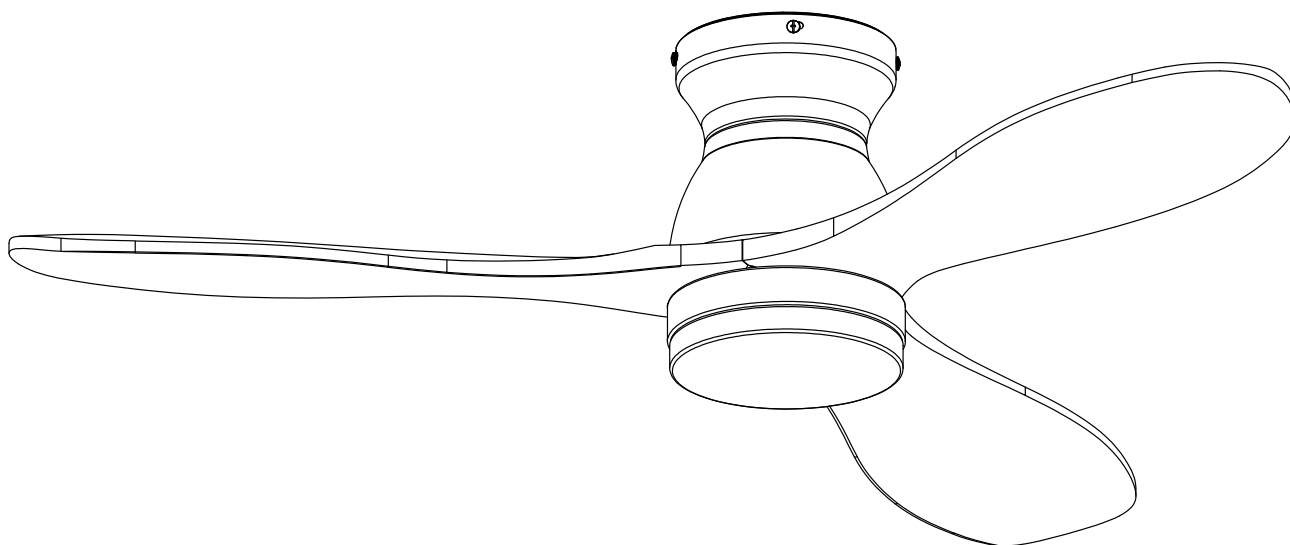


Ceiling Fan

Instruction Manual

Model No. : QH1326-42
QH1326-52



Installation Video



APP Connection

Read and save these instructions

PREPARATION

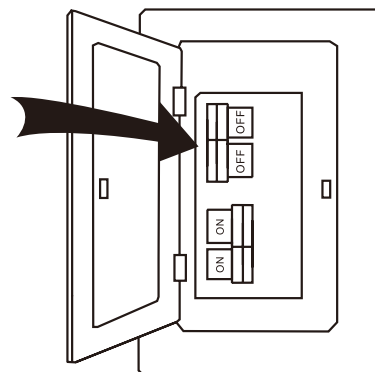
1

Turn off Your Power

Begin installation by removing fuses or turning off circuit breakers to the wiring you will be using. Use your compatible UL listed junction box if you already have one installed.

Warning

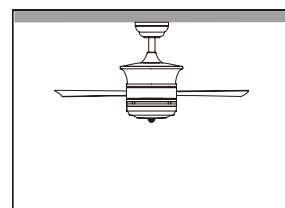
Failure to disconnect the power supply prior to installation may result in serious injury or death.



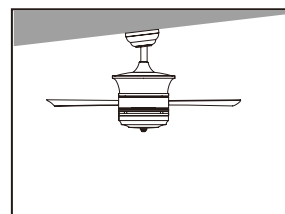
2

Choose Your Mounting Position

If you need to install a new UL listed junction box, secure it directly to your building's structure using appropriate fasteners and materials. **DO NOT** use plastic boxes. The junction box and its supports **MUST** be able to support the **MOVING** weight of the fan (at least 50 lb. or 23 kg) and be rated for fan support. The junction box should create a level surface for the fan that is **NOT** sloped greater than 10 degrees from horizontal in any direction.



Use **ONLY** on Flat Ceilings ($\pm 10^\circ$)

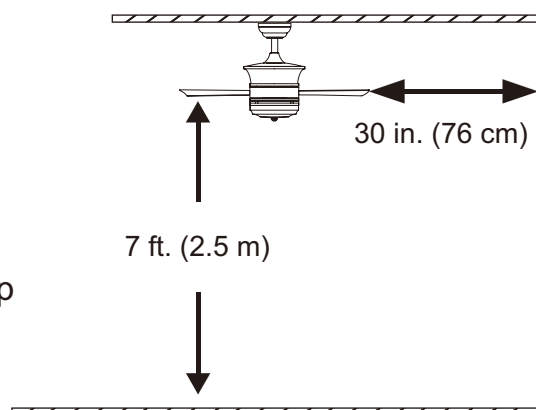


DO NOT Use on Steep Slopes

3

Choose a Suitable Location

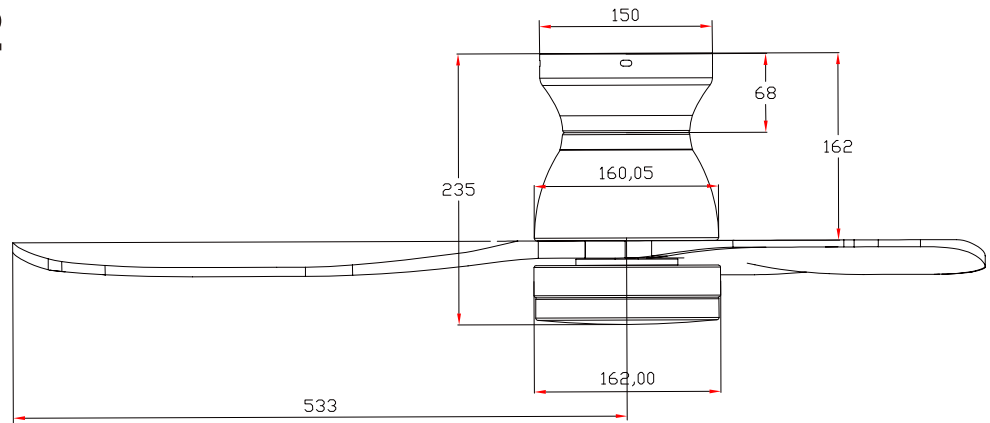
Ensure the blades will be at least 30 inches (76 cm) from any obstruction and at least 7 feet (2.5 m) above the floor. In locations without a ceiling joist, a hanger support bar may be required. **DO NOT** install in damp locations.



FAN SPECIFICATIONS

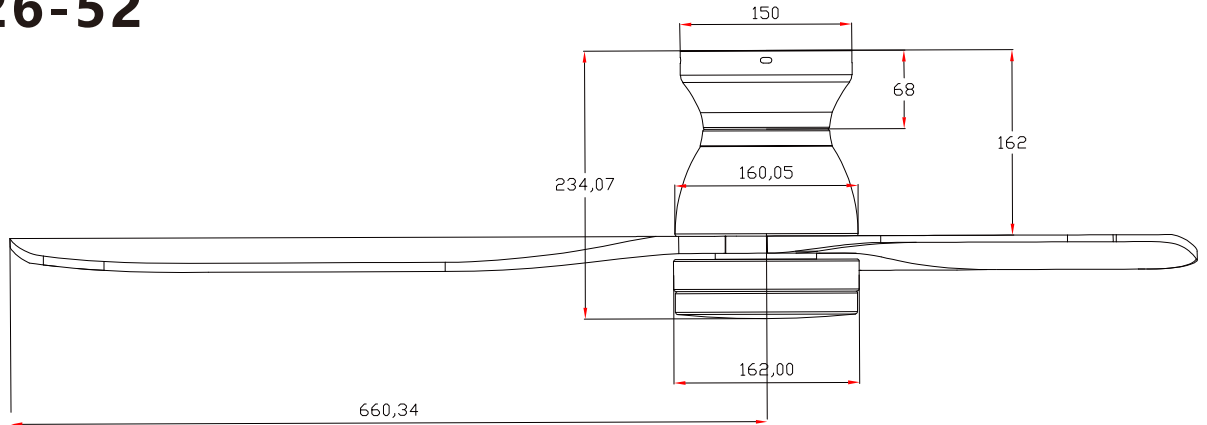
QH1326-42

(1=1mm)



QH1326-52

(1=1mm)



CONTACT INFORMATION We want to hear from you!

Feel free to contact us if you have any problems using our product(s) or would like to know more about our brand.

We will be more than happy to provide you with first class pre-sales & after-sales service 24*7.

E-mail: Cumilo-ceilingfan@foxmail.com

For any problems about this product, you can contact this email

SAFETY RULES



WARNING

SAFETY INFORMATION:

1. Do not install the fan with wet hands.
2. Keep children away from your working area.
3. Do not insert foreign objects between the rotating fan blades.
4. Do not bend the fan blades when installing or cleaning the fan.
5. Do not disassemble or modify this product or use non-original parts without permission.
6. Make sure that the installation location allows the fan blades to rotate without obstacles.
7. To reduce the risk of personal injury, attach the fan directly to the building's support structure.
8. To reduce the risk of fire or electric shock turn off the power to the fuse box or circuit breaker before installing the fan.
9. Before connecting the power supply, make sure that the power supply used matches the specifications of the ceiling fan.
10. All wiring must comply with national and local electrical codes ANSI/NFPA70. If you are not familiar with wiring, please use a qualified electrician.
11. Properly dispose of the fan's packaging material. Make sure the ceiling fan is firmly secure to the ceiling. Double check all connections before you restore power. Turn off the fan and wait for the blades to stop completely before performing any maintenance or cleaning.
12. Using power supply 120V/60Hz.

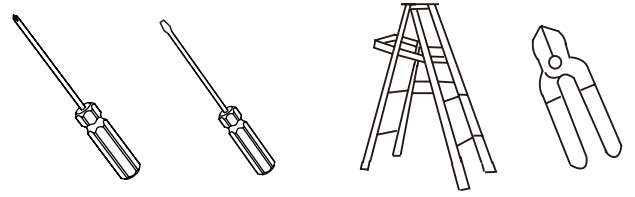
CONTENTS

SAFETY RULES	03
TOOLS AND MATERIALS REQUIRED	04
MOUNTING OPTIONS	04
PACKAGE CONTENTS	05
ATTACHING THE FAN BLADES	06
ATTACHING THE LED LIGHT KIT	06
HANGING THE FAN	07
MAKE THE ELECTRICAL CONNECTIONS	08
INSTALLATION OF SAFETY SUPPORT	09
FINISHING THE INSTALLATION	10
LEARNING PROCESS	10
ADDING EXTRA REMOTE (OPTIONAL)	10
OPERATING YOUR TRANSMITTER	11
SMART APP CONNECTION INSTRUCTION	12
APP CONTROL MANUAL	13
TROUBLESHOOTING	14

TOOLS AND MATERIALS REQUIRED

- Philips screw driver
- Blade screw driver
- Step ladder
- Wire cutters

*The above tools are not included in the package and must be prepared separately.



MOUNTING OPTIONS

If there isn't an existing CUL listed mounting box, then read the following instructions. Disconnect the power by removing fuses or turning off circuit breakers.

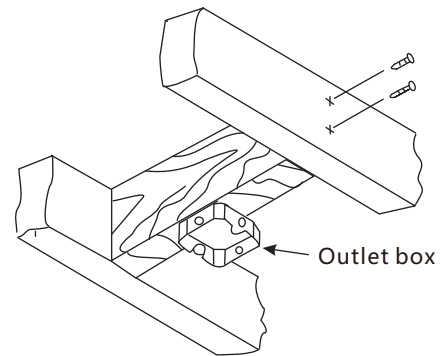


Figure 1

Secure the outlet box directly to the building structure. Use appropriate fasteners and building materials. The outlet box and its support must be able to fully support the moving weight of the fan (at least 50 lbs). Do not use plastic outlet boxes.

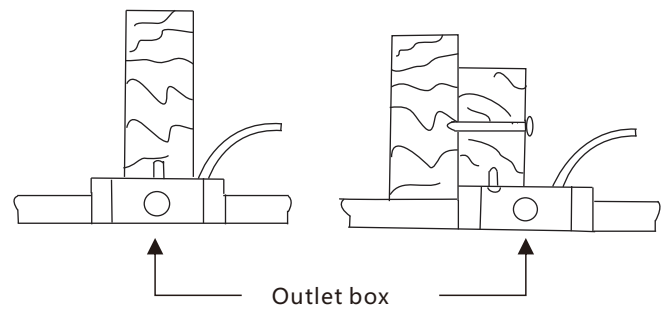


Figure 2

Figures 1, 2 and 3 are examples of different ways to mount the outlet box.

Note: You may need a longer downrod to maintain proper blade clearance when installing on a steep, sloped ceiling. (Fig. 3)

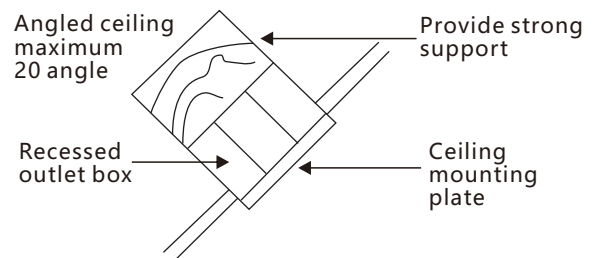


Figure 3

To hang your fan where there is an existing fixture but no ceiling joist, you may need an installation hanger bar as shown in (Fig.4)

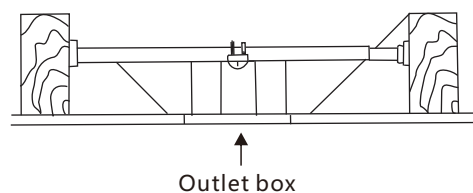
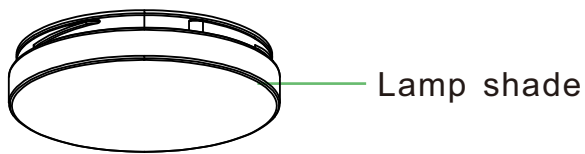
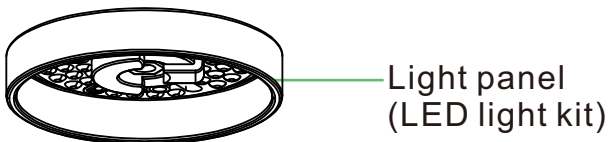
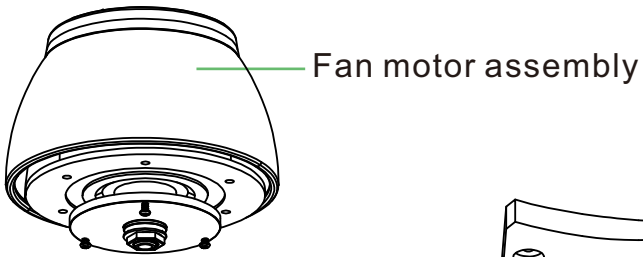
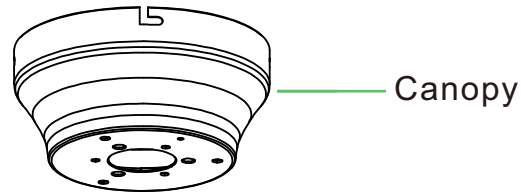
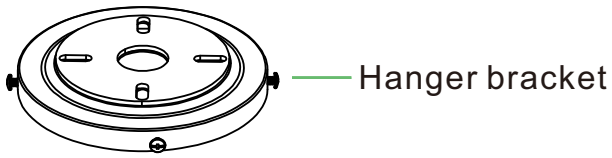


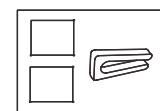
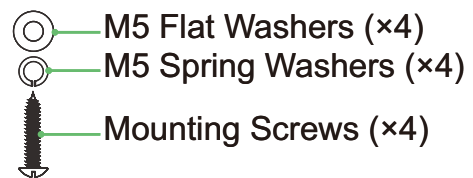
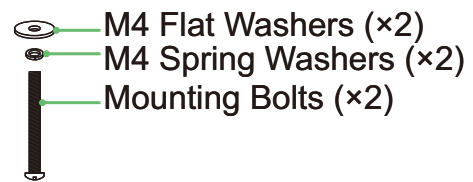
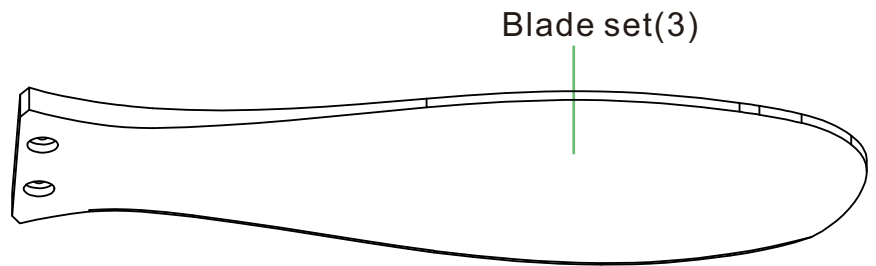
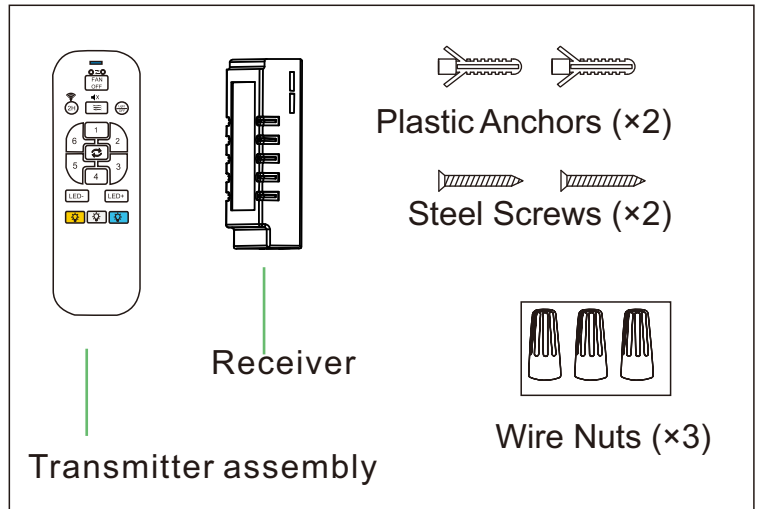
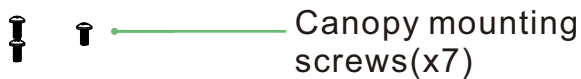
Figure 4

PACKAGE CONTENTS

Unpack your fan and check the contents.
You should have the following items:



Safety cable (steel wire)



Balancing Kit

ATTACHING THE FAN BLADES

Secure the blade to the fan motor assembly using the blade screws and blade screw washers.

Note: Please follow the instruction manual and make sure to use correct screws during the installation process.(Fig.5)

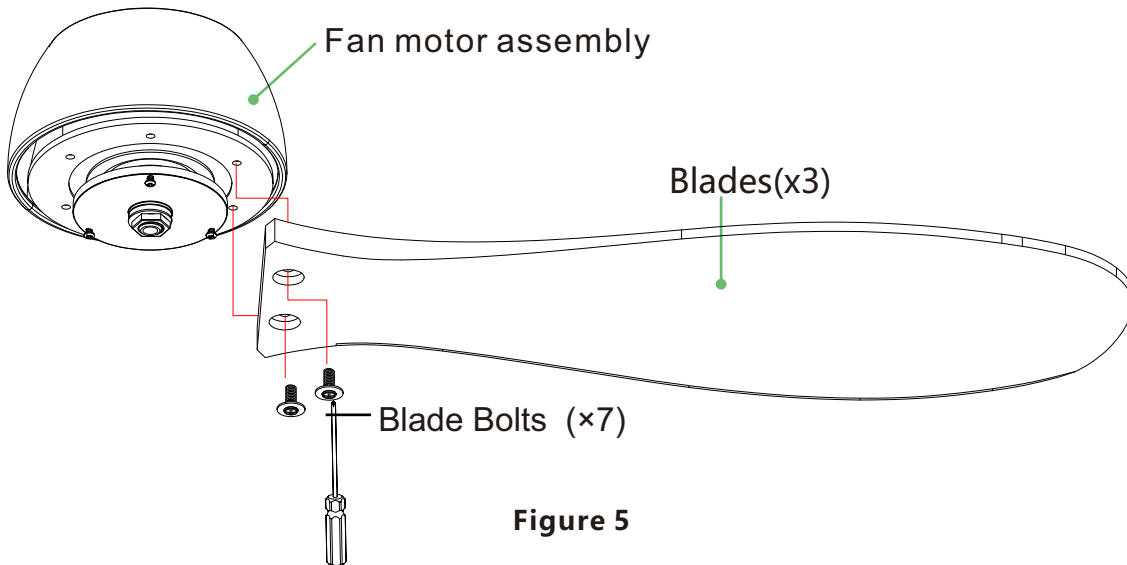


Figure 5

ATTACHING THE LED LIGHT KIT

Step 1. Remove 3 screws from light kit adapter. (Do not discard)
(Fig. 6)

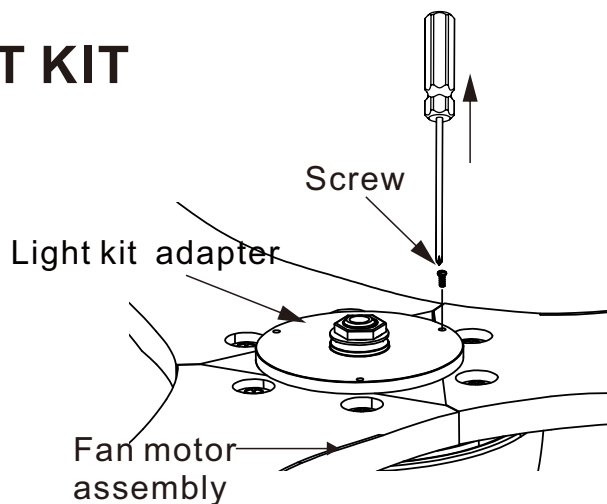


Figure 6

Step 2. Pull the light wire from motor through the hole of light kit. Connect the plug as drawing.
(Fig 7)

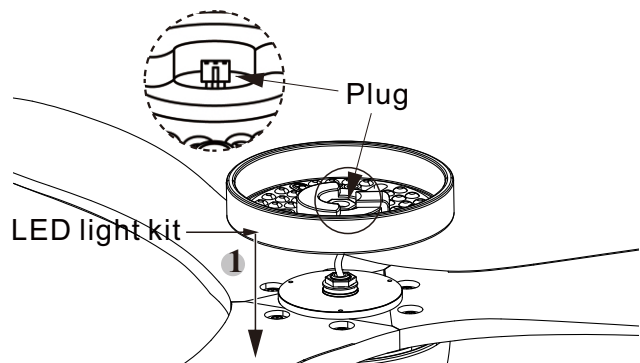


Figure 7

Step 3. Tighten the 3 screws previously removed in step 1 (Fig.8)

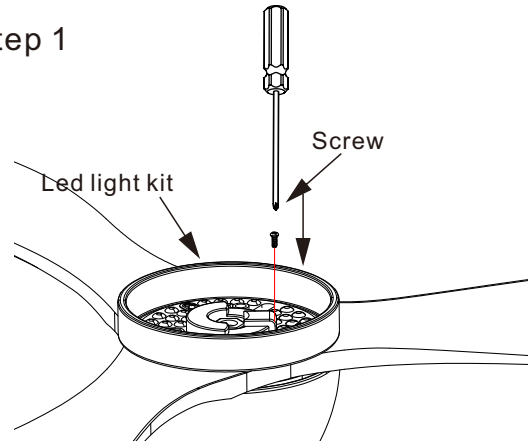


Figure 8

HANGING THE FAN

REMEMBER to turn off the power. Follow the steps below to hang your fan properly :

Step 1.

a. Loosen the hex screws on the canopy kit and remove the two screws at non-slotted positions (Fig. 9a).

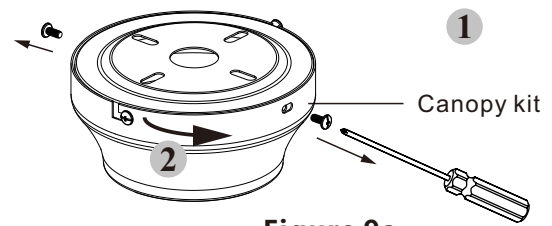


Figure 9a

b. After removing the screws, rotate the hanger bracket counterclockwise to separate it from the canopy. (Fig. 9b)

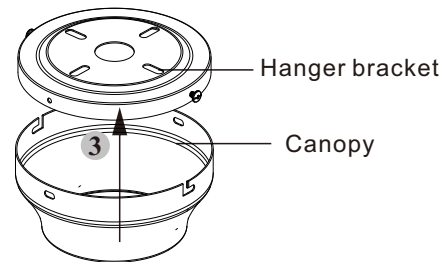


Figure 9b

Step 2. Pass the 120-volt supply wires through the center in the ceiling hanger bracket as shown in (Fig. 10)

Step 3. Secure the hanger bracket to the ceiling outlet box with the screws and washers provided.

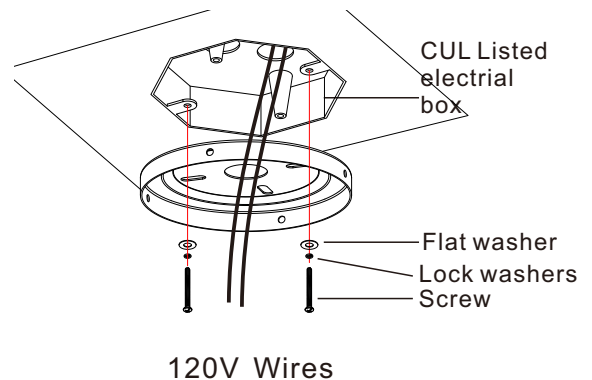


Figure 10

Step 4. Thread the fan-motor wires through the canopy. Align the six mounting holes with those on the motor keep the three larger holes over the pre-installed screw heads then secure everything with the supplied canopy screws, structural doubler and safety cable (Fig. 11)

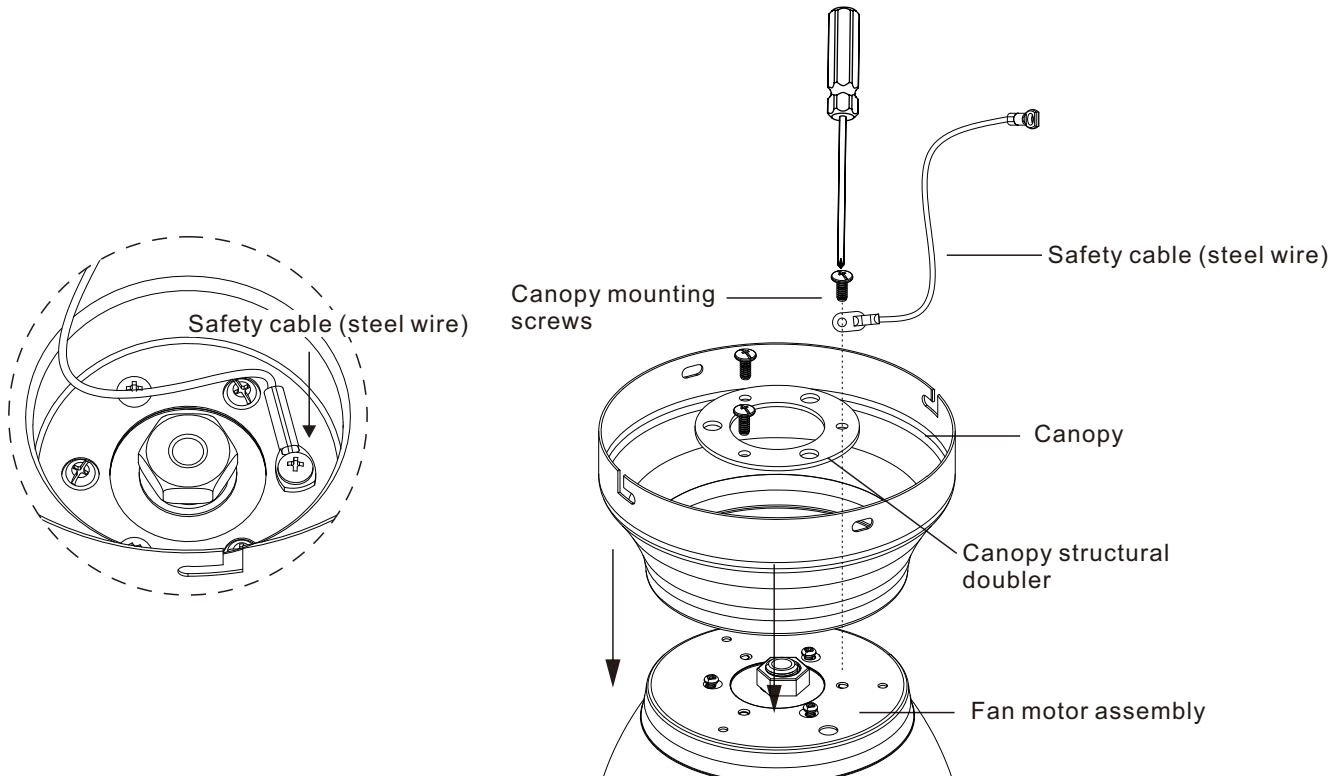


Figure 11

MAKE THE ELECTRICAL CONNECTIONS

Snap the carabiner (snap-hook) of the safety cable onto the hook of the hanger bracket, then proceed to the next step.(Fig.12)

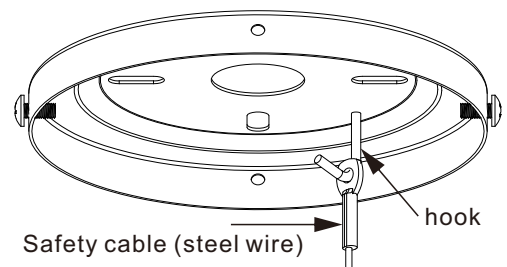


Figure 12

WARNING: To avoid possible electrical shock, be sure electricity is turned off at the main fuse box before wiring.

Step 1. (Fig. 13) Insert the receiver into the hanger bracket with the flat side of the receiver facing the ceiling.

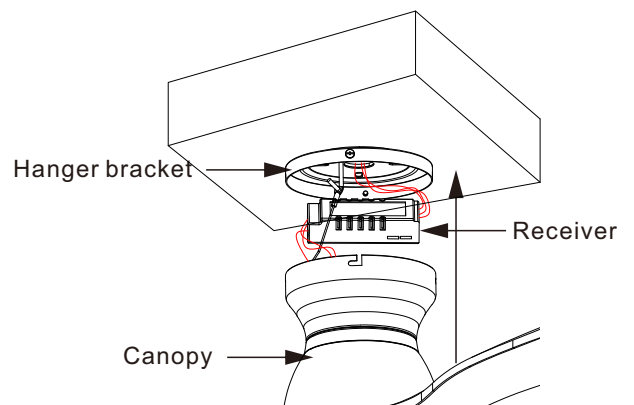


Figure 13

Motor to Receiver Electrical Connections:(Fig.14)

Fan Motor Wiring:

Connect the **motor's wire plugs** (yellow, red, and gray wires) to the **matching-colored plugs** on the receiver.

LED Light Wiring:

Connect the **LED light's wire plugs** (black, white, and red wires) to the **matching-colored plugs** on the receiver.

Step 2. (Fig.14) Receiver to House Supply Wires Electrical Connections:

Connect the Black (hot) wire from the ceiling to the black wire marked "AC in L" from the receiver. Connect the white (neutral) wire from the ceiling to the white wire marked "AC in N" from the Receiver. Secure the wire connections with the plastic wire nuts provided.

Step 3. (Fig.14) If your outlet box has a ground wire (green or bare copper) connect it to the fan ground wires and the receiver ground wire; otherwise connect the hanging bracket ground wire to the fan and the receiver ground wire. Secure the wire connection with a plastic nut provided. After connecting the wires, spread them apart so that the green and white wires are on one side of the outlet box and other wires are on the other side. Carefully tuck the wire connections up into the outlet box.

Note: Fan must not be installed at too far a distance from the transmitting unit for proper signal transmission between the transmitting unit and the fan's receiving unit.

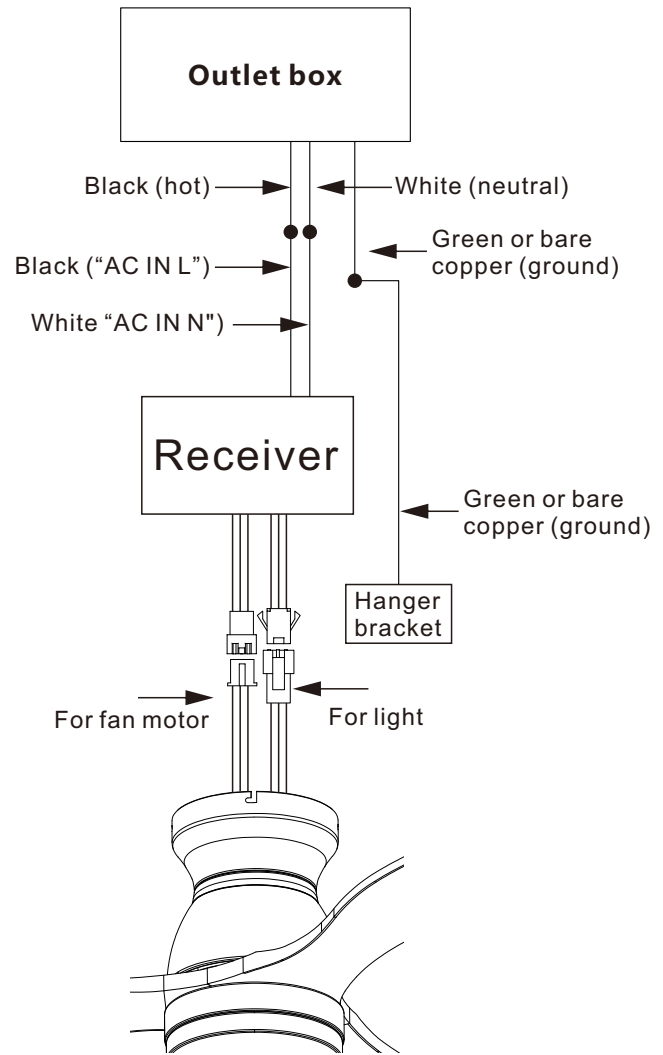


Figure 14

INSTALLATION OF SAFETY SUPPORT

A safety cable is provided to prevent the fan from falling. Secure the safety cable to the ceiling joist with screw and washer, as illustrated in (Fig.15)

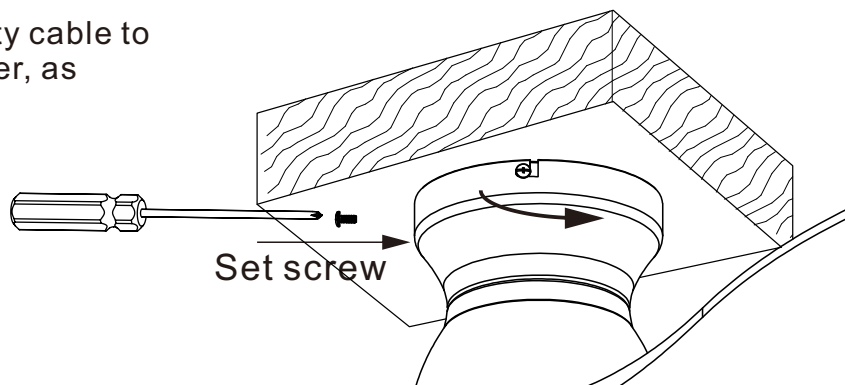


Figure 15

FINISHING THE INSTALLATION

Install light shade up against light kit plate and secure it to the fan by turning the light shade clockwise until snug. (DO NOT OVERTIGHTEN). (Fig.16)

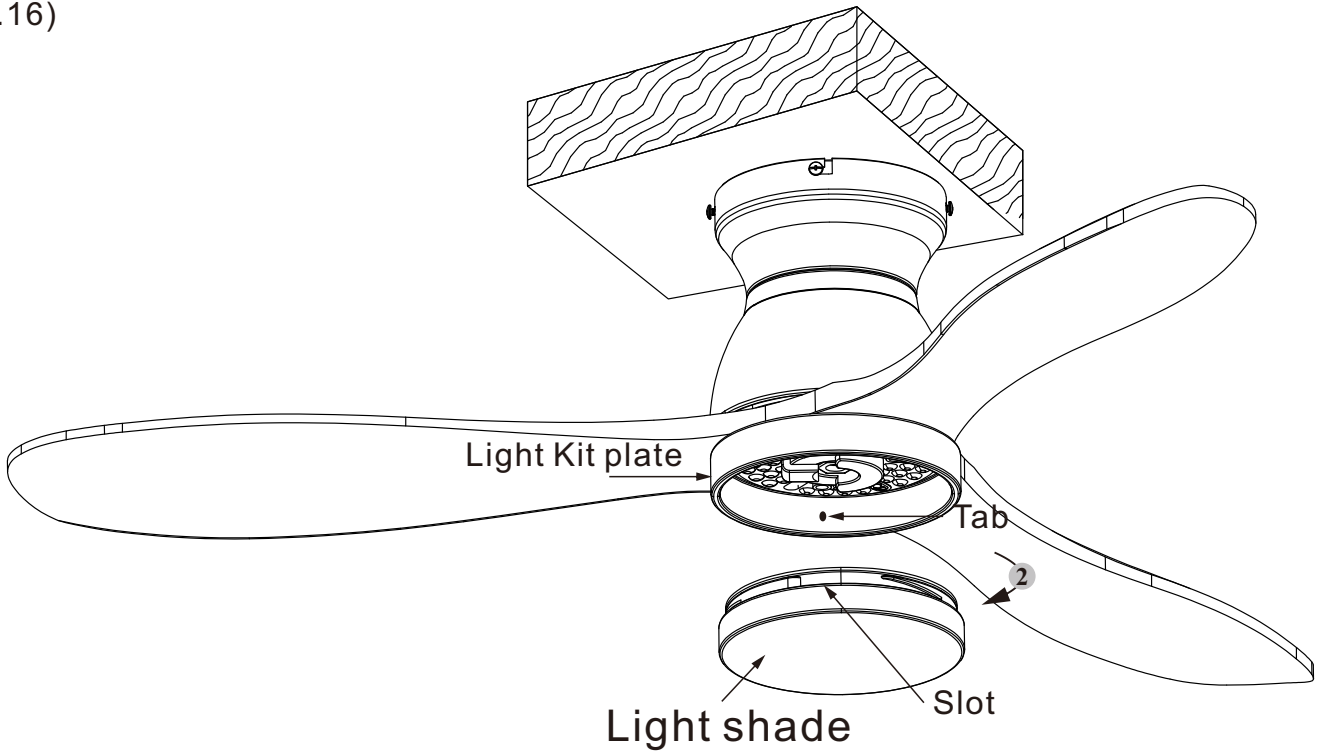



Figure 16

LEARNING PROCESS

The receiver and transmitter are already prepared with each other in the production process, however, if you find the fan is not operating properly or there is interference from another fan, you can pair by the following actions.

Within 10 seconds of turning on the power, press the “ FAN OFF” key on the transmitter for 5 seconds, the fan will beep, indicating the transmitter and fan are now paired and ready to operate. (Fig.17)

Note: If you have more than one fan in close proximity, you will need to make sure the power to the other fan is off when doing this learning process. Otherwise, you may get interference between the two fans.

10a. ADDING EXTRA REMOTE (OPTIONAL)

Turn main power to the fan off and repeat learning process above using the new remote.

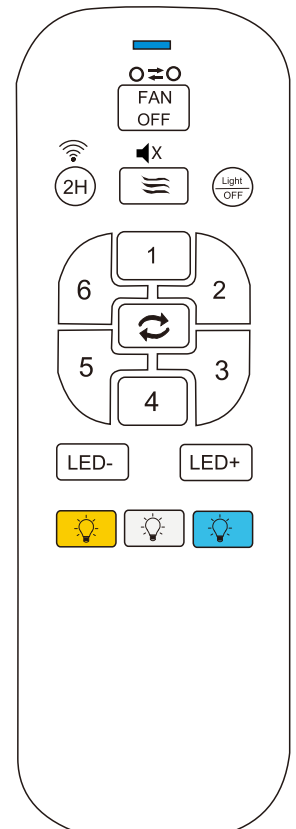
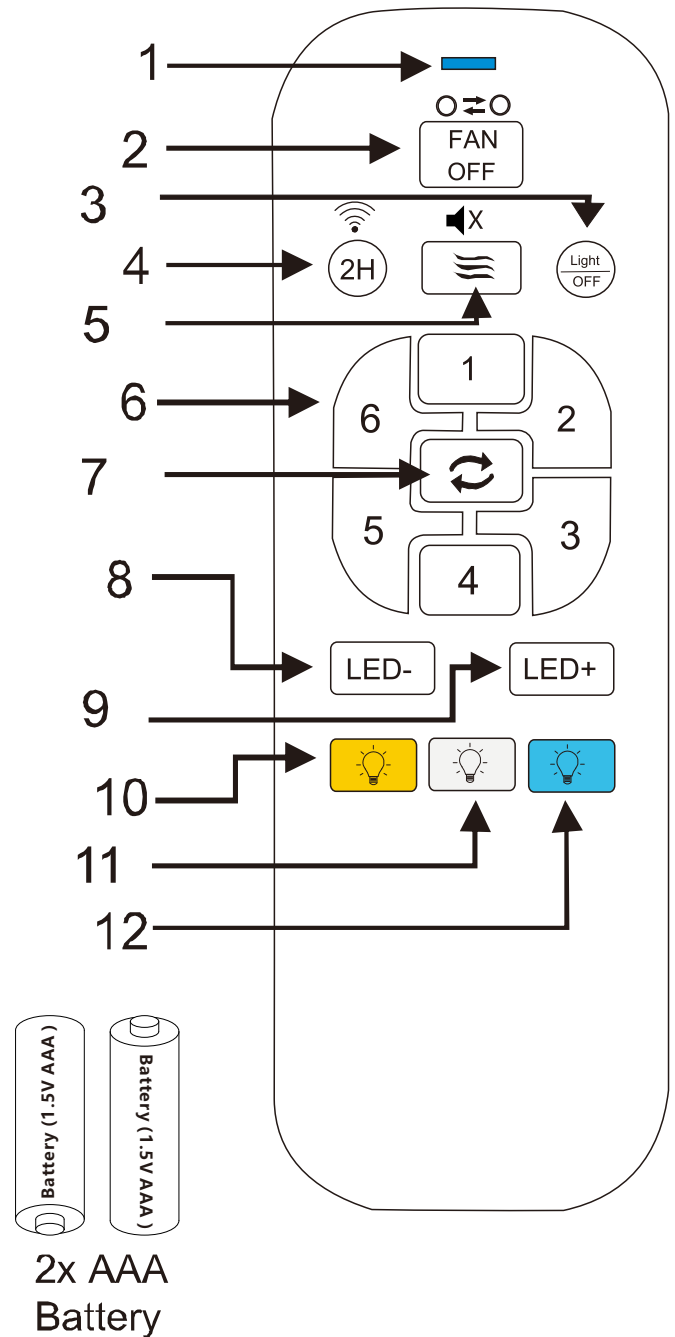


Figure 17

OPERATING YOUR TRANSMITTER

1. LED light indicator.
2. Fan OFF button.
(Long press to pair the emitter and receiver)
3. Light OFF button.
4. 2H Timer (Short press)
WiFi connect (Long press)
5. Natural Wind: (Short press) Fan speed repeat cycle from 1 to 6.
(Long press the natural wind key: turn off or turn on the beep sound.)
6. Speed control button:
Speed 1 (Slowest)
Speed 2
Speed 3
Speed 4
Speed 5
Speed 6 (Fastest)
7. Forward/Reverse switch.
Warm weather-(Forward) A downward airflow creates a cooling effect as shown in (Fig.18) This allows you to set your air conditioner on a warmer setting without affecting your comfort.
Cool weather-(Reverse) An upward airflow moves warm air off the ceiling area as shown in (Fig19)This allows you to set your heating unit on a cooler setting without affecting your comfort.
8. LED light dim down brightness.
9. LED light dim up brightness.
10. Warm white light ON button.
11. Natural white light ON button.
12. Cool white light ON button.



Tips:

1. When the transmitter can't remotely control the receiver, please check if the switch battery contact is normal, whether the positive and negative poles are placed correctly, and the power is sufficient (the signal light can be seen as light or dark or flashing three times, please replace the battery, the two batteries must be the same brand).
2. When the transmitter cannot remotely control the receiver, please check if there are any remote control products in the vicinity, and check if their transmitter buttons are pressed, because the simultaneous transmission of the same frequency remote control products will cause interference and affect the reception. The effect of the wrong command will be normal if the remote control function is excluded.
3. Please do not use the product where children can play when using this product.
4. Please remove the battery from the remote control when not in use for a long time.

SMART CEILING FAN QUICK SETUP GUIDE

Linking method



01

Download Tuya Smart app & register for a Tuya account.

No devices

Add Device

02

Click "Add Device"



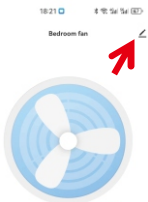
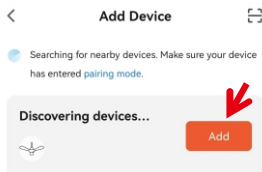
03

Requires for 2.4G network and turn on Wifi & bluetooth.

a- Turn the ceiling fan main switch power on and will hear a Beep sound then within 3 seconds press and hold the "2H" button on the remote.

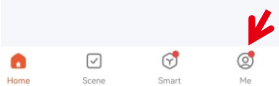
b- Wait until the receiver emitted 3x Beep sound then let go the button and the smart fan is now in pairing mode.

c- Waiting Tuya app discovering devices (the fan), click "Add". Follow the steps until the app shows "Done".



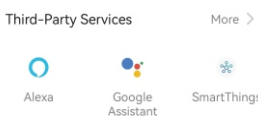
04

Click here to rename the smart ceiling fan so you can recognize it more easily.



05

Go back to the Tuya app Home page and tap "Me" in the bottom right corner of the screen.



09

Find "Third-Party Services (Alexa or Google Assistant)" and choose one that you want to connect to this smart ceiling fan, follow the steps to complete the linking of the Third-Party Service to the Tuya Smart, and then the smart fan is ready to use on the Third-Party Services.

Support use on Alexa app / Google Home app, and voice control by Alexa speaker/Google speaker.

Alexa/Google assistant Connection Instruction & Voice Command

Connection Instruction

1. Make sure you have connected the device to the app and working normally.
2. Open "Tuya" app, click "Me", and choose "Alexa" or "Google Assistant" on "Third-Party Services".
3. Click "Link to Amazon Alexa" / "Link to Google Assistant".

Note:

- (1) Connect the device to the App recommend to turn on WIFI and Bluetooth on your phone.
- (2) This ceiling fan needs to use 2.4Ghz WIFI to work when you connecting the device.

Common Voice Command:

Tips: 1. Please use in English

2. Please name the lamp and the fan differently.

3. Please say the voice command clearly and slowly.

Alexa Command:

Light Switch	"Alexa, turn on <Device Name-1> light" "Alexa, turn off <Device Name-1> light"
Color Temperature Setting	"Alexa, set/make the < Device Name-1 > light warmer/cooler/softer/whiter" "Alexa, set/make the < Device Name-1 > light to warm white / soft white /white / daylight white / cool white."
Brightness Setting	"Alexa, set/make the < Device Name-1 > light to 50% brightness." (1-100% any number) "Alexa, brighten < Device Name-1 > light." "Alexa, dim < Device Name-1 > light."
Fan Power	"Alexa, turn on <Device Name-2> fan" "Alexa, turn off <Device Name-2> fan"
Wind Speed Level Setting	"Alexa, set the < Device Name-2 > speed to 5 (Speed-1 to Speed-6)" "Alexa, increase / decrease the < Device Name-2 > speed." "Alexa, what's the < Device Name-2 > speed?"
Forward/ Reverse	"Alexa, set/turn the < Device Name-2 > to forward (summer) / reverse (winter)."

Google Command:

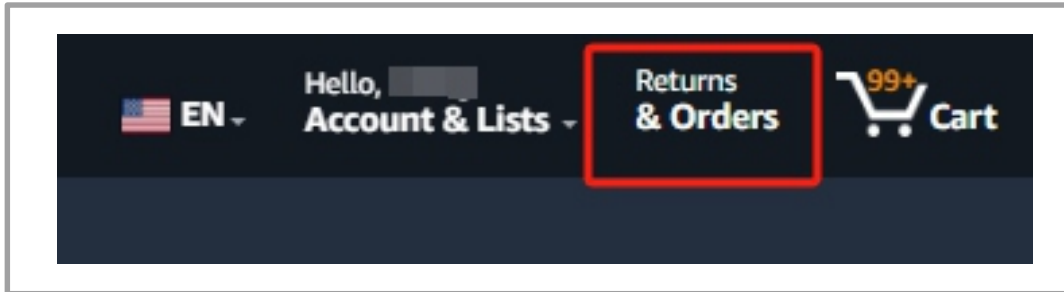
Light Switch	"Hey Google/Ok Google, turn on <Device Name-1> light" "Hey Google/Ok Google, turn off <Device Name-1> light"
Color Temperature Setting	"Hey Google / Ok Google, set/change the <Device Name-1> light to Ultrawarm white / Warm white / Cool white / Cool daylight / Daylight / Antique white / Cold sky / Bright daylight. "
Brightness Setting	"Hey Google / Ok Google, set < Device Name-1> light to 50% brightness.(1-100% any number) "Hey Google / Ok Google, set <Device Name-1> light brightness to 100%."(1-100% any number) "Hey Google / Ok Google, brighten < Device Name-1> light." "Hey Google / Ok Google, dim < Device Name-1>light."
Fan Power	"Hey Google / Ok Google, turn on <Device Name-2> fan" "Hey Google / Ok Google, turn off <Device Name-2> fan"
Wind Speed Level Setting	"Hey Google / Ok Google, turn / set <Device Name-2 > speed to 5 (Speed-1 to Speed-6)." "Hey Google / Ok Google, increase / decrease <Device Name-2 > speed." "Hey Google / Ok Google, what's the <Device Name-2 > speed?"
Forward/ Reverse	"Hey Google / Ok Google, set/change the < Device Name-2 > fan to forward / reverse" "Hey Google / Ok Google, set/change the <Device Name-2> fan to summer/ winter"

TROUBLESHOOTING

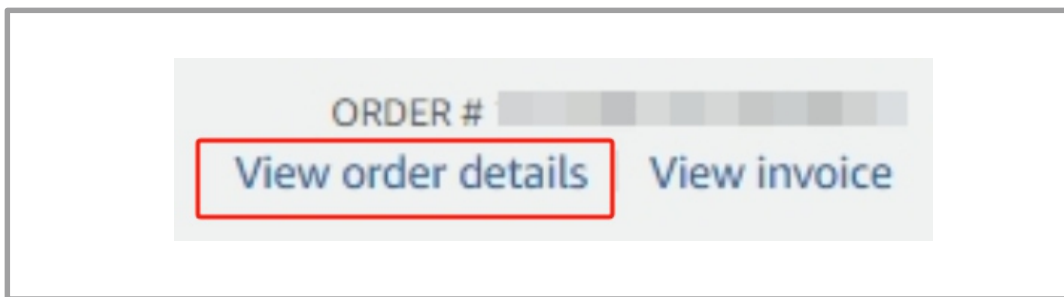
Problem	Solution
Fan will not start.	<ol style="list-style-type: none">1. Check circuit fuses or breakers2. Check all electrical connections to insure proper contact. CAUTION: Make sure the main power is OFF when checking any electrical connection.
Fan sounds noisy.	<ol style="list-style-type: none">1. Make sure all motor housing screws are snug.2. Make sure the screws that attach the fan blade brackets to the motor are tight.3. Make sure wire nut connections are not rubbing against each other or the interior wall of the switch housing. CAUTION: Make sure main power is off.4. Allow a 24-hour "breaking-in" period. Most noise associated with a new fan disappear during this time.5. If using an optional light kit, make sure the screws securing the glassware are tight. Check that the light bulb is also secure.6. Some fan motors are sensitive to signals from solid-state variable speed controls. If you have installed this type of control, choose and install another type of control.7. Make sure the upper canopy is a short distance from the ceiling. It should not touch the ceiling.
Fan wobble.	<ol style="list-style-type: none">1. Check that all blade and blade arm screws are secure.2. Most fan wobbling problems are caused when blade levels are unequal. Check this level by selecting a point on the ceiling above the tip of one of the blades. Measure this distance. Rotate the fan until the next blade is positioned for measurement. Repeat for each blade. The distance deviation should be equal within 1/8".3. Use the enclosed Blade Balancing Kit if the blade wobble is still noticeable.4. If the blade wobble is still noticeable, interchanging two adjacent (side by side) blades can redistribute the weight and possibly result in smoother operation. WARNING: TO REDUCE THE RISK OF PERSONAL INJURY, DO NOT BEND THE BLADE ARM WHILE INSTALLING, BALANCING THE BLADES, OR CLEANING THE FAN. DO NOT INSERT FOREIGN OBJECTS BETWEEN ROTATING FAN BLADES.

CONTACT US

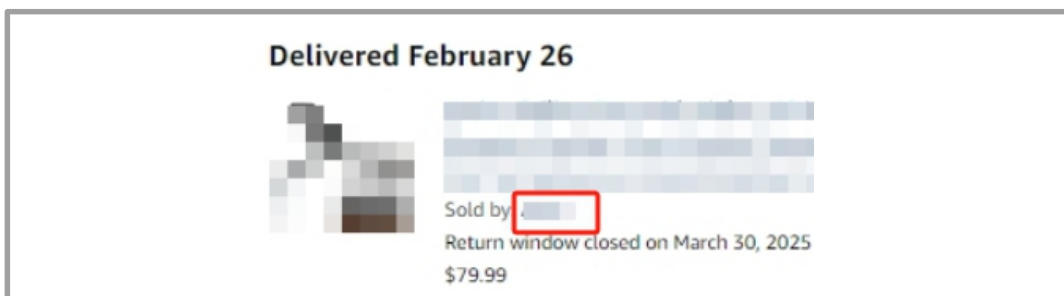
Feel free to reach out to our Customer Support via Amazon orders for any issues, or you can send inquiry to our official email address:
Cumilo-ceilingfan@foxmail.com



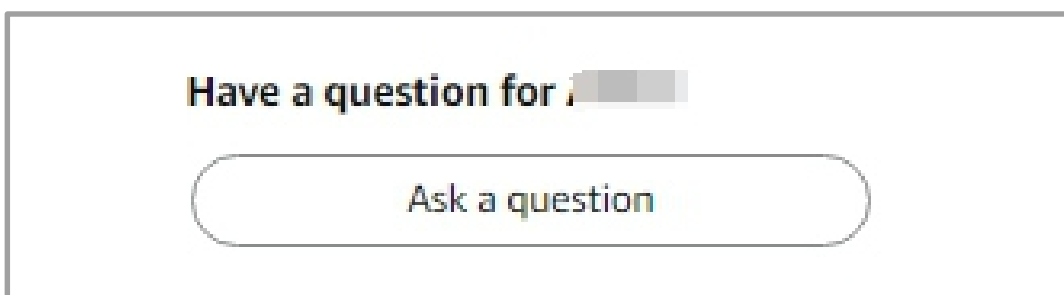
Step 1: Log into your Amazon.com account, click “**Returns&Orders**” on the top-right corner.



Step 2: Find your order in the list and click “**View order details**”.



Step 3: Click the “**Store Name**” following the Sold by, below the product title.



Step 4: Click the button “**Ask a question**”, on the top-right corner, to contact the seller.