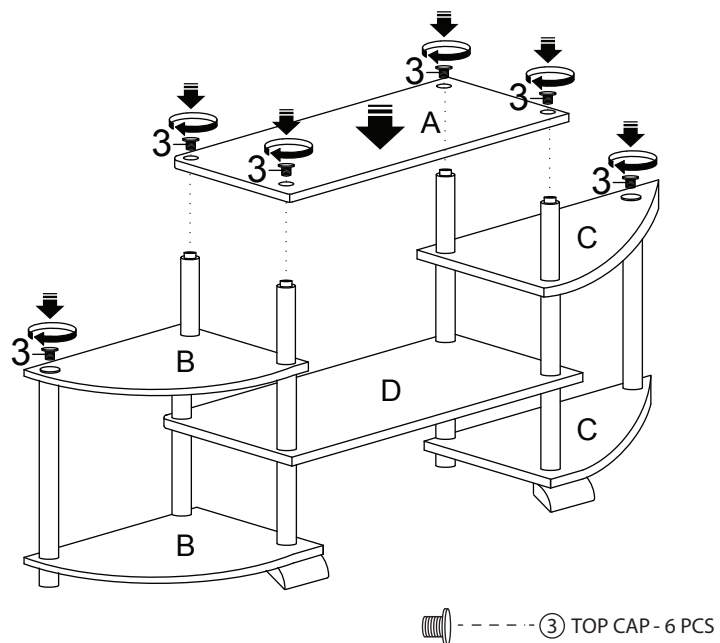
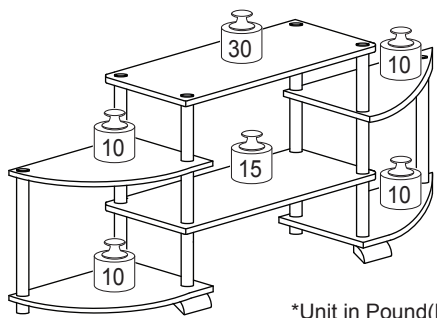


STEP 4

Attach Center Top Shelf Panel (A) and Cap (3) to assembled unit, as shown.



Recommended Maximum Weight

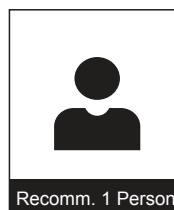
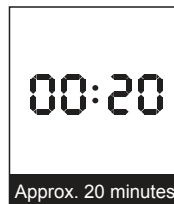


WARNING:

>This unit has been designed to support the maximum loads shown. Exceeding these load limits could cause sagging, instability, product collapse, and/or serious injury.

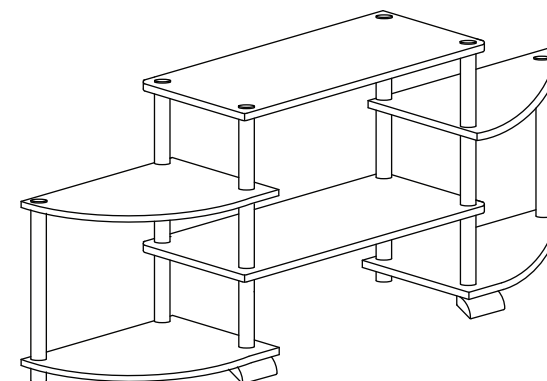
>DO NOT allow children to climb on unit.

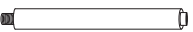
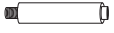



>Put heavier items on lower shelves.







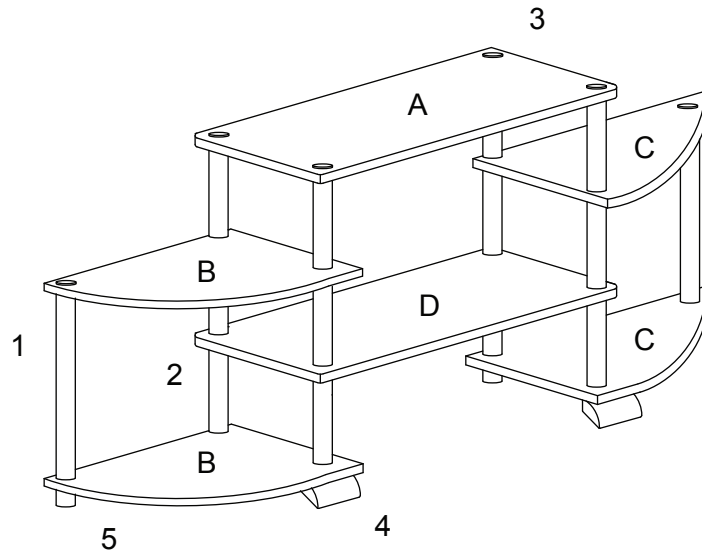
Assembly Instruction

Turn-N-Tube Round Corner
TV Entertainment Center



No	Hardware List	Qty
1	Long Pole 	2pcs
2	Short Pole 	12pcs
3	Top Cap 	6pcs
4	Front Feet 	2pcs
5	Round Leg 	4pcs

No	Parts List	Qty
A	Center Top Shelf Panel 	1pc
B	Left Side Panel 	2pcs
C	Right Side Panel 	2pcs
D	Center Bottom Shelf Panel 	1pc

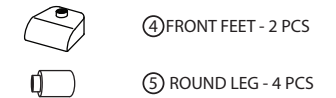
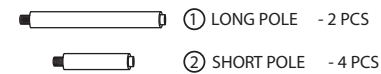
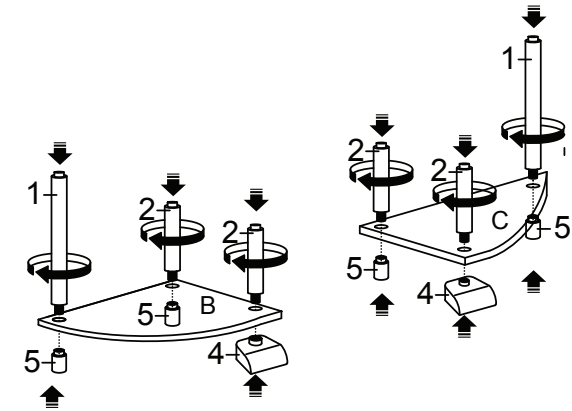


USEFUL HINTS BEFORE YOU START:

1. Read each step carefully before starting.
2. It is important that each step is performed in correct order to avoid difficulties.
3. Identify, sort and count the parts before assembly.
4. Assemble your furniture on packaging cardboard to prevent scratch or damage.
5. Clean the product with mild cleanser using soft damped cloth. Do not use harsh or abrasive cleanser.
6. Using incompatible hardware might cause damage to product.

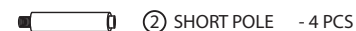
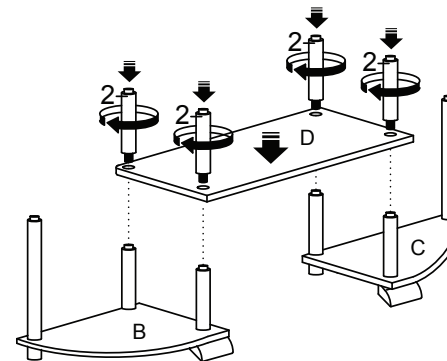
STEP 1

Attach Long Pole (1), Short Pole (2), Round Leg (5) and Front Feet (4) to L/R Side Panel (B/C), as shown.



STEP 2

Attach Center Bottom Shelf Panel (D) and Short Pole (2) to assembled unit in Step 1, as shown.



STEP 3

Attach L/R Side Panel (B/C) & Short Pole (2) to assembled unit in Step (2), as shown.

