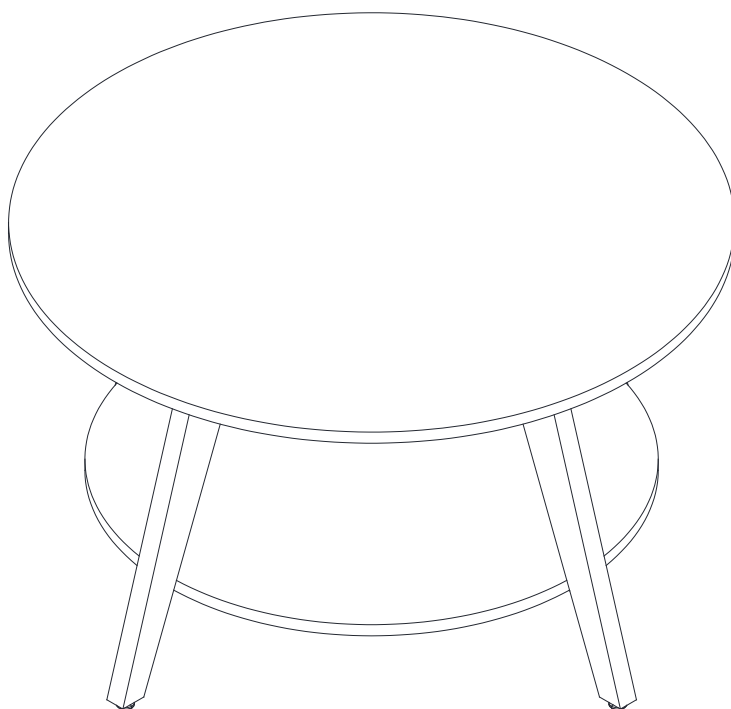


INSTALLATION MANUAL

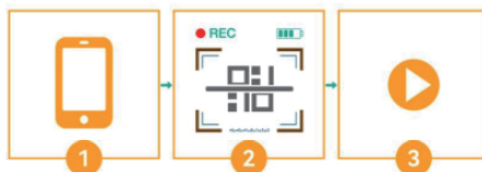


INSTALLATION VIDEO

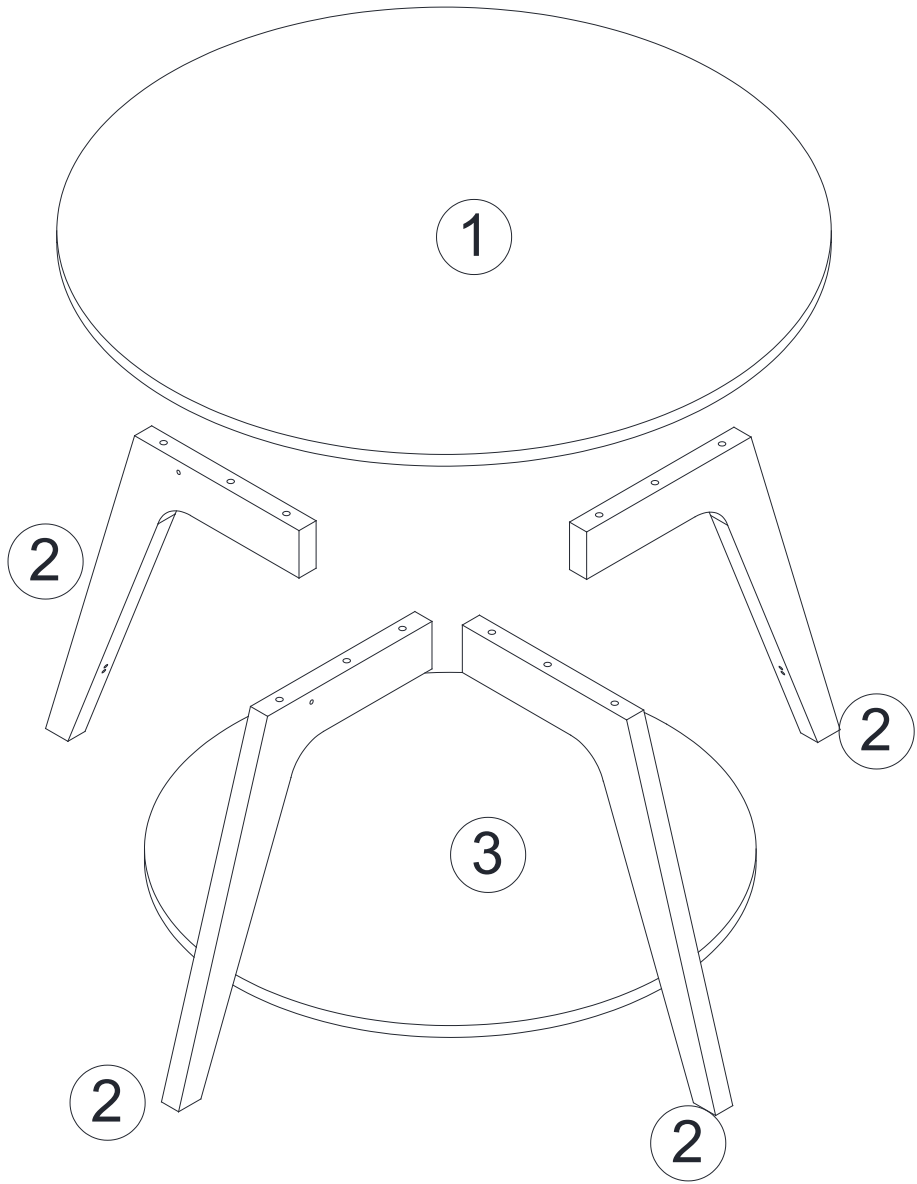
Please scan QR code with iPhone or Android phone camera, click the link to play the installation video.

If QR code is damaged, please contact us to get installation video.

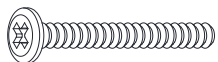
If no access for cell phone scanner, please try other APP.



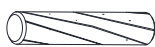
Thank you for purchasing the goods in our store this time
Please read this manual carefully before using it
Please keep this manual properly



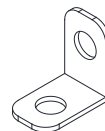
HARDWARE



A x 8



B x 4



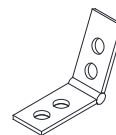
C x 4



D x 24

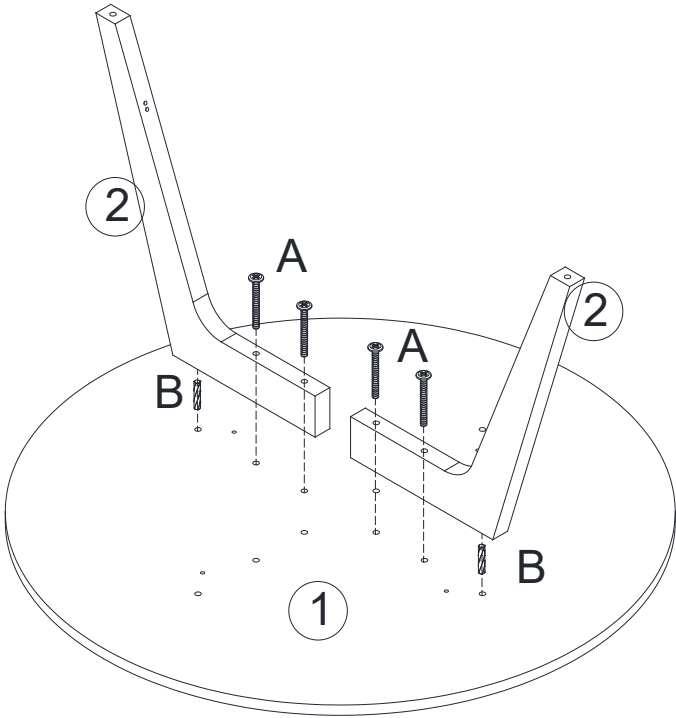


E x 4

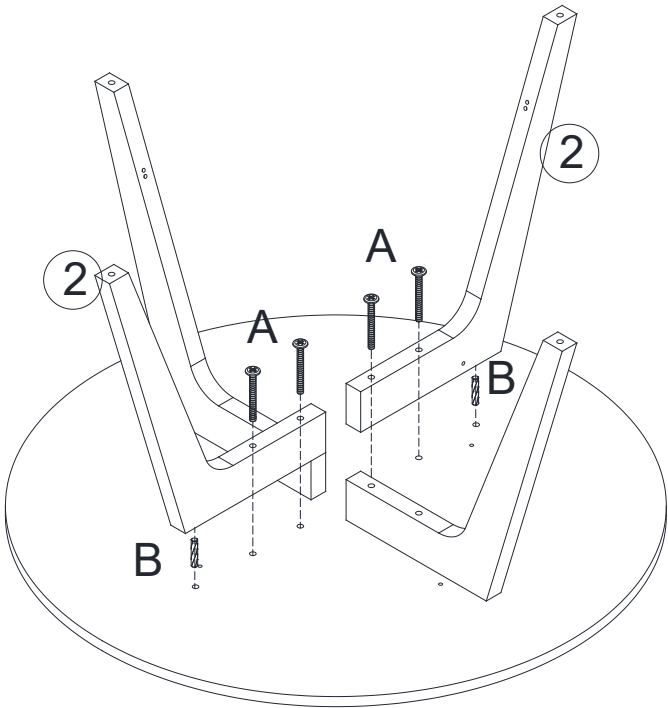


F x 4

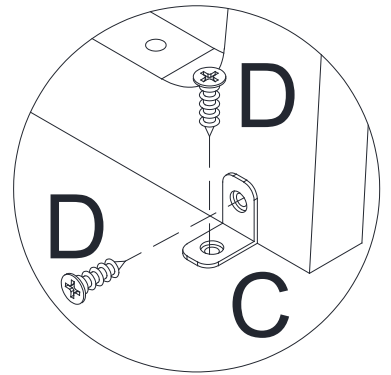
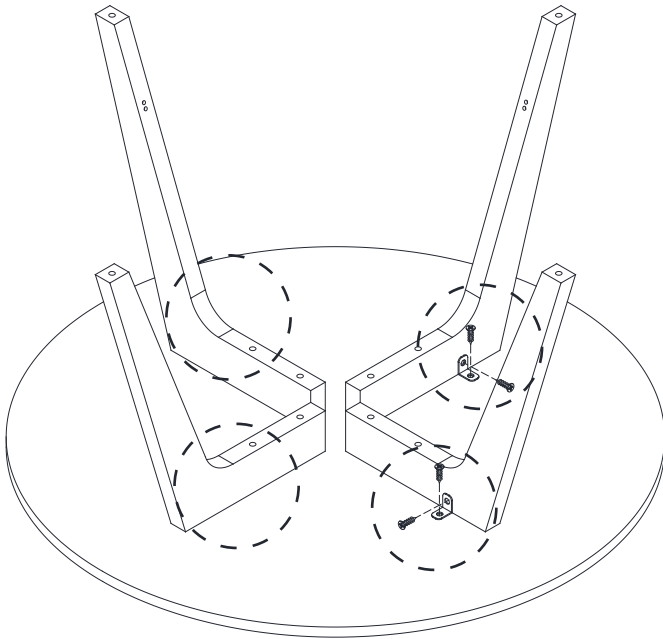
Step 01



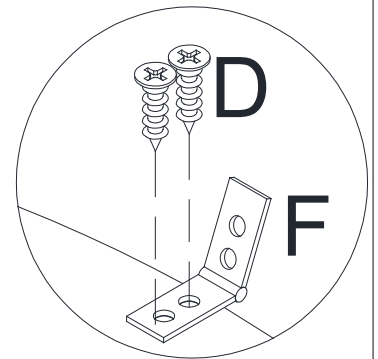
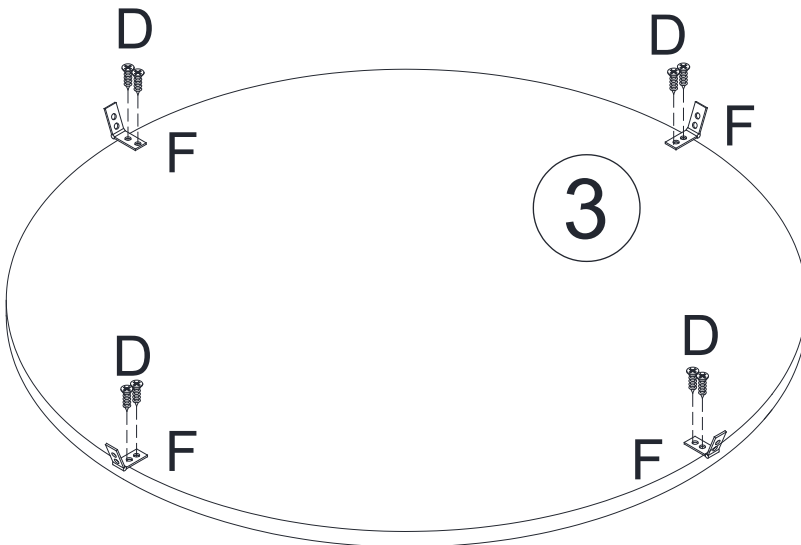
Step 02



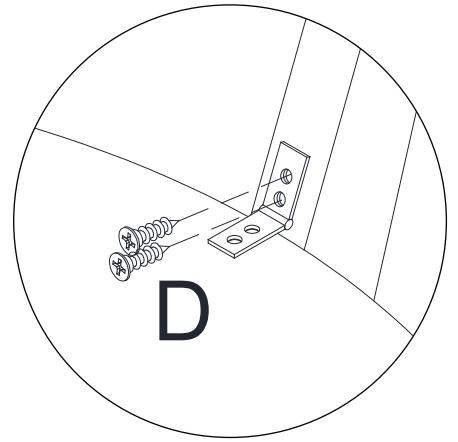
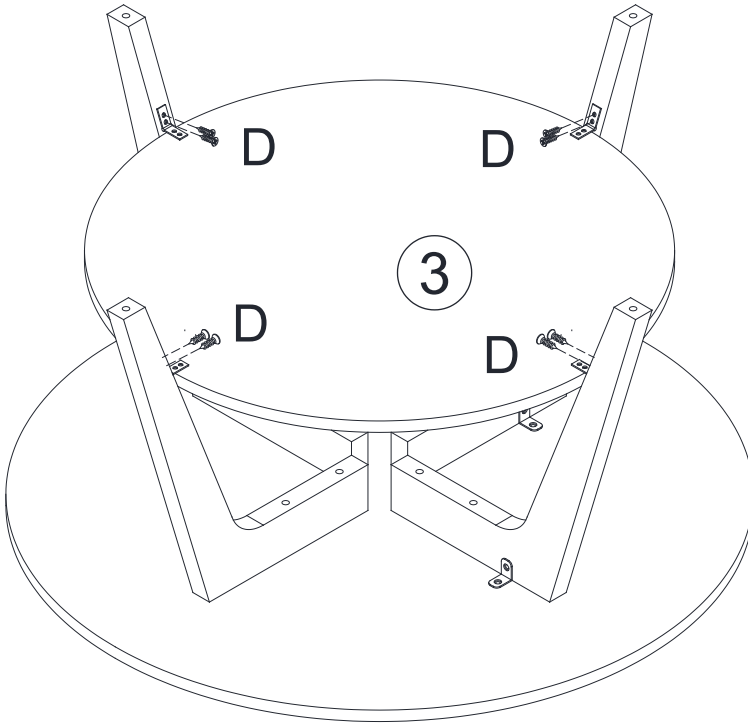
Step 03



Step 04



Step 05



Step 06

