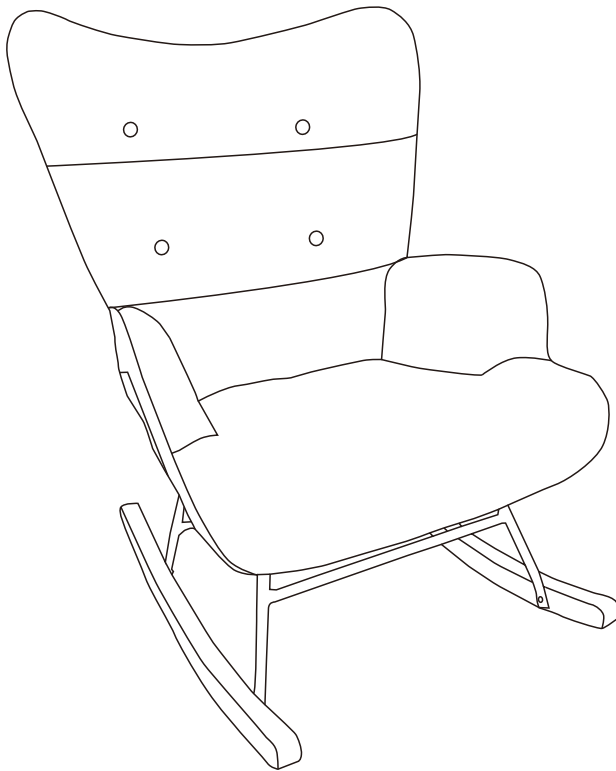
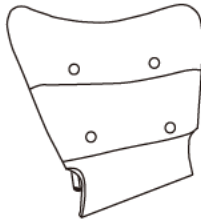

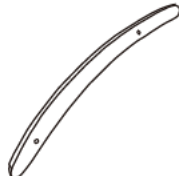
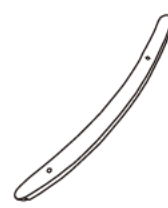
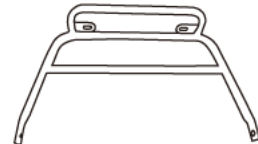








Rocking Chair

Assembly Insturction



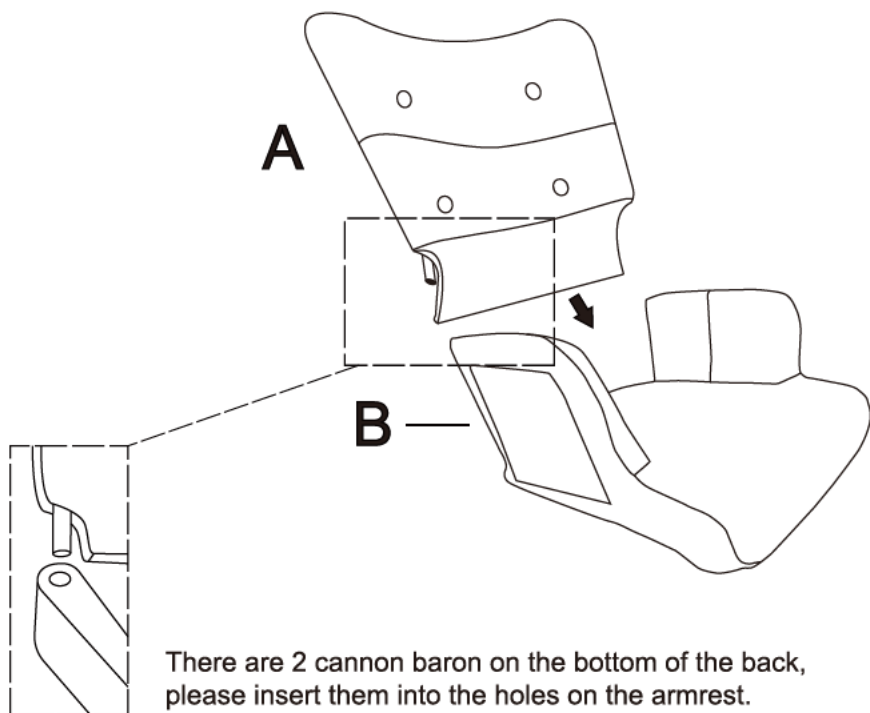
| | | |
|--|---|---|
| <p>A</p>  <p>x 1</p> | <p>B</p>  <p>x 1</p> | <p>C</p>  <p>x 1</p> |
| <p>D</p>  <p>x 1</p> | <p>E</p>  <p>x 1</p> | <p>F</p>  <p>x 1</p> |
| <p>G</p>  <p>x 2</p> | <p>H M6*16</p>  <p>x 4</p> | <p>I M6*25</p>  <p>x 4</p> |
| <p>J M6*60</p>  <p>x 2</p> | <p>K</p>  <p>x 1</p> | |

Attention :

1.screws should be only 50% tight.

2.after all the screws adjust the holes then tight screws 100% totally.

1



There are 2 cannon baron on the bottom of the back, please insert them into the holes on the armrest.

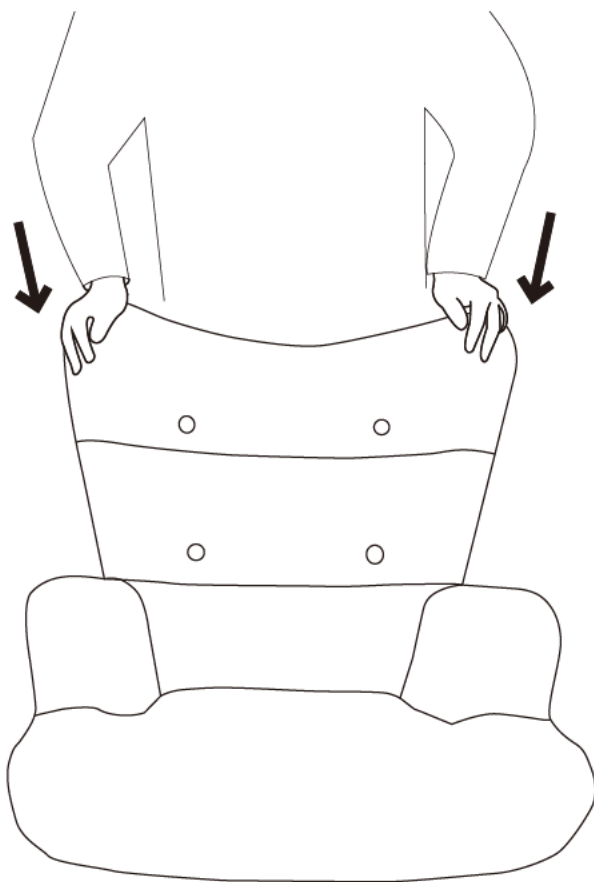
Attention :

1.screws should be only 50% tight.

2.after all the screws adjust the holes then tight screws 100% totally.

2

Hold the backrest
and press down



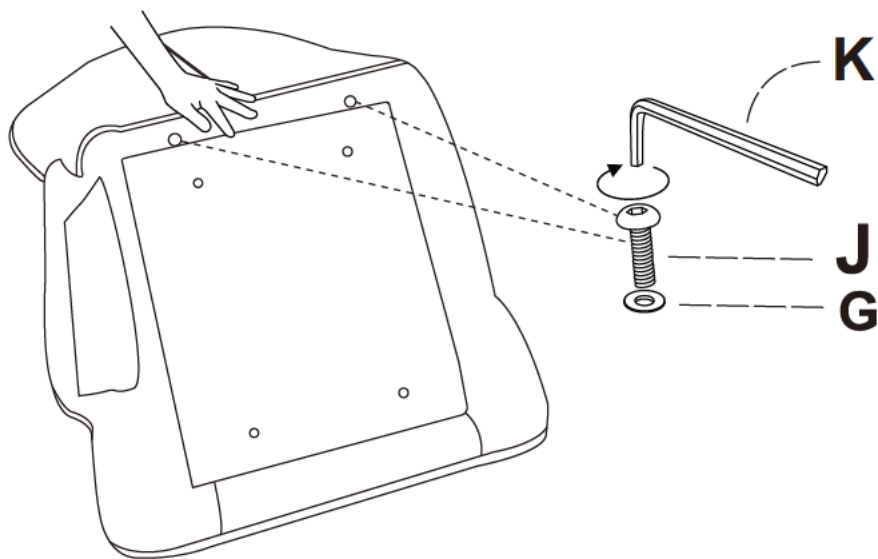
Attention :

1.screws should be only 50% tight.

2.after all the screws adjust the holes then tight screws 100% totally.

3

Make sure the back and the bottom tight fit,
then drew the screws in, then tighten.



X2

G  2PCS

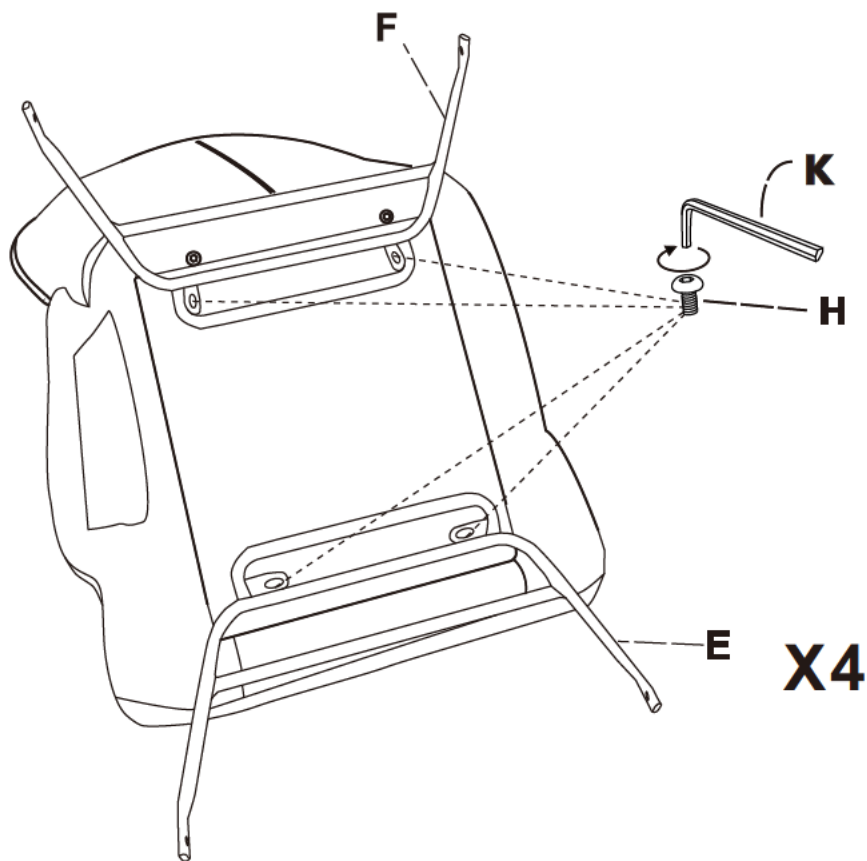
J  2PCS

Attention :

1.screws should be only 50% tight.

2.after all the screws adjust the holes then tight screws 100% totally.

4



H



4 PCS

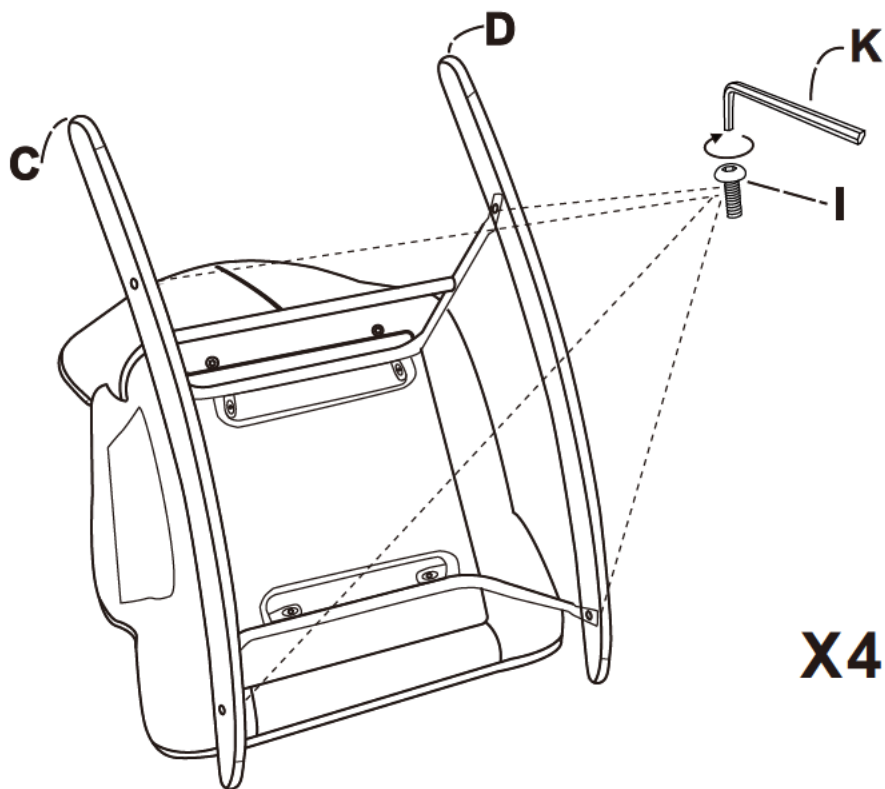
Attention :

1.screws should be only 50% tight.

2.after all the screws adjust the holes then tight screws 100% totally.

5

Make sure the longer side of C and D is facing the back of the chair.



4PCS