

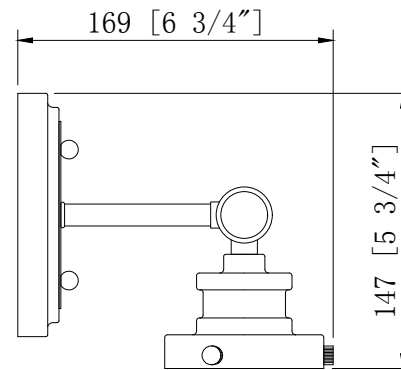
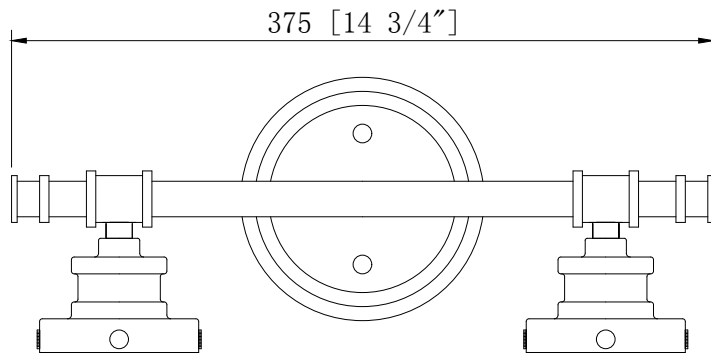
UL SPECIFICATION

- \* FIXTURE SHALL BE LISTED FOR LOCATION ONLY AND LABELED AS SUCH.
- \* FIXTURE MUST BE MANUFACTURED IN ACCORDANCE WITH UL STANDARD 1598.

PARTS SPECIFICATIONS

ITEM QTY DESCRIPTION

- A (1) SOCKET- UL LISTED/CSA CERTIFIED  
BASE= MEDIUM  
SOCKET= PORCELIN  
SEE LEAD WIRE FOR SOCKET WIRE SPEC.
  
- (1) LEAD WIRE- 8"  
UL LISTED/CSA CERTIFIED, AWG #18  
150°C BLACK AND WHITE WIRE.
  
- (1) GROUND WIRE- 8"



**INNOVATIONS LIGHTING**  
 DESIGN COPYRIGHT - 29/07/2020  
 ALL RIGHTS RESERVED AND MAY  
 NOT BE DUPLICATED WITHOUT OUR  
 WRITTEN PERMISSION

NO.	PART NO.	DESCRIPTION	REQ.

NOTICE: ANY DESIGN OR OTHER INFORMATION HEREON DEVELOPED BY THIS COMPANY IS CONFIDENTIAL MATERIAL AND EXCLUSIVE PROPERTY OF THE L.D. ALIYA CO. DISCLOSURE OR REPRODUCTION REQUIRES THE WRITTEN CONSENT OF THE L.D. ALIYA CO.

**INNOVATIONS**  
 CREATIVITY MEET. EVOLUTIONARY DESIGN

DRAWN IN THIRD ANGLE PROJECTION  	"mm" DIMENSION INDICATED IN [ ] DIMENSION IN [ ] IS FOR REF. ONLY			
	TOLERANCES (EXCEPT AS NOTED)			
	DECIMAL NONE ±.031 X ±.015 XX ±.010 .XXX ±.005	ANGULAR ± 1/2°	FRACTIONAL ± 1/32	SCALE 1:4
	DATE 3/31/2021	DRAWN BY	CHECKED BY X	APPROVED BY X

TITLE <b>2LT WALL MOUNT</b>	
PART NO. WALL	REV.
ITEM NO. 340-2W-BPN	REV. A