

NOTICE

- * Please make sure that you have all parts indicated and are in good condition of this item. Refer to part list and hardware list below for guidance .
- * This item should be assembled on a soft surface.
- * This item may require periodic maintenance.
- * If you are having difficulty, our friendly customer care team is always here to help . Please email customersupport@safavieh.com






PREPARATION

- * Before beginning assembly of product , make sure all parts are present . Compare parts with parts contents list and hardware contents list.
- * If any part is missing or damaged, do not attempt to assemble the product.
- * Estimated Assembly time : 10 minutes
- * Tools Required for Assembly (included): Allen key

CARE AND MAINTENANCE

- *Spot clean using a mild water-free solvent. Only a professional cleaner should undertake a complete overall cleaning.
- *The use of steam or water-based cleaners may cause excessive shrinking or staining.

Part List and Hardware List

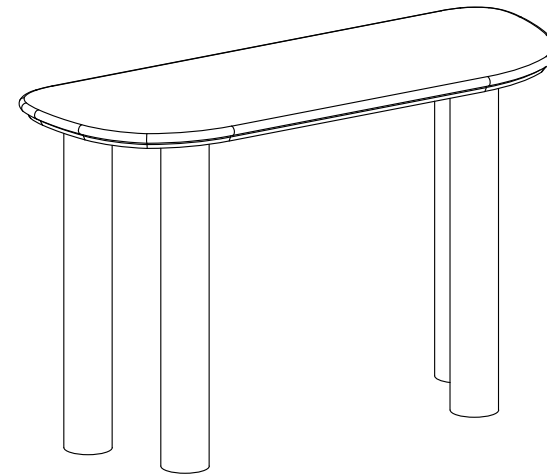
PIECE	DESCRIPTION	PICTURE	QUANTITY
A	Top		1X
B	Leg		4X
Hw1	Allen bolt 6 X 1 X 16 mm		16X
Hw2	Flat washer 16 x 8 mm		16X
Hw3	Allen key 4 mm		1X

SAFAVIEH

C O U T U R E

Item# SFV5758A-1/2

Product dimensions: 47.2"L* 17.7"W*29.9"H



WARNING

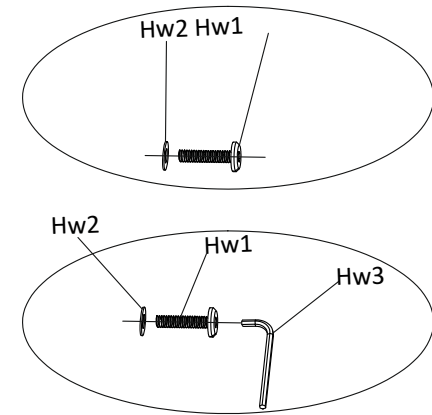
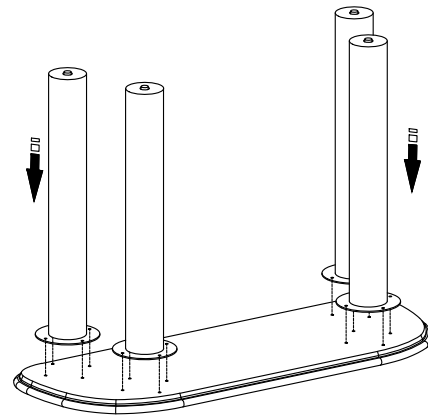
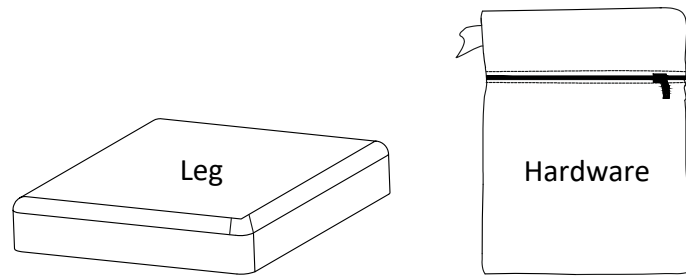
Weight Capacity - 55 LBS

Warning : Do not stand on Table

Warning : Do not over torque bolts.

PREPARATION

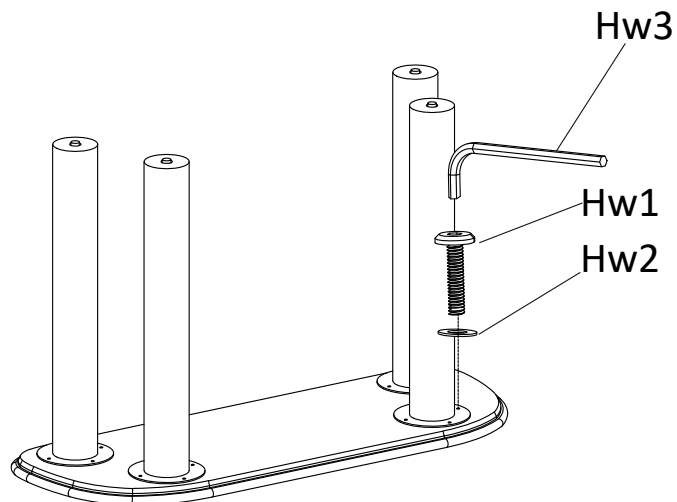
- * Before beginning assembly of product , make sure all parts are present . Compare parts with parts contents list and hardware contents list.
- * If any part is missing or damaged, do not attempt to assemble the product.
- * Estimated Assembly time : 10 minutes
- * Tools Required for Assembly (included): Allen key



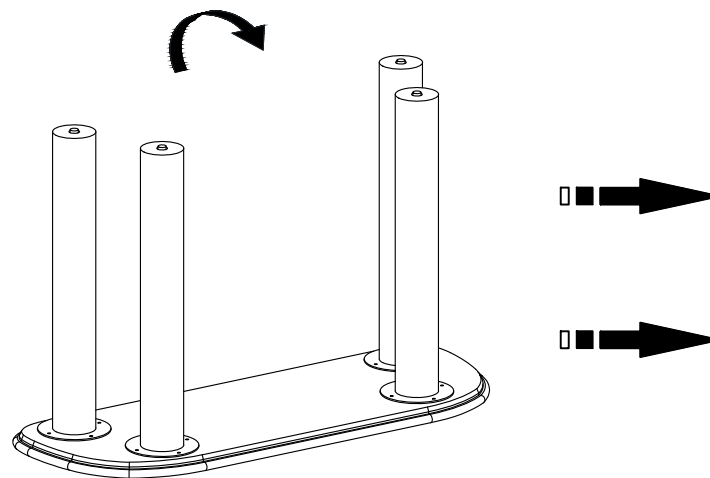
STEP1 Unwrap the legs & take out legs.
Open the hardware pouch & take out hardware.

STEP2 Place the Table upside down on a clean surface.
Align legs on both sides of Table as per side holes present on either side of Table.

STEP3 Put the washer on the Bolt in the order shown in picture.



STEP4 Insert Allen Bolt (Hw1) with Washer (Hw2)



STEP5 Repeat step 10 for, other side leg, flip the Table

