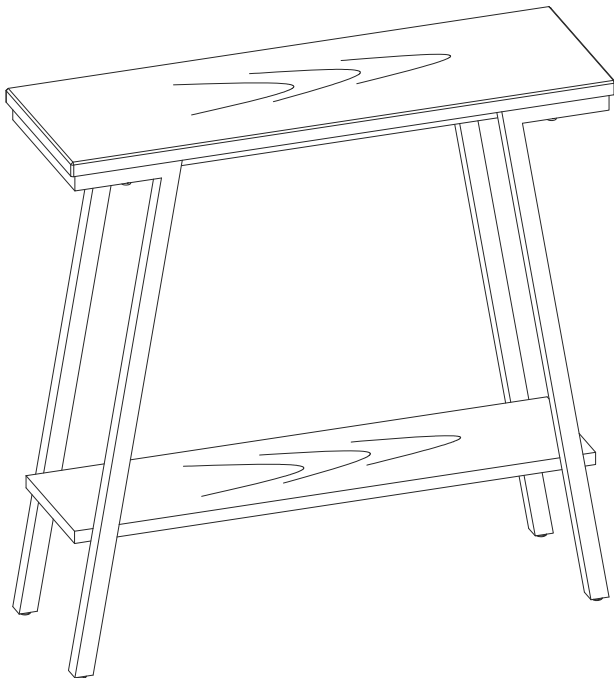



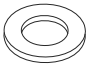



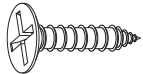


Thank you for purchasing our products.
Contact customer service for comments or concerns.

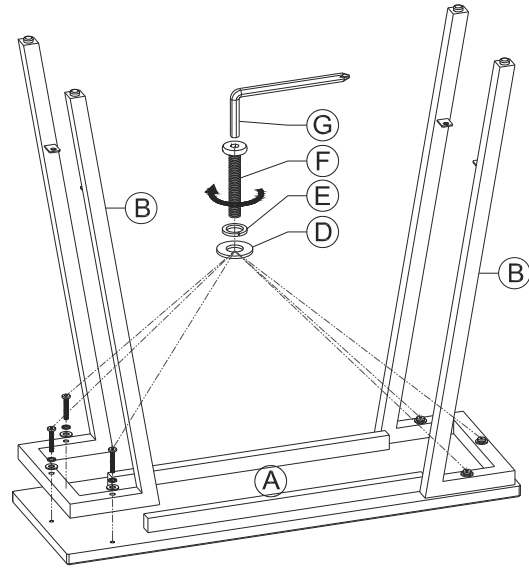
Assembly Instructions, Hall Stand



A: Top	
B: (2) Metal Legs	
C: Shelf	
D: (6) Flat Washers	
E: (6) Lock Washers	
F: (6) Bolts	
G: Allen Wrench	
H: (4) Screws	

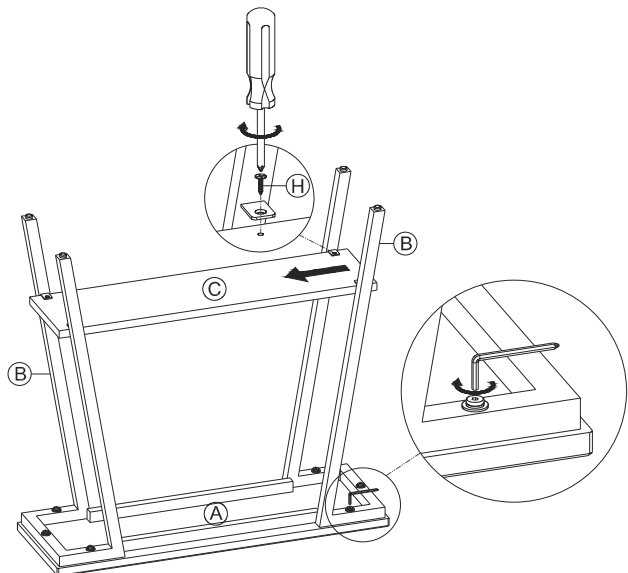
Step 1

Place the top upside down on a soft surface. Fasten the metal legs into the top with bolts. Do not tighten yet.



Step 2

Slide the shelf into the table and fasten the shelf with screws into the plastic inserts. Now you can tighten the bolts in step one.



Step 3

Adjust levelers on the bottom of metal legs if needed.

