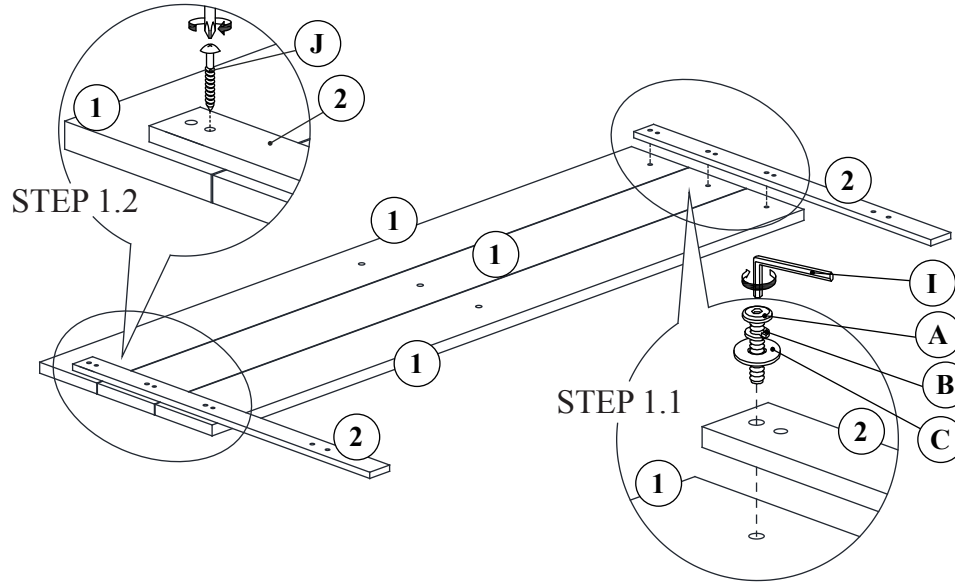


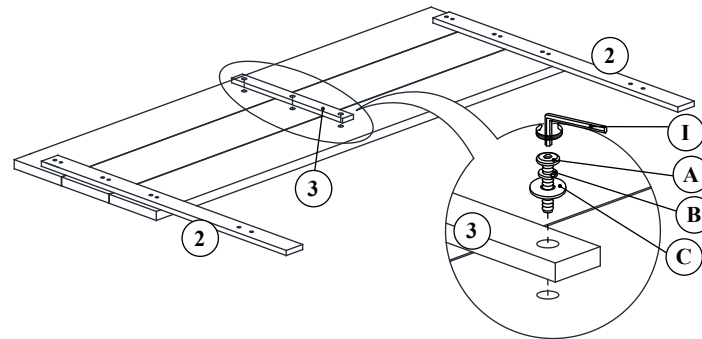
# ASSEMBLY INSTRUCTION

| NO | PART LIST                  | QTY  |
|----|----------------------------|------|
| 1  | HEADBOARD                  | 3pcs |
| 2  | HEADBOARD LEG              | 2pcs |
| 3  | HEADBOARD SUPPORT (SHORT)  | 1pc  |
| NO | HARDWARE LIST              | QTY  |
| A  | JCBC SCREW<br>M8 x 35mm    | 9pcs |
| B  | SPRING WASHER<br>M8 x 14mm | 9pcs |
| C  | FLAT WASHER<br>M8 x 22mm   | 9pcs |
| D  | JCBC SCREW<br>M6 x 50mm    | 4pcs |
| E  | SPRING WASHER<br>M6 x 12mm | 4pcs |
| F  | FLAT WASHER<br>M6 x 19mm   | 8pcs |
| G  | HEX NUT (M6)               | 4pcs |
| H  | L - KEY<br>M4 x 65mm       | 1pc  |
| I  | L - KEY<br>M5 x 65mm       | 1pc  |
| J  | PANHEAD<br>M4 x 28mm       | 6pcs |

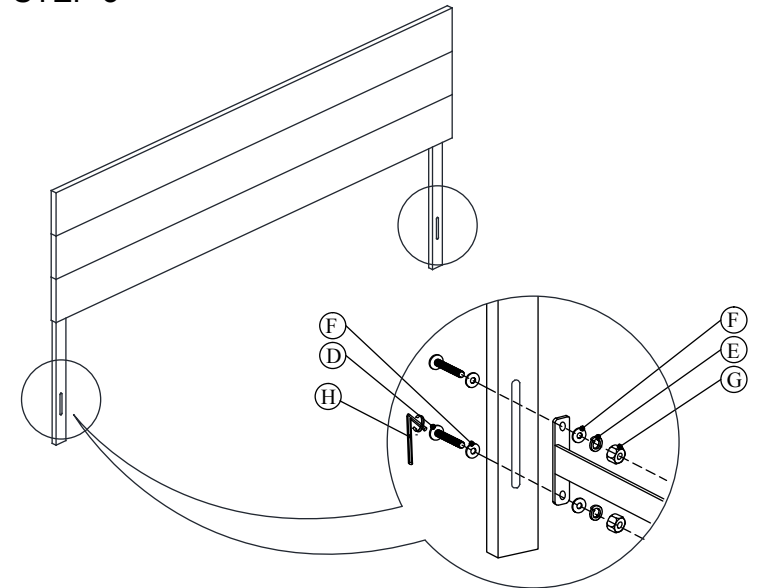
## STEP 1



## STEP 2



## STEP 3



NOTE: AFTER A FEW DAYS OF ASSEMBLY, IT WILL HAVE ACCLIMATIZED TO THE ENVIRONMENT. PLEASE TIGHTEN ALL HARDWARE. CHECK TIGHTNESS OF ALL SCREWS EVERY 6-8 WEEKS.