

# Instruction Sheet

SAVE ALL PACKAGING MATERIALS UNTIL PRODUCT IS FULLY ASSEMBLED. HARDWARE AND SMALL PIECES MAY NOT BE SEEN AND COULD BE ACCIDENTALLY DISCARDED WITH PACKAGING MATERIALS.

FIGURE 1

HEADBOARD PANEL

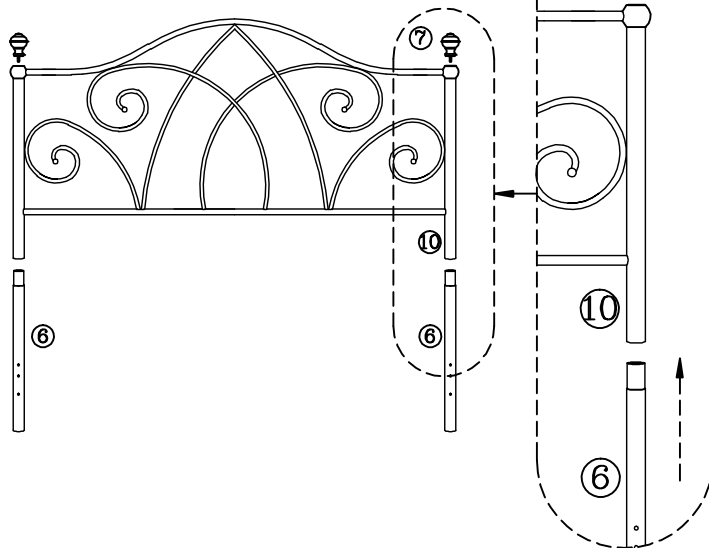


FIGURE 2

FOOTBOARD PANEL

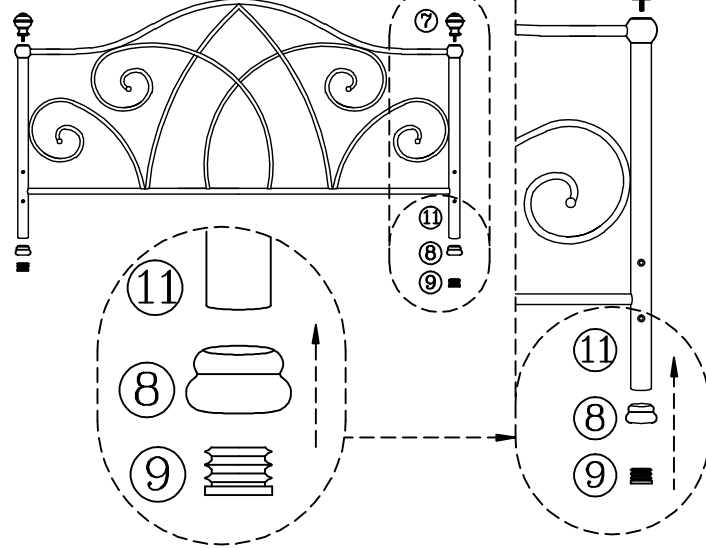
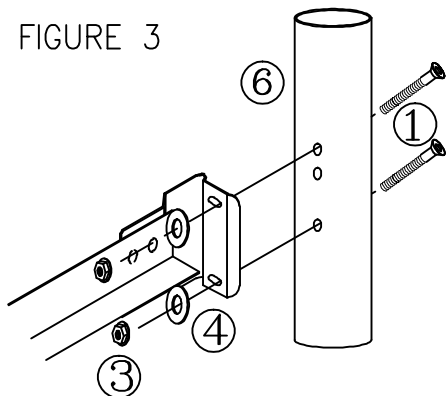


FIGURE 3



## Step 1 Headboard Assembly

- Align top reduction of extension legs (6) with bottom of headboard panel (10) posts. (SEE FIGURE 1) Make sure the 3 holes on extension legs are perpendicular to headboard panel.
- Now carefully insert extension legs (6) into bottom of headboard (10) posts.
- Screw in finials (7) on top of headboard Panel (10). (SEE FIGURE 1)

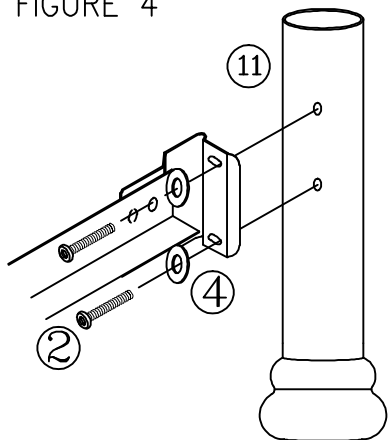
## Step 2 Footboard Assembly

- Insert foot casting (8) into footboard panel post (11). (SEE FIGURE 2)
- Secure foot casting (8) with plastic glide (9).
- Screw in finials (7) on top of footboard Panel (11). (SEE FIGURE 2)

## Step 3 Headboard Frame Assembly

- Place headboard and frame in desired location in room.
- Place 2 screws (1) through holes located in extension leg (6). (SEE FIGURE 3)
- Align bed frame bracket over screws.
- Place a flat metal washer (4) over screws first and then a hex nut (3) on each screw. Hand tighten, DO NOT TIGHTEN screws all the way.
- Repeat on other side of headboard.
- Tighten all screws securely using the Allen wrench (5).

FIGURE 4



## Step 3 Footboard Frame Assembly

- Position footboard panel (11) and align holes in the post with holes in the frame bracket. (SEE FIGURE 4)
- Place flat metal washer (4) on each screw (2). Insert through bracket and into footboard post. Hand tighten, DO NOT TIGHTEN screws all the way.
- Repeat on other side of footboard panel.
- Tighten all screws securely using the Allen wrench (5).