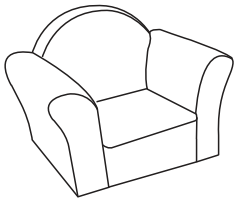


USE AND MAINTENANCE

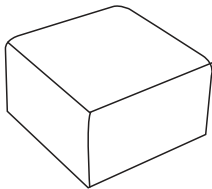
- Use on level surfaces only
- Because this product needs assembly, it is prone to working itself loose from time to time depending on the use. Please take the time to check that all connections are still tight and working properly for safety.
- Only clean using a damp cloth and mild detergent, do not use bleach or abrasive cleaners.

## Shirley Kids Sofa Chair with Ottoman

PART LIST



A - Chair Base x1



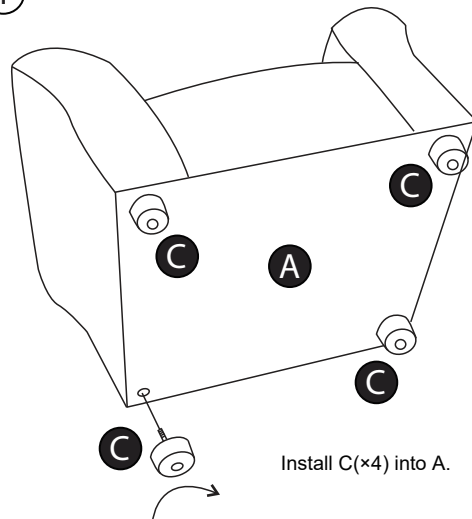
B - Ottoman x1



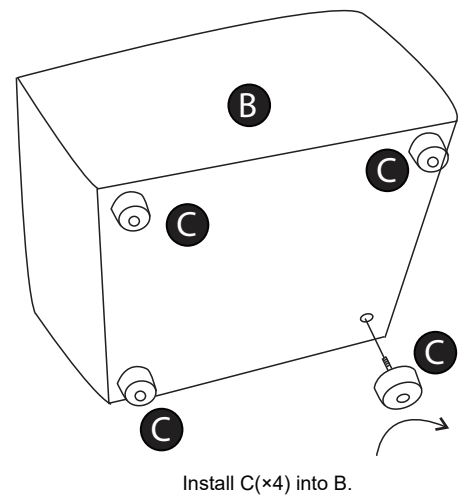
C - Leg x8

### Assembly Instructions

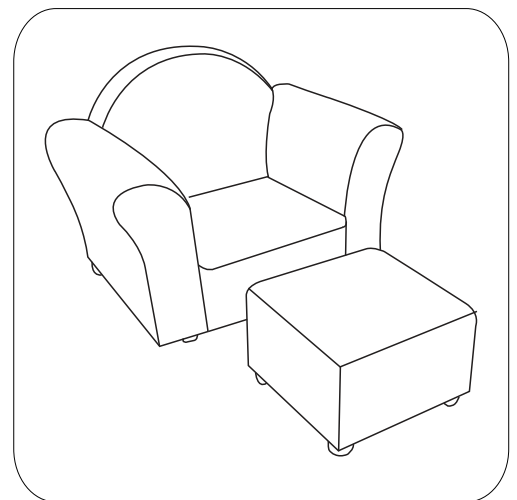
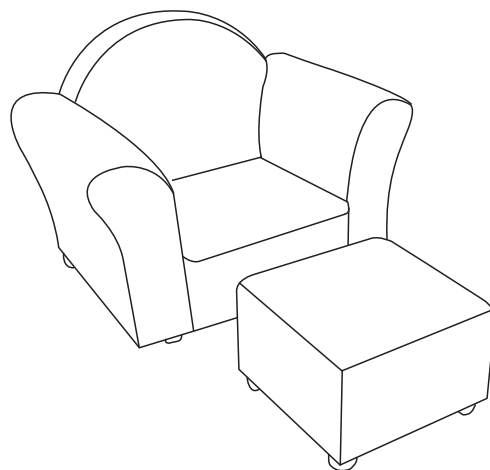
①



②



③



Congratulations! Setup of your new Naomi Home Shirley Kids Sofa Chair with Ottoman is Complete! Keep these instructions for future reference.