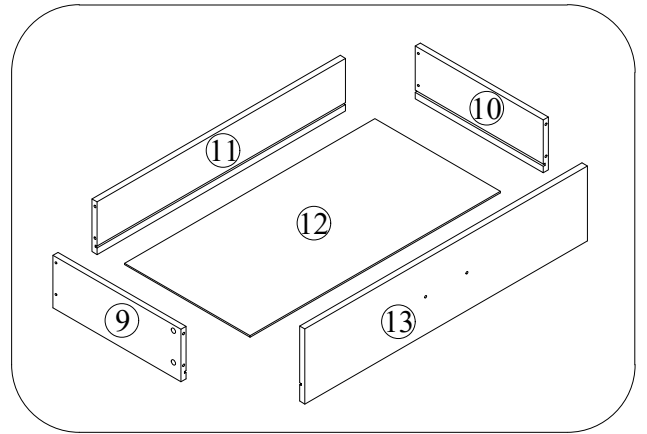
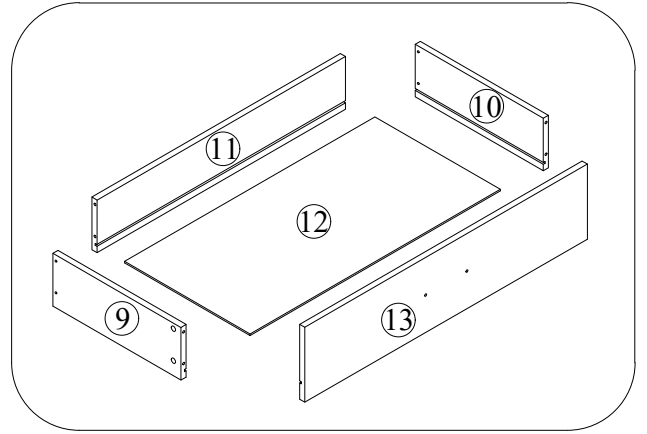
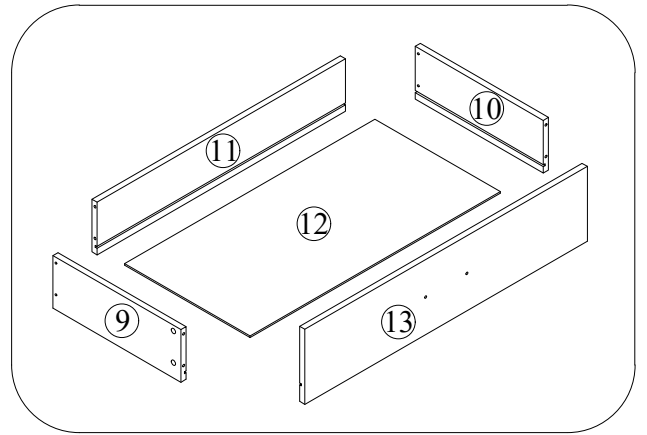
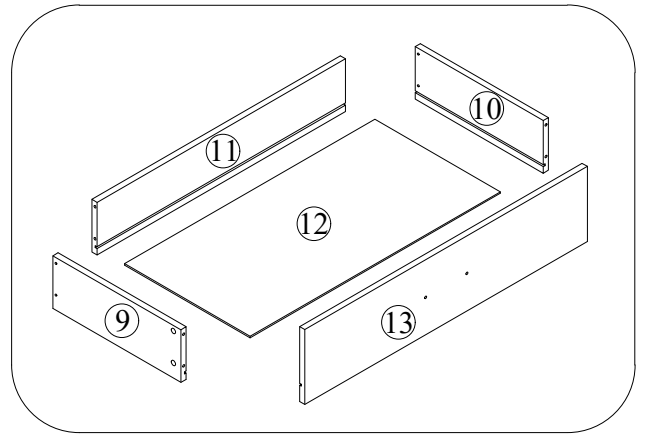
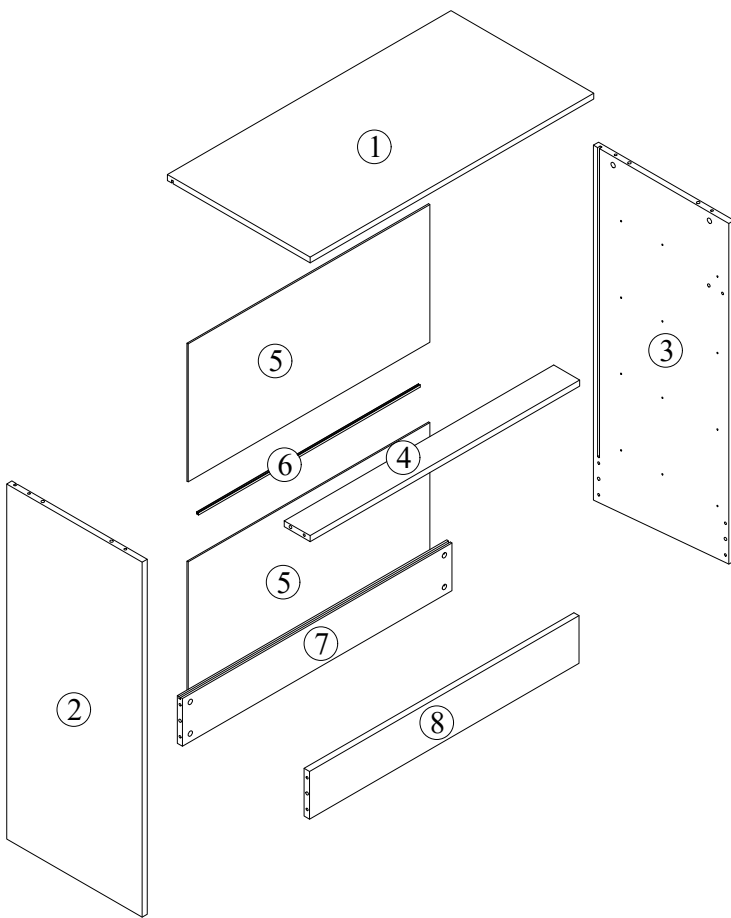
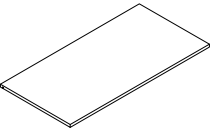

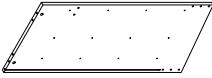
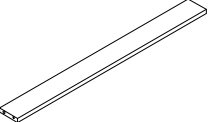


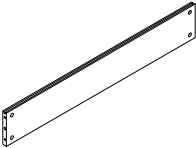
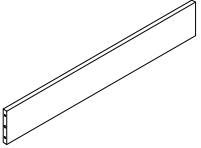
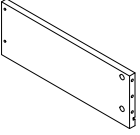
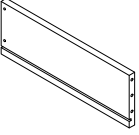
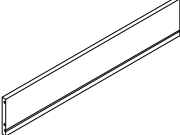
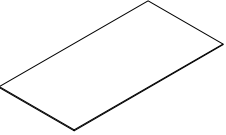
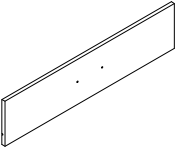


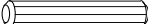

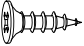




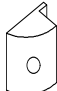






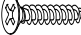
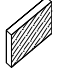
Assembly Instruction

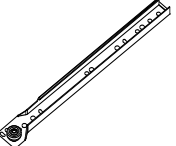
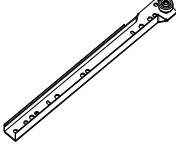
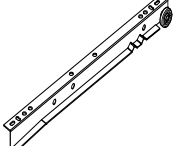
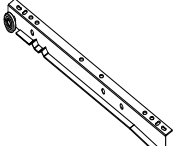




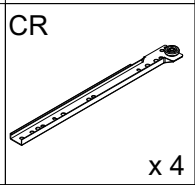
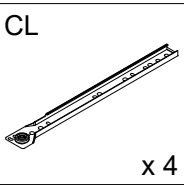
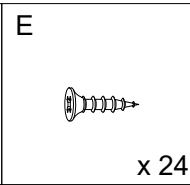
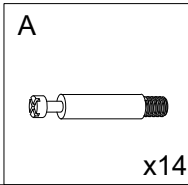
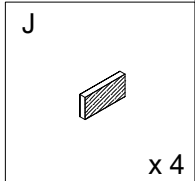
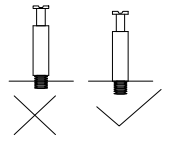
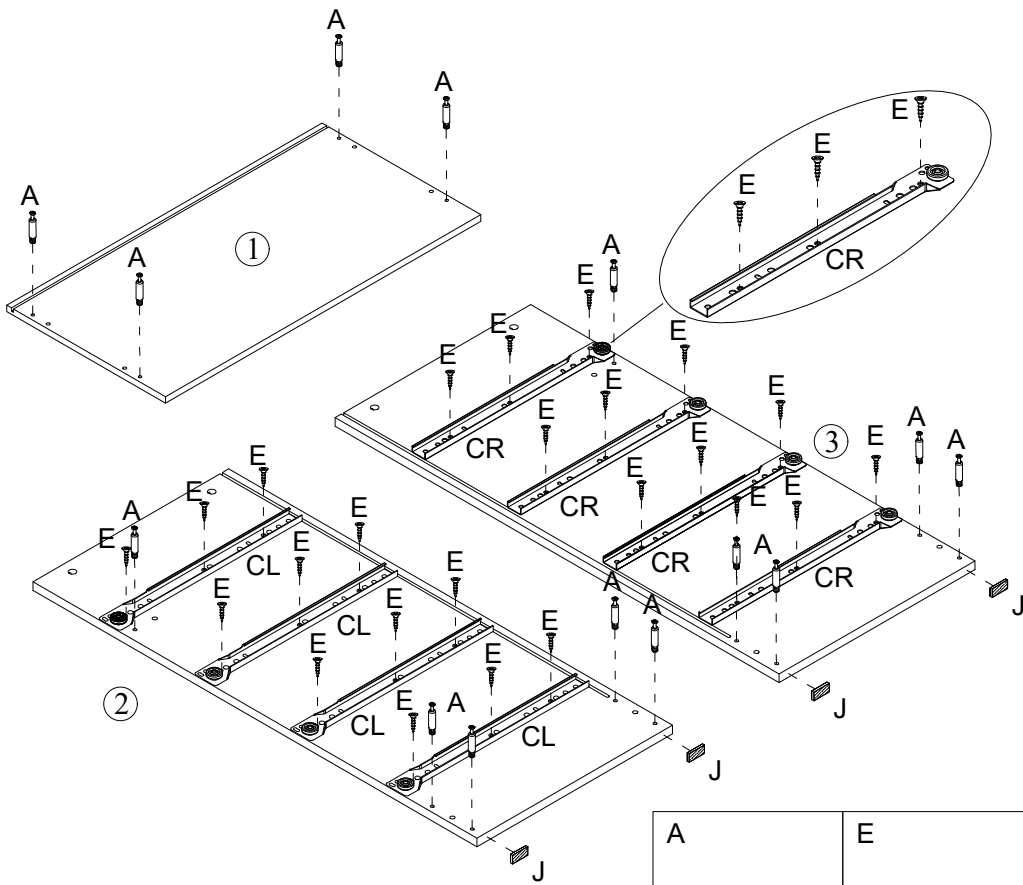
1  659x331x15 x1	2  714x314x15 x1	3  714x314x15 x1	4  627x59x15 x1
5  634x312 x2	6  625mm x1	7  627x95x15 x1	8  627x95x15 x1
9  298x105x12 x4	10  298x105x12 x4	11  578x105x12 x4	12  585x292 x4
13  656x150x15 x4			

A  Φ6X35mm	x 30+1	B  Φ15X10mm	x 30+1	C  Φ6X30mm	x 10+1	D  Φ4X35mm	x 16+1	E  Φ3X12mm	x 48+2
---	--------	--	--------	---	--------	---	--------	---	--------

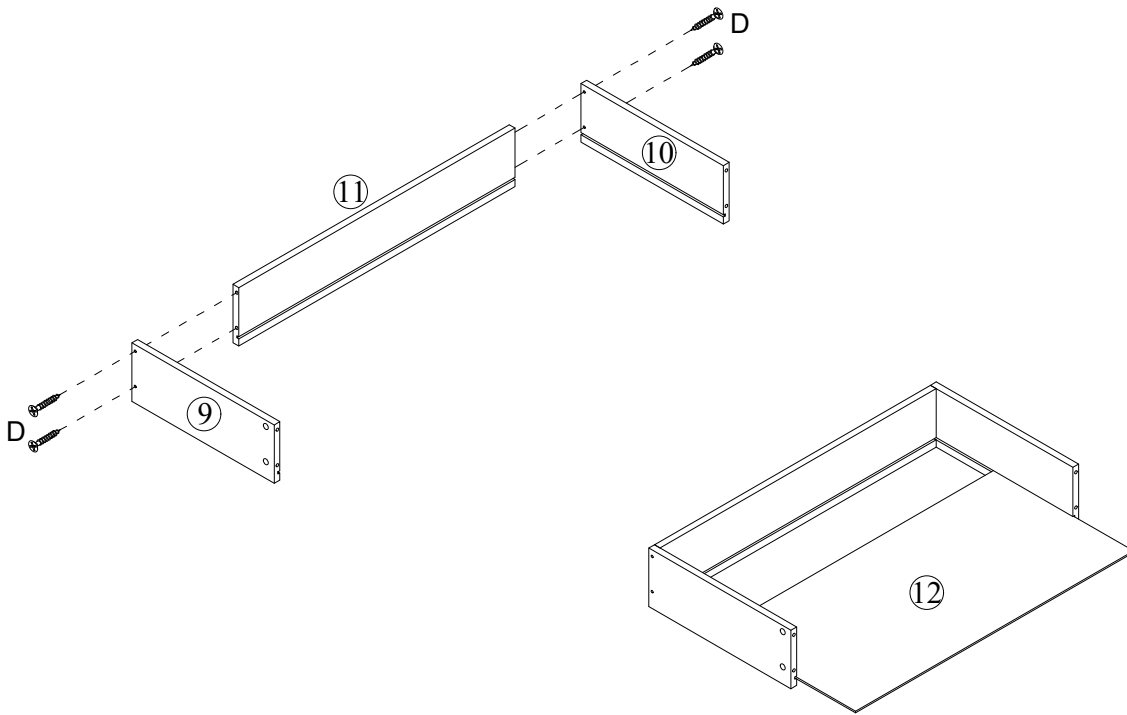
F-1  Φ4X18mm	F-2 	x 4	G-1  Φ3X16mm	G-2 	x 4	H-1 	H-2 	H-3  Φ4X12mm	x 1	I-1 	I-2 	I-3  Φ4X45mm	x 1	J  25X12X3mm	x 4
---	--	-----	---	--	-----	--	--	---	-----	---	--	---	-----	---	-----

CL  L300	x 4	CR  L300	x 4	DL  L300	x 4	DR  L300	x 4
---	-----	---	-----	---	-----	---	-----

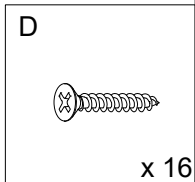
1



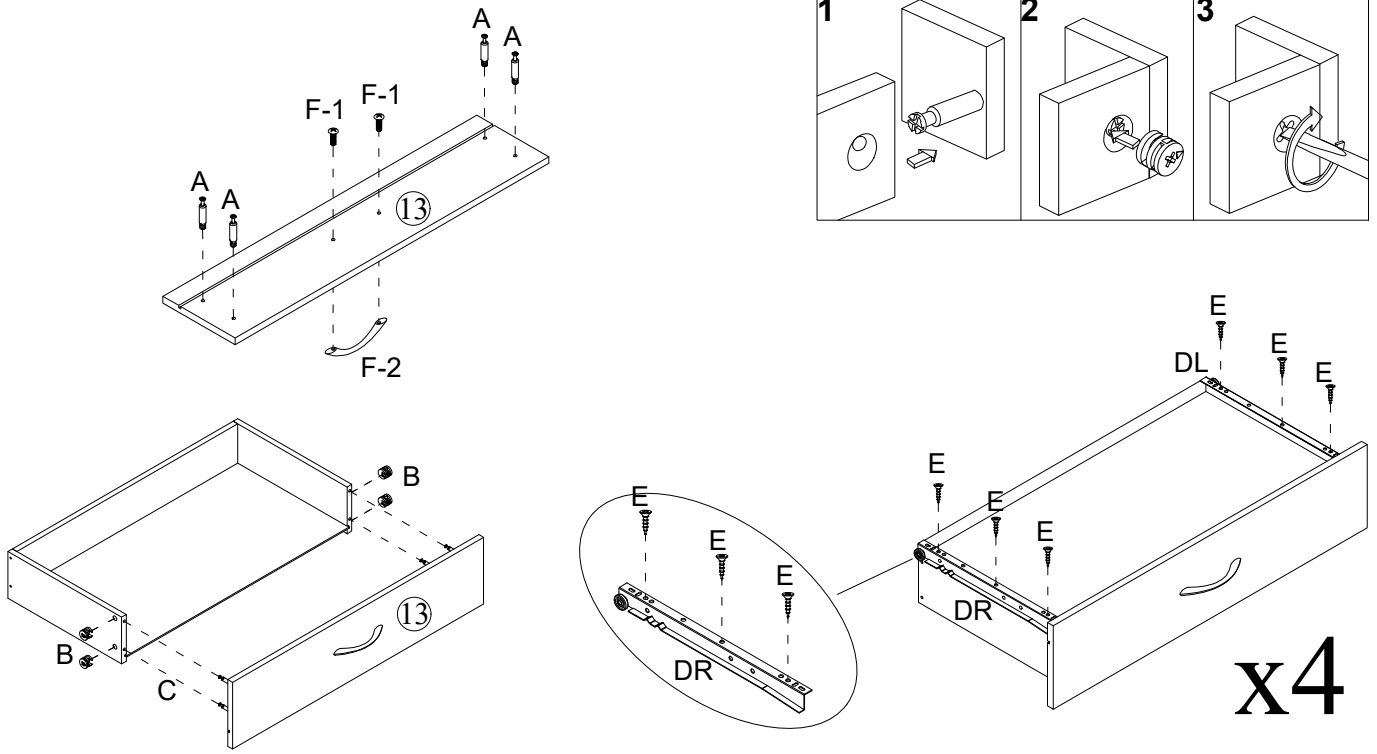
2

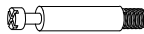

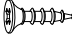





x4

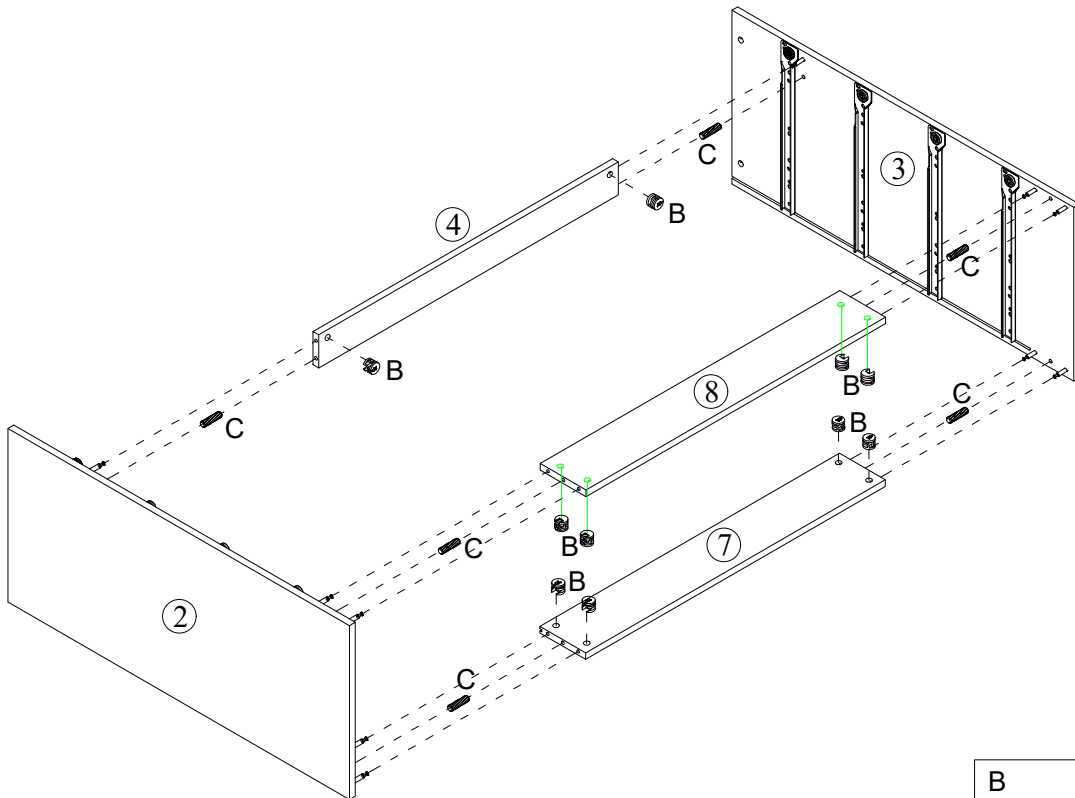




3



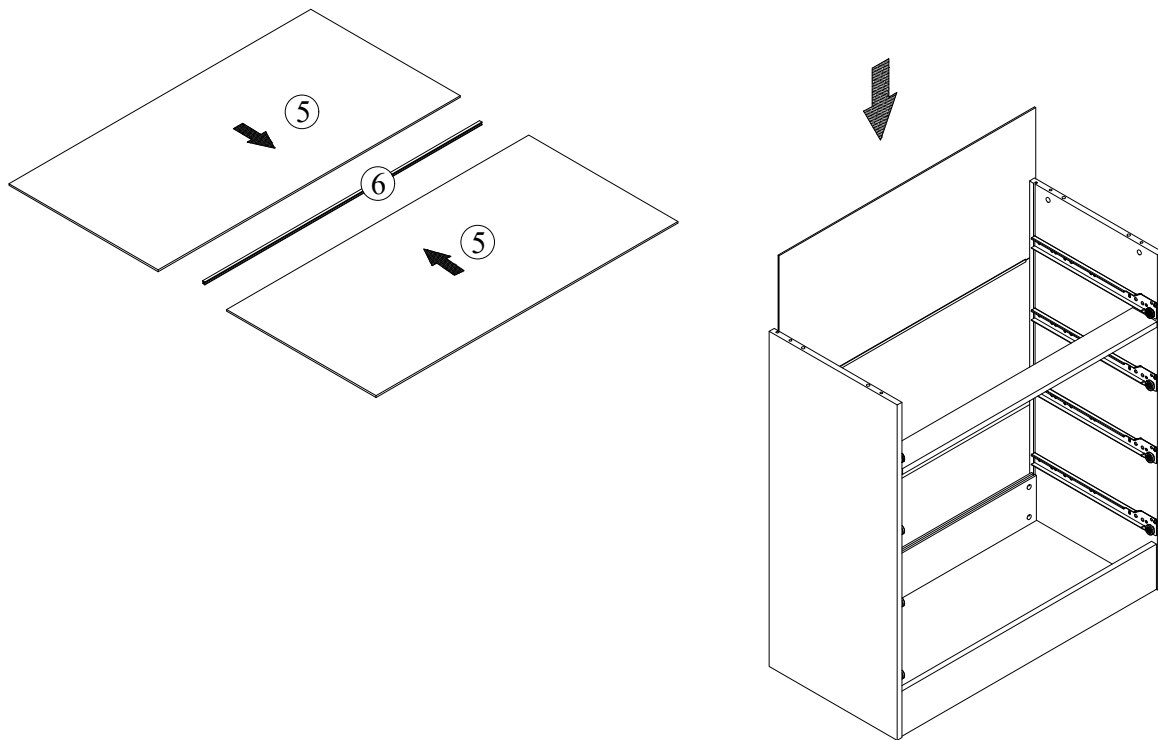
<p>A</p>  <p>x16</p>	<p>B</p>  <p>x 16</p>	<p>E</p>  <p>x 24</p>	<p>F</p> <p>F-1 F-2</p>  <p>x 4</p>	<p>DL</p>  <p>x 4</p>	<p>DR</p>  <p>x 4</p>
---	---	--	---	---	---

4

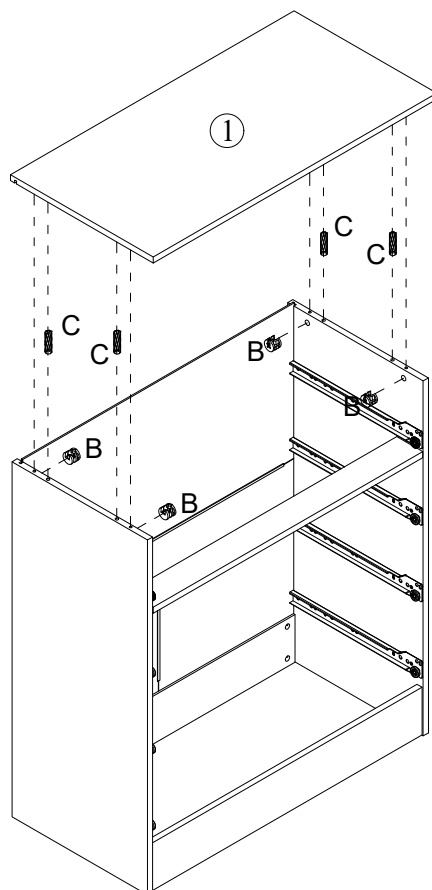




<p>B</p>  <p>x 10</p>	<p>C</p>  <p>x 6</p>
--	---

5

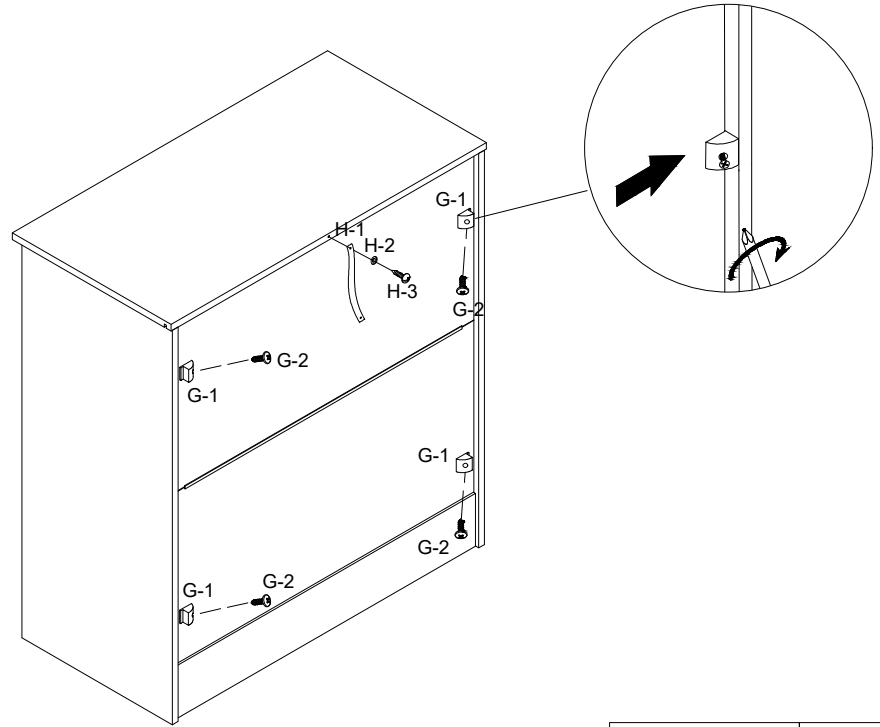







6



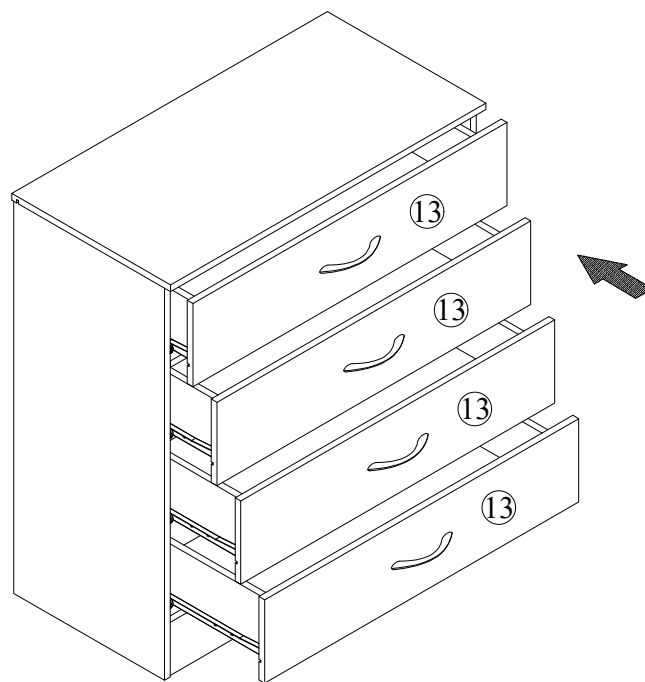
<p>B</p>  <p>x 4</p>	<p>C</p>  <p>x 4</p>
--	--

7

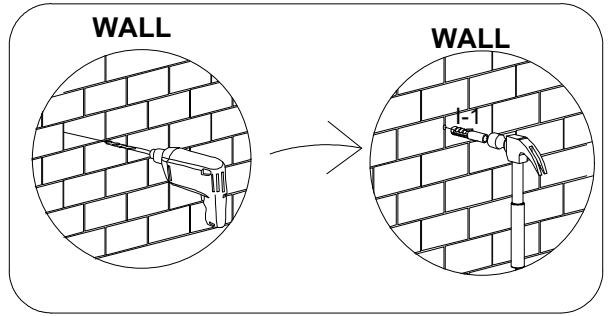
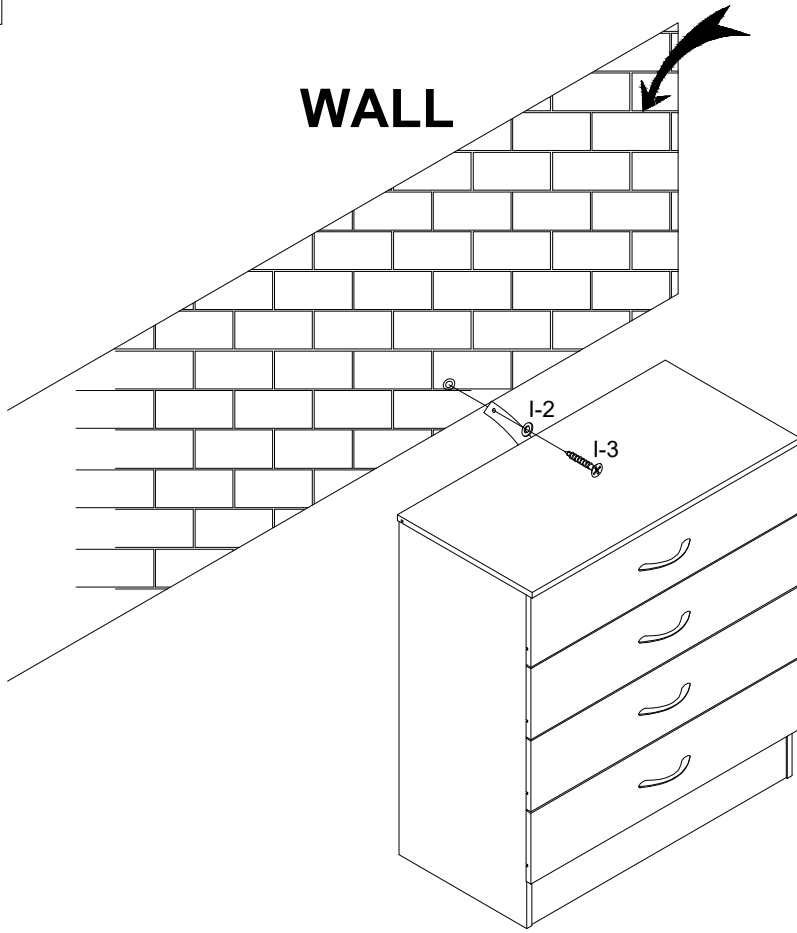





G		H		
G-1	G-2	H-1	H-2	H-3
				
	x 4			x 1

8



9



- I
- | | | |
|---|---|---|
| I-1 | I-2 | I-3 |
|  |  |  |
| x 1 | | |

10

