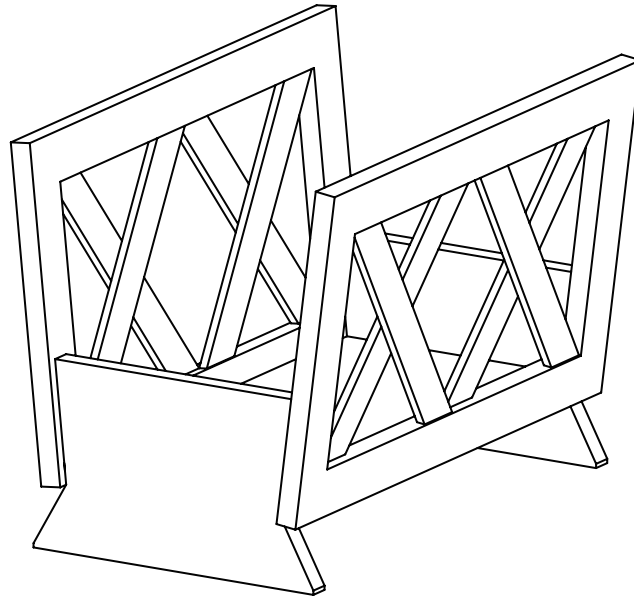


Assembly Instructions

Before assembling your Rack, please read through these instructions carefully. Familiarize yourself with the different parts.



NOTE: A PHILLIPS HEAD SCREWDRIVER IS NEEDED FOR INSTALLATION AND IS NOT INCLUDED.



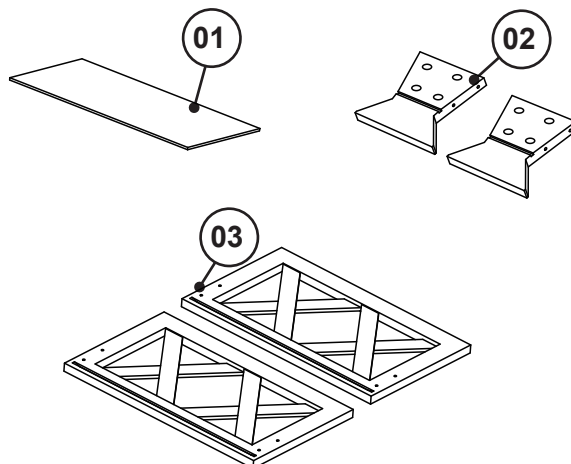
A Cam Screw - 8 pcs



B Cam Nut - 8 pcs

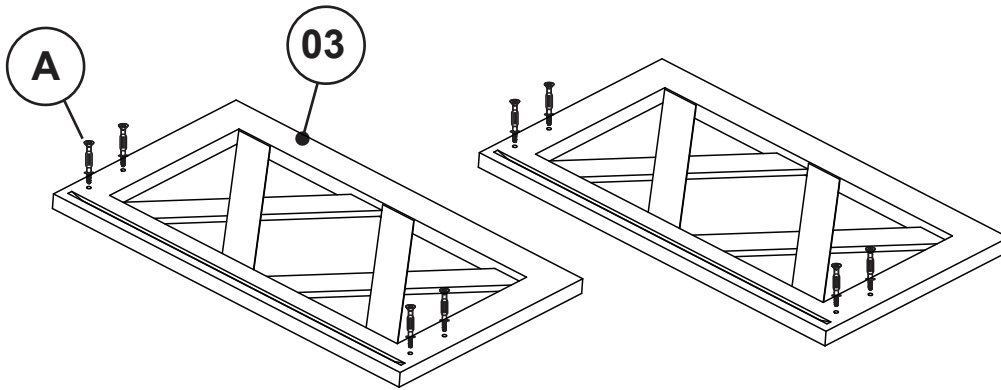
PARTS LIST

01	BOTTOM SHELF	1 PC
02	SIDE PANELS	2 PCS
03	RACK PANELS	2 PCS



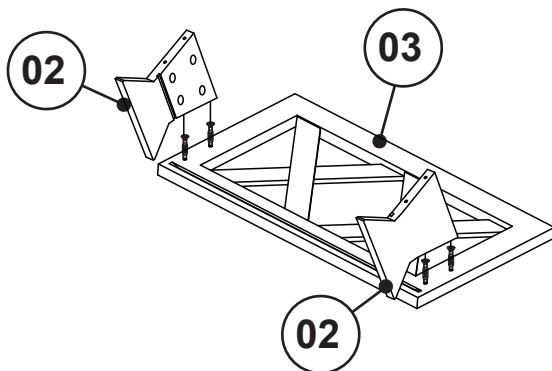
STEP 1

Insert and attach cam screw (A) into the locator holes for rack panels (03) as shown below. Screw these in with a phillips head screwdriver (not included).



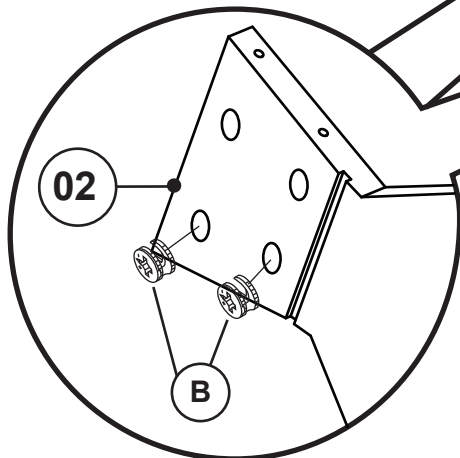
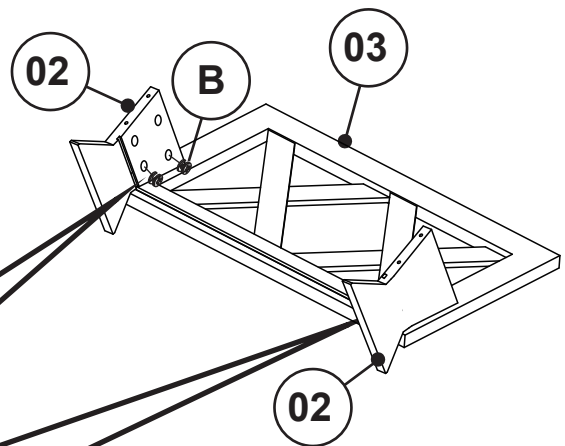
STEP 2

Attach side panels (02) to rack panel (03) as shown below using insert holes.



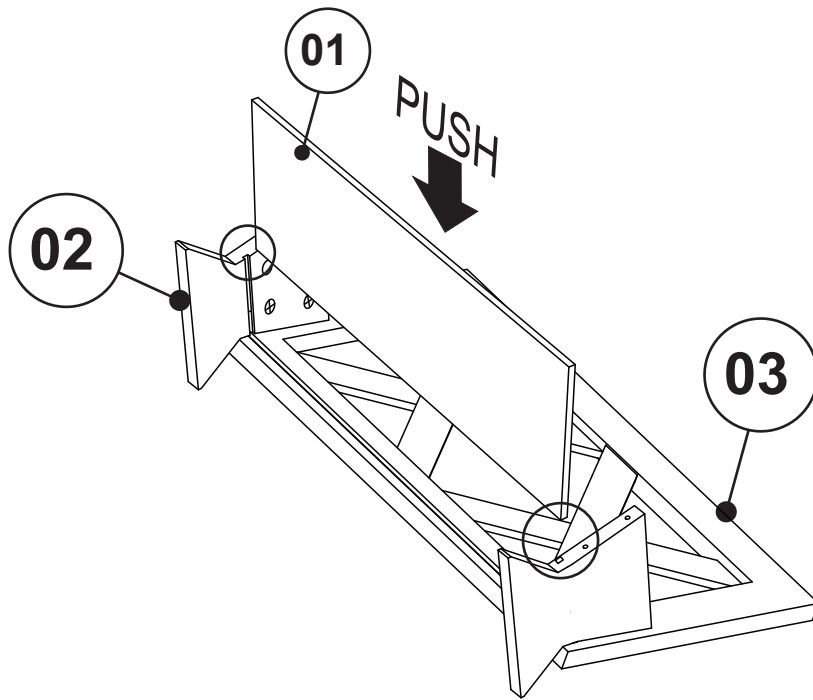
STEP 3

Install cam nuts (B) into side panel (02) using locator holes with a phillips head screwdriver as shown below.



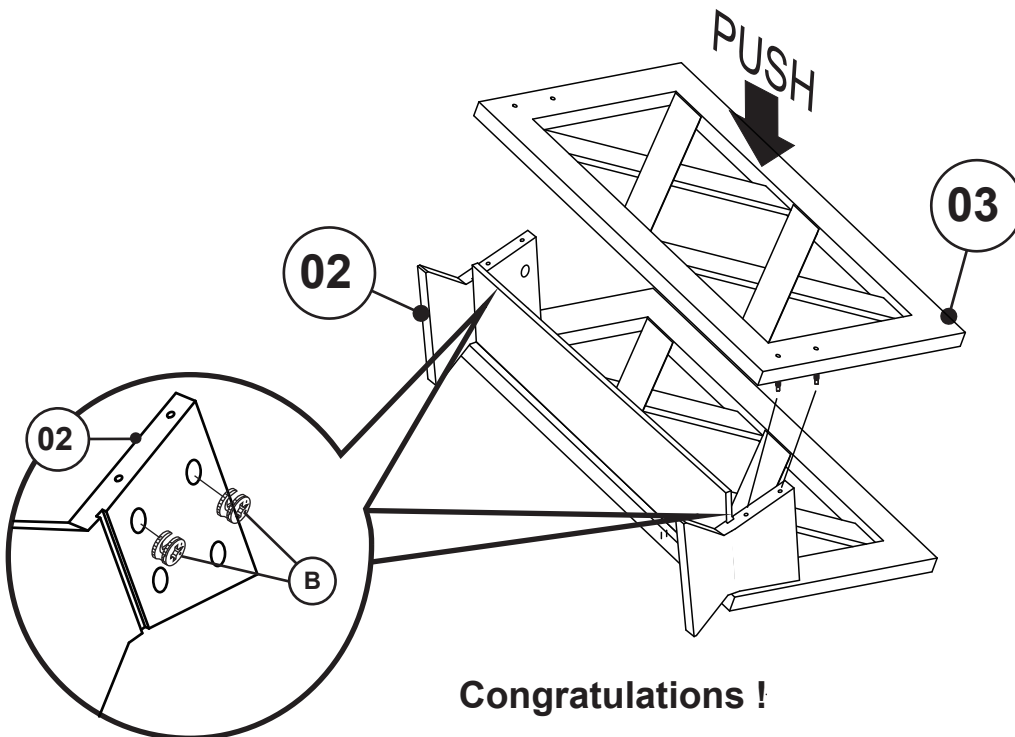
STEP 4

Attach bottom shelf (01) by inserting into the slots as shown below



STEP 5

Attach the other rack panel (03) as shown below.
Install cam nuts (B) into the side panel (02) as shown in step 3.



Congratulations !

Your Rack is now ready for use.

We recommend that you recheck that all screws are tight,
and that all parts are secure before use and periodically to ensure lasting Safety.