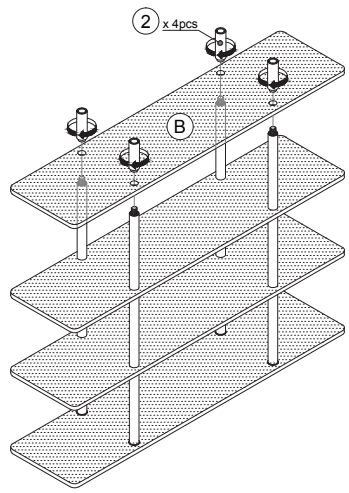
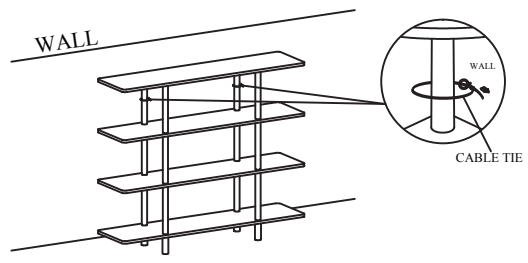
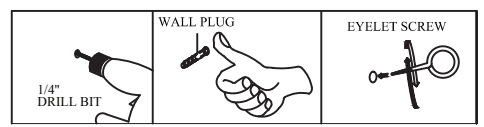


STEP 3

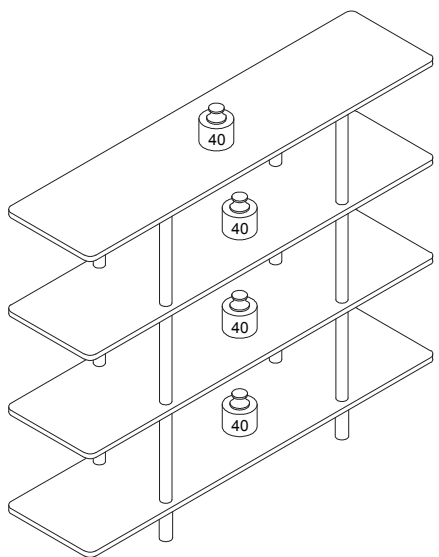


PLEASE FOLLOW BELOW INSTRUCTION TO PREVENT PRODUCT TIP OVER.

| HARDWARE LIST | | | QTY |
|---------------|--|--|--------|
| | | | 2 SETS |



Recommended Maximum Weight

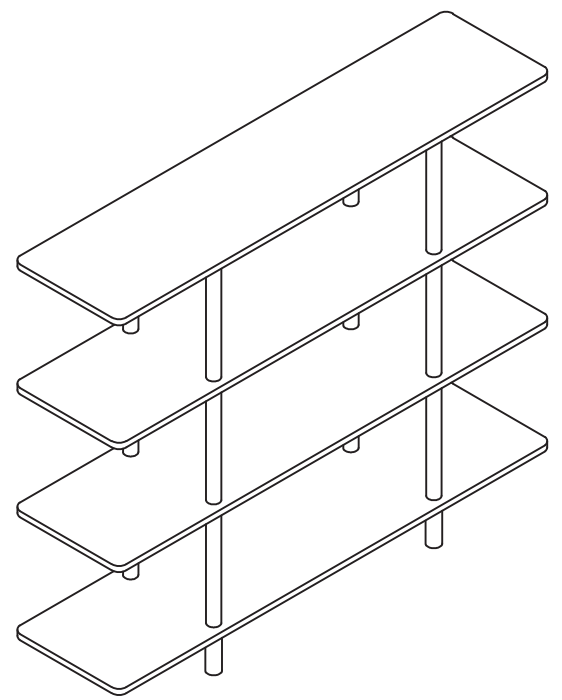
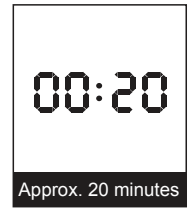


*Unit in Pound(lbs.)

WARNING:

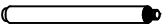
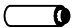
- >This unit has been designed to support the maximum loads shown. Exceeding these load limits could cause sagging, instability, product collapse, and/or serious injury.
- >DO NOT allow children to climb on unit.
- > Put heavier items on lower shelves.

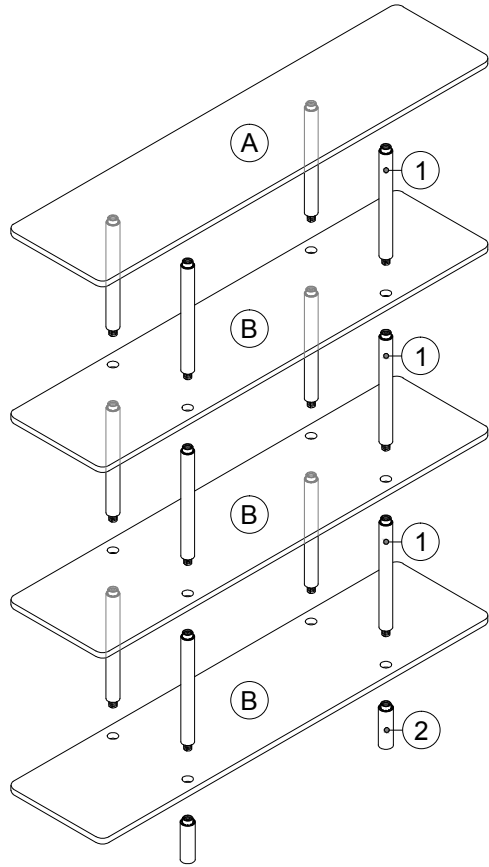
Assembly Instruction



HARDWARE & PARTS LIST

| NO | PARTS LIST | QTY |
|----|--------------|-------|
| A | TOP PANEL | 1 PC |
| B | BOTTOM PANEL | 3 PCS |

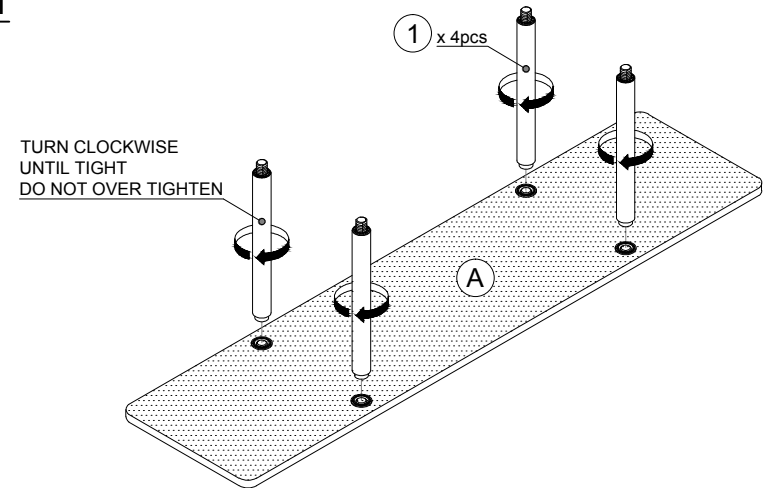
| NO | HARDWARE LIST | QTY |
|----|--|--------|
| 1 | LONG PE TUBE  | 12 PCS |
| 2 | PE LEG  | 4 PCS |



USEFUL HINTS BEFORE YOU START:

1. Read each step carefully before starting.
2. It is important that each step is performed in correct order to avoid difficulties.
3. Identify, soft and count the parts before assembly.
4. Assemble your furniture on packaging cardboard to prevent scratch or damage.
5. Clean the product with mild cleanser using soft dampd cloth. Do not use harsh or abrasive cleanser.
6. Using uncompatible hardware might cause damage to product.

STEP 1



STEP 2

