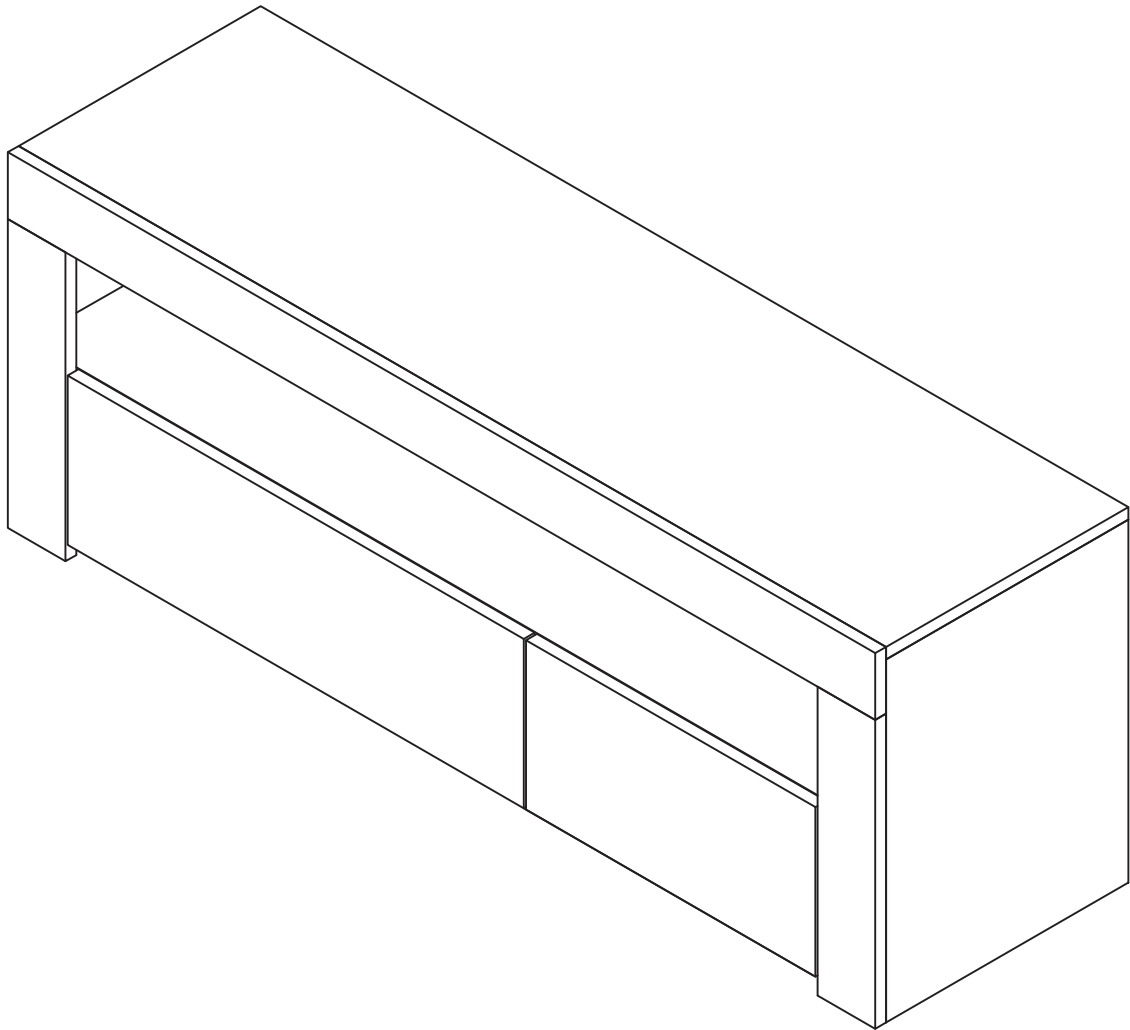
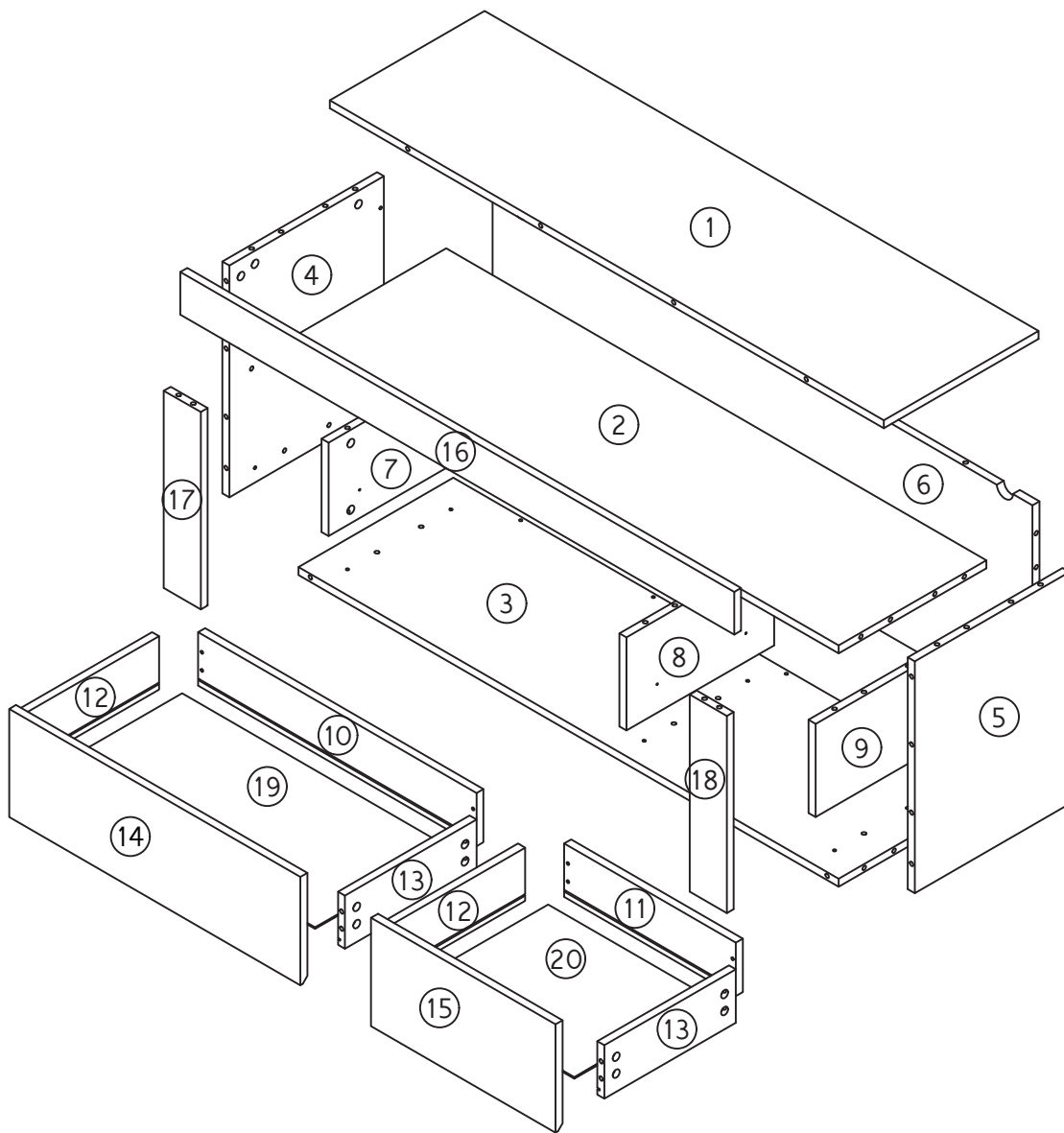


1

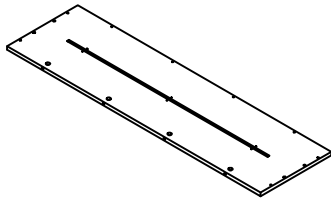
ASSEMBLY INSTRUCTIONS



BOARD IDENTIFICATION

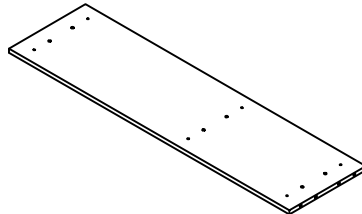


PARTS LIST



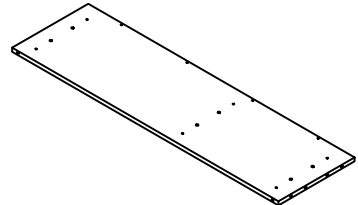
①

MAIN PANEL



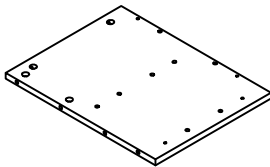
②

LAYER BOARD



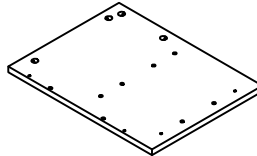
③

BOTTOM



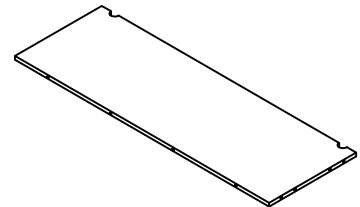
④

LEFT SIDE PANEL



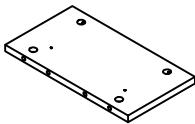
⑤

RIGHT SIDE PANEL



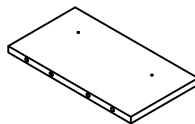
⑥

BACK PANEL



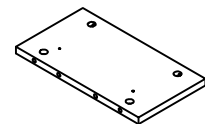
⑦

MIDDLE LEFT PANEL



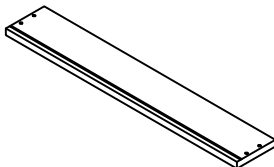
⑧

MIDDLE PANEL



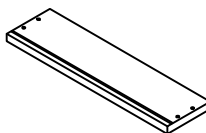
⑨

MIDDLE RIGHT PANEL



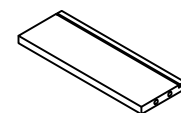
⑩

DRAWER BACK



⑪

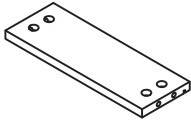
DRAWER BACK



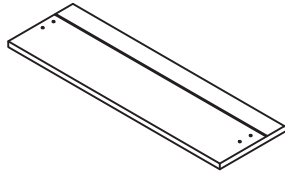
⑫

DRAWER LEFT
QTY:2

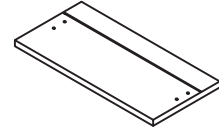
PARTS LIST



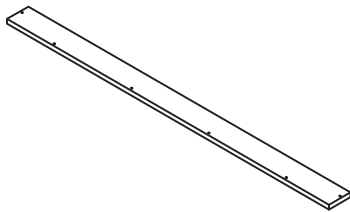
⑬ DRAWER RIGHT
QTY:2



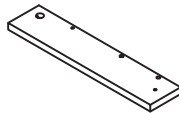
⑭ DRAWER FRONT



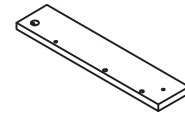
⑮ DRAWER FRONT



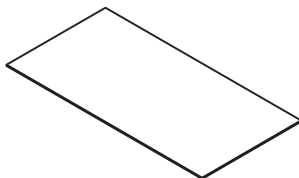
⑯ MIDDLE FRONT PANEL



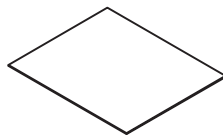
⑰ MIDDLE LEFT PANEL



⑱ MIDDLE RIGHT PANEL



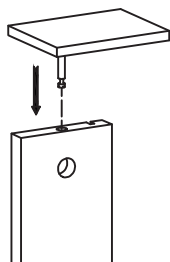
⑲ DRAWER BOTTOM



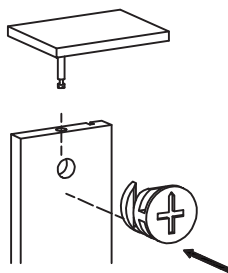
⑳ DRAWER BOTTOM

5

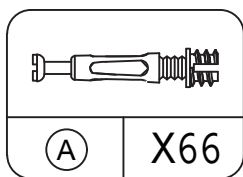
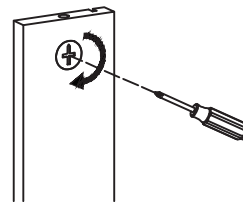
1



2

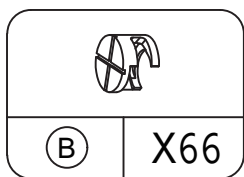


3



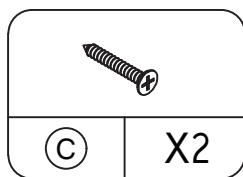
(A) X66

CAM BOLT
F7*31



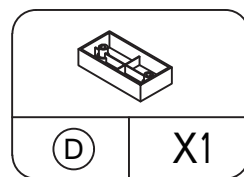
(B) X66

CAM LOCK
F15*11



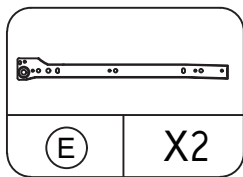
(C) X2

SCREW
F3.5*25



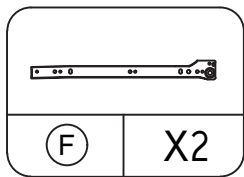
(D) X1

FOOT



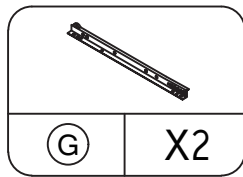
(E) X2

LEFT OUTER TRACK
F20*300



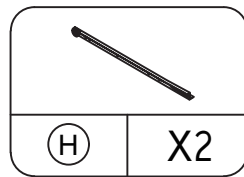
(F) X2

RIGHT OUTER TRACK
F20*300



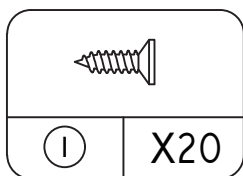
(G) X2

RIGHT INNER TRACK
F20*300



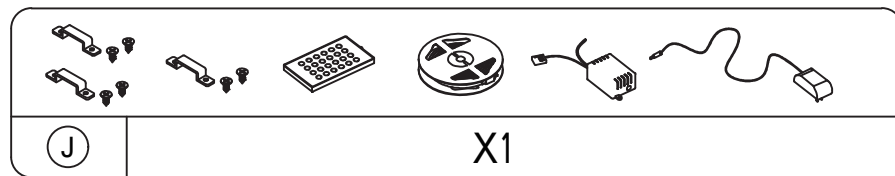
(H) X2

LEFT INNER TRACK
F20*300



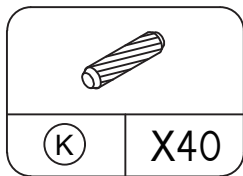
(I) X20

SCREW
F3.5*14



(J) X1

LIGHT STRIP

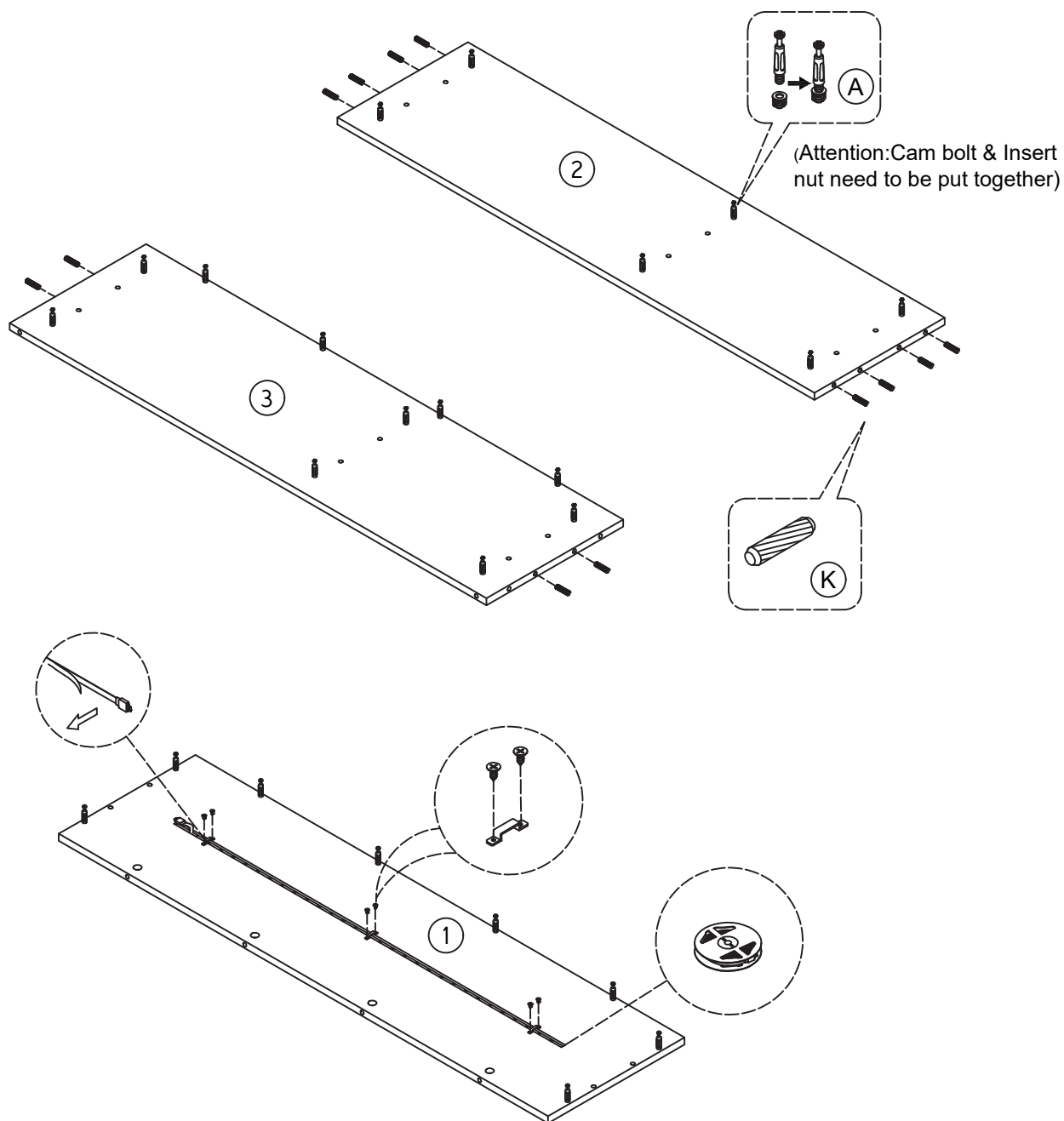








(K) X40

WOOD DOWEL
F8*30

STEP 1

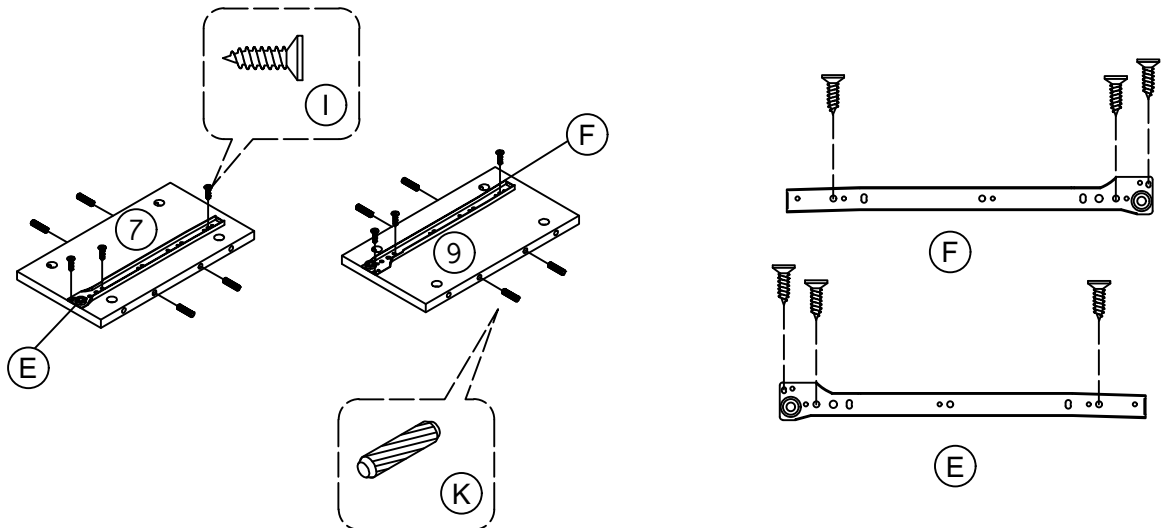
- Screw cam bolt(A) into panel(1)&(2)&(3) as shown below.
- Insert wood dowels (K) into panel(2)&(3).
- Paste LED in the slot of panel (1);Fasten the lamp belt with a buckle as shown below.






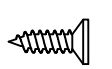
					
(J)	X 1			(K) *12	(A) *24

STEP 2

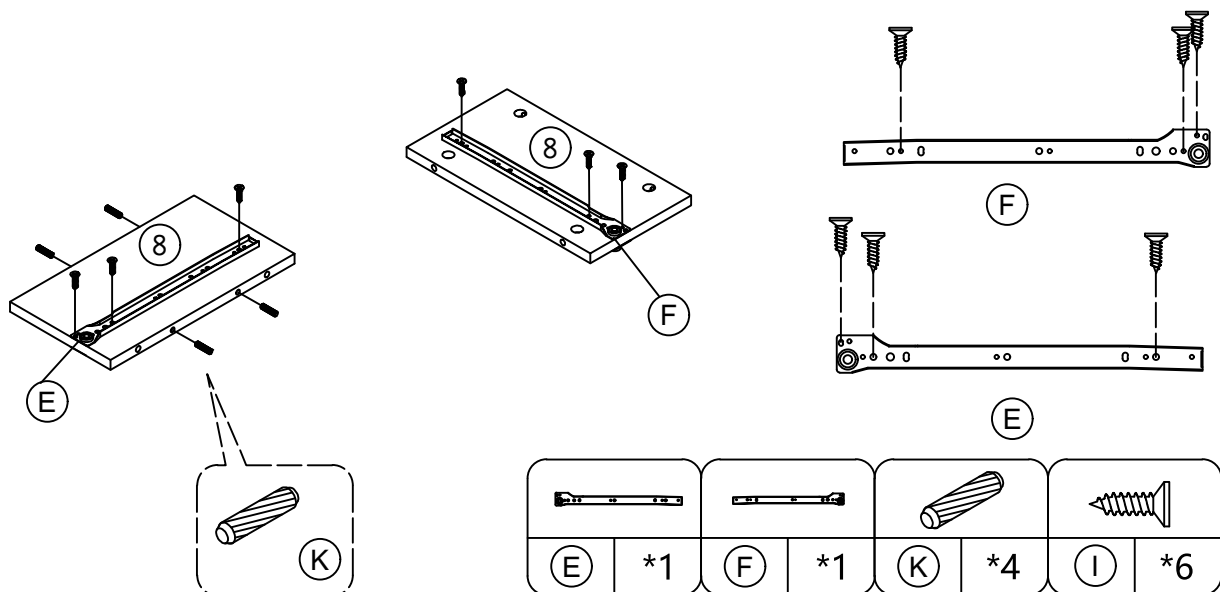
- Install drawer track (E)&(F) to panel (7)&(8)&(9) with screws(I).
- Insert wood dowels (K) into panel(7)&(8)&(9) as shown below.

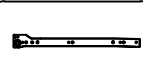
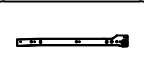

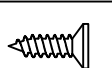


STEP 3

			
(E)	*1	(F)	*1
		(K)	*8
			(I)
			*6

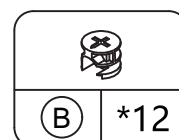
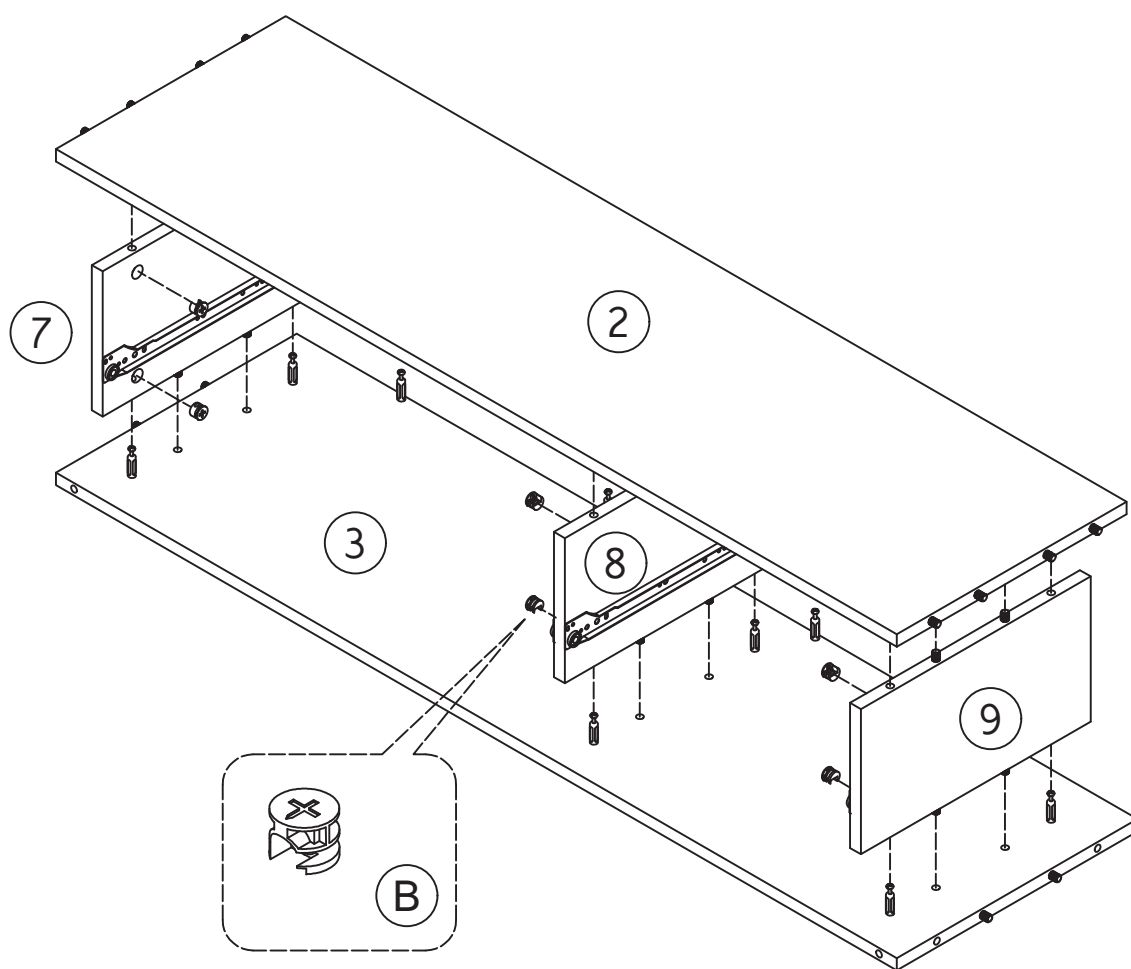
- Install drawer track (E)&(F) to panel (8) with screws(I).
- Insert wood dowels (K) into panel(8).



			
(E)	*1	(F)	*1
		(K)	*4
			(I)
			*6

STEP 4

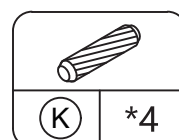
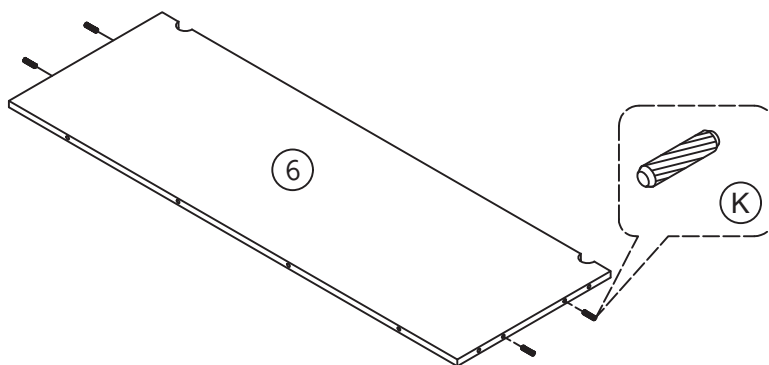
-Attach panel (2)&(3) to (7)&(8)&(9) and lock with cam (B).



9

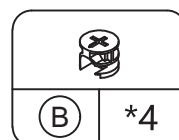
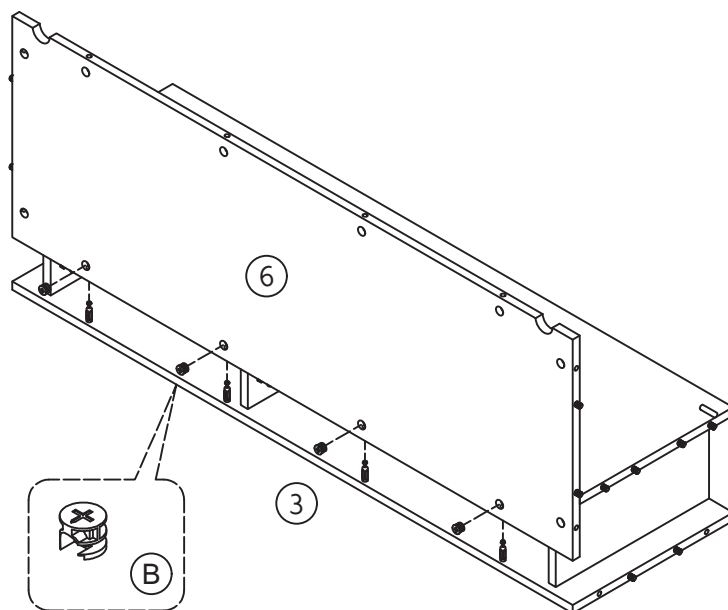
STEP 5

-Insert wood dowels (K) into panel(6) as shown below.



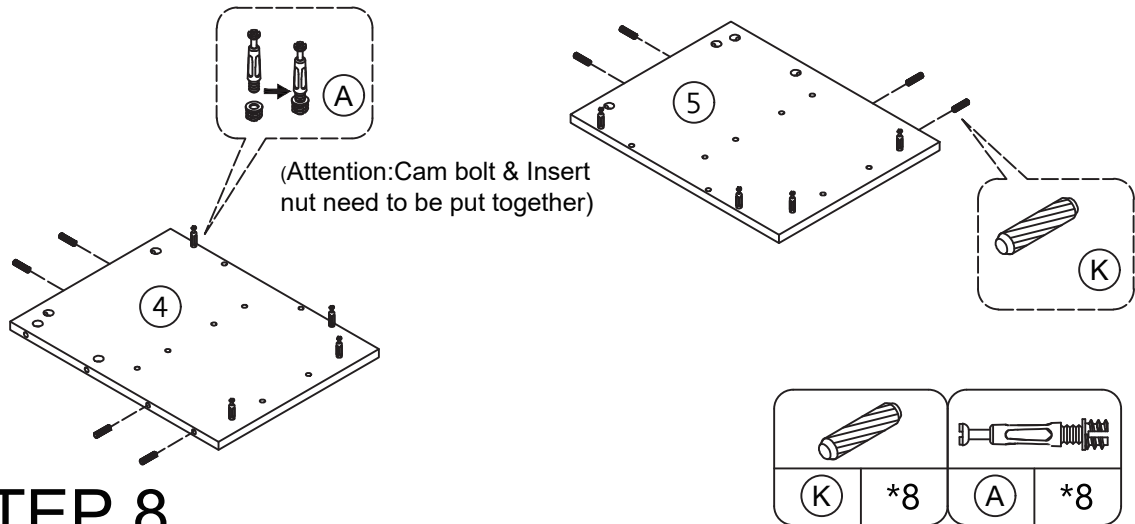
STEP 6

-Attach panel (6) to (3) and lock with cam (B).



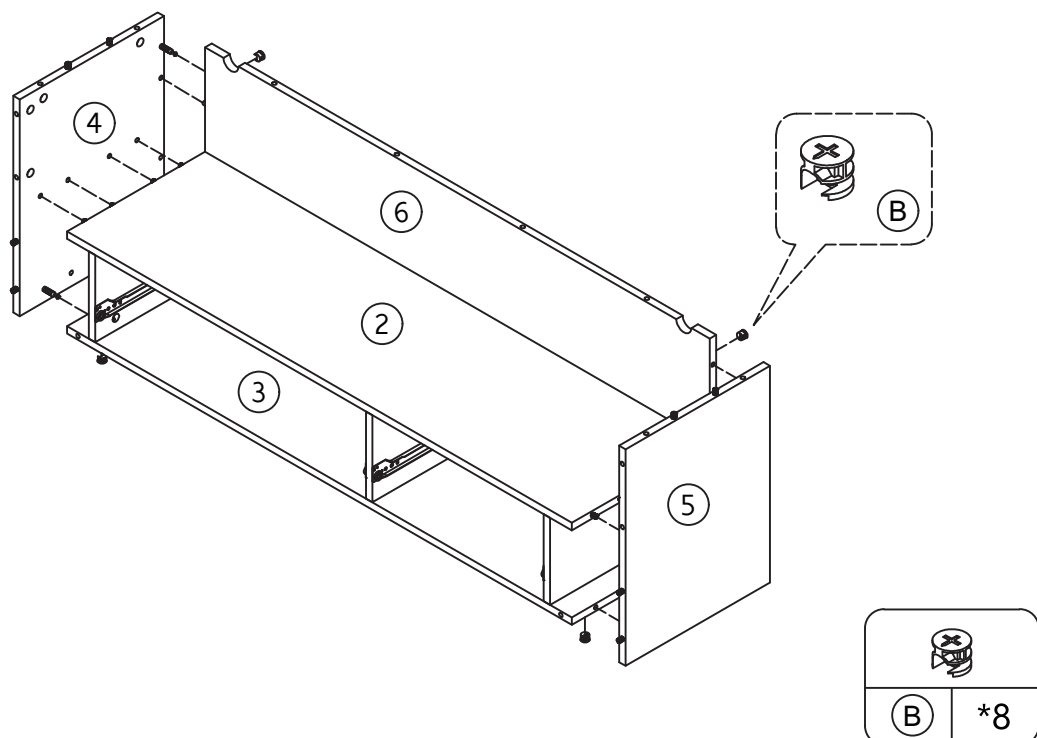
STEP 7

- Screw cam bolt(A) into panel (4)&(5) as shown below.
- Insert wood dowels (K) into panel(4)&(5).



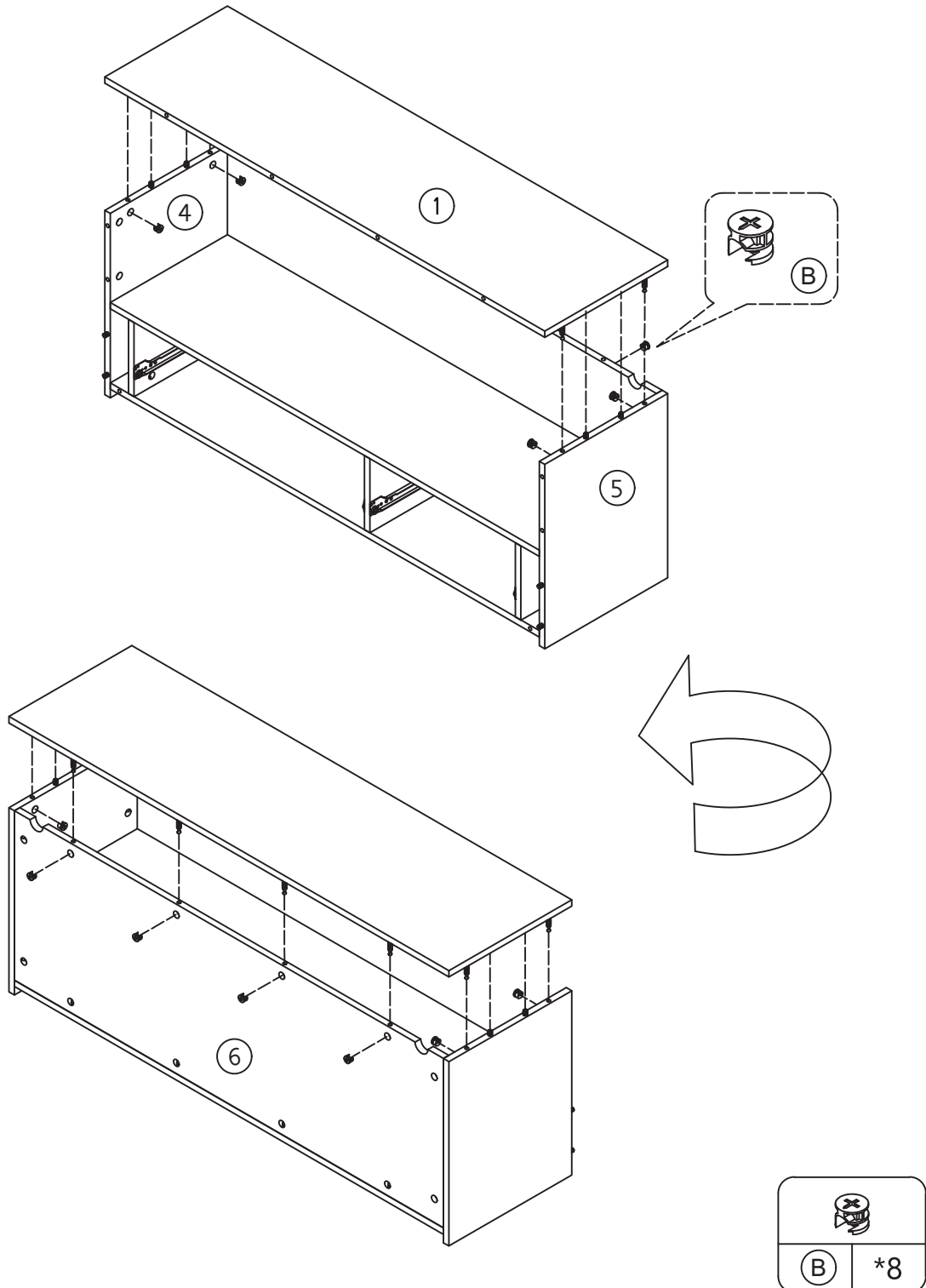
STEP 8

- Attach panel (4)&(5) to (2)&(3)&(6) and lock with cam (B).



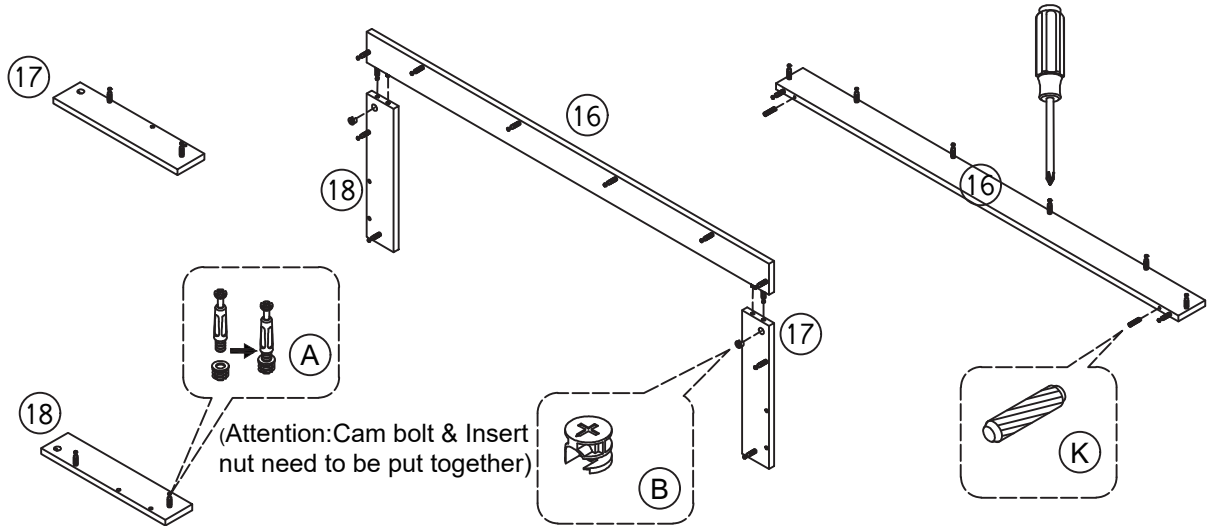
STEP 9

-Attach panel (1) to (4)&(5)&(6) and lock with cam lock (B).



STEP 10

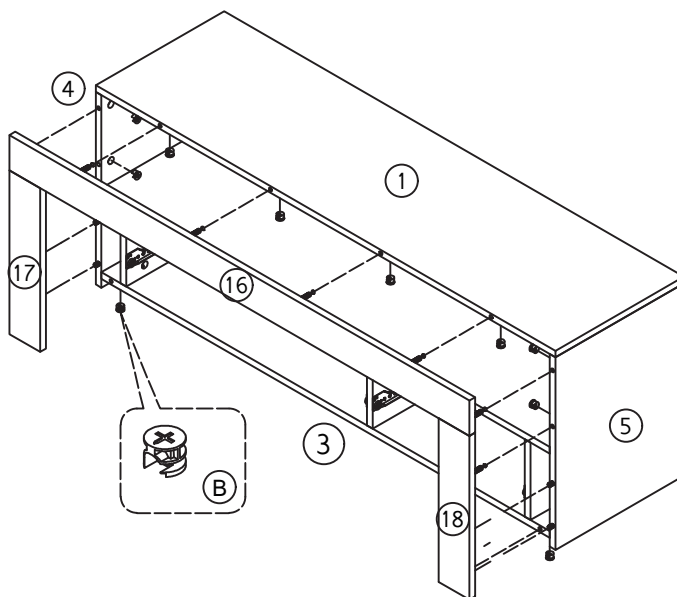
- Screw cam bolt(A) into panel (16)&(17)&(18);Insert wood dowels (K) into panel(16).
- Attach panel (16) to (17)&(18) and lock with cam lock (B).



(K) *2	(B) *2	(A) *12

STEP 11

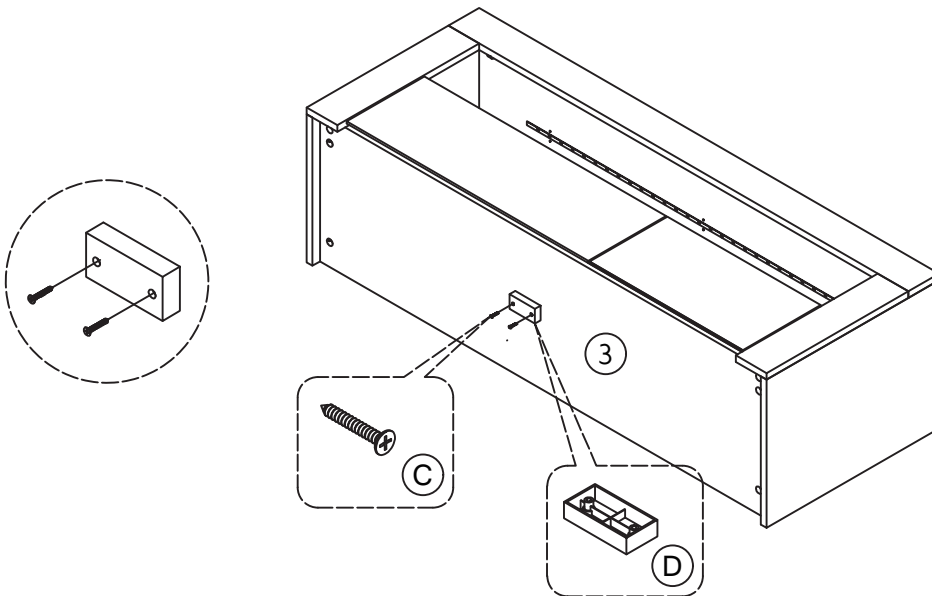
- Attach panel (16)&(17)&(18) to (1)&(3)&(4)&(5) and lock with cam (B).



(B) *10

STEP 12

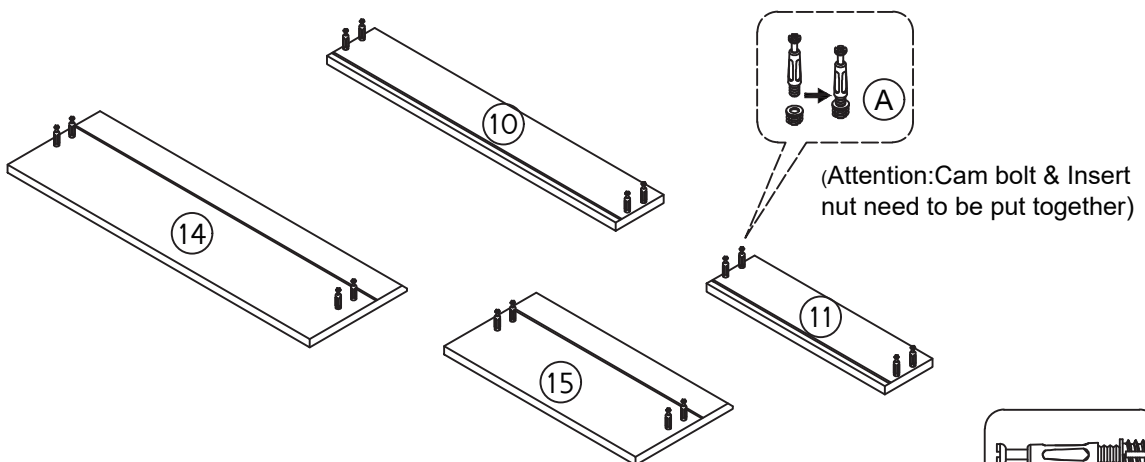
-Connect the foot (D) to the panel (3) with screws (C);



STEP 13

(D)	*1	(C)	*2

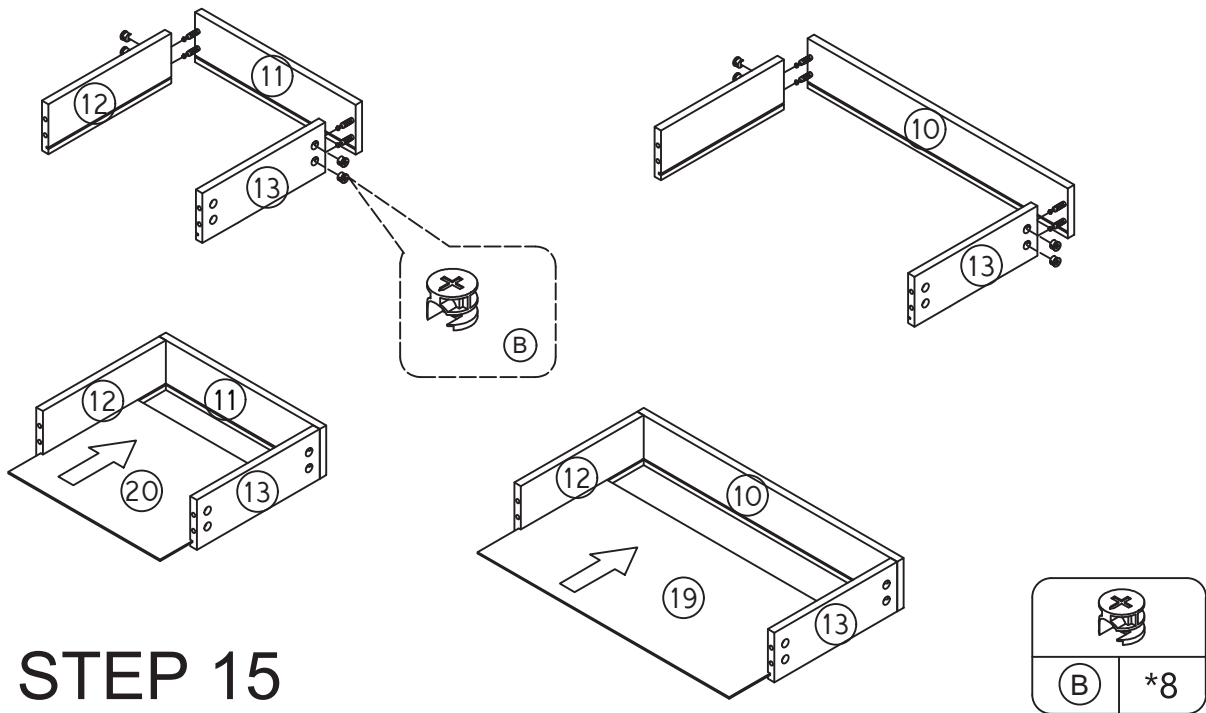
-Screw cam bolt(A) into panel (10)&(11)&(14)&(15) as shown below.



(A)	*16

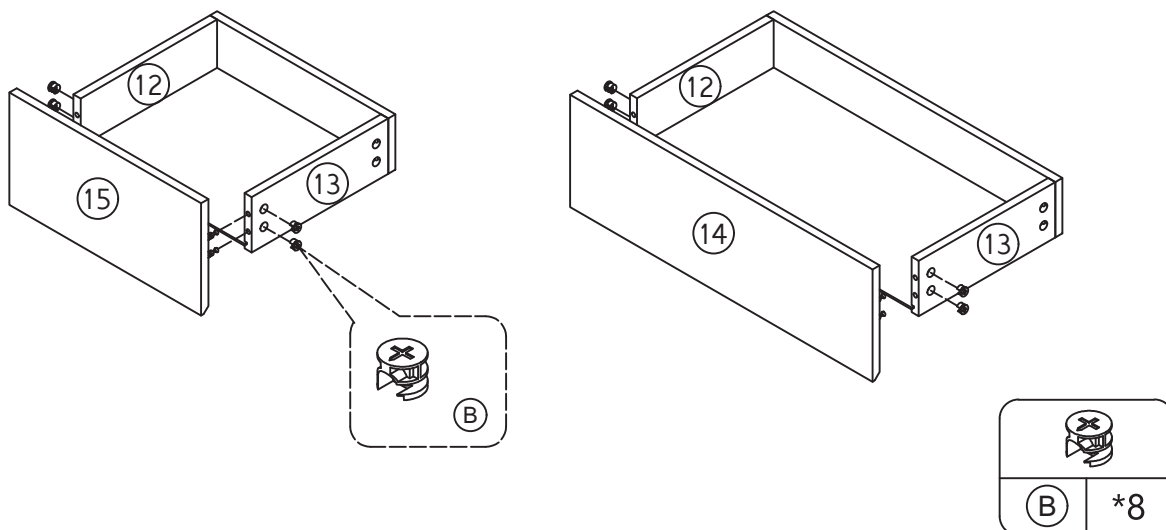
STEP 14

- Attach panel (11) to (12)&(13) and lock with cam lock (B).
- Insert panel (20) into the grooves; Assemble the other one in the same way



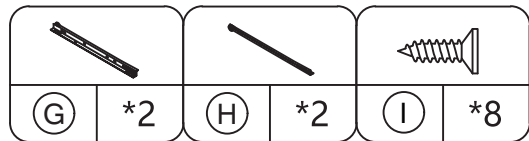
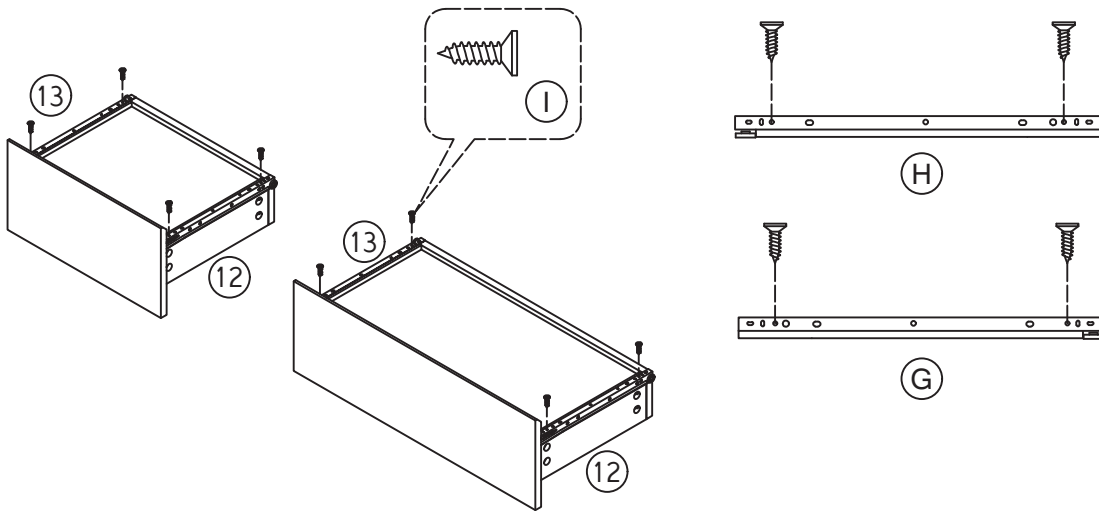
STEP 15

- Attach drawer panel (14)&(15) to (12) &(13) and lock with cam (B);



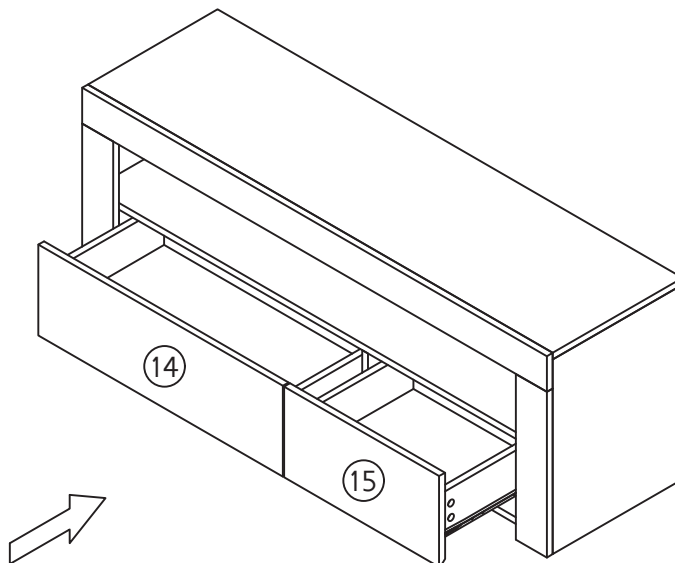
STEP 16

-Install drawer track (G)&(H) to panel (12)&(13) with screws(I).



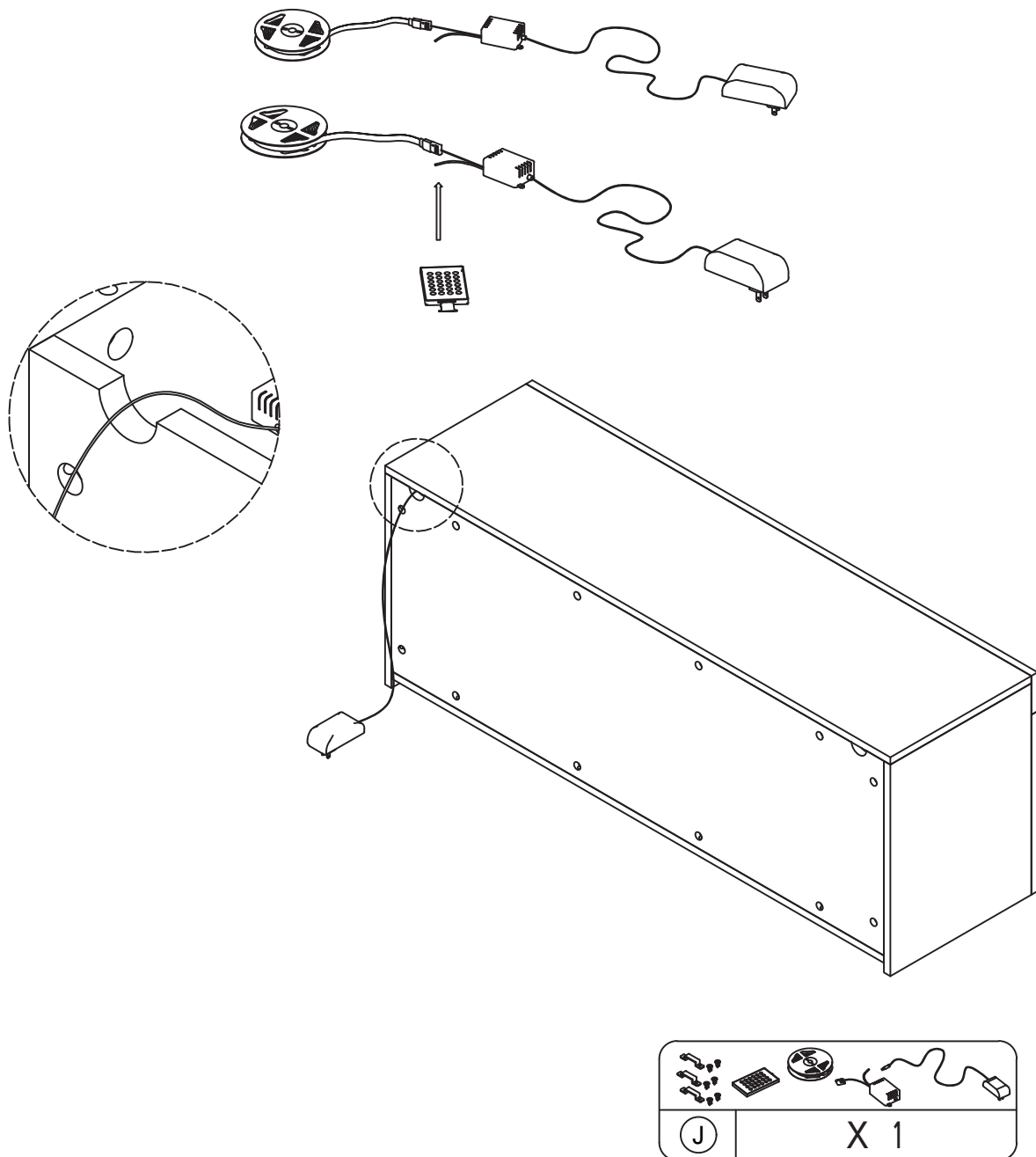
STEP 17

-Insert the drawers



STEP 18

- Connected pin of LED and power adapter to the RGB control box as below.
 - Remove the battery protection pad from remote controller; Align remote controller to the RGB Control box to adjust the color mode; Specifications of battery: cr2025 3v
 - LED lamp with effective remote control distance of 5 meters
-



STEP 19

- Installation complete.

