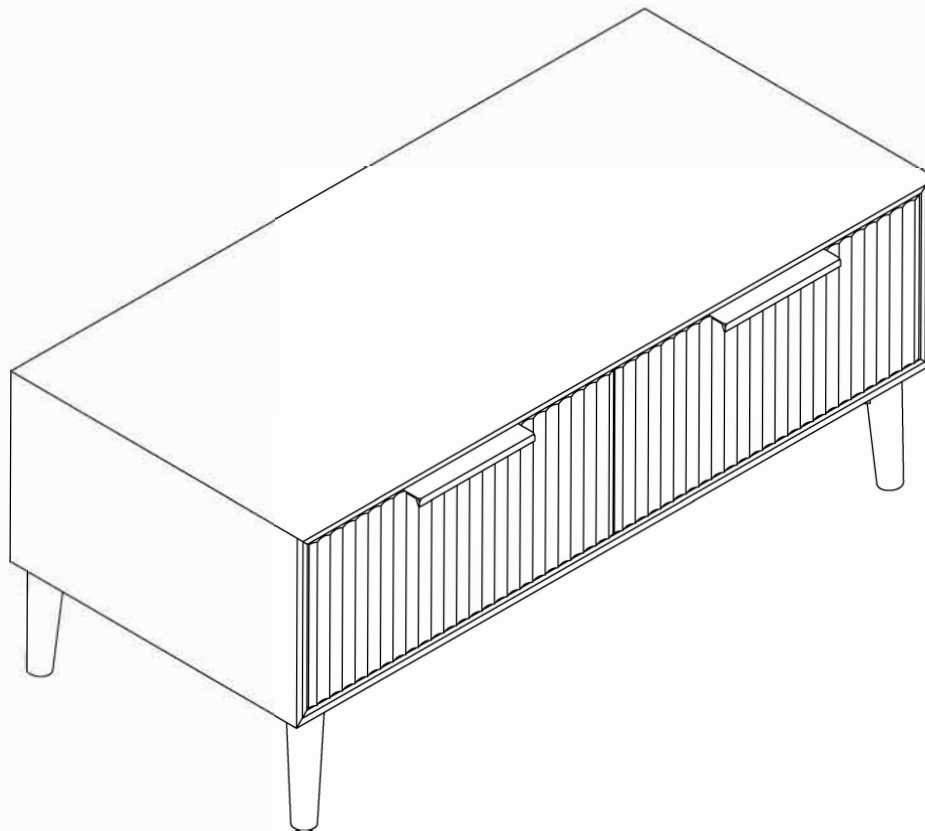


# Coffee Table with Drawer on both sides BLACK / GREY

*Instruction manual*

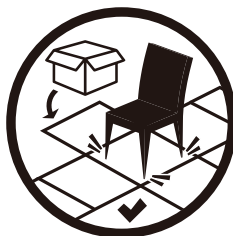




# SAFETY AND CARE ADVICE

PLEASE READ THESE INSTRUCTIONS CAREFULLY AND KEEP FOR FUTURE

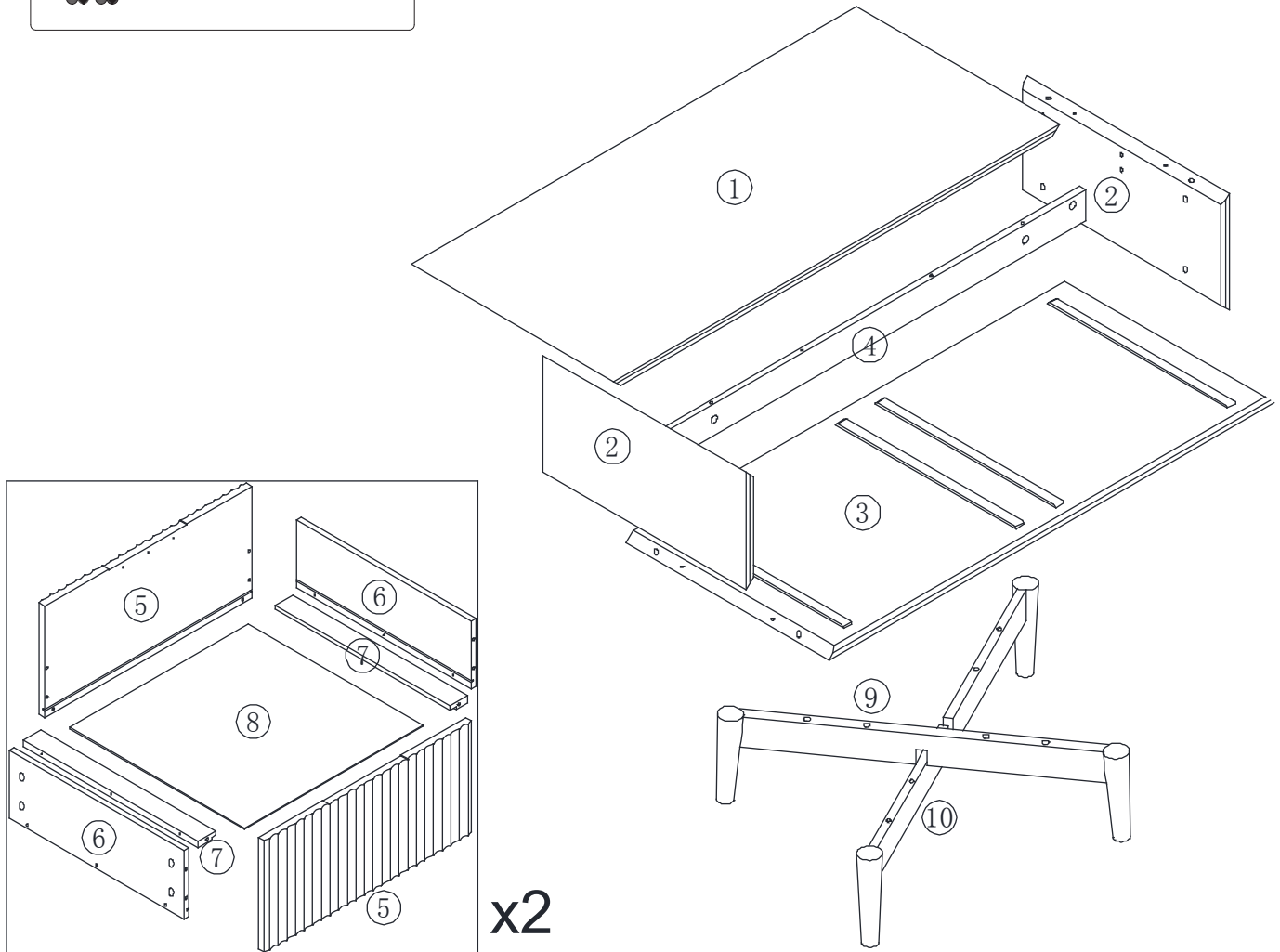
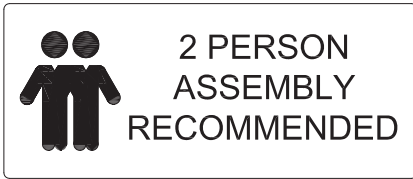
- *Check you have all the components and tools listed on pages 2 or 3.*
- *Remove all fittings from the plastic bags and separate them into their groups.*
- *Keep children and animals away from the work area, small parts could choke if swallowed.*
- *Make sure you have enough space to layout the parts before starting.*
- *Do not stand or put weight on the product, this could cause damage.*
- *Assemble on a soft level surface to avoid damaging the unit or your floor (use opened out unit carton).*
- *We do not recommend the use of power drill/drivers for inserting screws, as this could damage the unit. Only use hand screwdrivers.*



# COMPONENTS

# PANELS

Please check you have all the fittings listed below:



## PANEL LIST

1	Top Panel	x1	6	Drawer Side Panel	x4
2	Side Panel	x2	7	Drawer Rail	x4
3	Bottom Panel	x1	8	Drawer Bottom Panel	x2
4	Drawer Rail	x1	9	Upper Base Frame	x1
5	Drawer Front	x4	10	Lower Base Frame	x1

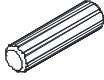
# COMPONENTS

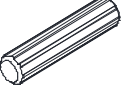
# FITTINGS

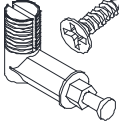
Please check you have all the fittings listed below:

A   
Peg M6\*35mm x20

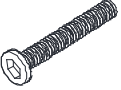
B   
Lock x20

C   
Dowel M6\*30mm x20


D   
Dowel M8\*30mm x4

E   
Peg M6\*35mm x8

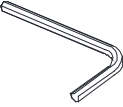
F   
Lock x8

G   
Bolt M6\*50mm x4

H   
Screw M3.5\*12mm x12

I   
Handle x4

J   
Screw M4\*35mm x12

K   
Allen Wrench x1

L   
Felt Mat x4

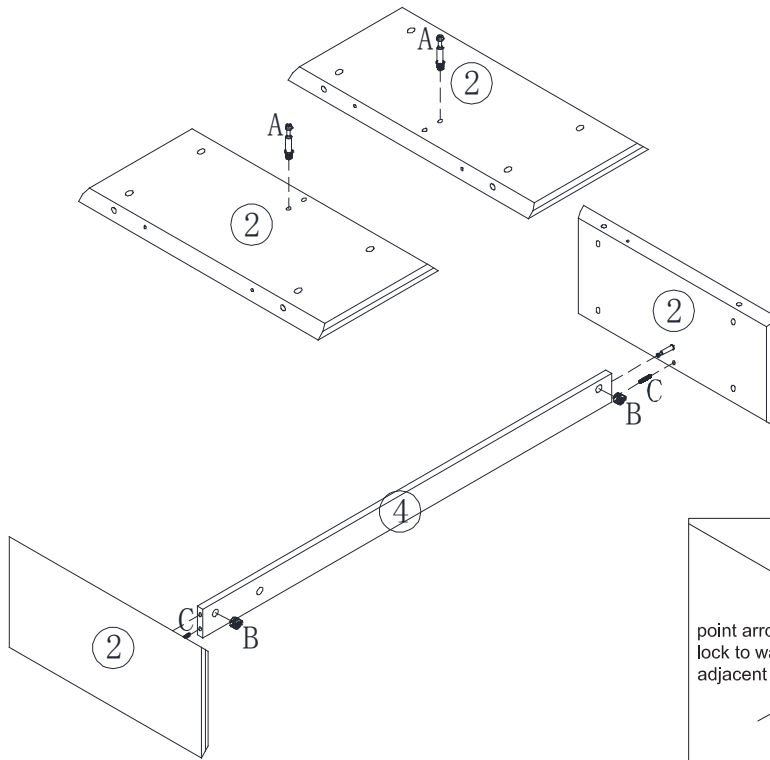
TOOLS NEEDED



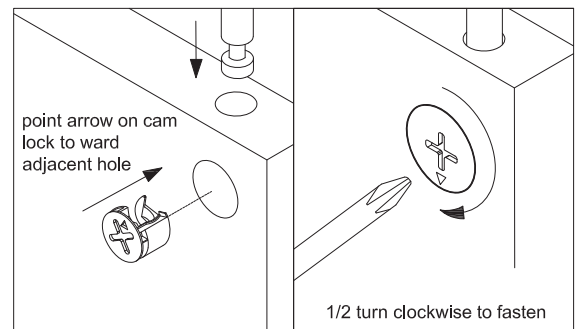
Phillips Screwdriver x1

# ASSEMBLY INSTRUCTIONS

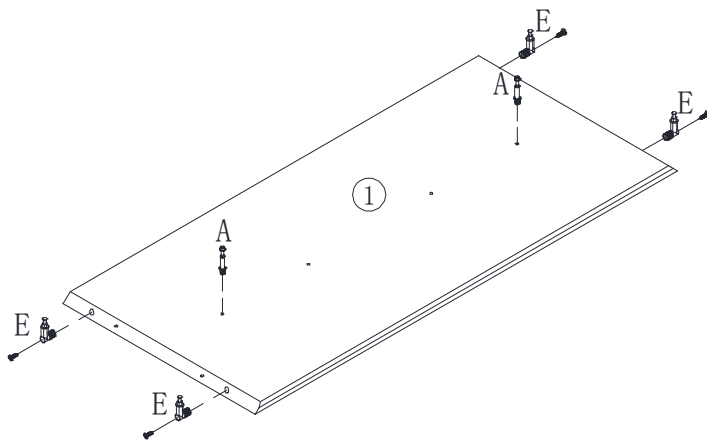
## Step 1



A		2	
C		2	
B		2	



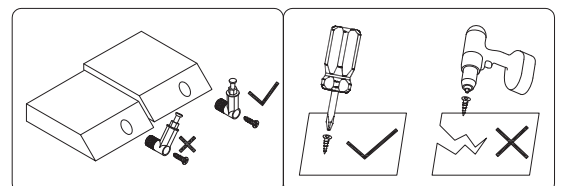
## Step 2



A		2	
E		4	

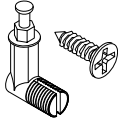

### Warning:

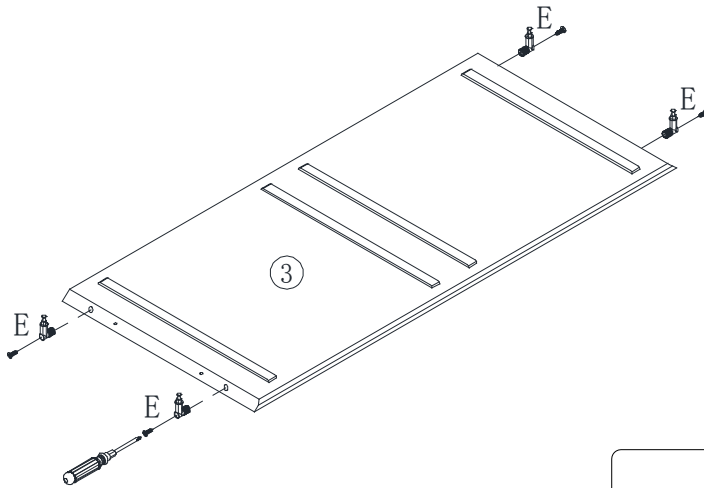
Don't use power tools when screwing. Ensure pegs straight when screwing.



# ASSEMBLY INSTRUCTIONS

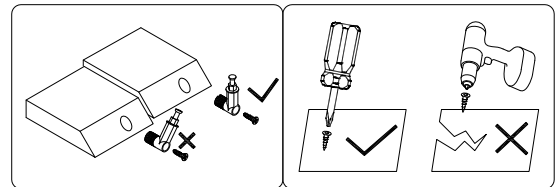
## Step 3

E		4	
---	---	---	---

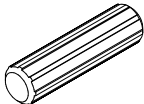






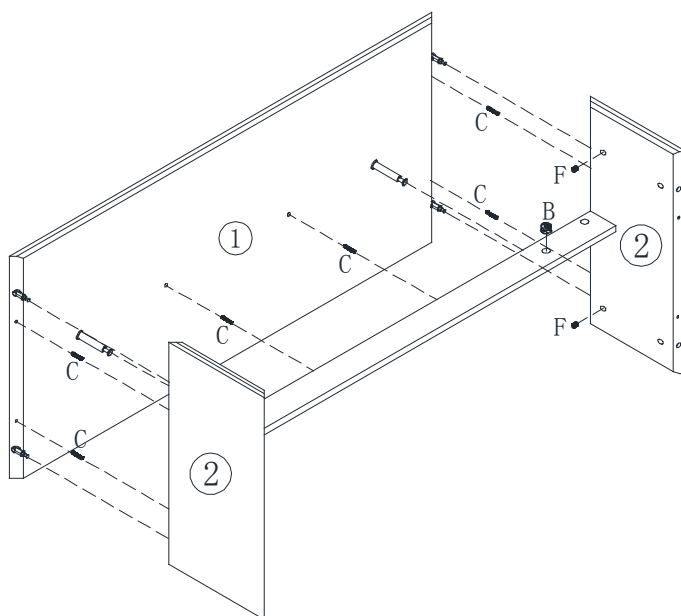
### Warning:

Don't use power tools when screwing. Ensure pegs straight when screwing.



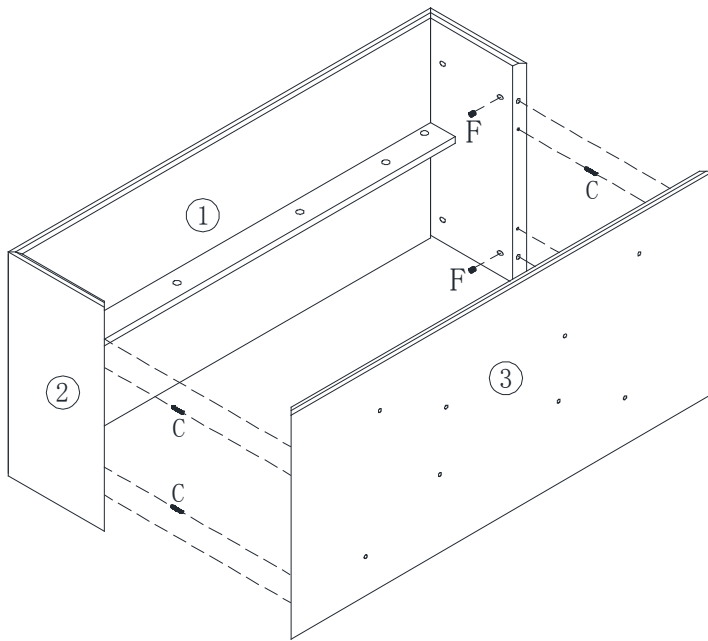
## Step 4

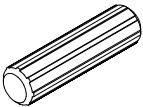
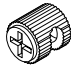
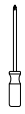
C		6	
B		4	
F		4	

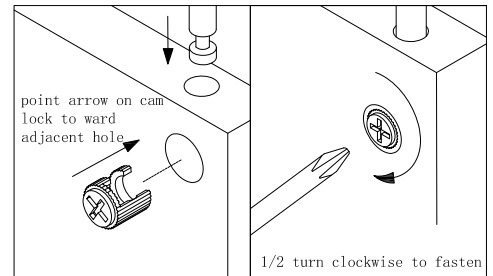


# ASSEMBLY INSTRUCTIONS

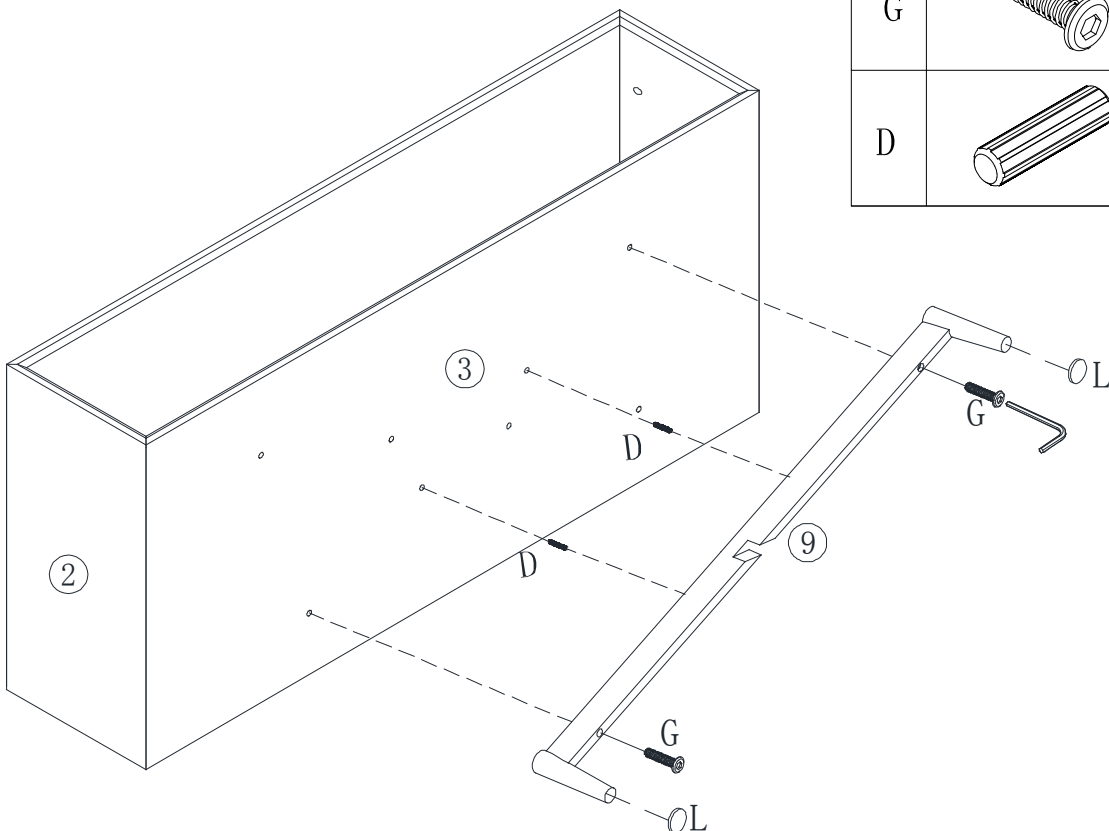
## Step 5

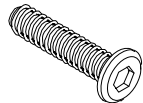

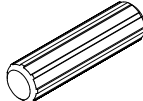


C		4	
F		4	



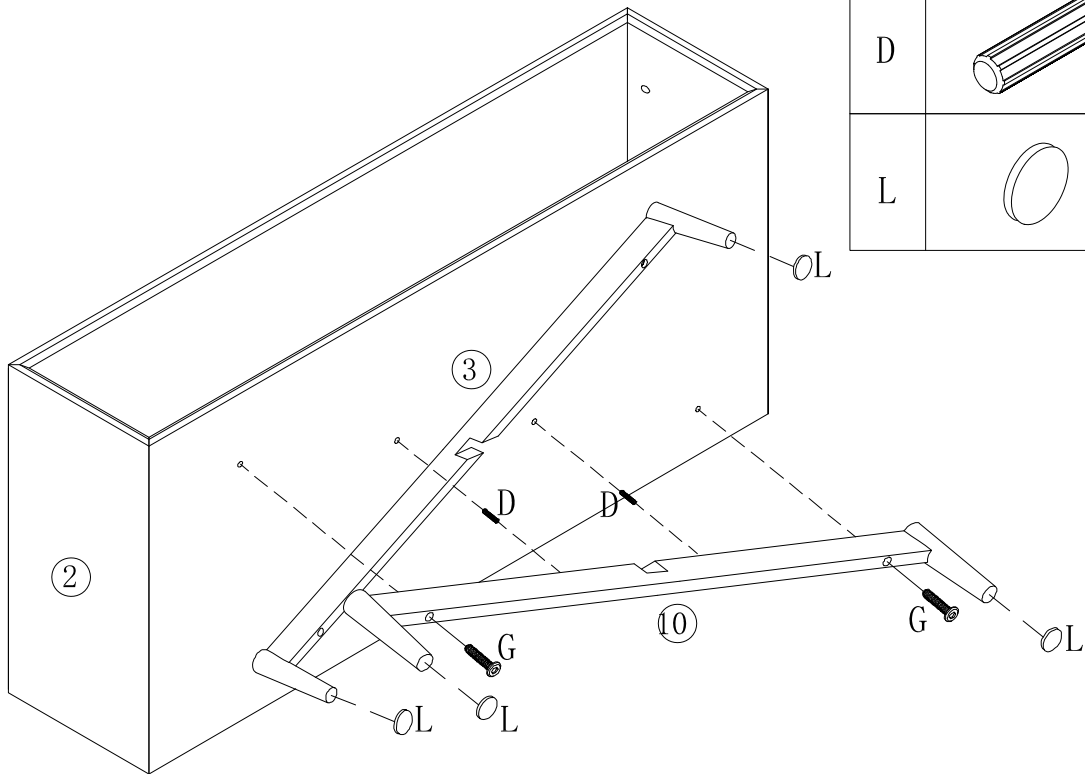
## Step 6



G		2	
D		2	

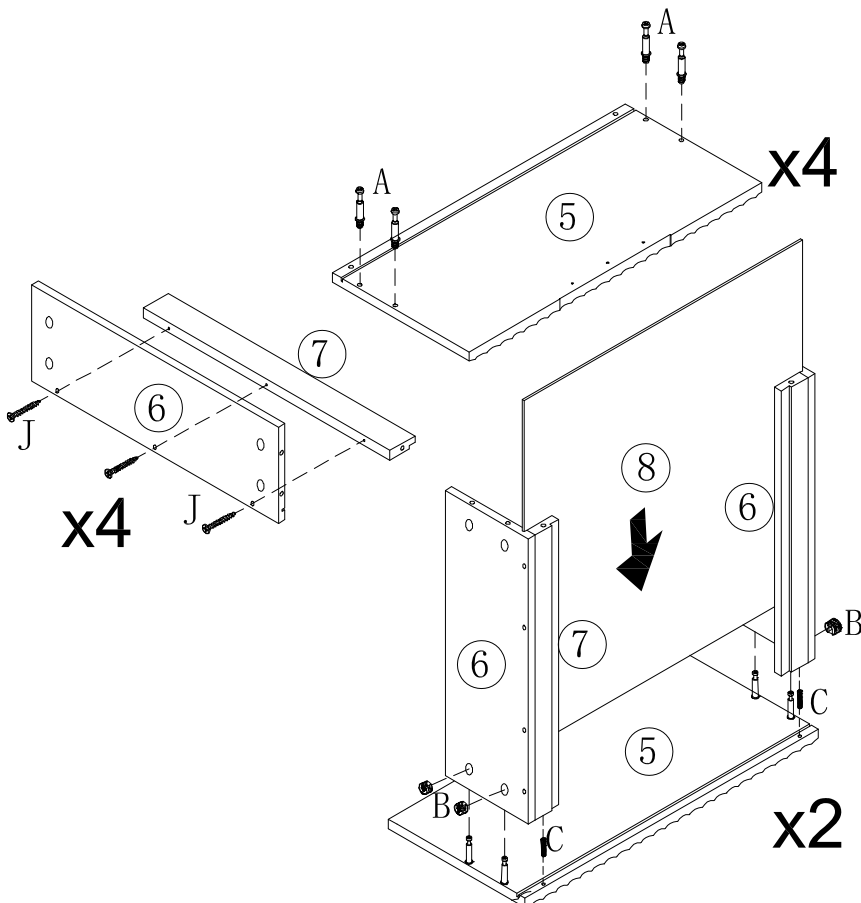
# ASSEMBLY INSTRUCTIONS

## Step 7



G		2	
D		2	
L		4	

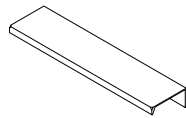


## Step 8

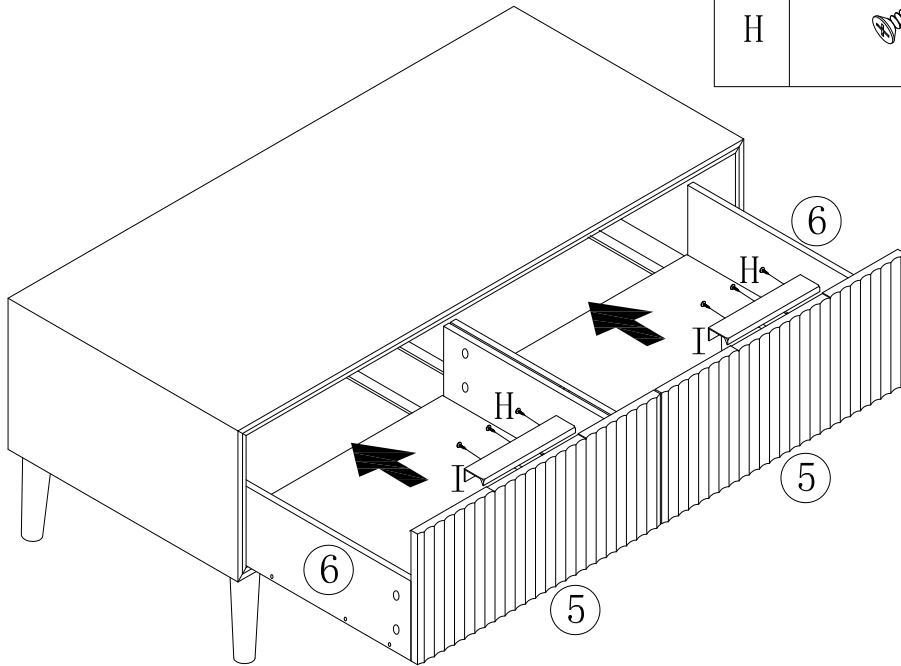


A		16	
B		8	
J		12	
C		4	

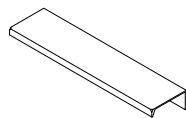




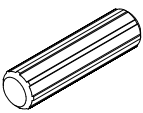
# ASSEMBLY INSTRUCTIONS

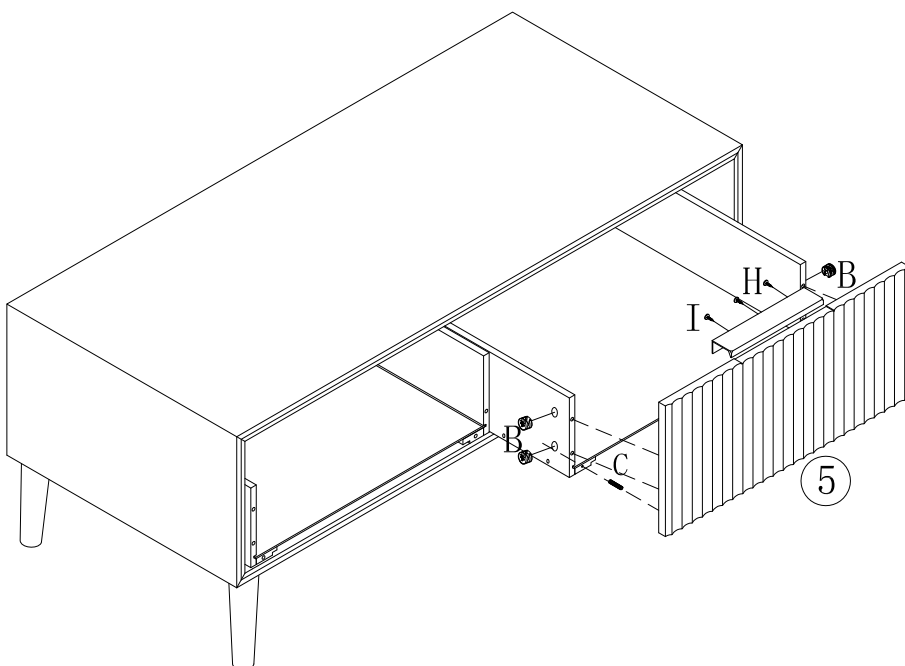
Step 9

I		2	
H		6	



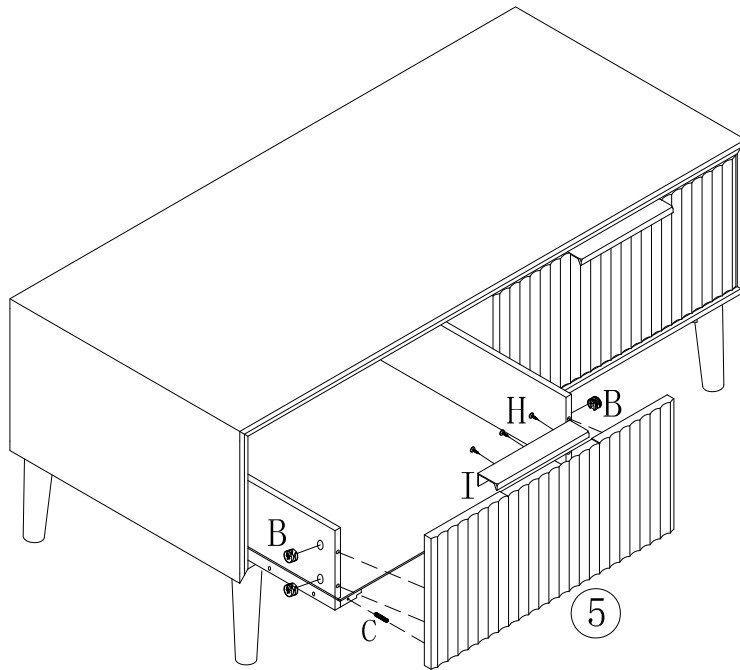
Step 10

I		1	
H		3	
B		4	
C		2	



# ASSEMBLY INSTRUCTIONS

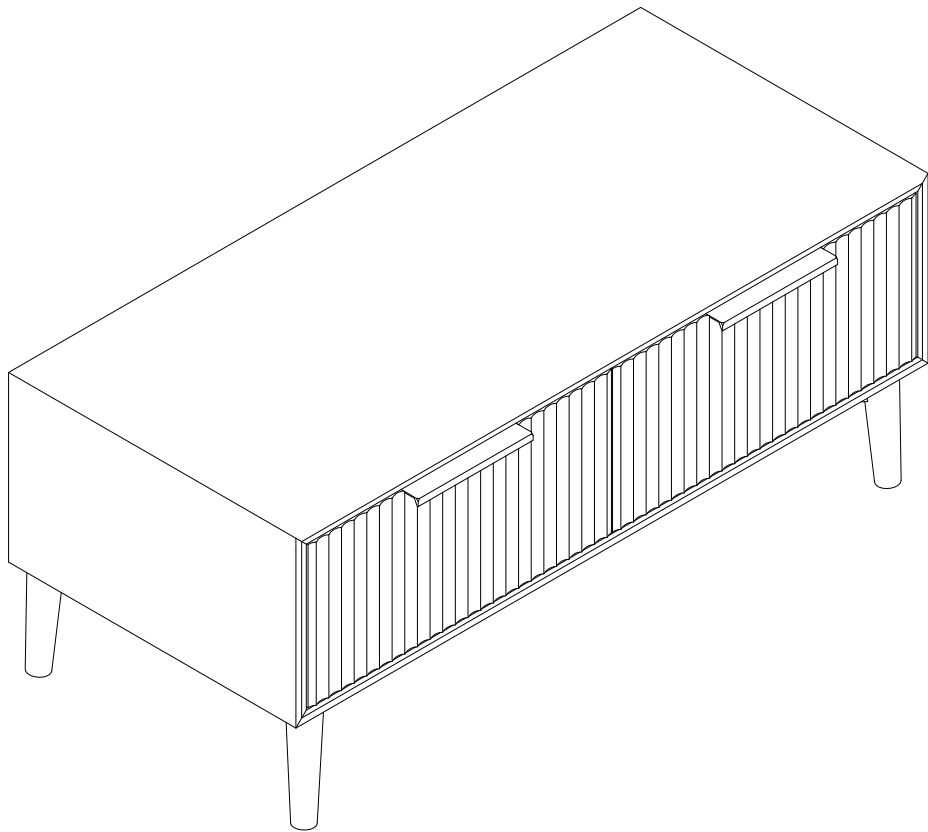
Step 11



I		1	
H		3	
B		4	
C		2	

# ASSEMBLY INSTRUCTIONS

---



Congratulations.  
Now you have finished assembling the product.