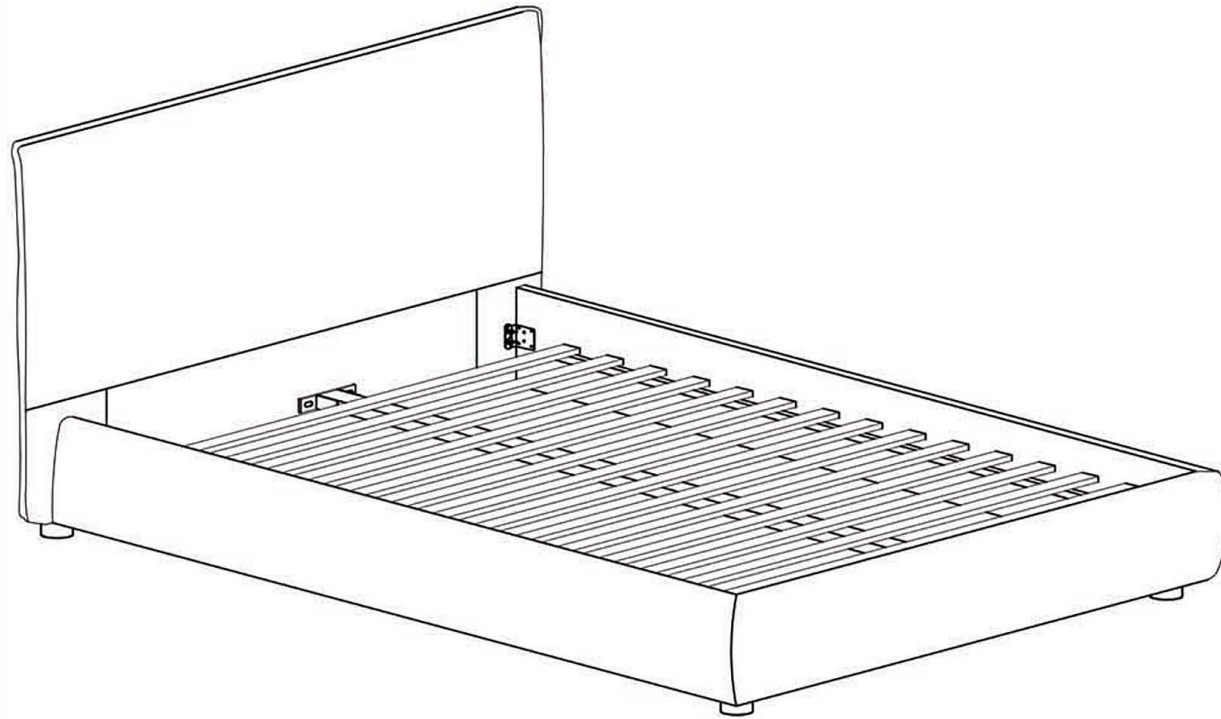












ASSEMBLY INSTRUCTIONS.

KING BED SAND



THANK YOU FOR YOUR PURCHASE!

PARTS AND HARDWARE.

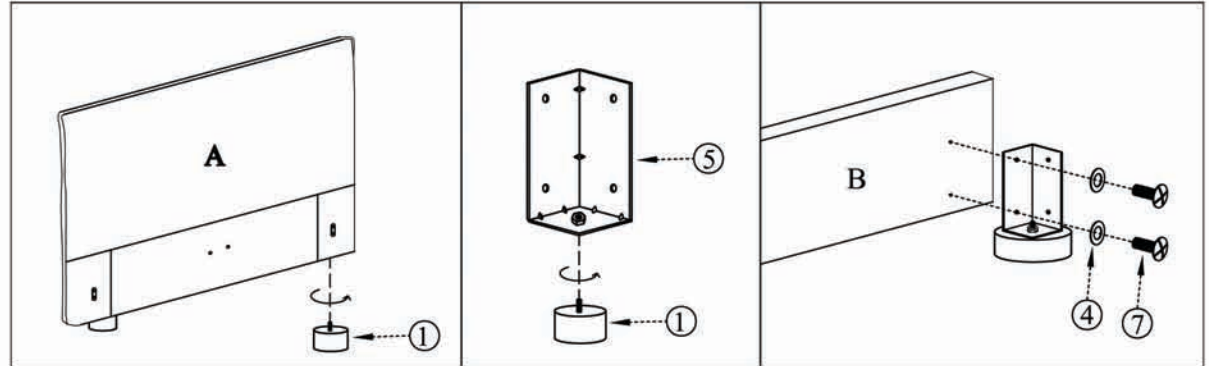
	
Foot	Gold Bolt (m8*18)
① X 4	② X 4
	
Allen Key	Washers (m8)
③ X 1	④ X 8
	
Brackets	Bolts(m8*20)
⑤ X 2	⑦ X 8
	
Headboard	Footboard
A X 1	B X 1
	
Left Side Rail	Right Side Rail
C X 1	D X 1

NOTES.

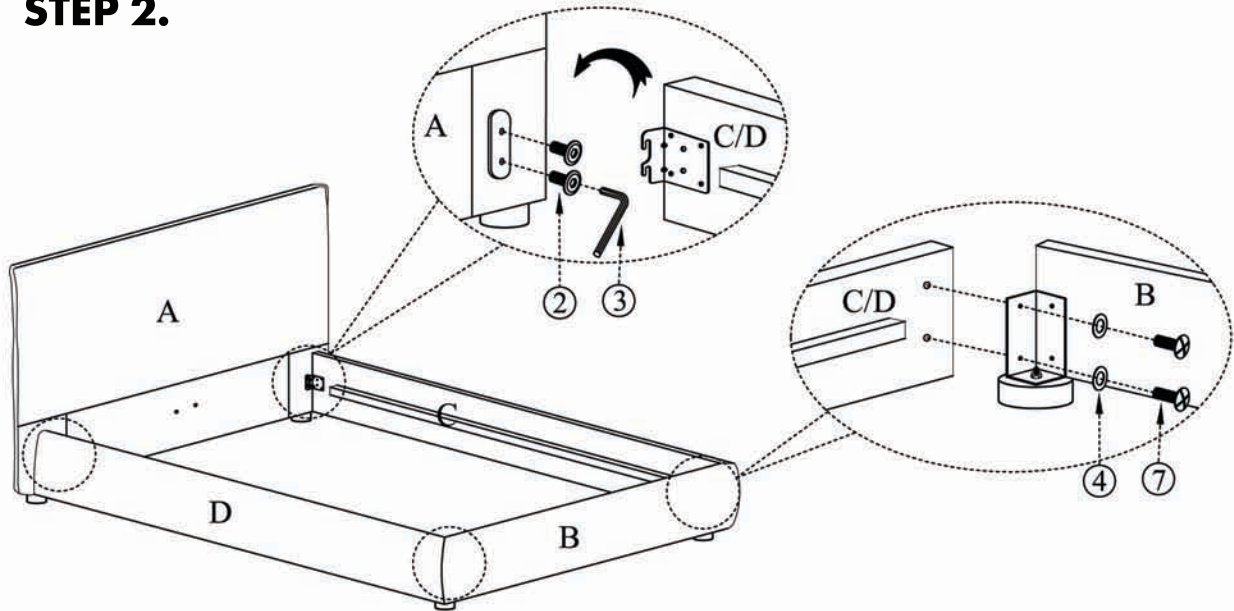
Thank you for purchasing this quality product! Be sure to check all packing material careful for small part that may have come loose inside the carton during shipping.

CAUTION: The item is heavy, assembly should be performed by two people.


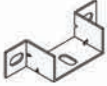




STEP 1.



STEP 2.



PARTS AND HARDWARE.

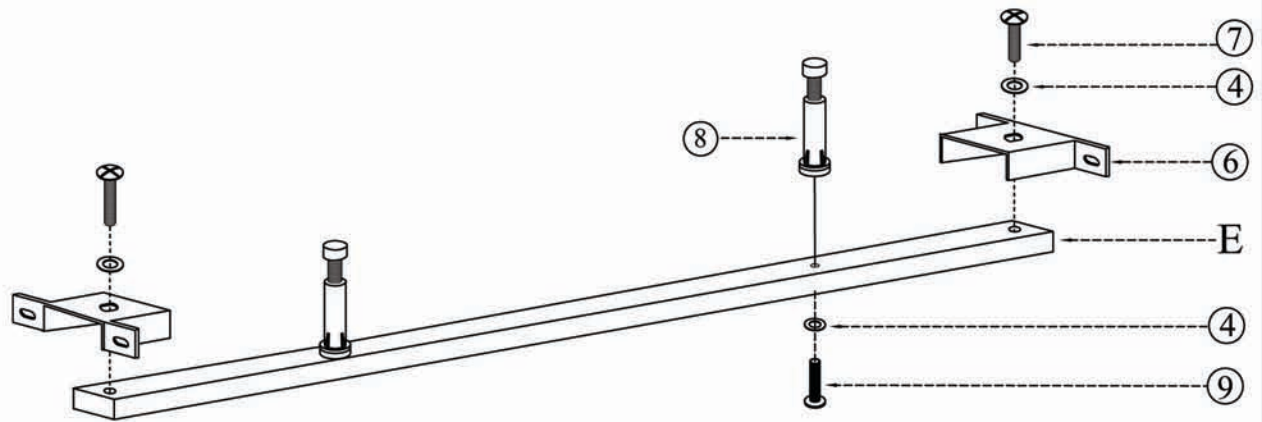
	
Washers (m8) ④ X 8	Brackets ⑥ X 2
	
Bolts(m8*20) ⑦ X 6	Plastic Support legs ⑧ X 2
	
Bolts (m8*40) ⑨ X 2	Center Support E X 1

NOTES.

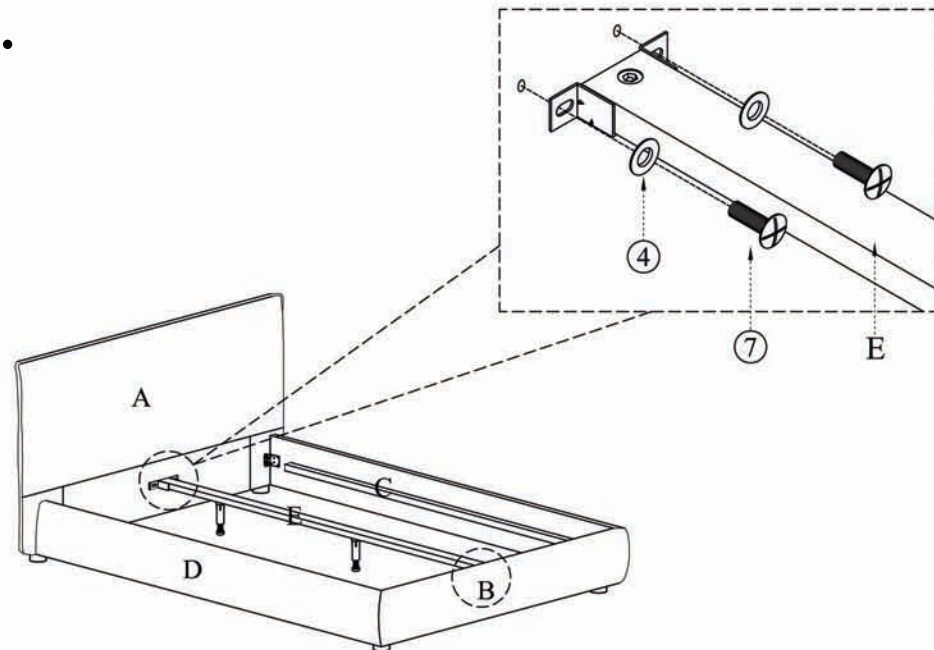
Thank you for purchasing this quality product!
Be sure to check all packing material careful for small part that may have come loose inside the carton during shipping.

CAUTION: The item is heavy, assembly should be performed by two people.

STEP 3.



STEP 4.



PARTS AND HARDWARE.



Screws(m8*32)

⑩ X 42



Slats

F X 1

NOTES.

Thank you for purchasing this quality product!
Be sure to check all packing material careful
for small part that may have come loose
inside the carton during shipping.

CAUTION:The item is heavy,assembly
should be performed by two people.

STEP 5.

