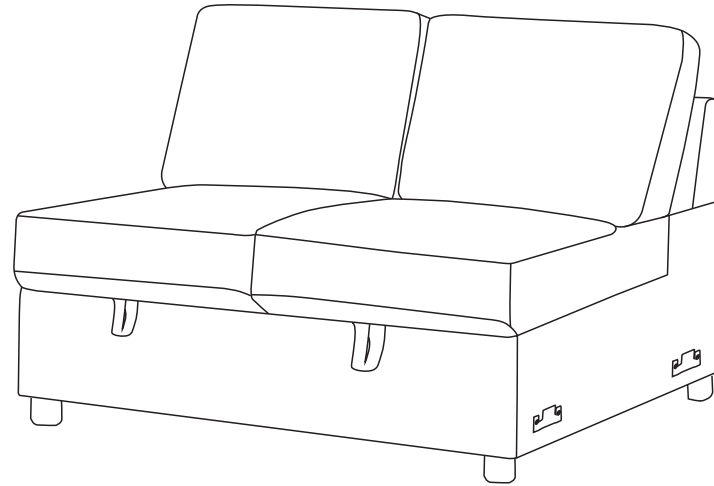
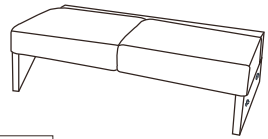


# ASSEMBLY INSTRUCTION

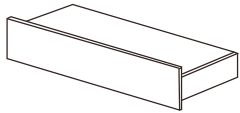


## PARTS LIST



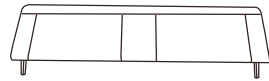
**A**

x1



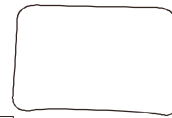
**B**

x1



**C**

x1



**D**

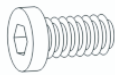
x2

## HARDWARE LIST



**1**

x4



**2**

M6X25

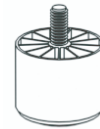
x8



**3**

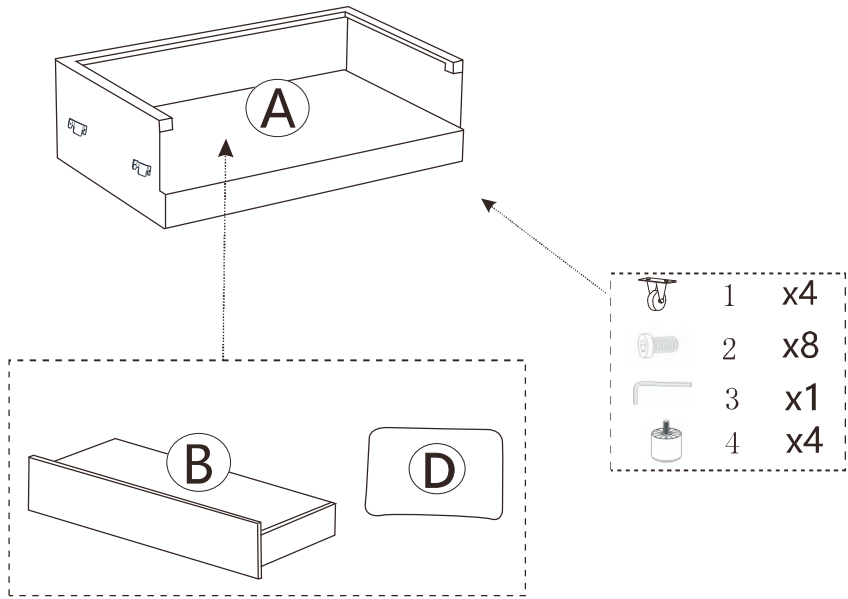
M4

x1

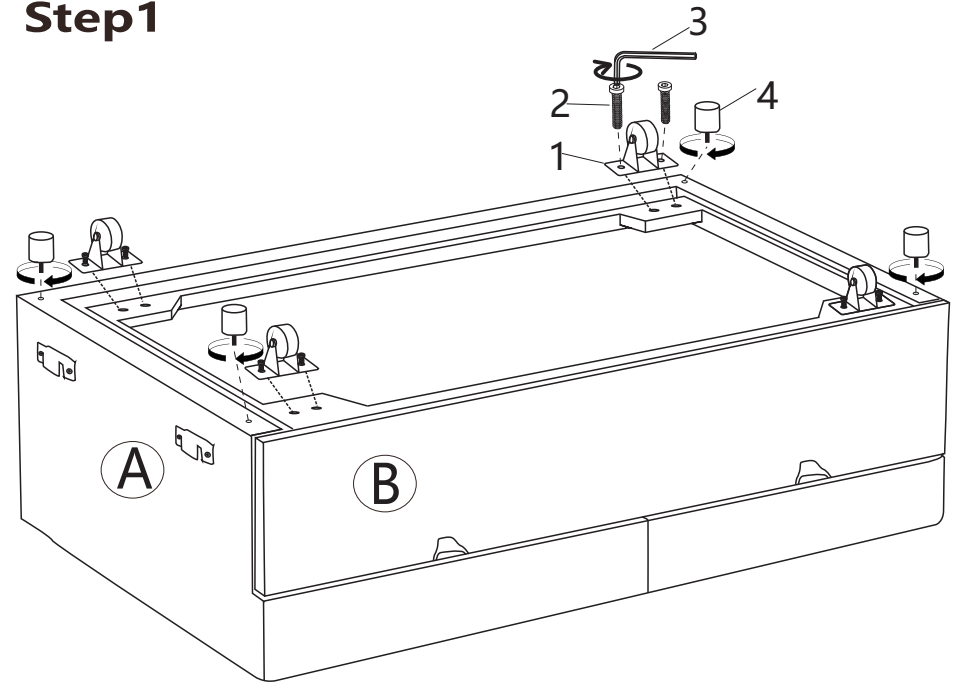


**4**

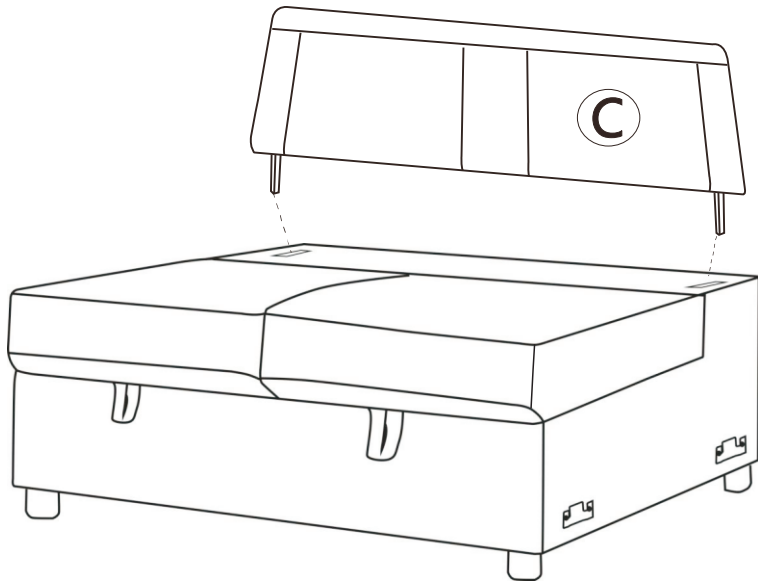
x4



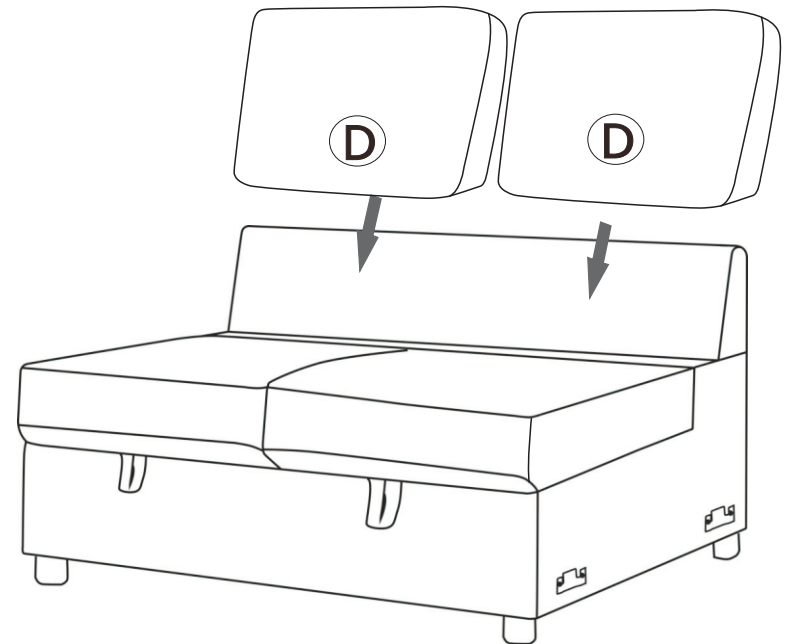
### Step1



### Step2



### Step3



# Step4

