

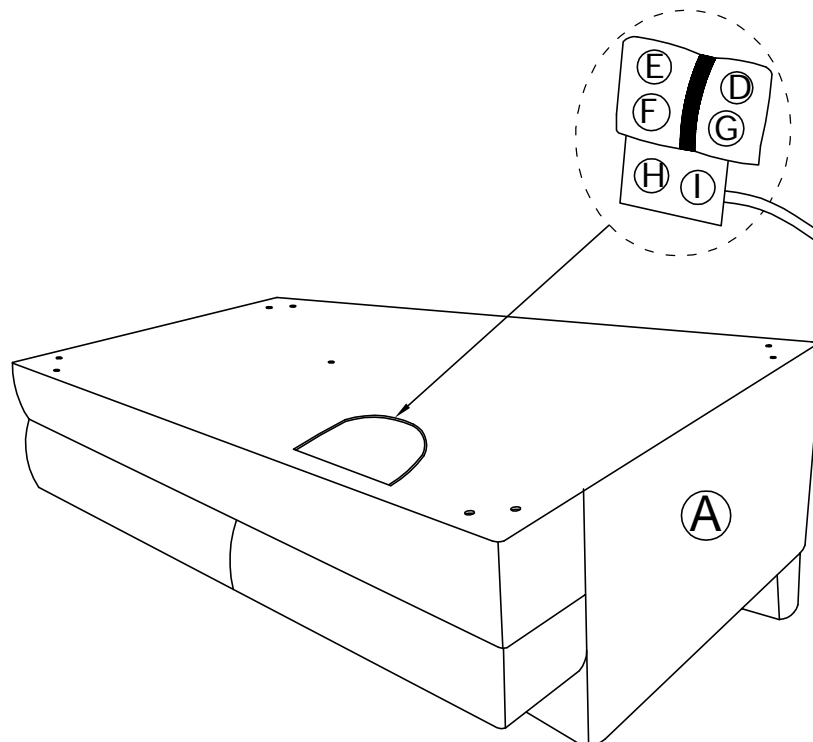
ASSEMBLY INSTRUCTION

LSF 2-SEATER

NO.	PARTS LIST	QTY	DESCRIPTION	NO.	PARTS LIST	QTY	DESCRIPTION
A		1	Seat Frame	G		8	Allen Bolt ØM8*75
B		1	Left Back Cushion	H		8	Flat Washer M8*Ø19*1.5mm
C		1	Right Back Cushion	I		1	Allen Key M5*100*38mm
D		4	Wooden Leg 145*145*70mm	K		1	Geometric pattern pillow 21"*21"
E		1	Wooden Support Leg 65*60*60mm	L		1	Line pattern pillow 21"*21"
F		1	Washer				

STEP 1:

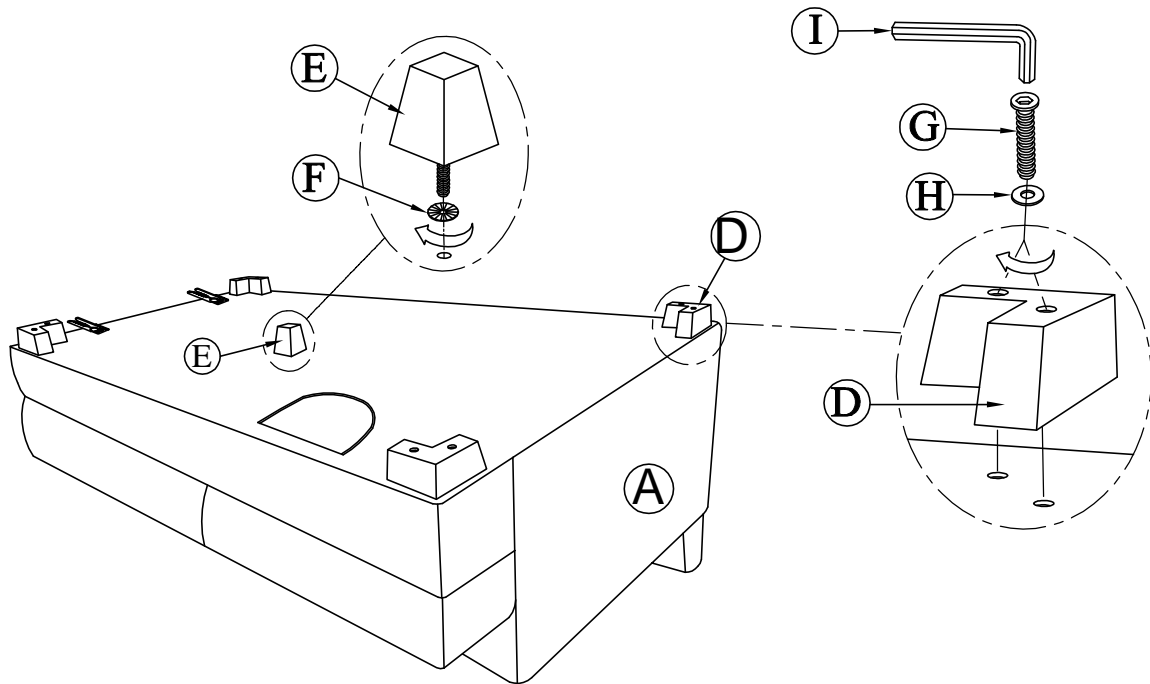
Location of KD parts
Take out legs from the zippered pocket.



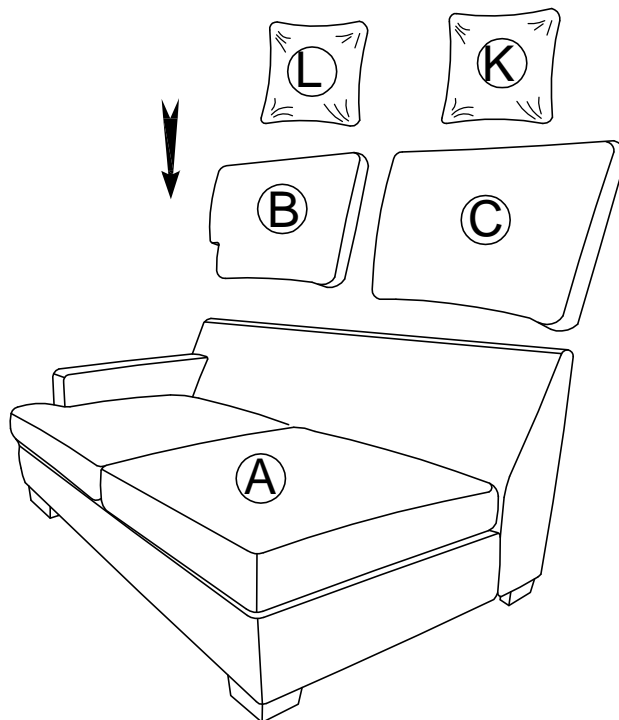
ASSEMBLY INSTRUCTION

LSF 2-SEATER

STEP 2: Use Allen Bolt (G), Flat Washer (H) and Allen Key (I) to fix Wooden Legs (D) on Seat Frame (A). Wooden Support Leg (E) and Washer (F) tightly by hand.



STEP 3: Insert the Left Back Cushions(B), Right Back Cushions(C) and Pillow (K),(L) to Seat Frame(A).



CARE INSTRUCTION FOR FABRIC FURNITURE





In order to maintain the original appearance of your fabric furniture, please follow below simple care procedures.

°Avoid exposing furniture directly to sunlight or heating and air conditioning outlets. Exposure to sunlight or heating and air conditioning outlets will fade/damage fabric.

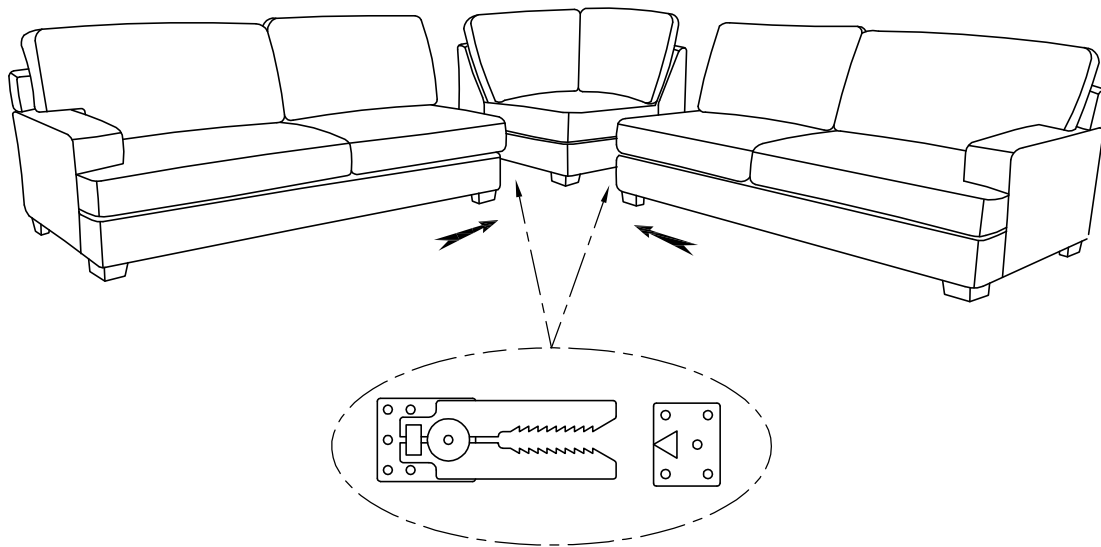
°Wipe gently with a damp soft cloth to remove dust, dirt and any grime build up.

ASSEMBLY INSTRUCTION

LSF 2-SEATER

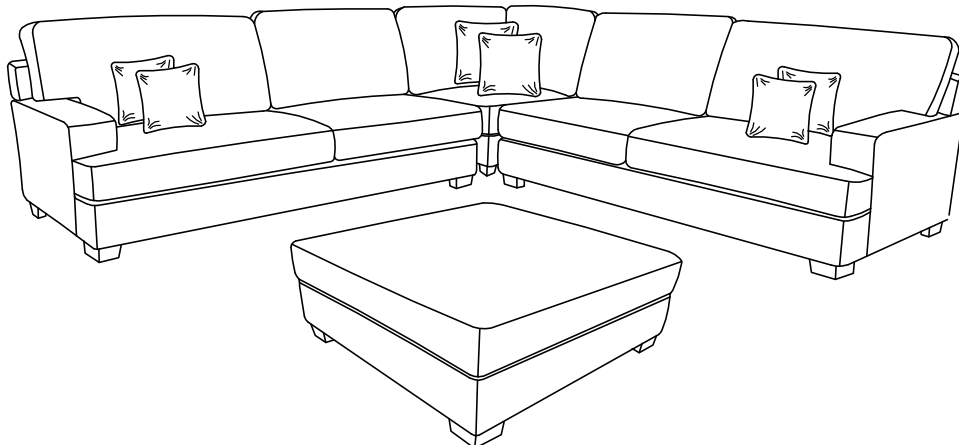
NO.	PARTS LIST	QTY	DESCRIPTION
A		1	CORNER SEAT
B		1	LSF 2-SEATER
C		1	RSF 2-SEATER
D		1	OTTOMAN

STEP 4:









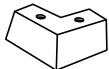




STEP 5:

Completed



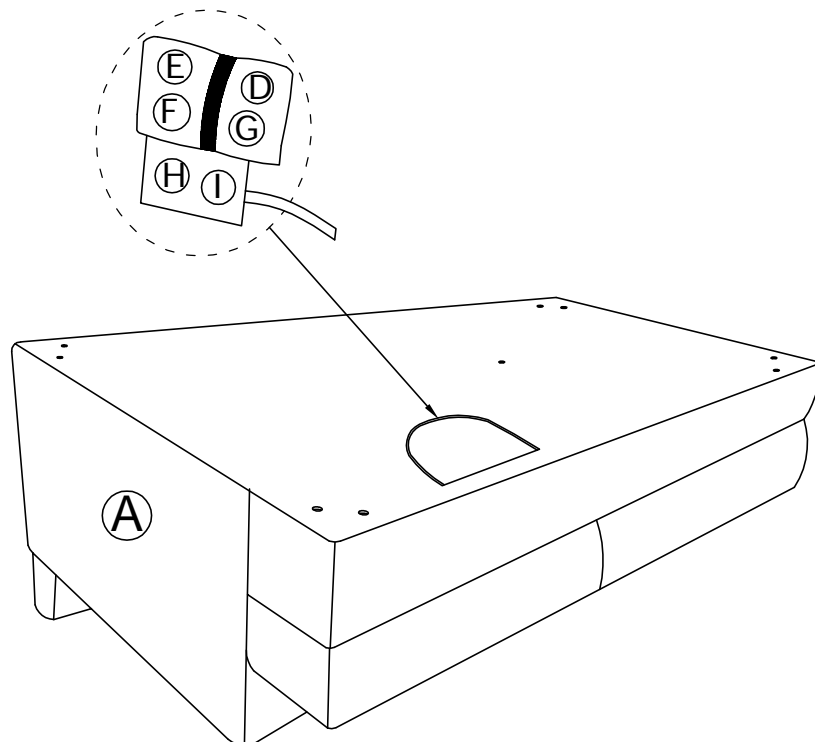
ASSEMBLY INSTRUCTION

RSF 2-SEATER

NO.	PARTS LIST	QTY	DESCRIPTION	NO.	PARTS LIST	QTY	DESCRIPTION
A		1	Seat Frame	G		8	Allen Bolt ØM8*75
B		1	Left Back Cushion	H		8	Flat Washer M8*Ø19*1.5mm
C		1	Right Back Cushion	I		1	Allen Key M5*100*38mm
D		4	Wooden Leg 145*145*70mm	K		1	Geometric pattern pillow 21"*21"
E		1	Wooden Support Leg 65*60*60mm	L		1	Line pattern pillow 21"*21"
F		1	Washer				

STEP 1:

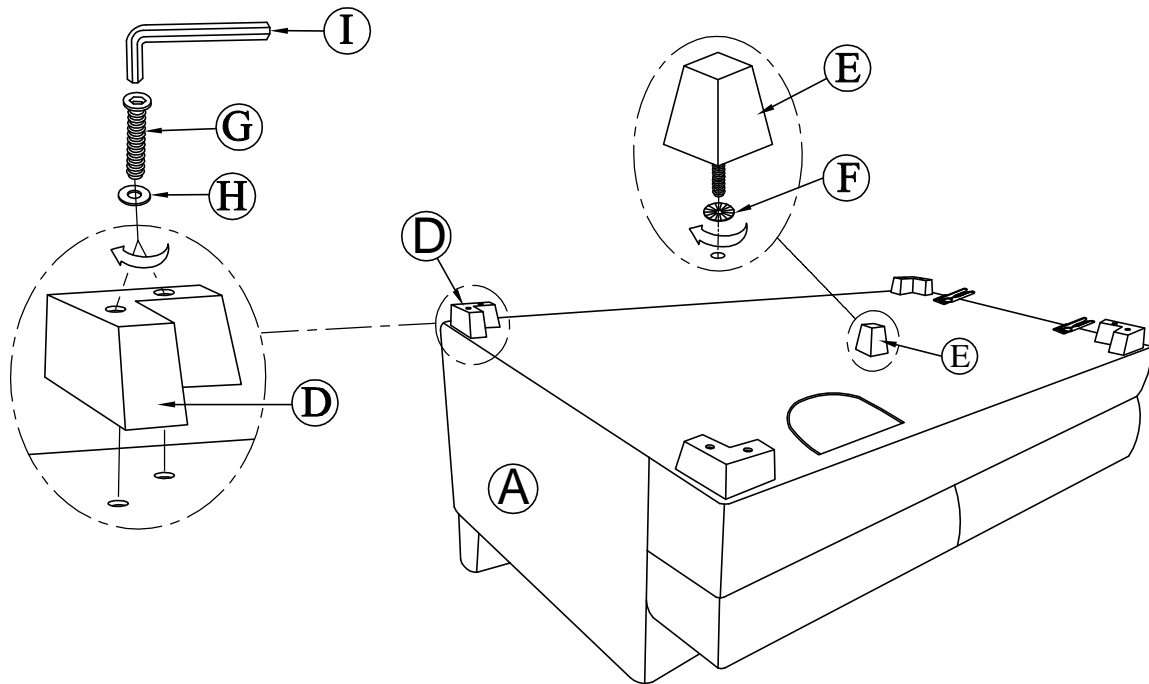
Location of KD parts
Take out legs from the zippered pocket.



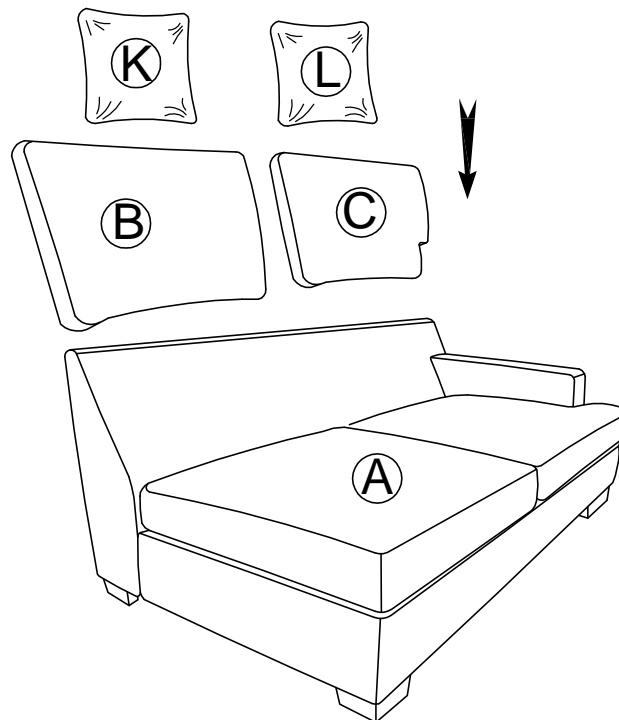
ASSEMBLY INSTRUCTION

RSF 2-SEATER

STEP 2: Use Allen Bolt (G), Flat Washer (H) and Allen Key (I) to fix Wooden Legs (D) on Seat Frame (A). Wooden Support Leg (E) and Washer (F) tightly by hand.



STEP 3: Insert the Left Back Cushions(B), Right Back Cushions(C) and Pillow (K),(L) to Seat Frame(A).



CARE INSTRUCTION FOR FABRIC FURNITURE





In order to maintain the original appearance of your fabric furniture, please follow below simple care procedures.

°Avoid exposing furniture directly to sunlight or heating and air conditioning outlets. Exposure to sunlight or heating and air conditioning outlets will fade/damage fabric.

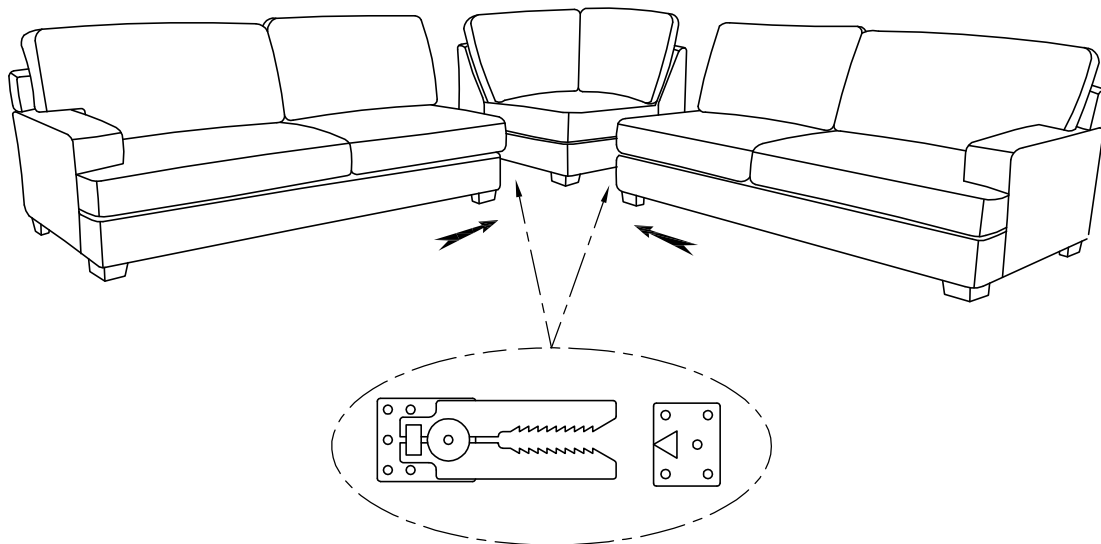
°Wipe gently with a damp soft cloth to remove dust, dirt and any grime build up.

ASSEMBLY INSTRUCTION

RSF 2-SEATER

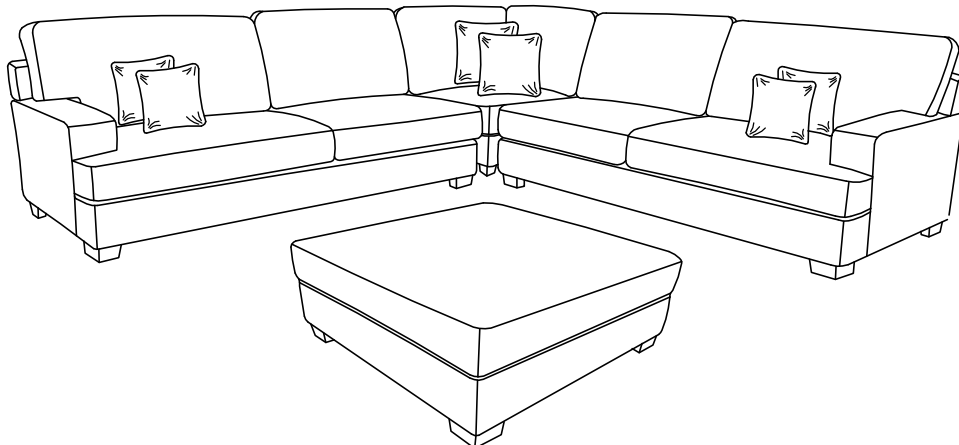
NO.	PARTS LIST	QTY	DESCRIPTION
A		1	CORNER SEAT
B		1	LSF 2-SEATER
C		1	RSF 2-SEATER
D		1	OTTOMAN

STEP 4:



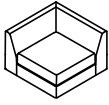

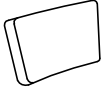



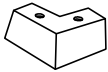


STEP 5:

Completed



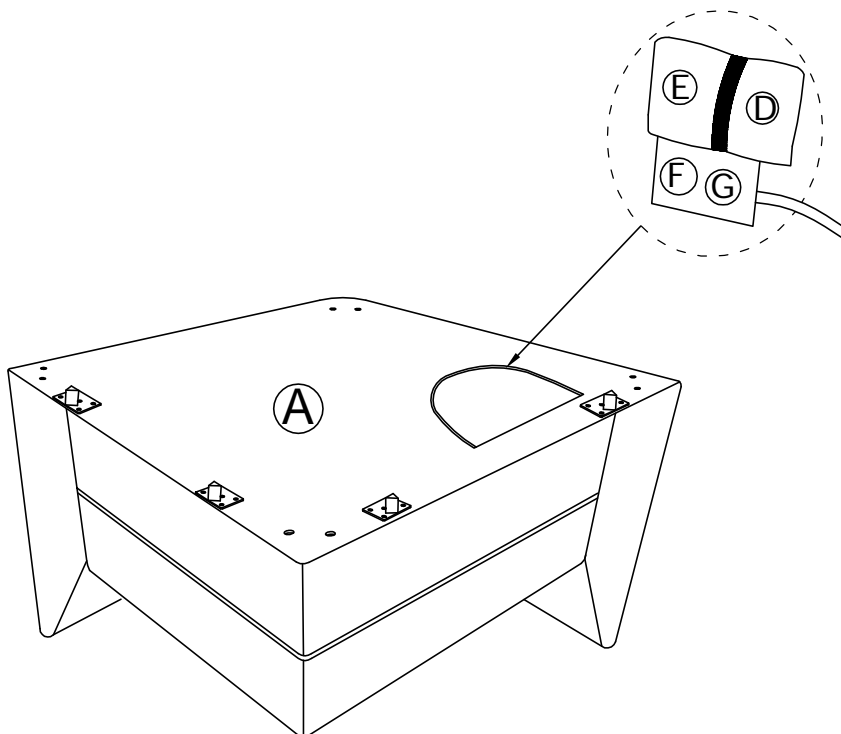
ASSEMBLY INSTRUCTION

CORNER SEAT

NO.	PARTS LIST	QTY	DESCRIPTION	NO.	PARTS LIST	QTY	DESCRIPTION
A		1	Seat Frame	F		8	Flat Washer M8*Ø19*1.5mm
B		1	Left Back Cushion	G		1	Allen Key M5*100*38mm
C		1	Right Back Cushion	H		1	Geometric pattern pillow 21"*21"
D		4	Wooden Leg 145*145*70mm	I		1	Line pattern pillow 21"*21"
E		8	Allen Bolt ØM8*75				

STEP 1:

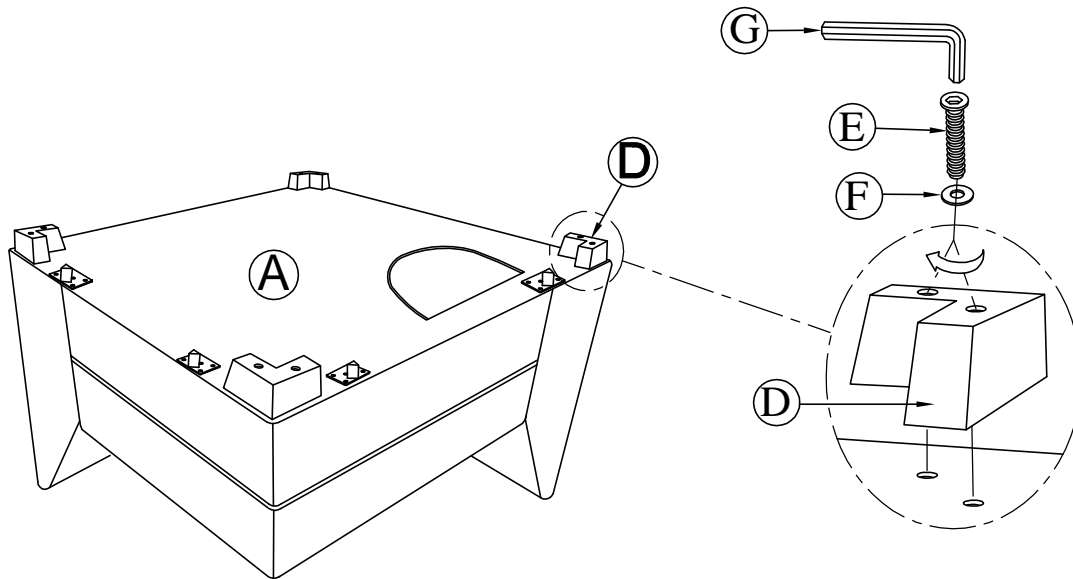
Location of KD parts
Take out legs from the zippered pocket.



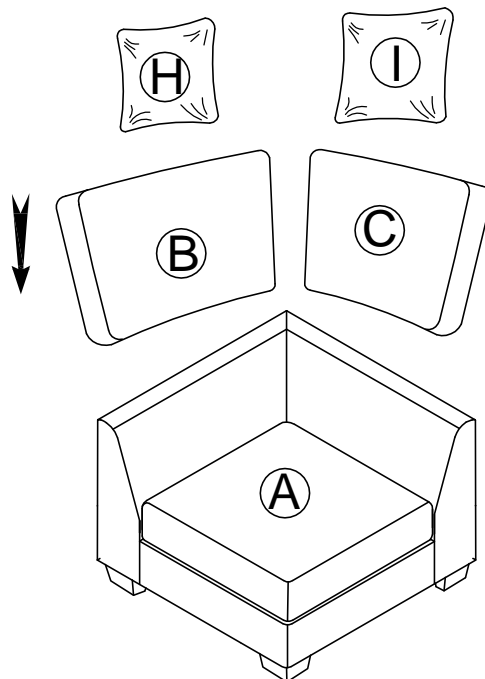
ASSEMBLY INSTRUCTION

CORNER SEAT

STEP 2: Use Allen Bolt (E), Flat Washer (F) and Allen Key (G) to fix Wooden Legs (D) on Seat Frame (A).



STEP 3: Insert the Left Back Cushions(B), Right Back Cushions(C) and Pillow (H),(I) to Seat Frame(A).



CARE INSTRUCTION FOR FABRIC FURNITURE





In order to maintain the original appearance of your fabric furniture, please follow below simple care procedures.

°Avoid exposing furniture directly to sunlight or heating and air conditioning outlets. Exposure to sunlight or heating and air conditioning outlets will fade/damage fabric.

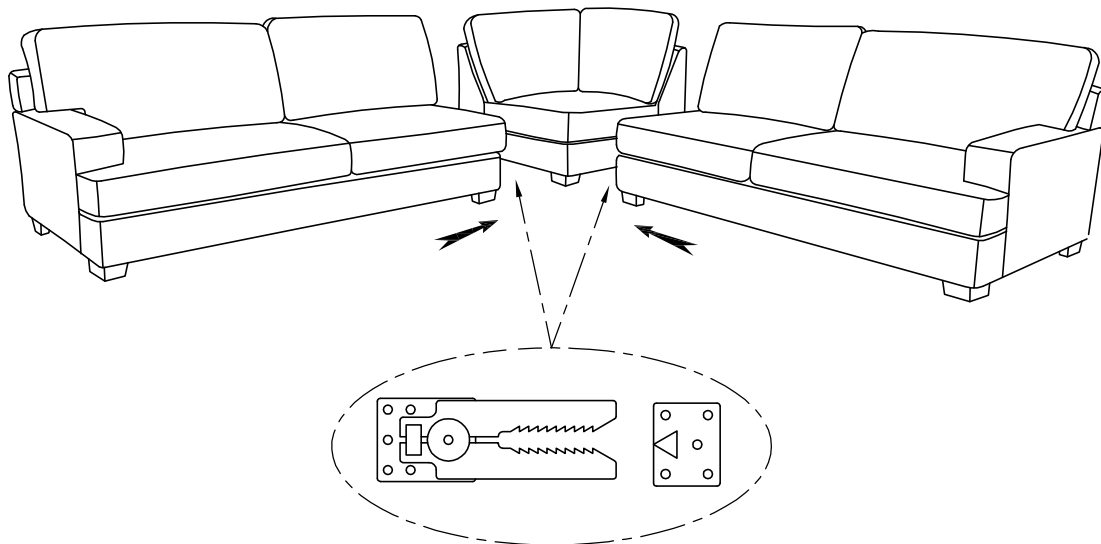
°Wipe gently with a damp soft cloth to remove dust, dirt and any grime build up.

ASSEMBLY INSTRUCTION

CORNER SEAT

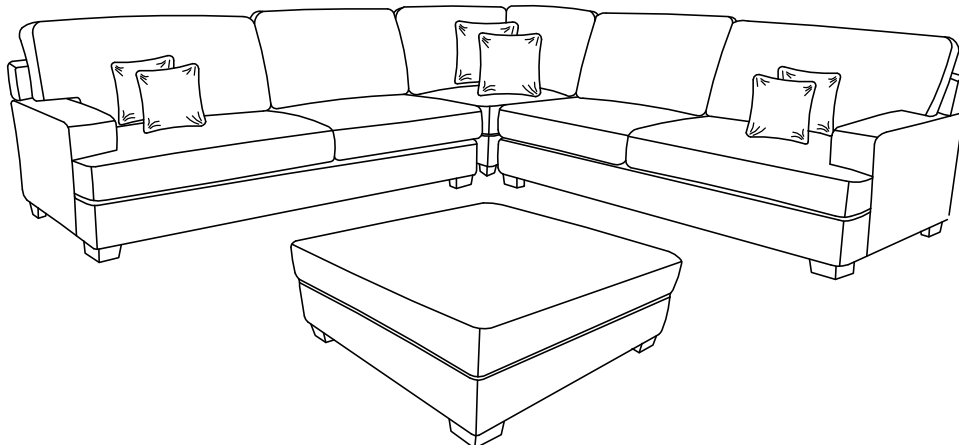
NO.	PARTS LIST	QTY	DESCRIPTION
A		1	CORNER SEAT
B		1	LSF 2-SEATER
C		1	RSF 2-SEATER
D		1	OTTOMAN

STEP 4:







STEP 5:

Completed

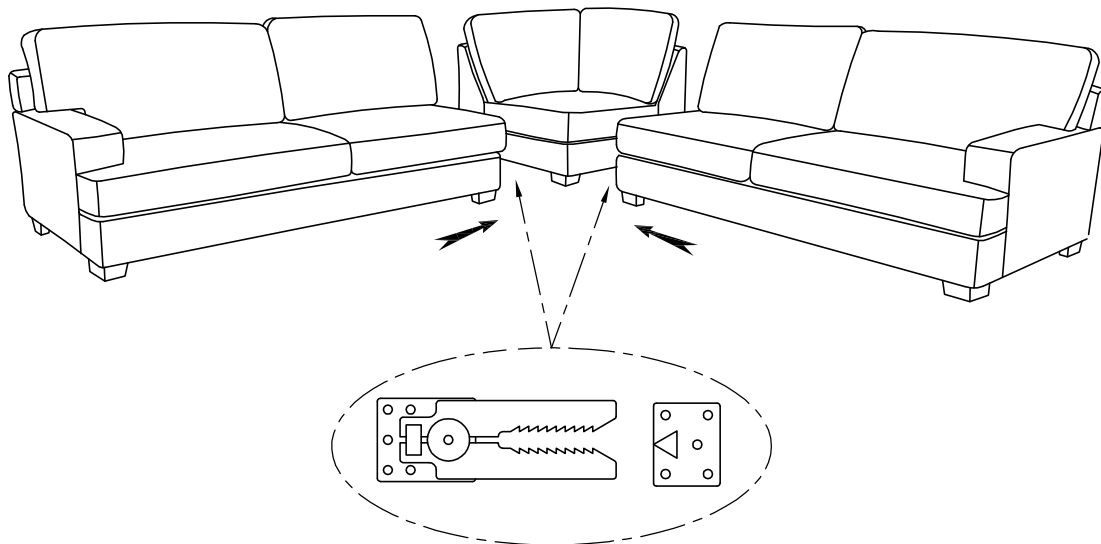


ASSEMBLY INSTRUCTION

CORNER SEAT

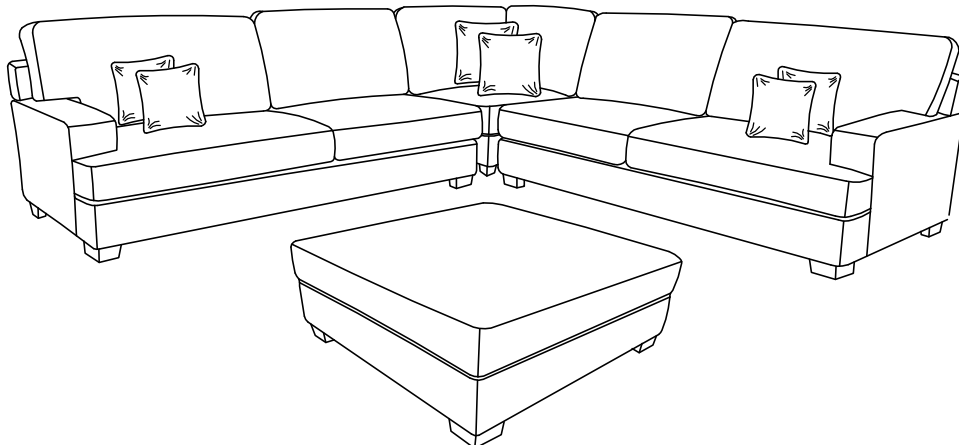
NO.	PARTS LIST	QTY	DESCRIPTION
A		1	CORNER SEAT
B		1	LSF 2-SEATER
C		1	RSF 2-SEATER
D		1	OTTOMAN

STEP 4:




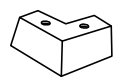



STEP 5:

Completed



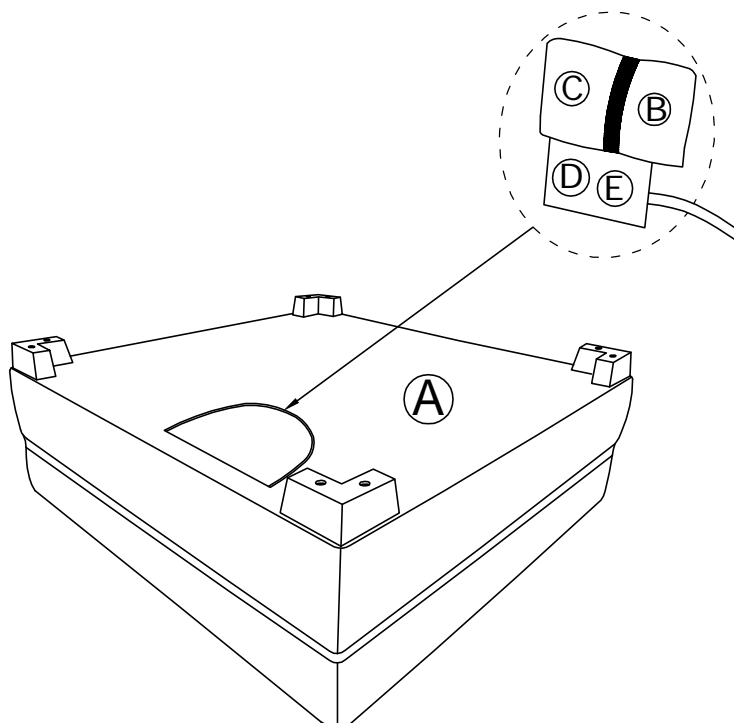
ASSEMBLY INSTRUCTION

OTTOMAN

NO.	PARTS LIST	QTY	DESCRIPTION
A		1	Ottoman
B		4	Wooden Leg 145*145*70mm
C		8	Allen Bolt ØM8*75
D		8	Flat Washer M8*Ø19*1.5mm
E		1	Allen Key M5*100*38mm

STEP 1:

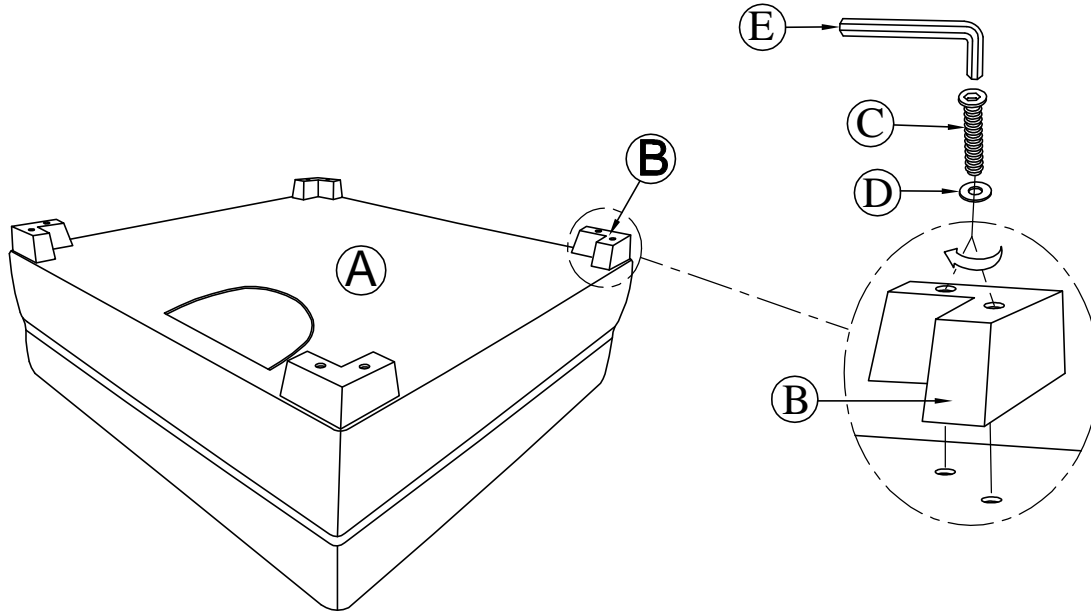
Location of KD parts
Take out legs from the zippered pocket.



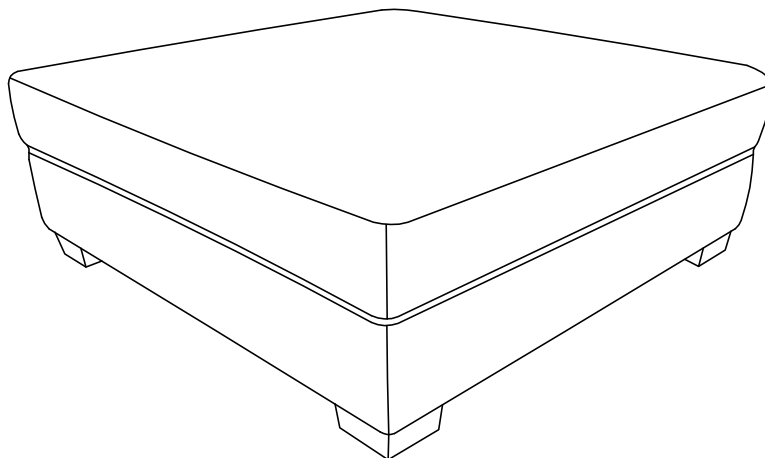
ASSEMBLY INSTRUCTION

OTTOMAN

STEP 2: Use Allen Bolt (C), Flat Washer (D) and Allen Key (E) to fix Wooden Legs (B) on Ottoman (A).



STEP 3:



CARE INSTRUCTION FOR FABRIC FURNITURE

In order to maintain the original appearance of your fabric furniture, please follow below simple care procedures.

°Avoid exposing furniture directly to sunlight or heating and air conditioning outlets. Exposure to sunlight or heating and air conditioning outlets will fade/damage fabric.

°Wipe gently with a damp soft cloth to remove dust, dirt and any grime build up.