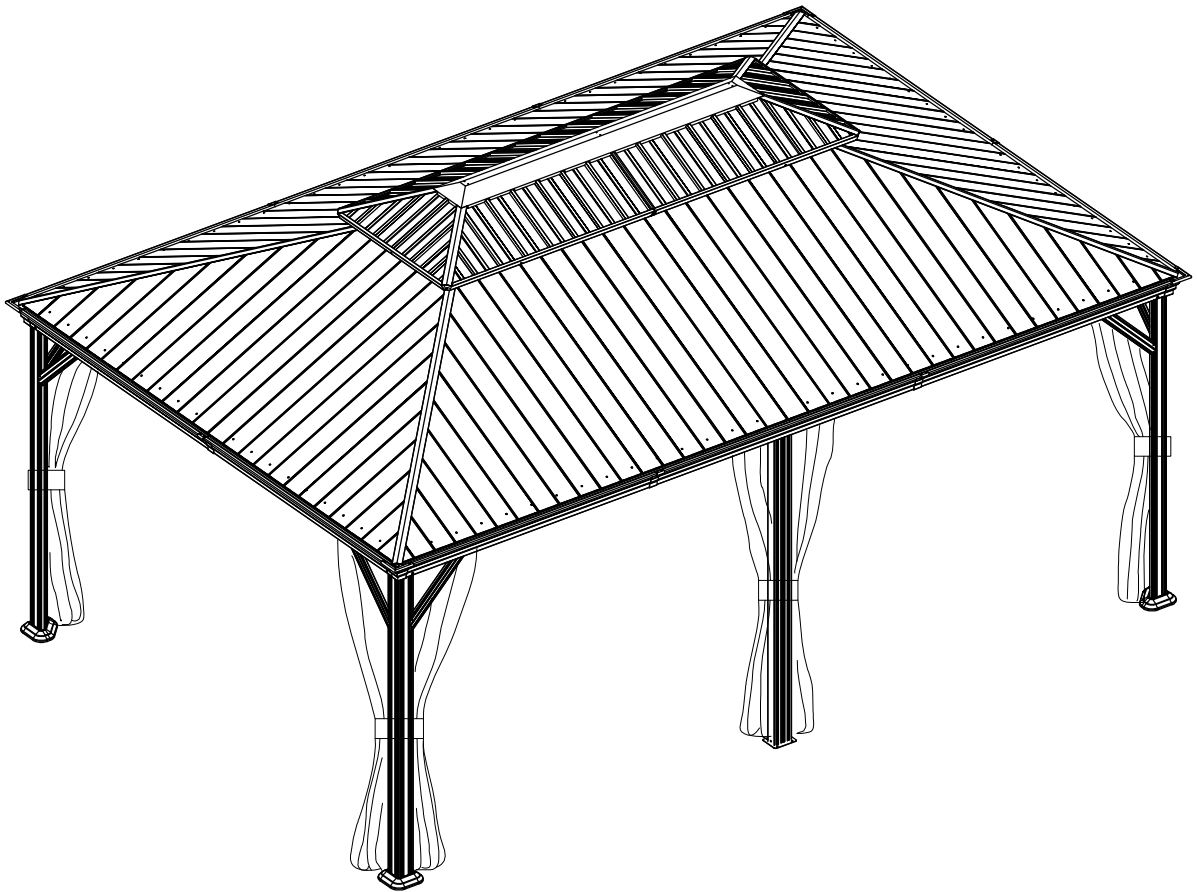




12'x18' Metal Patio Gazebo with Resin Roof **ASSEMBLY MANUAL**



MODEL#:LGMZ1720

Missing part? Damaged? Contact us via email at

service@domioutdoorliving.com

www.domioutdoorliving.com

Pre-assembly



1. Two or more people are required for assembly.



2. You will need one or more stepladders.



3. Wearing protective gloves is recommended.



4. You may need a safety hat.



5. Please use a Phillips screw driver.



6. For ease of construction, you may need a drill.



7. You may need a safety goggle.



8. Do not fully tighten screws prior to complete assembly.

Warning & Attention

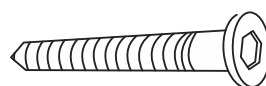
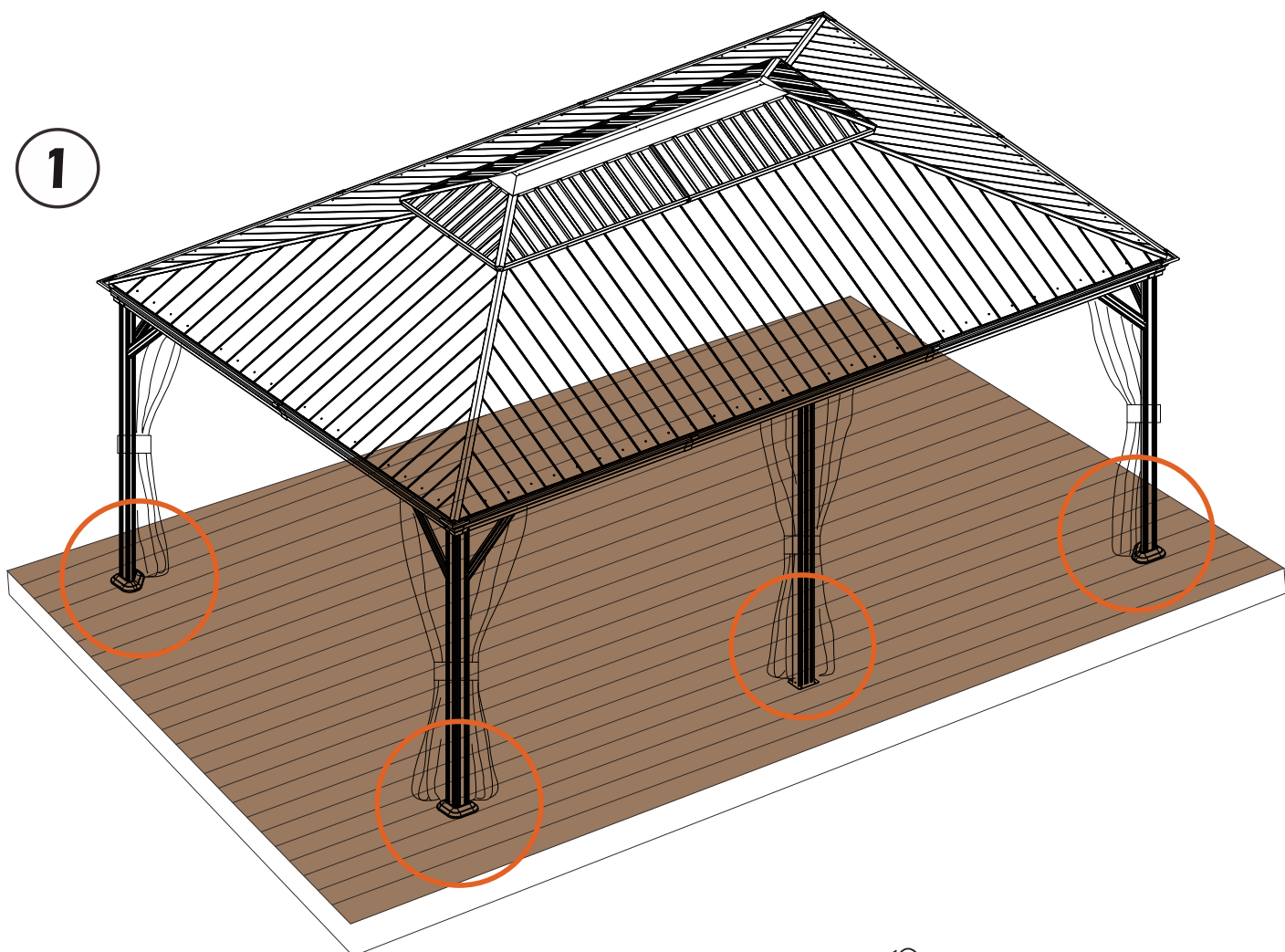
-Try to assemble this product on the flat ground, otherwise it is difficult to carry out;

-It would be much easier to assemble the product with three or more people;

-After assembly, please check whether all screws are tightened, to prevent parts from falling apart.

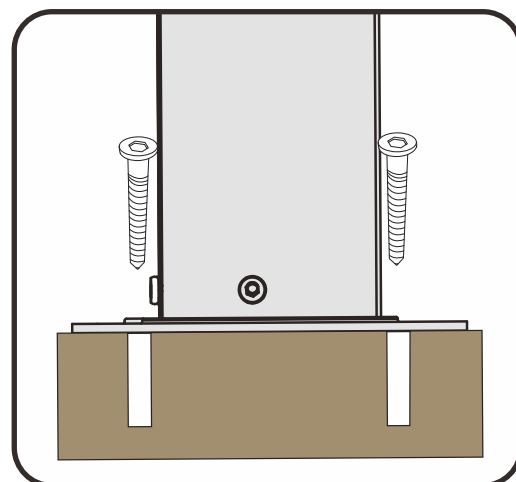
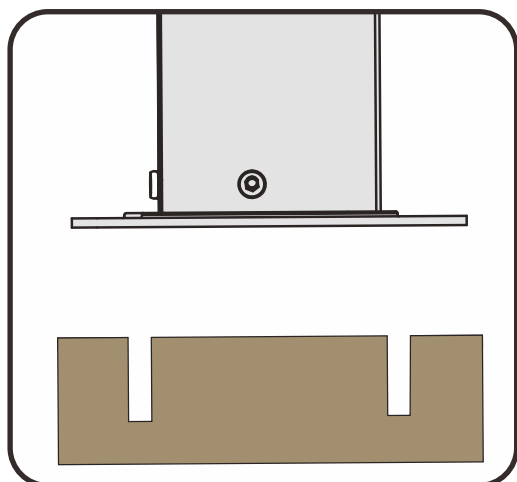
▲ Use bolts to secure the frame to the ground to against the strong wind.

IMPORTANT: A gaze may entail to purchase a municipal permit or be subject to specific building codes. It is the consumer's responsibility to inform themselves of any restrictions.

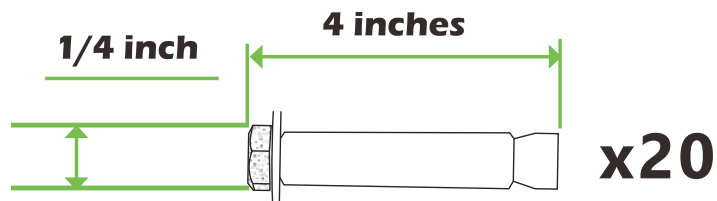
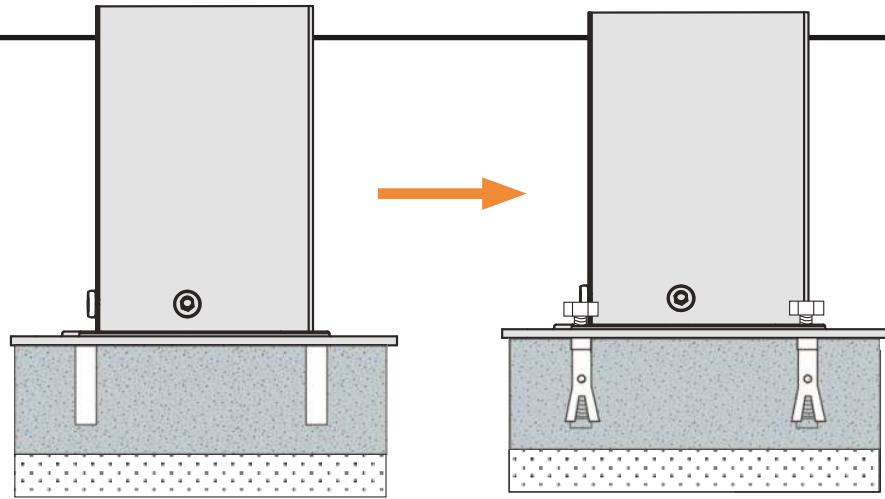


x20

If the deck is hard wood and the depth of it is over 3 inch, you can use **5/16 in. x4 in. Structural Wood Screw** to mount the gazebo.

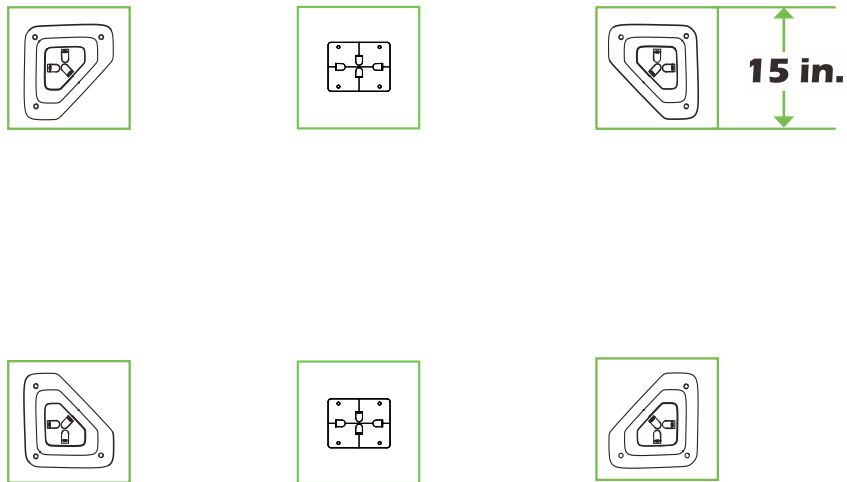


2



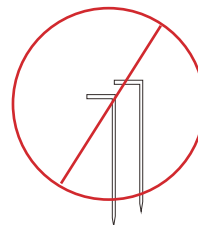
If the ground is concreted and the depth of it is over 3 inch, you can use 1/4 inch expansion bolts to mount the gazebo

3



Or you can make a concrete footing for gazebo, **15×15×15 inches** is recommended. use expansion bolts to mount the pergola like ② shows.

IMPORTANT:
Anchor is not recommended



131.22" (3333mm)

201.97" (5130mm)

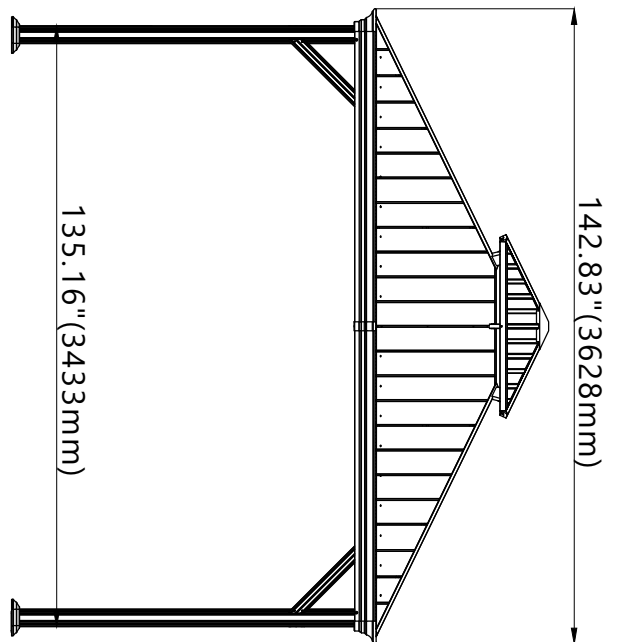
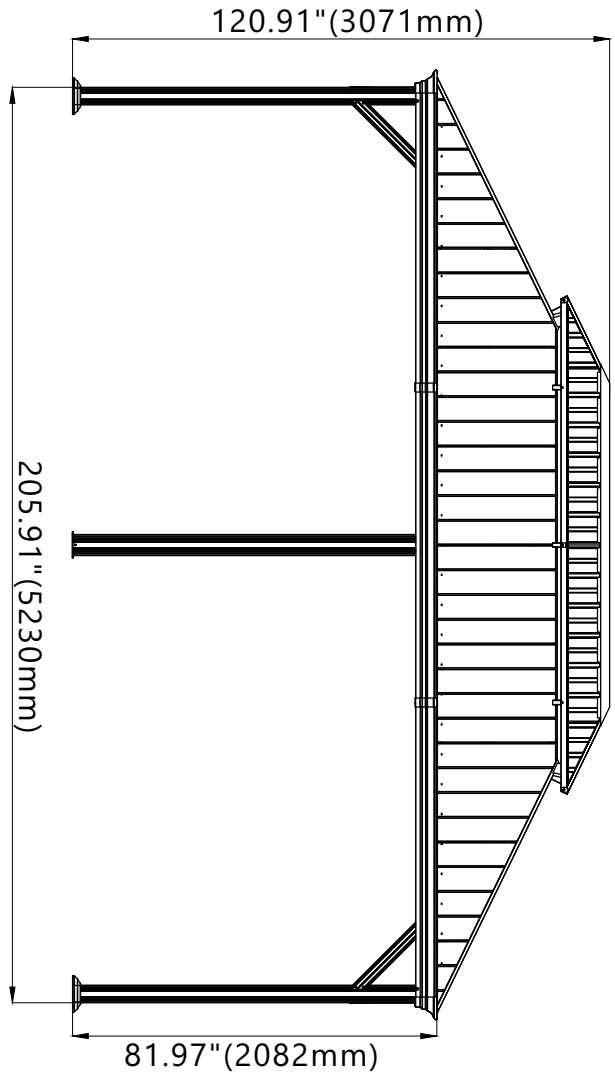
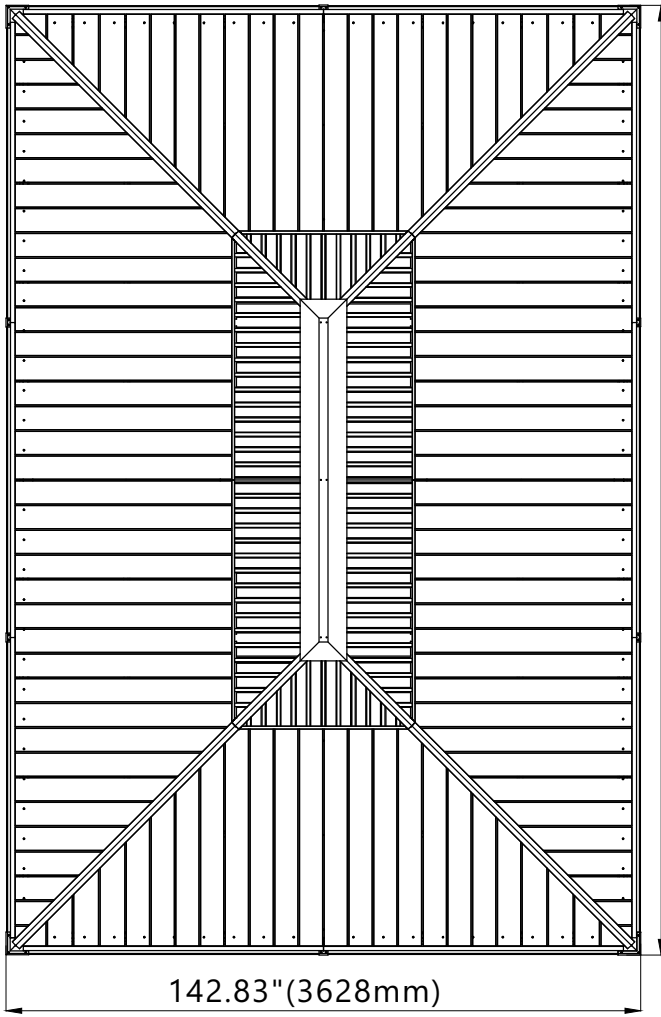
3.46"
(88mm)


4.92"
(125mm)

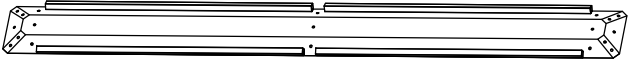



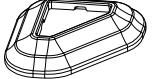

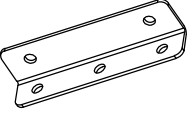

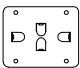
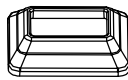







4.92"
(125mm)



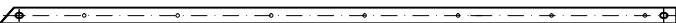

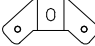
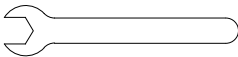
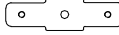
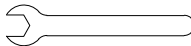


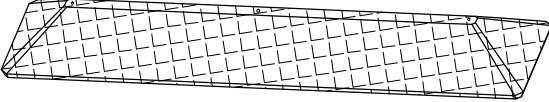




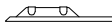
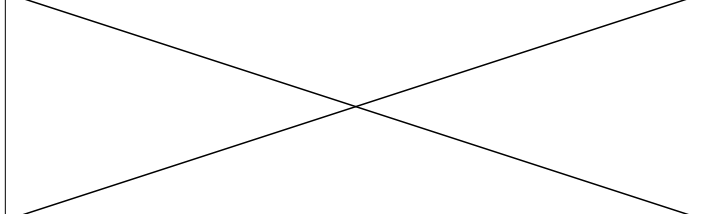
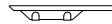
3.46" (88mm)

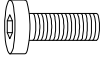
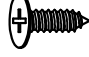
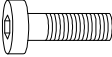


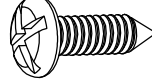

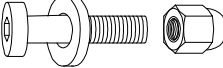
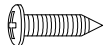
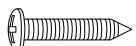
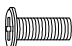
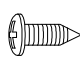


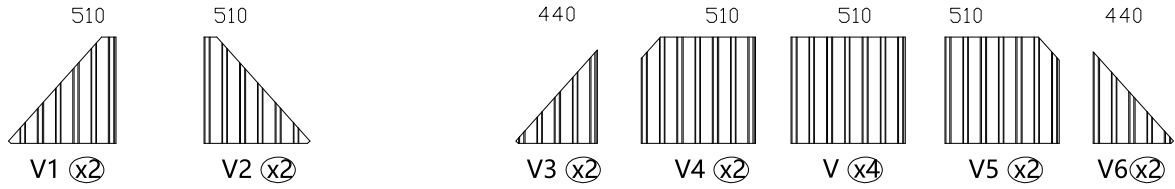


 <p>Pole 2080MM A (x4)</p>	 <p>Track 814MM D2 (x2)</p>
 <p>Pole 2080MM B (x2)</p>	 <p>Track 814MM D3 (x2)</p>
 <p>Beam 1715MM C (x2)</p>	 <p>Outside Roof Cover E0 (x1)</p>
 <p>Beam 1715MM C1 (x2)</p>	 <p>Union Bar 600MM E (x6)</p>
 <p>Beam 1800MM C2 (x2)</p>	 <p>Corner Cover F (x4)</p>
 <p>Beam 1715MM C3 (x2)</p>	 <p>Joint Cover G (x6)</p>
 <p>Beam 1715MM C4 (x2)</p>	 <p>Silicone Sealant H (x1)</p>
 <p>Track 1583MM D (x4)</p>	 <p>Corner Solidifying Bar 578MM I1 (x4)</p>
 <p>Track 1583MM D1 (x4)</p>	 <p>Corner Solidifying Bar 578MM I2 (x4)</p>

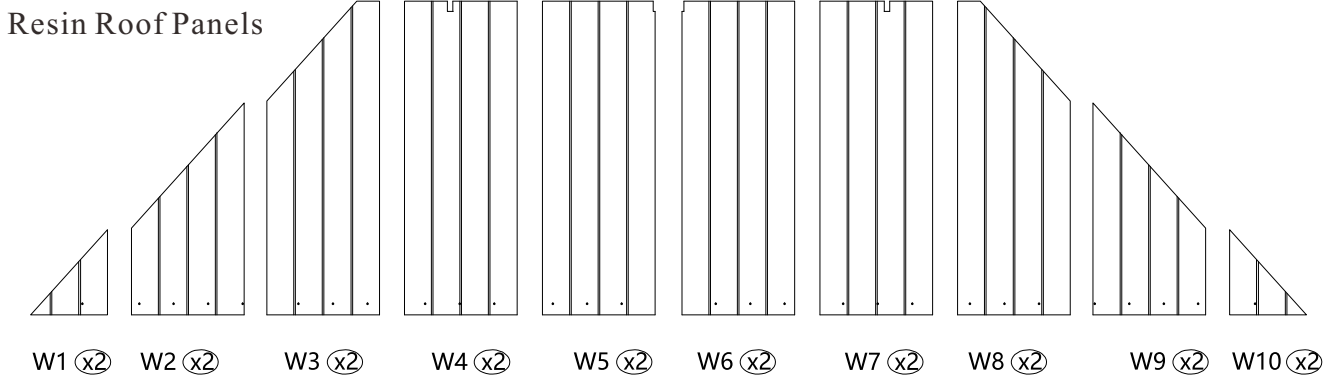
 <p>1989MM</p> <p>Inside Roof Cover J (x1)</p>	 <p>Roof Tube 1905MM N2 (x2)</p>
 <p>Base K (x4)</p>	 <p>Finishing Bar 740MM P (x2)</p>
 <p>Base Cover K1 (x4)</p>	 <p>Finishing Bar 1285MM L1 (x2)</p>
 <p>Bracket K2 (x8)</p>	 <p>Finishing Bar 1285MM L2 (x2)</p>
 <p>Base K3 (x2)</p>	 <p>Base Cover K4 (x2)</p>
 <p>690MM</p> <p>Corner Roof Tube Connector M (x4)</p>	 <p>Finishing End Q (x8)</p>
 <p>2130MM</p> <p>Corner Roof Tube M1 (x4)</p>	 <p>1021MM</p> <p>Finishing Bar T (x2)</p>
 <p>Roof Tube 1927MM N (x2)</p>	 <p>1424MM</p> <p>Finishing Bar T1 (x2)</p>
 <p>Roof Tube 1927MM N1 (x4)</p>	

 <p>1424MM</p> <p>Finishing Bar T2 (x2)</p>	 <p>J-Hook R1 (x3)</p>
 <p>1085MM</p> <p>Solidifying Bar U1 (x8)</p>	 <p>Allen Key x1</p>
 <p>Bracket U3 (x4)</p>	 <p>Wrench x1</p>
 <p>Bracket U4 (x6)</p>	 <p>Wrench x1</p>
 <p>1758MM</p> <p>Solidifying Bar U5 (x2)</p>	 <p>Plastic Clips Z (x12)</p>
 <p>Small Mesh O (x1)</p>	 <p>Plastic Clips Z1 (x4)</p>
 <p>1240MM</p> <p>Plastic Bar O1 (x4)</p>	 <p>Plastic Clips Z2 (x4)</p>
 <p>620MM</p> <p>Plastic Bar O2 (x2)</p>	 <p>Plastic Clips Z3 (x2)</p>
	 <p>Plastic Clips Z4 (x2)</p>

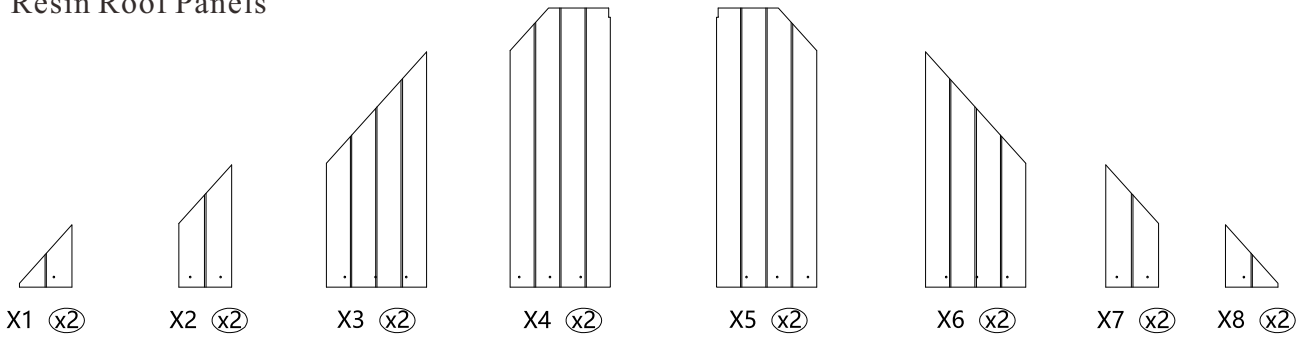
 <p>M6x16</p> <p>1# x240</p>	 <p>4x12</p> <p>10# x16</p>
 <p>M6x20</p> <p>2# x36</p>	 <p>M6x12</p> <p>11# x16</p>
 <p>3# x14</p>	 <p>ST6.3*18</p> <p>12# x20</p>
 <p>Plastic Hooks</p> <p>4# x144</p>	
 <p>M6x28</p> <p>5# x92</p>	
 <p>ST4.8x30</p> <p>6# x48</p>	
 <p>ST4.8x35</p> <p>7# x72</p>	
 <p>M5x16</p> <p>8# x6</p>	
 <p>ST4.8x13</p> <p>9# x28</p>	



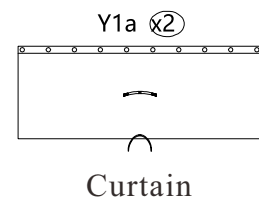
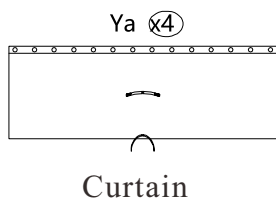
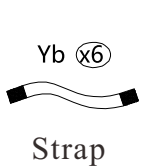
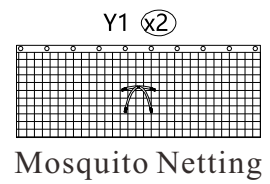
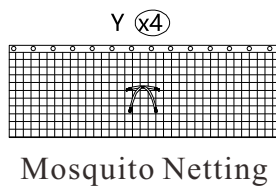
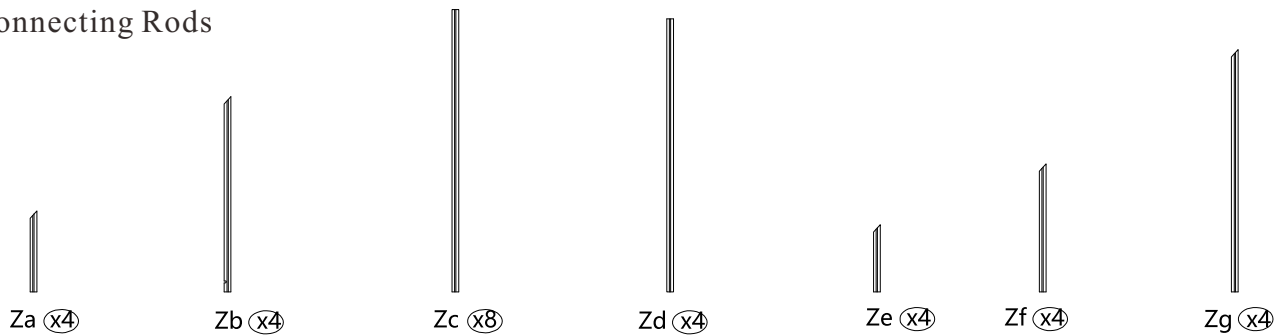
Metal Roof Panels



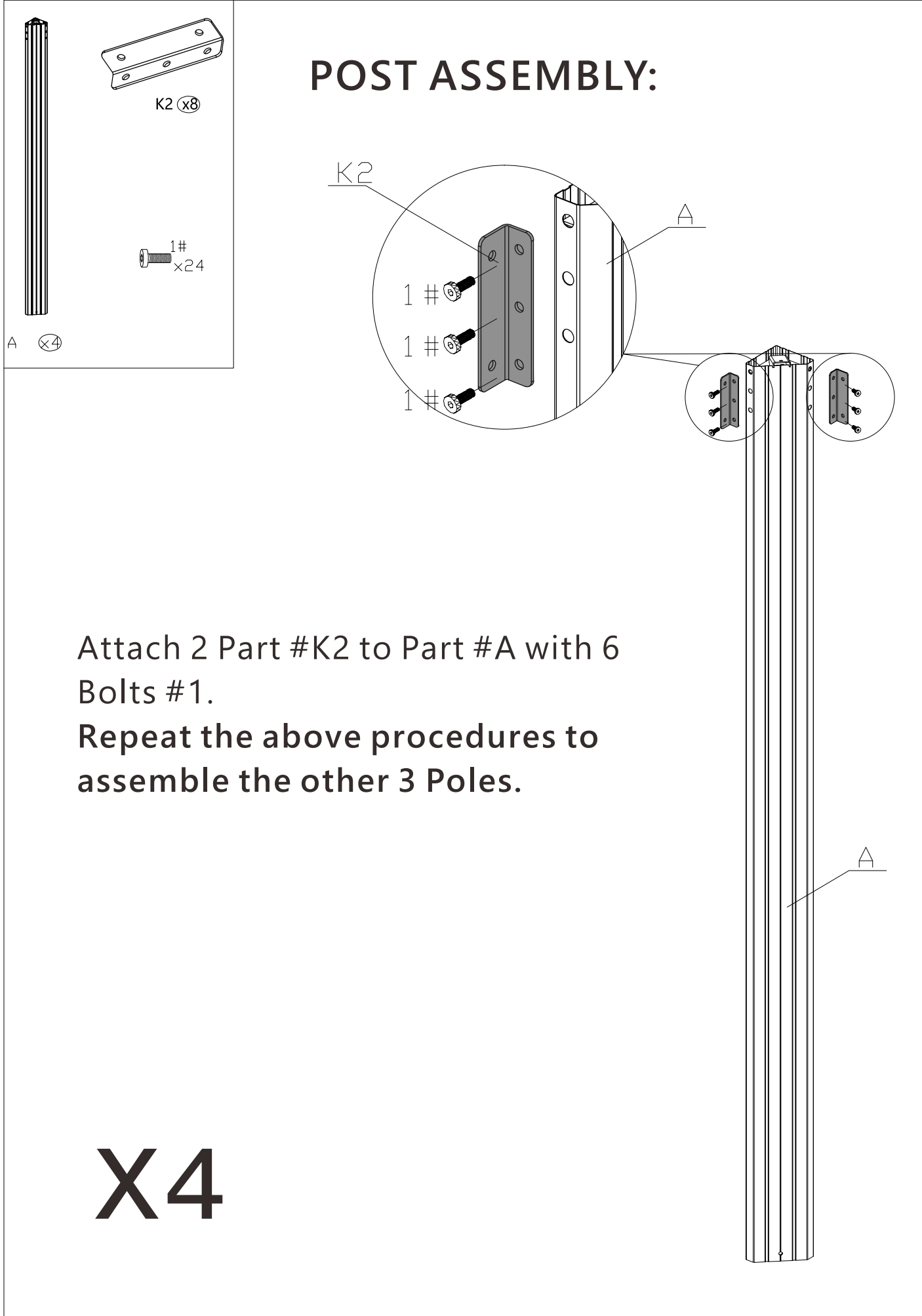
Resin Roof Panels



Connecting Rods



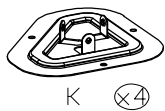
POST ASSEMBLY:



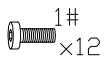
Attach 2 Part #K2 to Part #A with 6 Bolts #1.

Repeat the above procedures to assemble the other 3 Poles.

X4



K (x4)



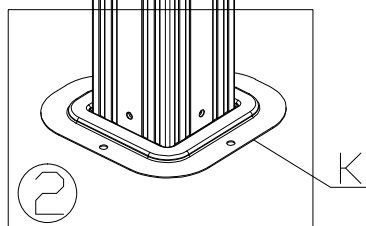
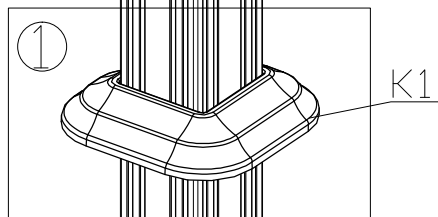
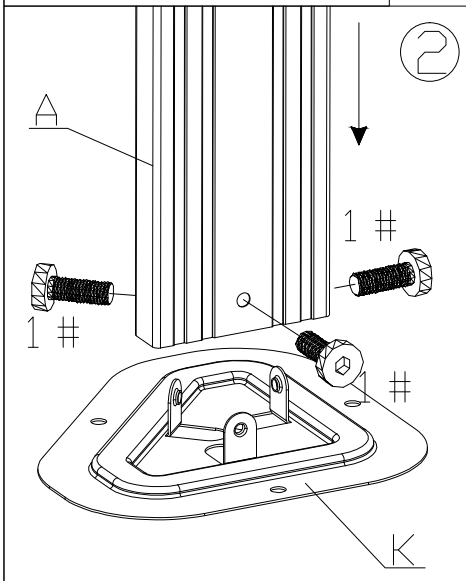
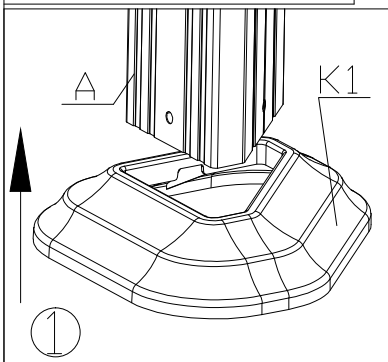
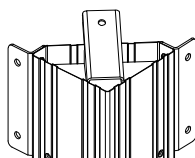
1# (x12)



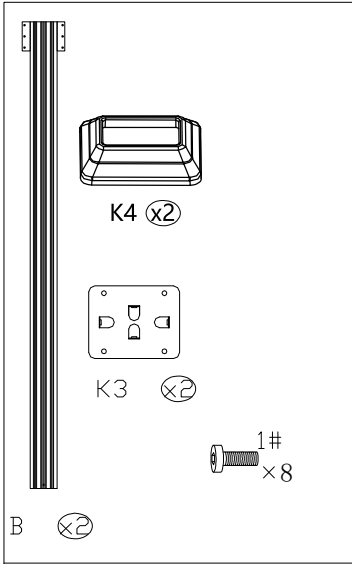
K1 (x4)

(1) Put on Base Cover #K1 first ;

(2) Attach Base #K to Pole #A with 3 Bolts #1.

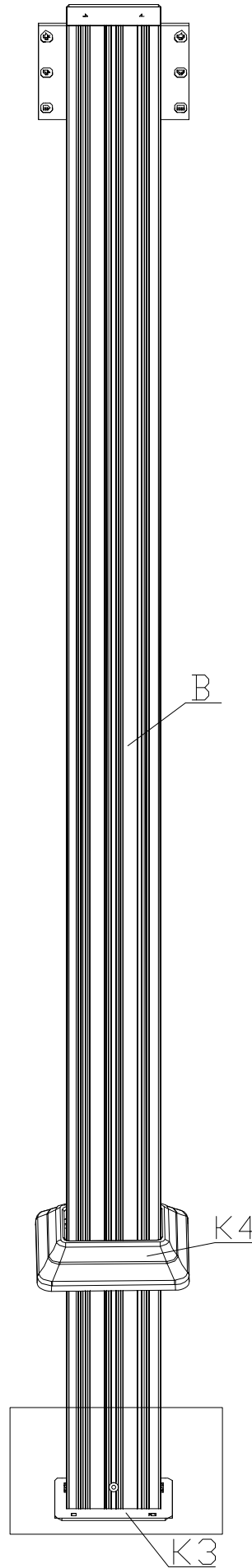
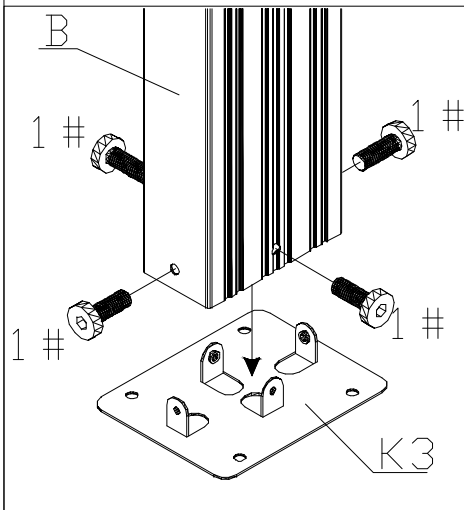


X4

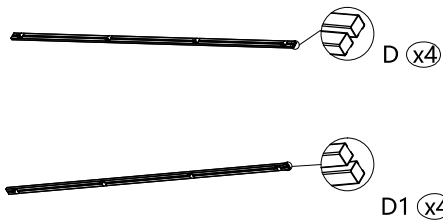


(1) Put on Base Cover #K4 first;

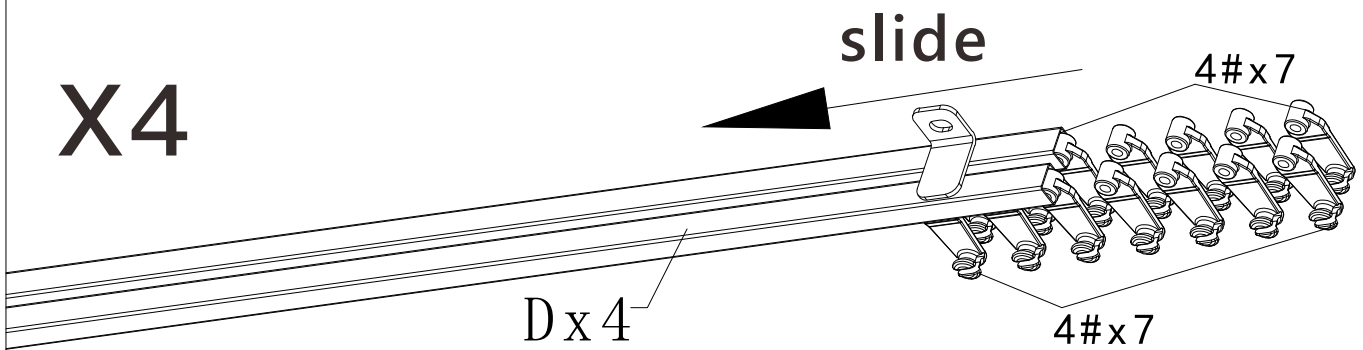
(2) Attach Base #K3 to Pole #B with 4 Bolts #1.



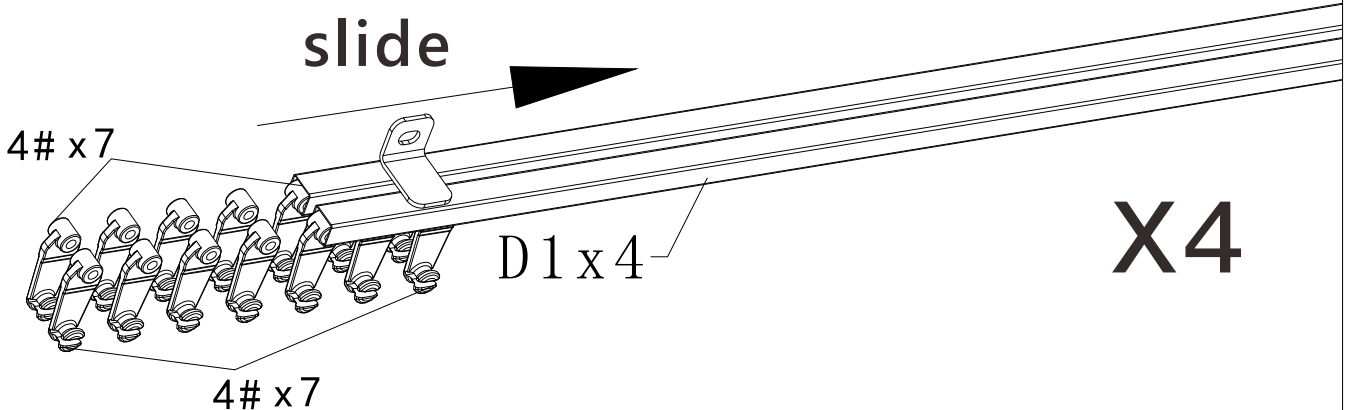
x2

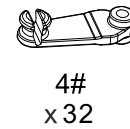
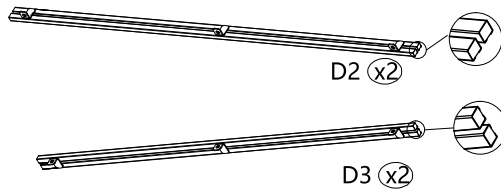


- (1) Slide the Plastic Hooks #4 to the double-rail track #D (each slot should slide 7 plastic hooks).
- (2) Repeat the above procedures for other 3 tracks D.

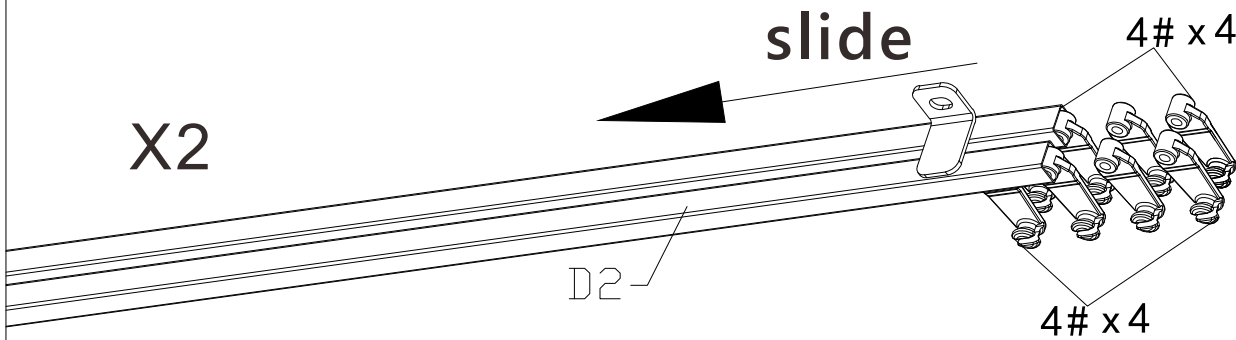


- (1) Slide the Plastic Hooks #4 to the double-rail track #D1 (each slot should slide 7 plastic hooks).
- (2) Repeat the above procedures for other 3 tracks D1.

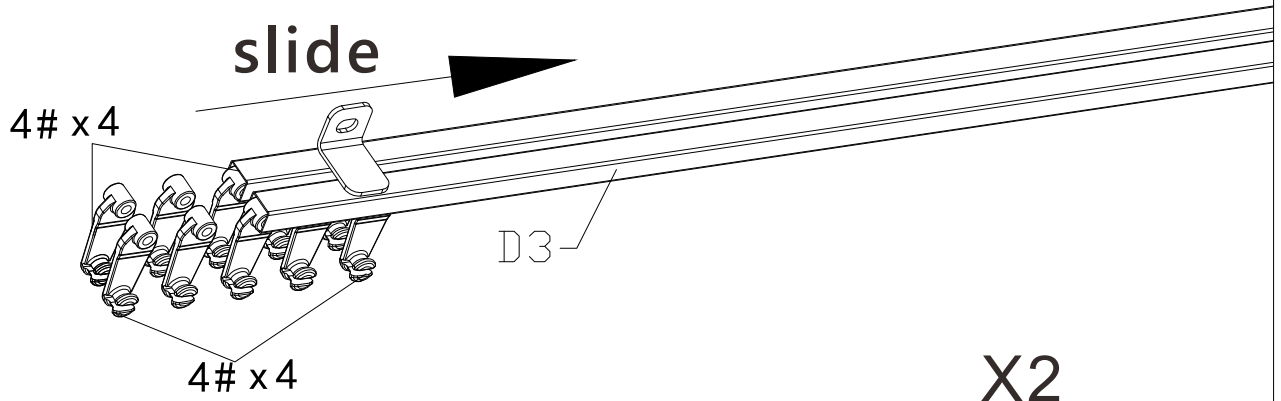




- (1) Slide the Plastic Hooks #4 to the double-rail track #D2 (each slot should slide 4 plastic hooks).
- (2) Repeat the above procedures for the other track D2.



- (1) Slide the Plastic Hooks #4 to the double-rail track #D3 (each slot should slide 4 plastic hooks).
- (2) Repeat the above procedures for the other track D3.

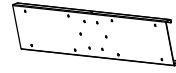




C (x2)



C4 (x2)

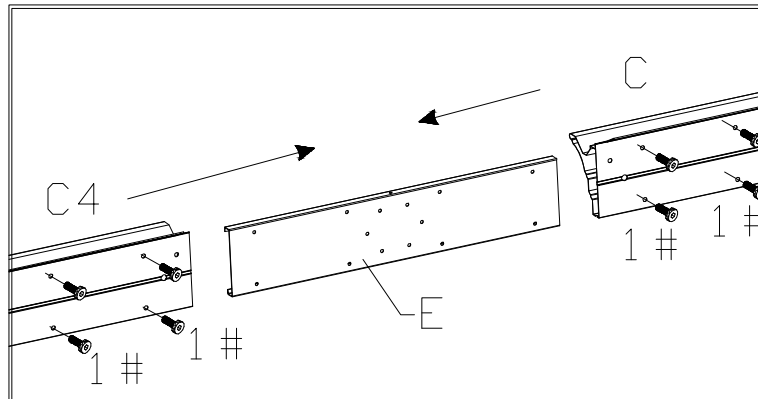


E (x2)



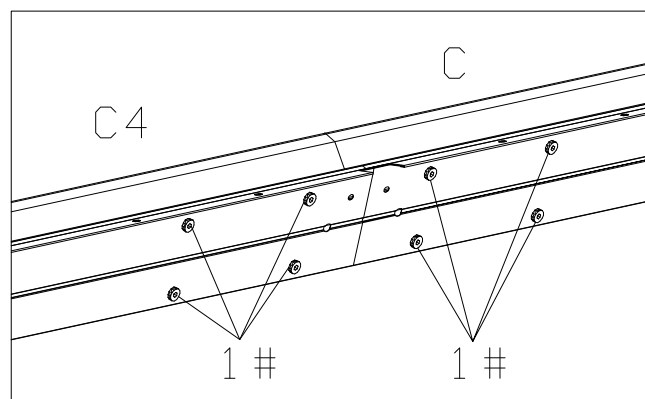
1#
x16

BEAM ASSEMBLY:

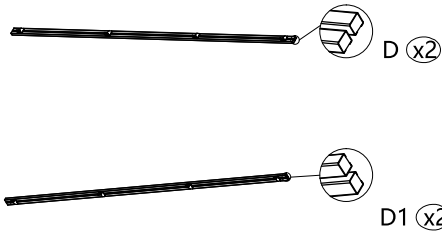


- (1) Insert Part #E into Part #C4, and secure with 4 Bolts #1.
- (2) Insert the other side of Part #E into Part #C and secure with 4 Bolts #1.

Repeat the above procedures to assemble the other Part#C4 and #C.

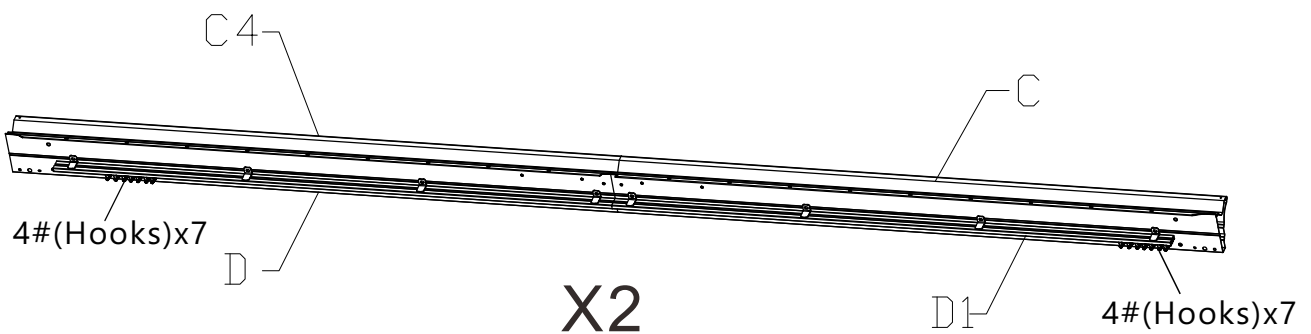
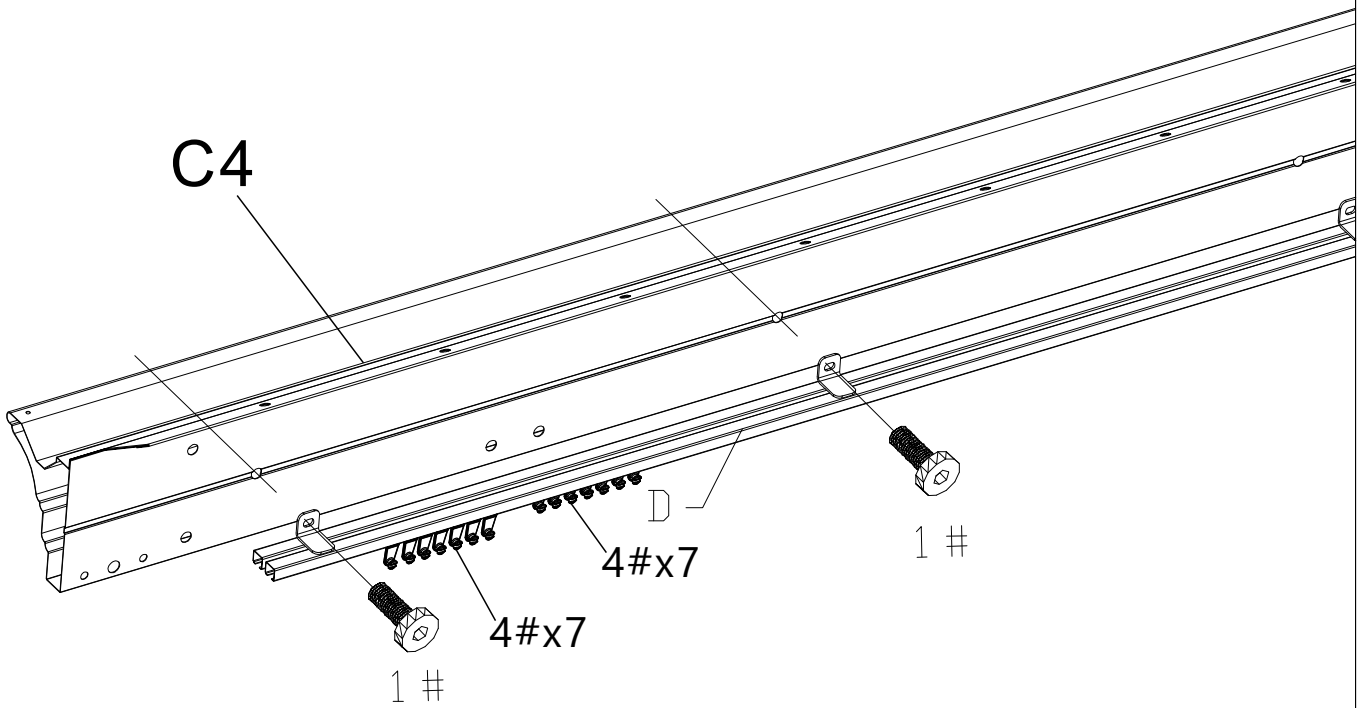


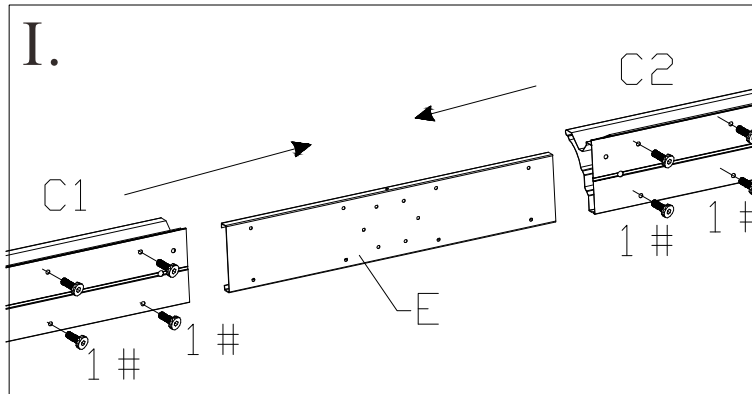
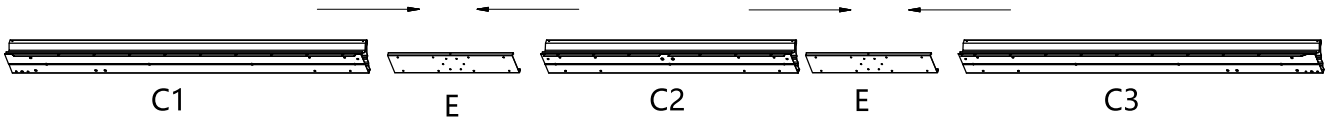
TIPS: It's a normal situation that there's a gap between the 2 beams, please use silicone sealant (part #H) and Joint Cover #G to affix the gap. (See P9)



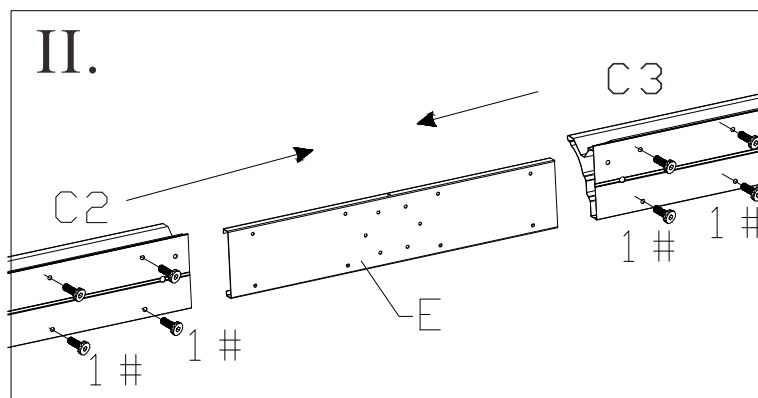
Use 8 Bolts #1 to fix the track D & D1 to the beam C4 & C.

Repeat the above procedures for another beam C4 & C.

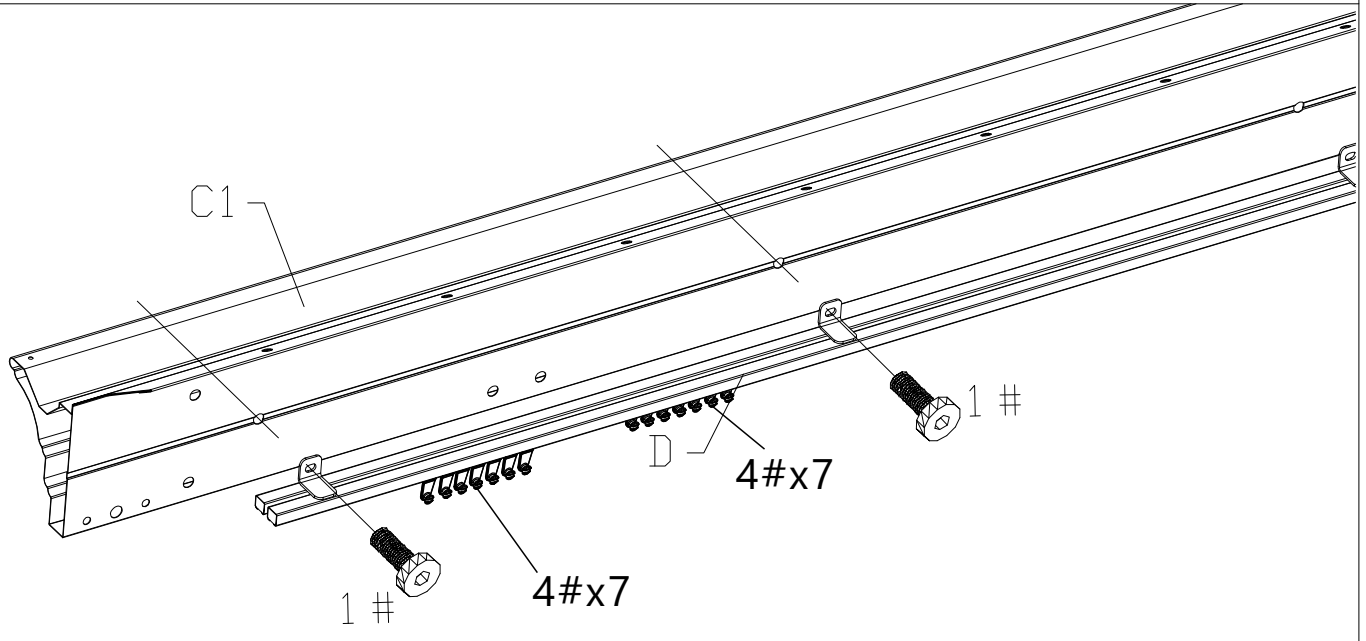
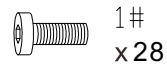
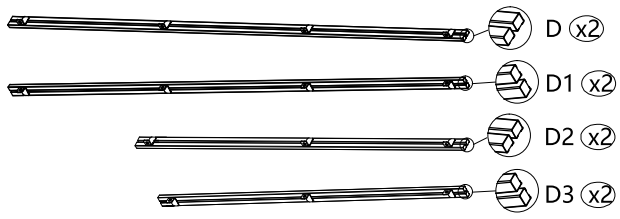




- (1) Insert Part #E into Part #C1, and secure with 4 Bolts #1.
- (2) Insert the other side of Part #E into Part #C2 and secure with 4 Bolts #1.

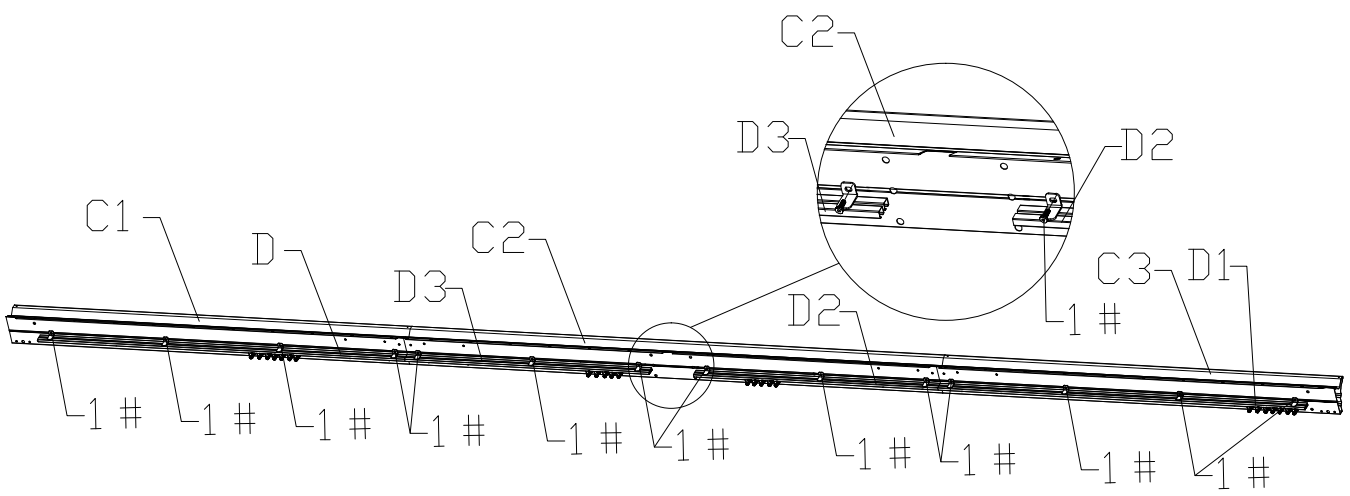


- (3) Insert Part #E into Part #C2, and secure with 4 Bolts #1.
 - (4) Insert the other side of Part #E into Part #C3 and secure with 4 Bolts #1.
- Repeat the above procedures to assemble the other Part#C1, C2 & C3.



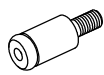
(1) Use 14 Bolts #1 to fix the track D, D1, D2 & D3 to the beam C1, C2 & C3.

Repeat the above procedures to assemble the other Part# C1, C2 & C3.



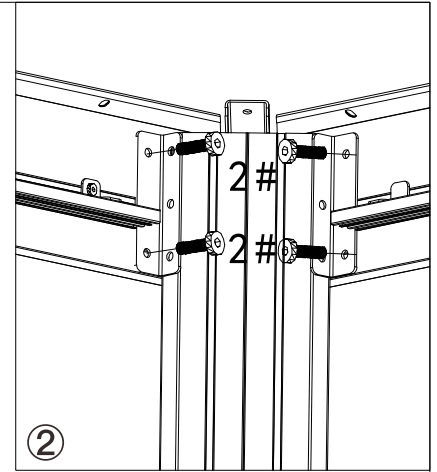


2#
x28

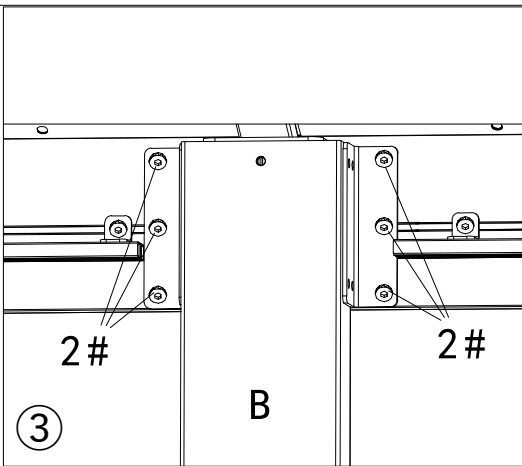


3#
x16

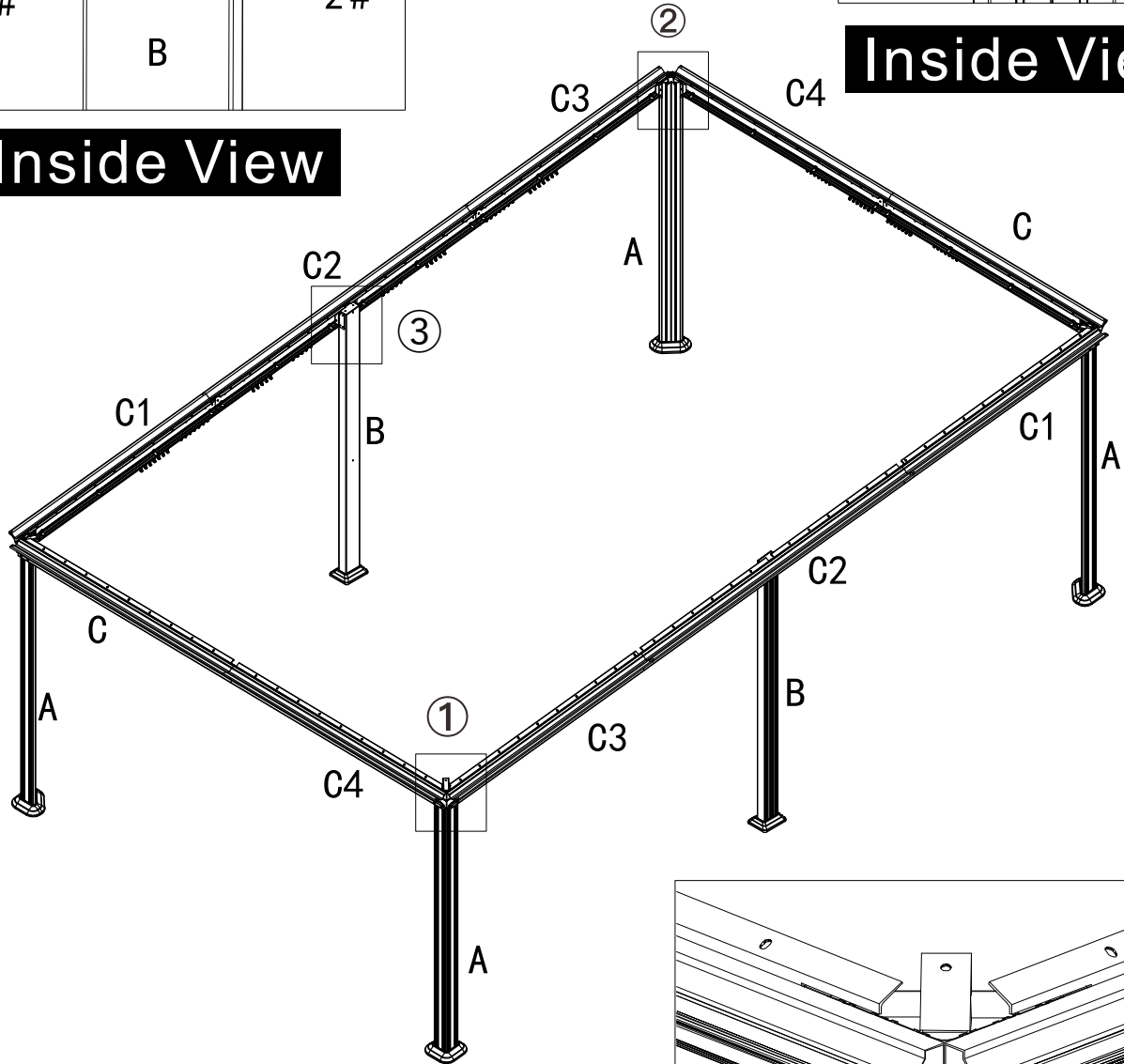
FRAME ASSEMBLY:



Inside View

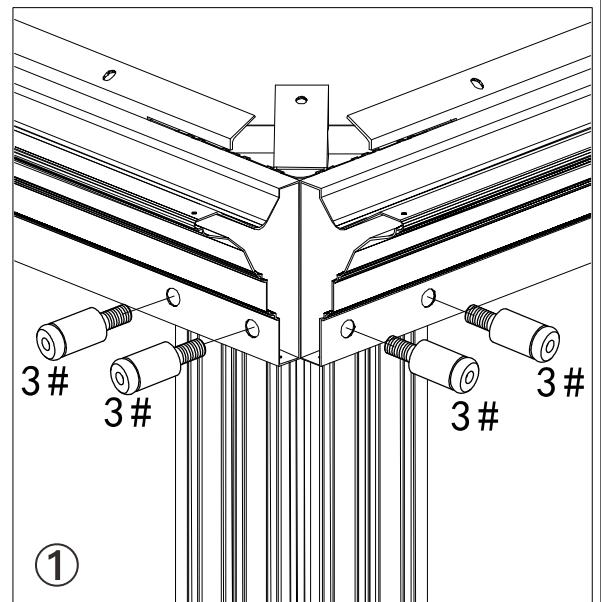


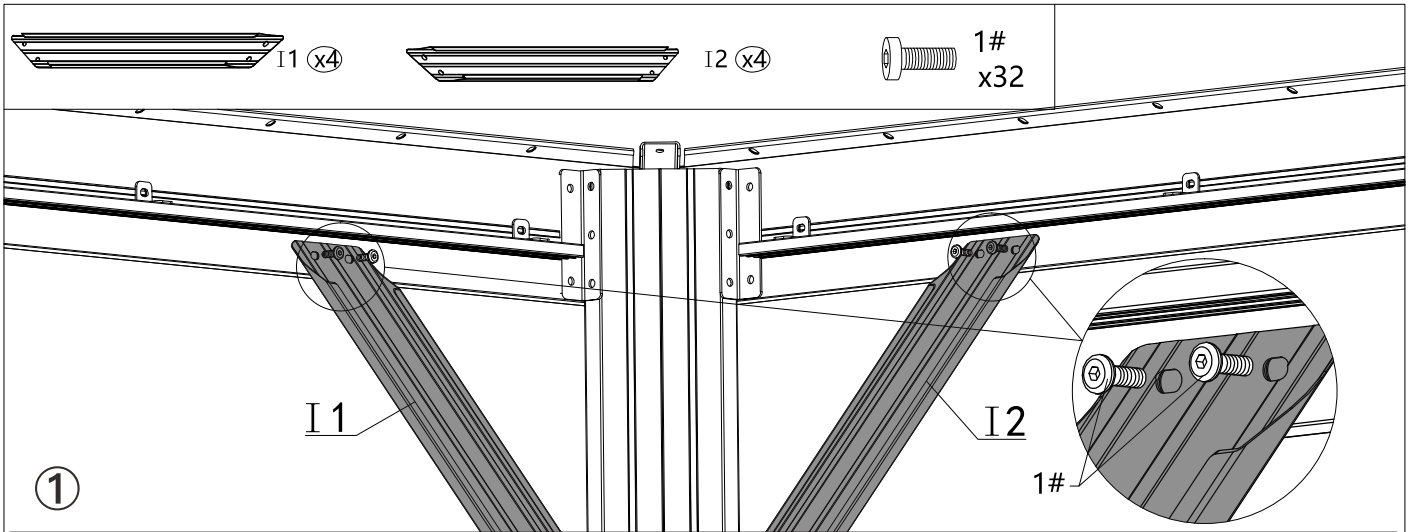
Inside View



Please don't tighten
all bolts.

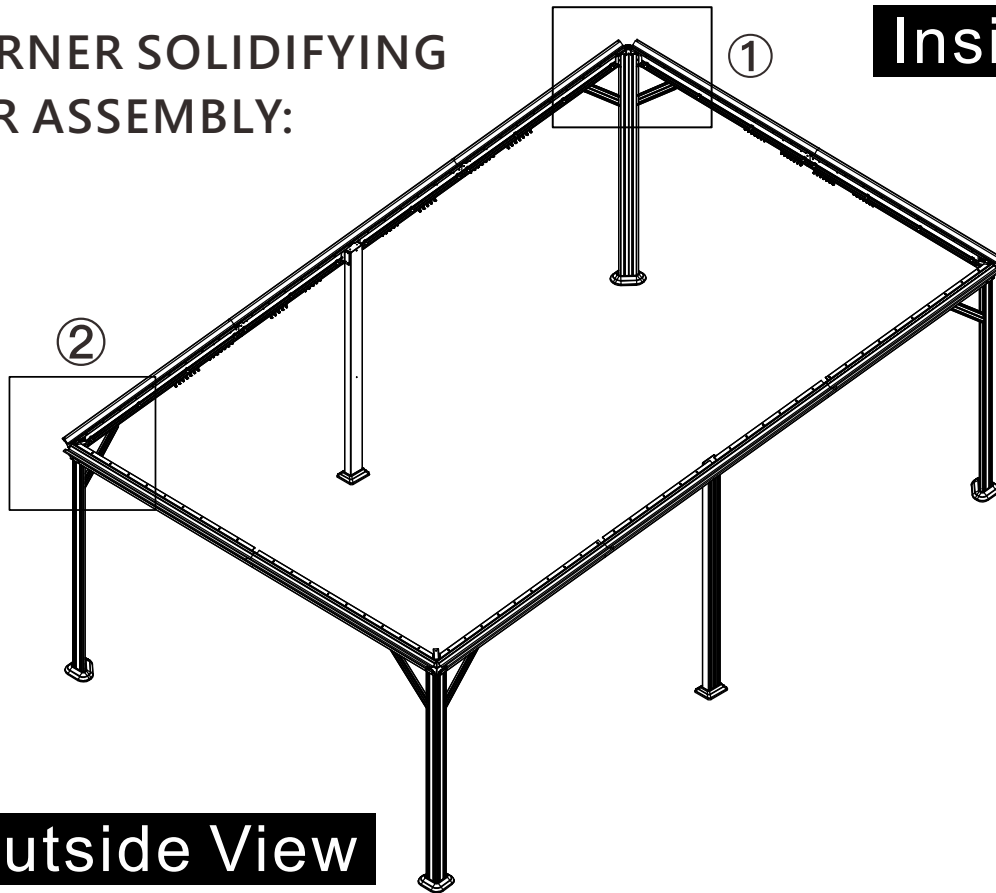
Outside View



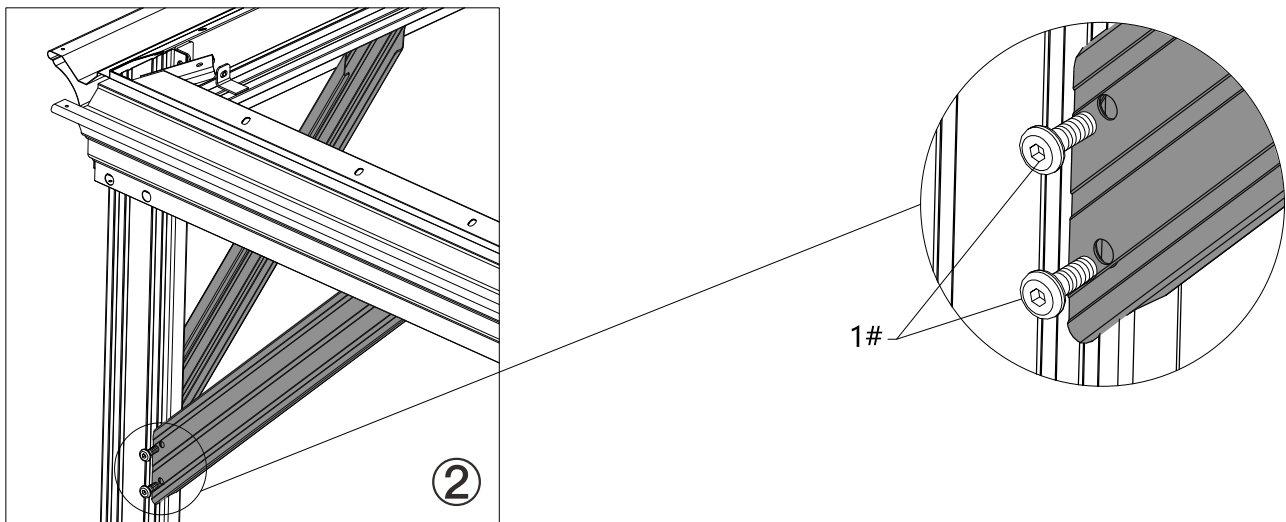


CORNER SOLIDIFYING BAR ASSEMBLY:

Inside View



Outside View

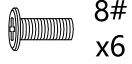




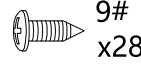
F (x4)



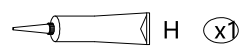
G (x6)



8#
x6

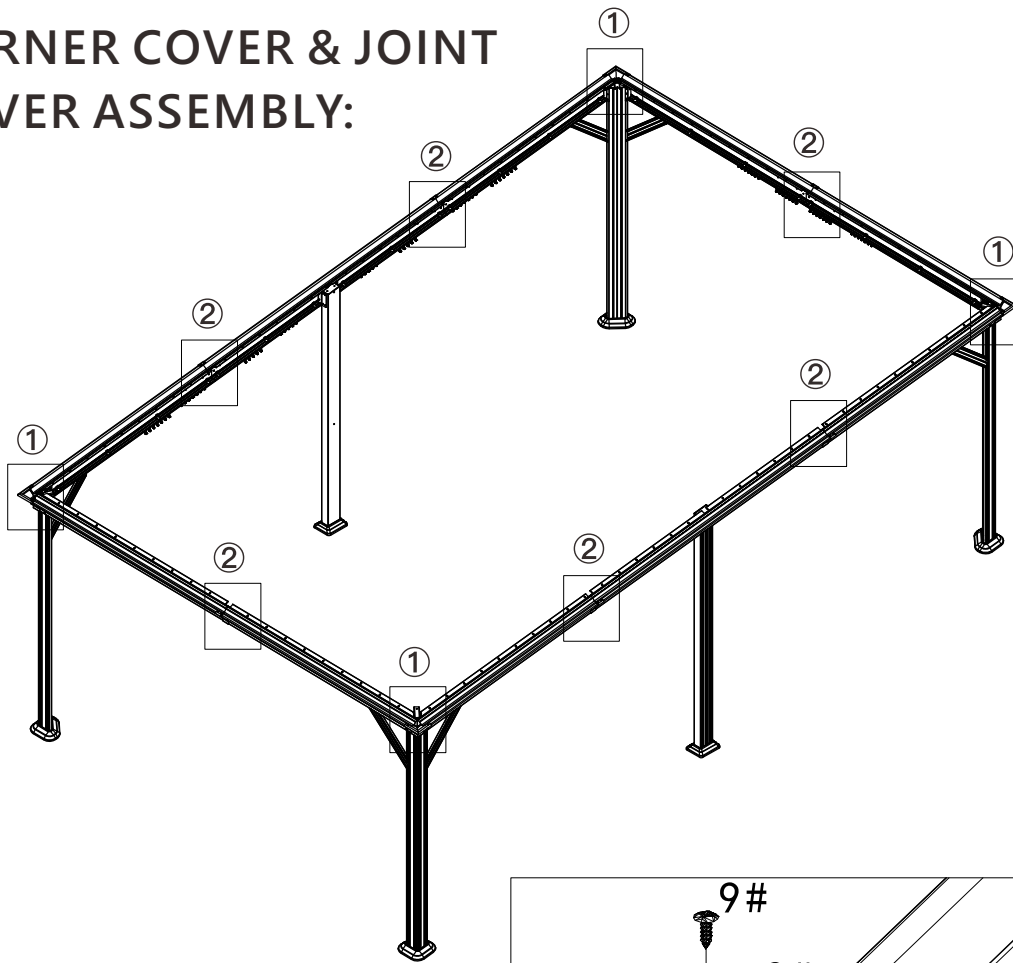


9#
x28

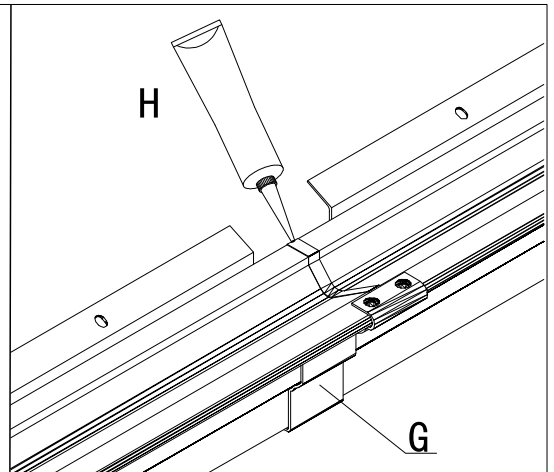
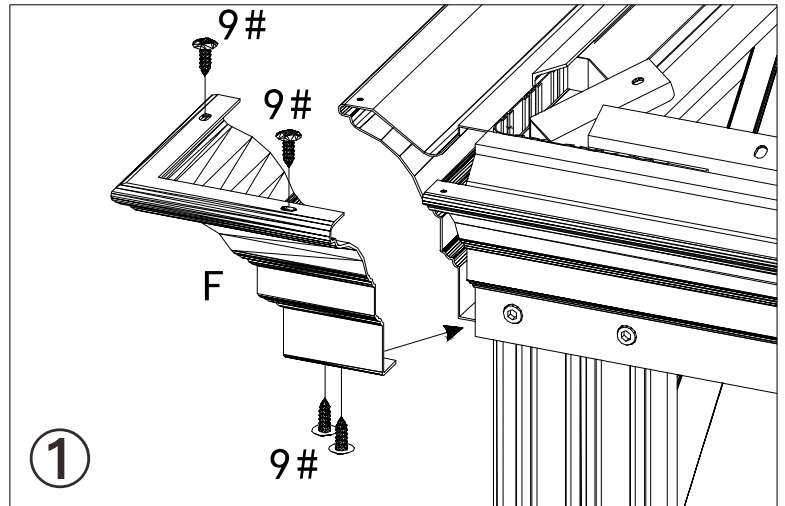


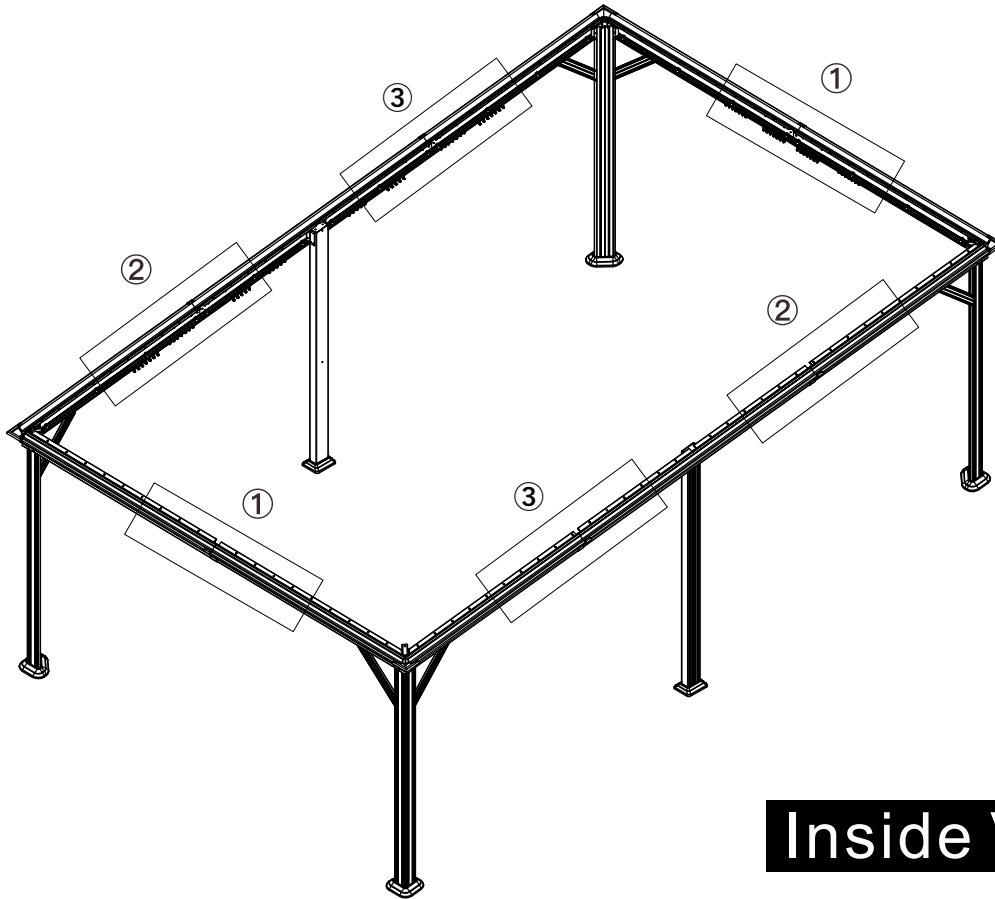
H (x1)

CORNER COVER & JOINT COVER ASSEMBLY:

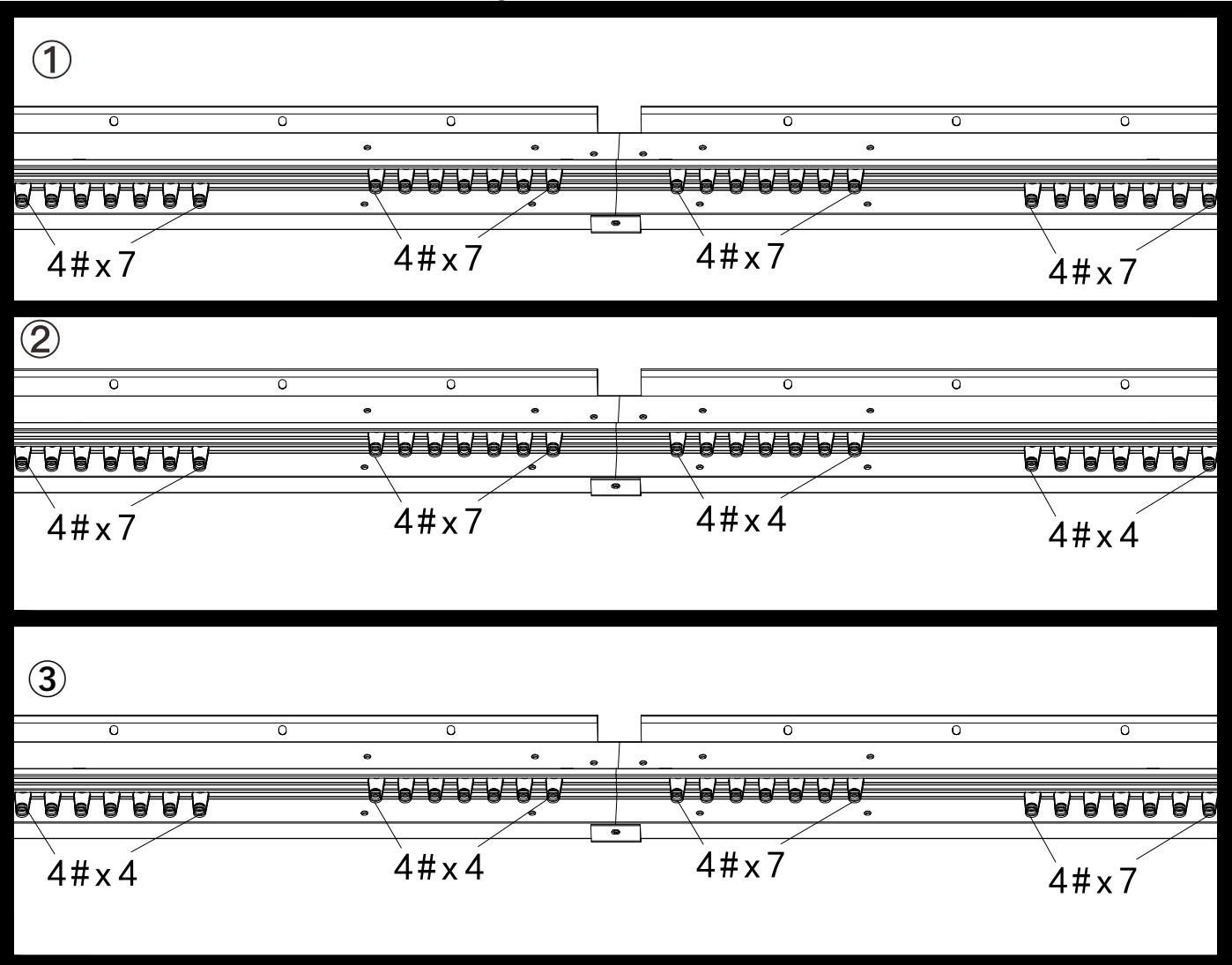


Use 5mm silicone sealant (part #H) and Joint Cover #G to affix the gap.





Inside View

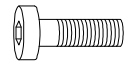




M x4

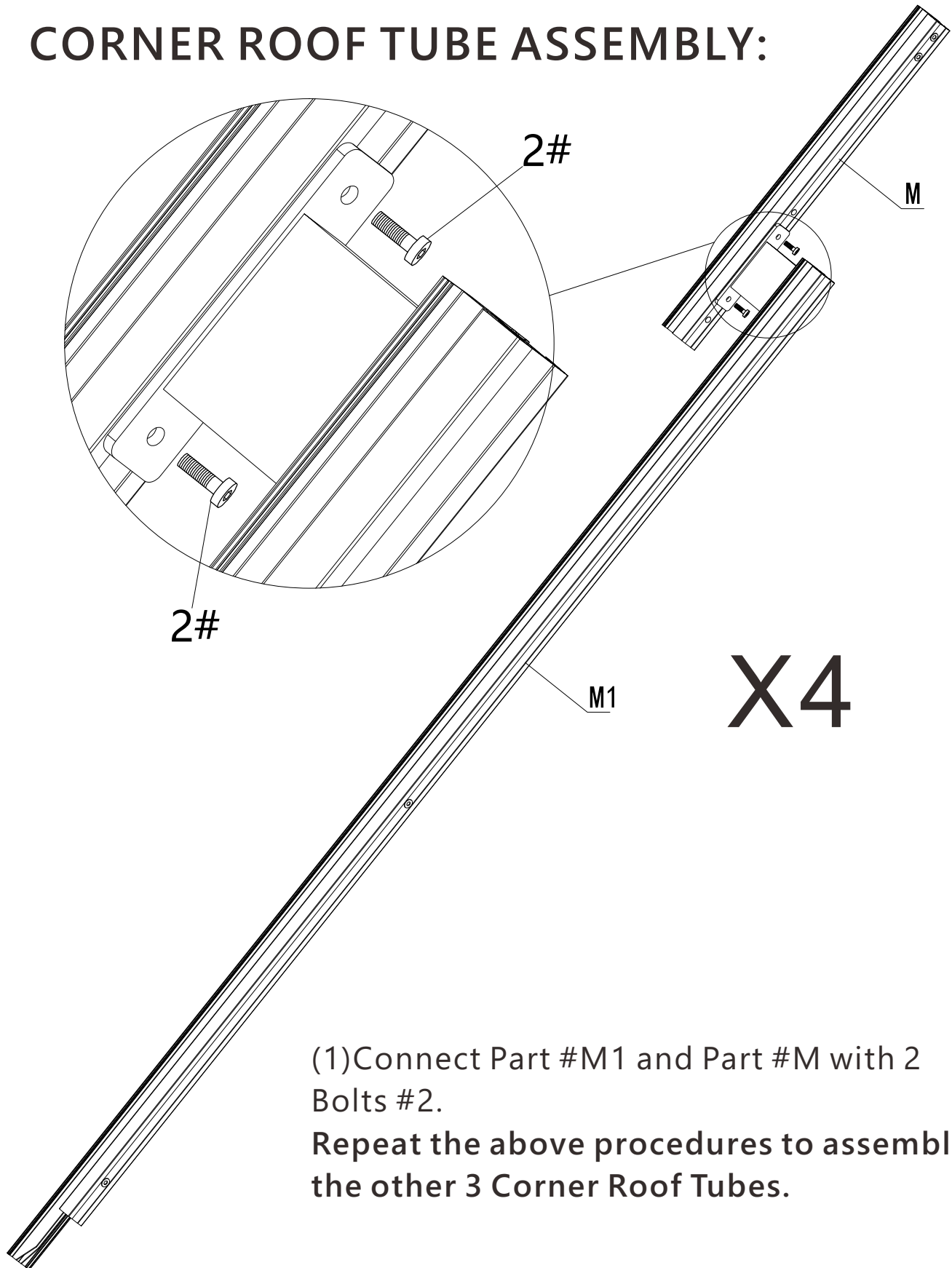


M1 x4



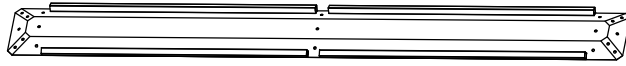
2#
x8

CORNER ROOF TUBE ASSEMBLY:



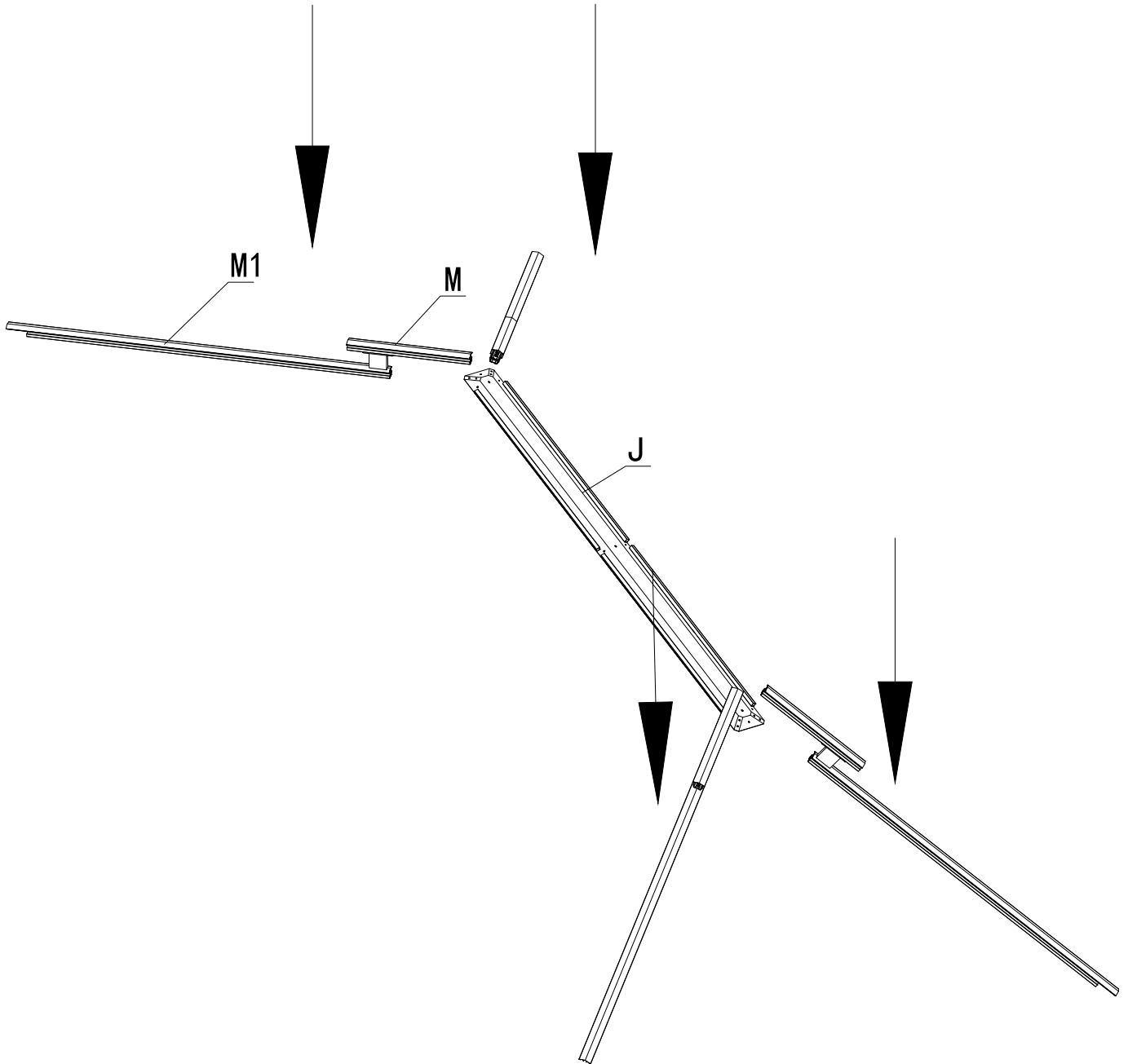
(1) Connect Part #M1 and Part #M with 2 Bolts #2.

Repeat the above procedures to assemble the other 3 Corner Roof Tubes.

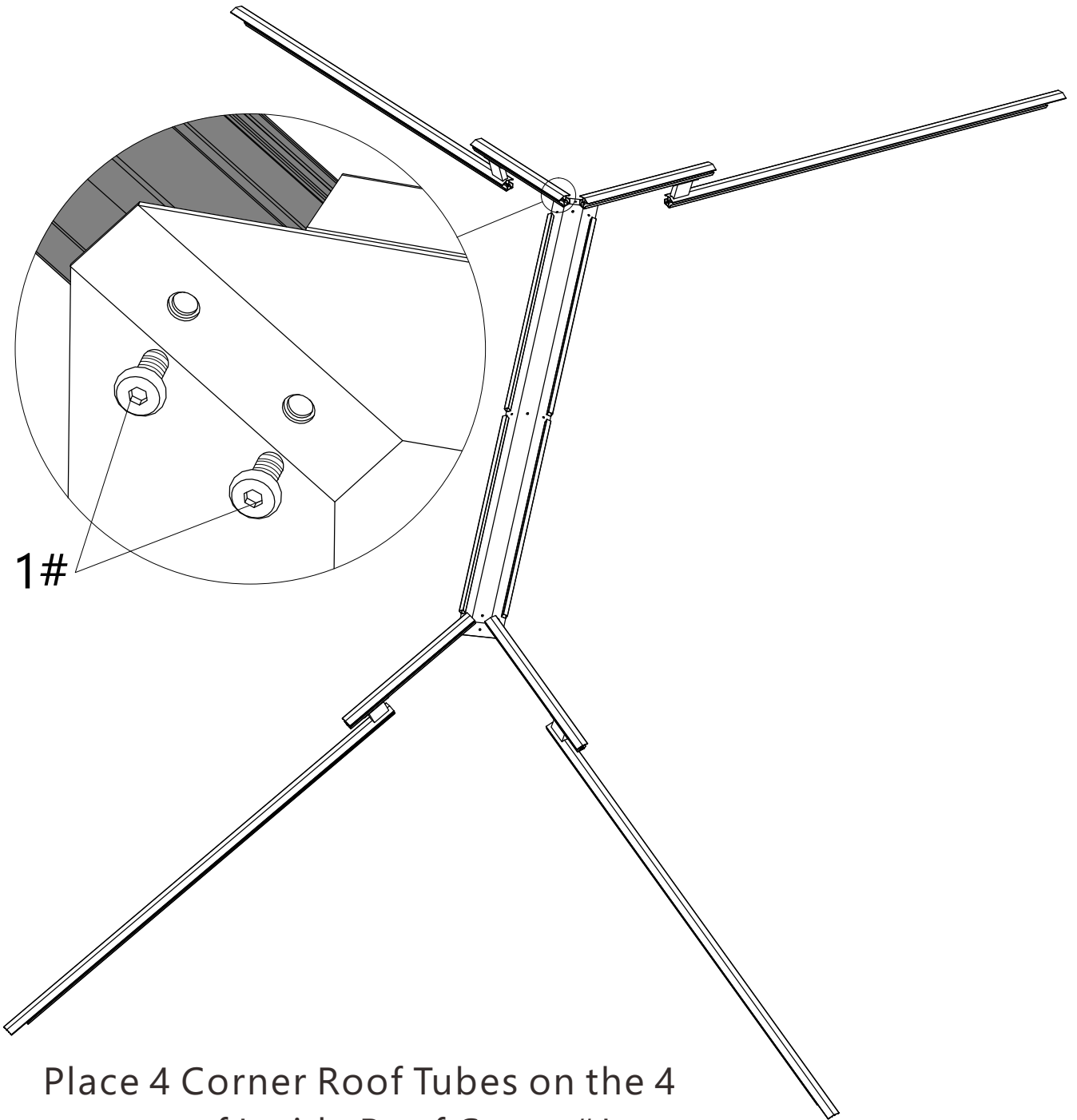


J (x1)

CORNER ROOF TUBE AND INSIDE ROOF CONNECTOR ASSEMBLY:



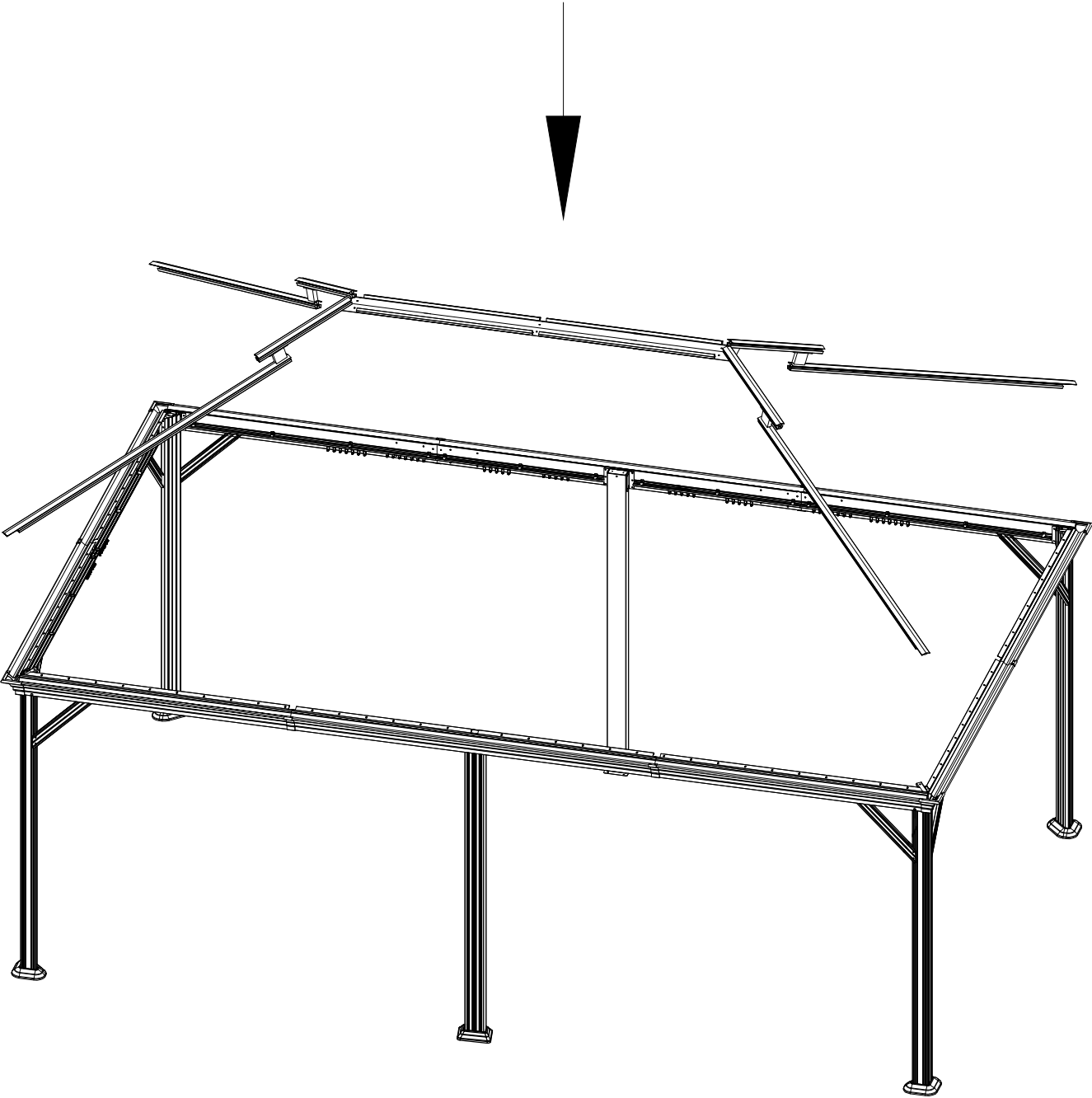
1#
x8



1#

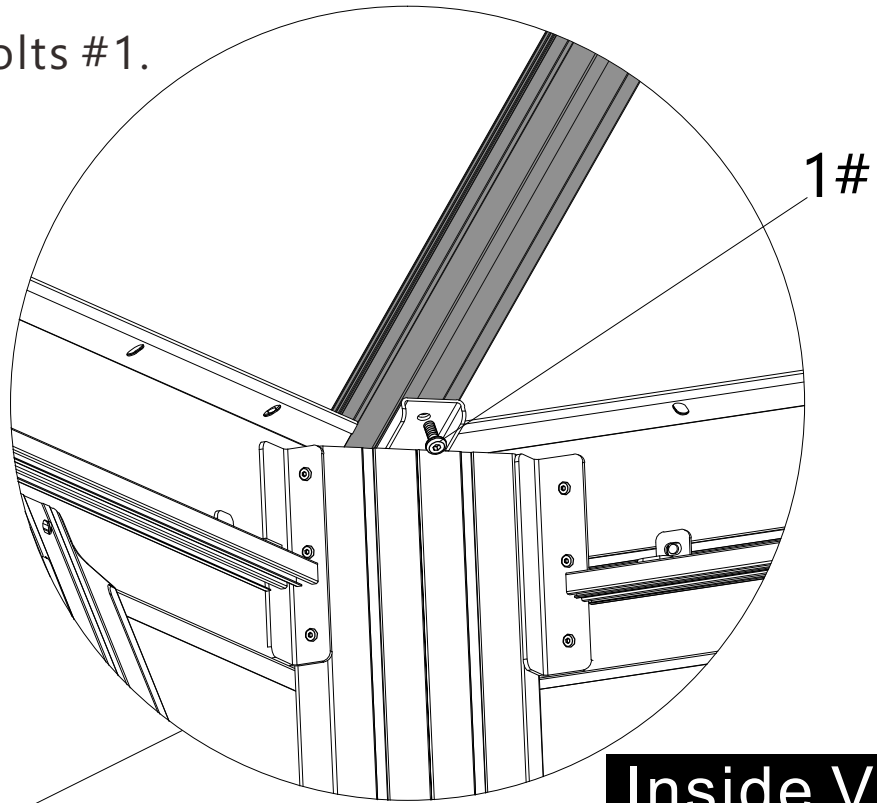
Place 4 Corner Roof Tubes on the 4 corners of Inside Roof Cover #J, secure with 8 Bolts #1. (From bottom to top)

Lift 4 corner roof tubes and inside roof connector to the top of the frame. (You may need 2 people and 2 ladders.)

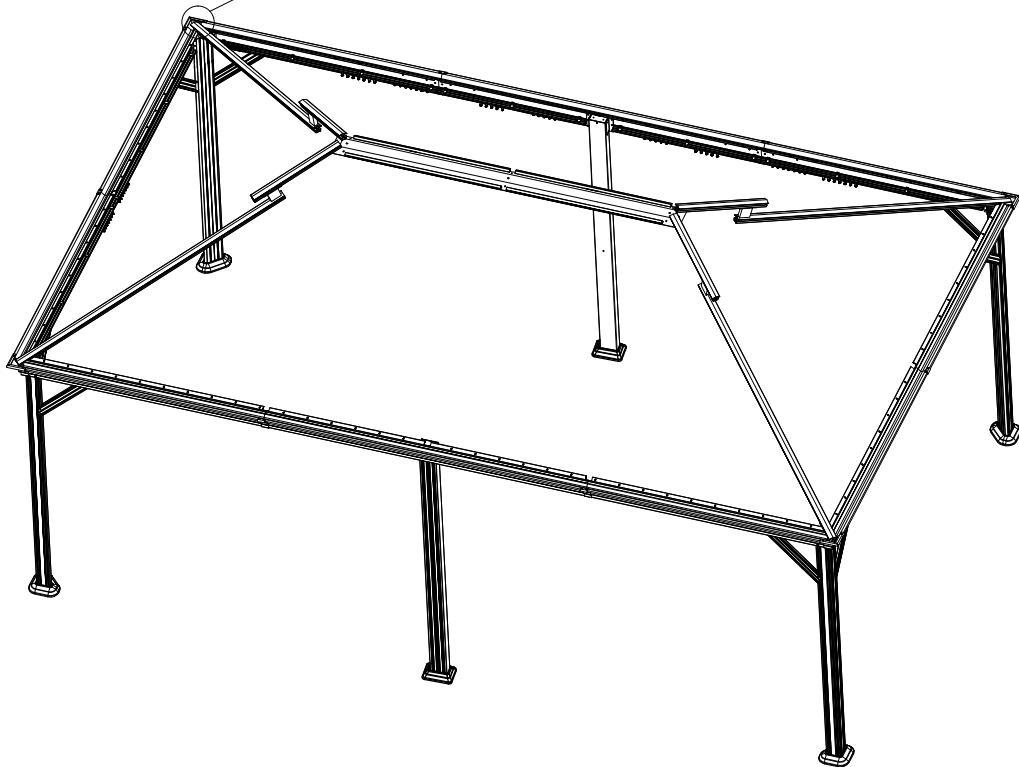


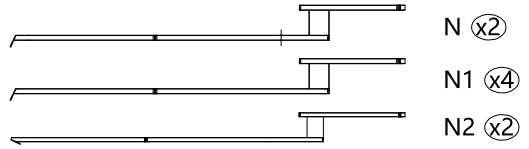
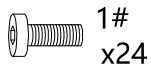
1#
×4

Secure with 4 Bolts #1.

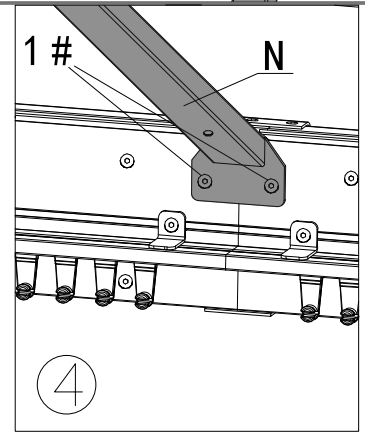
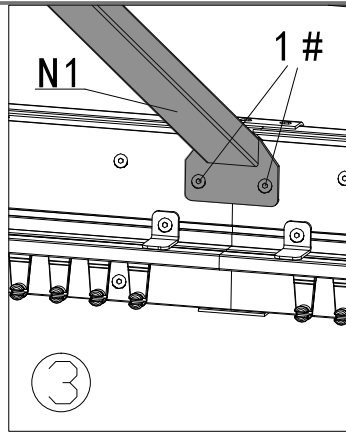
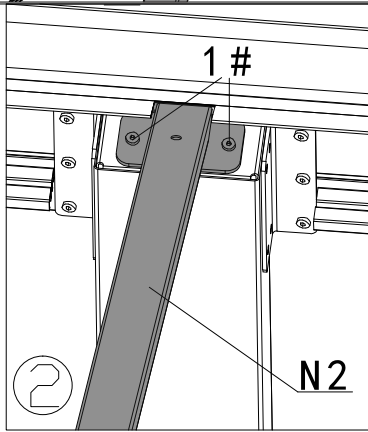
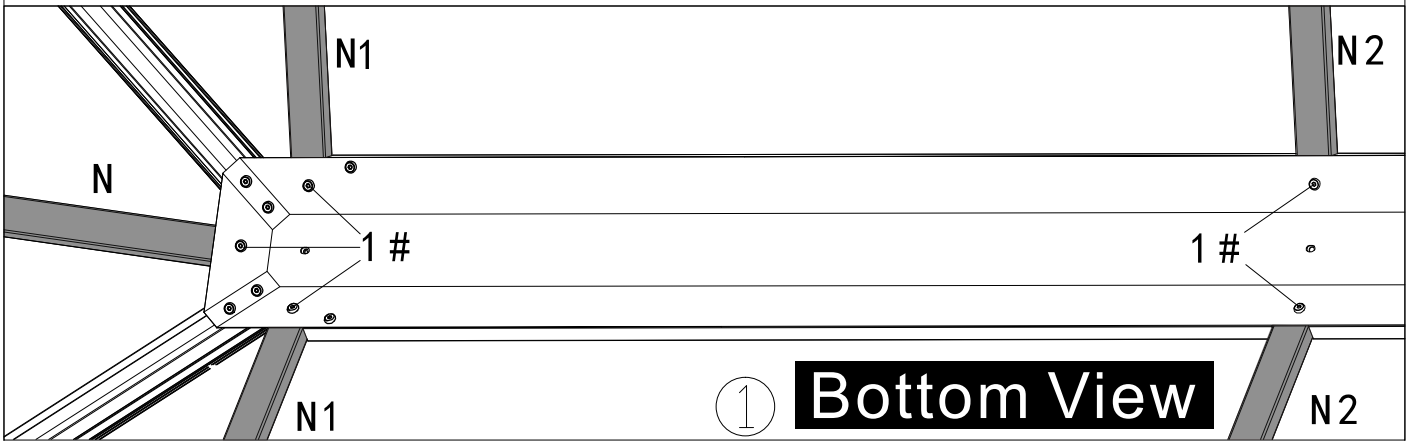


Inside View

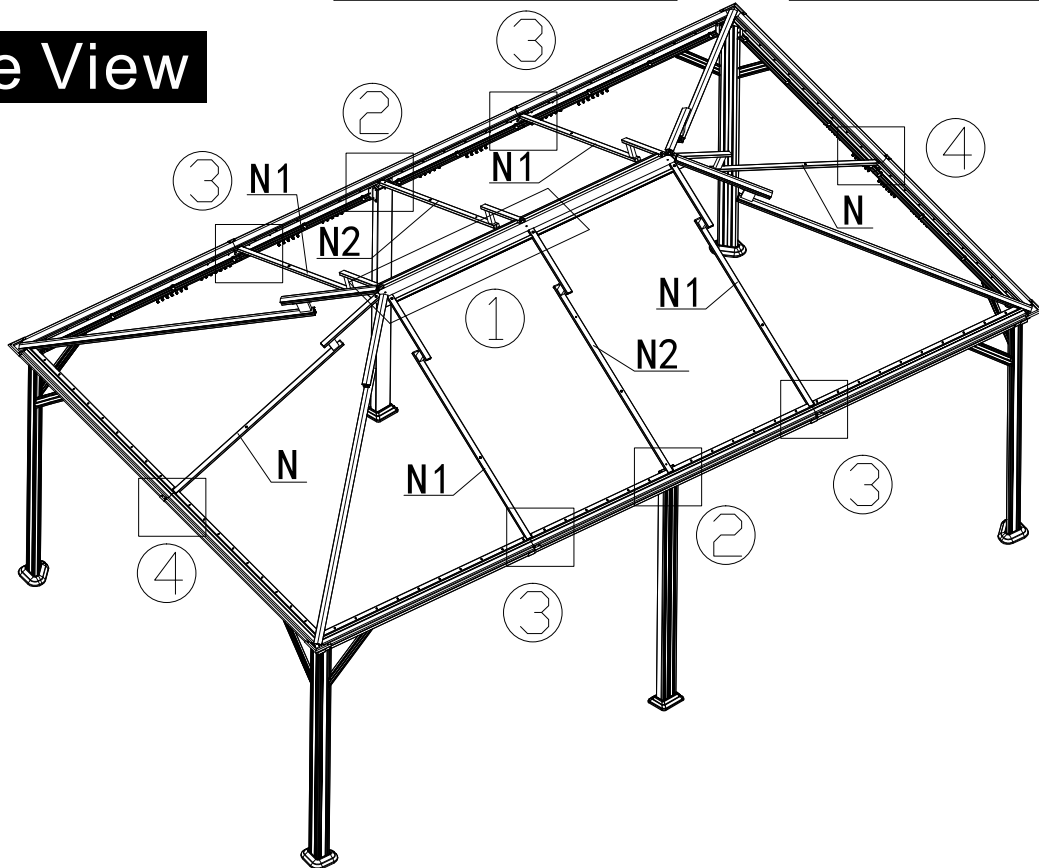




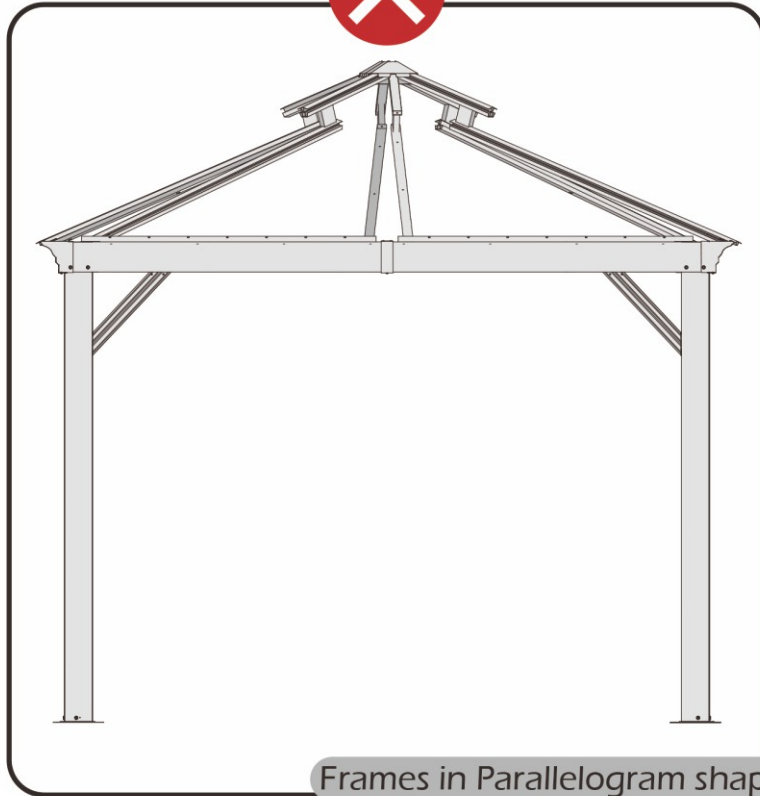
MIDDLE ROOF TUBE ASSEMBLY:



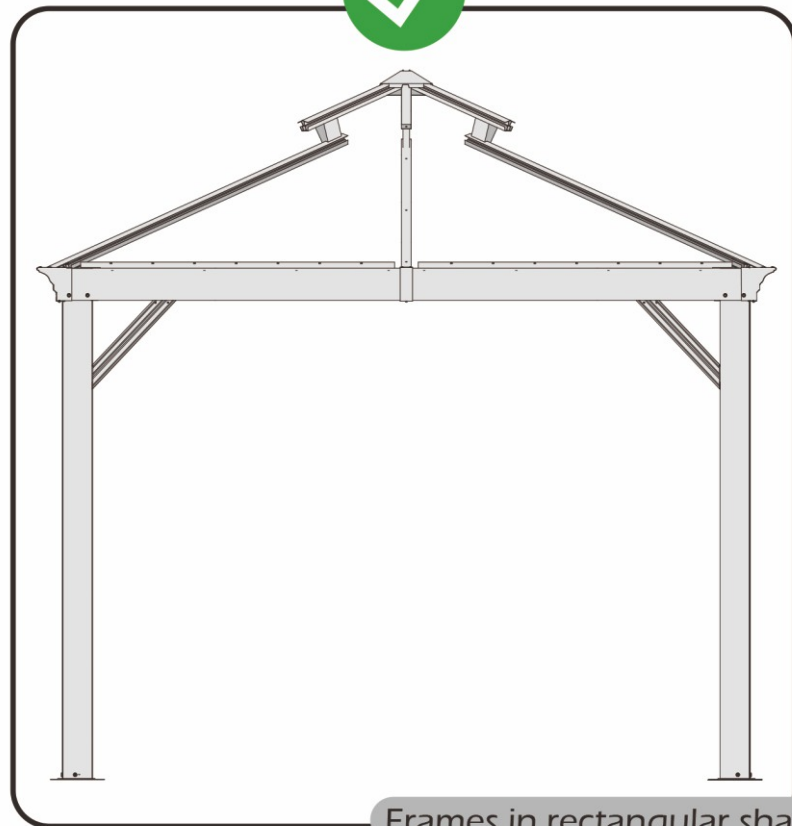
Inside View



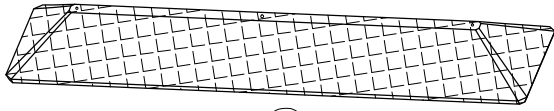
Check the the frame as pictures below shows.



Frames in Parallelogram shape



Frames in rectangular shape



O (x1)

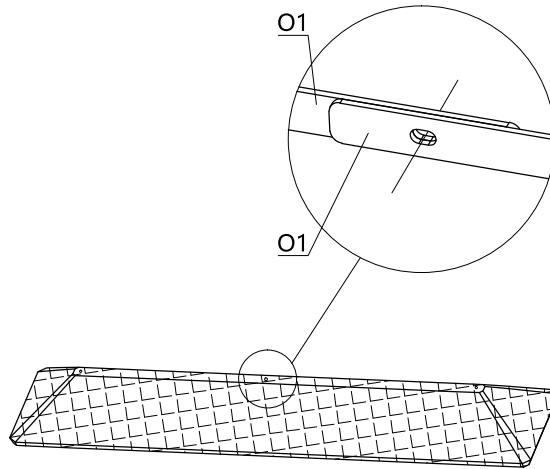
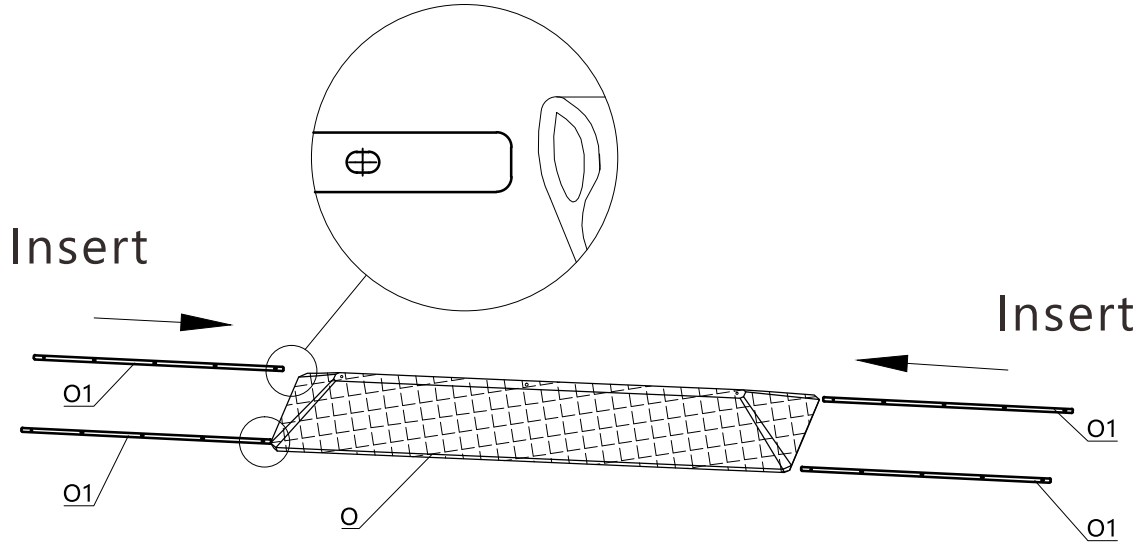


O1 (x4)

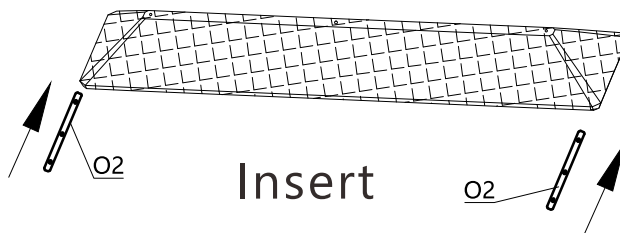


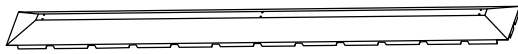
O2 (x2)

PLASTIC BAR ASSEMBLY:



Align the holes





E0 (x1)

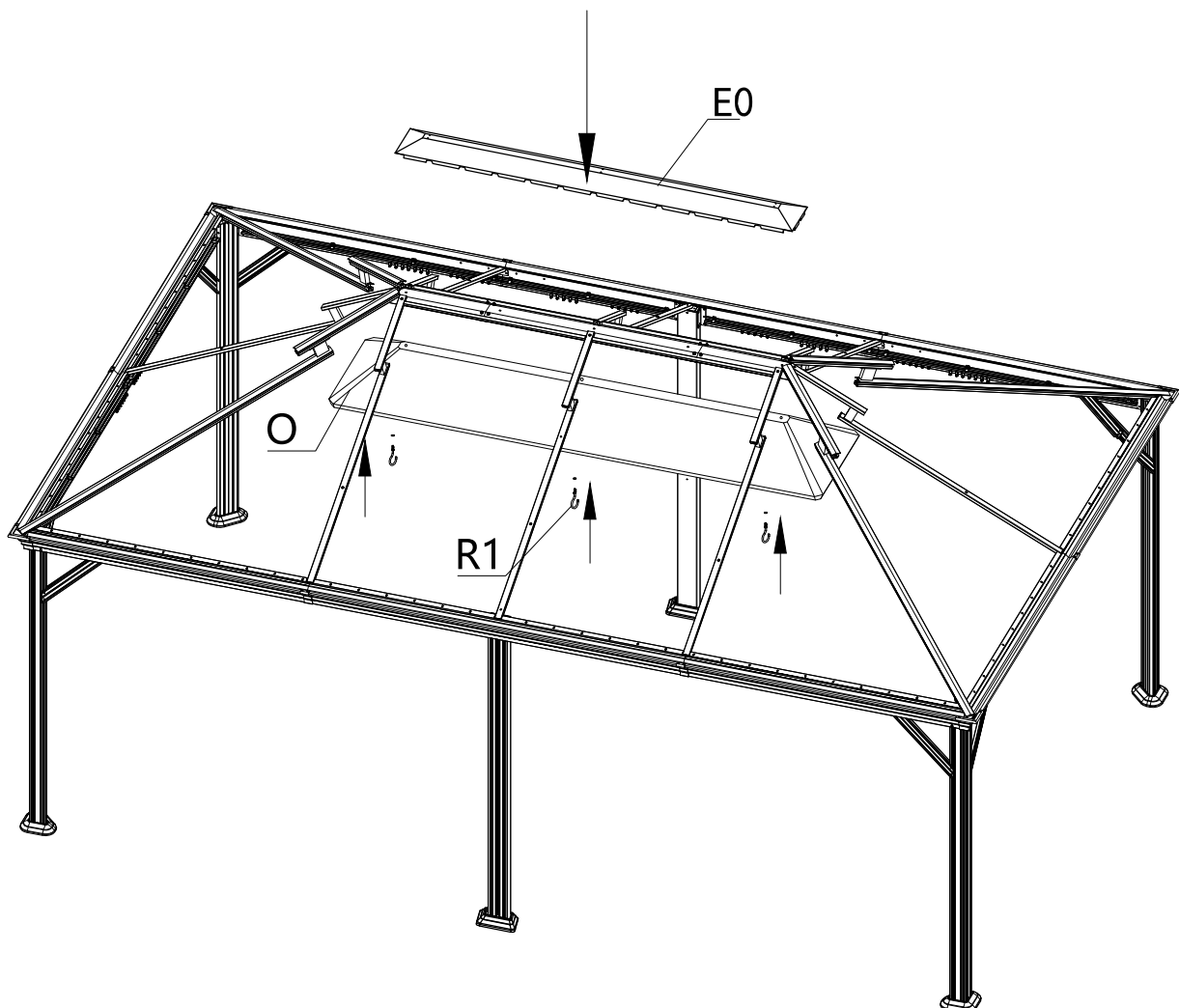


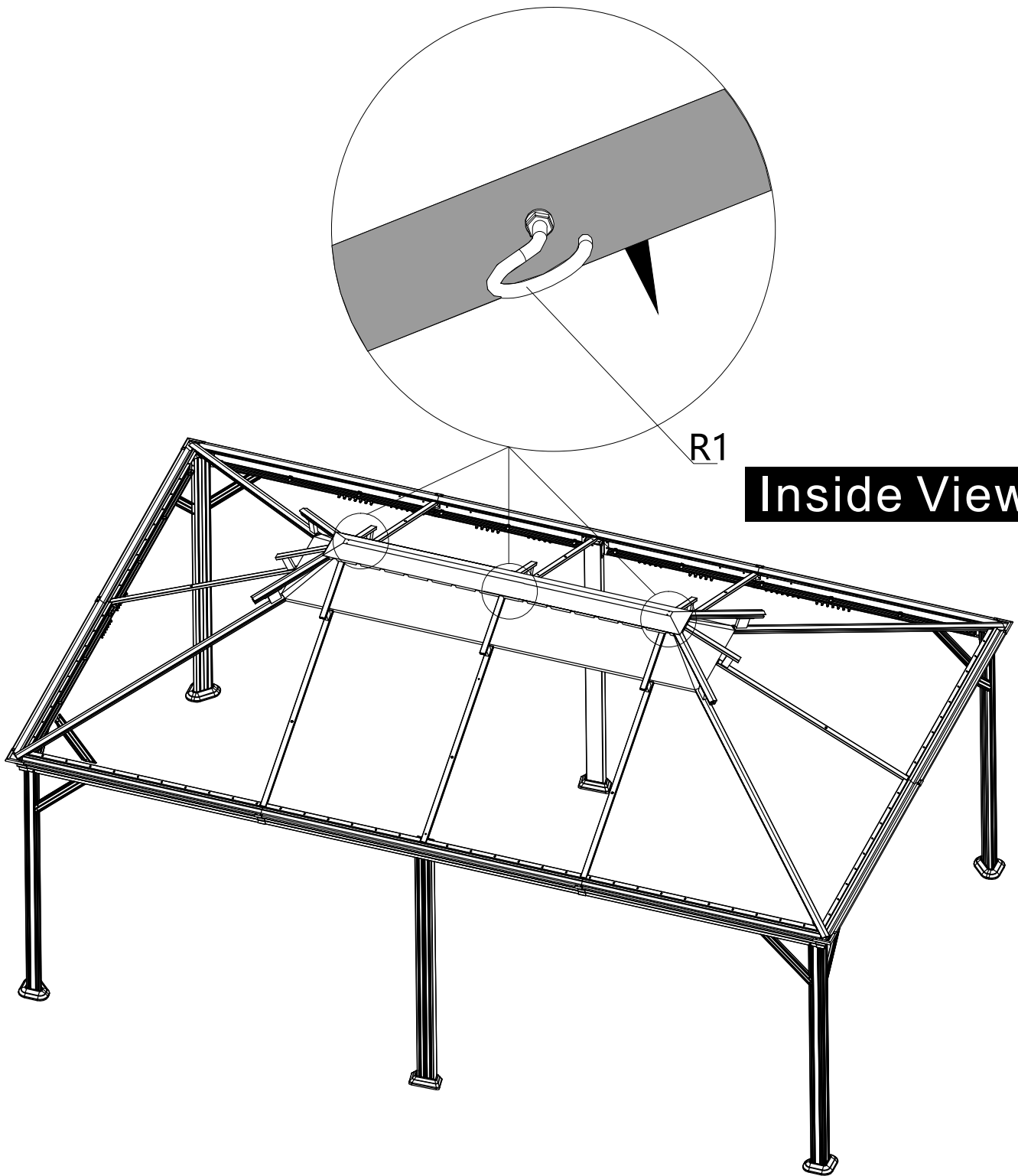
R1 (x3)

OUTSIDE ROOF COVER AND MESH ASSEMBLY:

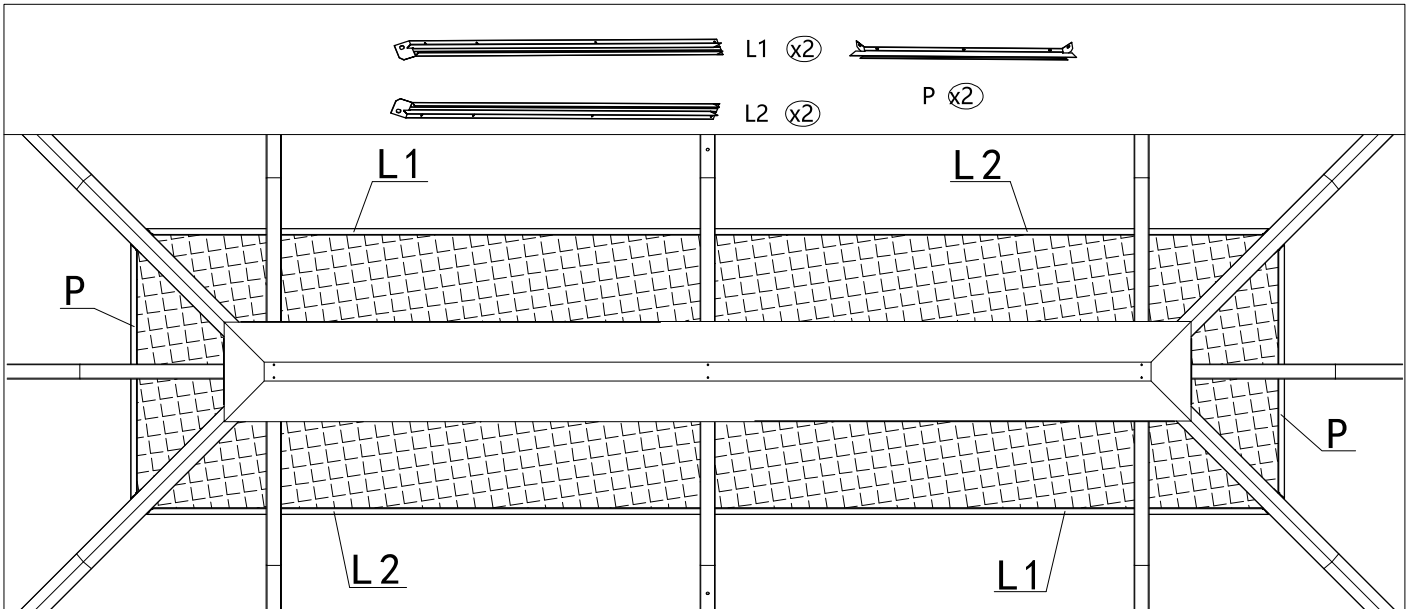
(1) Place the Outside Roof Cover on the Inside Roof Cover.

(2) Align the holes and use 3 Hooks #R1 to secure Mesh #O to the Inside Roof Cover. (From Bottom to Top)

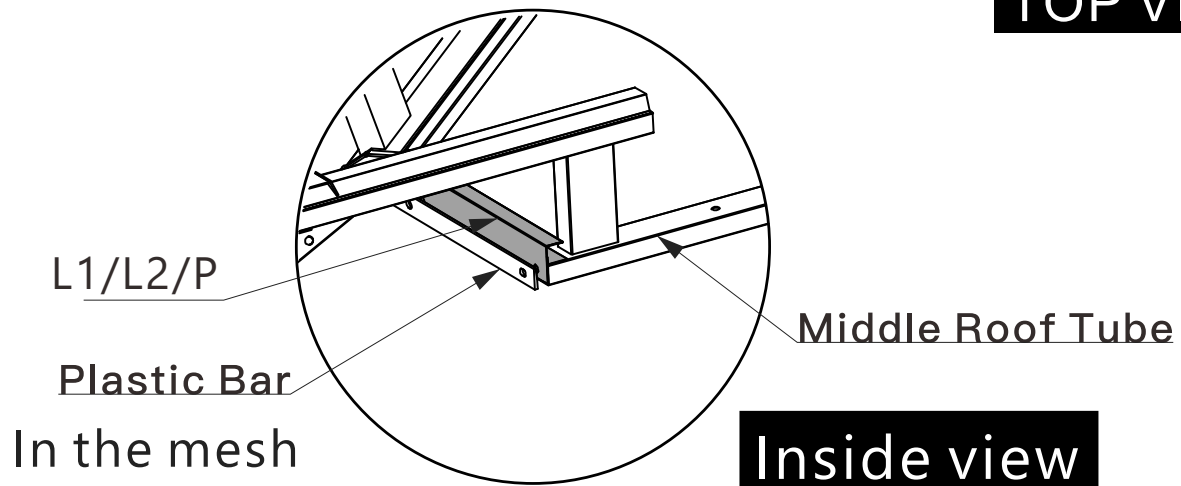




Inside View



TOP VIEW

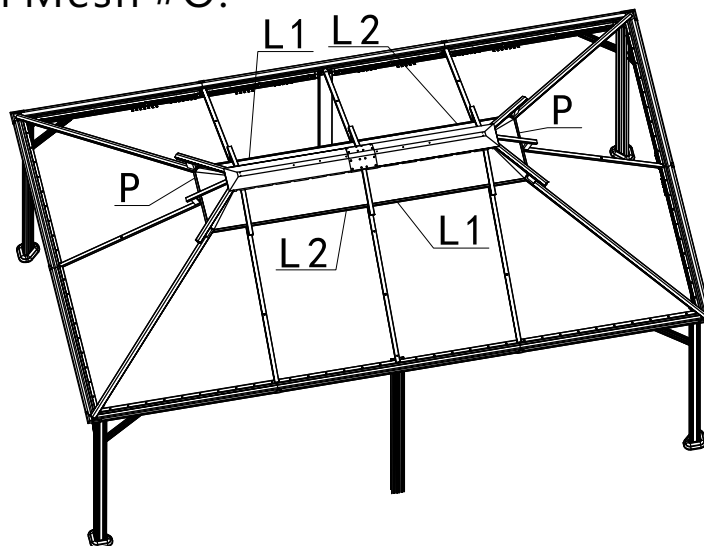


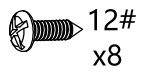
Inside view



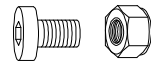
Please do not pull plastic bar out when installing it with #L1,L2&P on the middle roof tube.

Extend the Small Mesh #O.

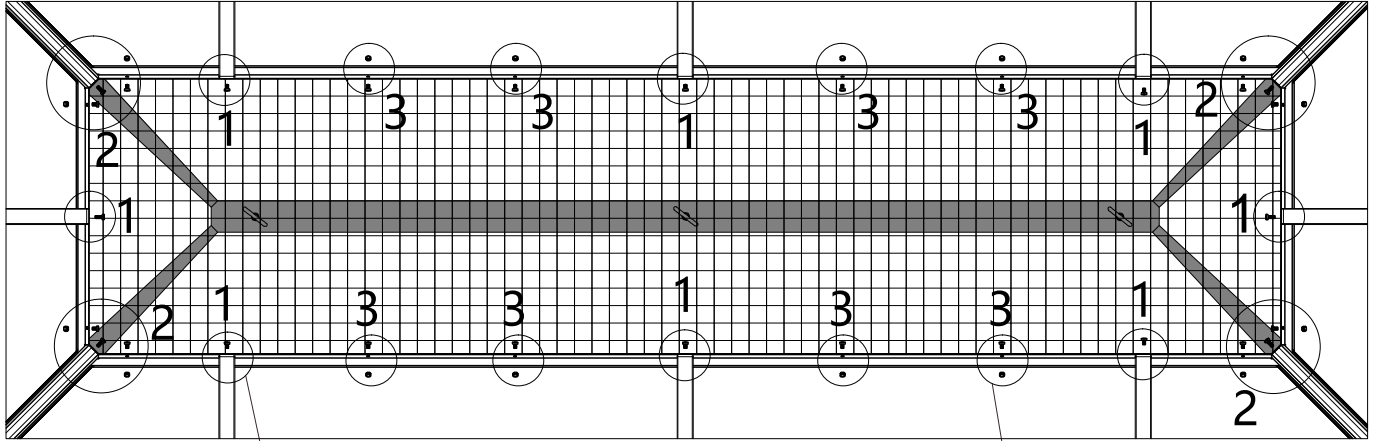




12#
x8

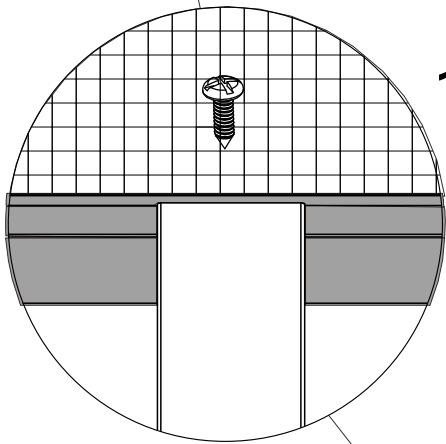


11#
x8



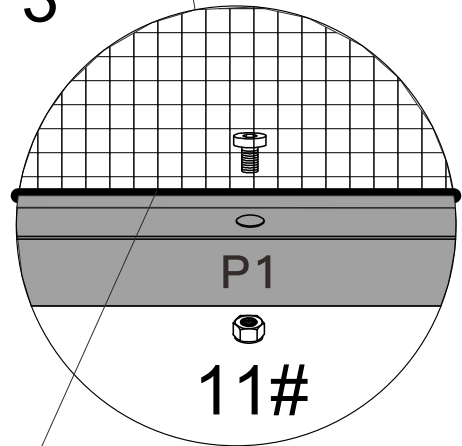
BOTTOM VIEW

1



12#

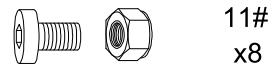
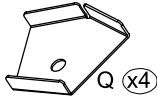
3



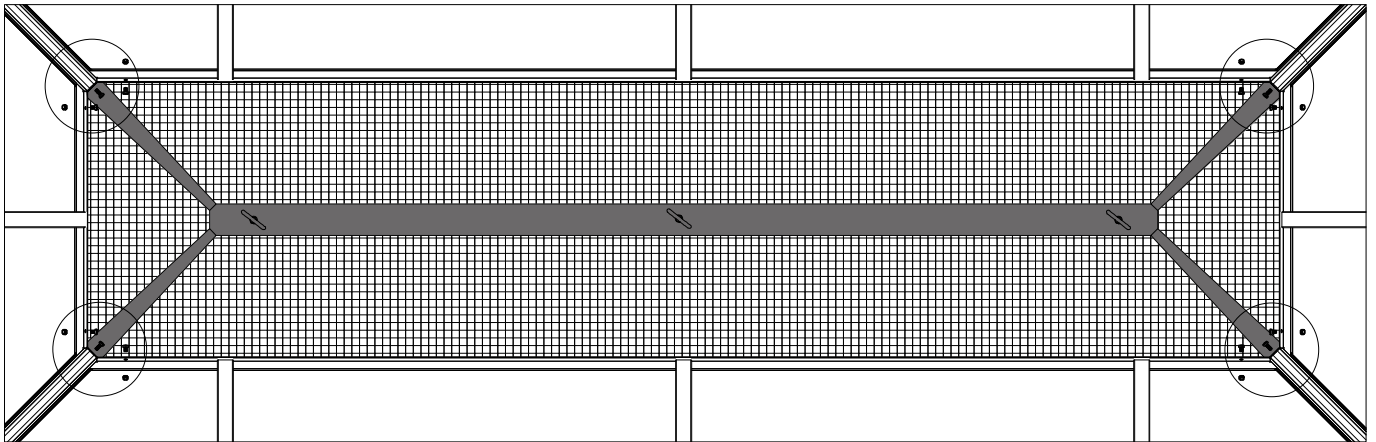
11#

Plastic Bar
in the mesh

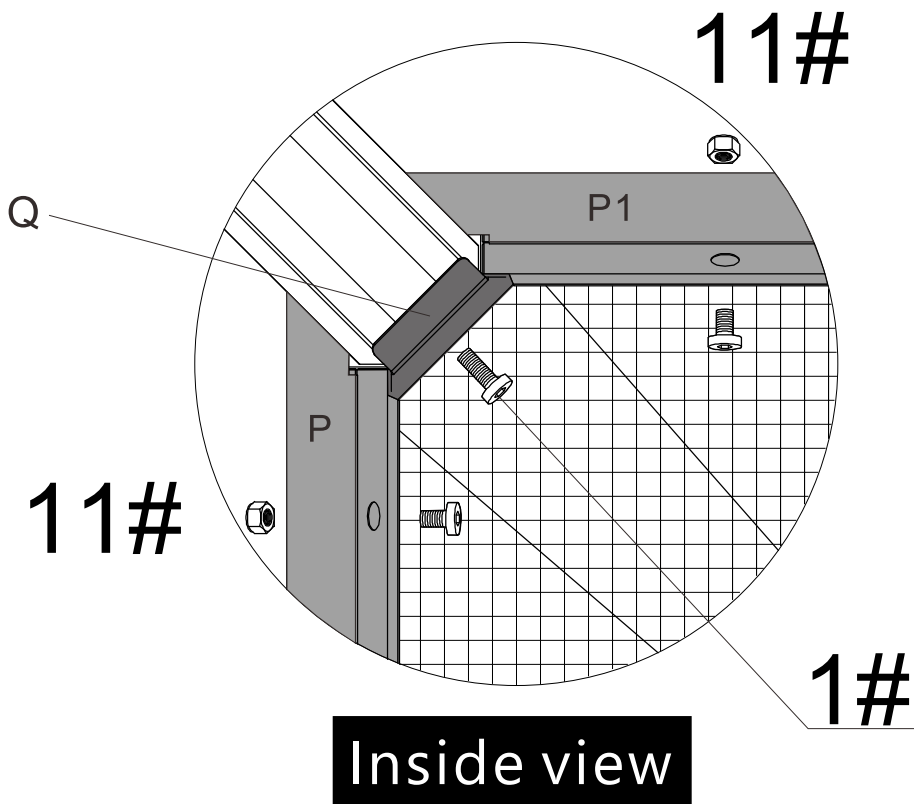
Secure the small mesh, plastic bar and finishing bar to the middle roof tube.



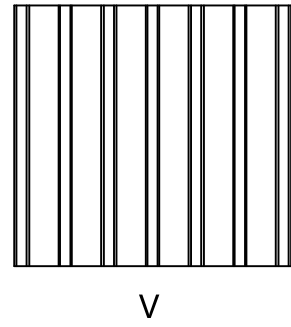
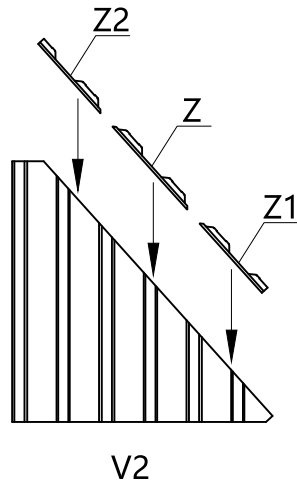
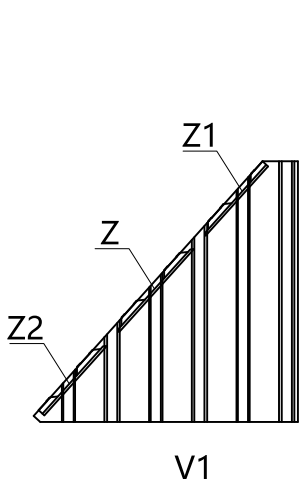
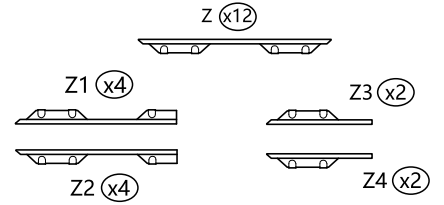
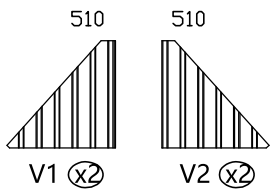
FINISHING END #Q ASSEMBLY:



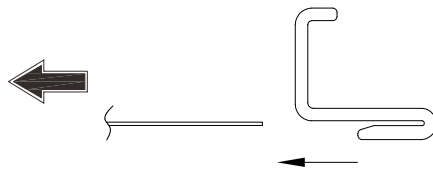
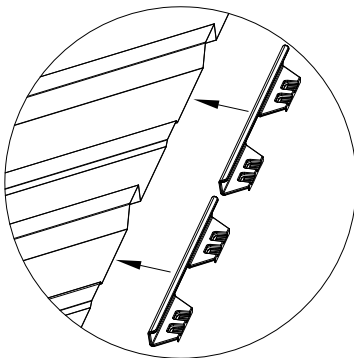
Bottom View



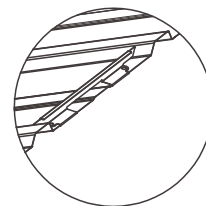
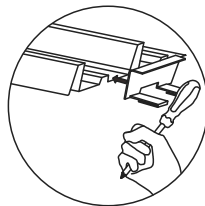
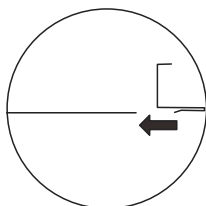
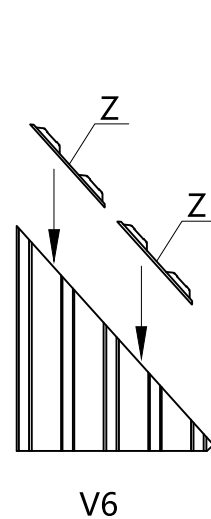
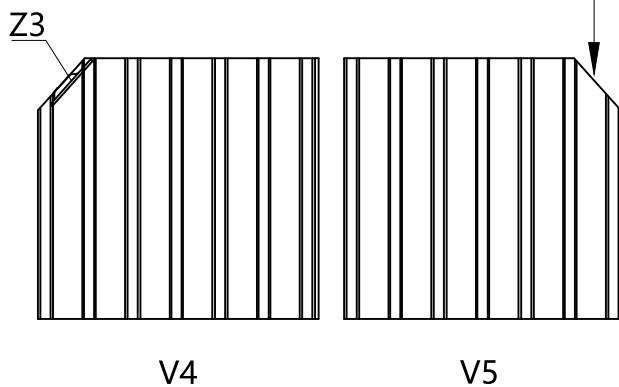
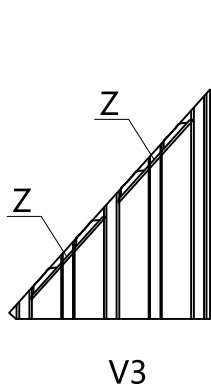
- (1) use 2 bolts and nuts #11 to secure the small mesh, plastic bar to finishing bar.
- (2) Use bolt #1 to secure the small mesh and finishing end #Q to the corner roof tube.
- (3) Repeat above procedures to assemble the other 3 sides.



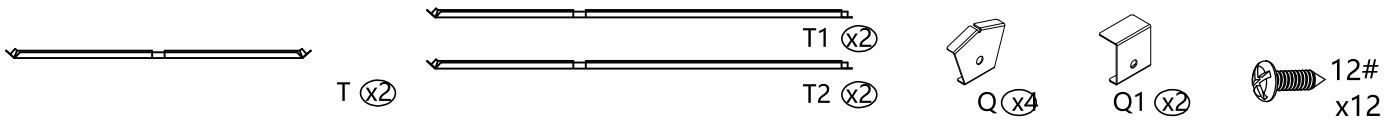
Remove the protective film of the panels before installing the roof panels.
Please install Plastic Clips in strict accordance with the instructions.



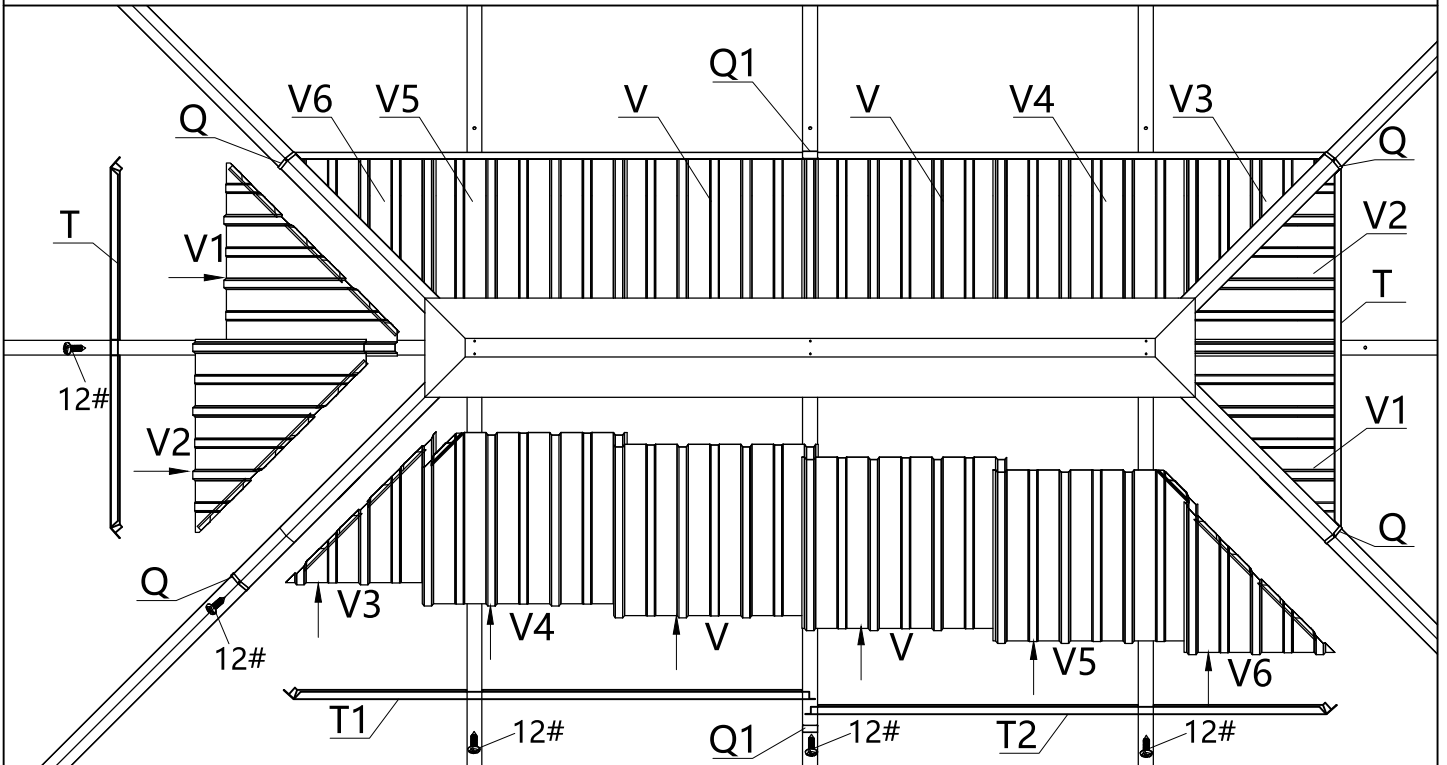
Section View



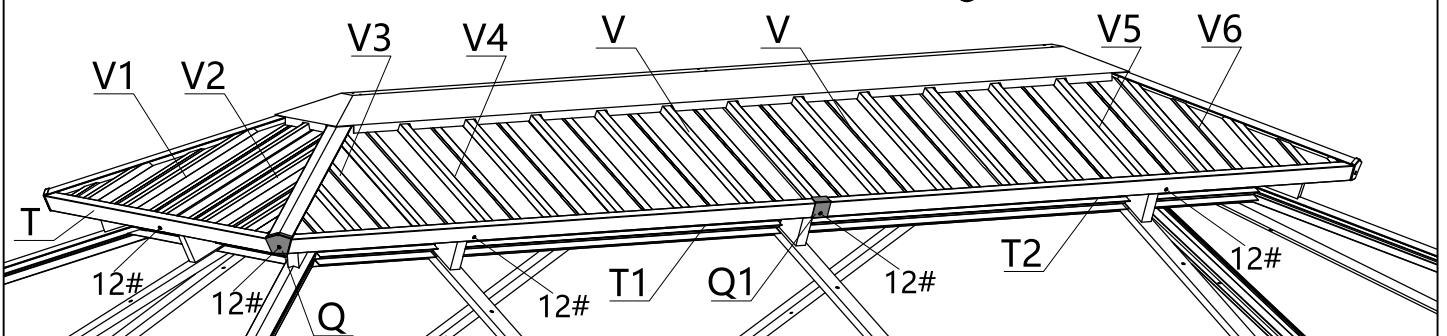
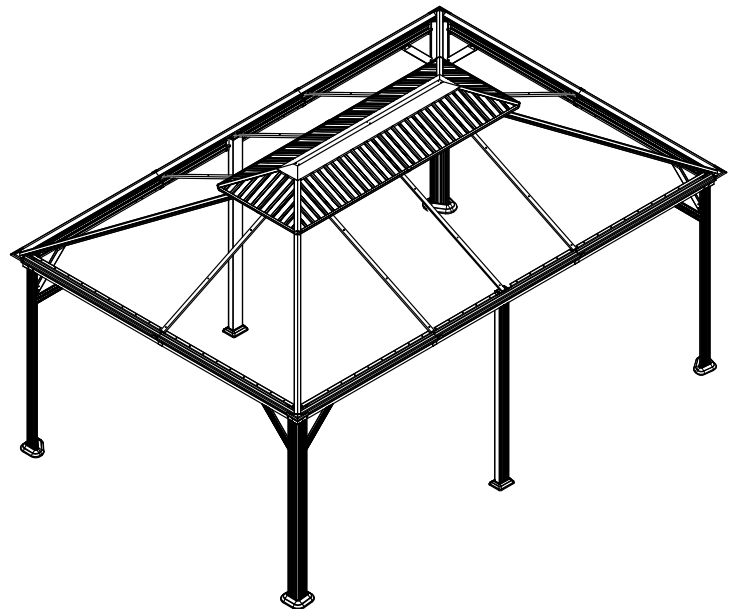
Attach Part #Z, #Z1, #Z2, #Z3&#Z4 by lightly tapping with screwdriver.

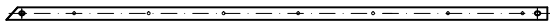


SMALL ROOF PANEL AND FINISHING BAR ASSEMBLY:



If you can't install #V, push the Outside Roof Cover up and try to insert them again.

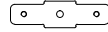




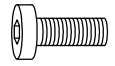
U1 (x8)



U3 (x4)



U4 (x6)

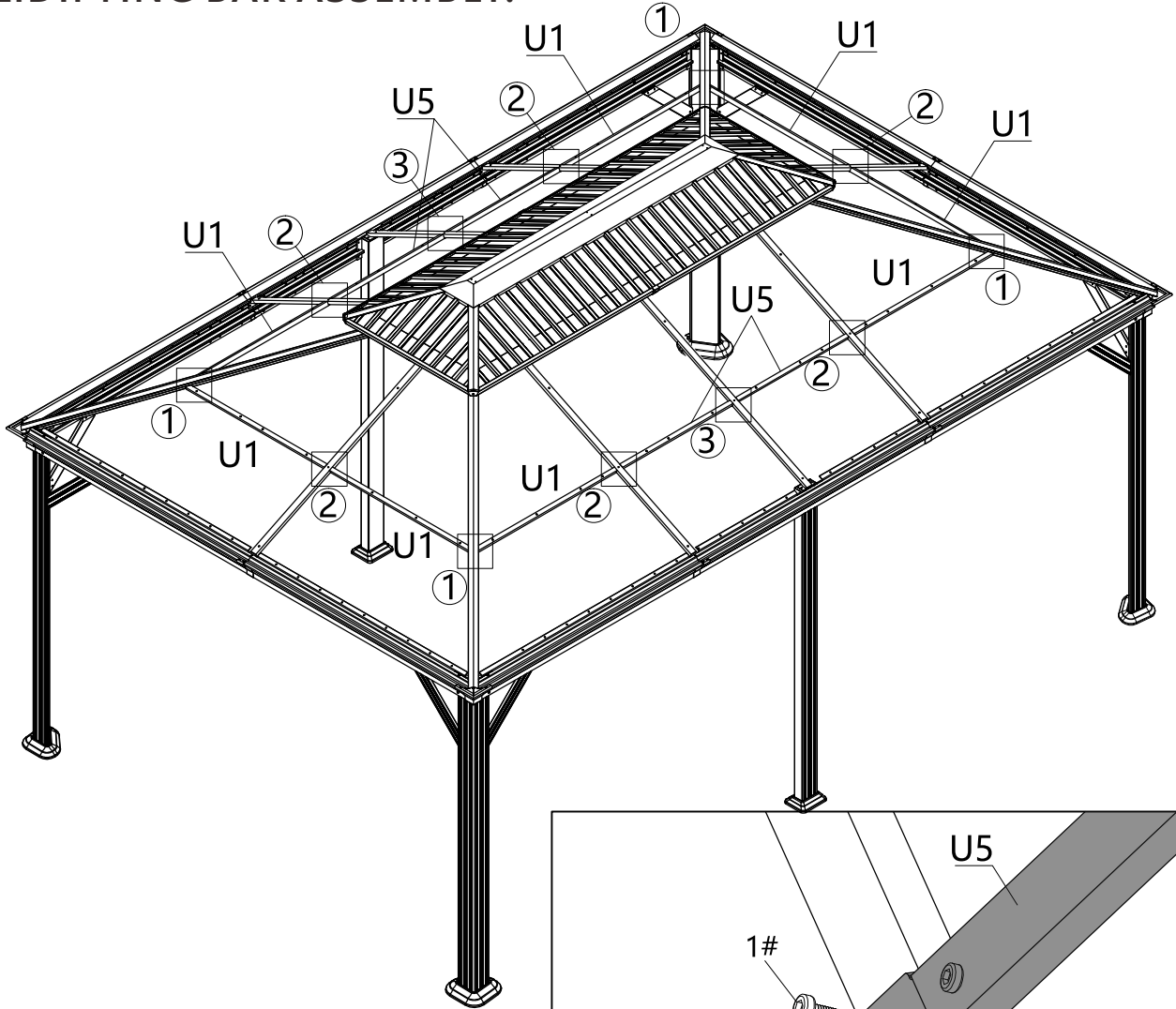


1#
x32

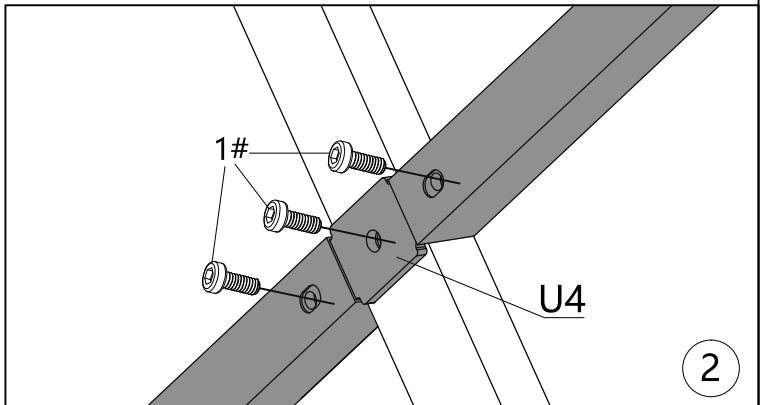
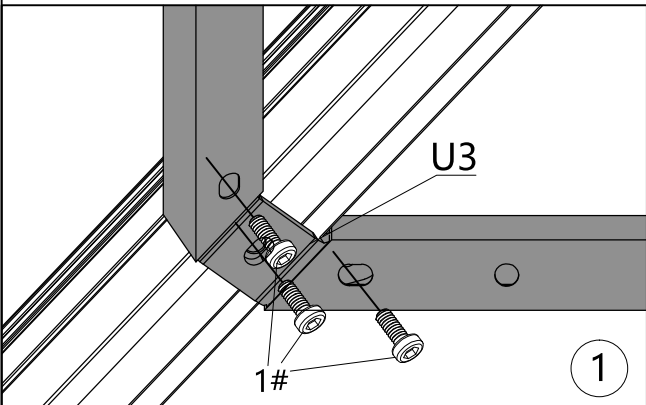
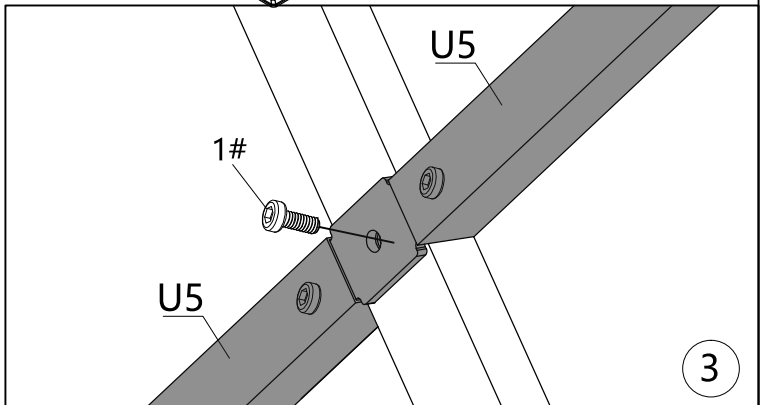


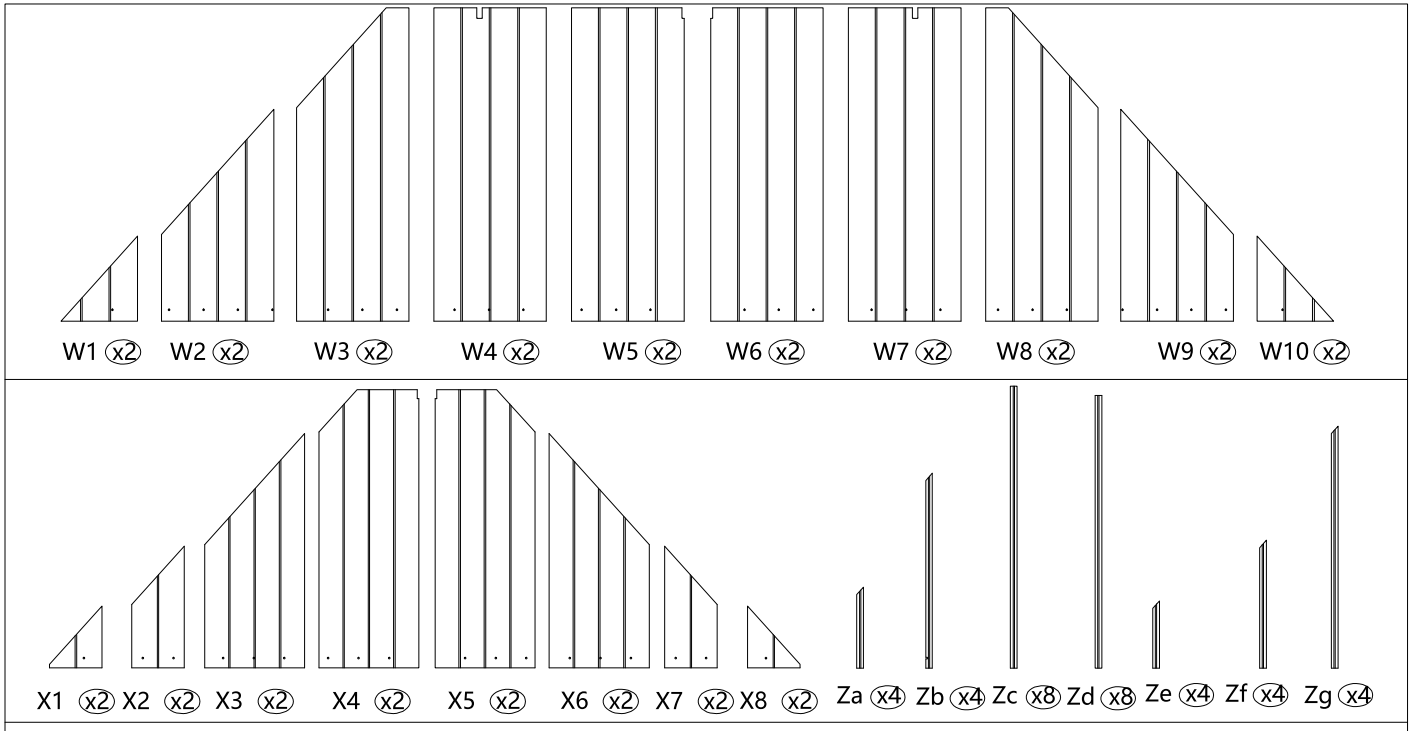
U5 (x2)

SOLIDIFYING BAR ASSEMBLY:

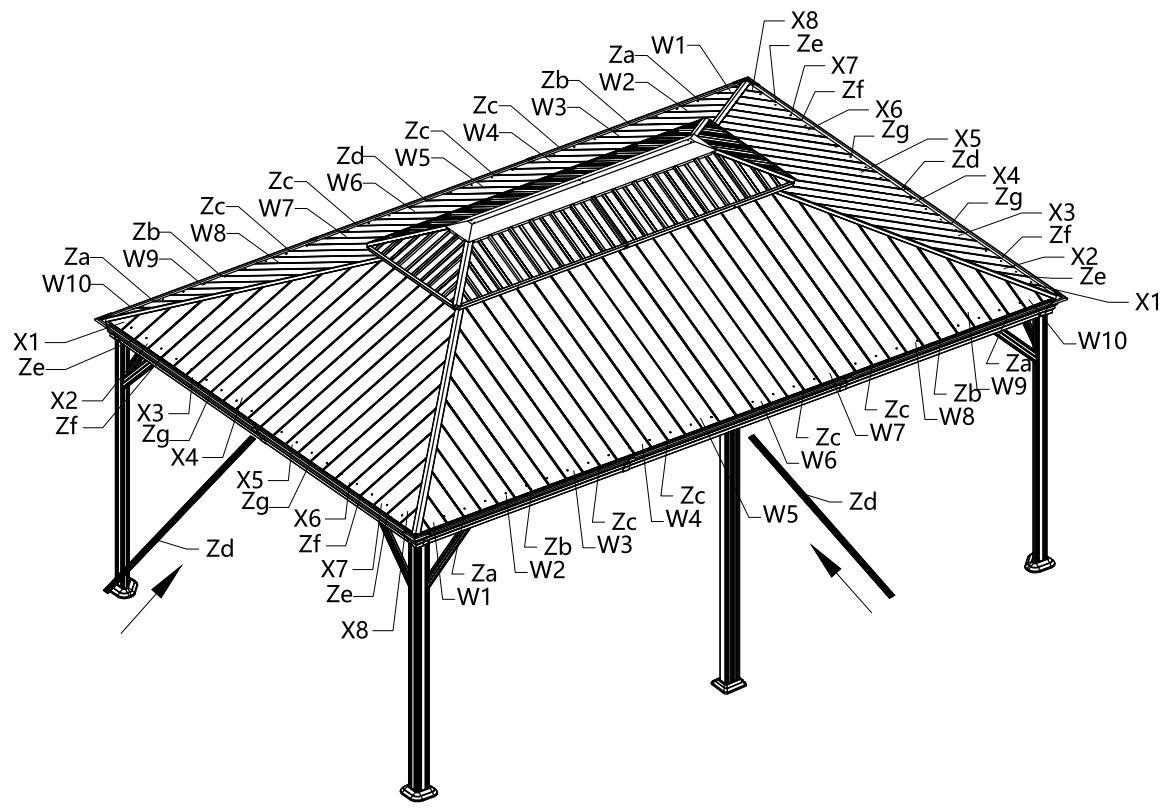


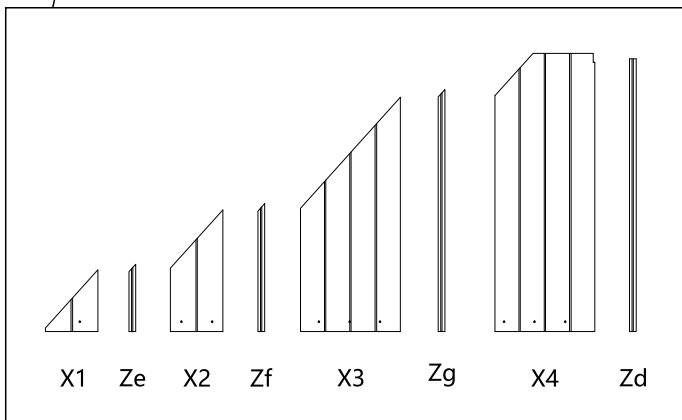
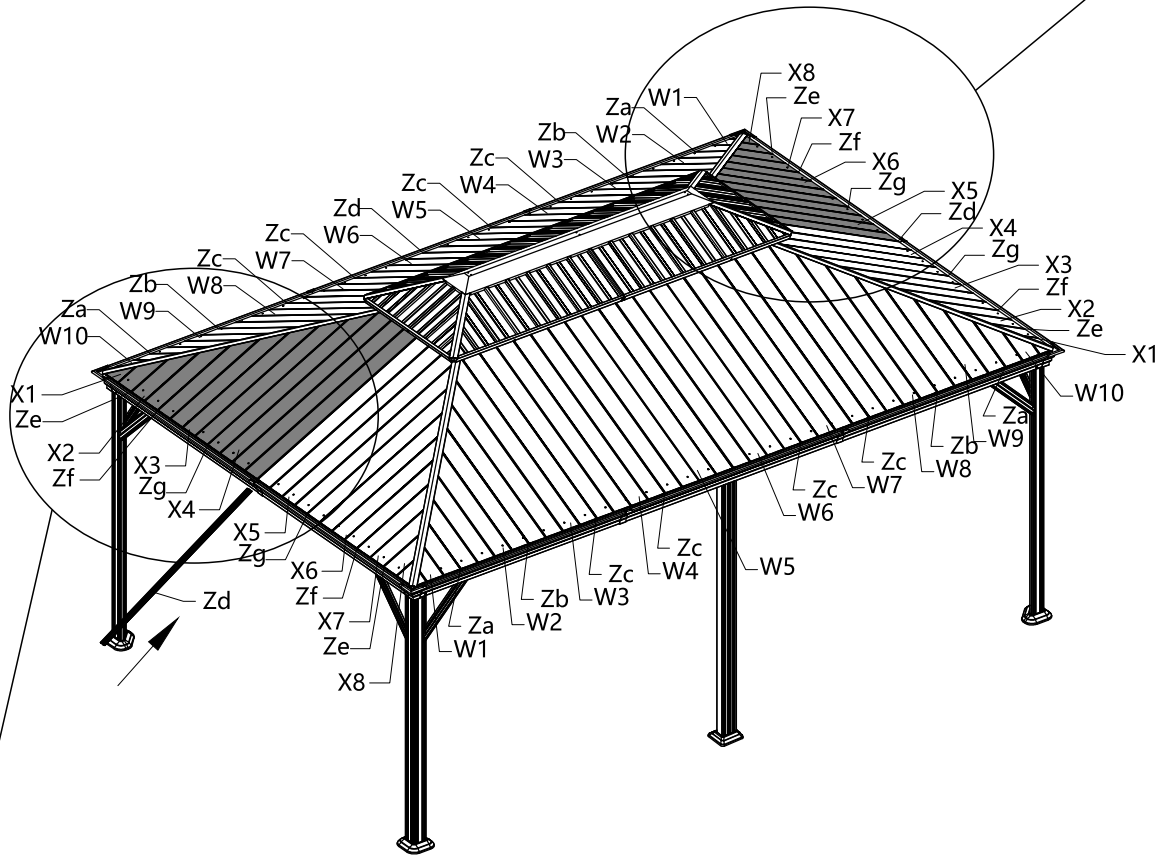
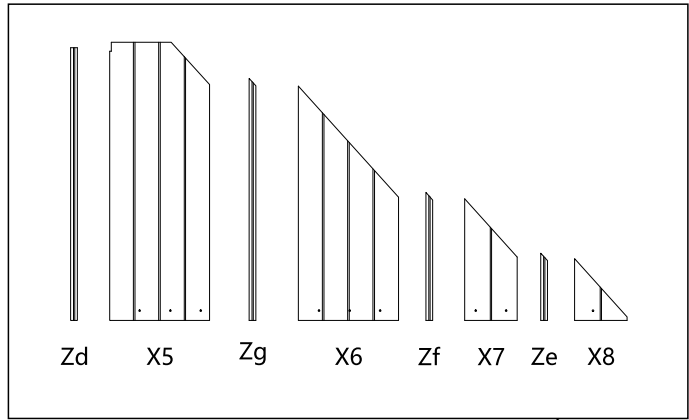
Inside View



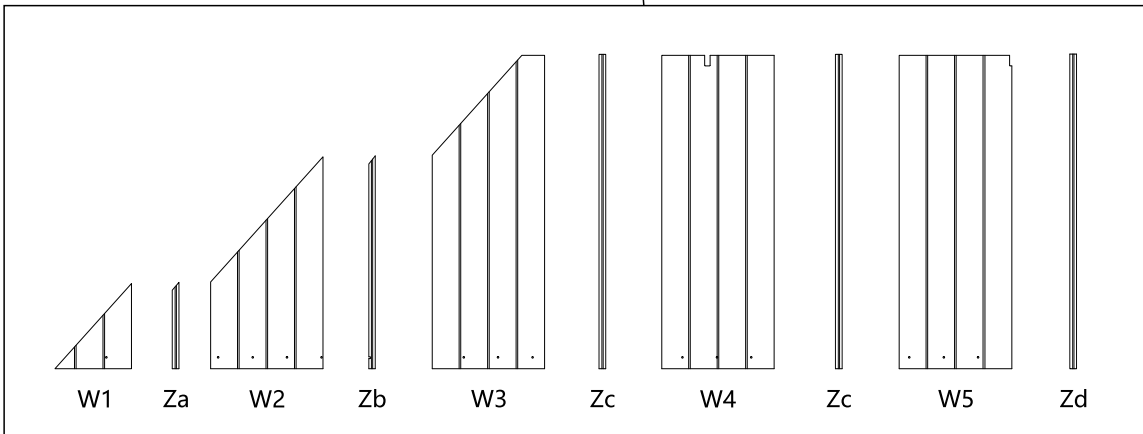
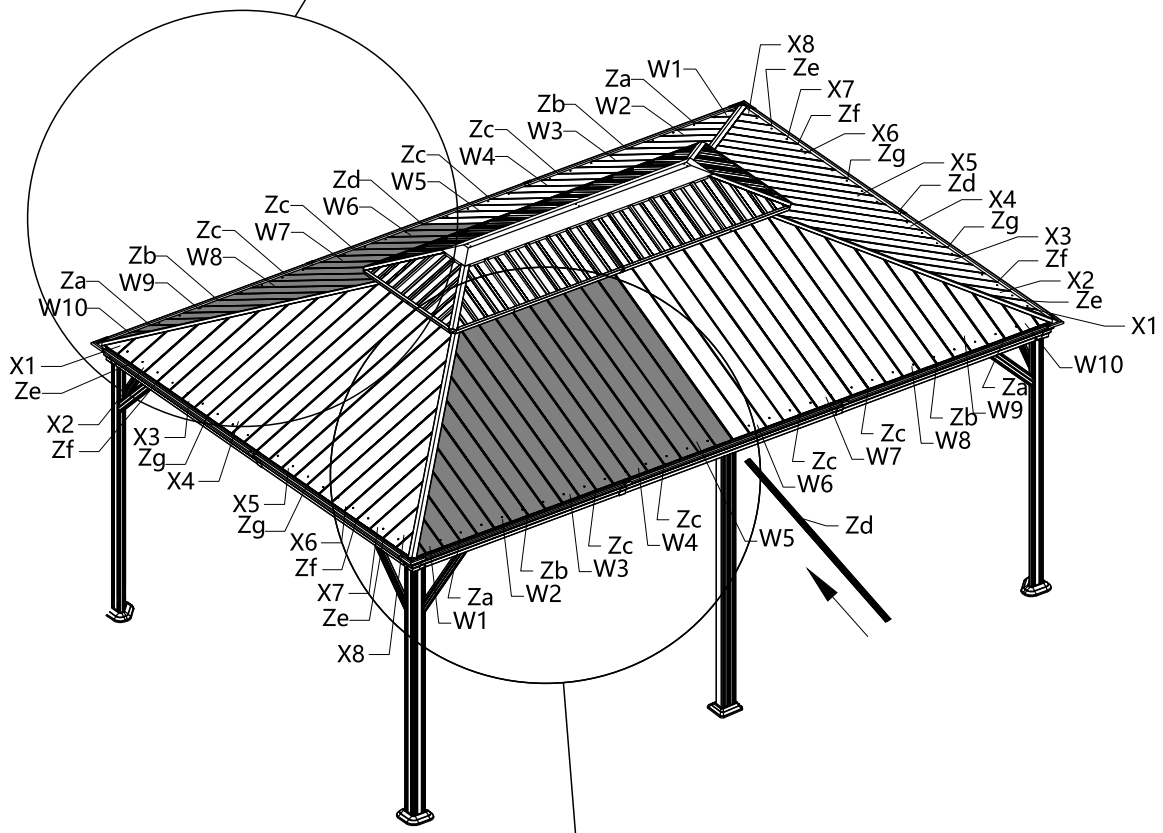
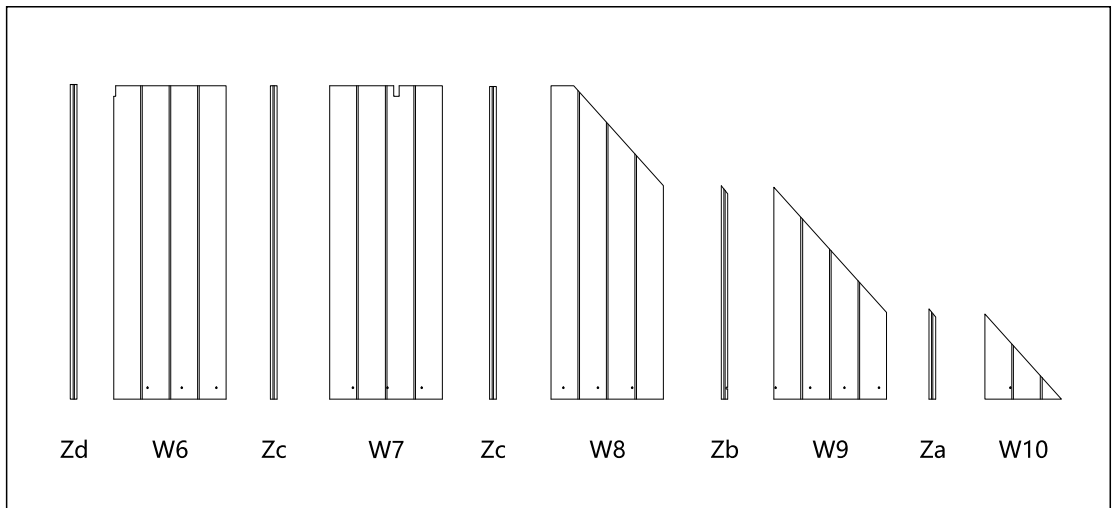


RESIN ROOF ASSEMBLY:

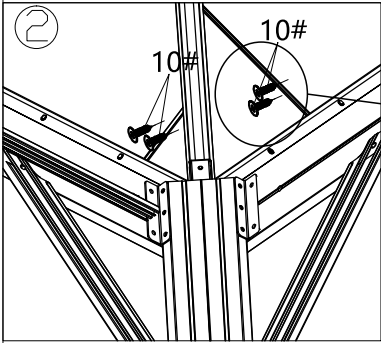
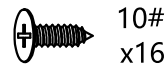
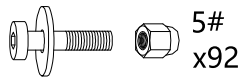




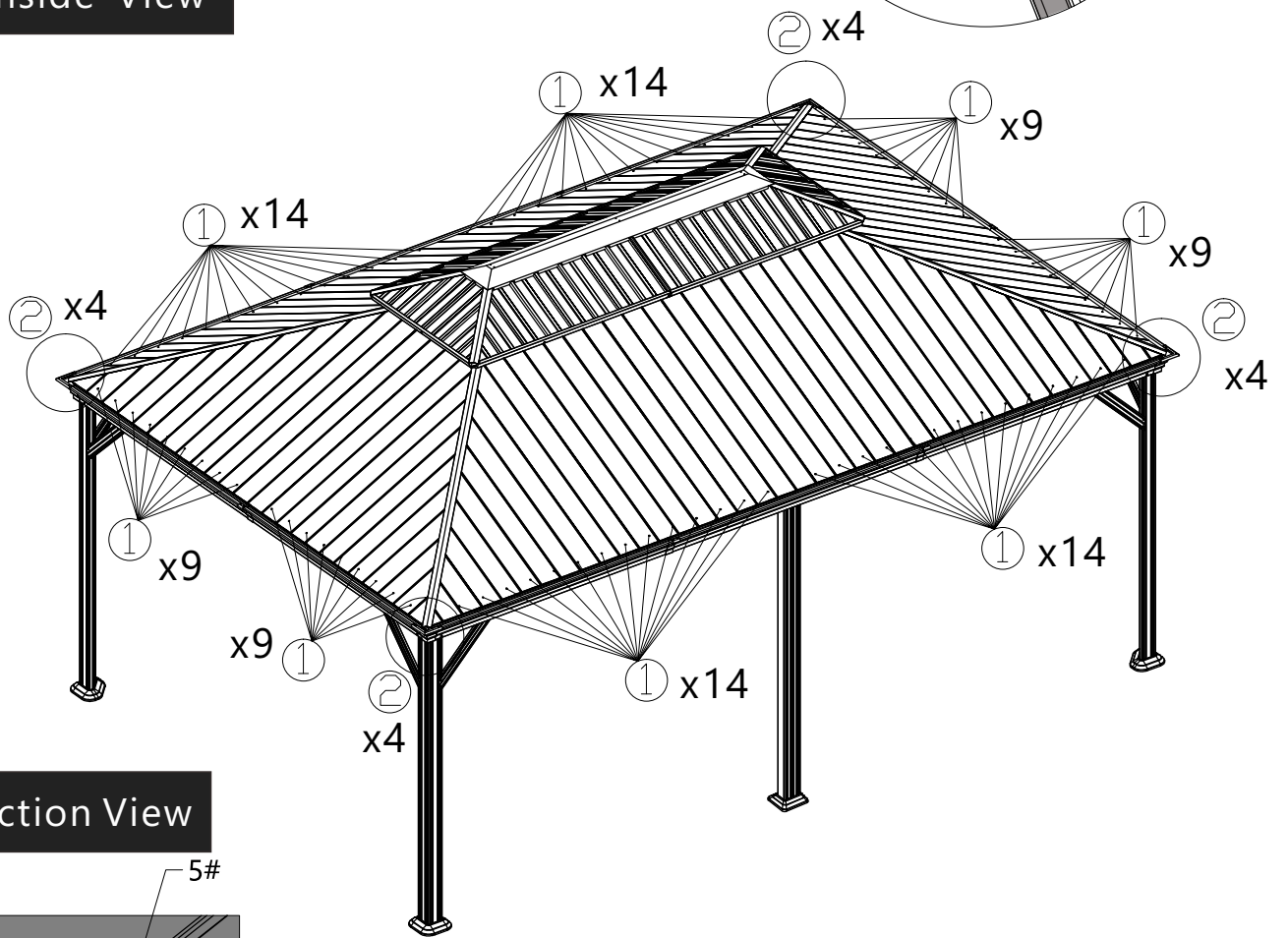
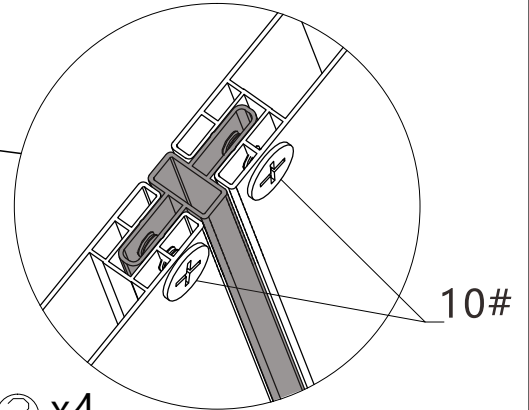
After installing both sides simultaneously, #Zd will be inserted last.
 Repeat the above procedures to assemble the opposite side.



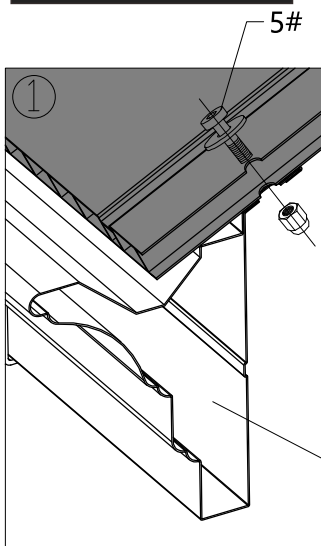
After installing both sides simultaneously, #Zd will be inserted last.
 Repeat the above procedures to assemble the opposite side.



Inside View

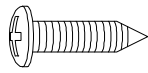


Section View

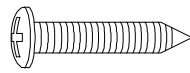


- ①: Use bolts #5 to secure the roof panel to the beam.
 - ②: Use 4 screws #10 to secure the roof panels to the connecting rods #Za/Ze.
- Repeat the above procedures to assemble the other 3 sides.

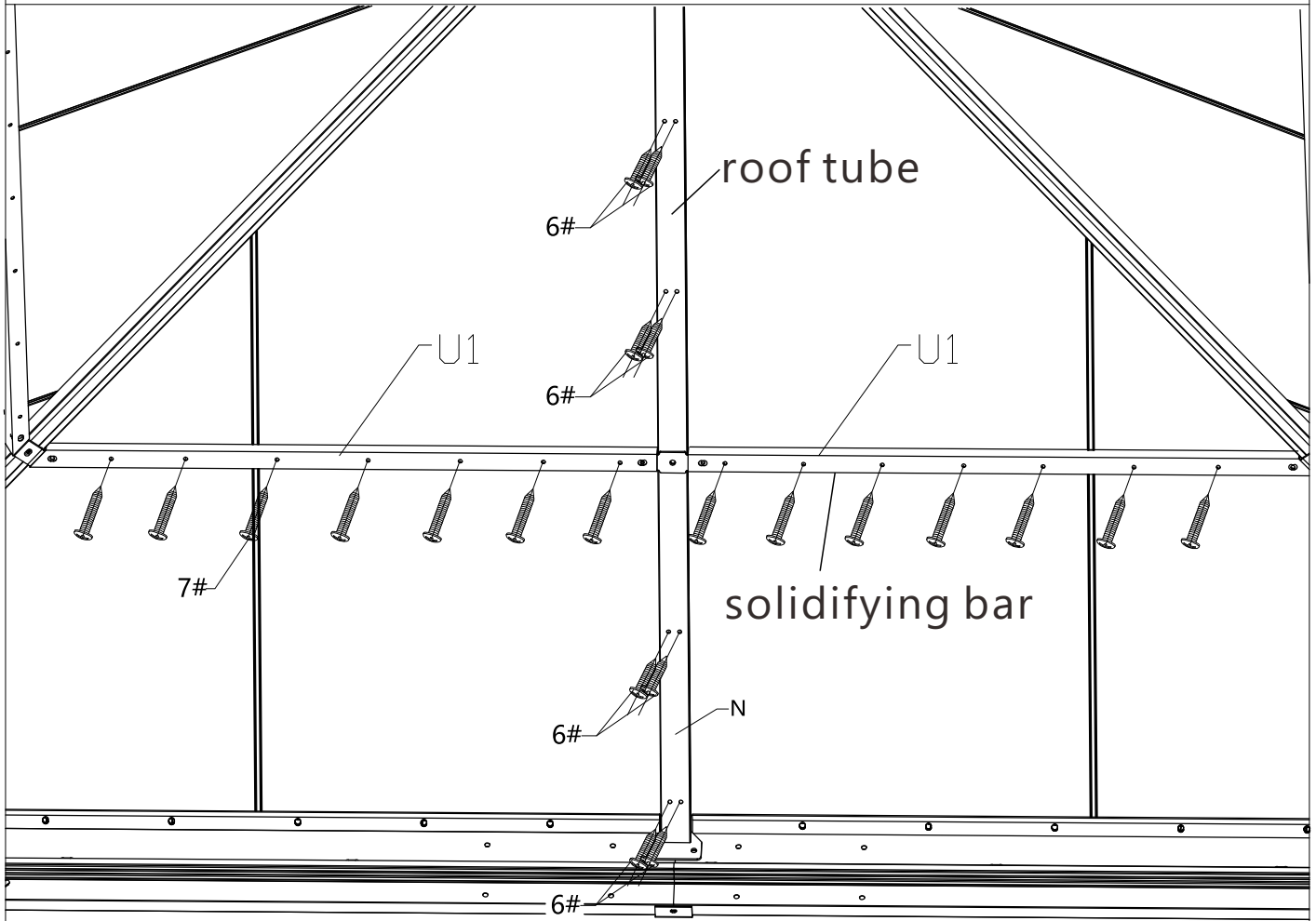
C/C1/C2/C3/C4



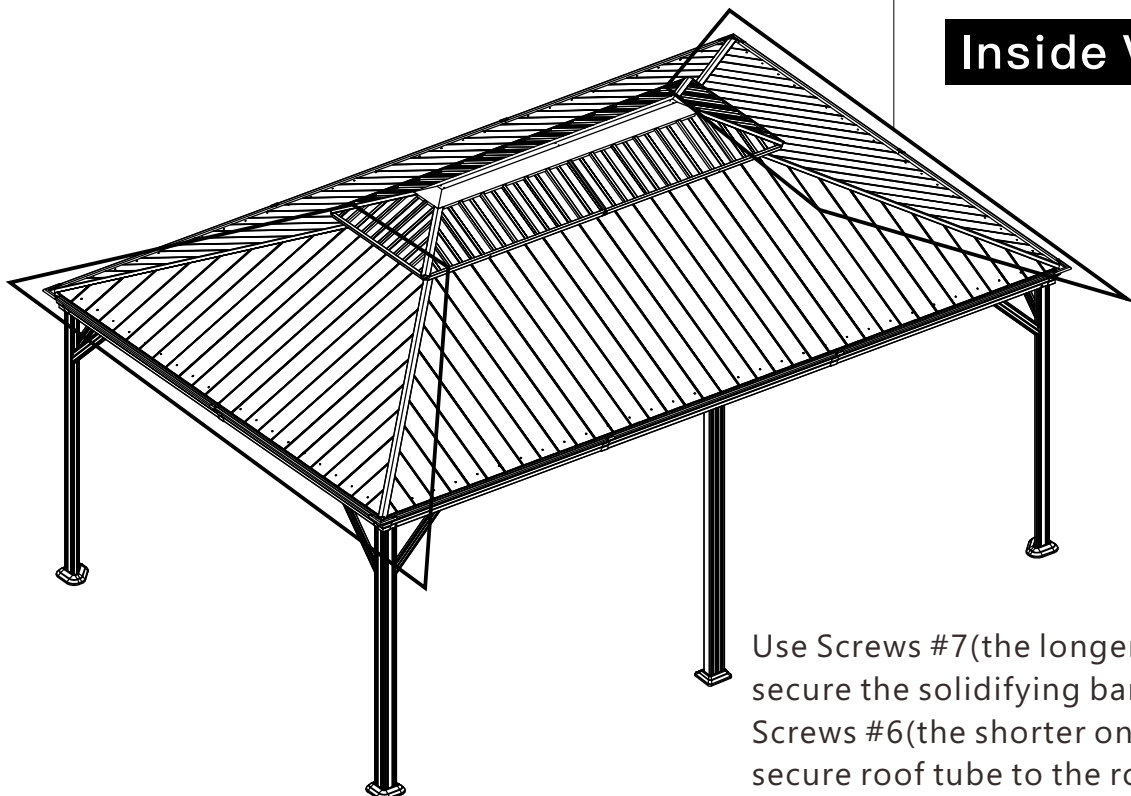
6# x16



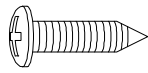
7# x28



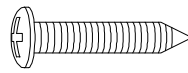
Inside View



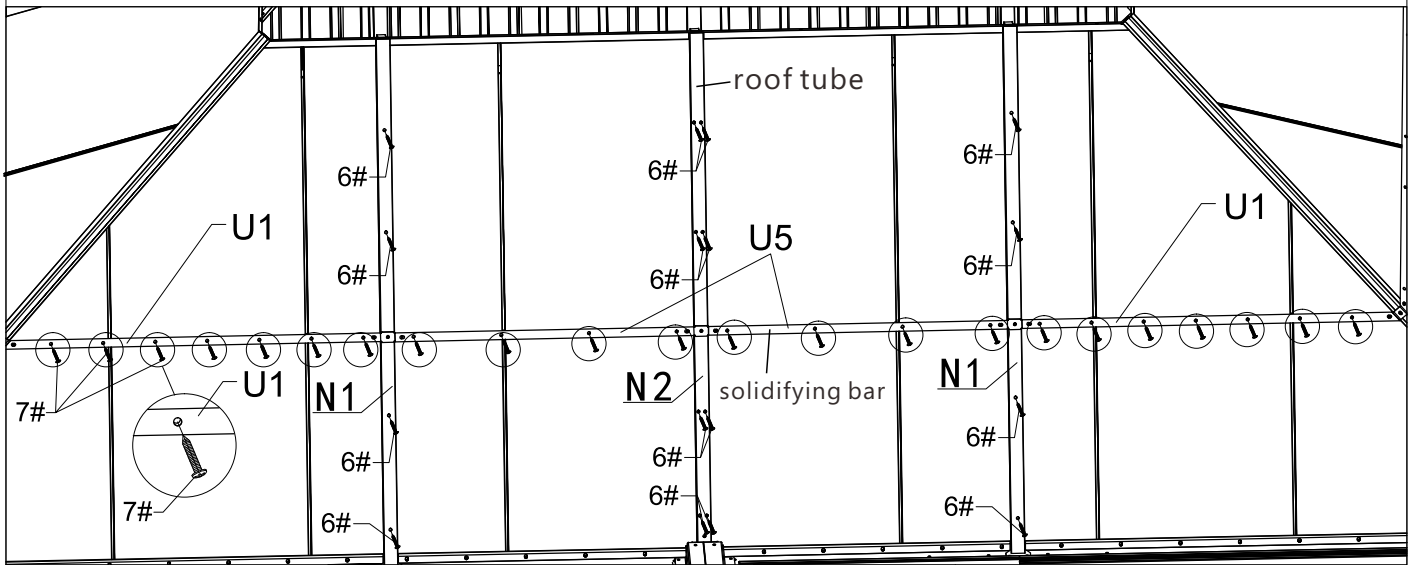
Use Screws #7(the longer one) to secure the solidifying bar and Screws #6(the shorter one) to secure roof tube to the roof panels.



6# x32

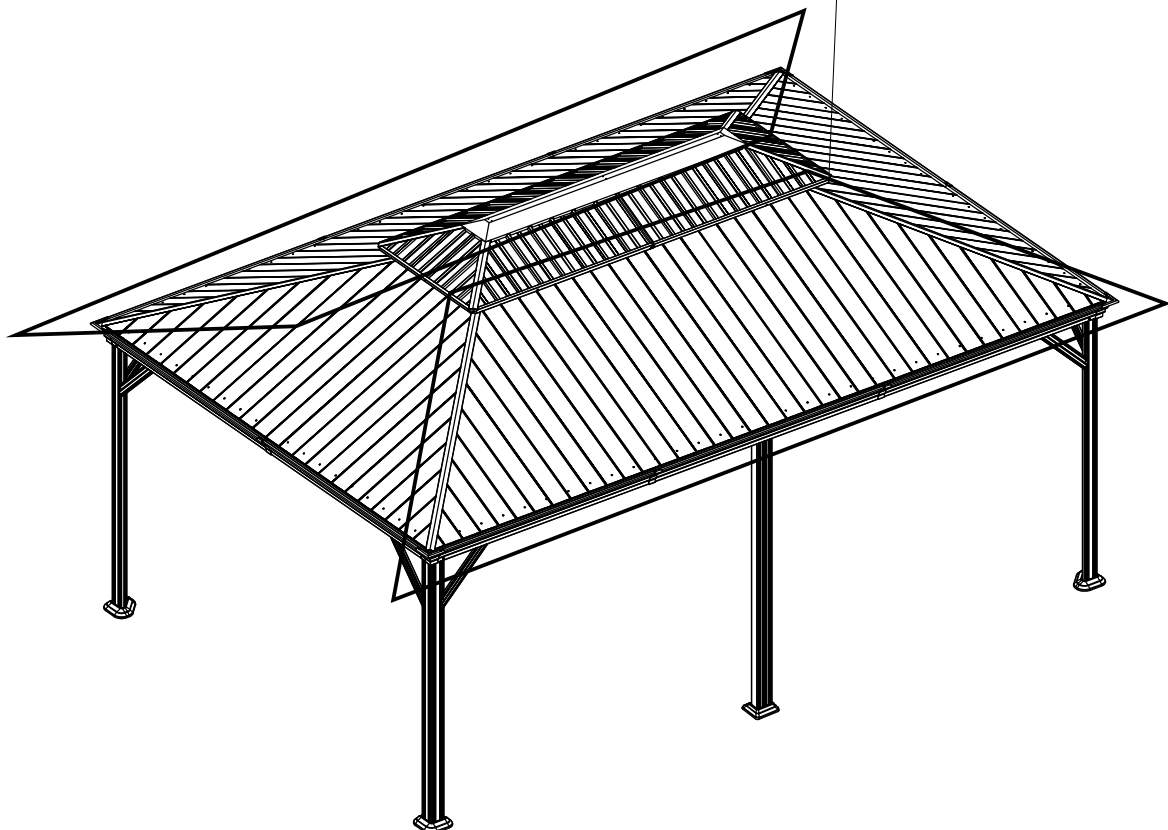


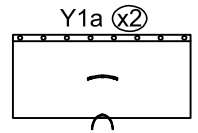
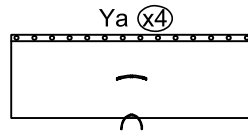
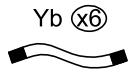
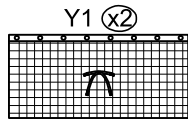
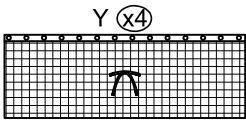
7# x44



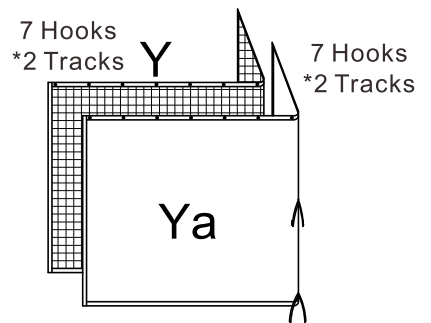
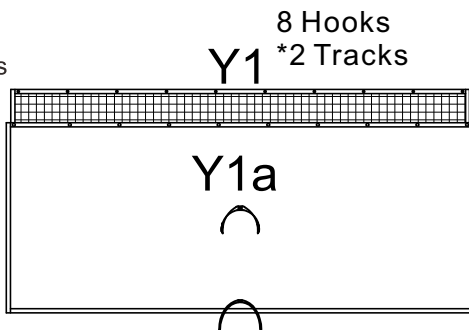
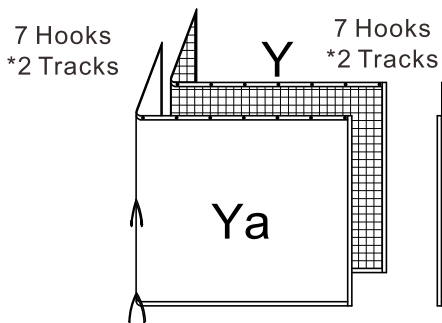
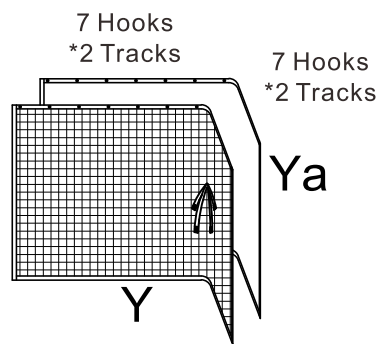
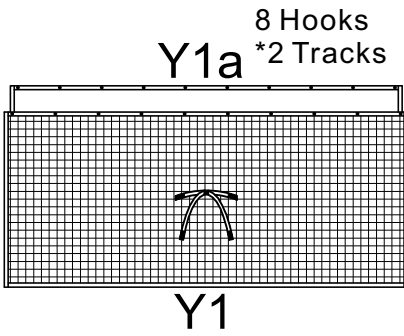
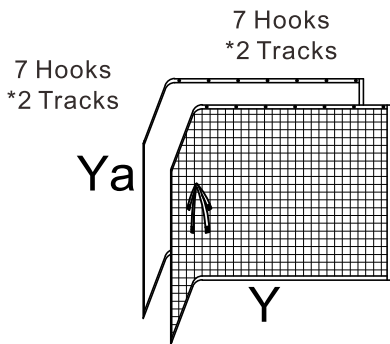
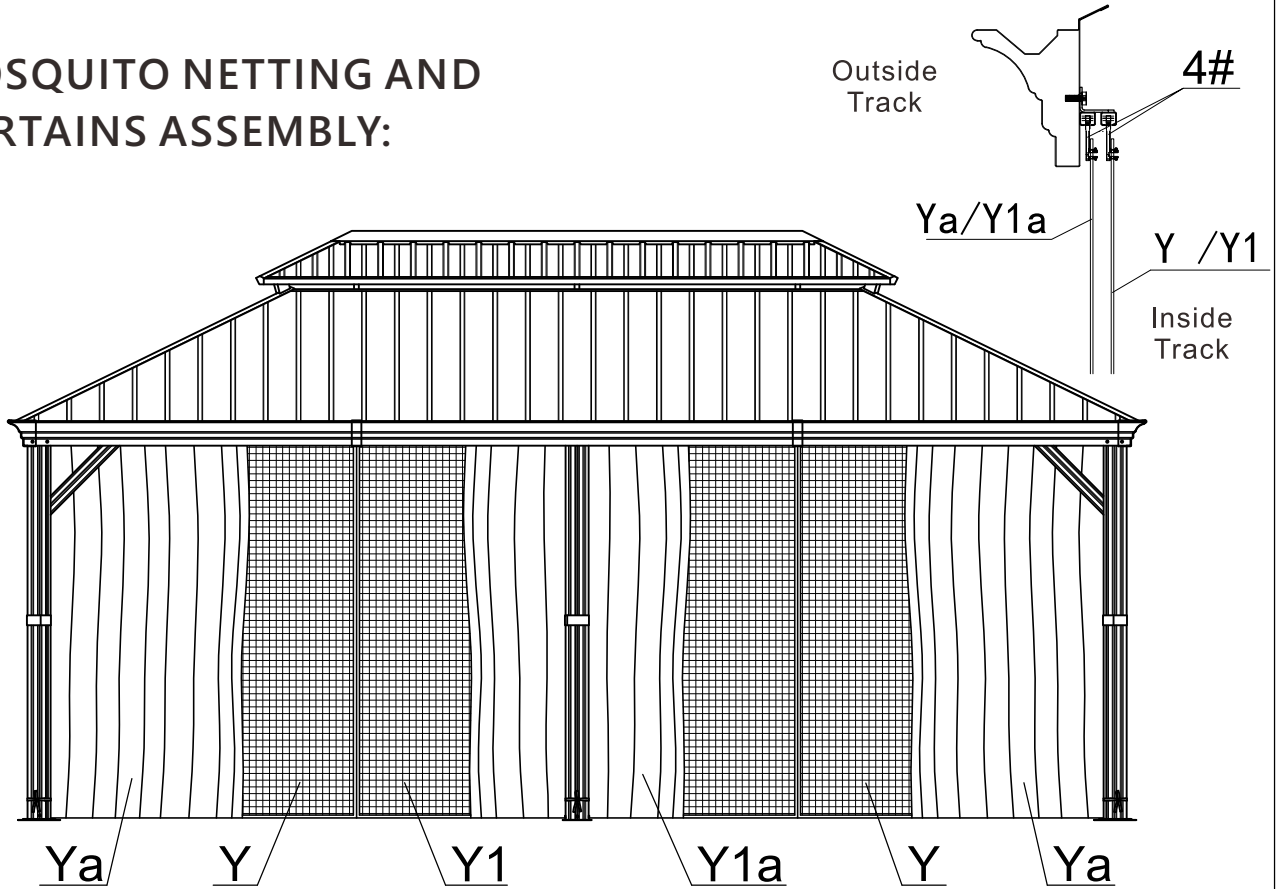
Inside View

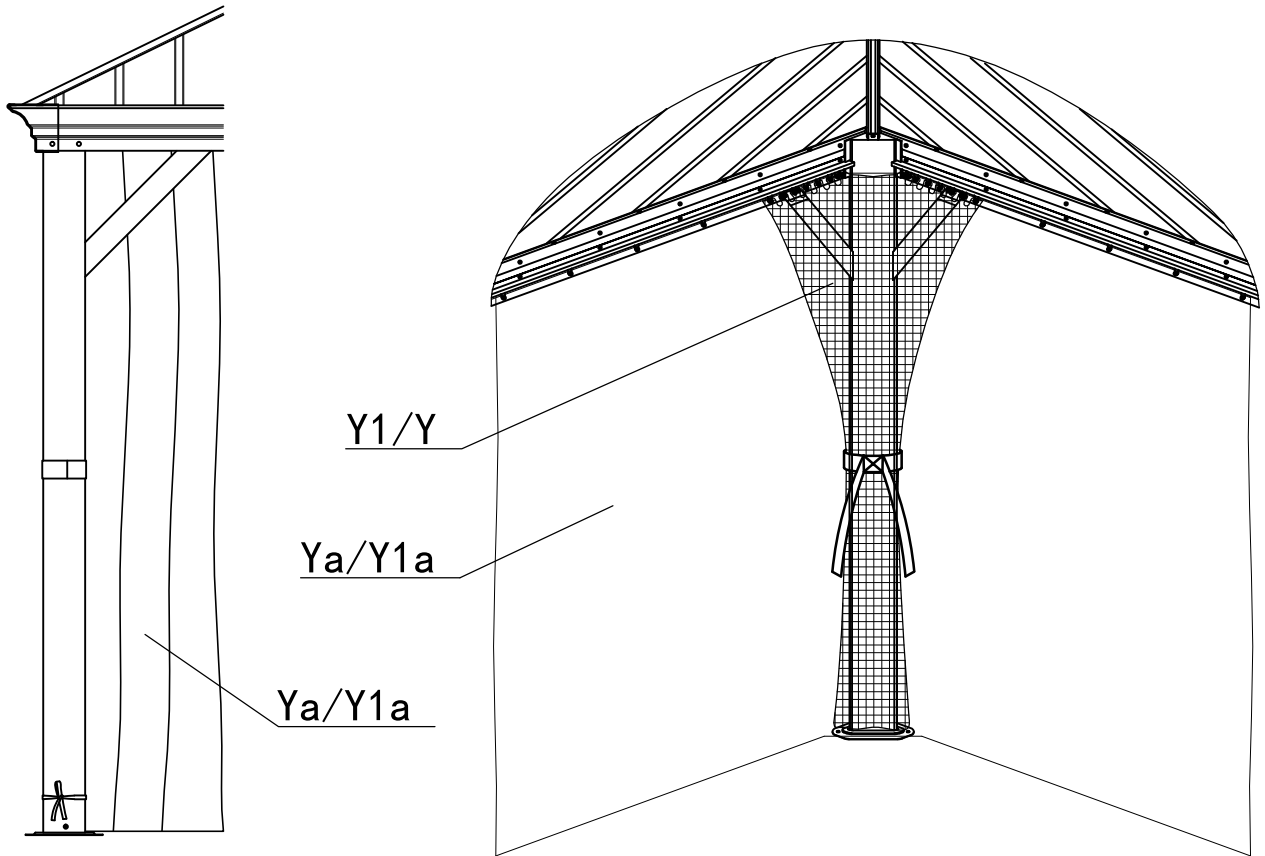
Use Screws #7 (the longer one) to secure the solidifying bar and Screws #6 (the shorter one) to secure roof tube to the roof panels.



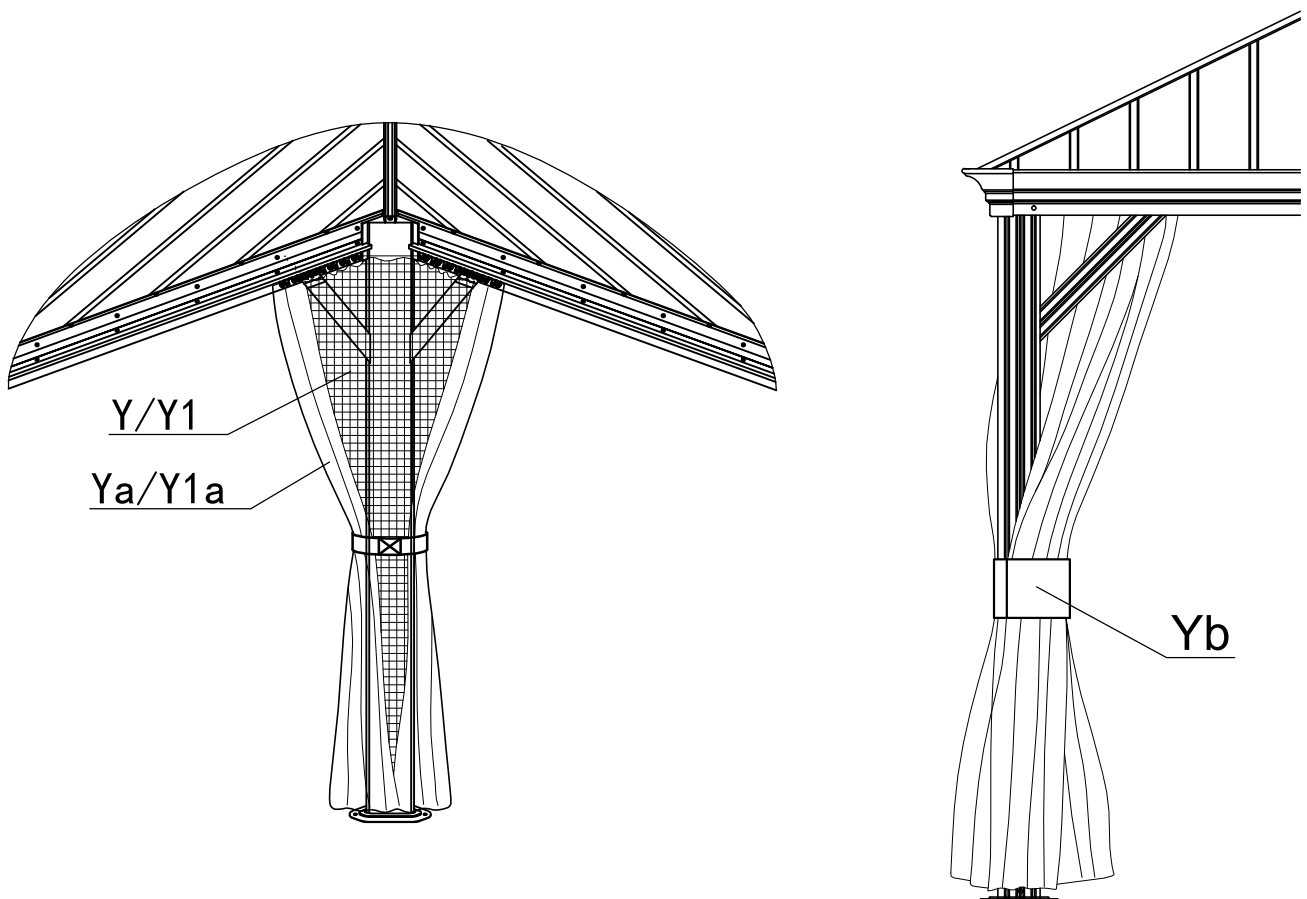


MOSQUITO NETTING AND CURTAINS ASSEMBLY:





Please open your gazebo curtain when it is incoming over 30 mph wind, and tie with Strap #Yb.





Thanks for your purchase.

At domi outdoor living, we believe in our products.

That's why we provide a 12-month warranty and friendly, easy-to-reach after-sales service. So, if you have any questions about our product or assembly, please feel free to contact us. We are here for you.

Support:  

After-sales contact email:

service@domioutdoorliving.com

Business cooperation contact email:

marketing@domioutdoorliving.com

Please have your order ID available if you reach out for support.

If you have damaged parts or product, please send us photos for an immediate response.