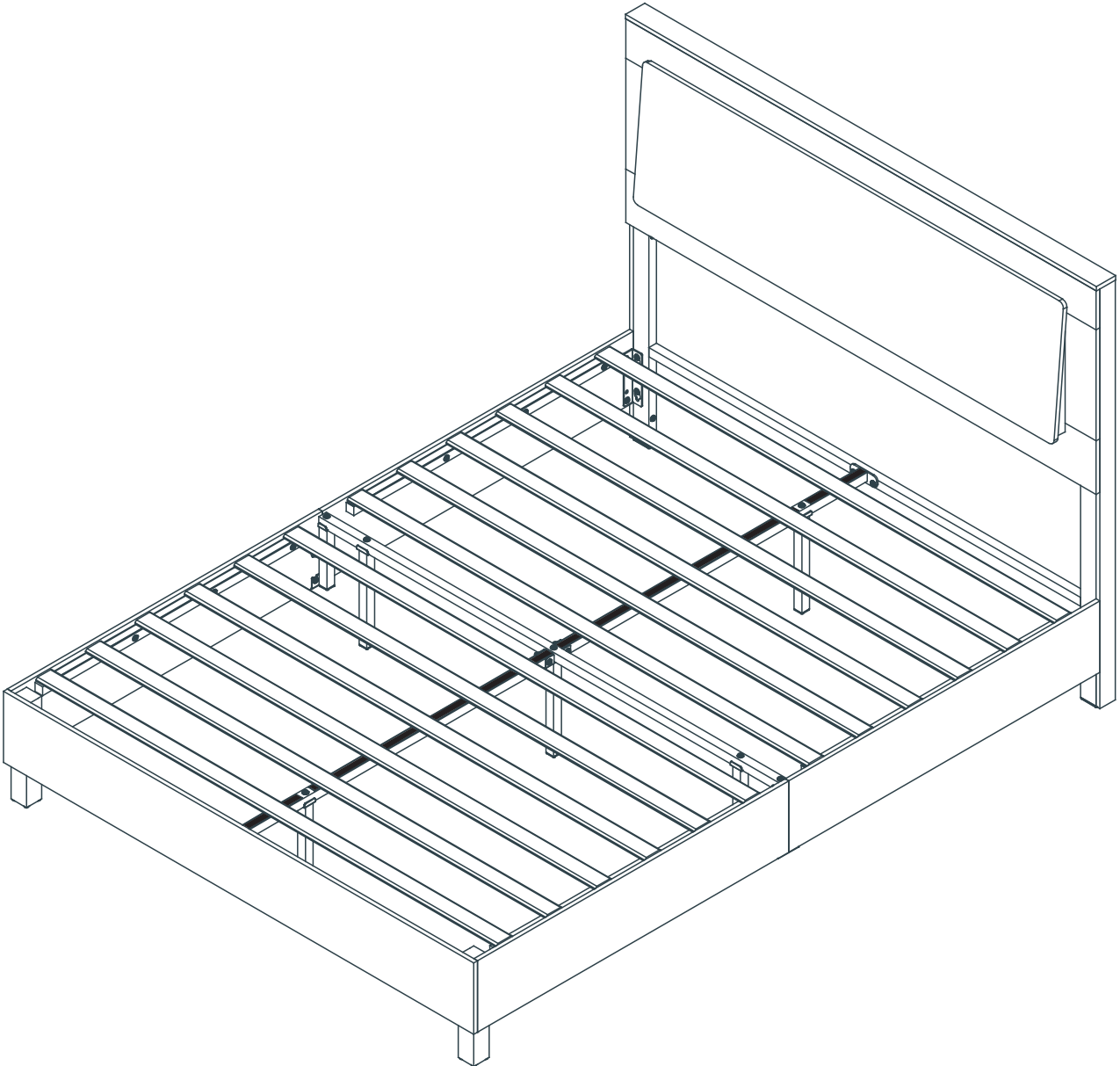


Panel Bed Assembly Instructions

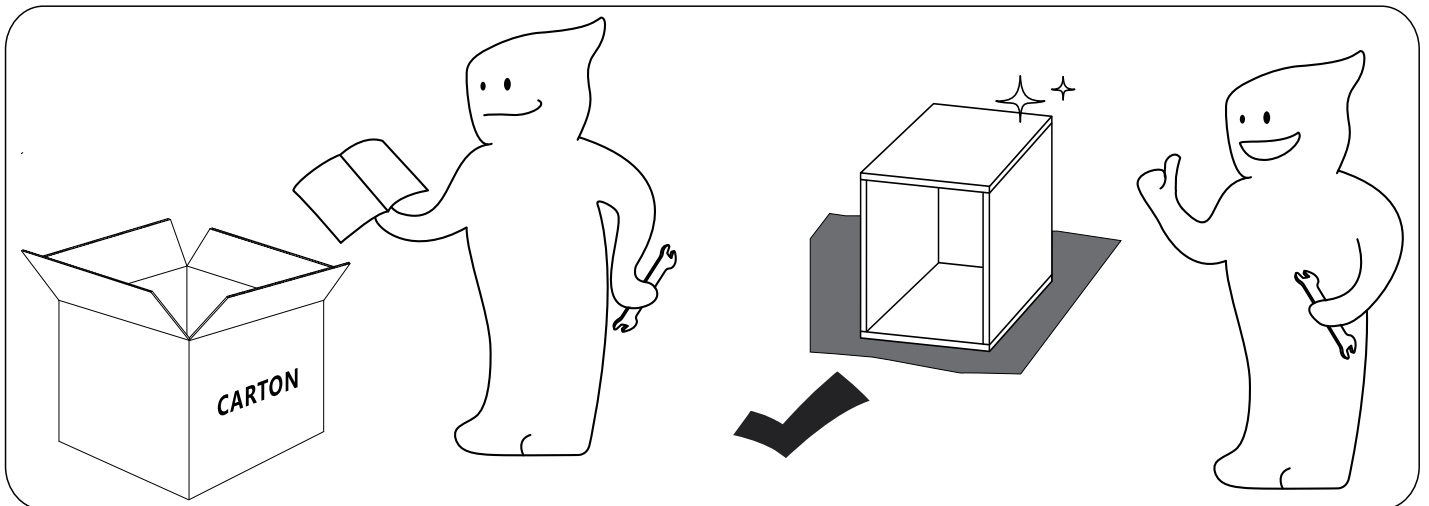
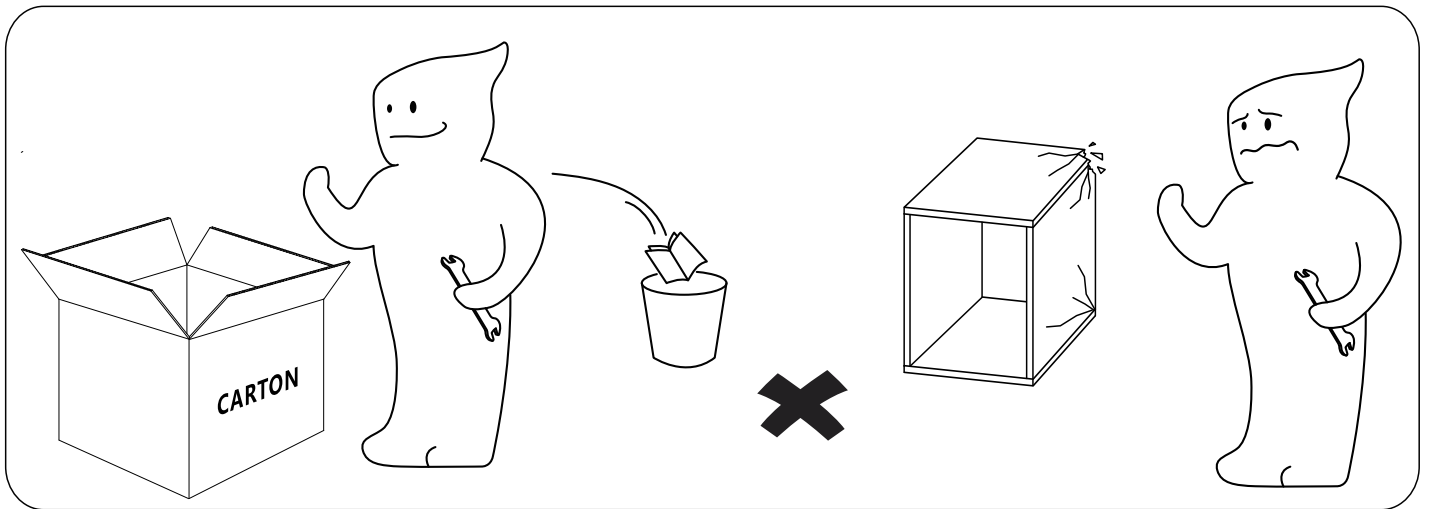


Dear Customers,

Thank you for purchasing our product. Please read this instruction manual carefully after receiving this product. It will help you assemble this product quickly, safely and correctly. You can keep this manual for future reference.

! IMPORTANT

Please follow the instruction manuals and use a pad to protect the product during your assembly.



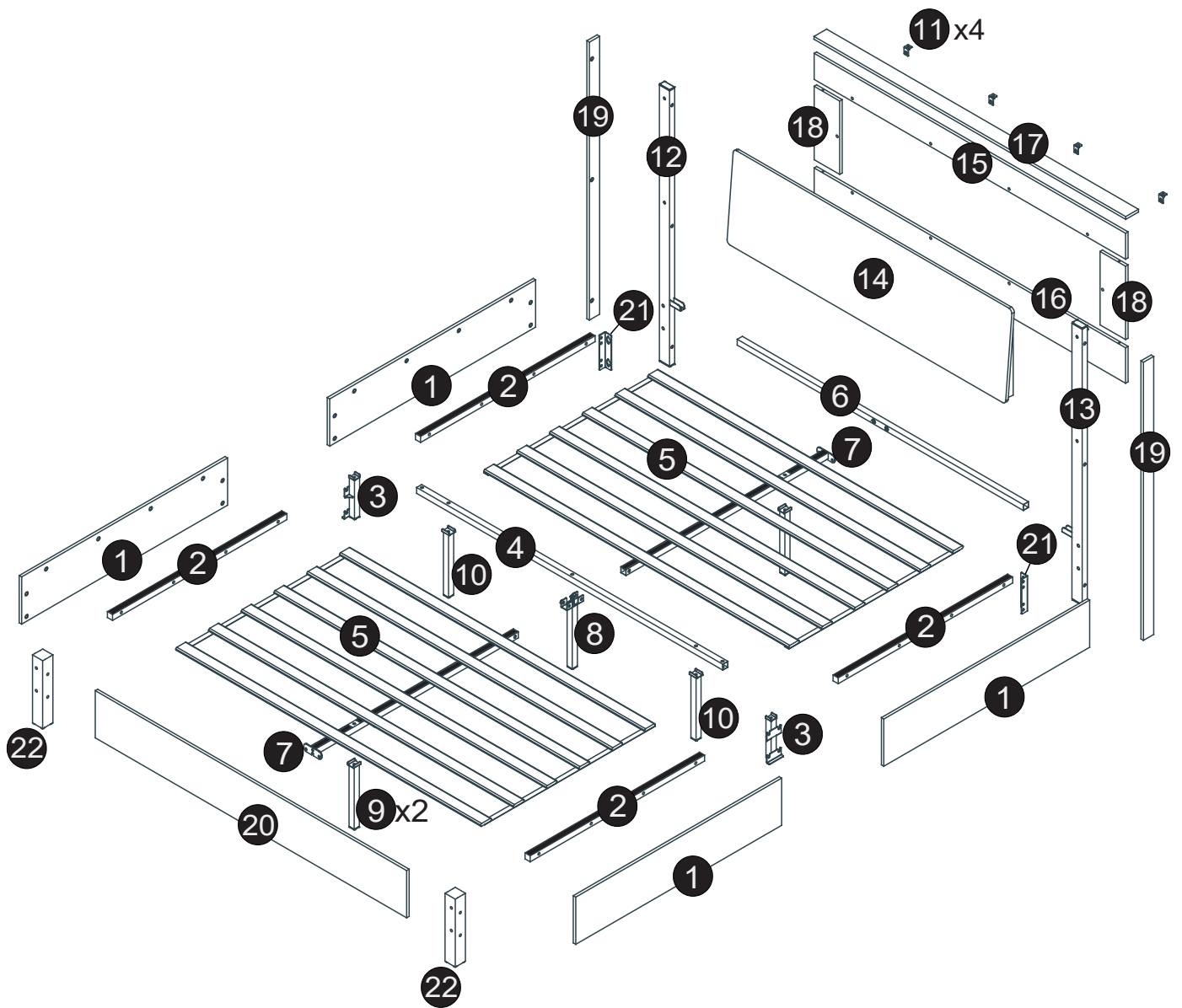
Note:

- 1. Should be assembled on flat ground to keep balance.**
- 2. Before completing the installation, do not tighten the screws.**

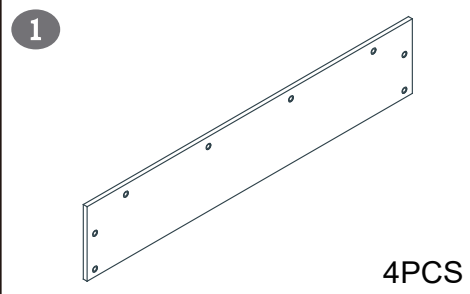

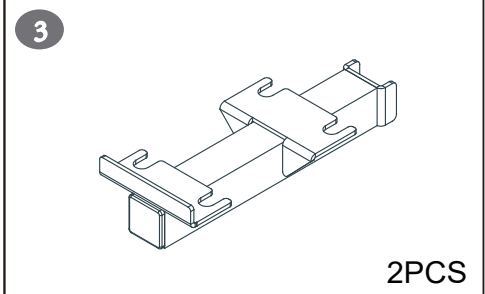
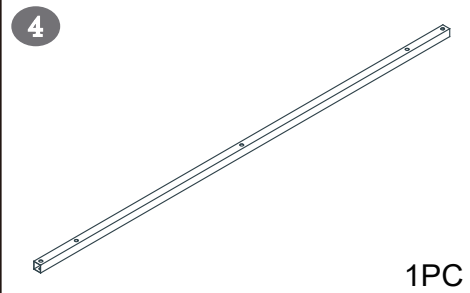
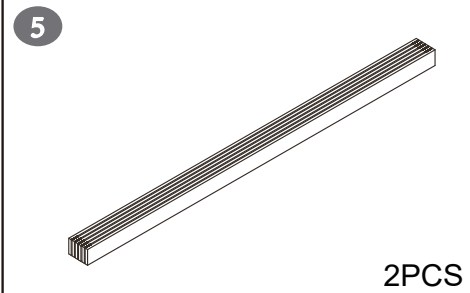
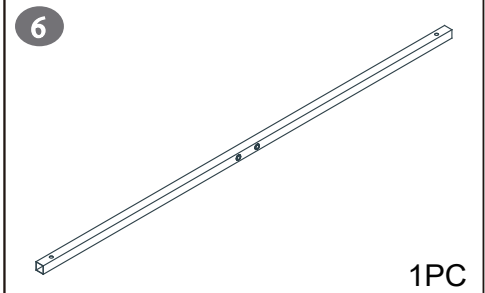

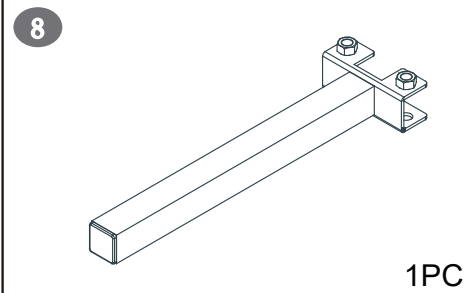
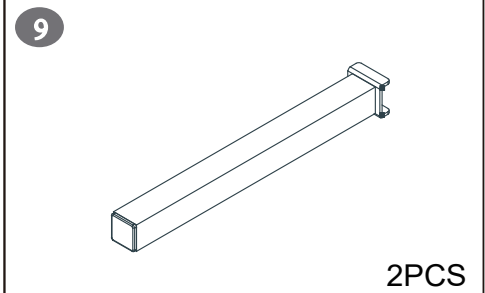
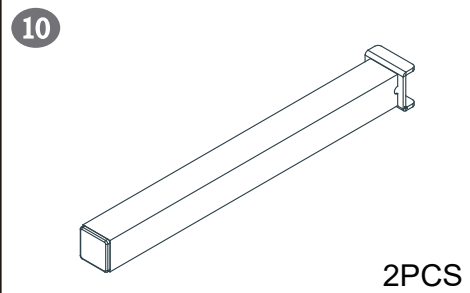
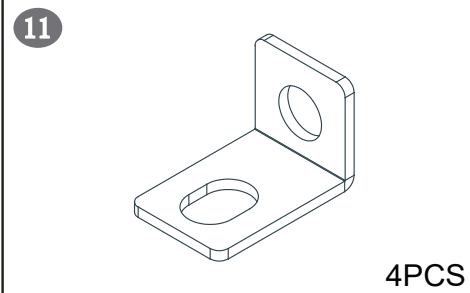
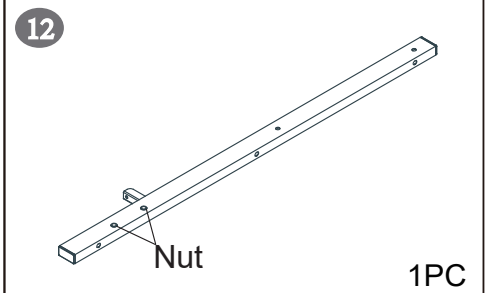
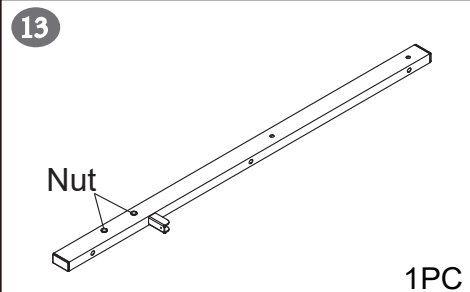
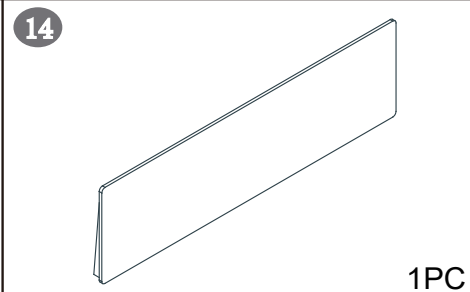
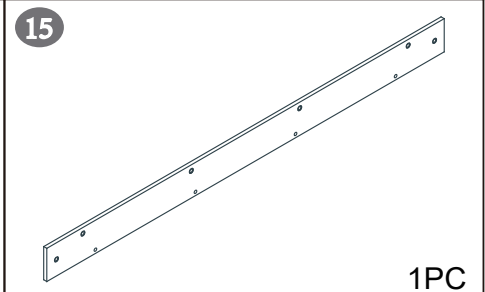
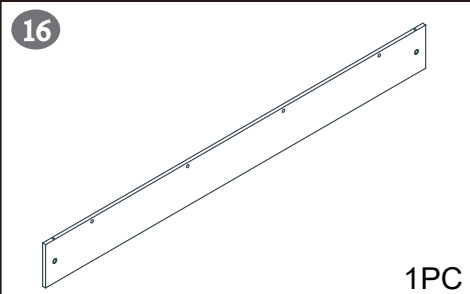
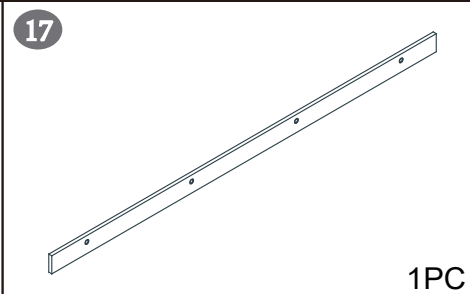
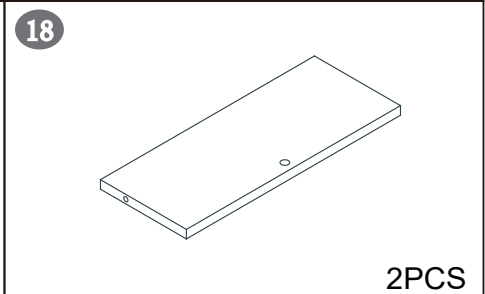


For easier and better assembly, **2** or more adults are required.

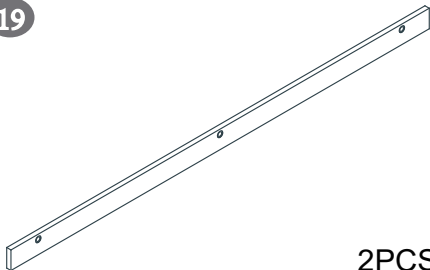
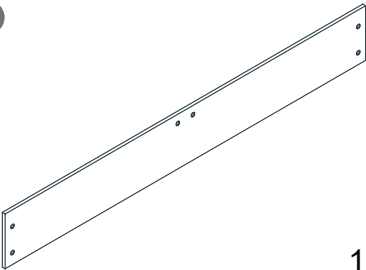
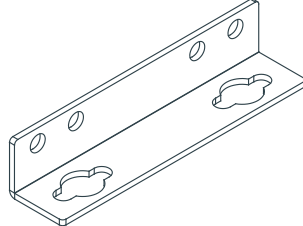
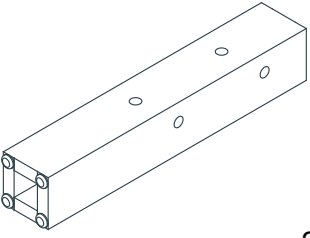


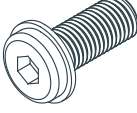
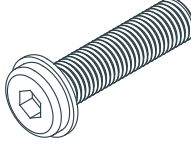
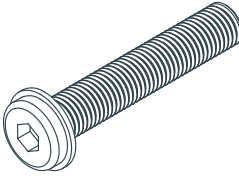
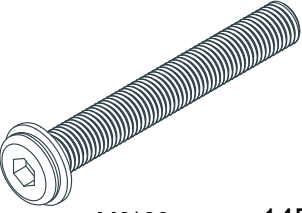
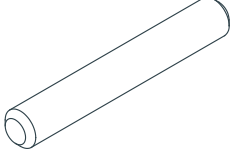
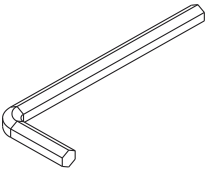

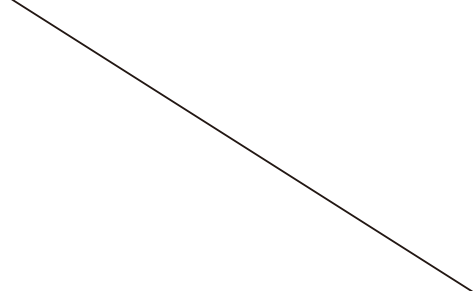
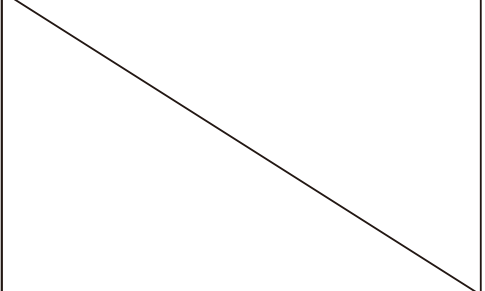
ASSEMBLY INSTRUCTIONS



ASSEMBLY INSTRUCTIONS

 <p>1</p> <p>4PCS</p>	 <p>2</p> <p>4PCS</p>	 <p>3</p> <p>2PCS</p>
 <p>4</p> <p>1PC</p>	 <p>5</p> <p>2PCS</p>	 <p>6</p> <p>1PC</p>
 <p>7</p> <p>2PCS</p>	 <p>8</p> <p>1PC</p>	 <p>9</p> <p>2PCS</p>
 <p>10</p> <p>2PCS</p>	 <p>11</p> <p>4PCS</p>	 <p>12</p> <p>Nut</p> <p>1PC</p>
 <p>13</p> <p>Nut</p> <p>1PC</p>	 <p>14</p> <p>1PC</p>	 <p>15</p> <p>1PC</p>
 <p>16</p> <p>1PC</p>	 <p>17</p> <p>1PC</p>	 <p>18</p> <p>2PCS</p>

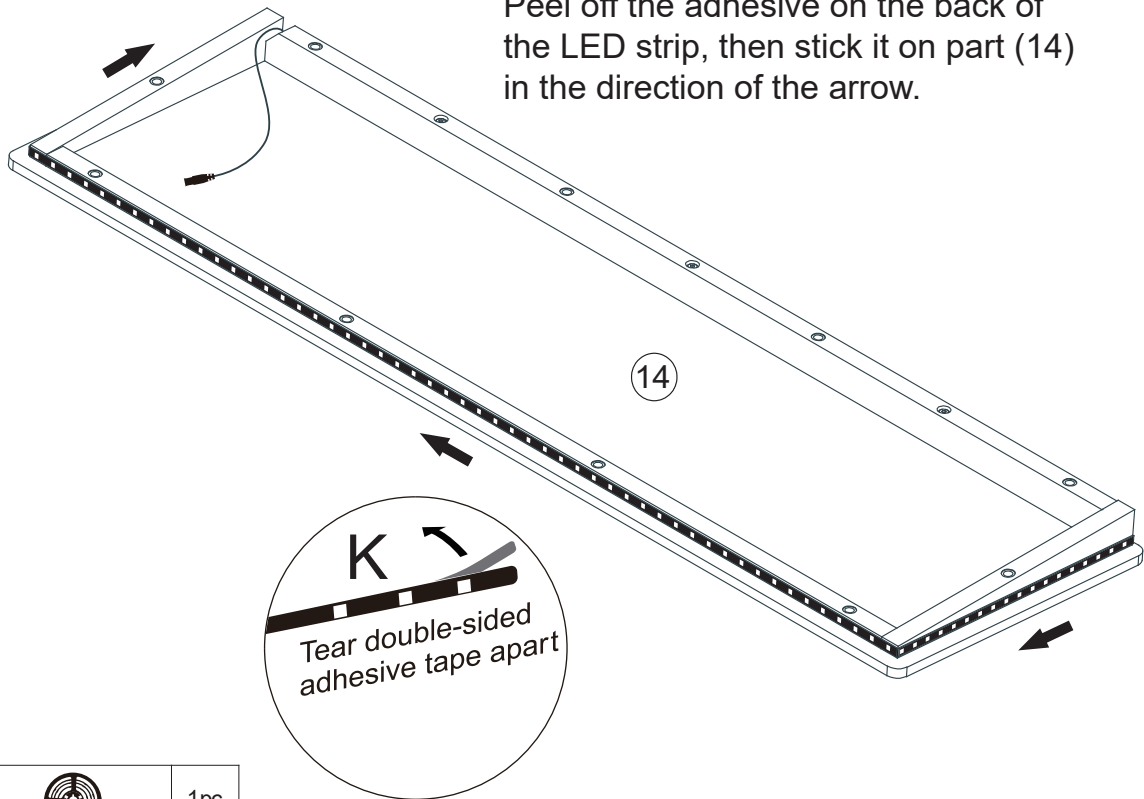
ASSEMBLY INSTRUCTIONS

<p>19</p>  <p>2PCS</p>	<p>20</p>  <p>1PC</p>	<p>21</p>  <p>2PCS</p>
<p>22</p>  <p>2PCS</p>	<p>A</p>  <p>M8*12 22PCS</p>	<p>B</p>  <p>white zinc M8*14 2PCS</p>
<p>C</p>  <p>M8*20 12PCS</p>	<p>D</p>  <p>M8*33 30PCS</p>	<p>E</p>  <p>M8*45 3PCS</p>
<p>F</p>  <p>M8*60 14PCS</p>	<p>G</p>  <p>φ6*40 4PCS</p>	<p>H</p>  <p>5*5 1PC</p>
<p>K</p>  <p>1PC</p>		

ASSEMBLY INSTRUCTIONS

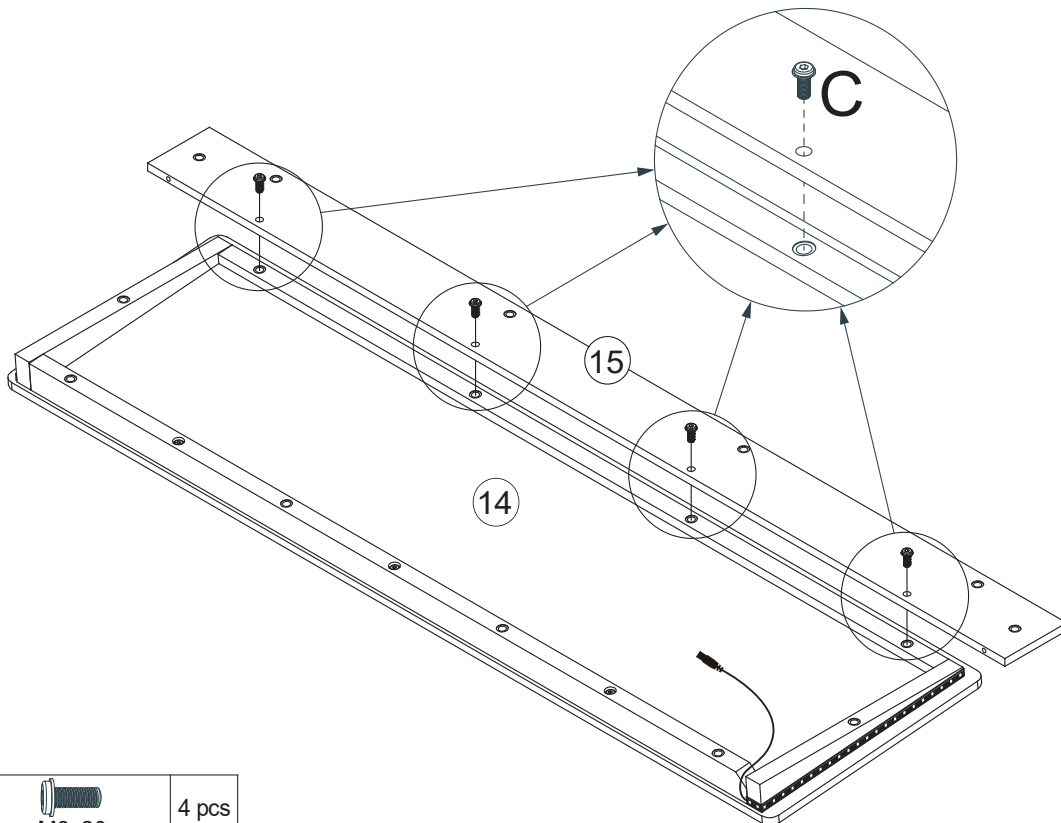
1


Peel off the adhesive on the back of the LED strip, then stick it on part (14) in the direction of the arrow.



K		1pc
---	---	-----

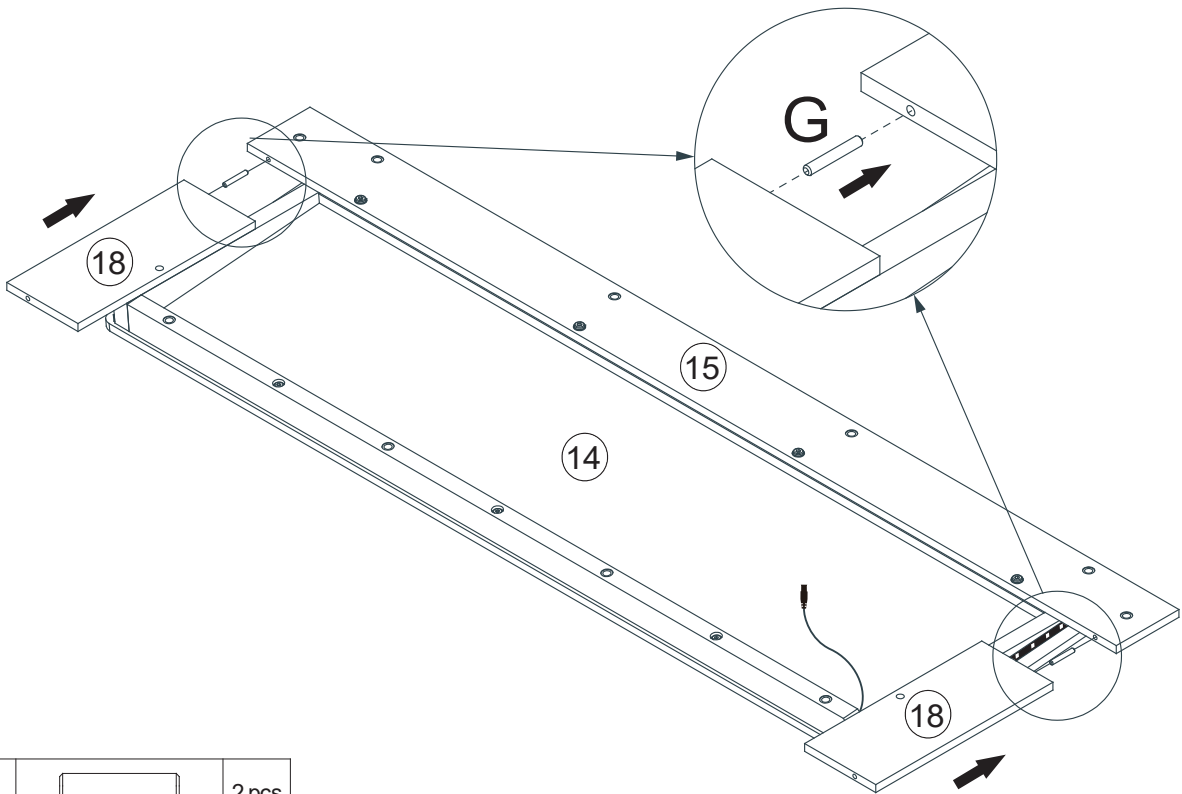
2

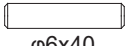


C		4 pcs
---	---	-------

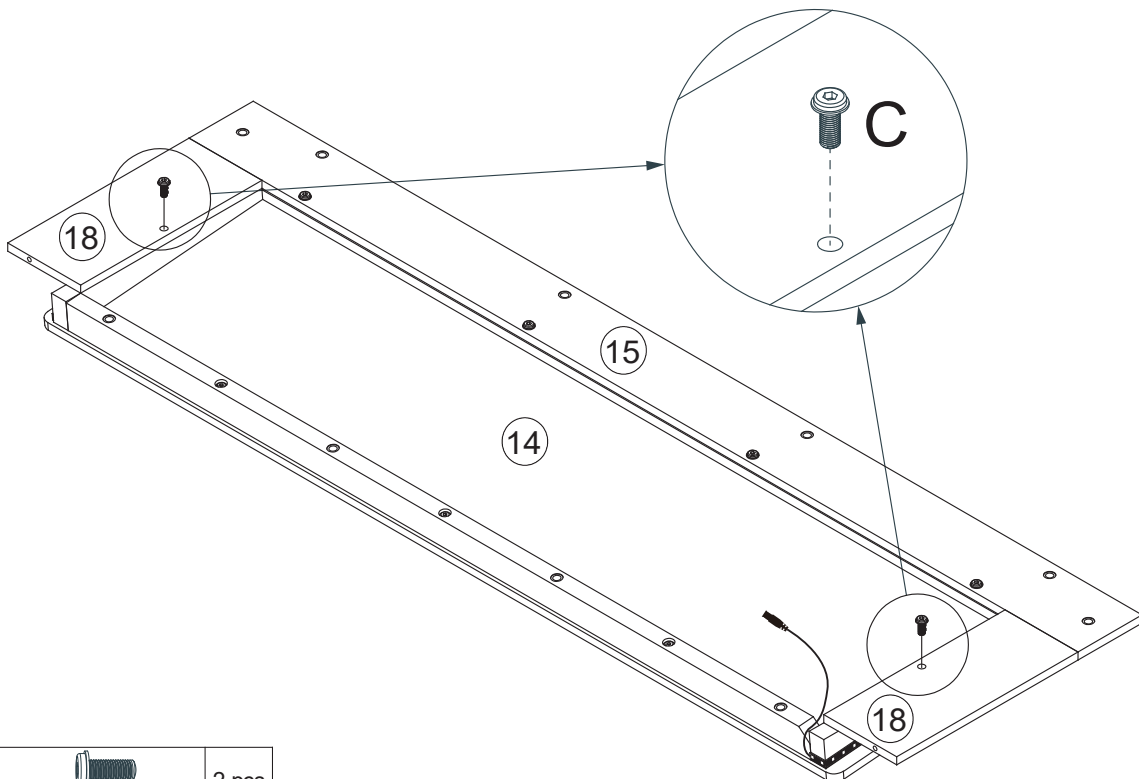
ASSEMBLY INSTRUCTIONS

3



G		2 pcs
	$\phi 6 \times 40$	

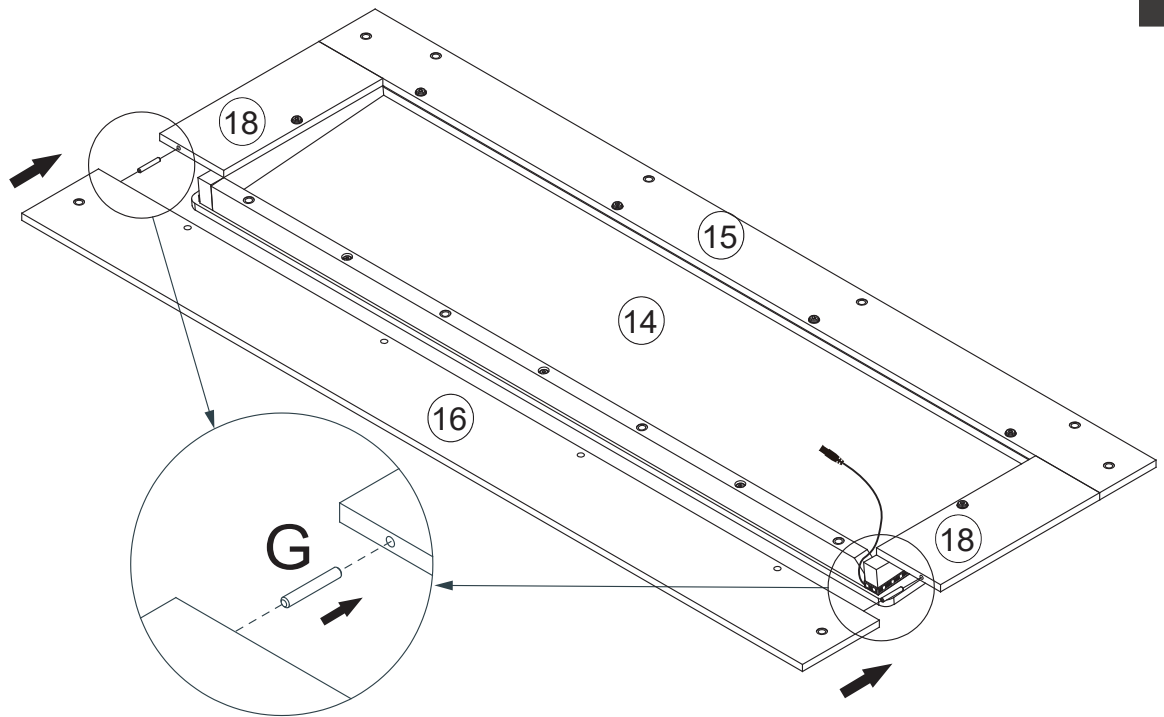
4

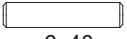


C		2 pcs
	M8x20	

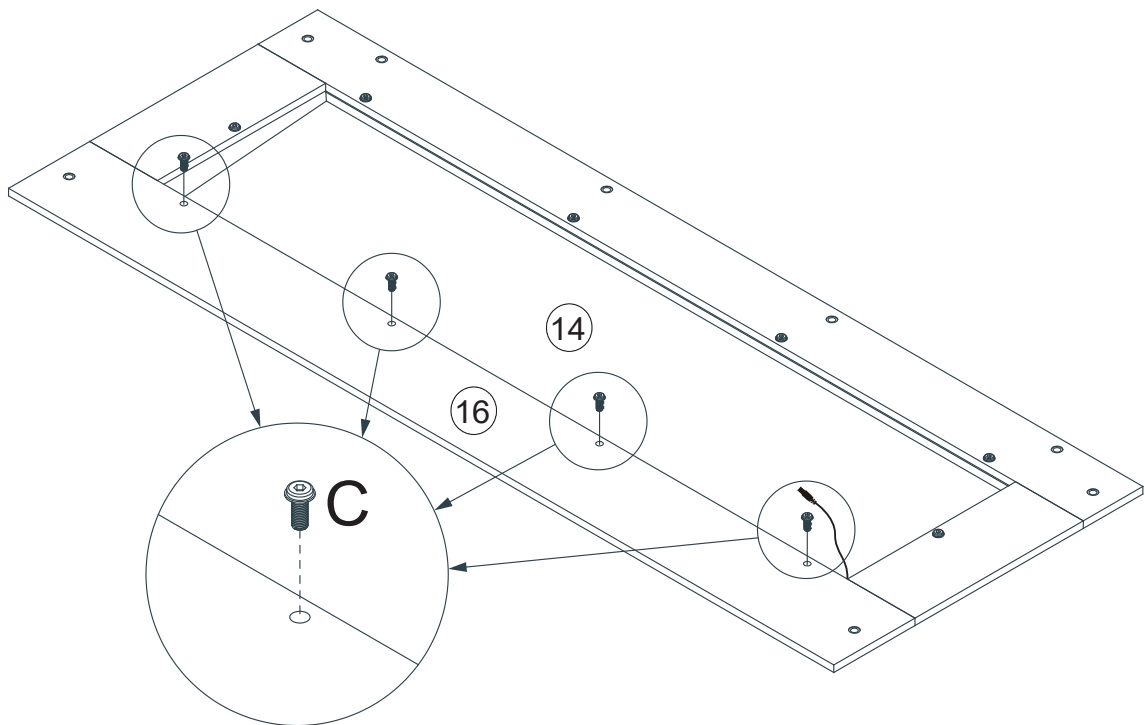
ASSEMBLY INSTRUCTIONS

5



G		2 pcs
	$\varnothing 6 \times 40$	

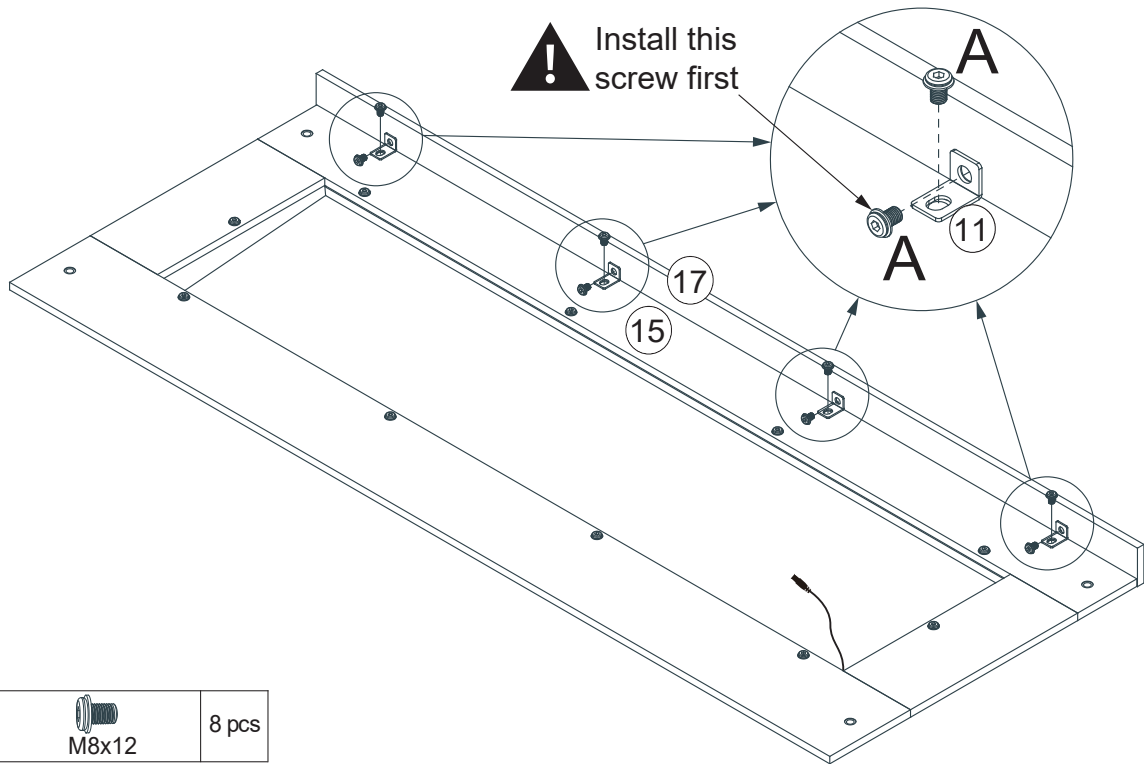
6



C		4 pcs
	M8x20	

ASSEMBLY INSTRUCTIONS

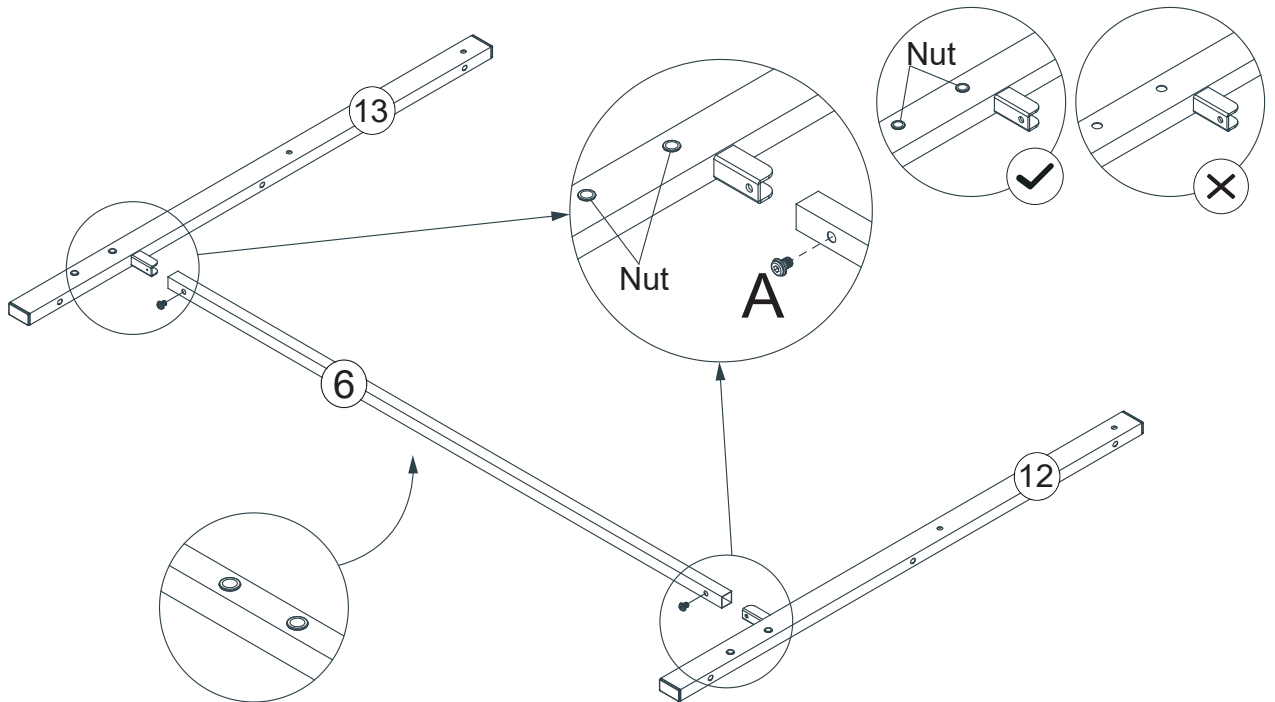
7



A		8 pcs
---	---	-------

M8x12

8

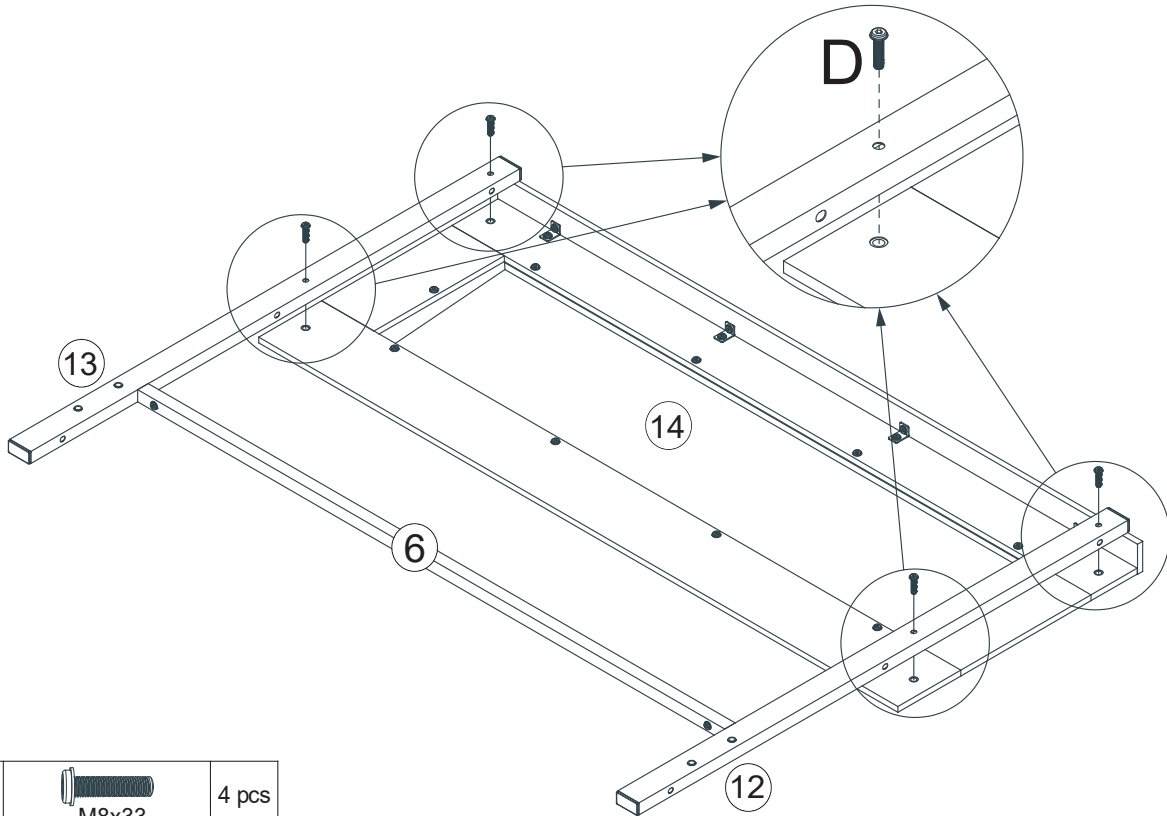


A		2 pcs
---	---	-------

M8x12

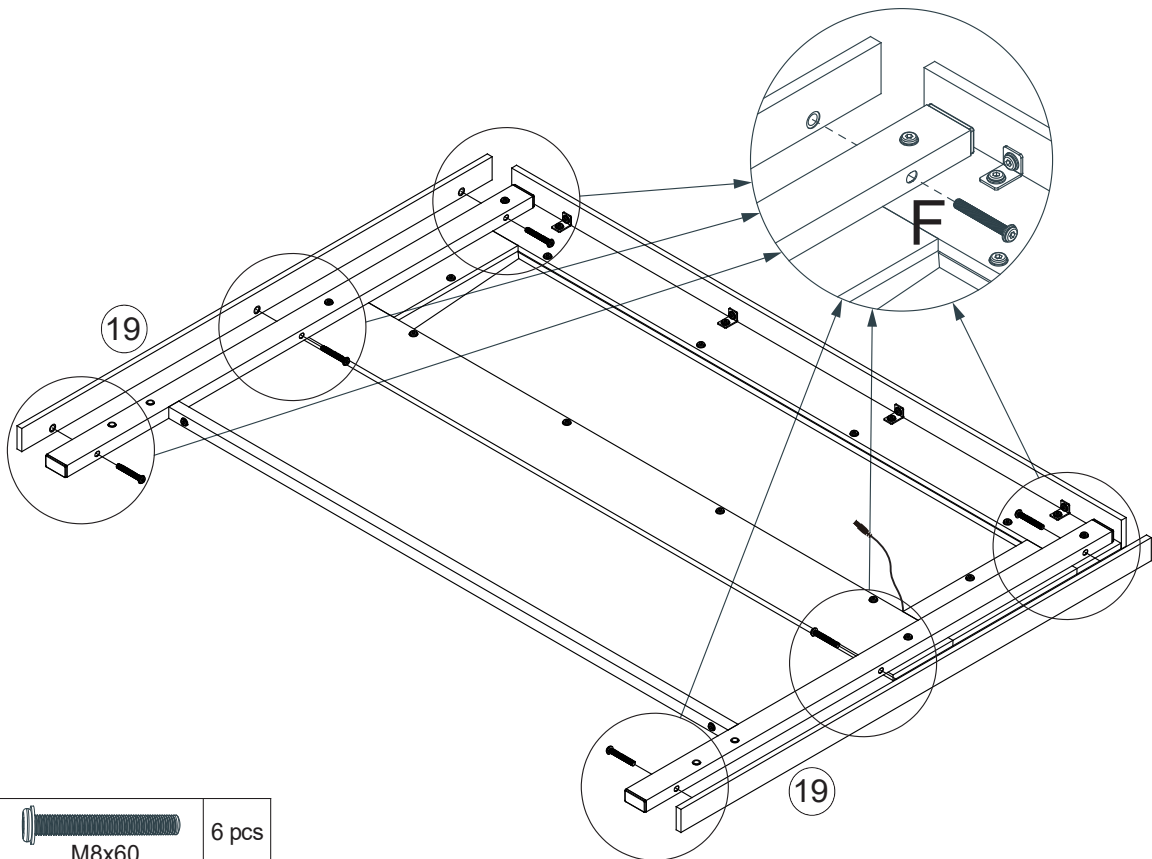
ASSEMBLY INSTRUCTIONS


9



D		4 pcs
	M8x33	

10

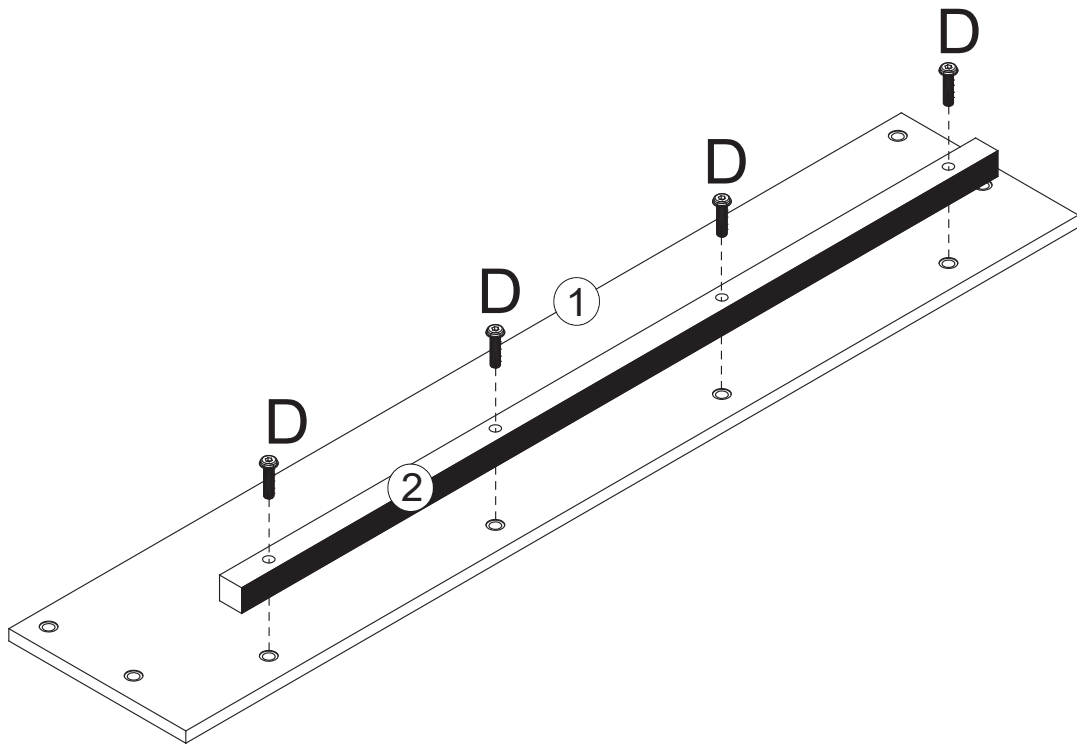


F		6 pcs
	M8x60	

ASSEMBLY INSTRUCTIONS

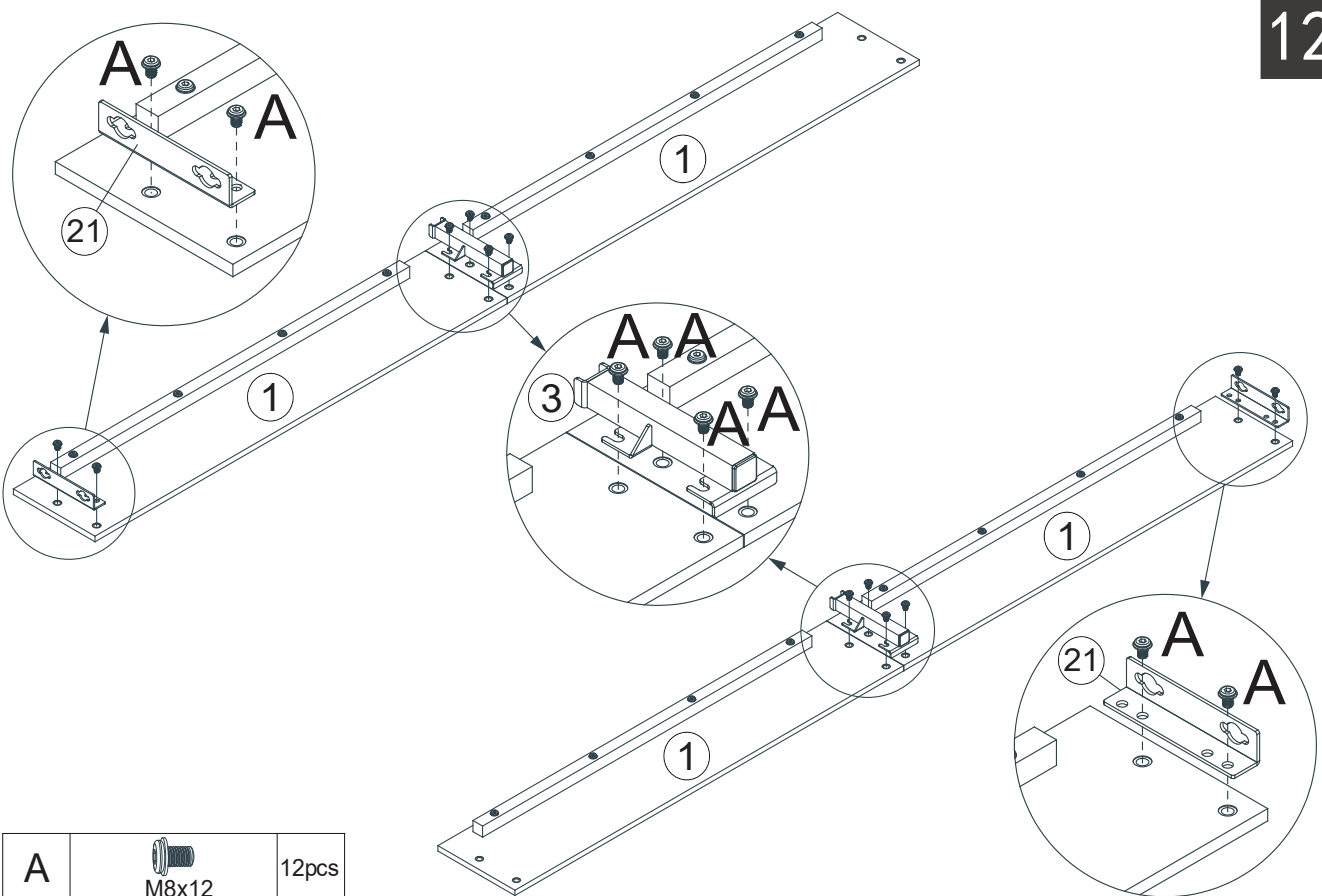
11

x4



D	 M8x33	16 pcs
---	--	--------

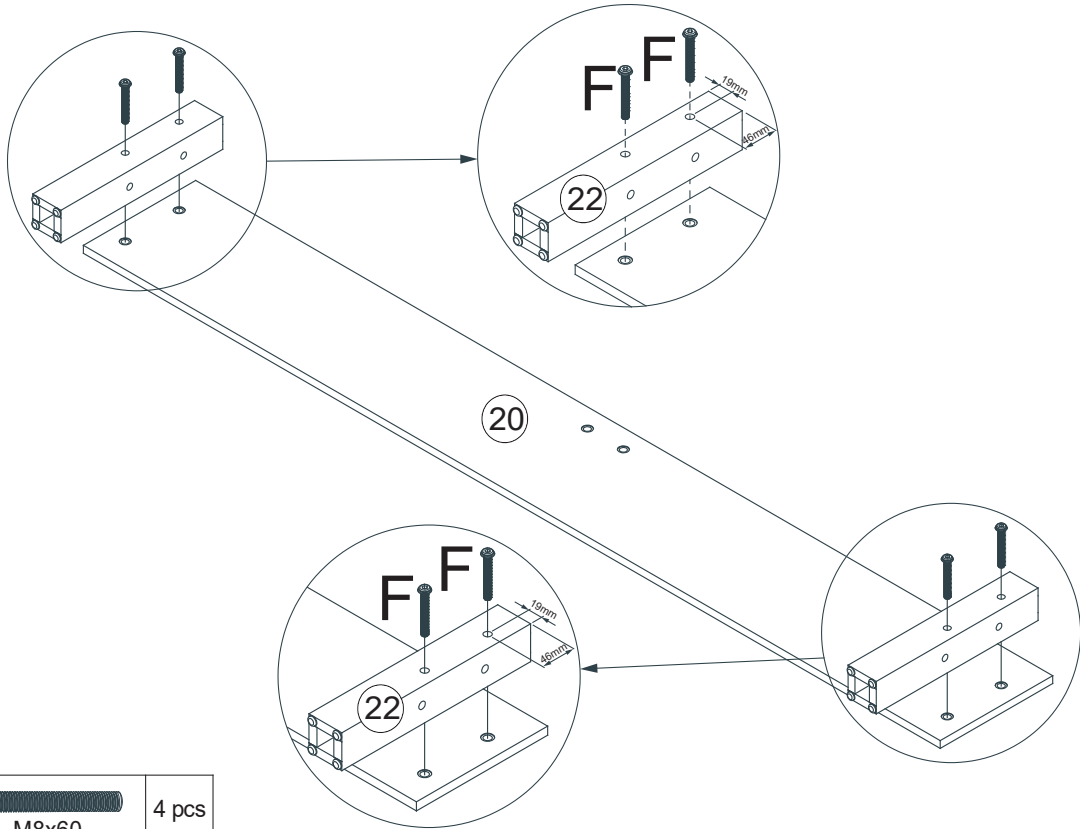
12



A	 M8x12	12 pcs
---	--	--------

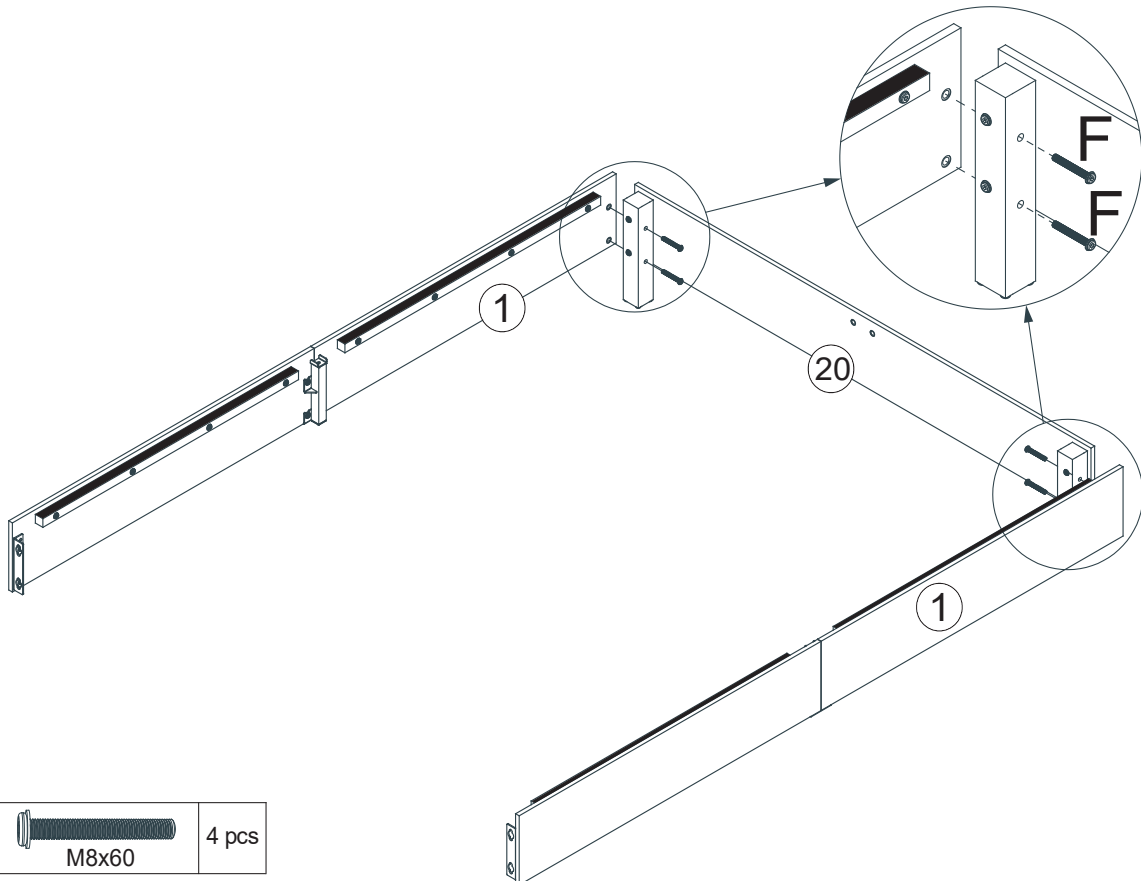
ASSEMBLY INSTRUCTIONS


13



F		4 pcs
M8x60		

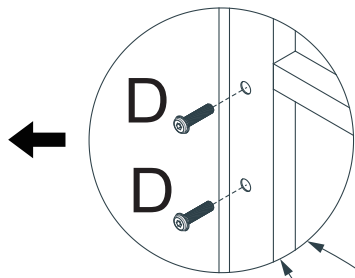
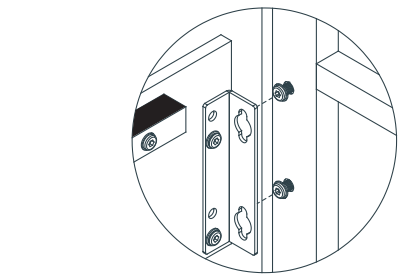
14



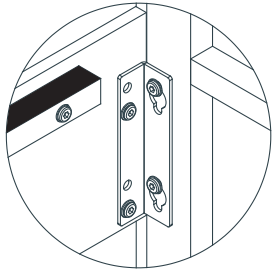
F		4 pcs
M8x60		

ASSEMBLY INSTRUCTIONS

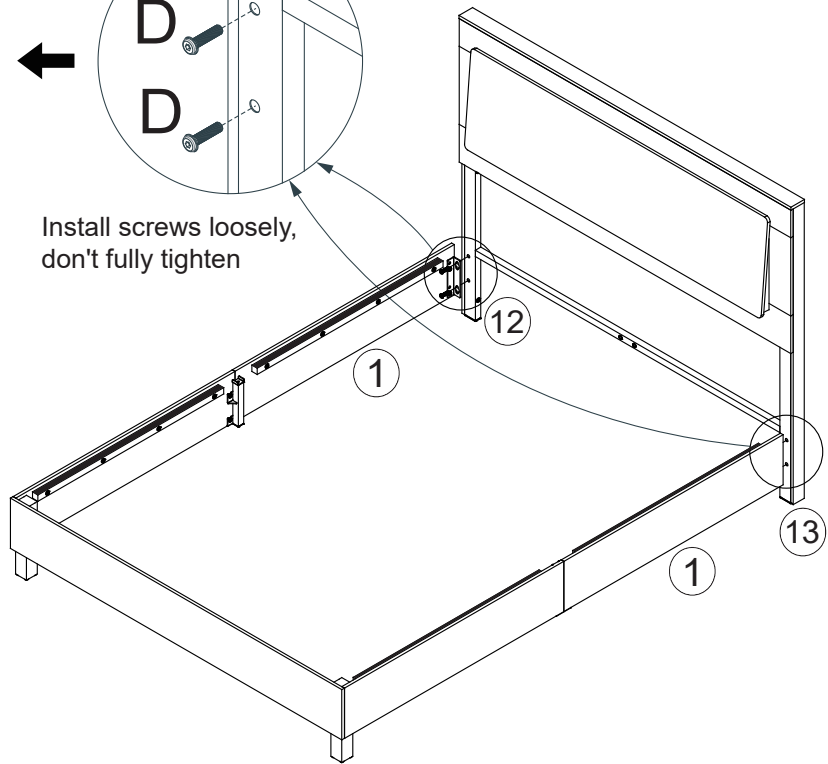
15



Install screws loosely,
don't fully tighten



Tighten screws D



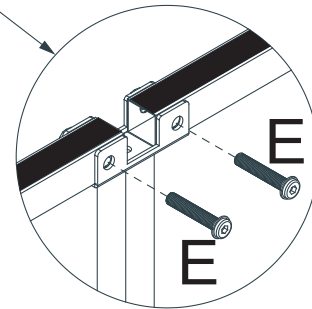
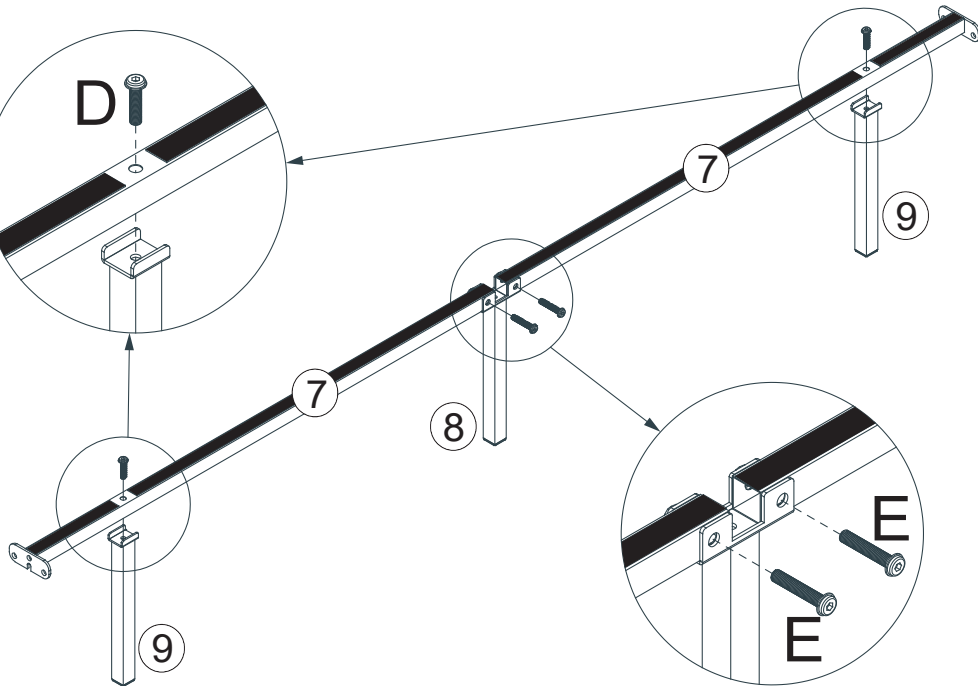
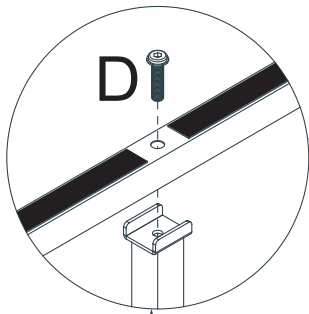
D



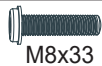
M8x33

4 pcs

16



D



M8x33

2 pcs

E



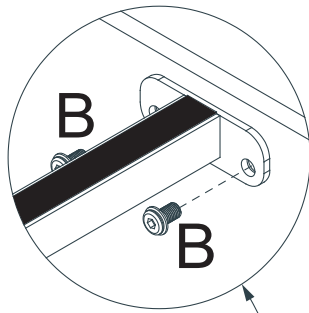
M8x45

2 pcs

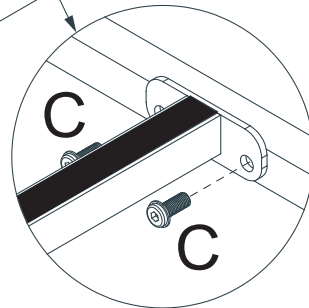
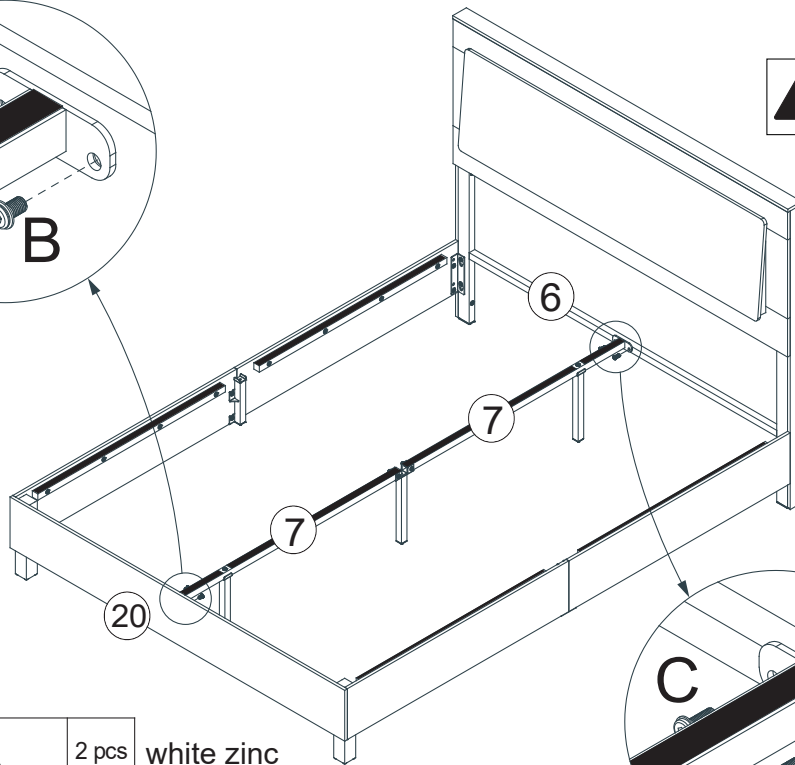
⚠ Do not fully tighten
the screws yet.


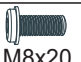
ASSEMBLY INSTRUCTIONS

17

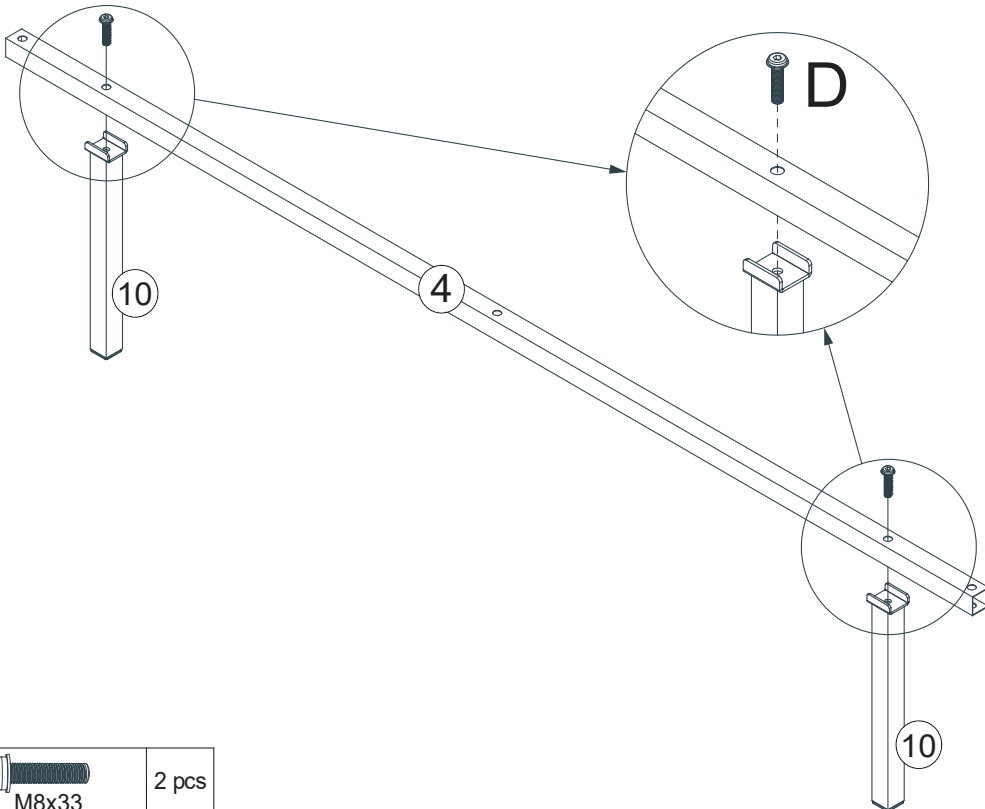


! The screws in this step need to be tightened.



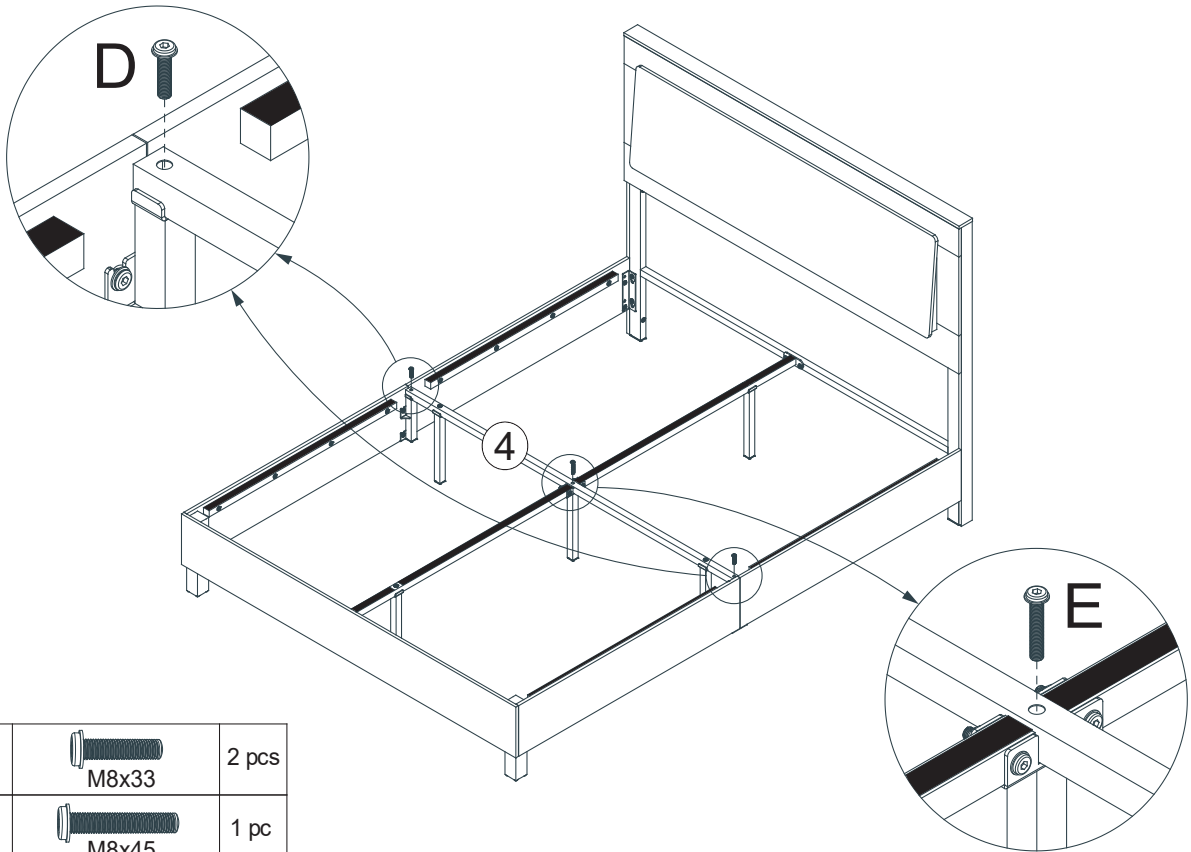
B	 M8x14	2 pcs	white zinc
C	 M8x20	2 pcs	

18

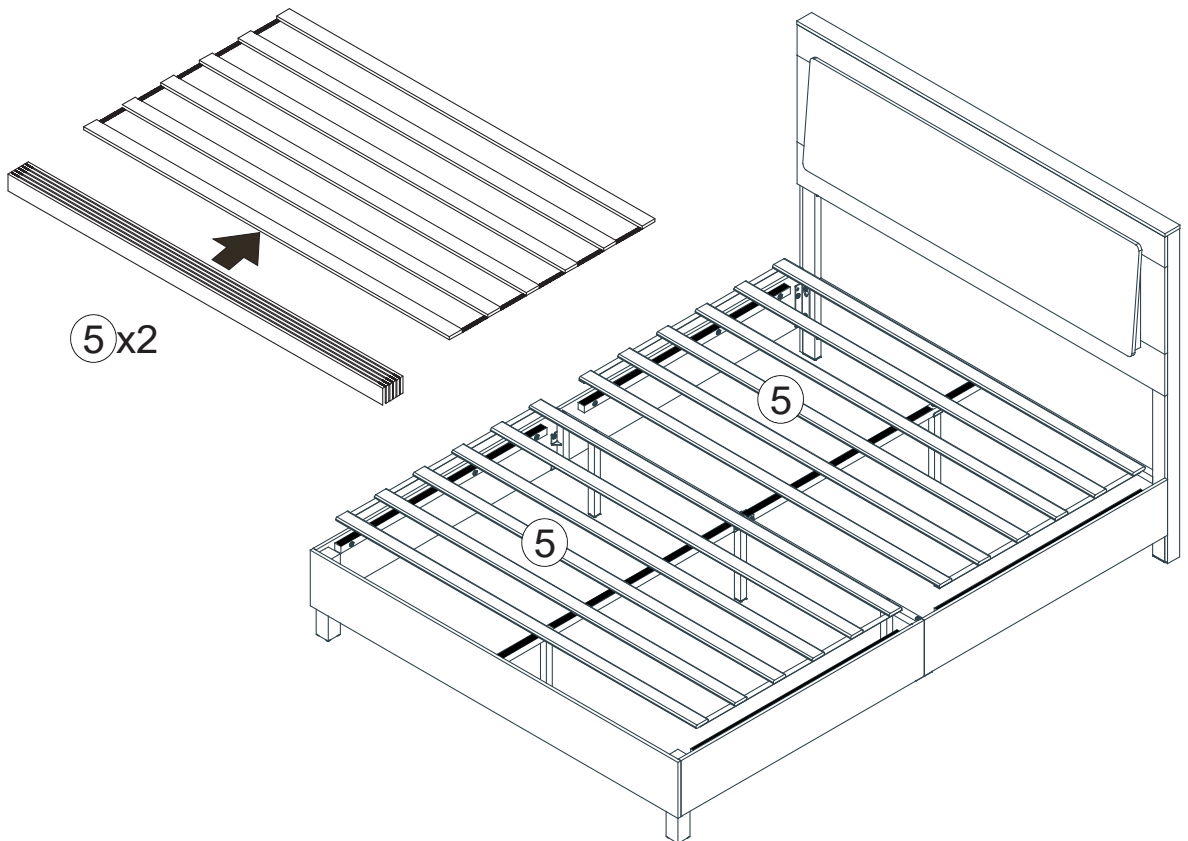


D	 M8x33	2 pcs	
---	---	-------	--

19

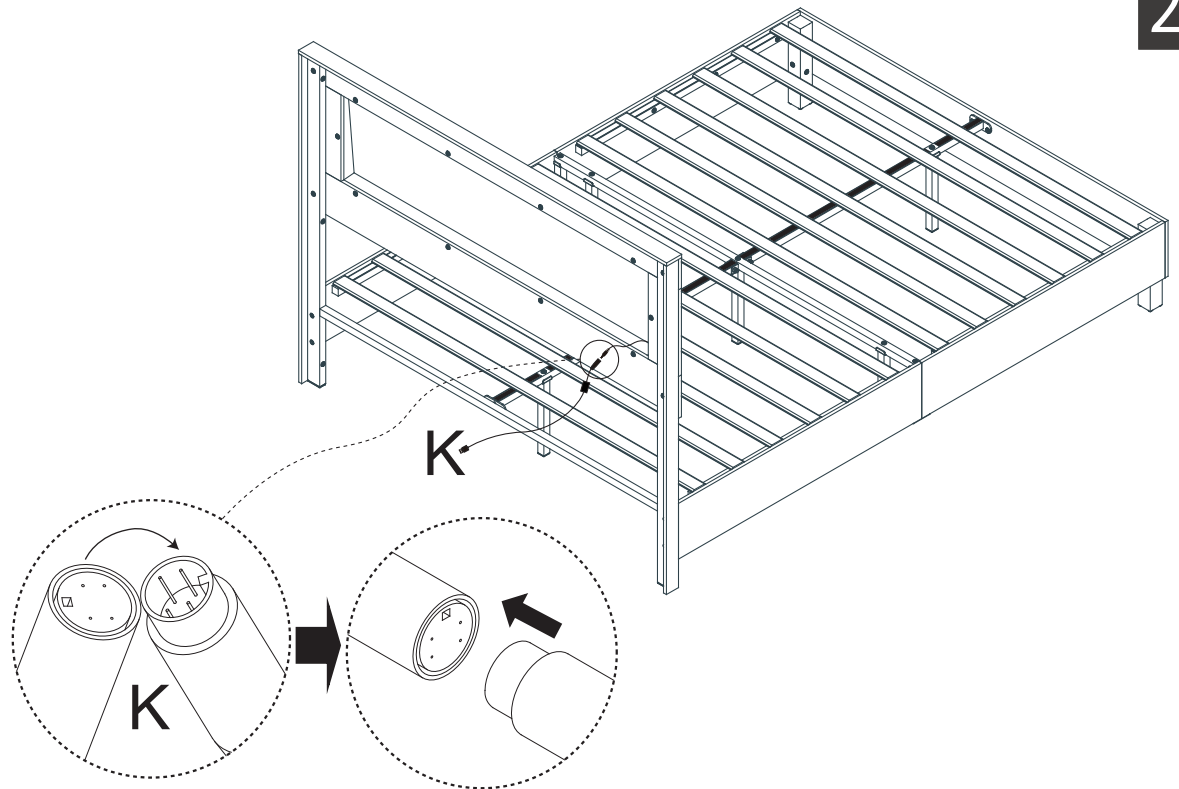


20



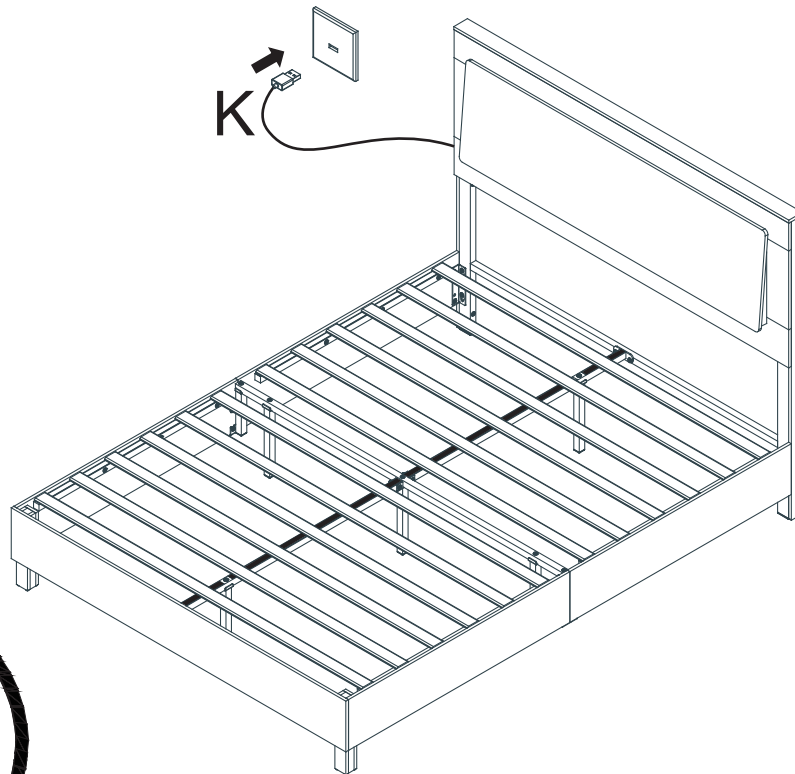
ASSEMBLY INSTRUCTIONS

21



K		1pc
---	---	-----

22



Installation Complete