

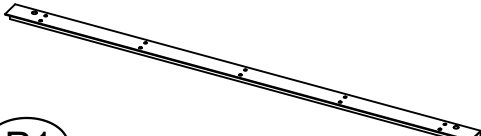
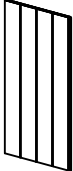

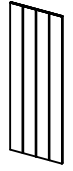





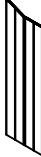





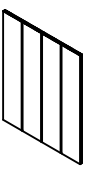
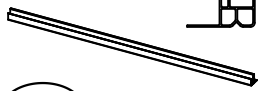
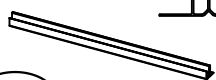







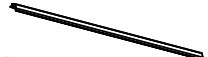




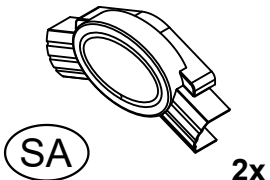
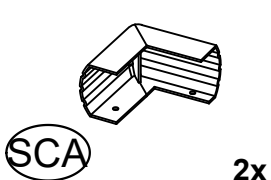
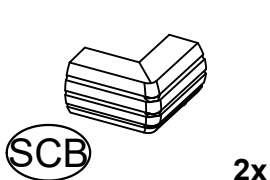
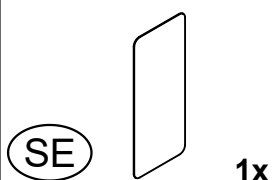
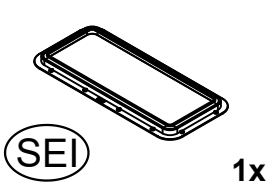
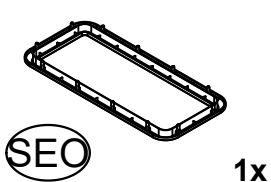
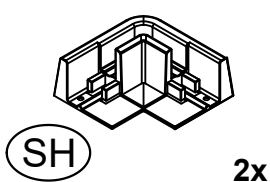
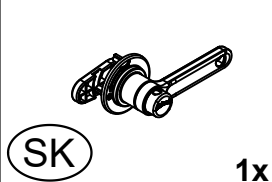
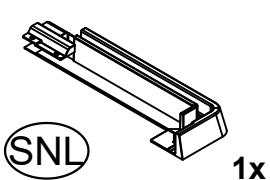
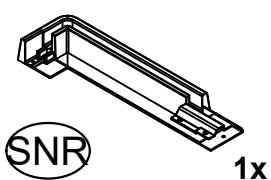
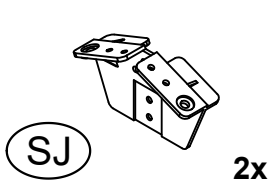
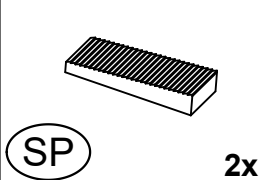
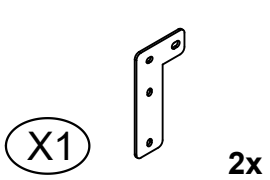
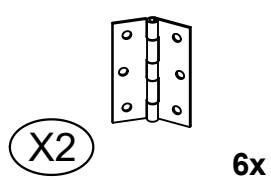
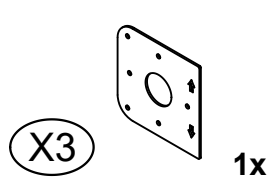
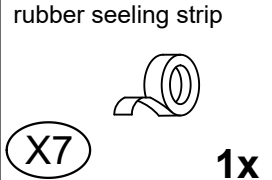
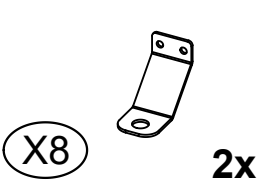
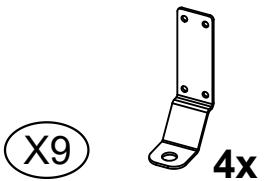
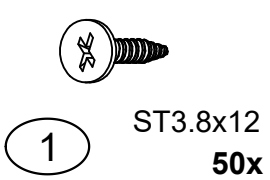
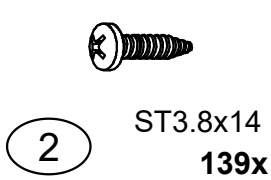
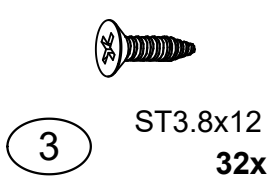
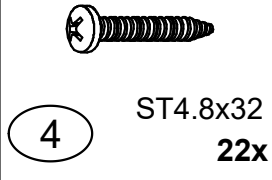
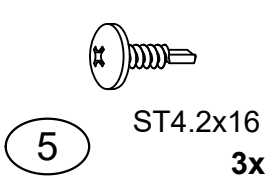
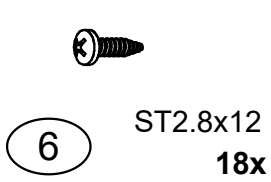
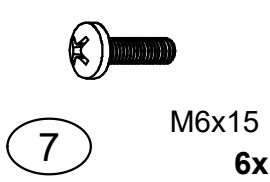
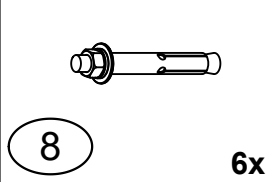
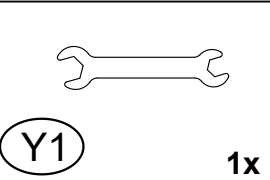
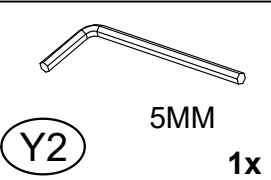
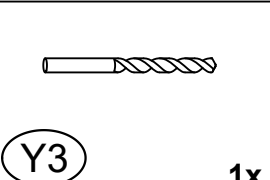
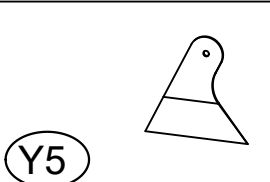
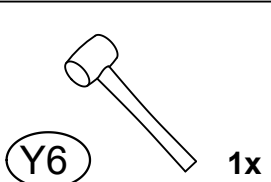
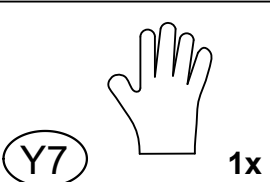

 (DT3) 1x	 (DR) 1x		
 (DL) 1x	 (P1) 2x		
 (A7) 1x	 (A8A) 1x	 (B2) 1x	 (B12) 1x
 (B13A) 1x	 (B13B) 1x	 (B4L) 1x	 (B4R) 1x
 (B15L) 1x	 (B15R) 1x	 (B11) 2x	 (B16L) 1x
 (B5R) 1x	 (C7) 2x	 (C8) 2x	
 (D5) 1x	 (D6) 2x	 (E3) 1x	 (F6) 1x
 (F7) 2x	 (F8R) 1x	 (F8L) 1x	 (H4) 2x
 (J3) 4x	 (K3) 4x	 (N3) 1x	 (N4) 1x
 (N5) 2x	 (Q5) 1x		

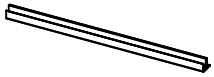
 SA 2x	 SCA 2x	 SCB 2x	 SE 1x
 SEI 1x	 SEO 1x	 SH 2x	 SK 1x
 SNL 1x	 SNR 1x	 SJ 2x	 SP 2x
 X1 2x	 X2 6x	 X3 1x	rubber sealing strip  X7 1x
 X8 2x	 X9 4x		
 1 ST3.8x12 50x	 2 ST3.8x14 139x	 3 ST3.8x12 32x	 4 ST4.8x32 22x
 5 ST4.2x16 3x	 6 ST2.8x12 18x	 7 M6x15 6x	 8 6x


TOOL:

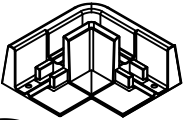
 Y1 1x	 Y2 5MM 1x	 Y3 1x	
 Y5	 Y6 1x	 Y7 1x	

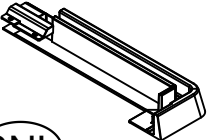
<1>

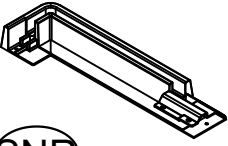
- 


(D5) 1x
- 

(D6) 2x
- 

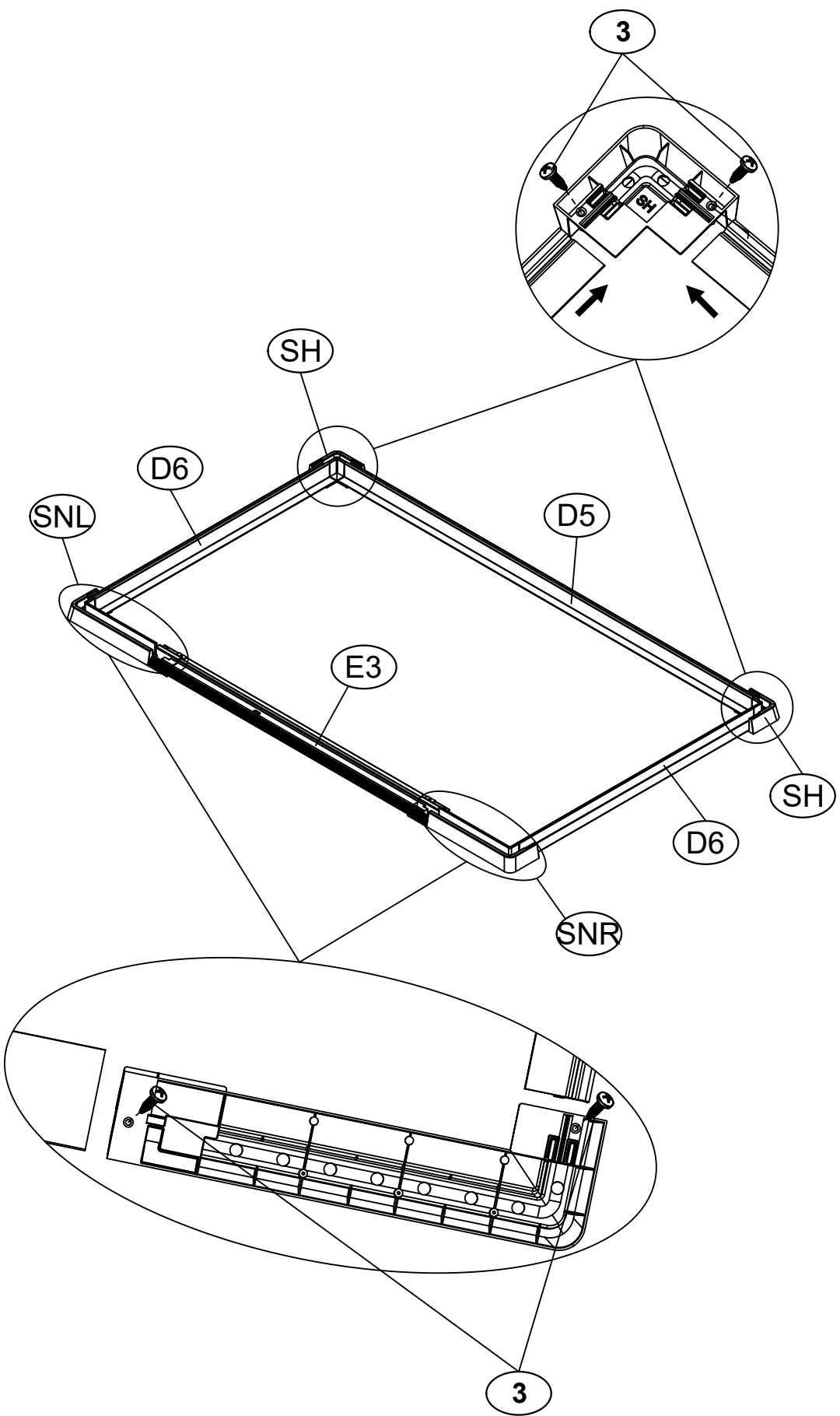
(E3) 1x
- 

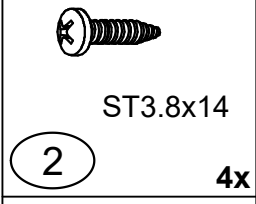
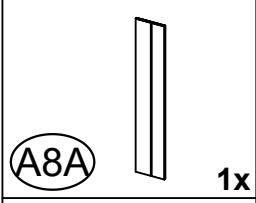
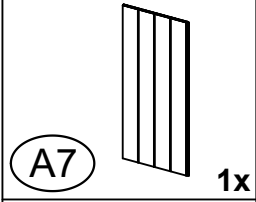
(SH) 2x
- 

(SNL) 1x
- 

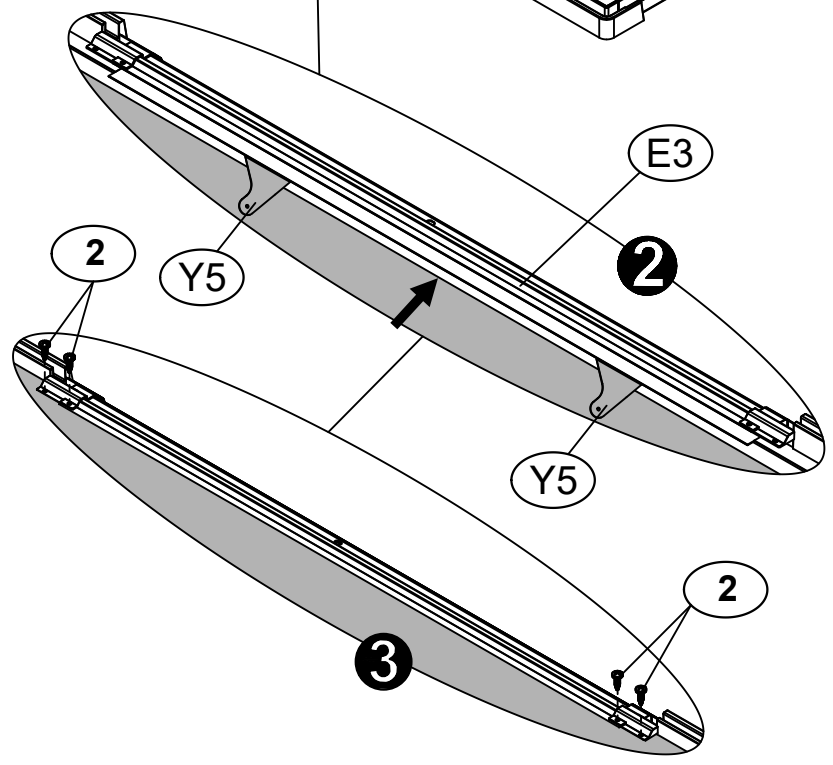
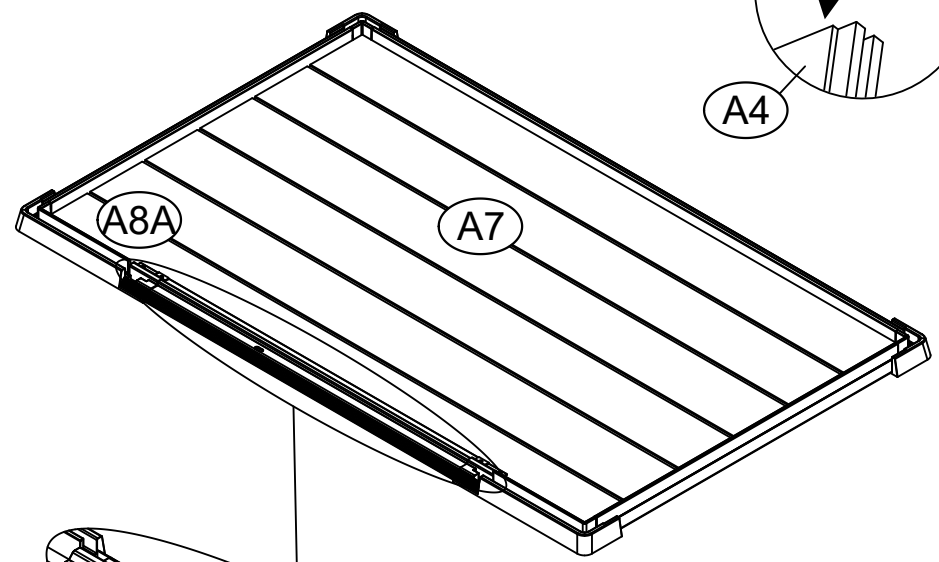
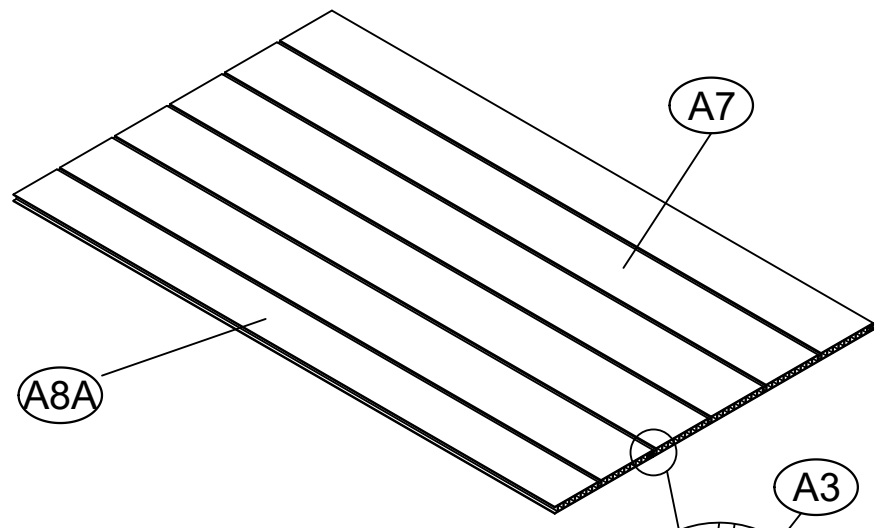
(SNR) 1x
- 

ST3.8x12
(3) 8x





<2>



<3>



F6 1x



F7 2x



F8R 1x

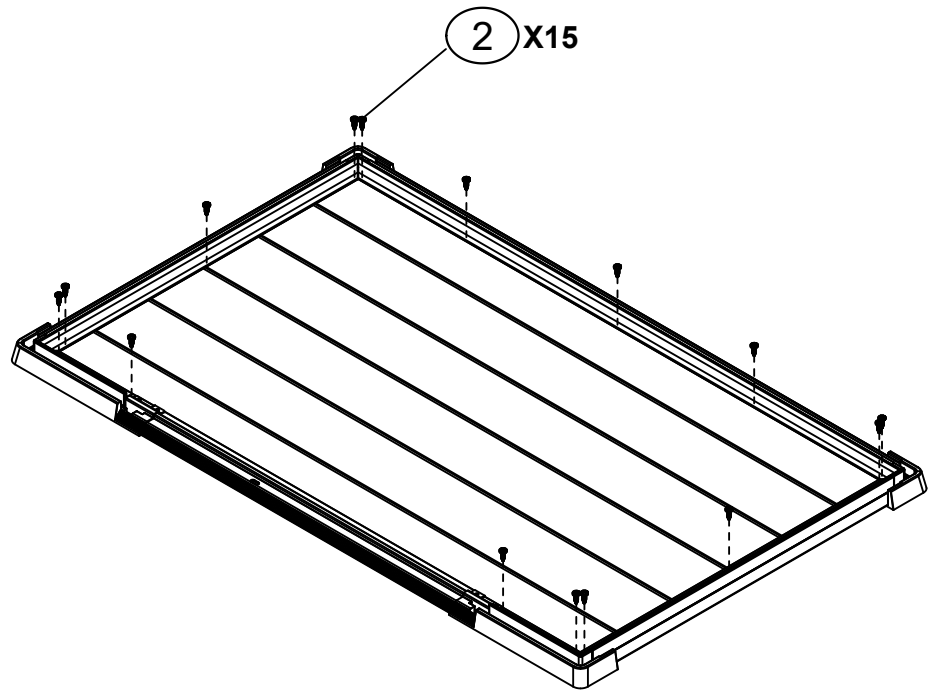
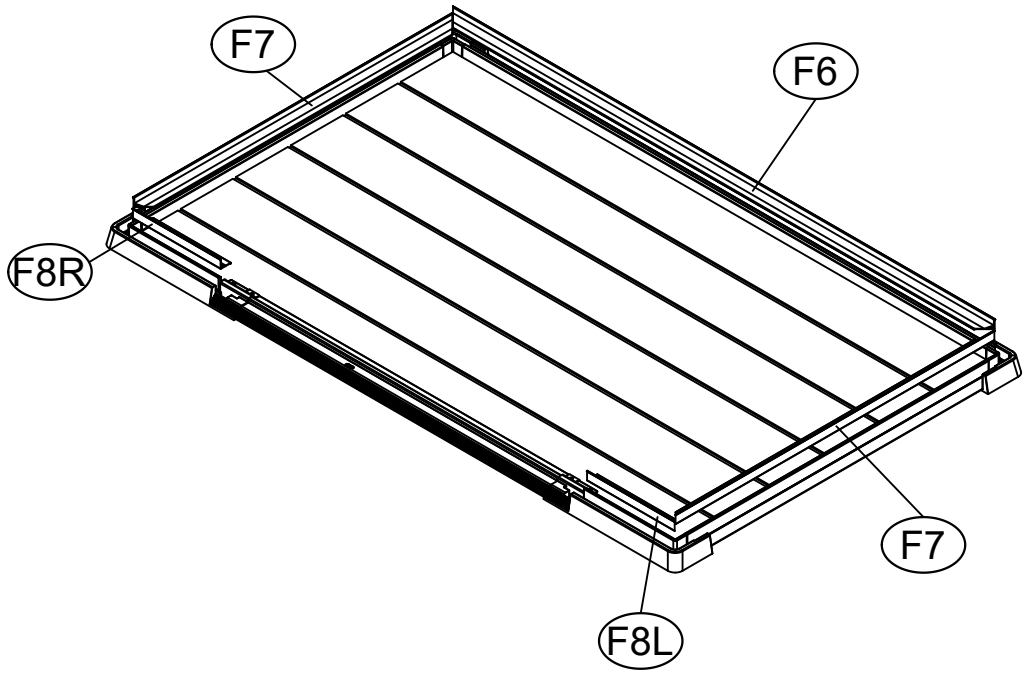


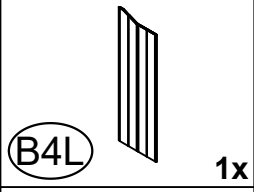
F8L 1x



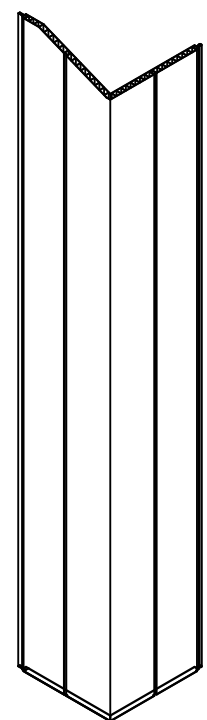
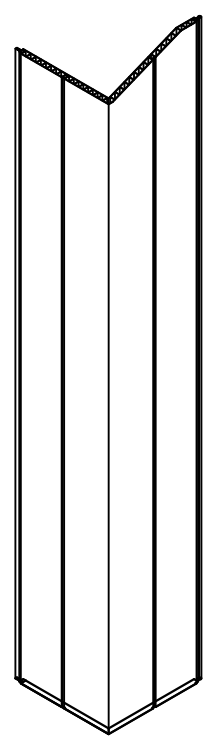
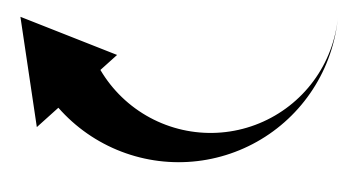
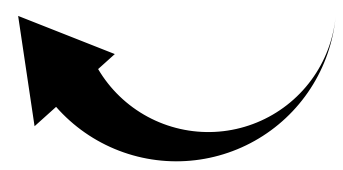
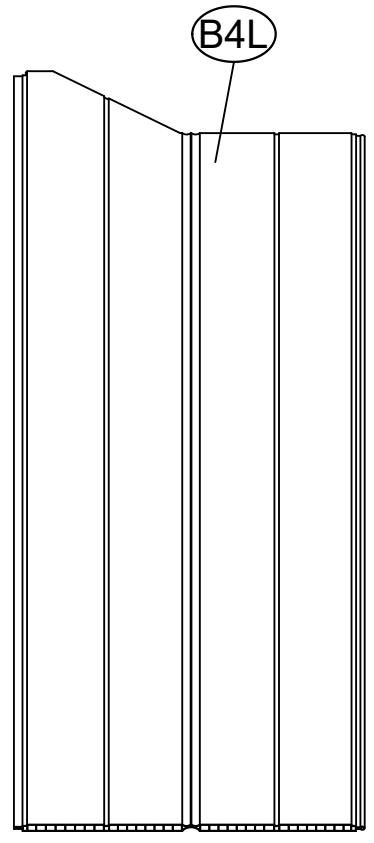
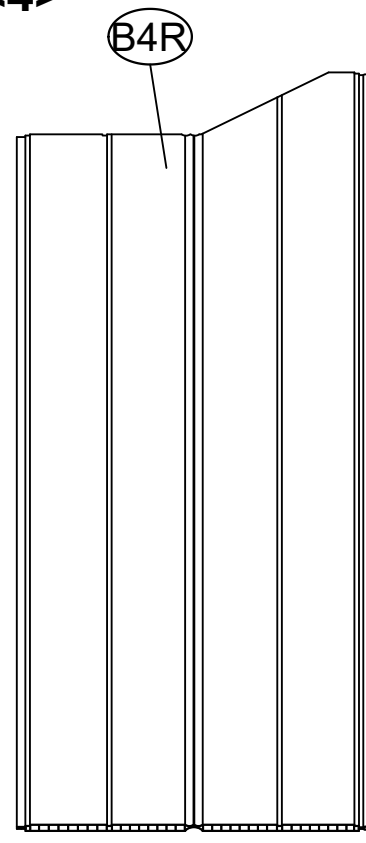
ST3.8x14

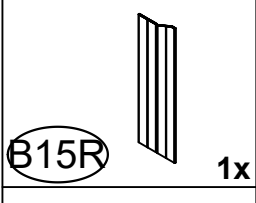
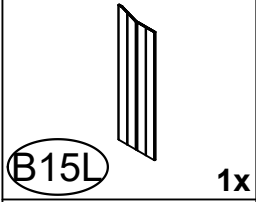
2 15x



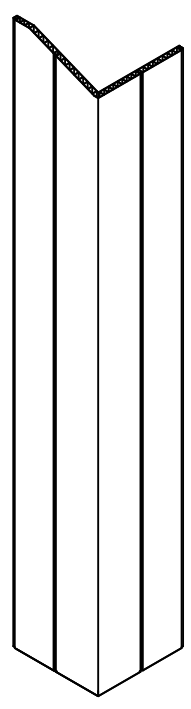
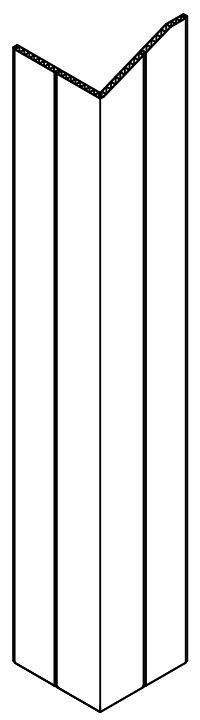
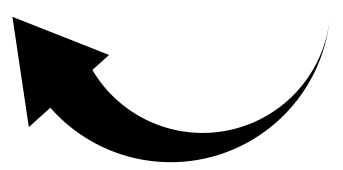
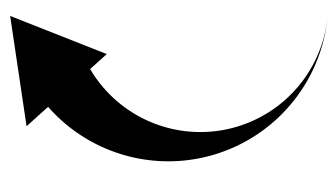
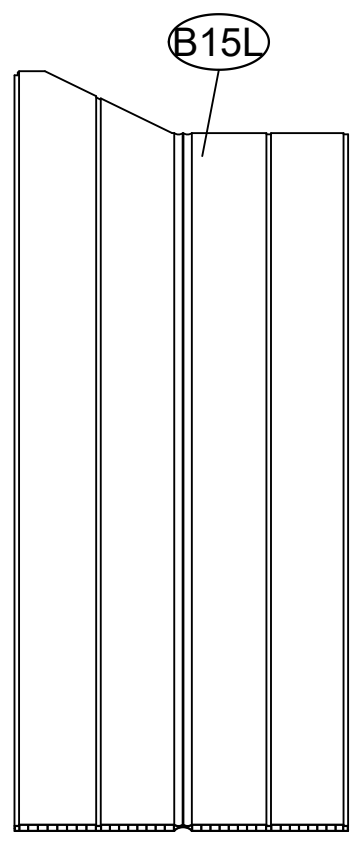
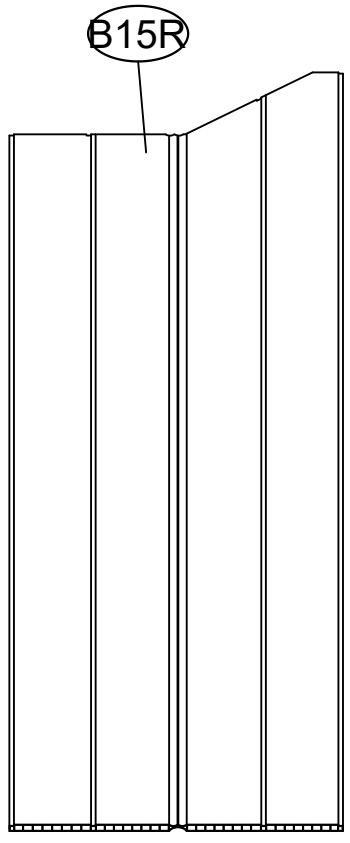


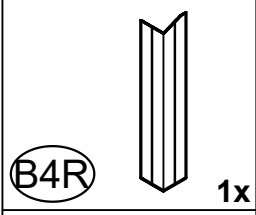
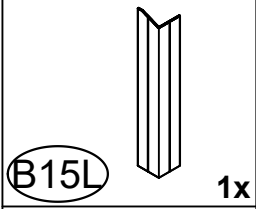
<4>



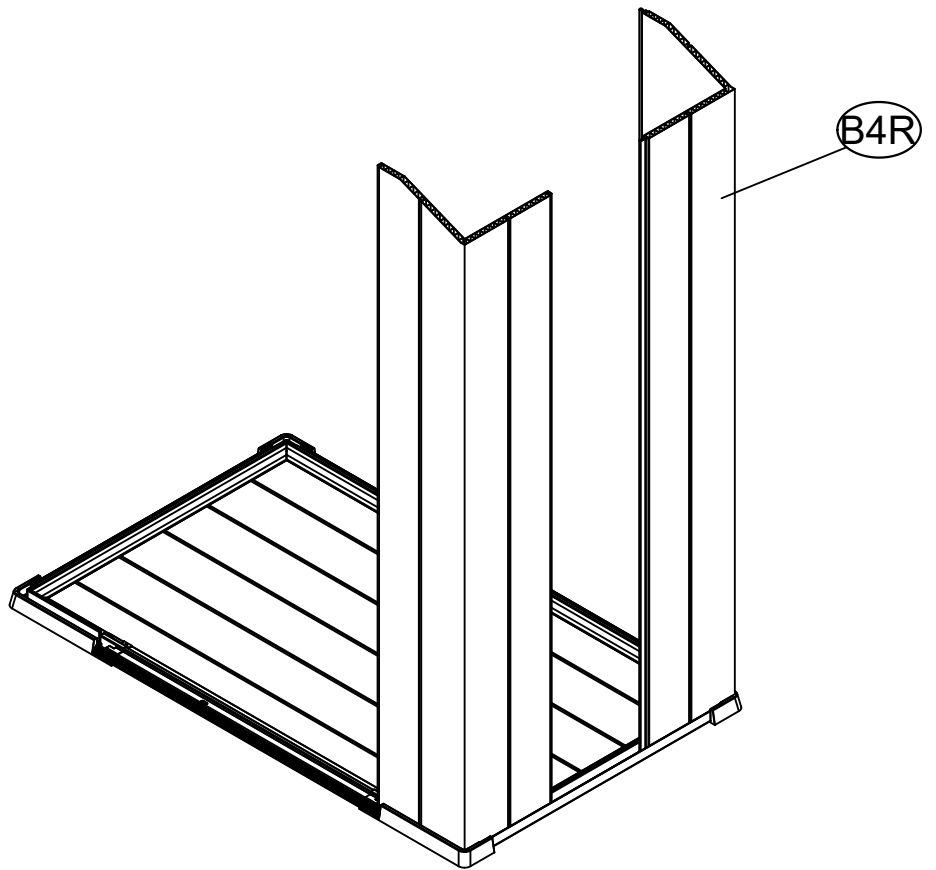
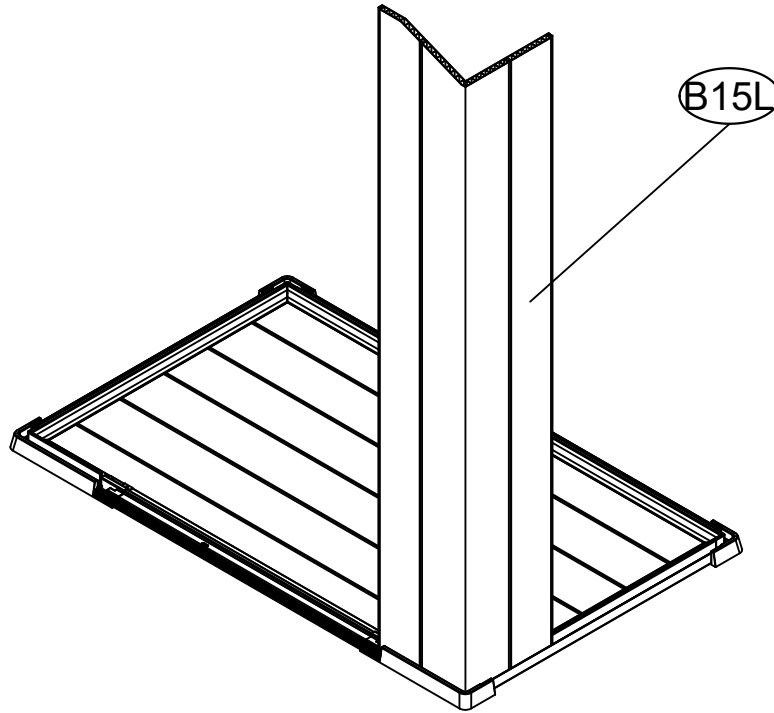


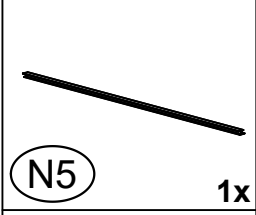
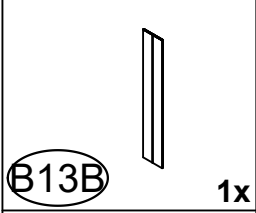
<5>



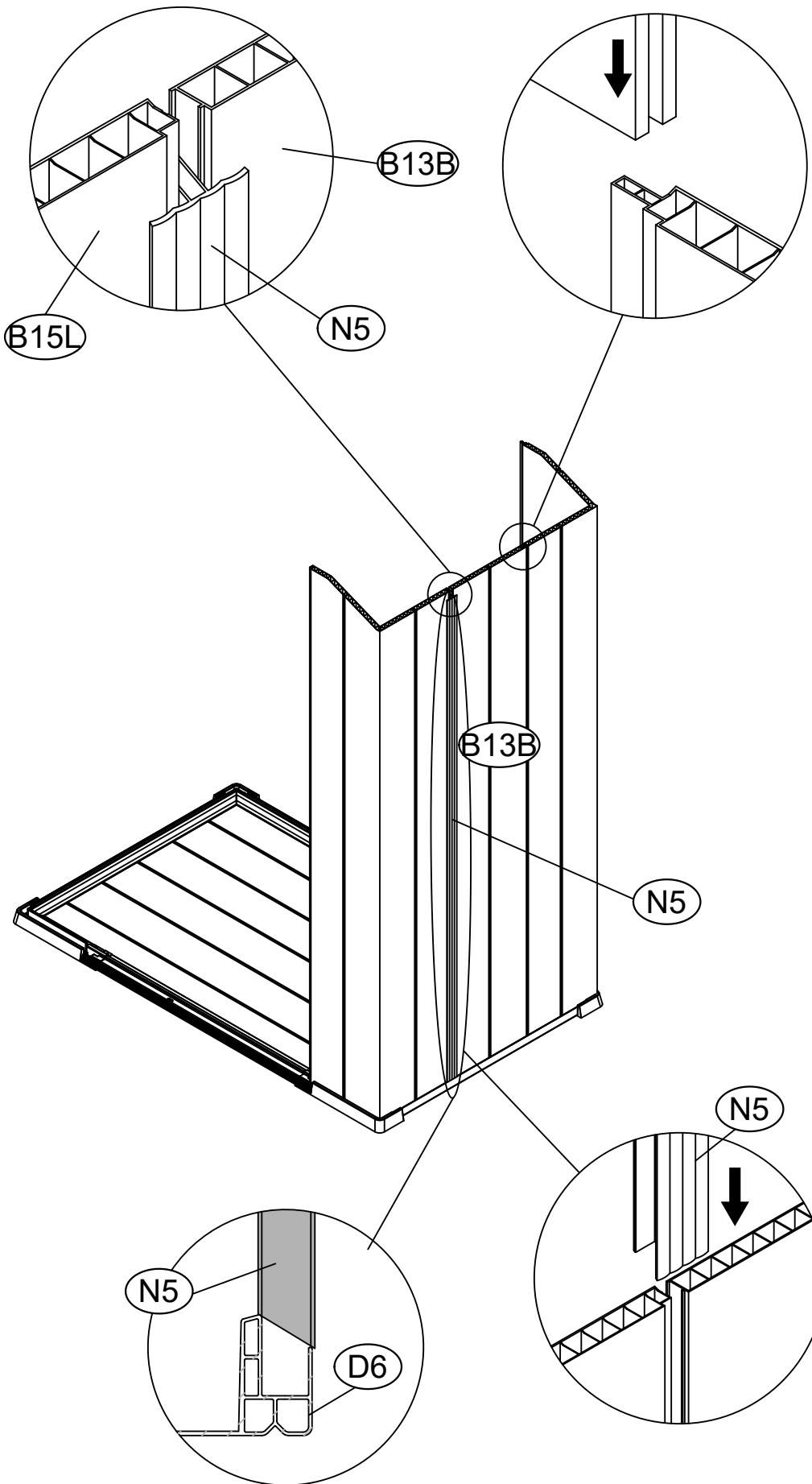


<6>



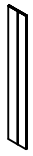


<7>



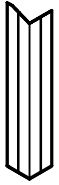
<7>

(B12)

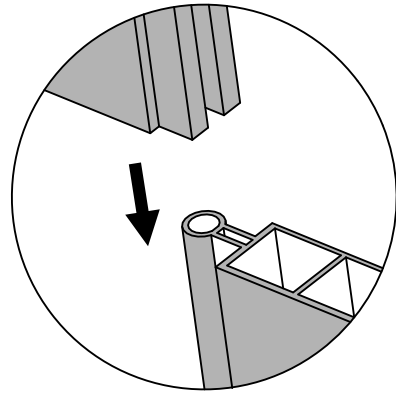


1x

(B4L)

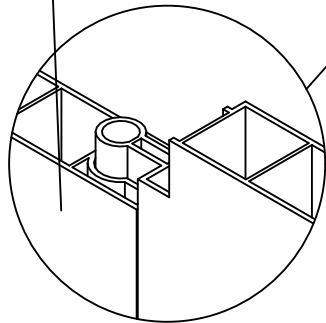


1x

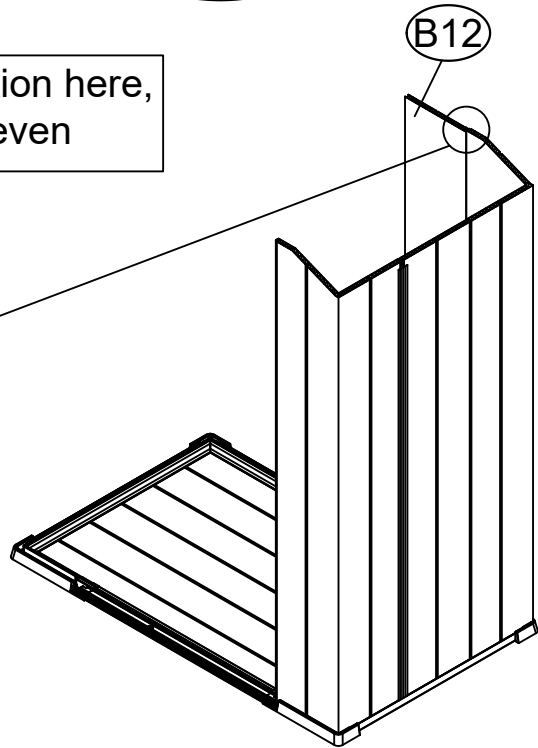


After installation here,
the top is uneven

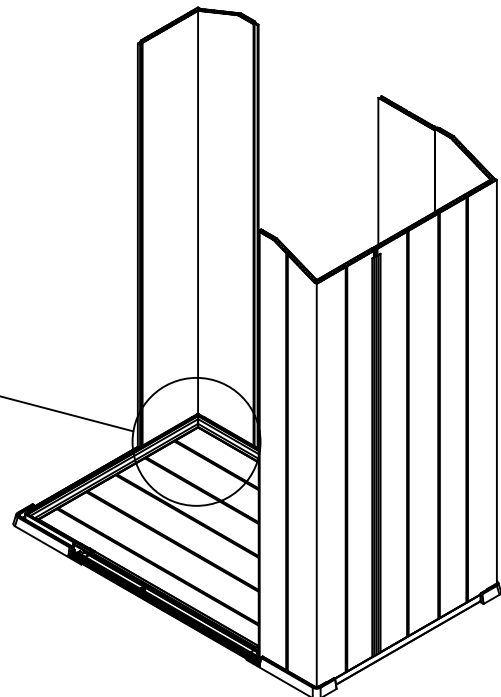
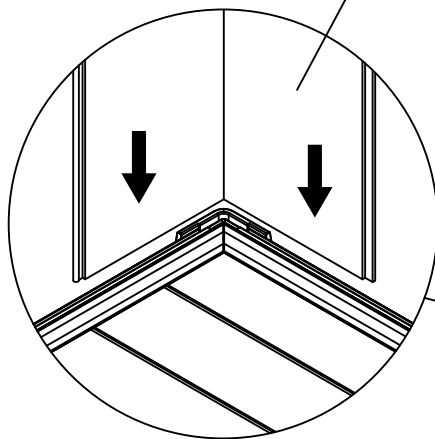
(B12)

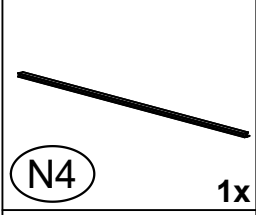
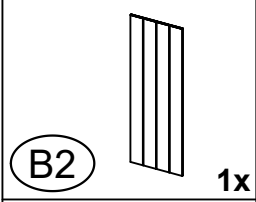


(B12)

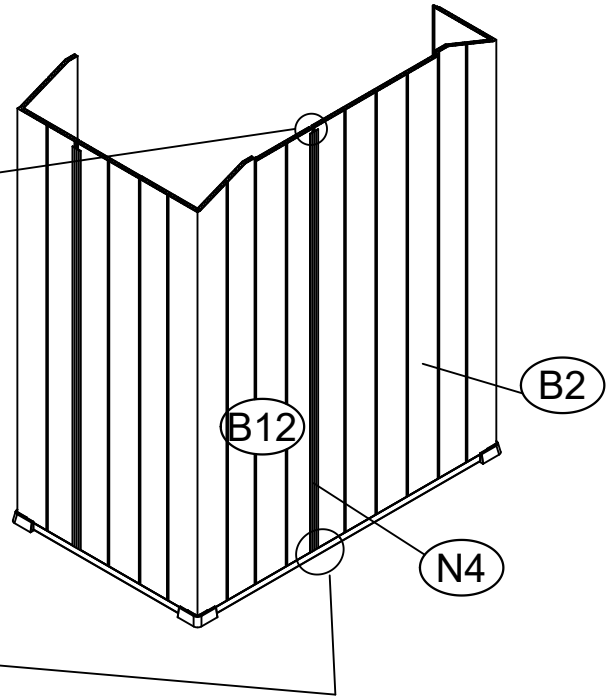
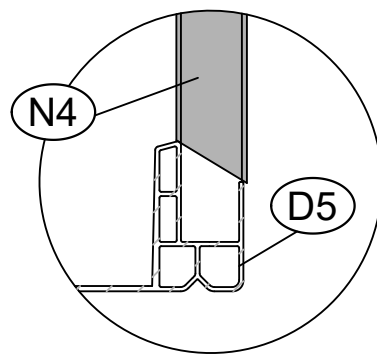
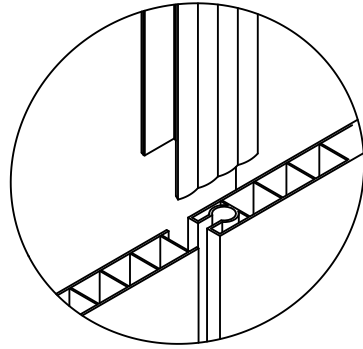


(B4L)

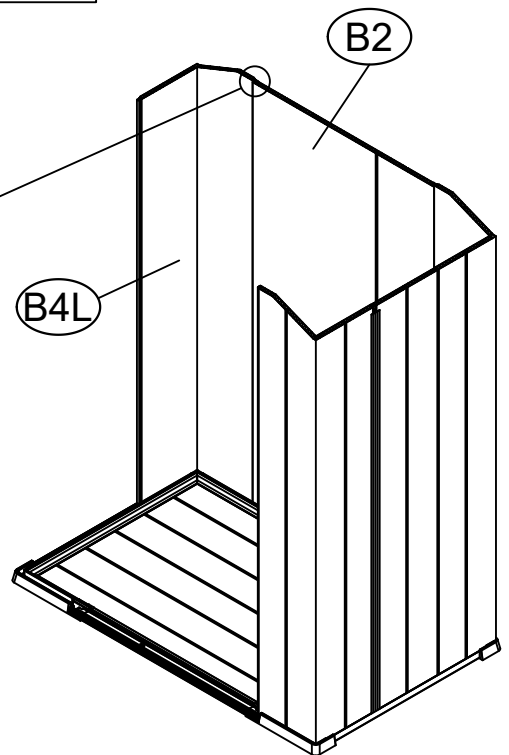
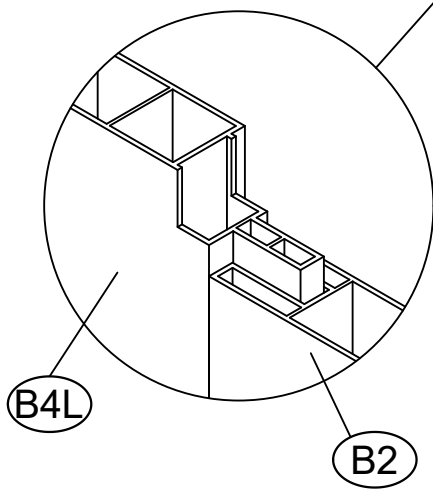






<8>

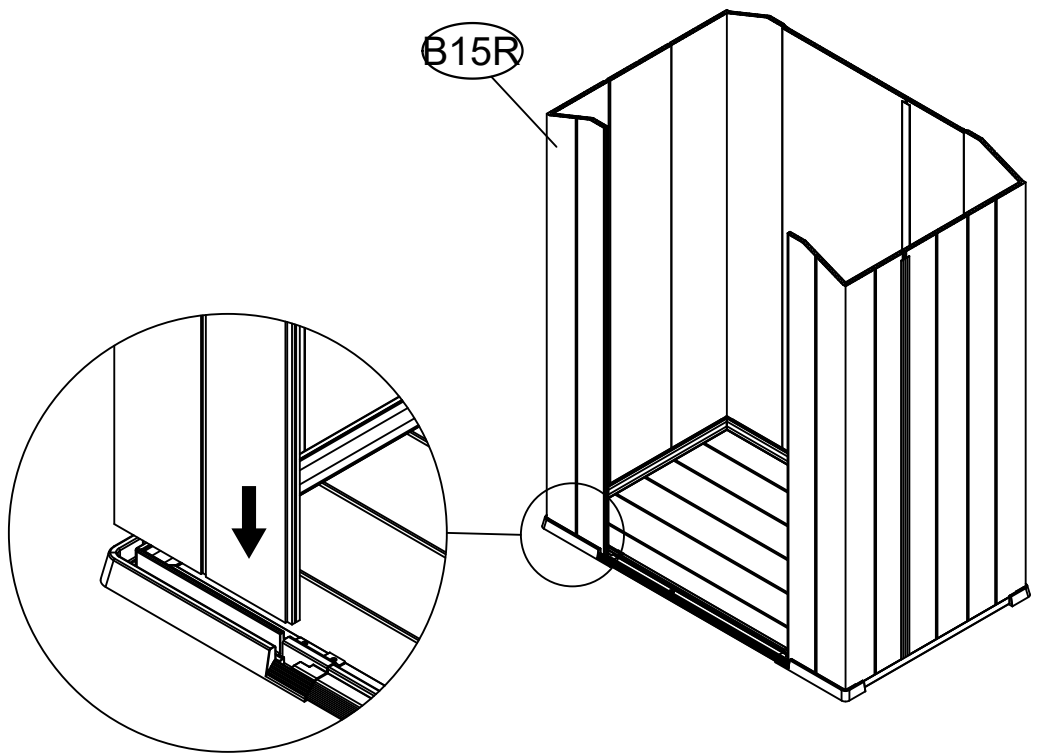
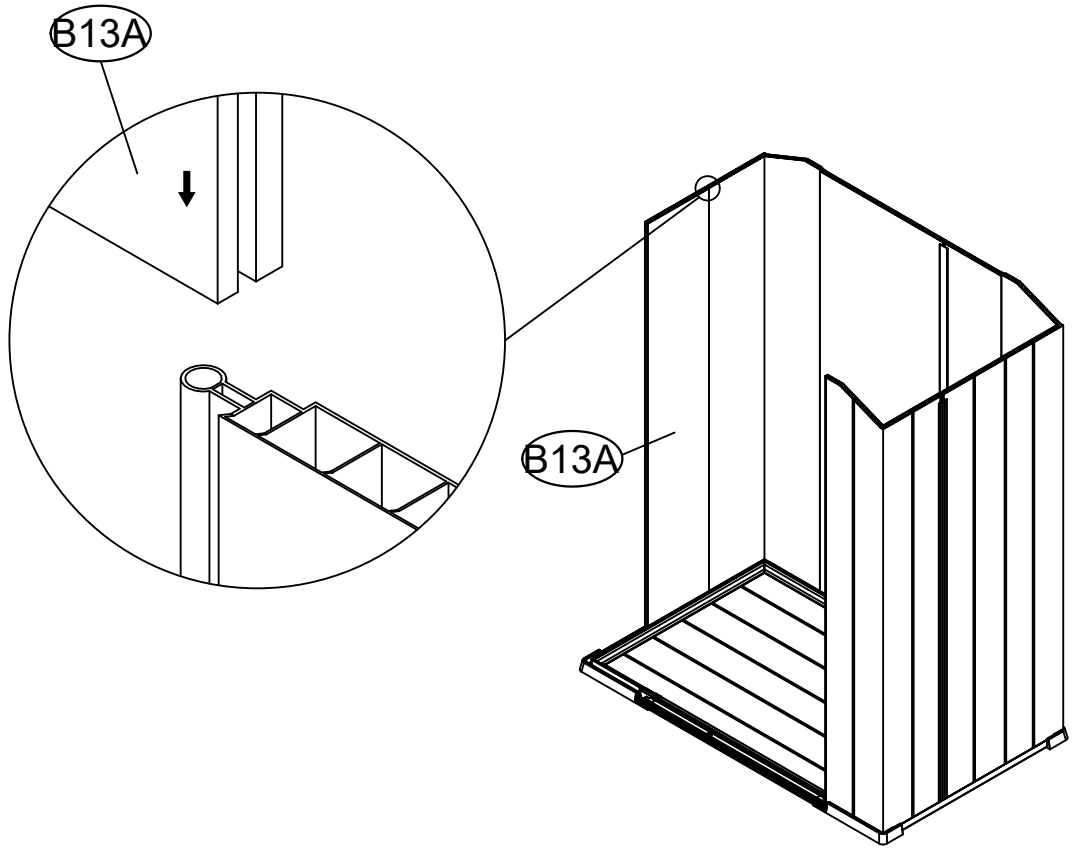


After installation here,
the top is uneven



- B13A

1x
- B15R

1x

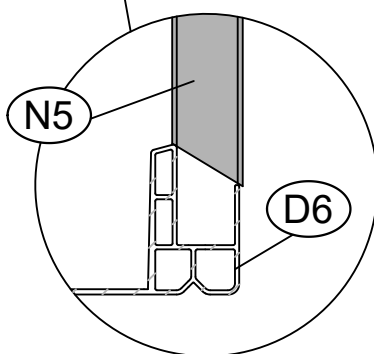
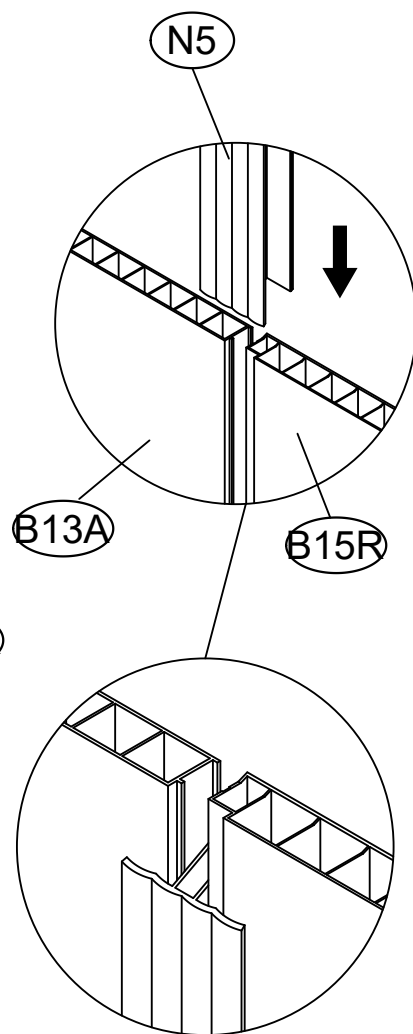
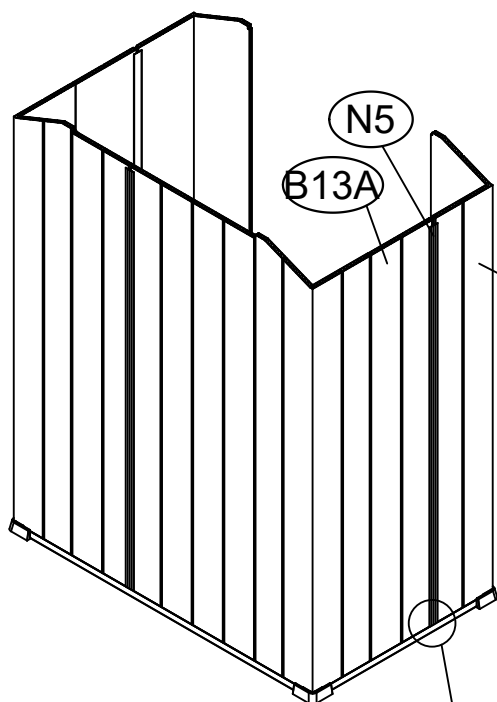
<9>



<10>

N5

1x





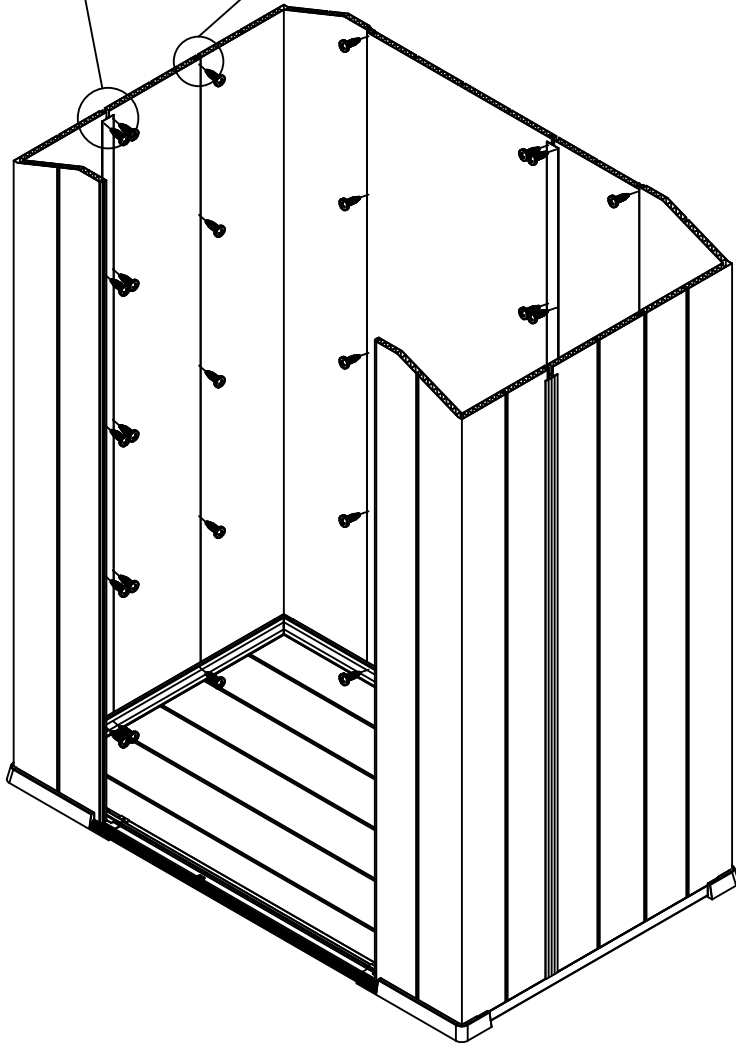
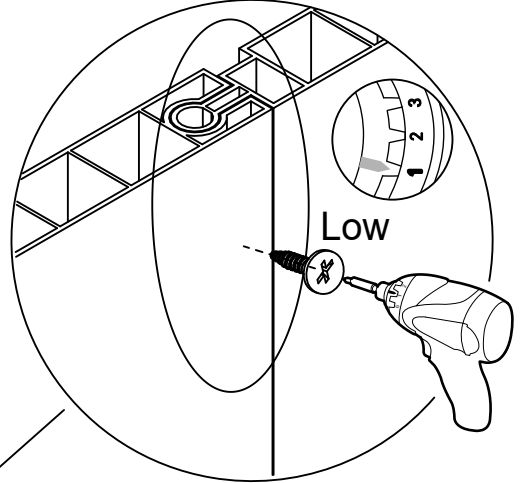
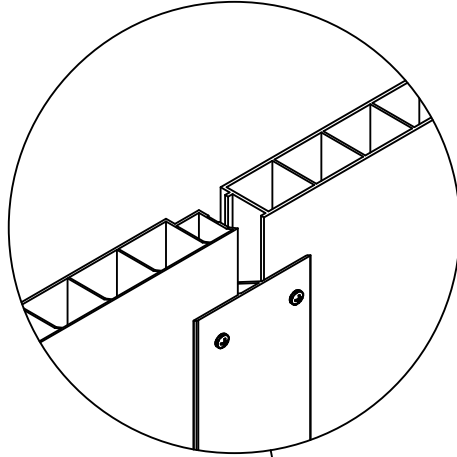
ST3.8x12

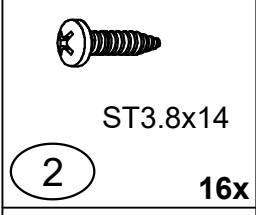
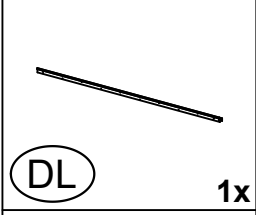
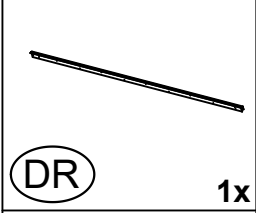
1

50x

<11>

The screw is screwed in at the junction of the board

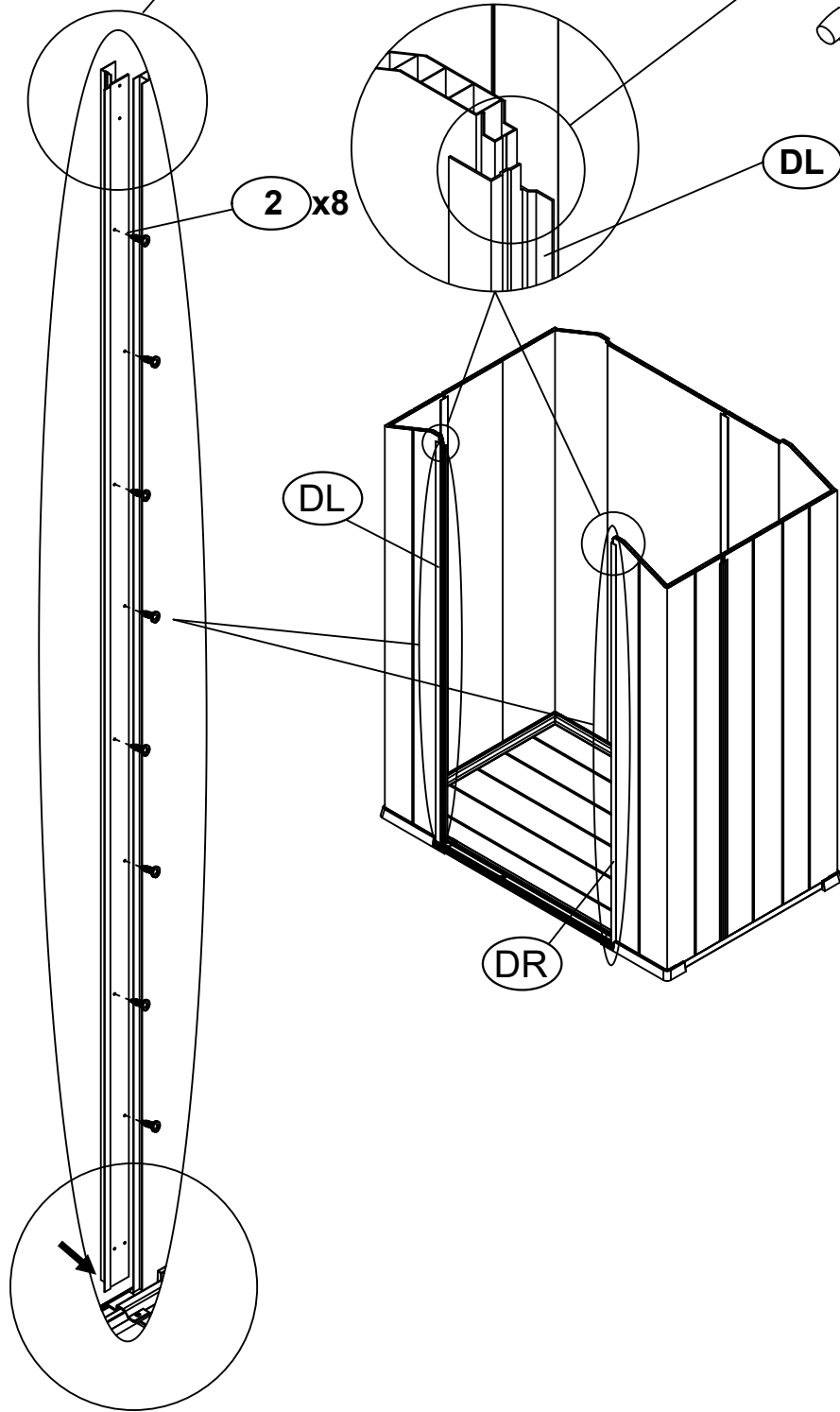




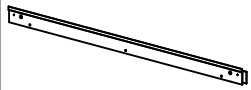
<12>

Do not screw the screw into the top hole first

Ensure proper installation before screwing in the self tapping screws



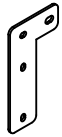
<13>



(DT3) 1x



(N3) 1x



(X1) 2x



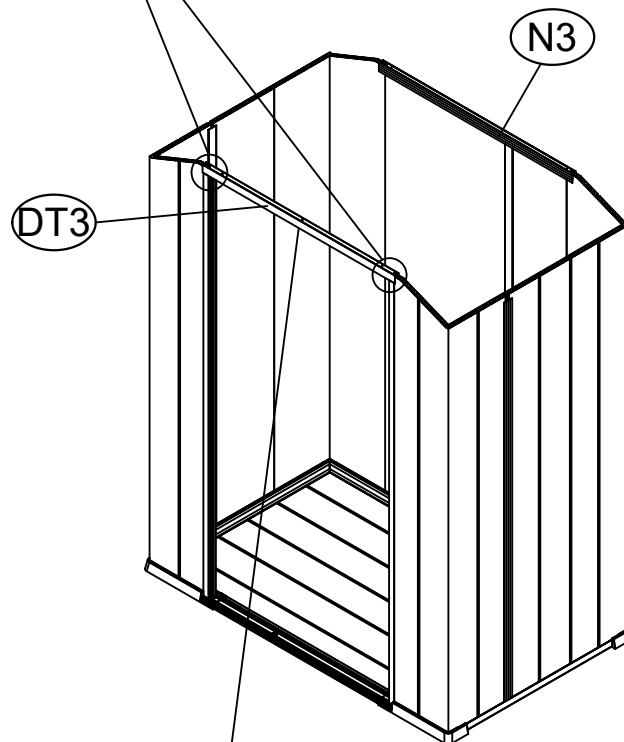
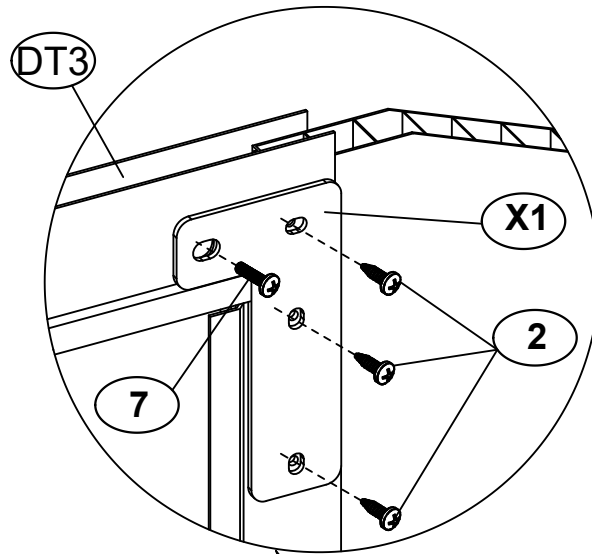
ST3.8x14

(2) 6x



M6x15

(7) 2x



#DT3# and #N3# should be placed in the center as much as possible



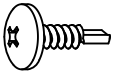
<14>

B11 2x



ST3.8x14

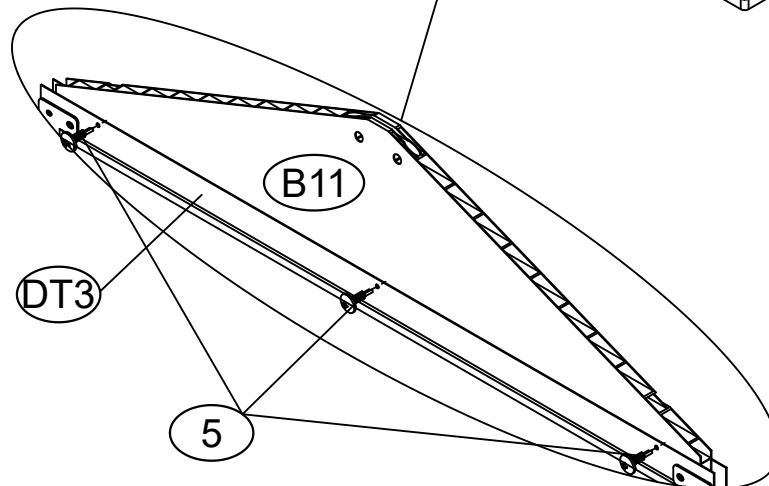
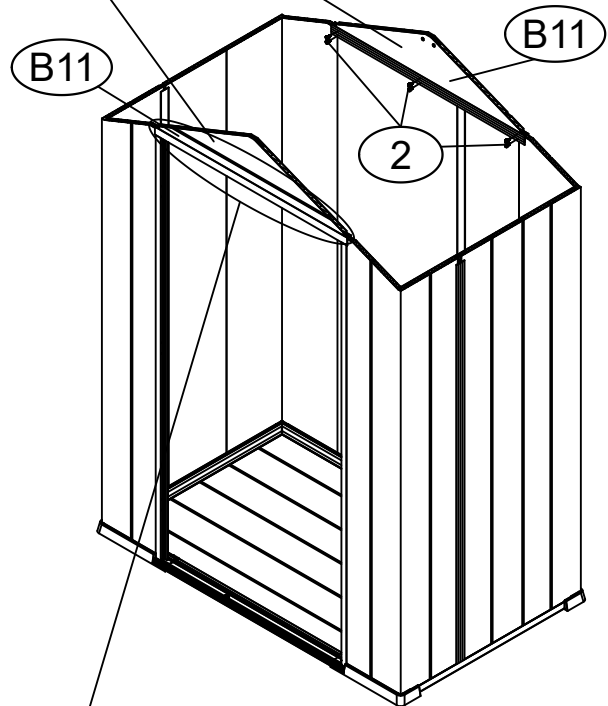
2 6x

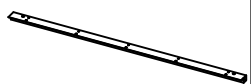


ST4.2x16

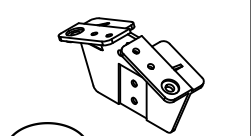
5 3x

Try to place it in the center as much as possible





P1 2x



SJ 2x



ST3.8x14

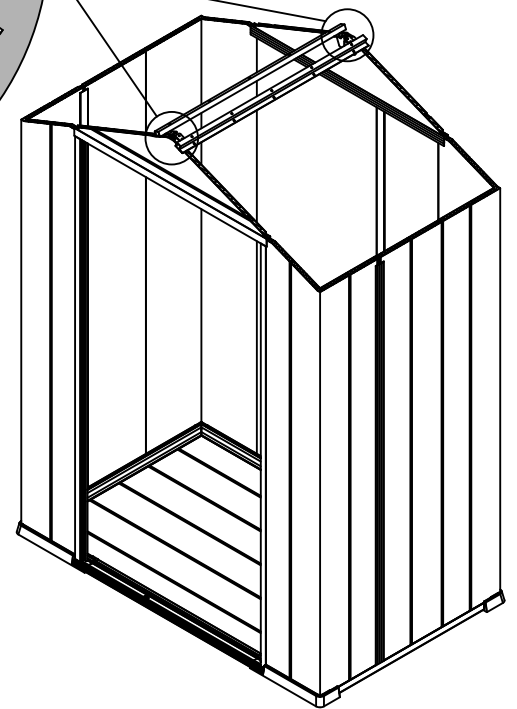
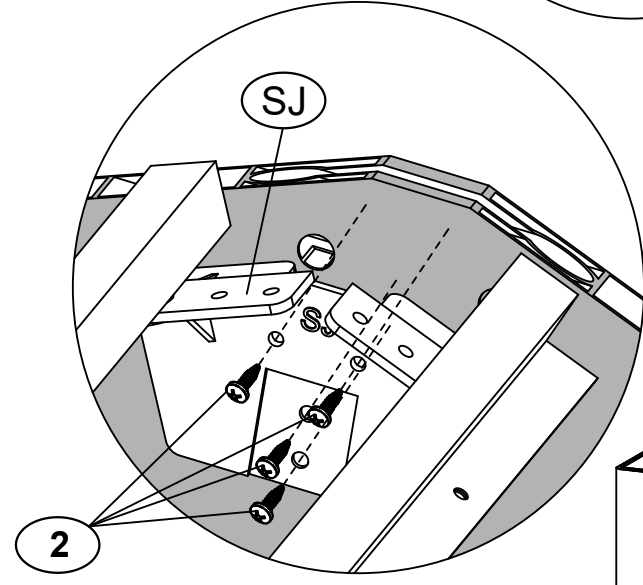
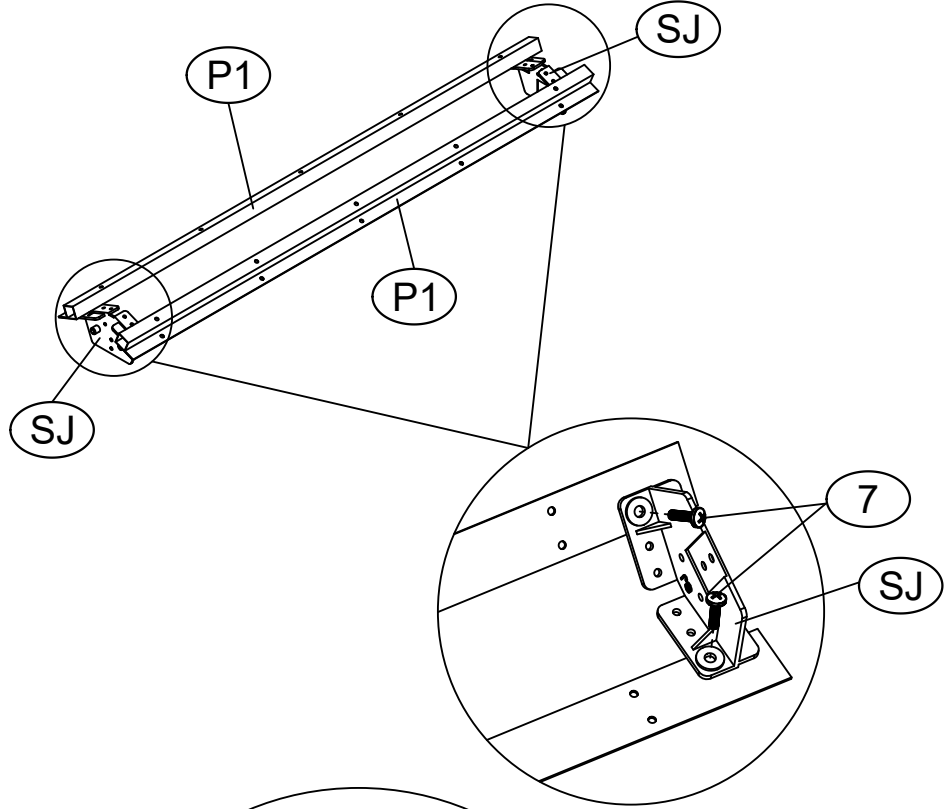
2 8x



M6x15

7 4x

<15>



<16>



H4

2x



J3

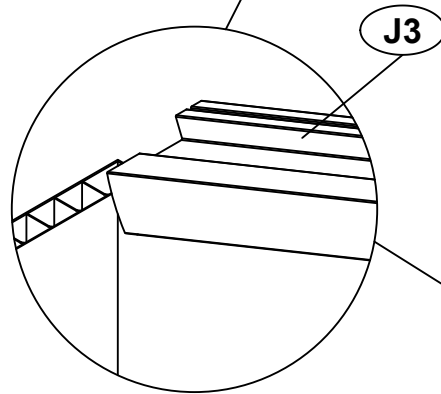
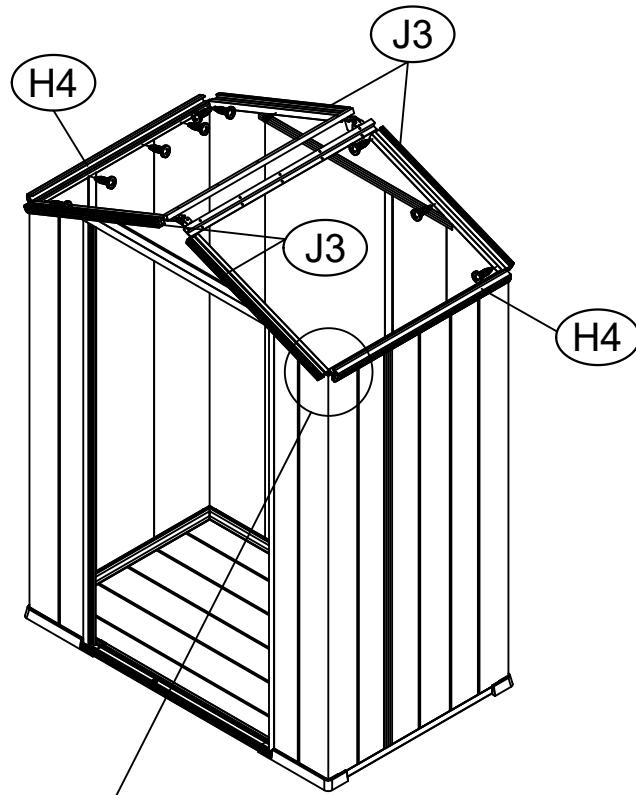
4x



ST3.8x14

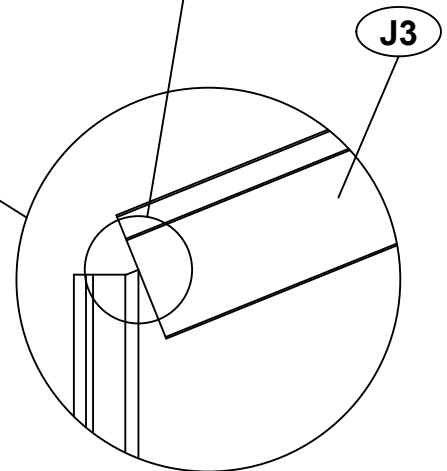
2

22x



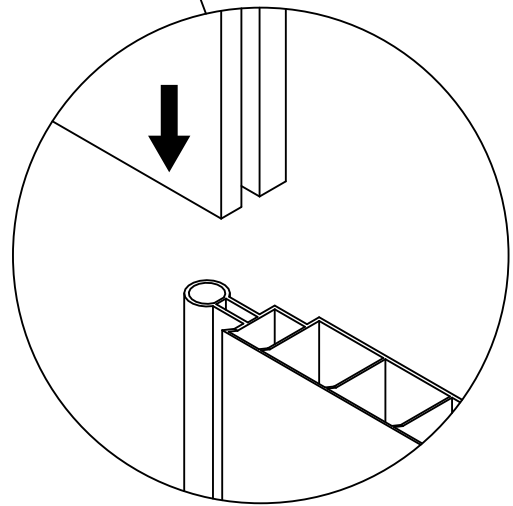
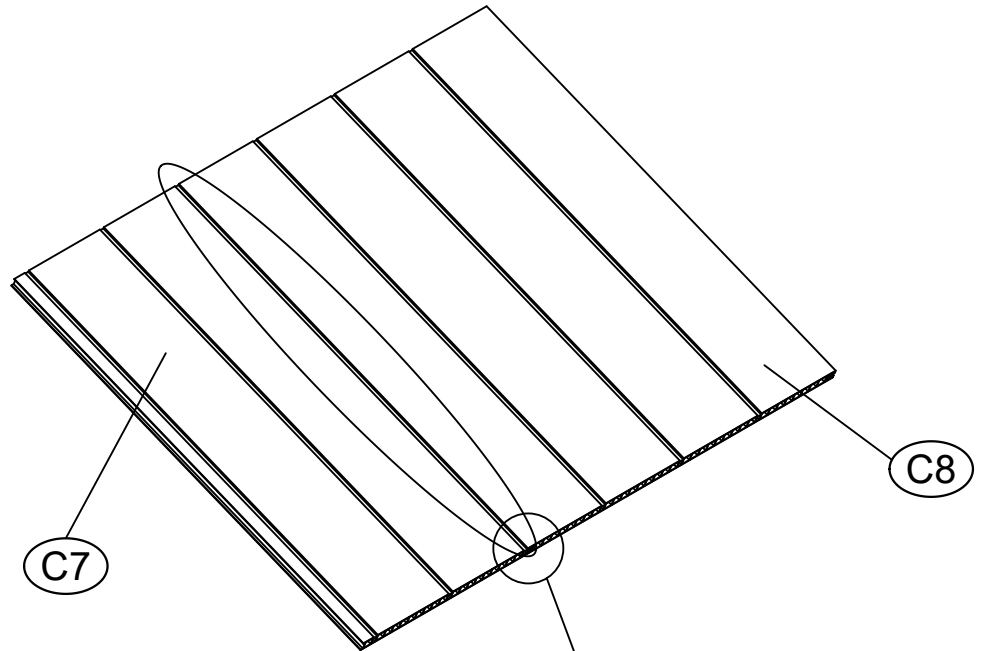
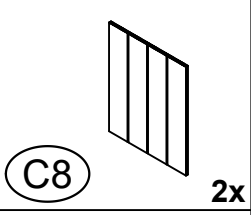
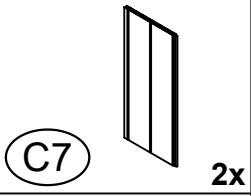
J3

#J3# is placed tightly against the bottom edge

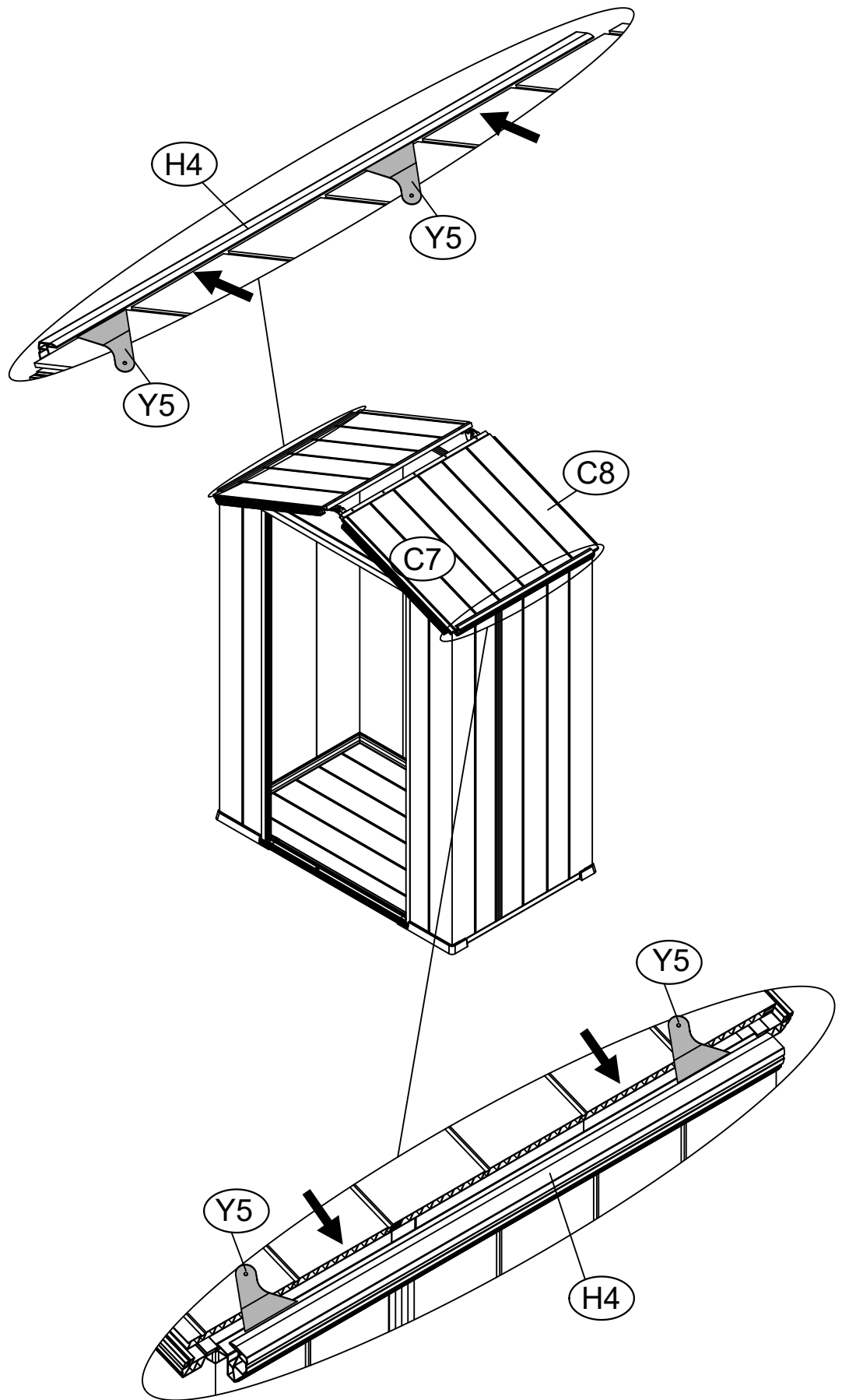


J3

<17>



<18>



<19>



Q5 1x



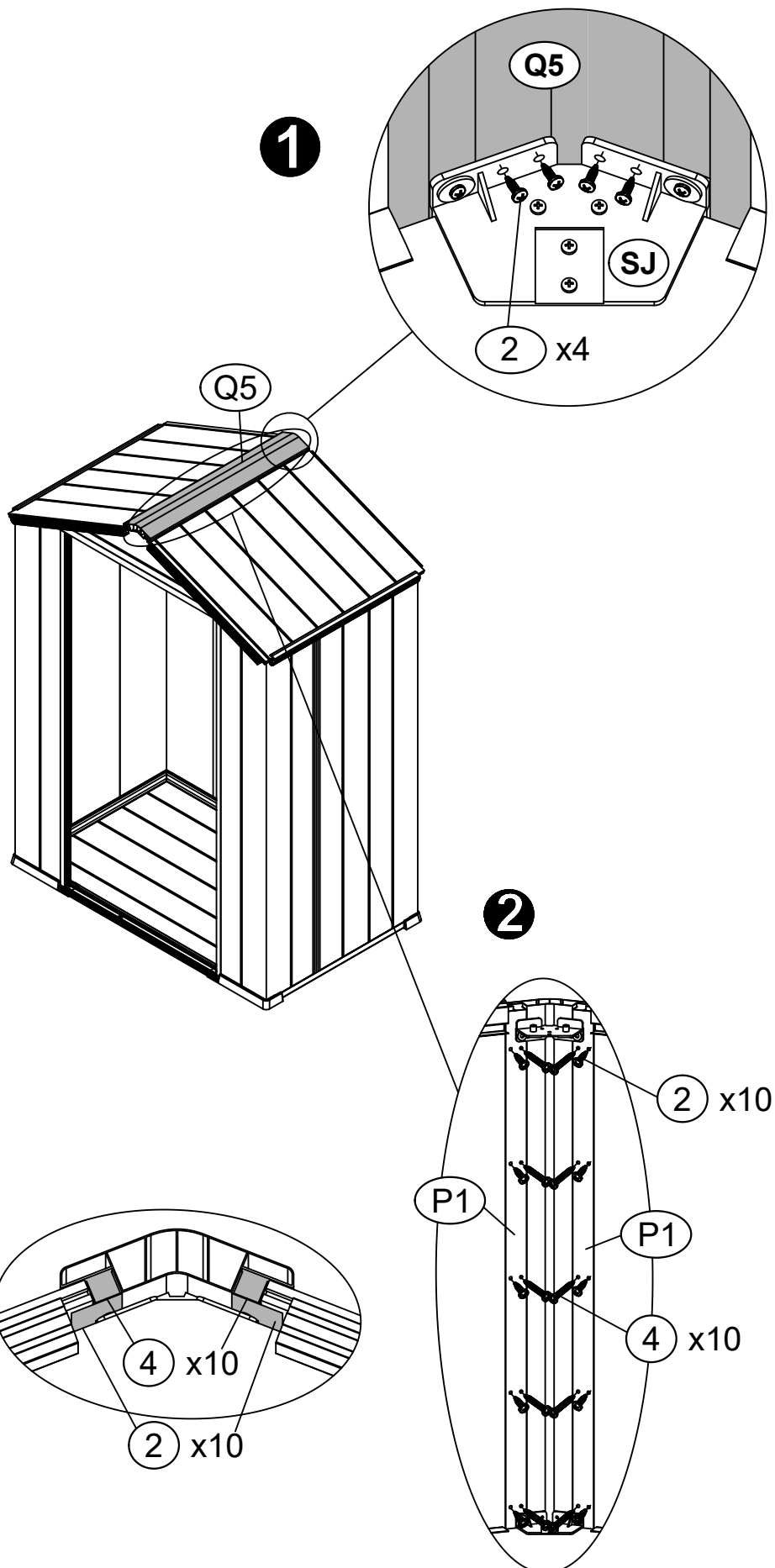
ST3.8x14

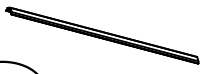
2 18x



ST4.8x32

4 10x





K3

4x

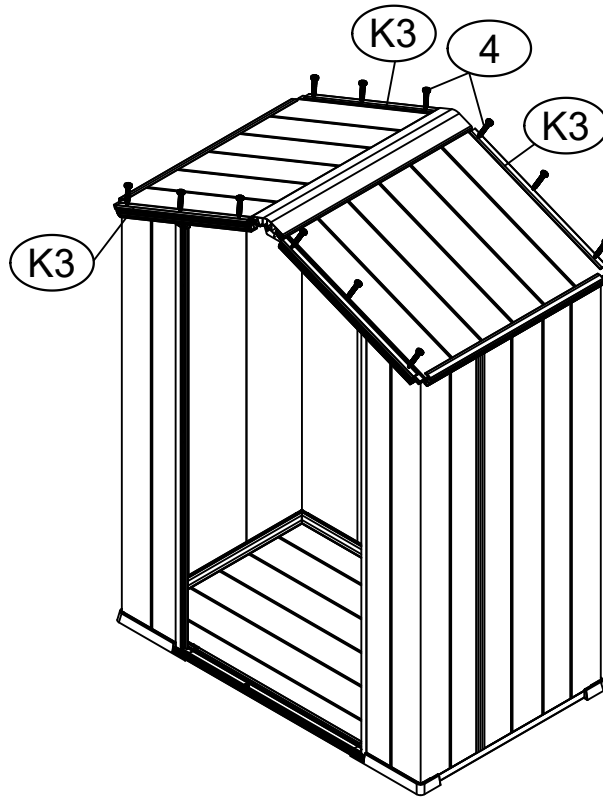
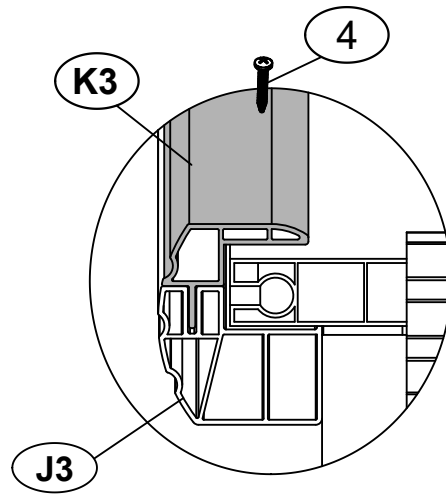


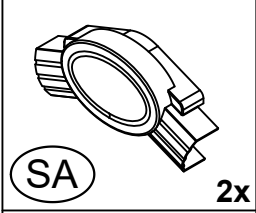
ST4.8x32

4

12x

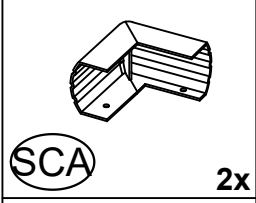
<20>





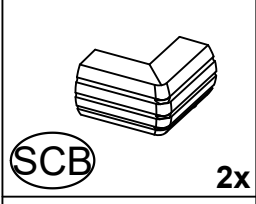
SA

2x



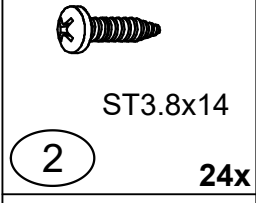
SCA

2x



SCB

2x

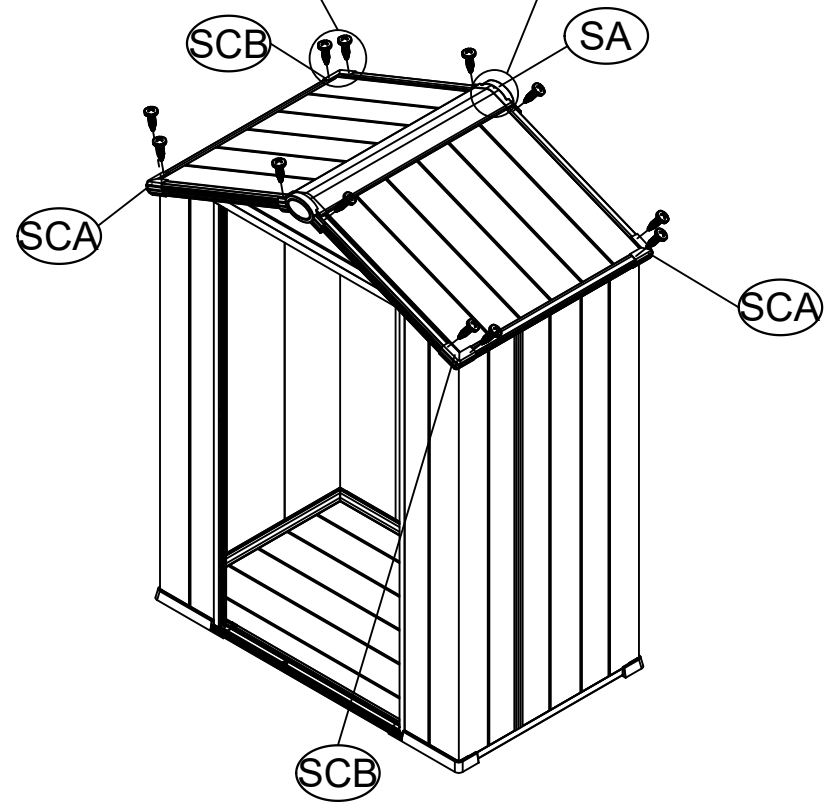
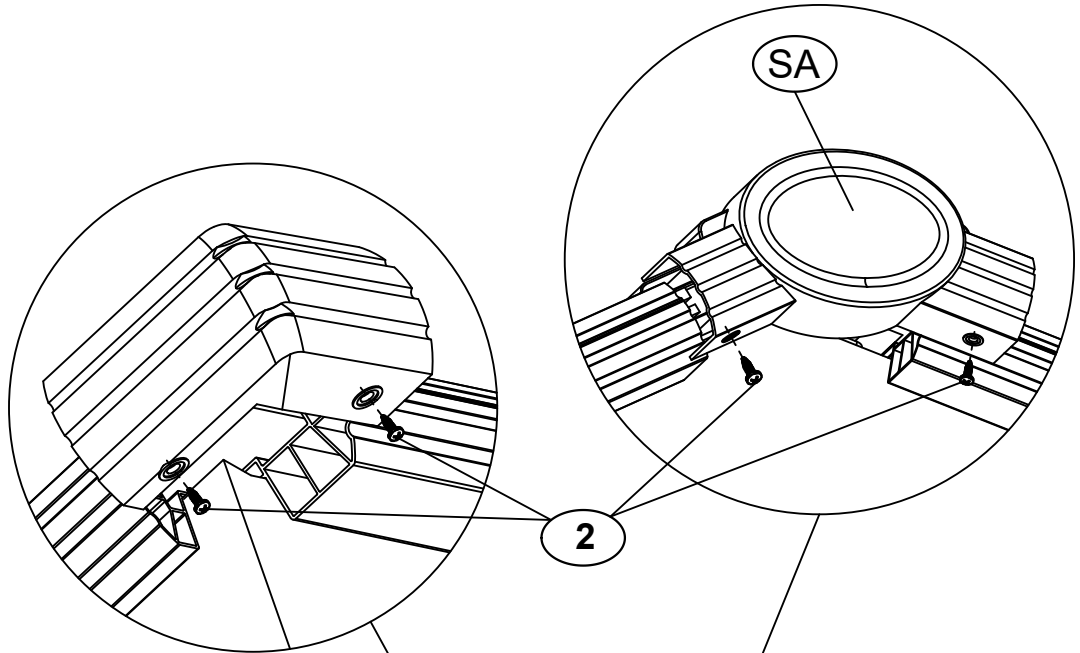


ST3.8x14

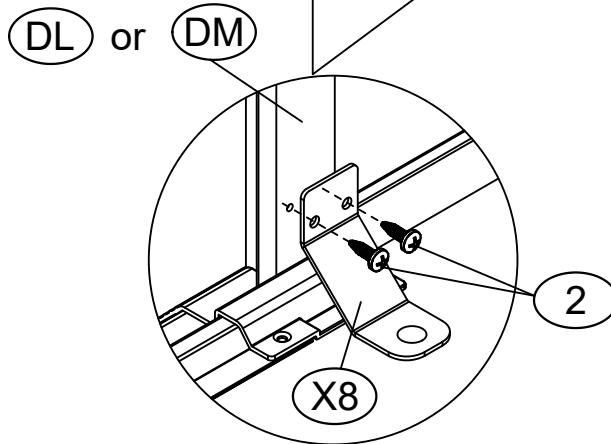
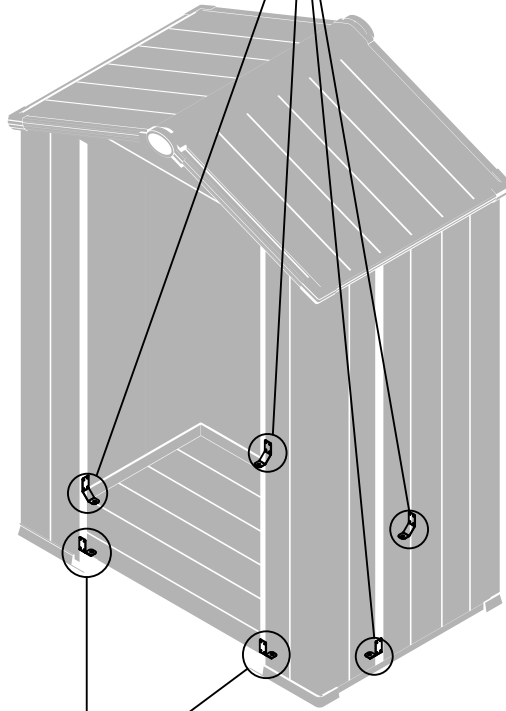
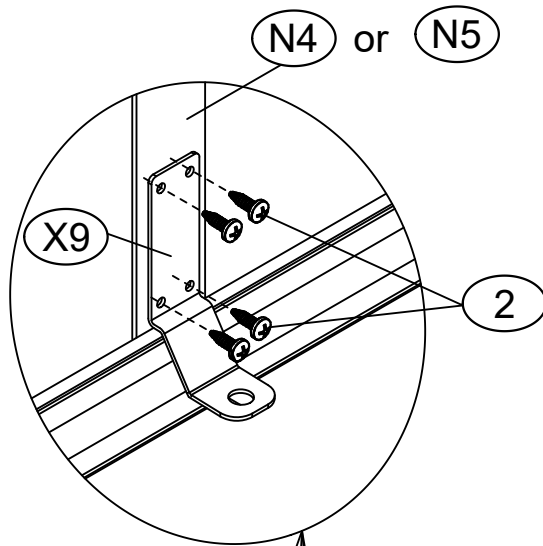
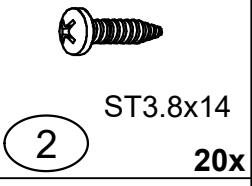
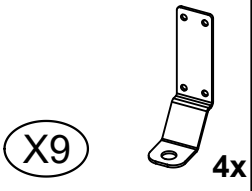
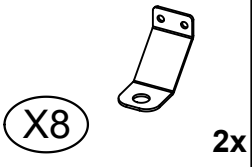
2

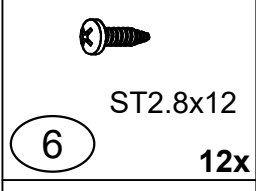
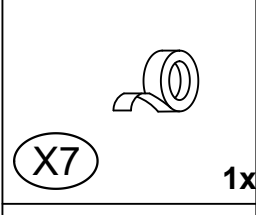
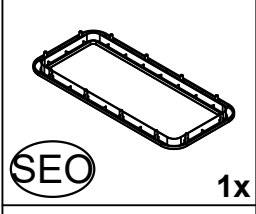
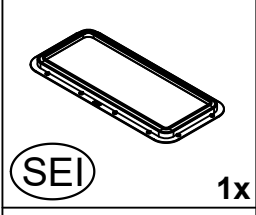
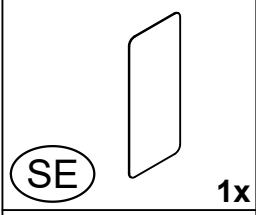
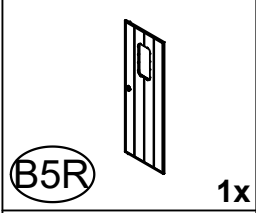
24x

<21>



<22>





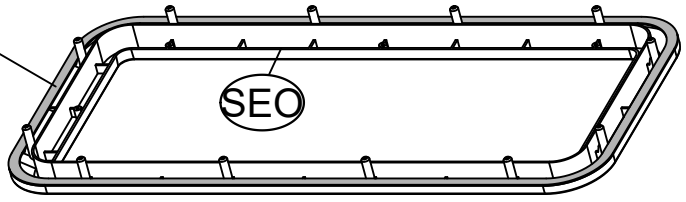
<23>

1

rubber
sealing
strip

X7

SEO



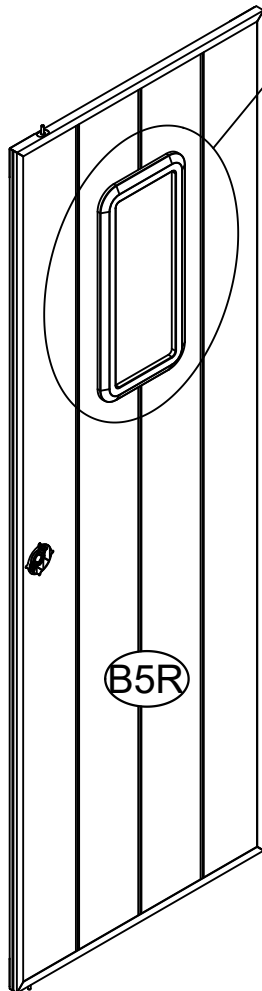
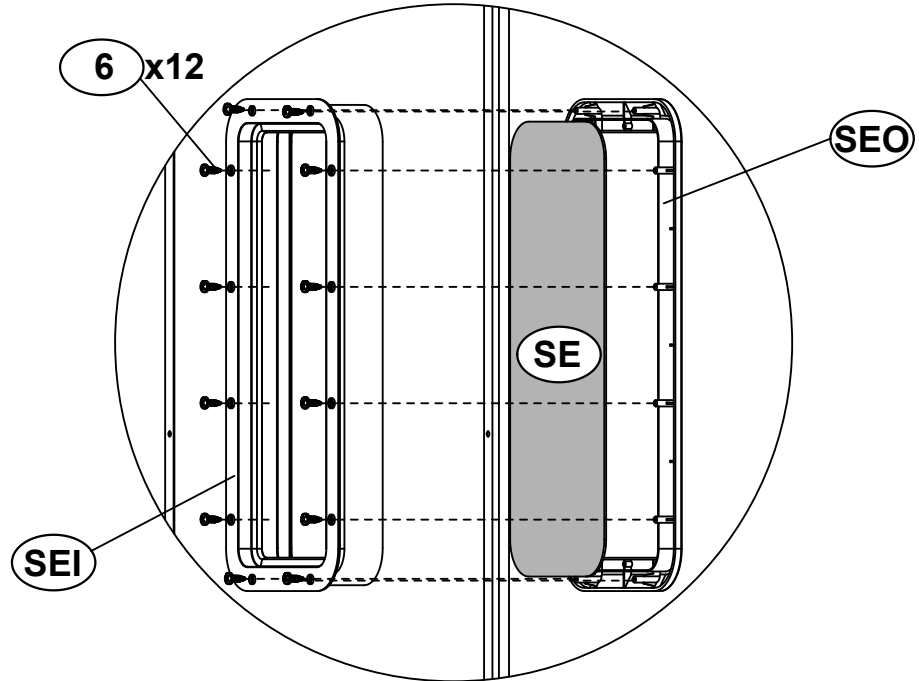
2

6 x12

SEO


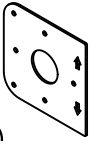

SE

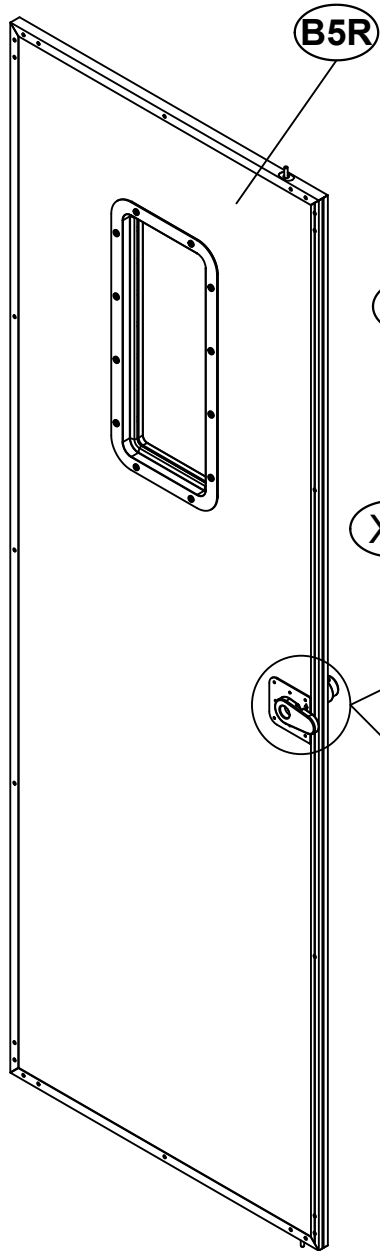
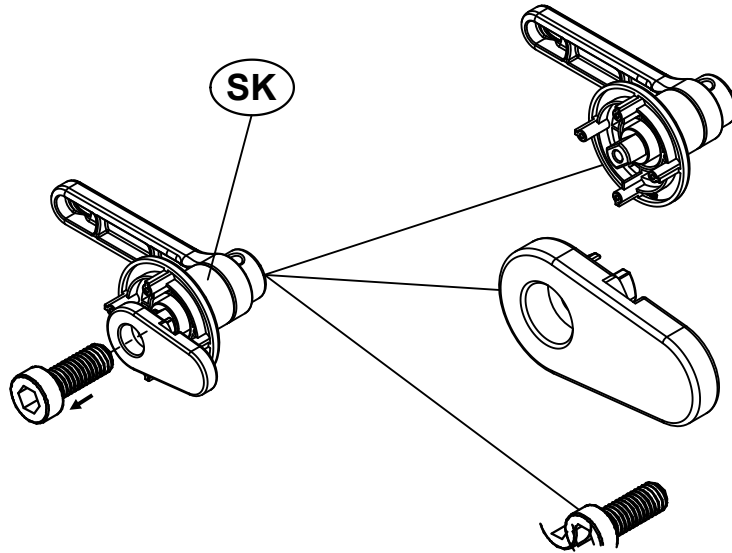
SEI



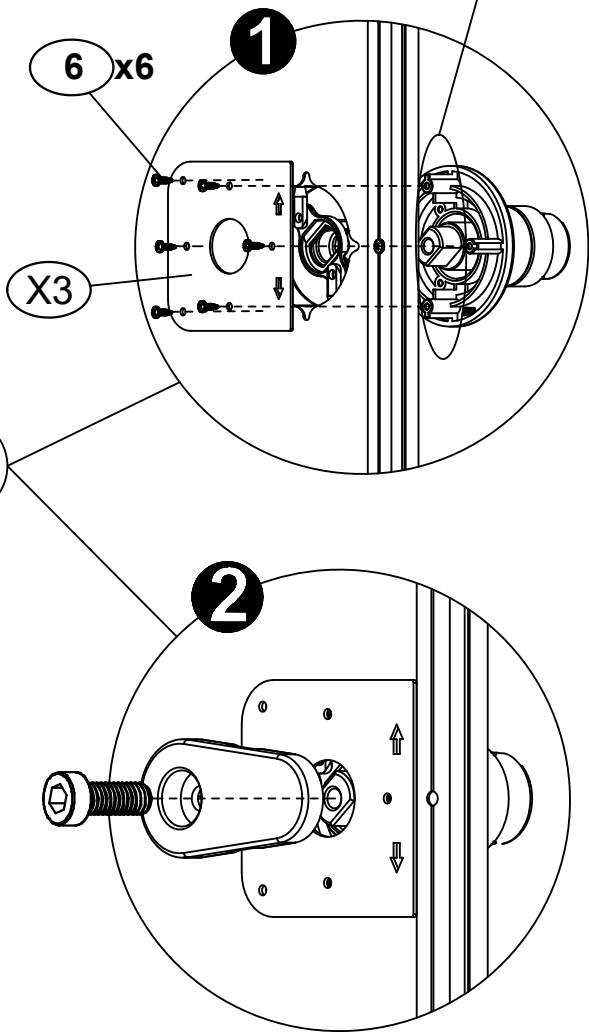
B5R

<24>

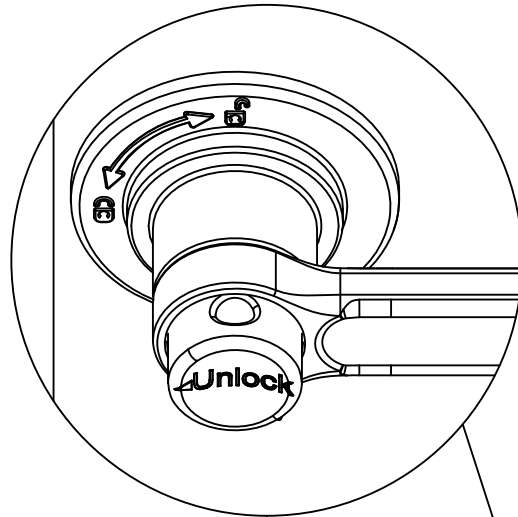
-  (SK) 2x
-  (X3) 1x
-  (6) ST2.8x12 6x



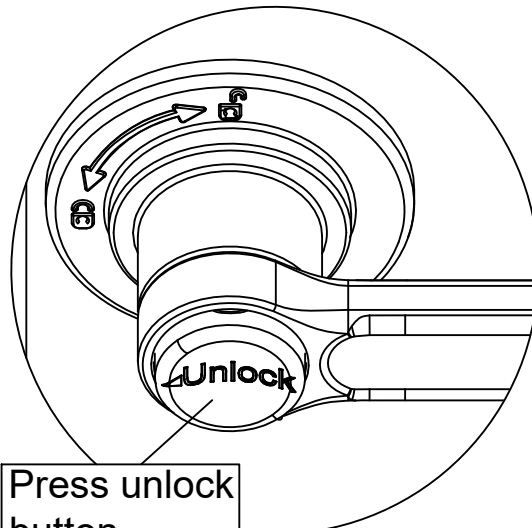
The direction of the raised steps during installation is located above and below



<25>

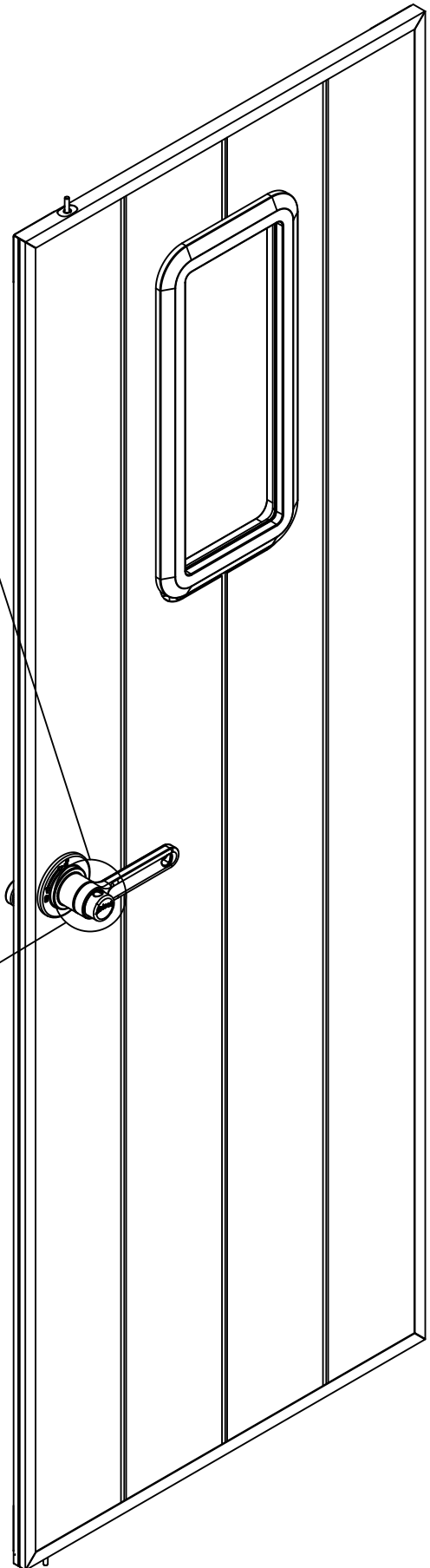


When the door lock button is in this state, the door handle is in the locked state and cannot be rotated



Press unlock button

When the door lock button is in this state, the door lock is unlocked and can be opened by pressing the doorknob

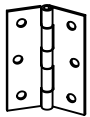




ST3.8x12

3

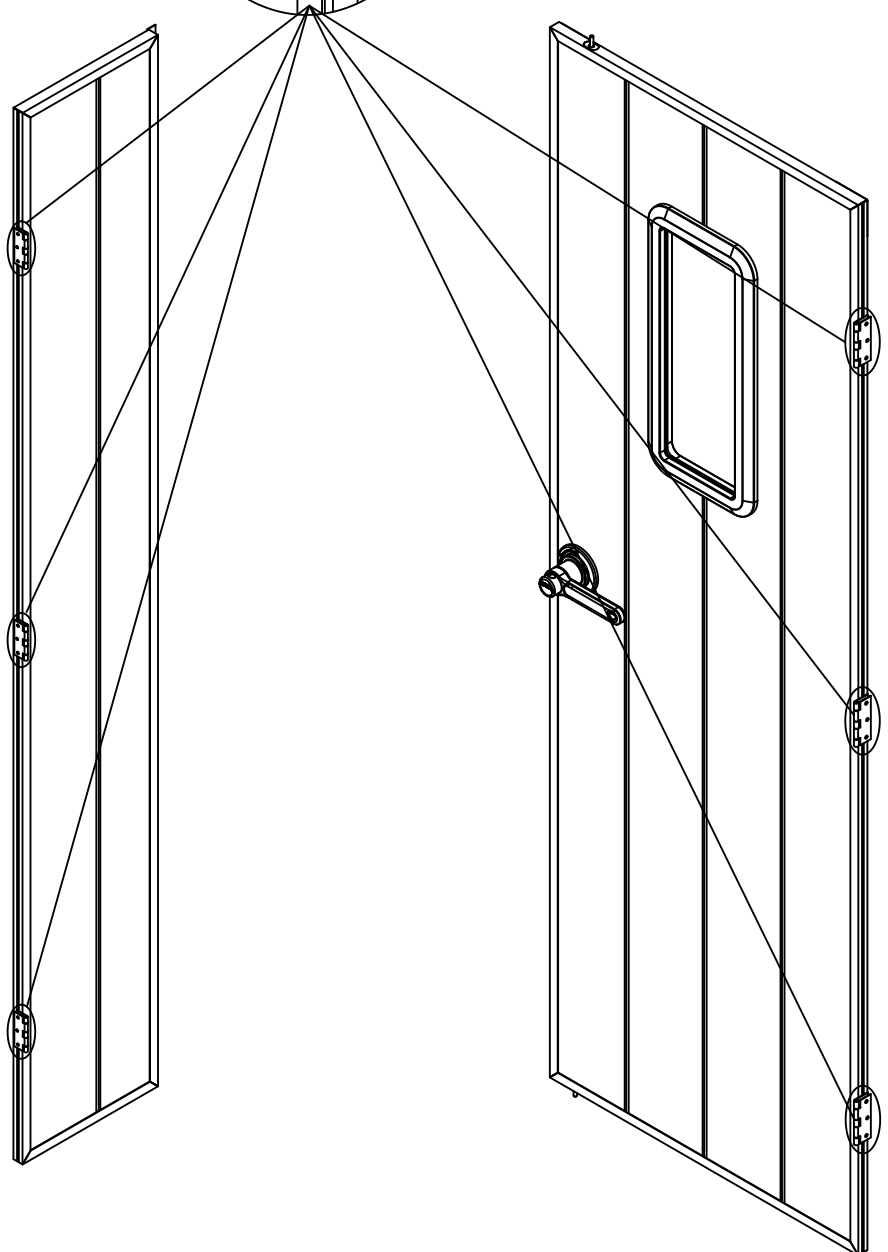
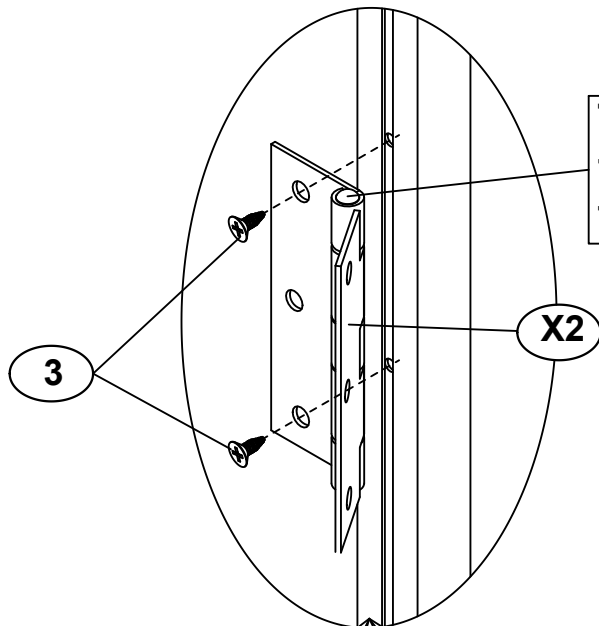
12x



X2

6x

<26>



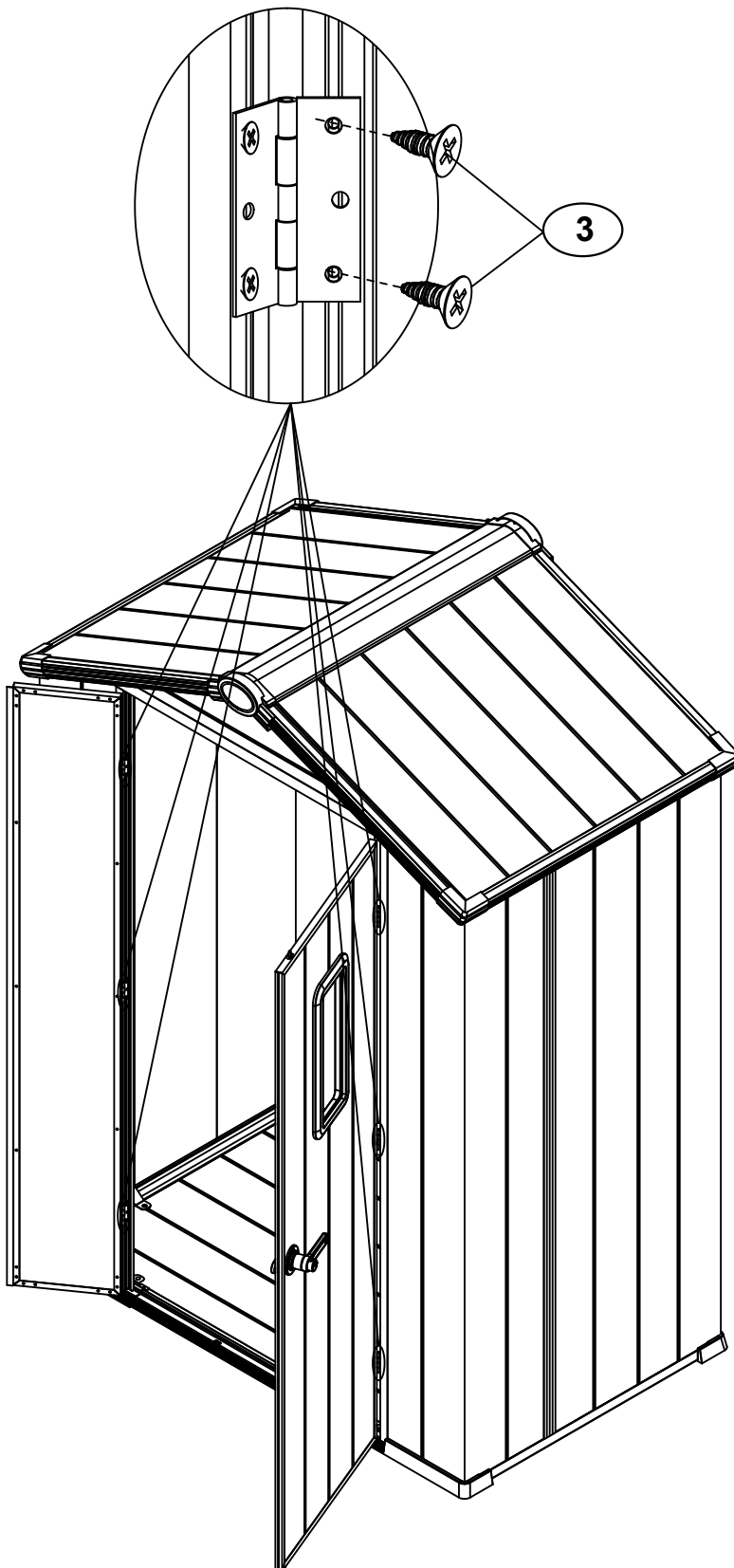


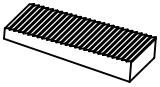
ST3.8x12

3

12x

<27>

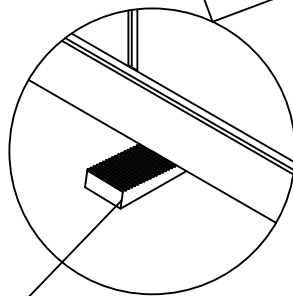
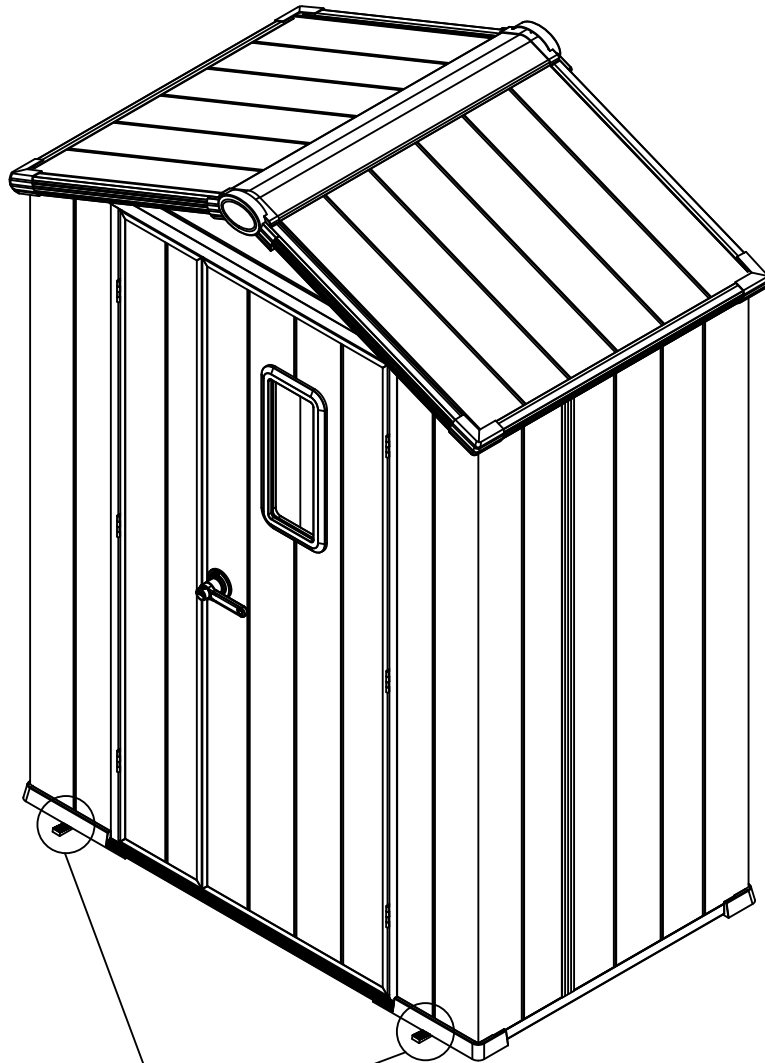




<28>

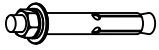
SP

2x



SP

If the assembled rear door frame is tilted, the #SP# part can be placed on the left or right side of the tool house as shown.



M8x80
6X

12

<29>

