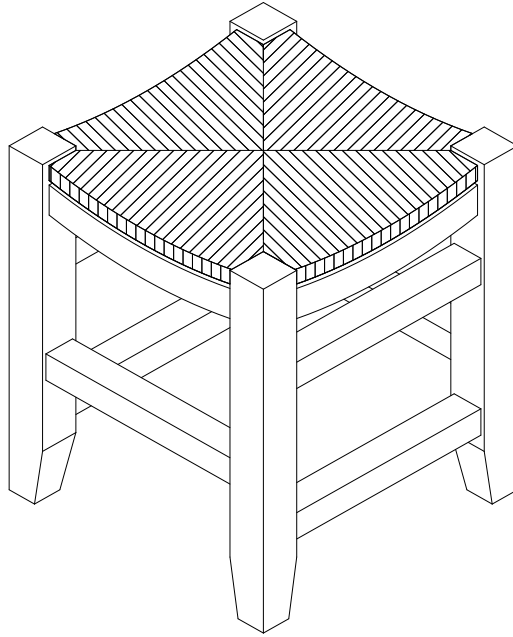


ASSEMBLY INSTRUCTIONS

18" HIGH STOOL W/RUSH SEAT



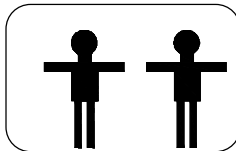
REPLACEMENT PARTS

Please do not contact the company purchased from as we can help you faster.

Order replacement parts and hardware at "boltonfurniture.com"

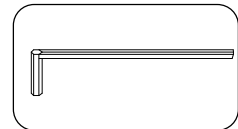


. Use of power tool to assemble this product will invalidate any claim and damage this product making it unsafe!!!
. Please assemble on a clean soft surface to avoid damage.

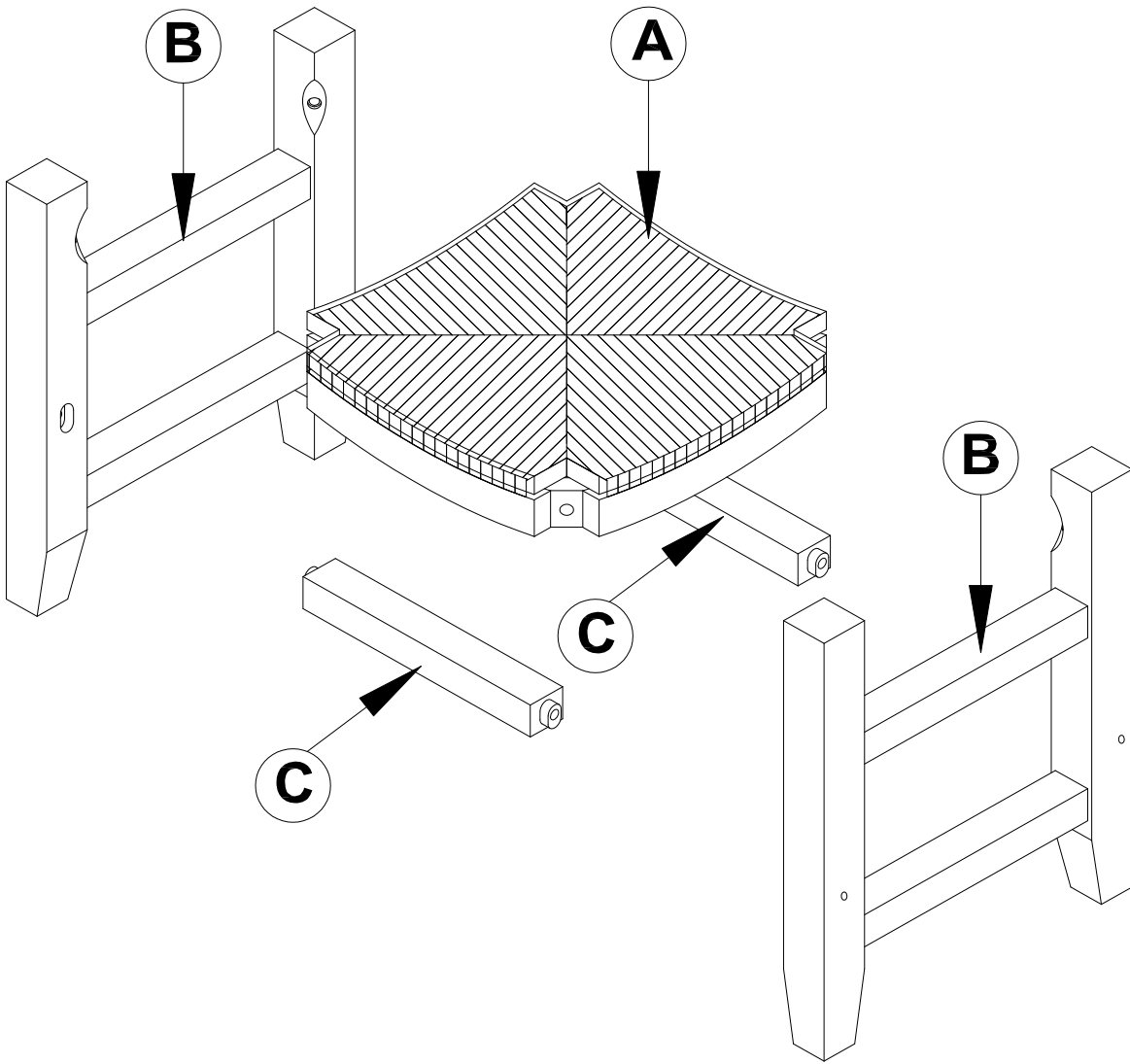


30 minutes

Tool Included




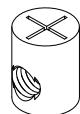
Part List-18" High Stool W/Rush Seat




Identifying the hardware-Identify the hardware using the illustrations below.

D  04
M6X45mm

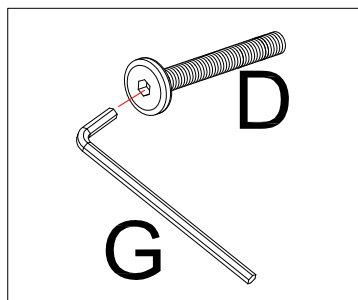
E  04
M6X100mm

F  04


G  01

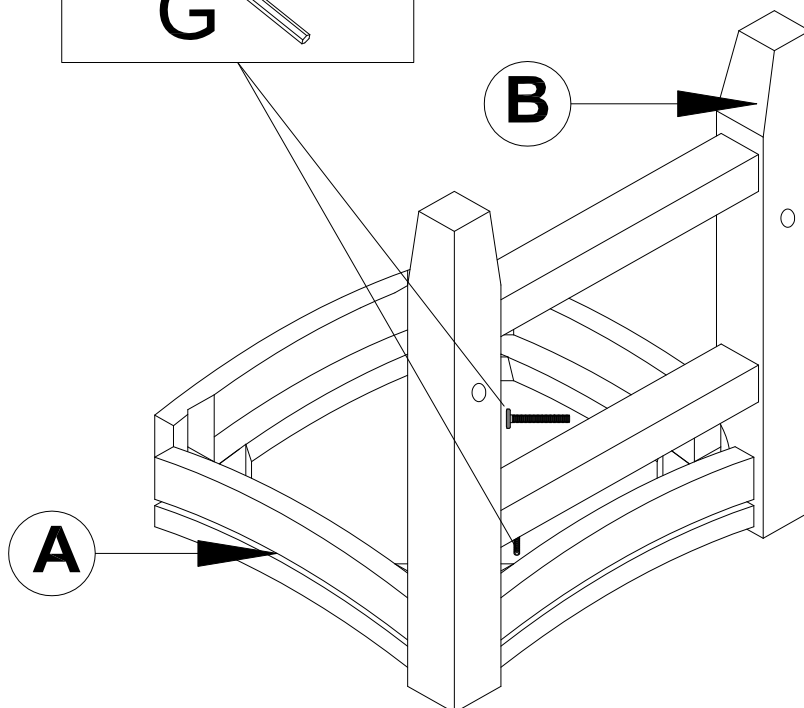
H  01
Glue

STEP 1



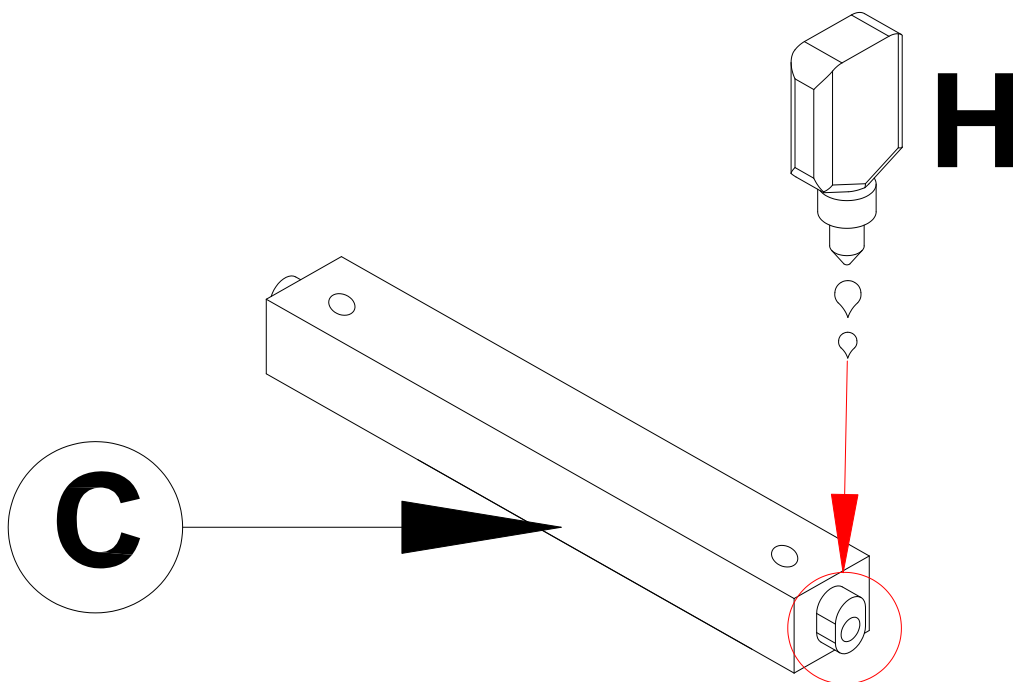
D  02
M6X45mm

G  01



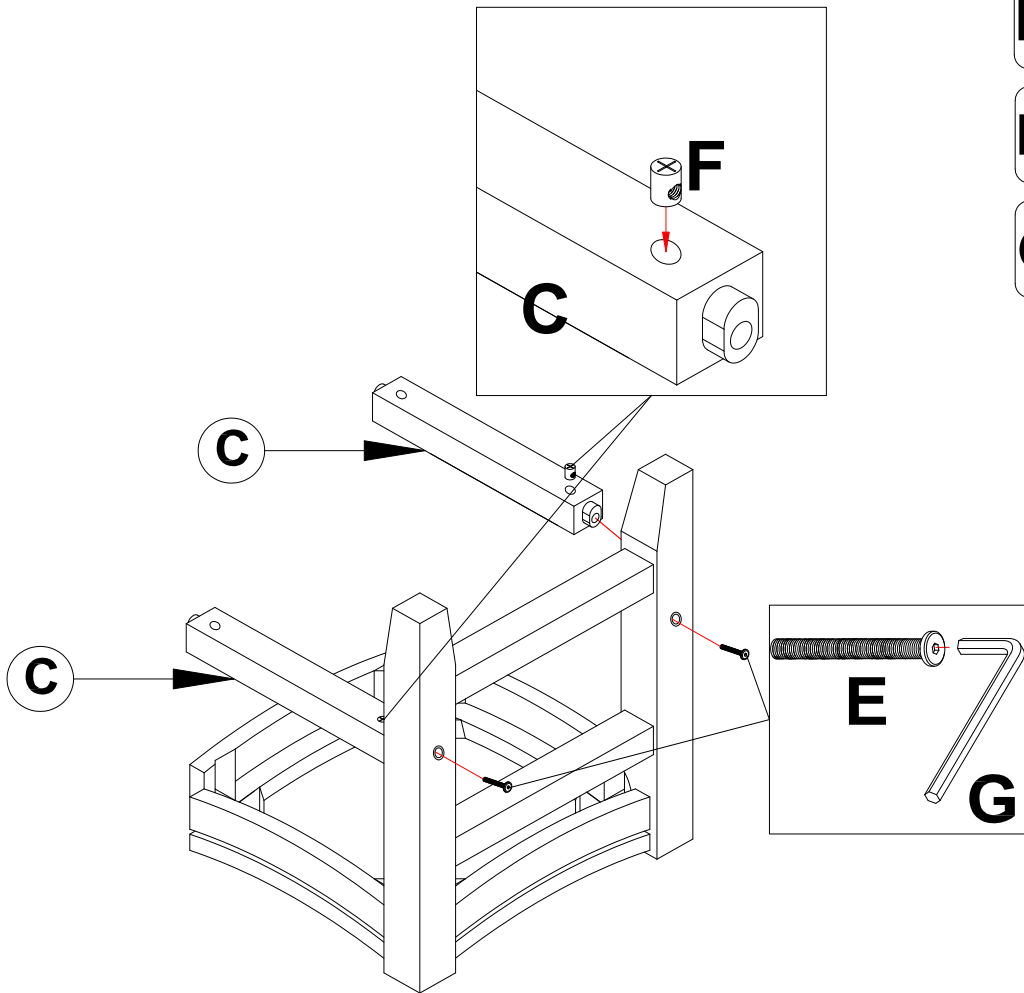
STEP 2

H  01
Glue



STEP 3

- E 02
M6X100mm
- F 02
- G 01



STEP 4

- D 02
M6X45mm
- E 02
M6X100mm
- F 02
- G 01

