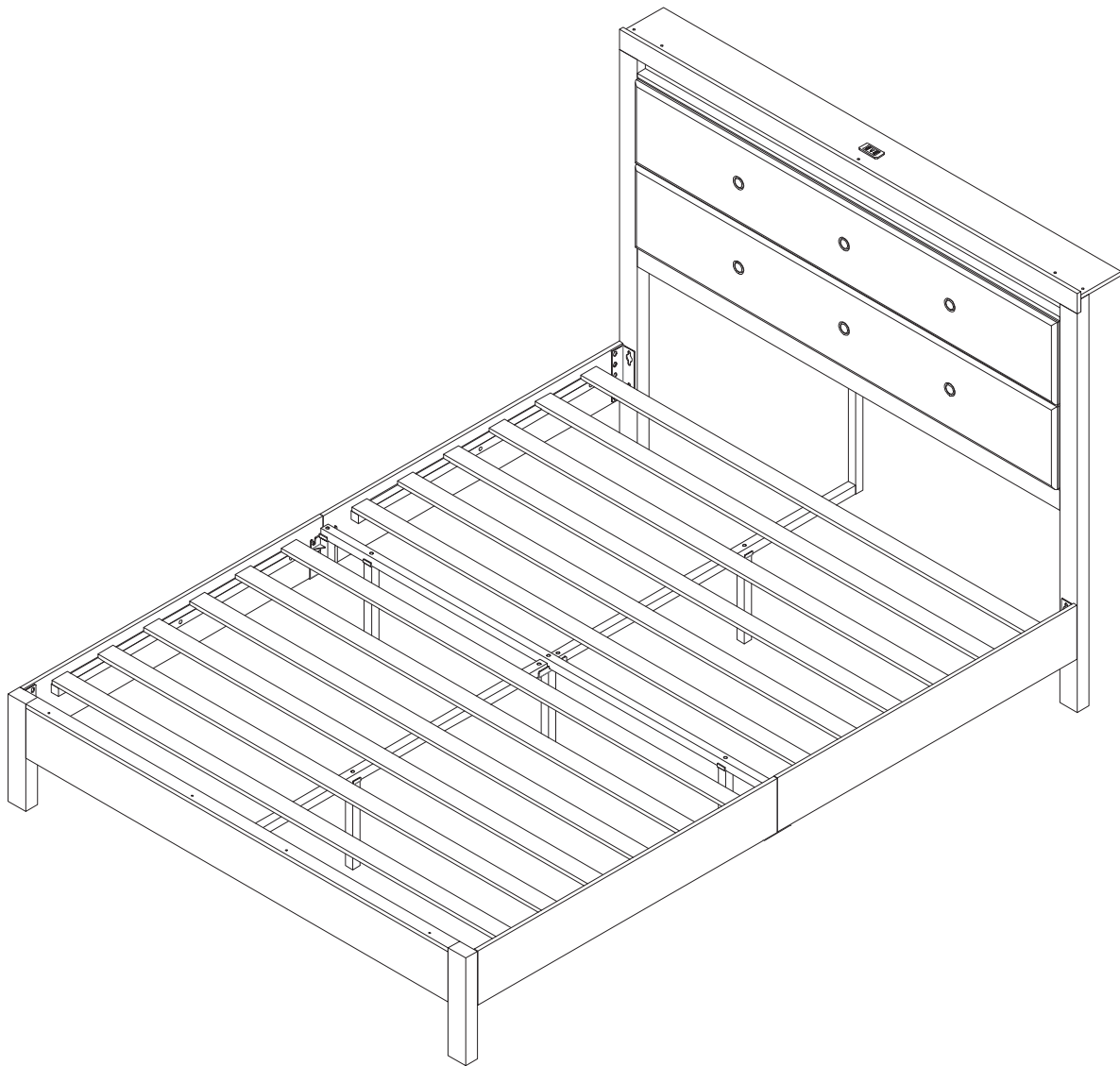


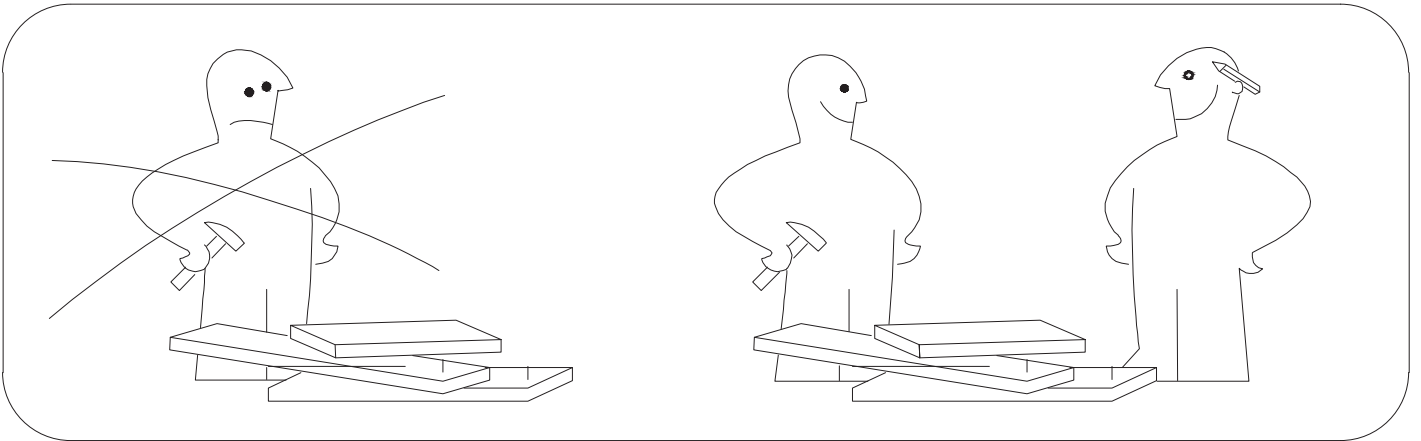
ASSEMBLY INSTRUCTION



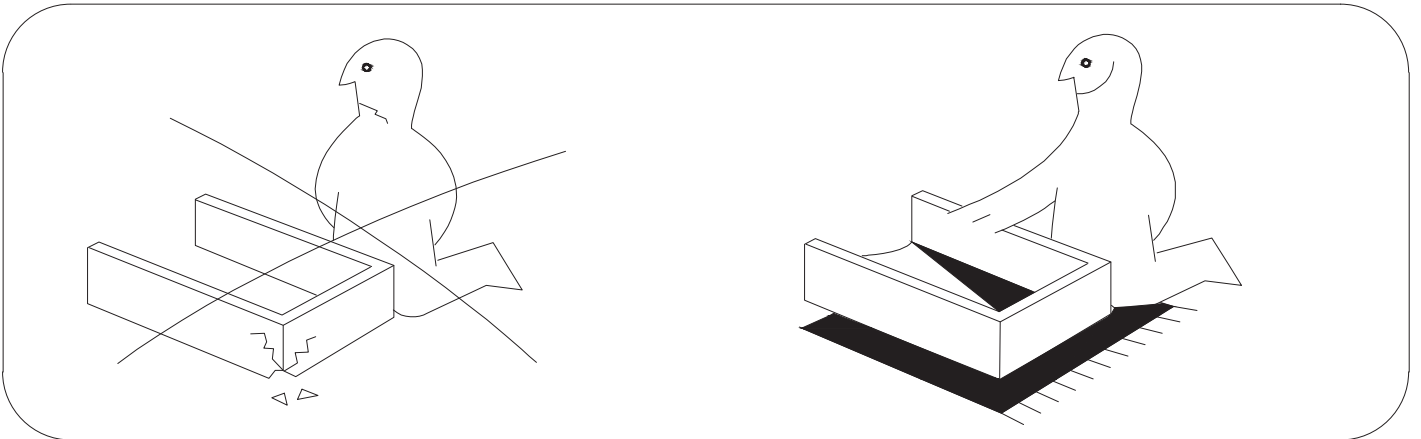


WARNING

Need Two Or More People To Complete

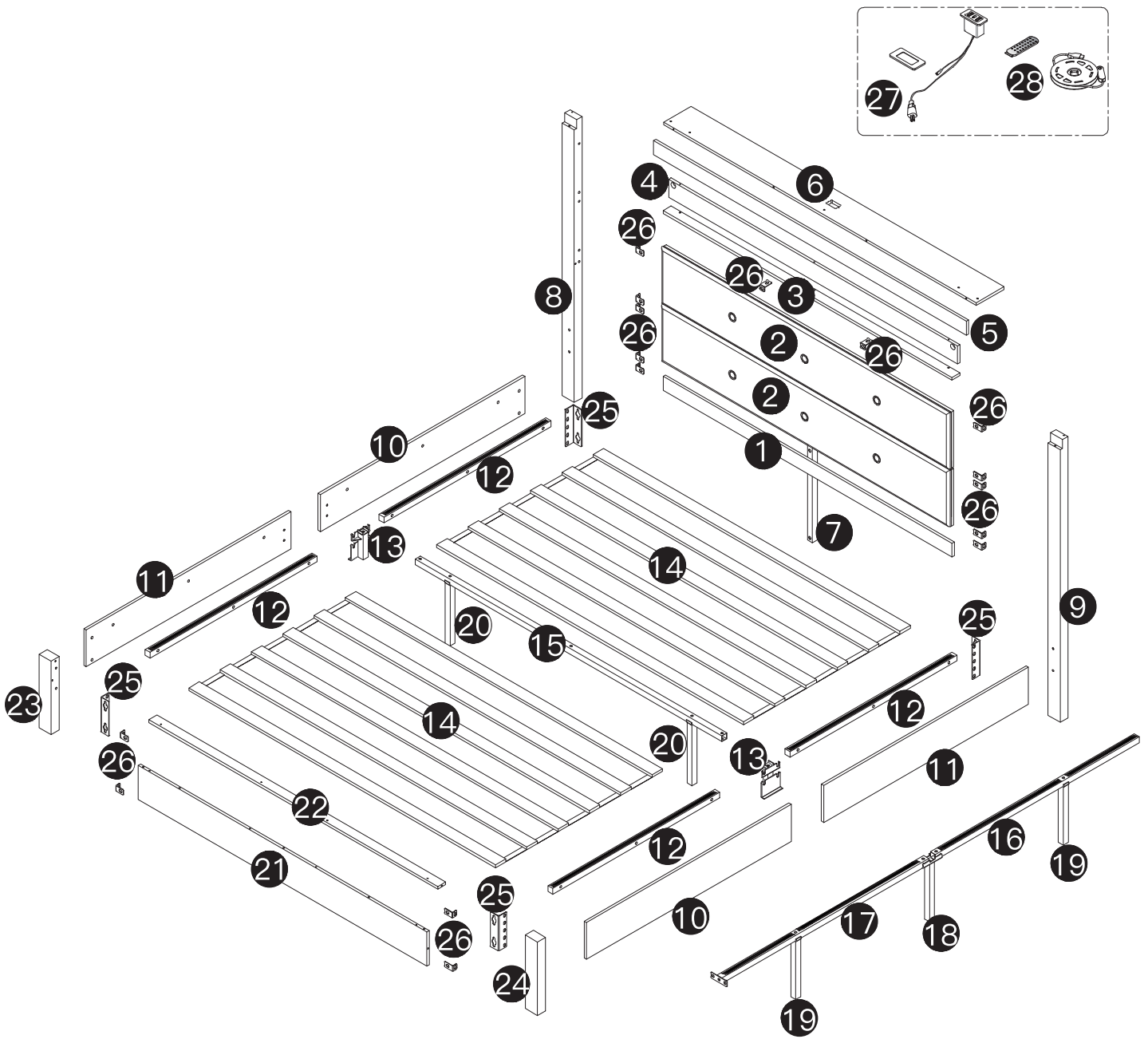


Assemble Item On a Clean Flat Surface



- Please check you have all hardware before assembling.
- Please ensure you have the name of the item and hardware part required and quantity.
- If you have any questions, please contact us by original purchase platform. we will reply you ASAP.

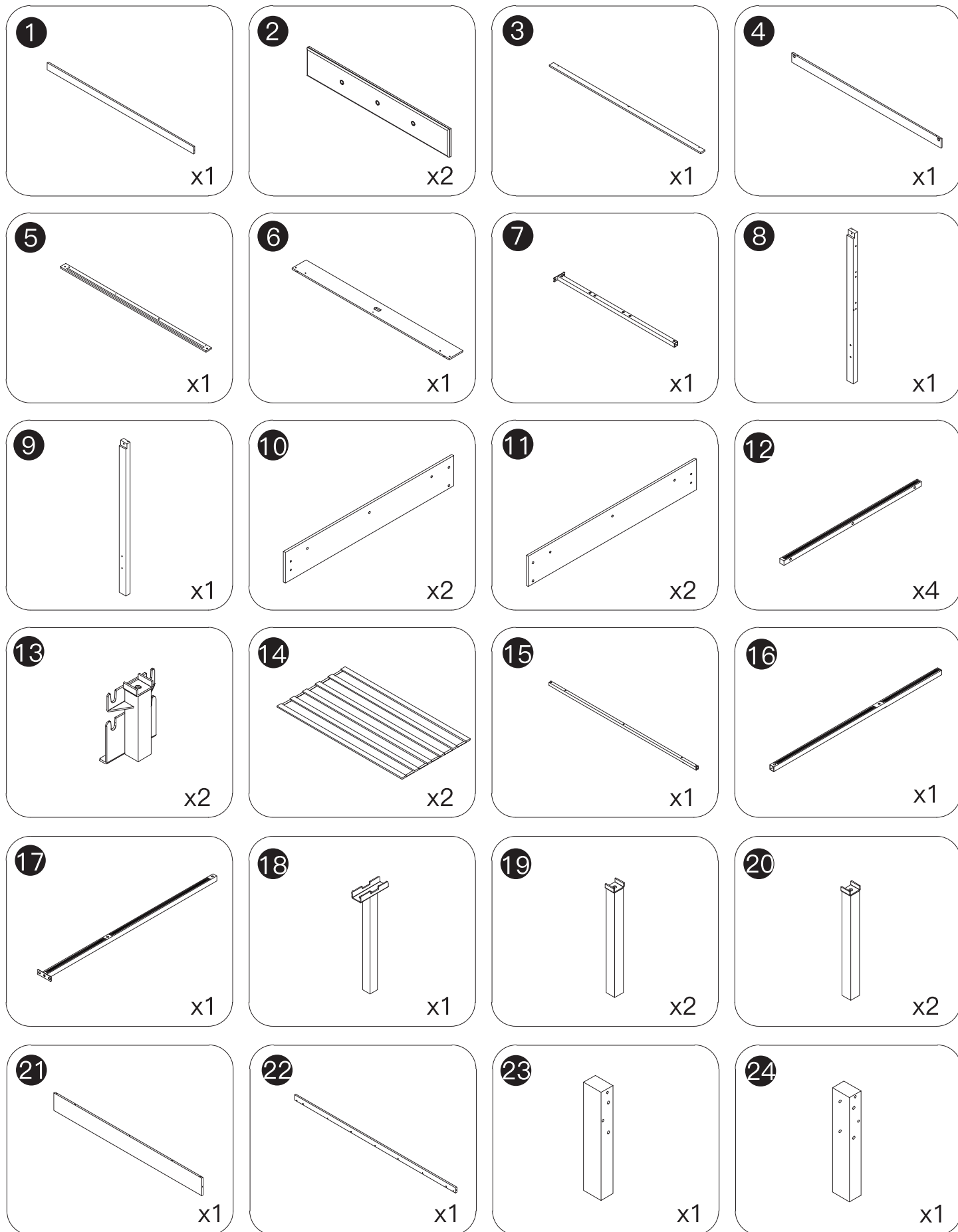
EXPLODED DRAWING:

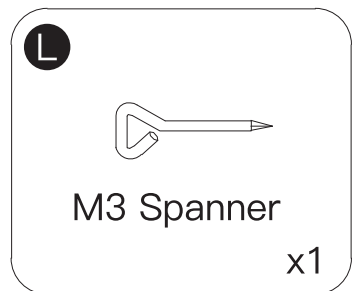
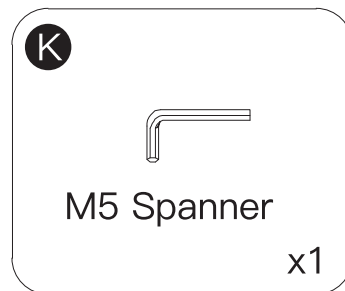
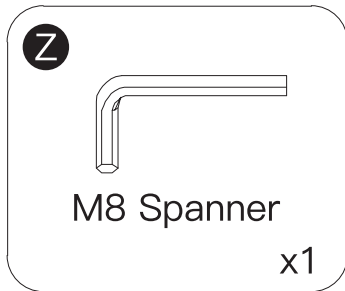
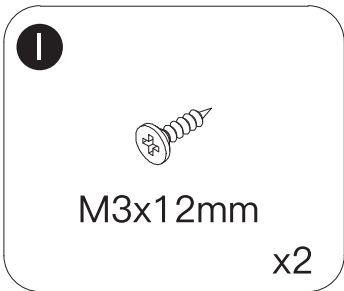
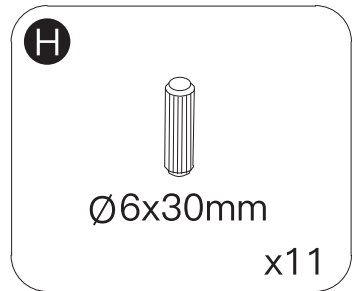
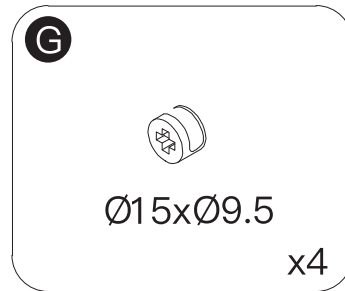
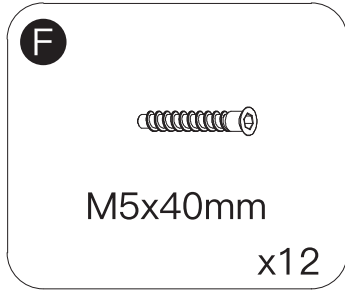
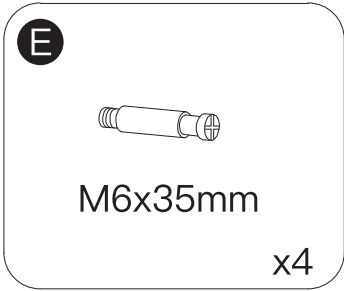
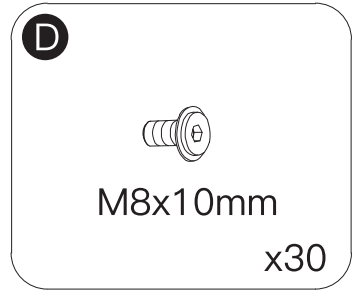
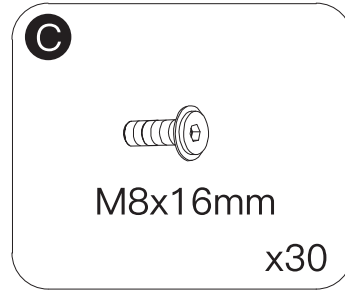
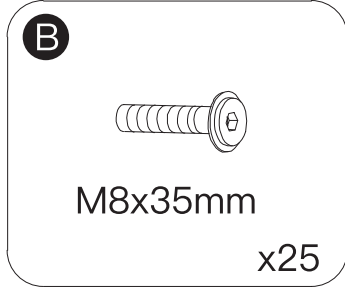
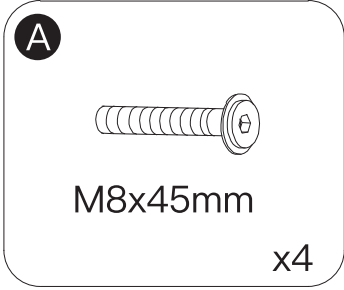
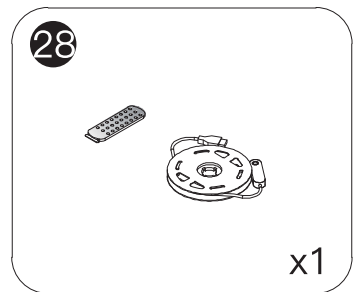
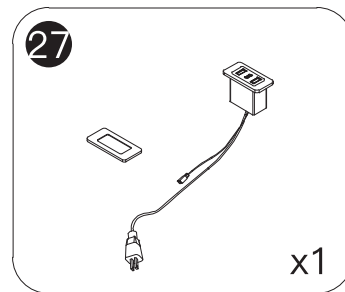
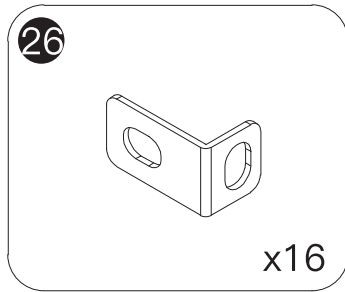
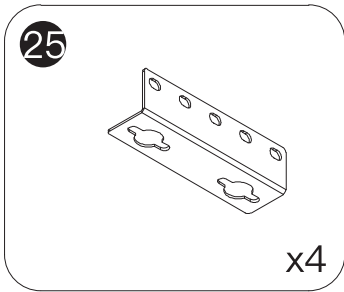


Please check all parts and accessories according to the parts list before assembling, make sure all contents are sufficient and in good condition.

If there is any parts missing or defective, please contact us with purchase platform message immediately to get replacement parts.

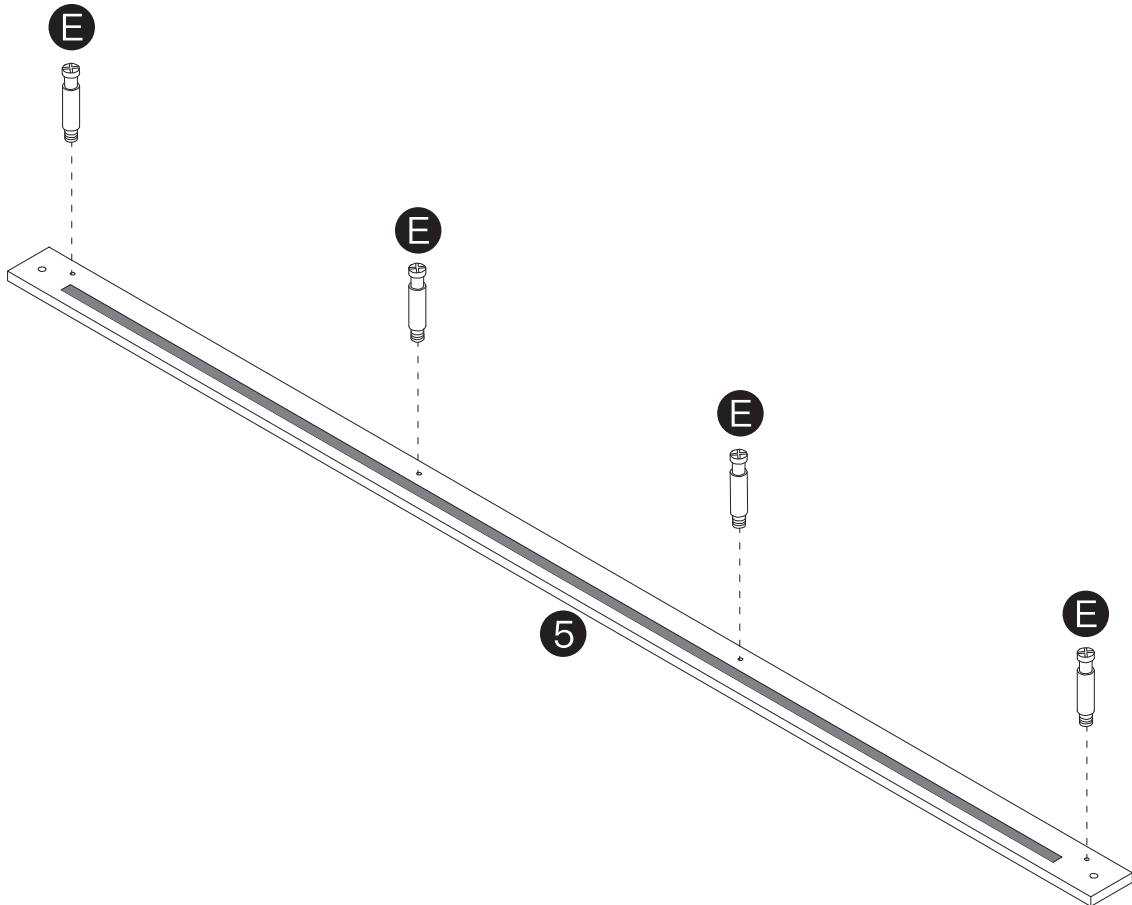
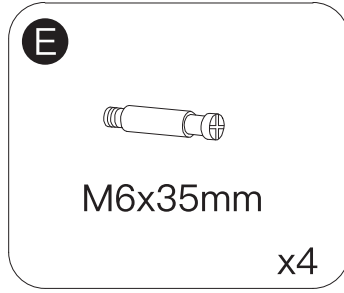
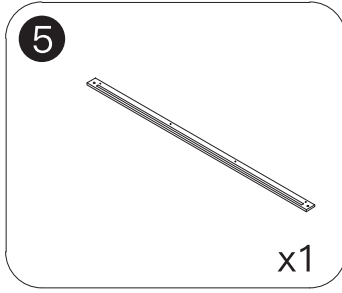
PARTS:



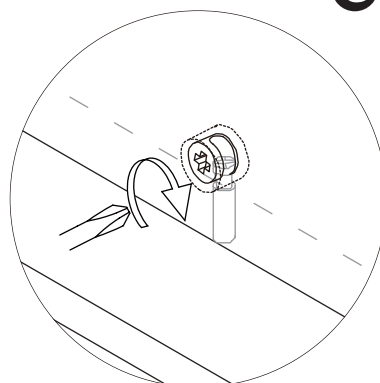
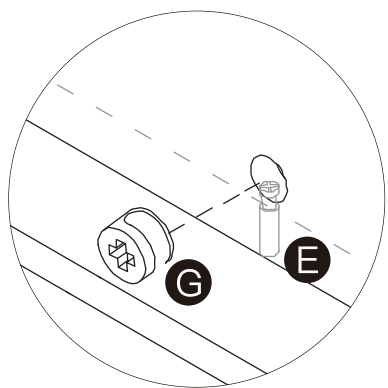
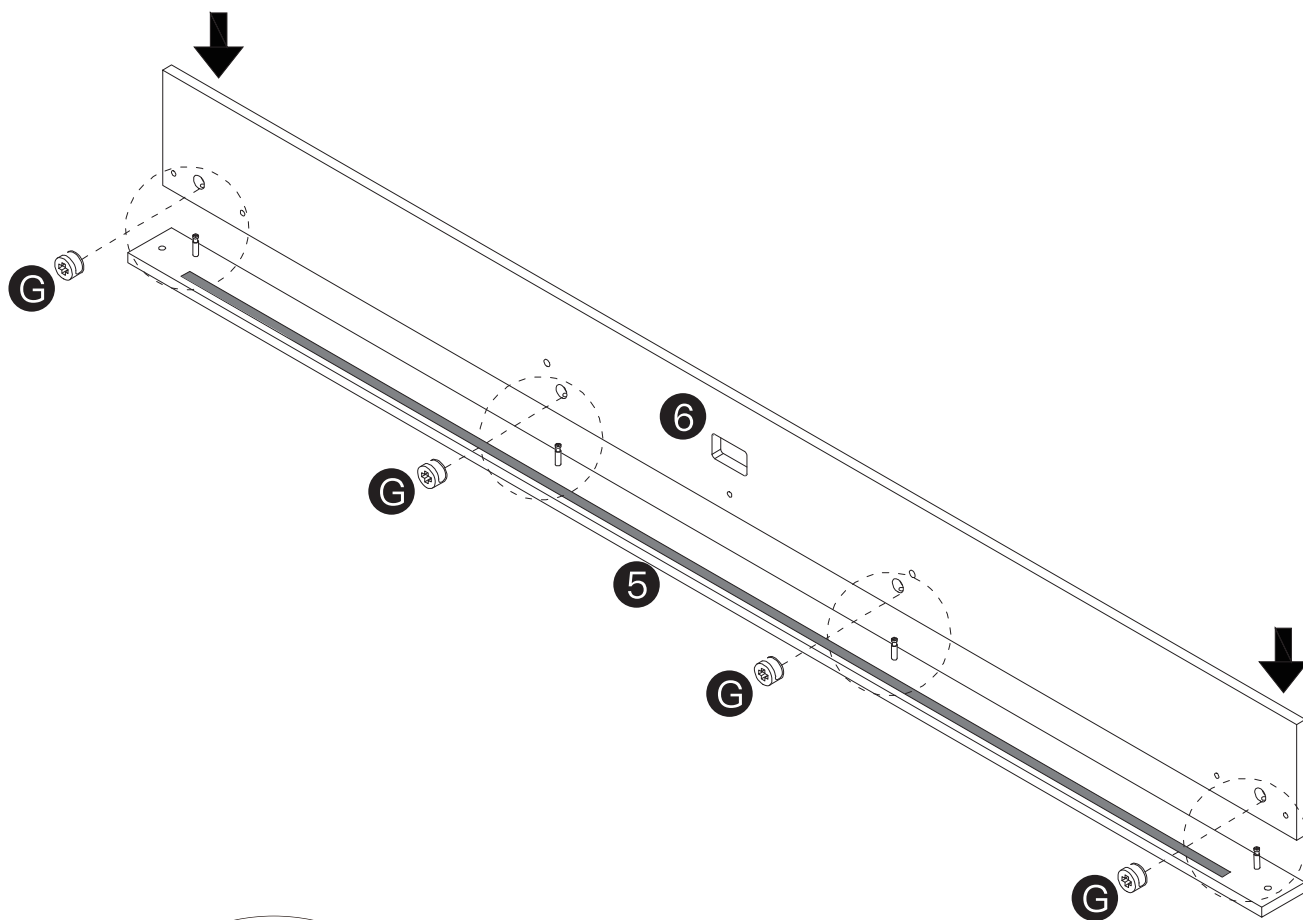
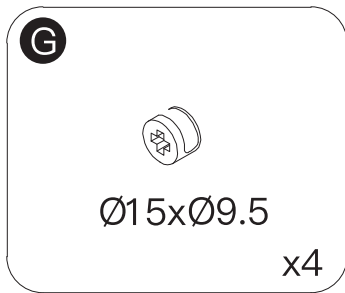
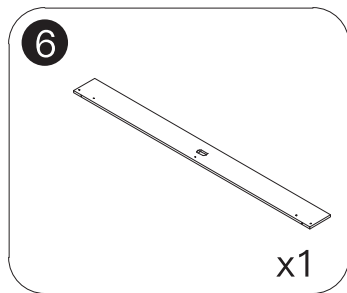


HOW TO INSTALL

STEP 1



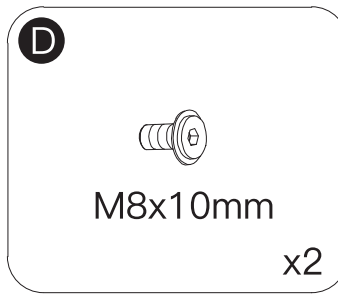
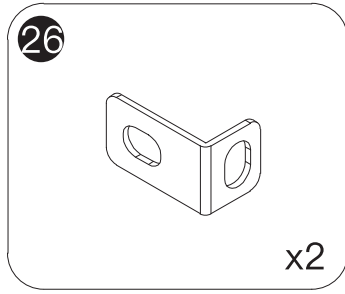
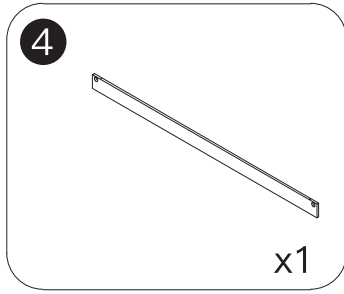
STEP 2



(1) Please ensure that part **E** is facing the direction of the gap of part **G**.

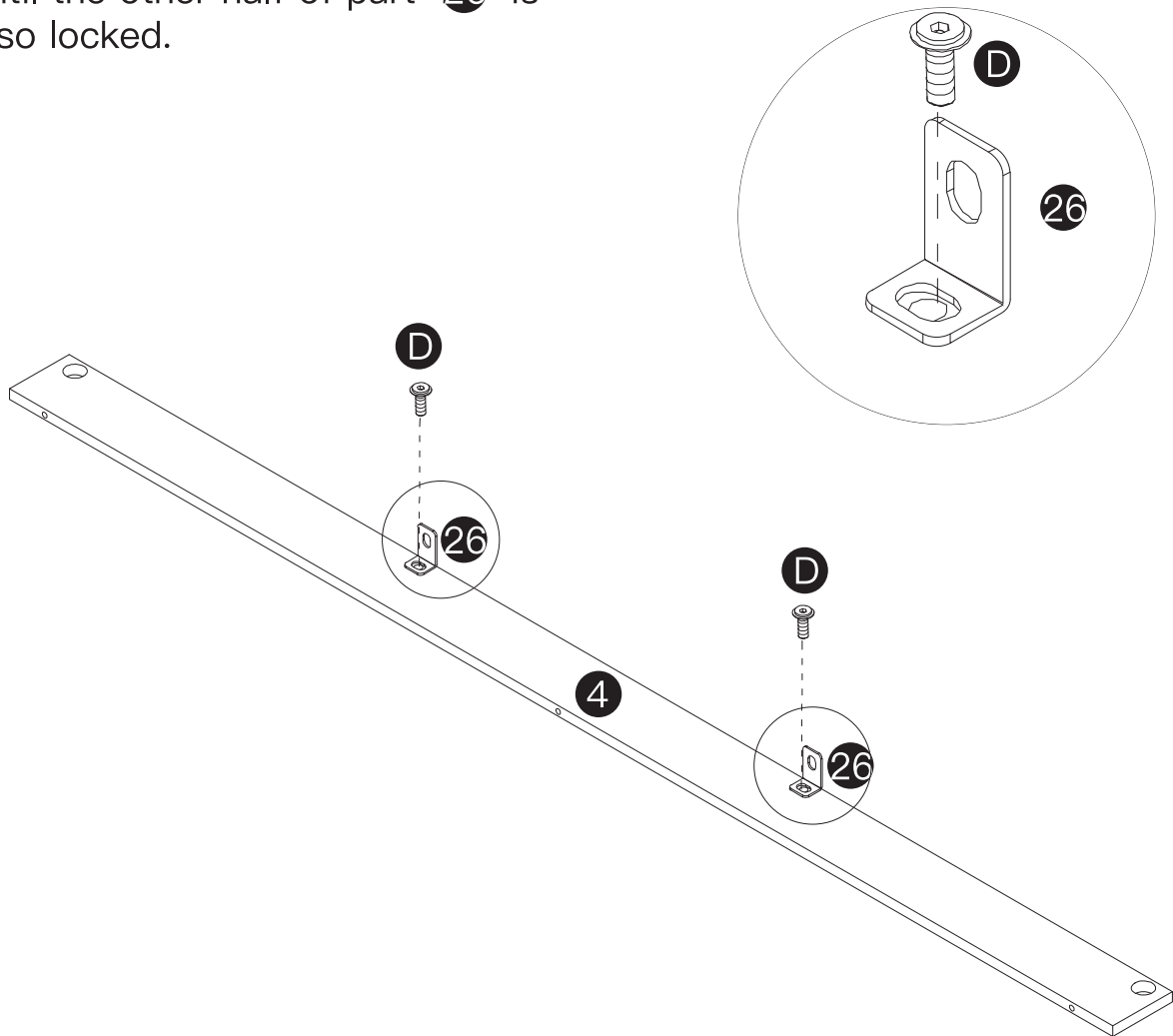
(2) When locking part **G**, please ensure part **E** is **fully** inserted.

STEP 3

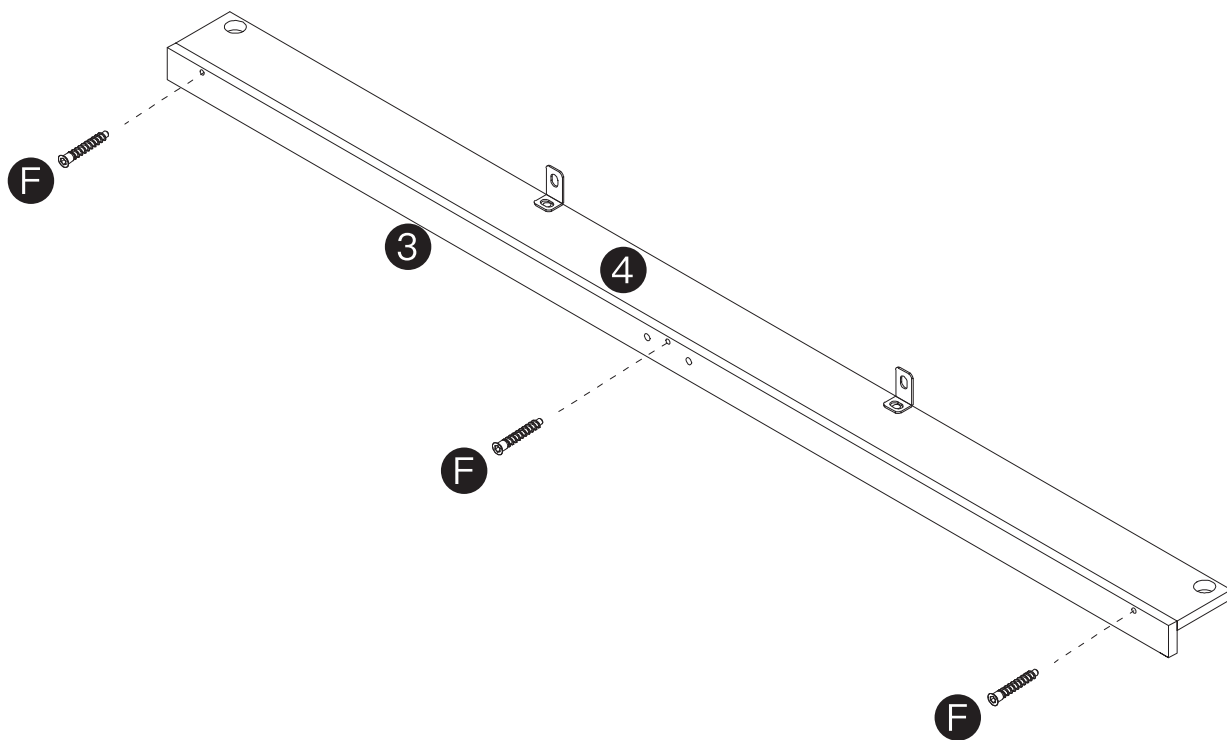
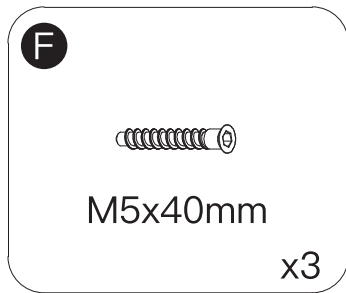
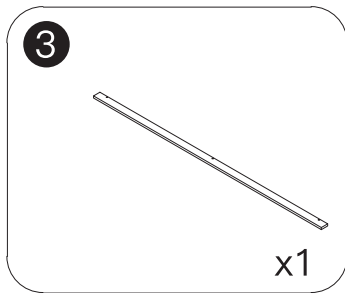


NOTICE:

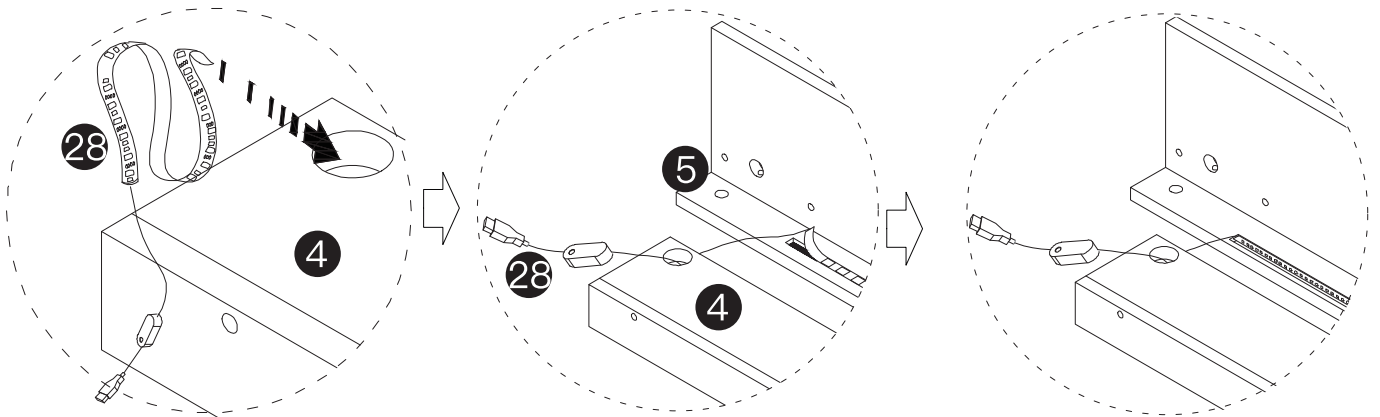
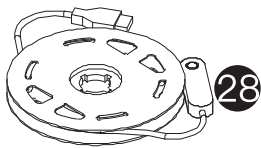
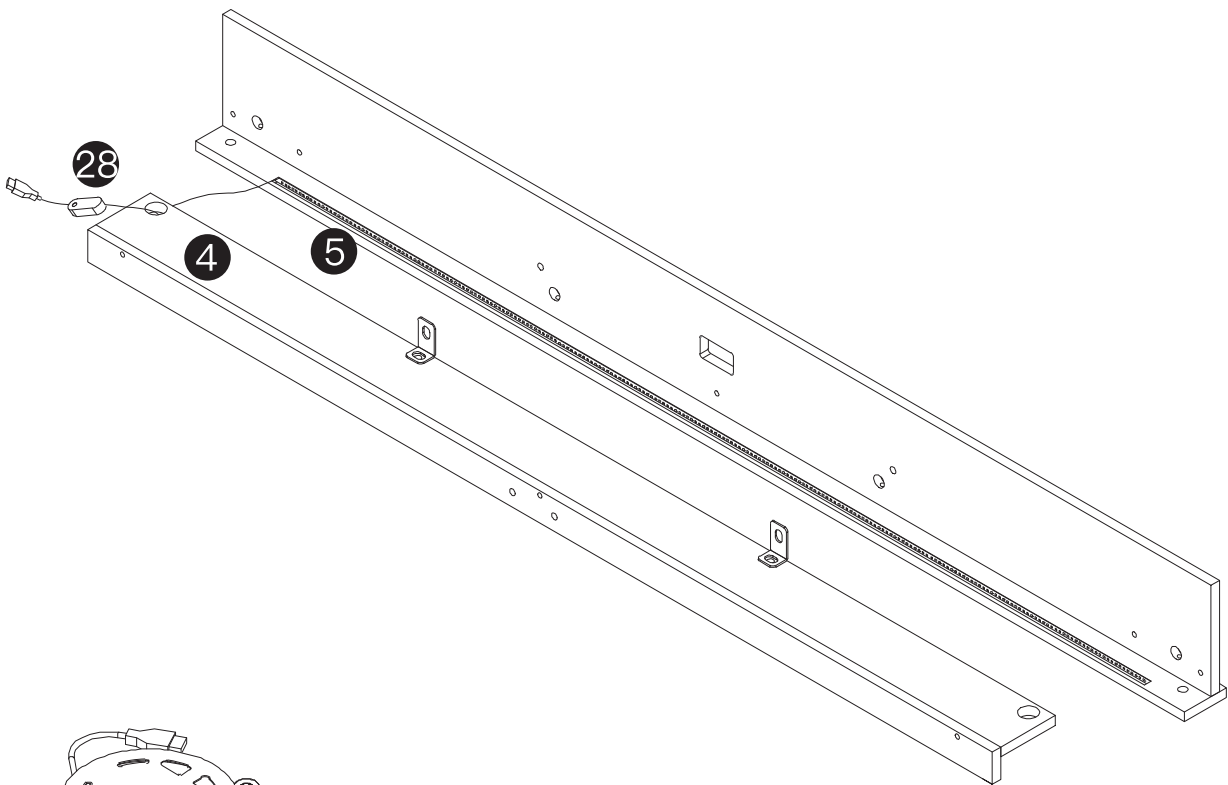
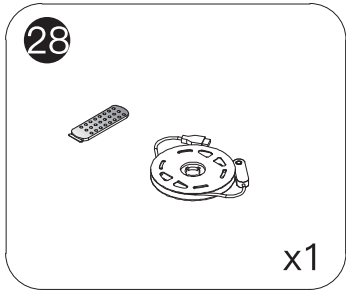
Please **do not** tighten the screw until the other half of part **26** is also locked.



STEP 4



STEP 5



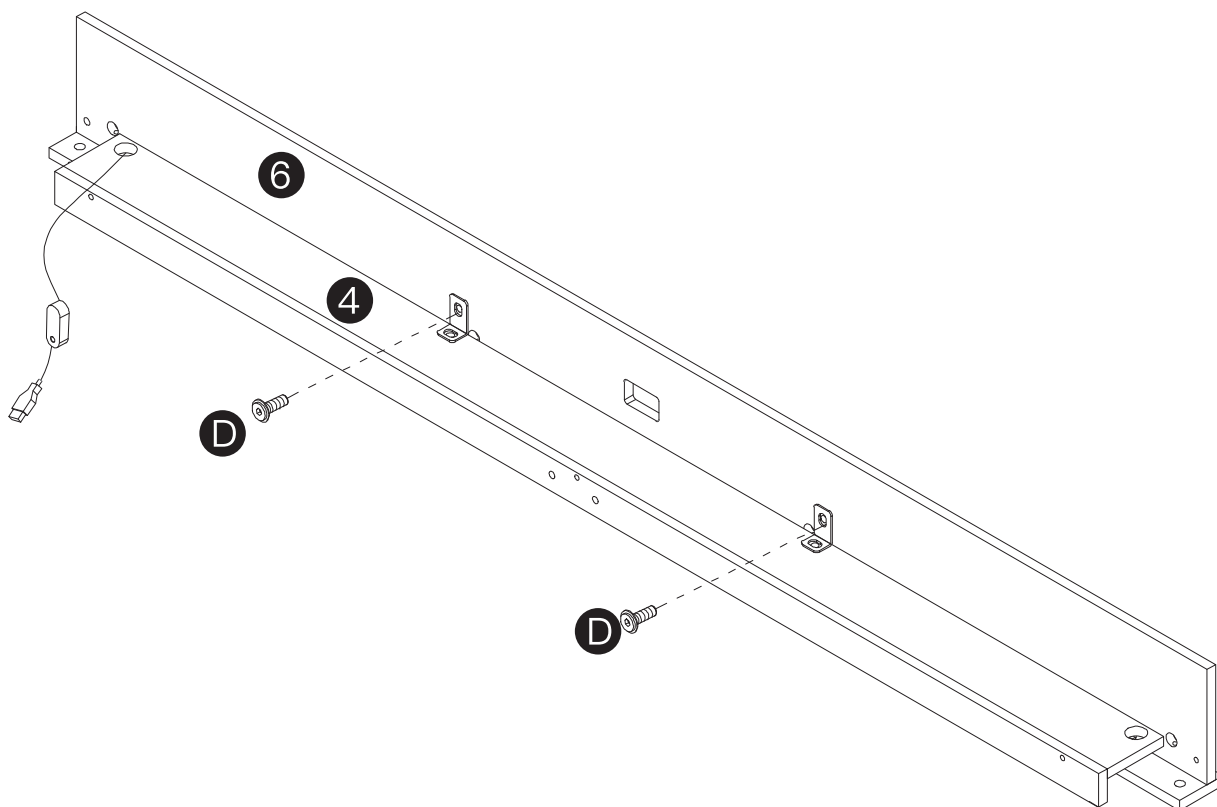
STEP 6

D

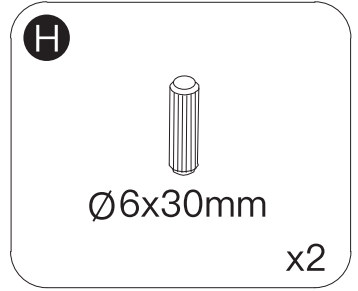
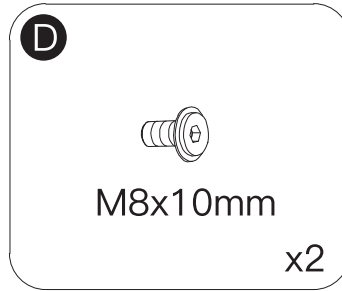
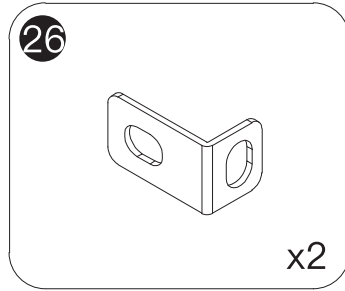
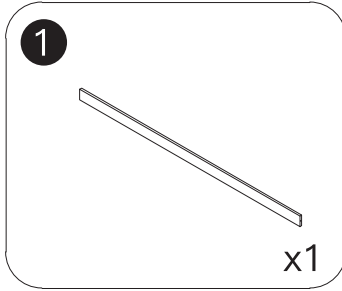


M8x10mm

x2

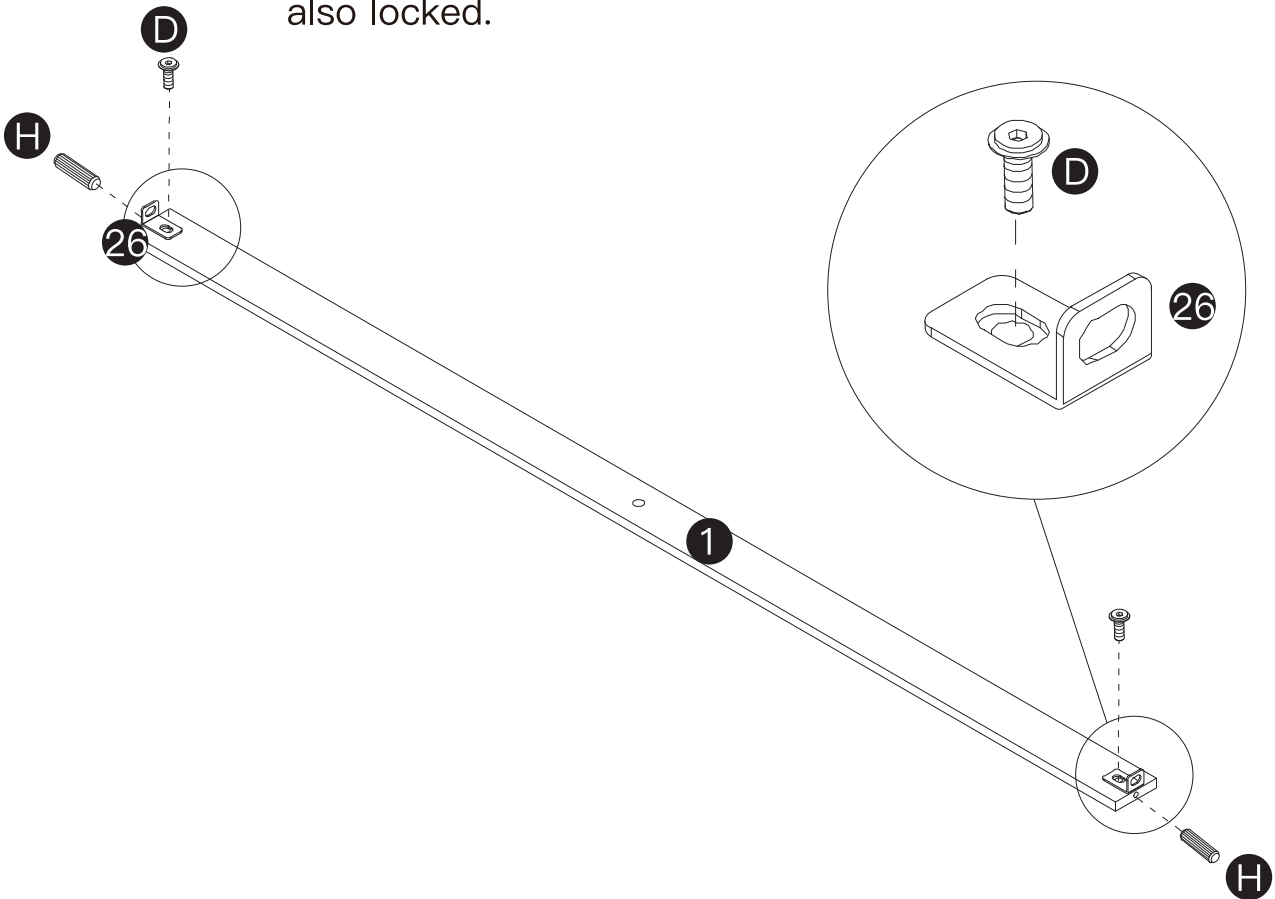


STEP 7

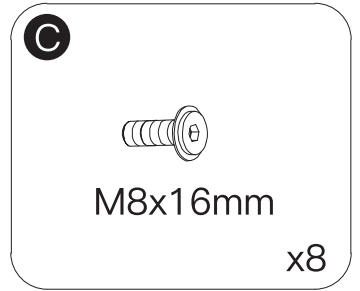
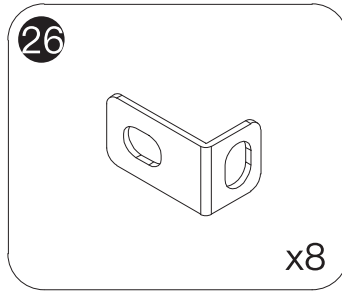
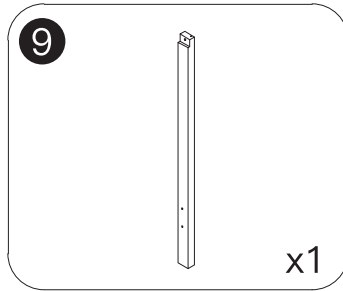
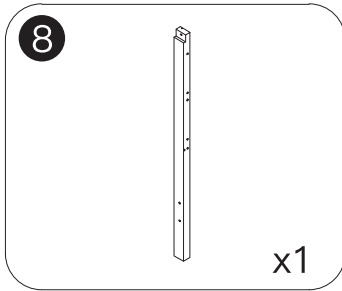


NOTICE:

Please **do not** tighten the screw until the other half of part **26** is also locked.



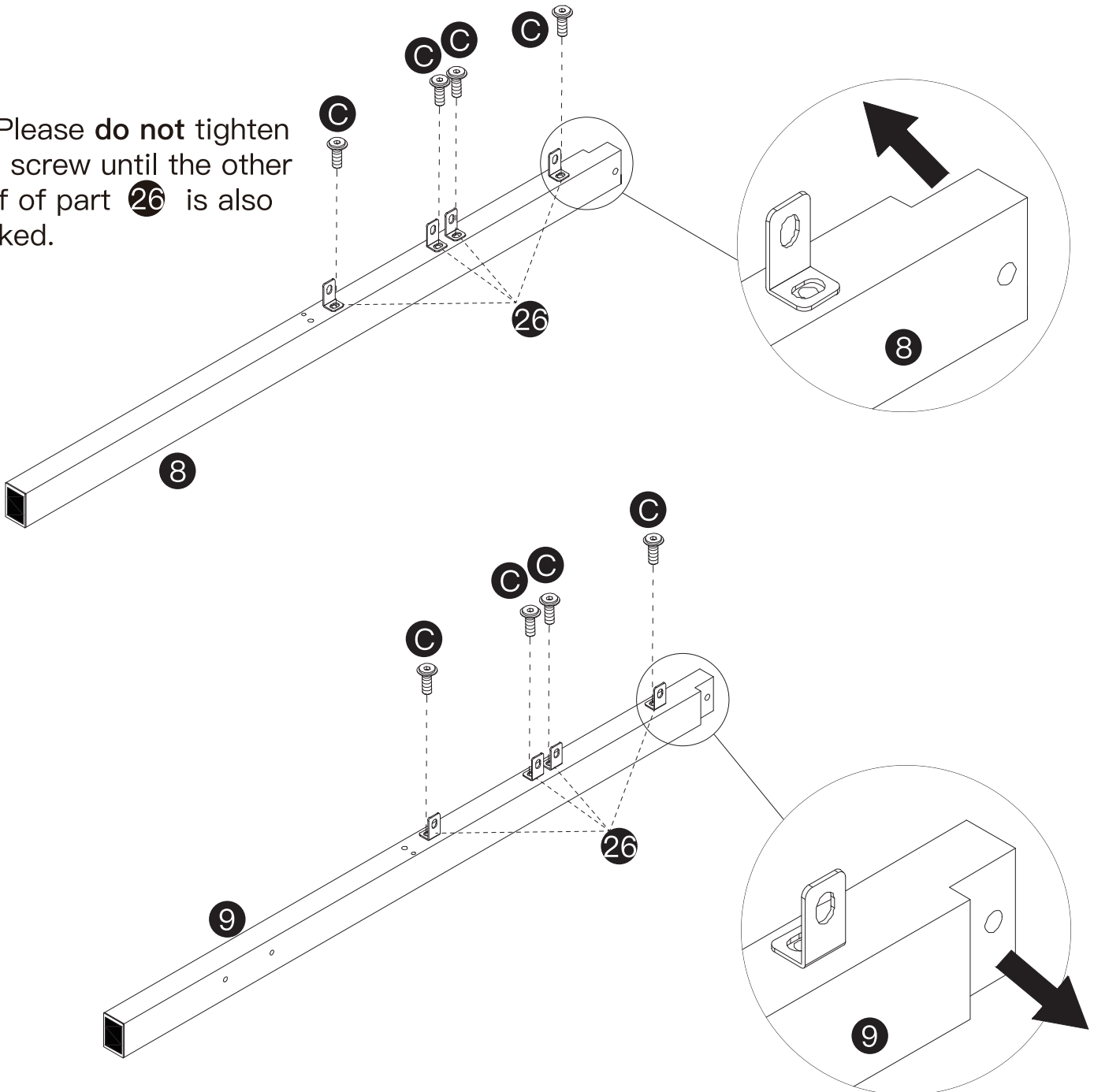
STEP 8



NOTICE:

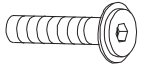
(1) Please pay attention to the orientation of the notch on part 8 & 9.

(2) Please do not tighten the screw until the other half of part 26 is also locked.



STEP 9

B



M8x35mm

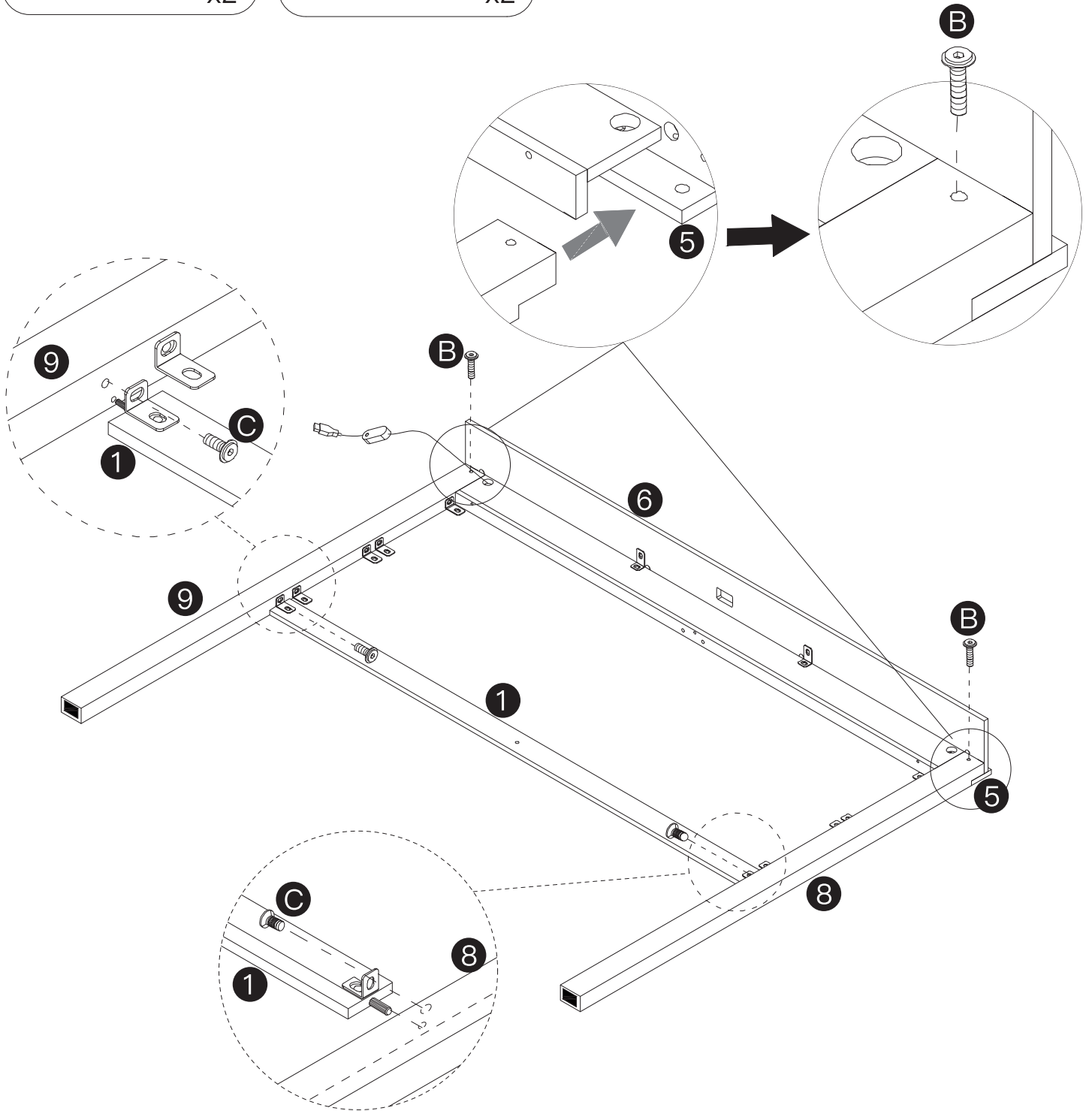
x2

C

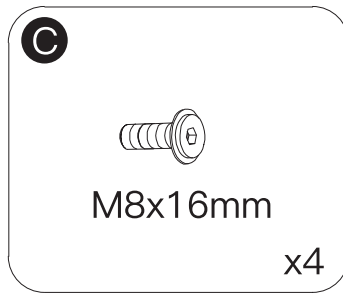
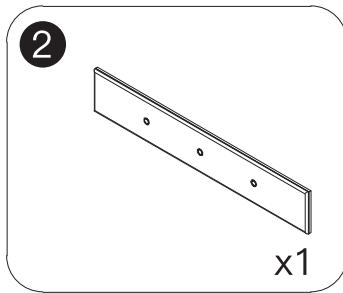


M8x16mm

x2

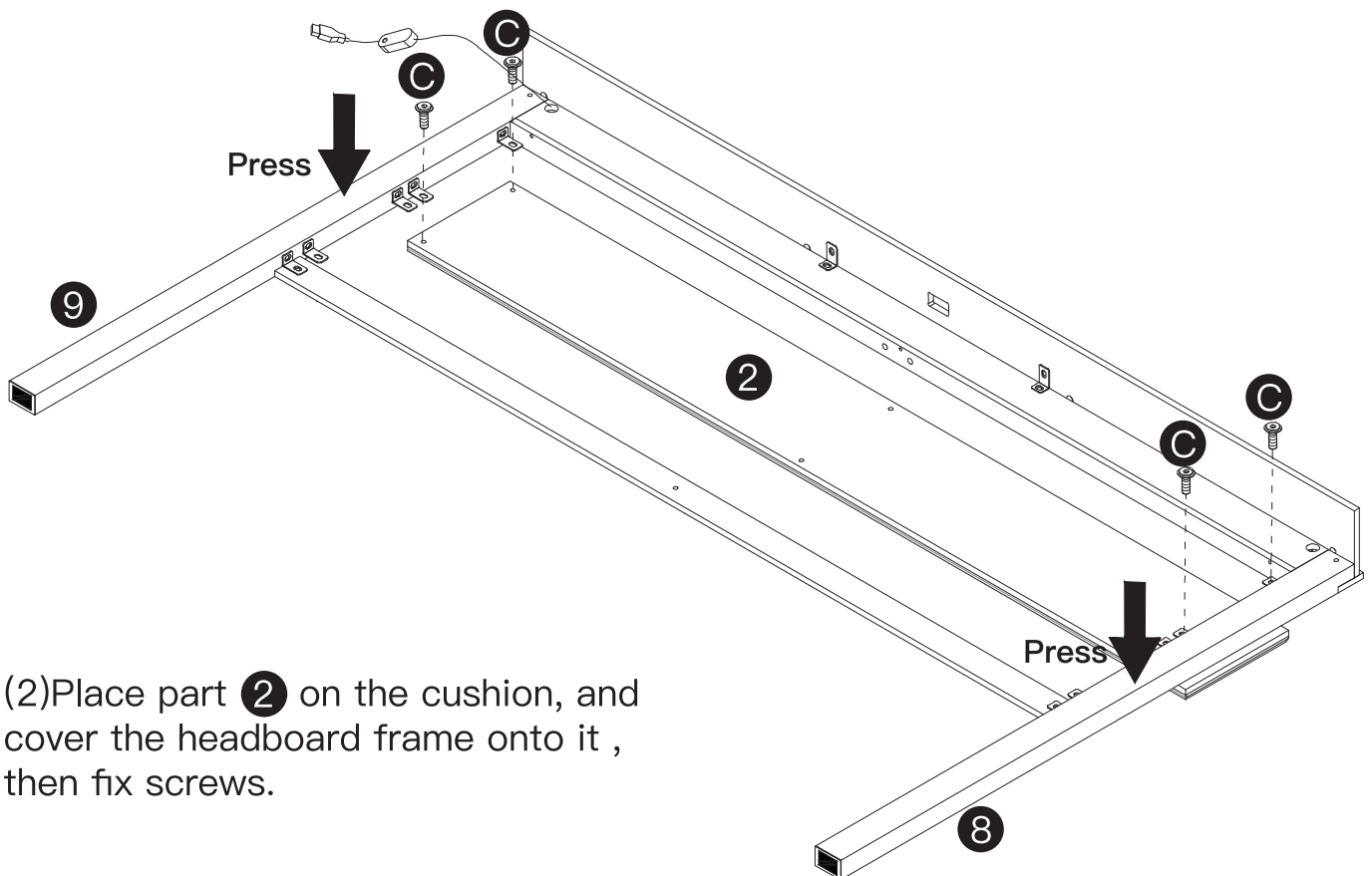


STEP 10



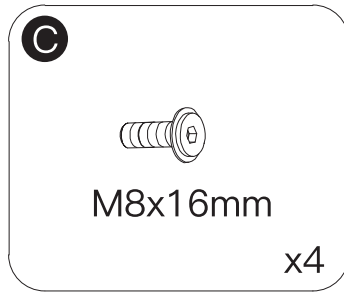
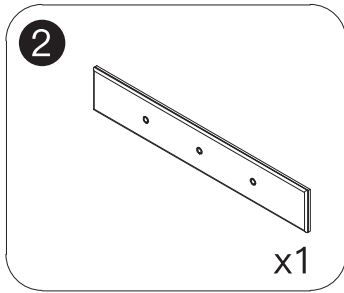
NOTICE:

(1) To avoid dirtying part 2, please lay a cushion on the ground before installation.



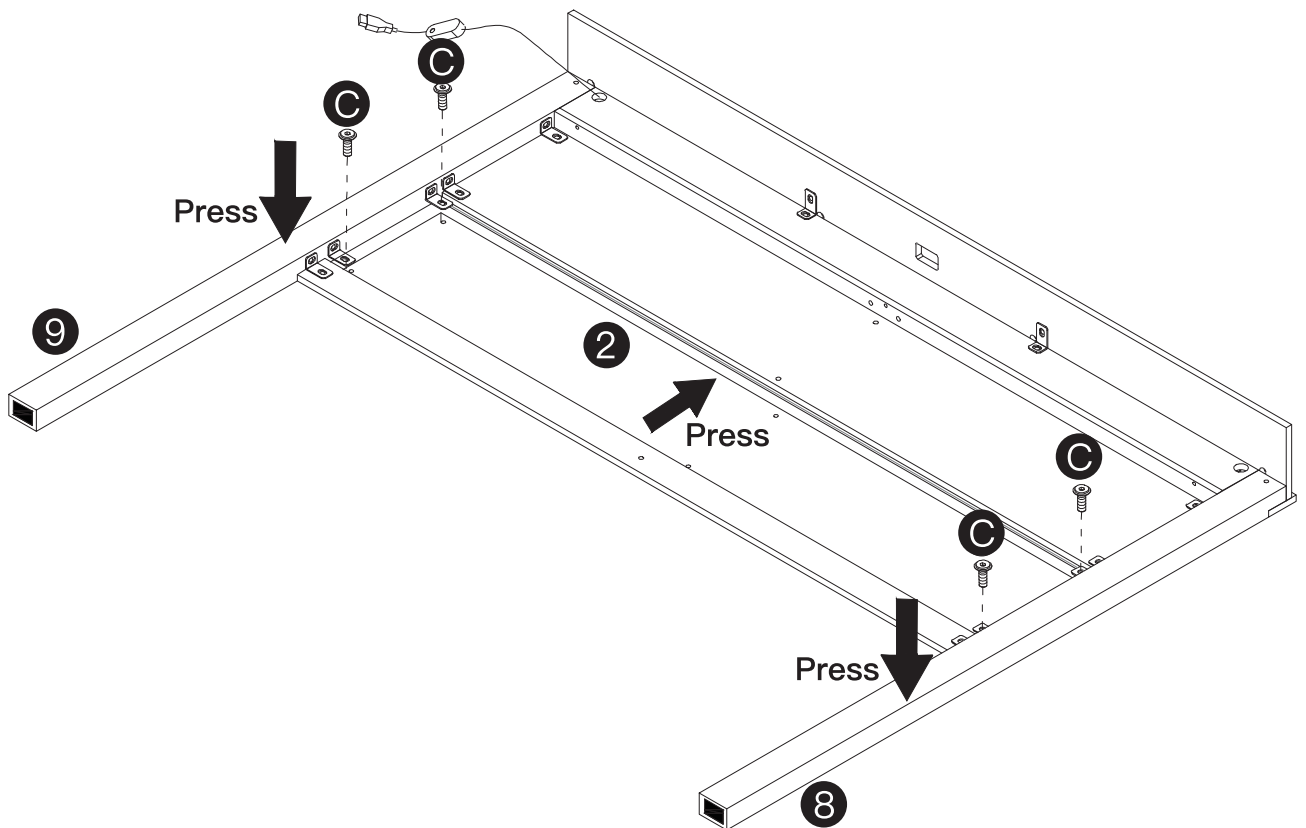
(2) Place part 2 on the cushion, and cover the headboard frame onto it, then fix screws.

STEP 11

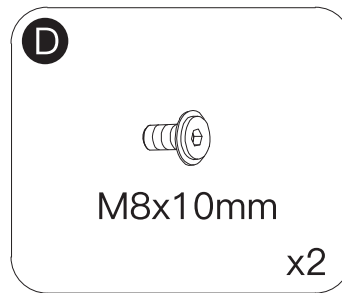
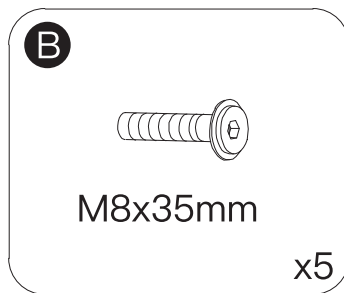
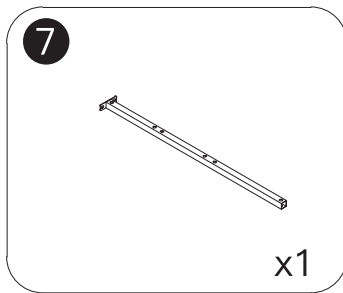


NOTICE:

Repeat the previous step to install another part **2**.

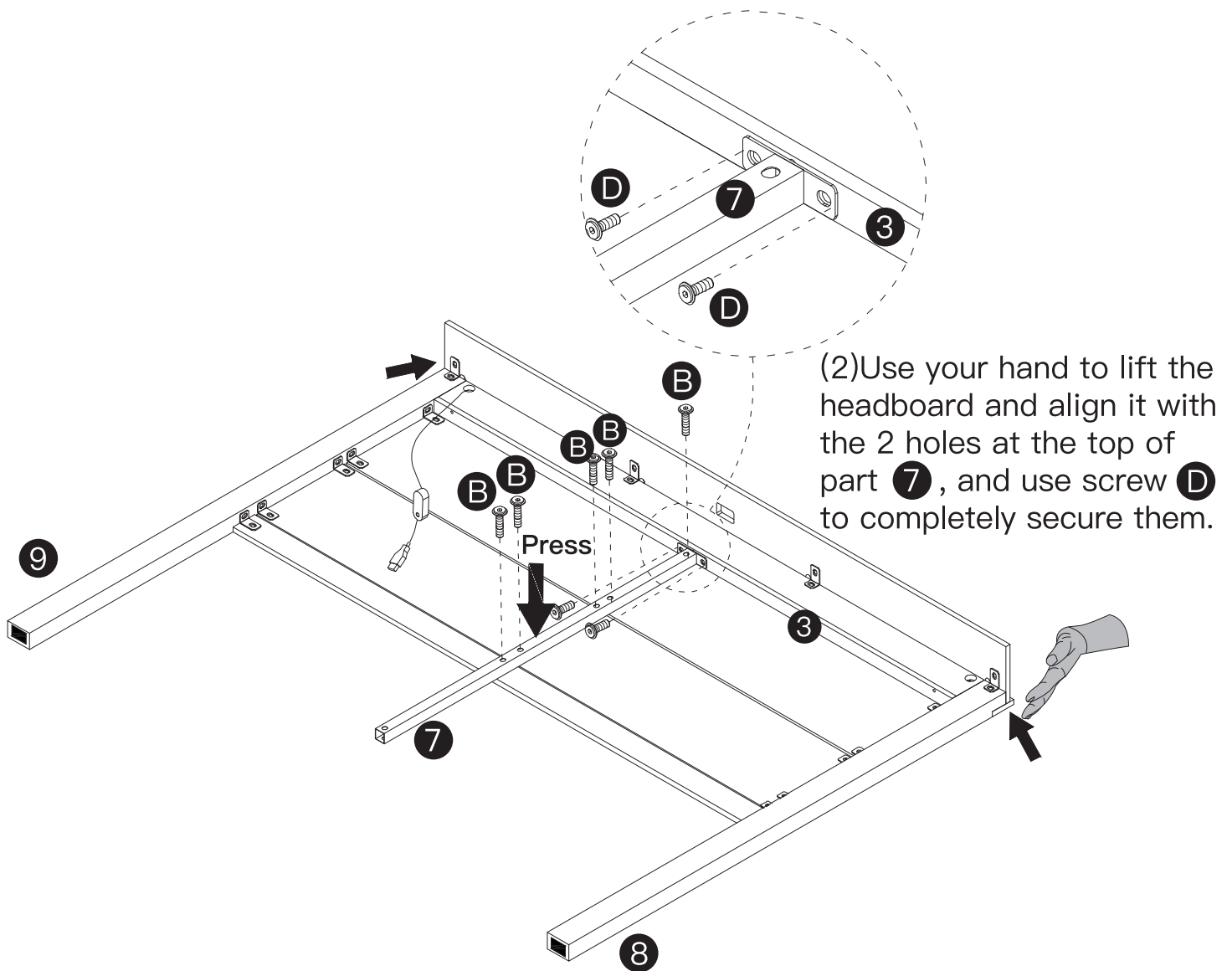


STEP 12



NOTICE:

(1) First, use screw **B** to secure part **7**, and **do not** tighten it fully until screw **D** are installed.



STEP 13

C



M8x16mm

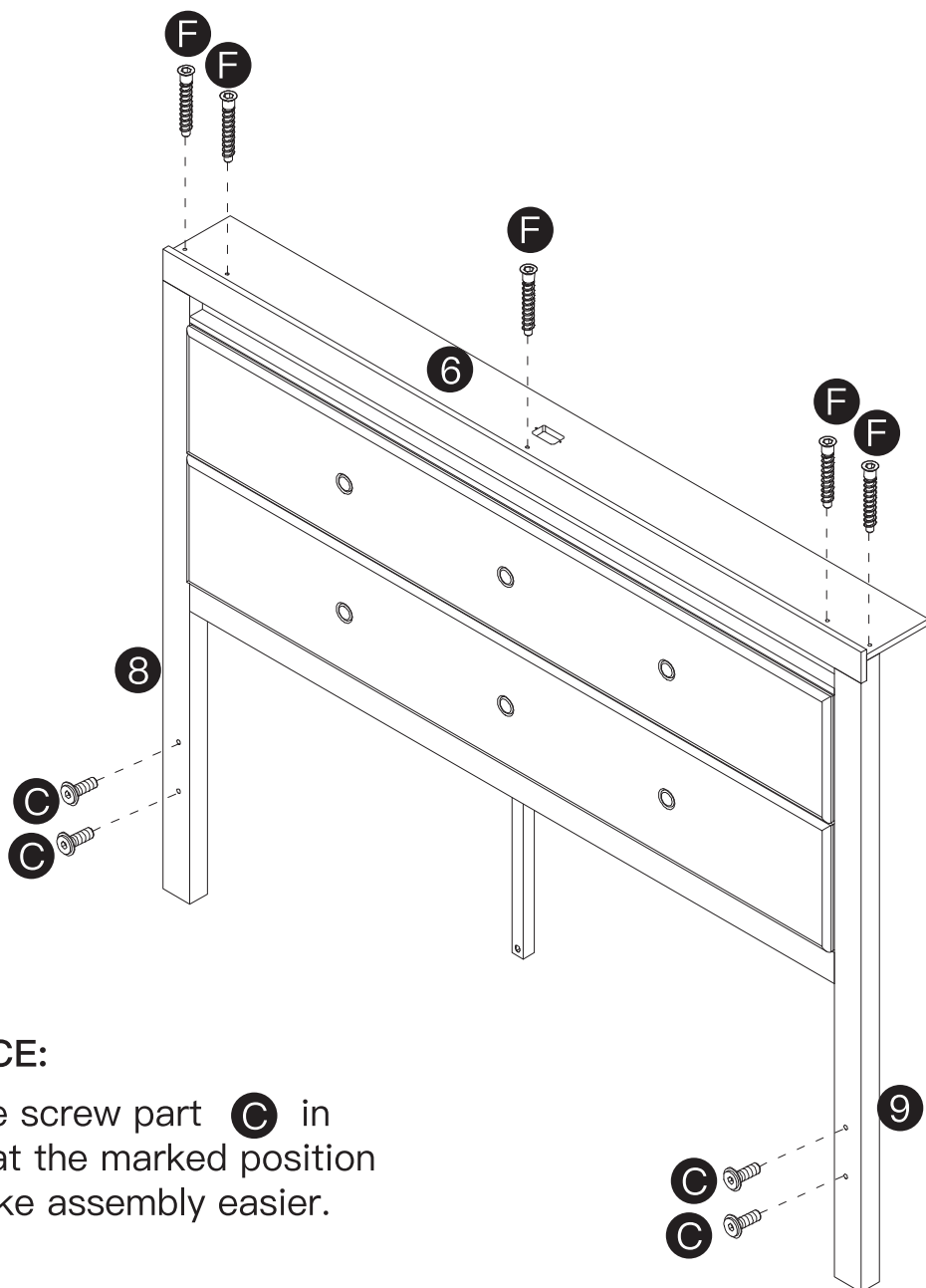
x4

F



M5x40mm

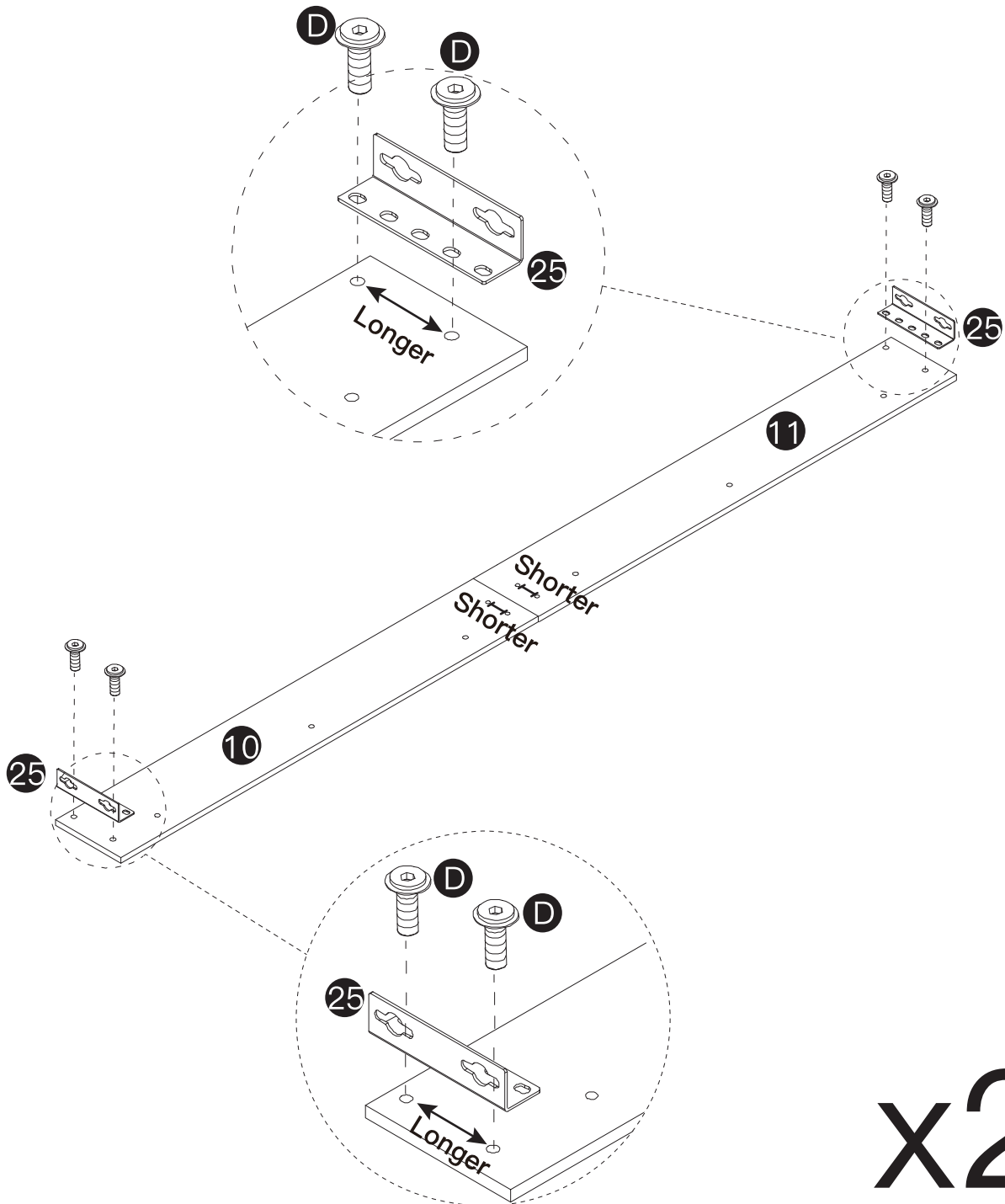
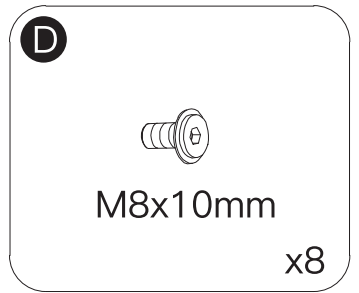
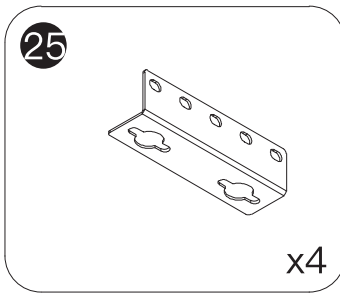
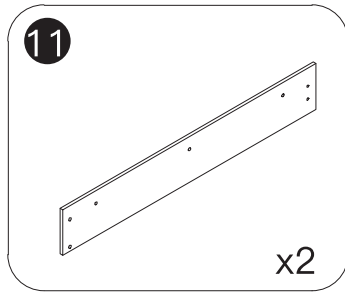
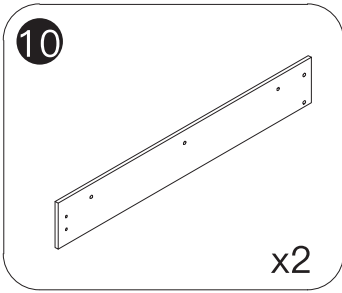
x5



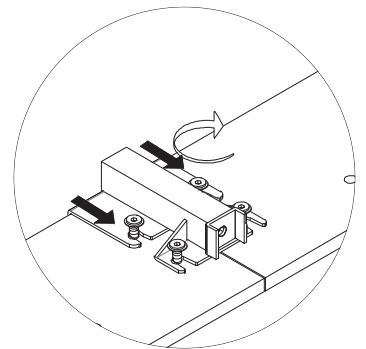
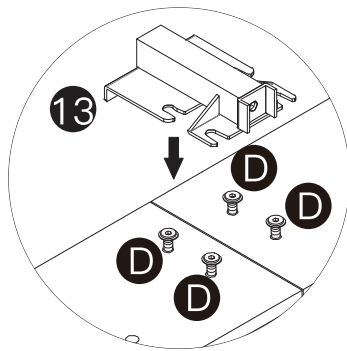
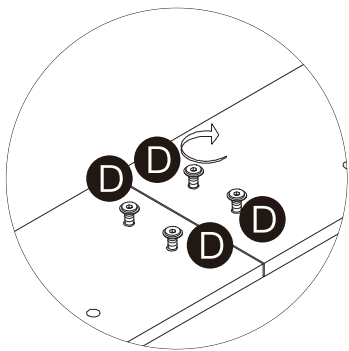
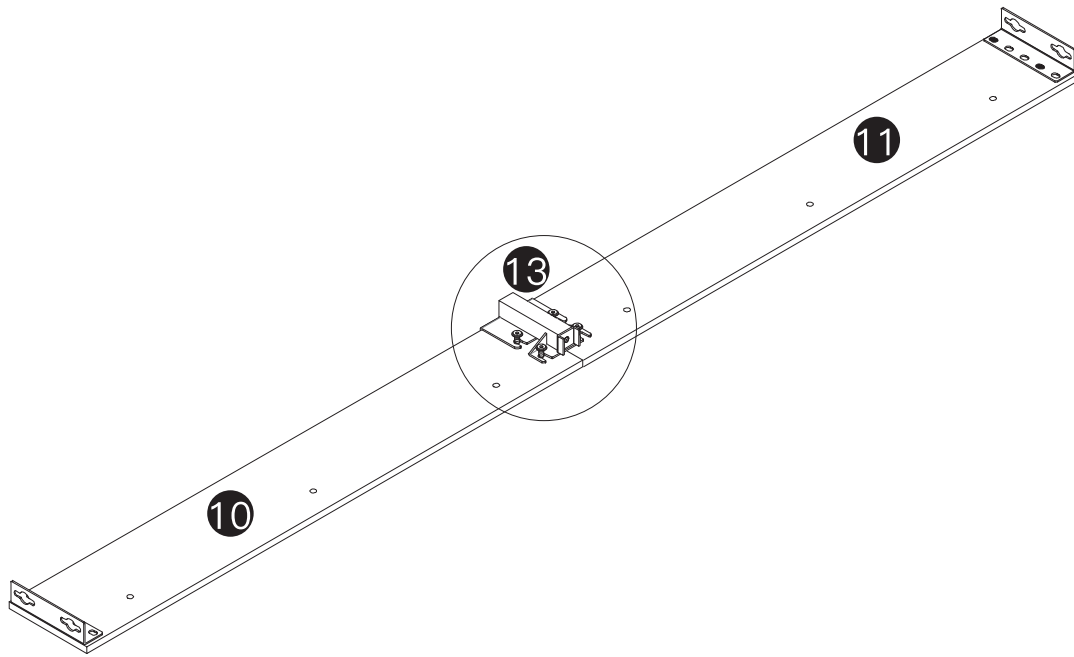
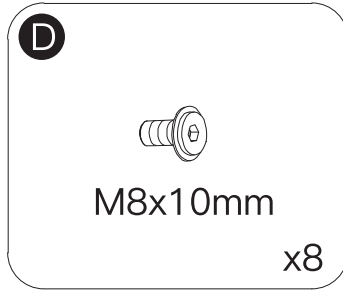
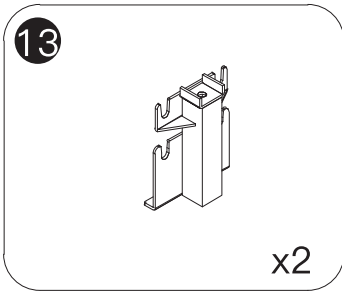
NOTICE:

Please screw part **C** in 70% at the marked position to make assembly easier.

STEP 14



STEP 15



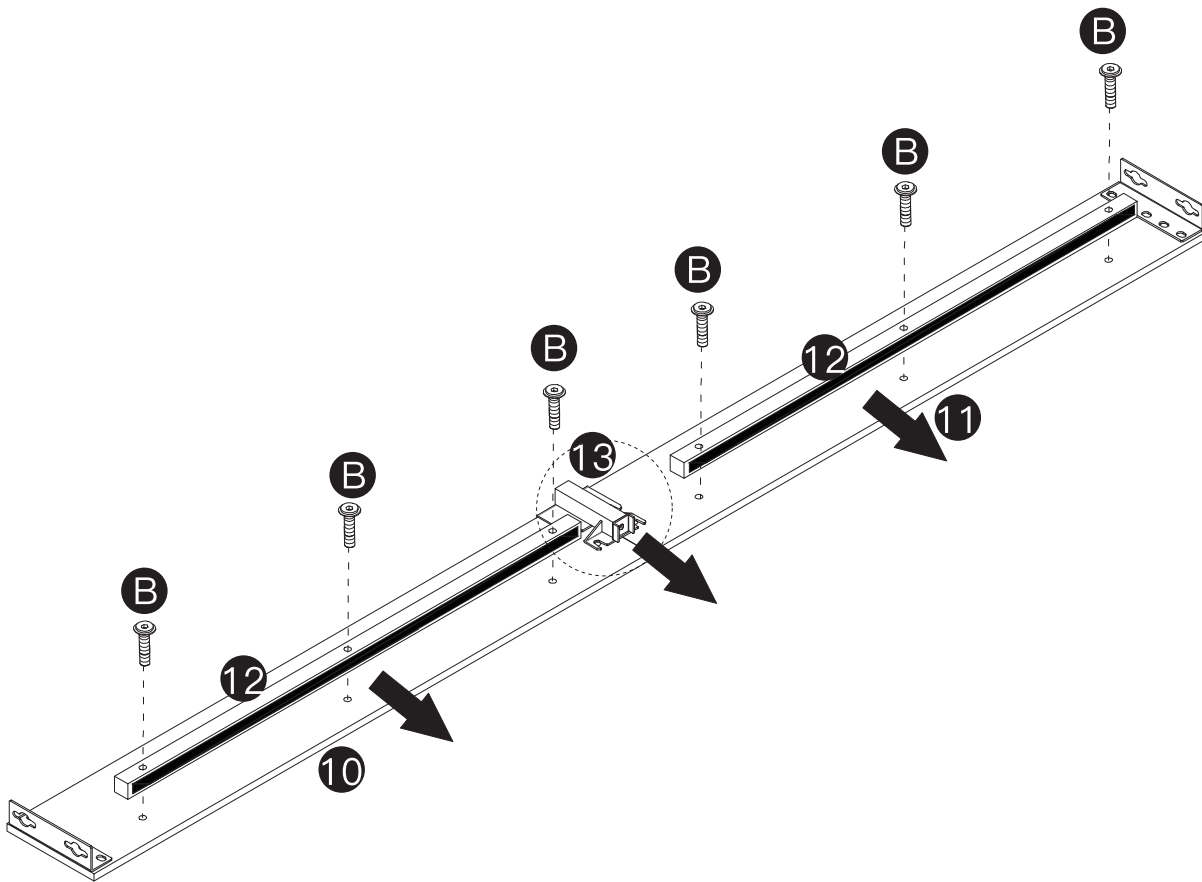
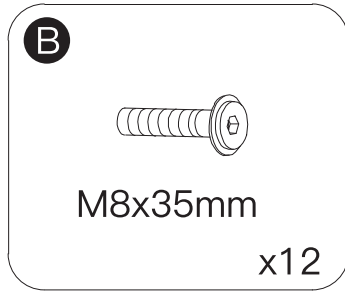
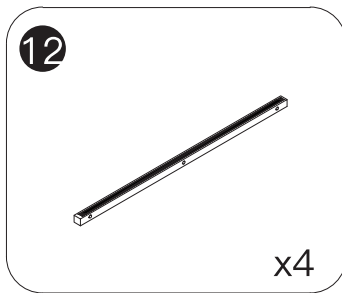
Please screw part **D** in 1/2 at the marked position to make assembly easier.

Hang part **D** onto part **13**.

Tighten part **D** on part **13** after hooking up.

x2

STEP 16

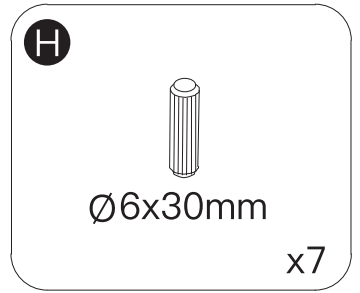
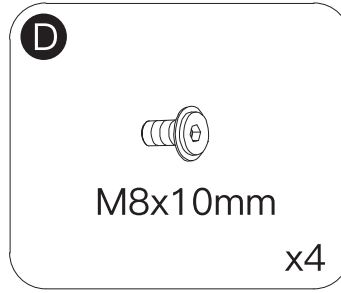
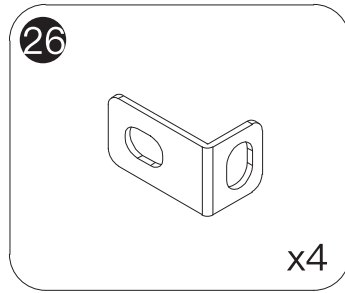
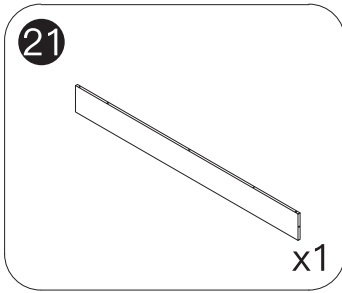


NOTICE:

Please note that the specific side of part 12 is on the same side as the top of part 13 .

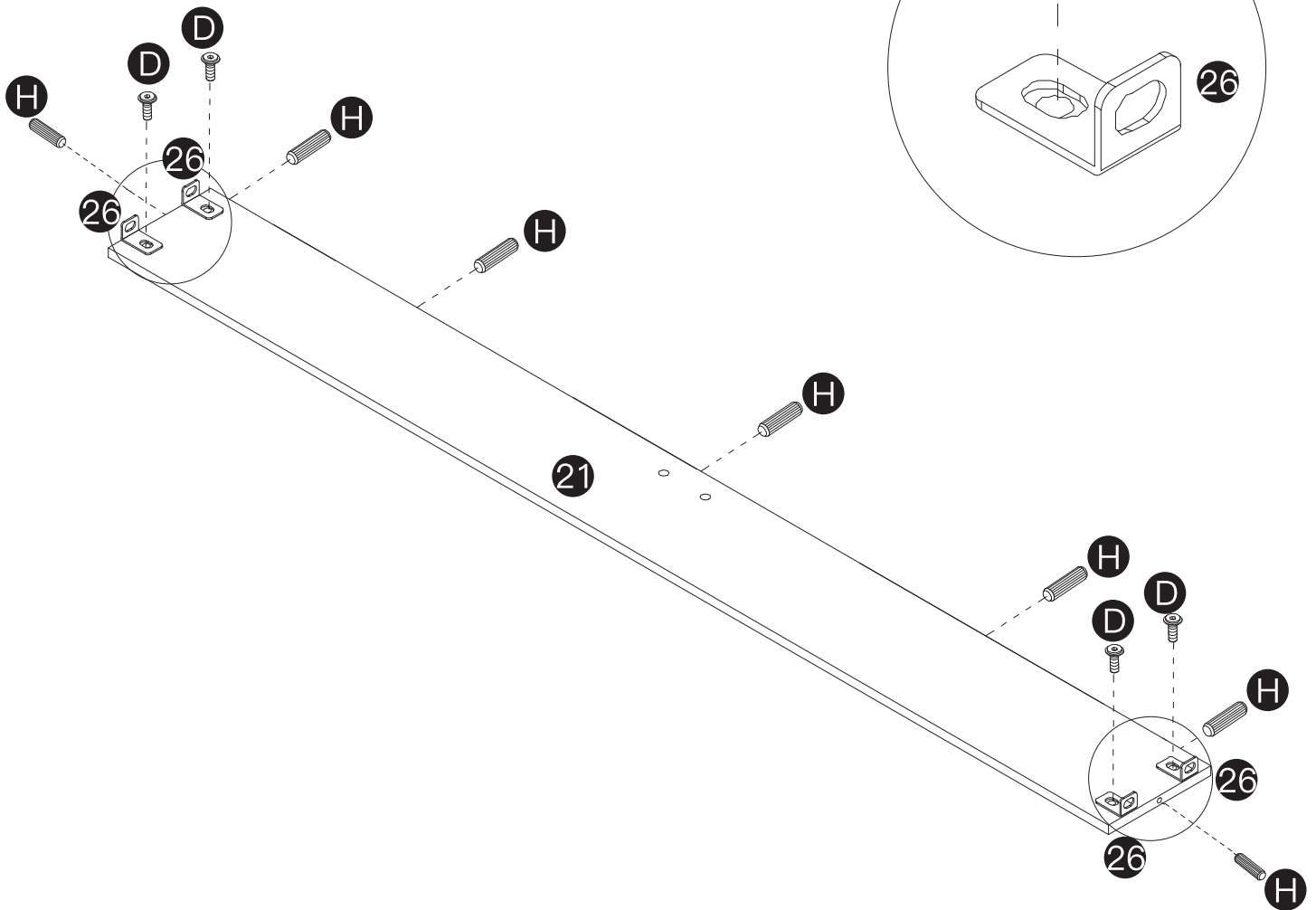
x2

STEP 17

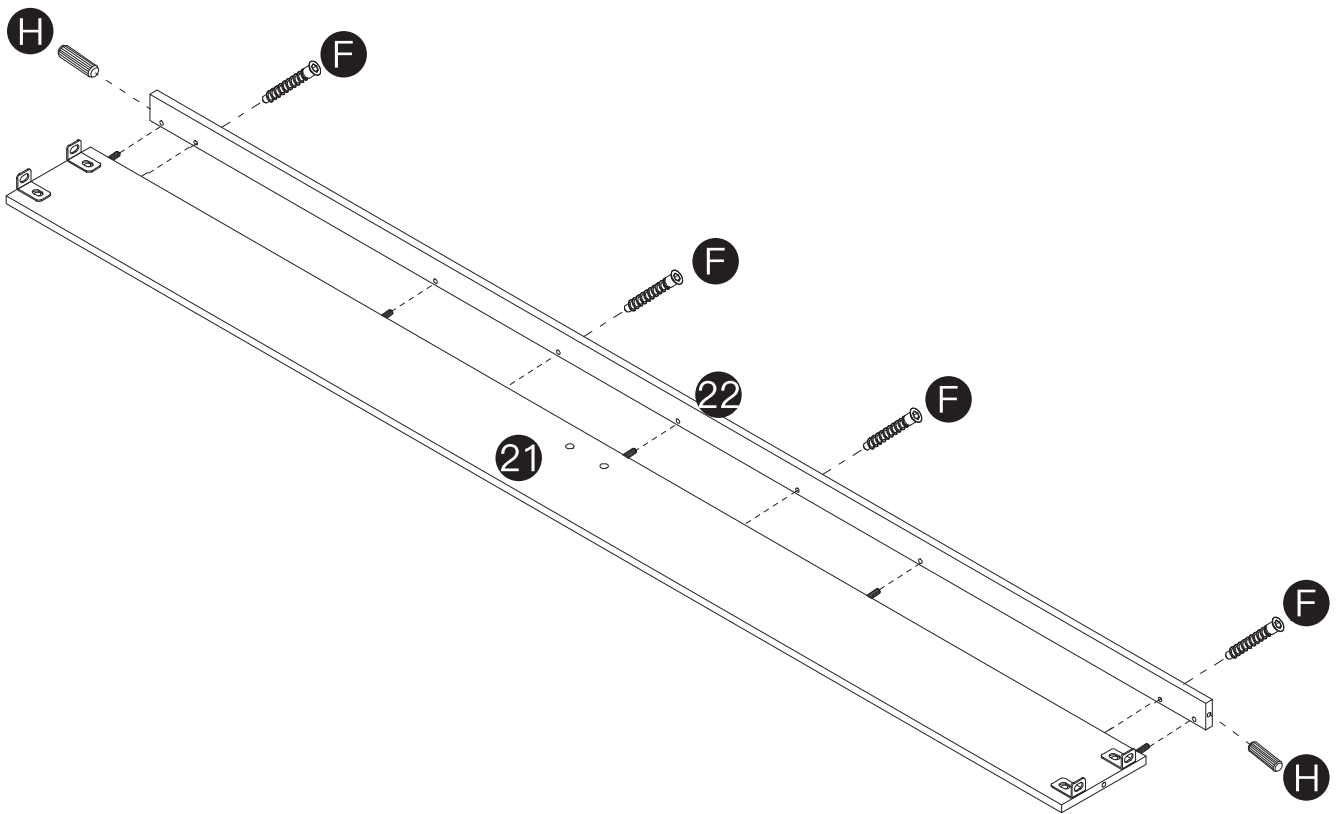
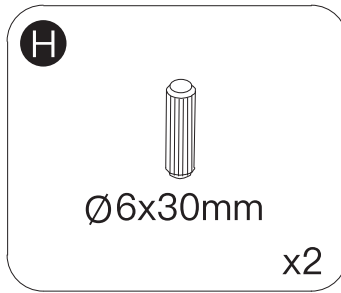
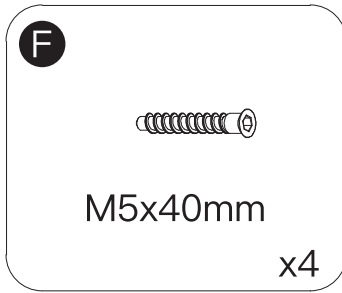
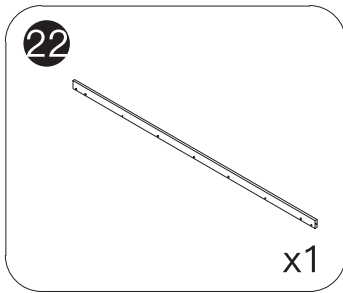


NOTICE:

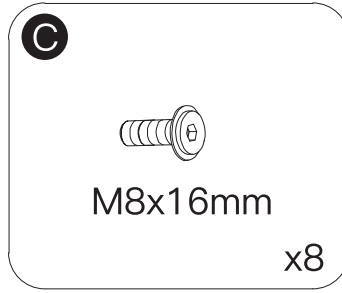
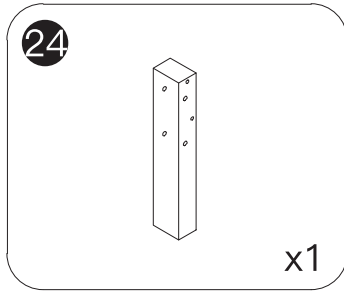
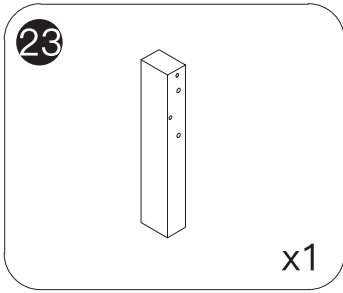
Please **do not** tighten the screw until the other half of part **26** is also locked.



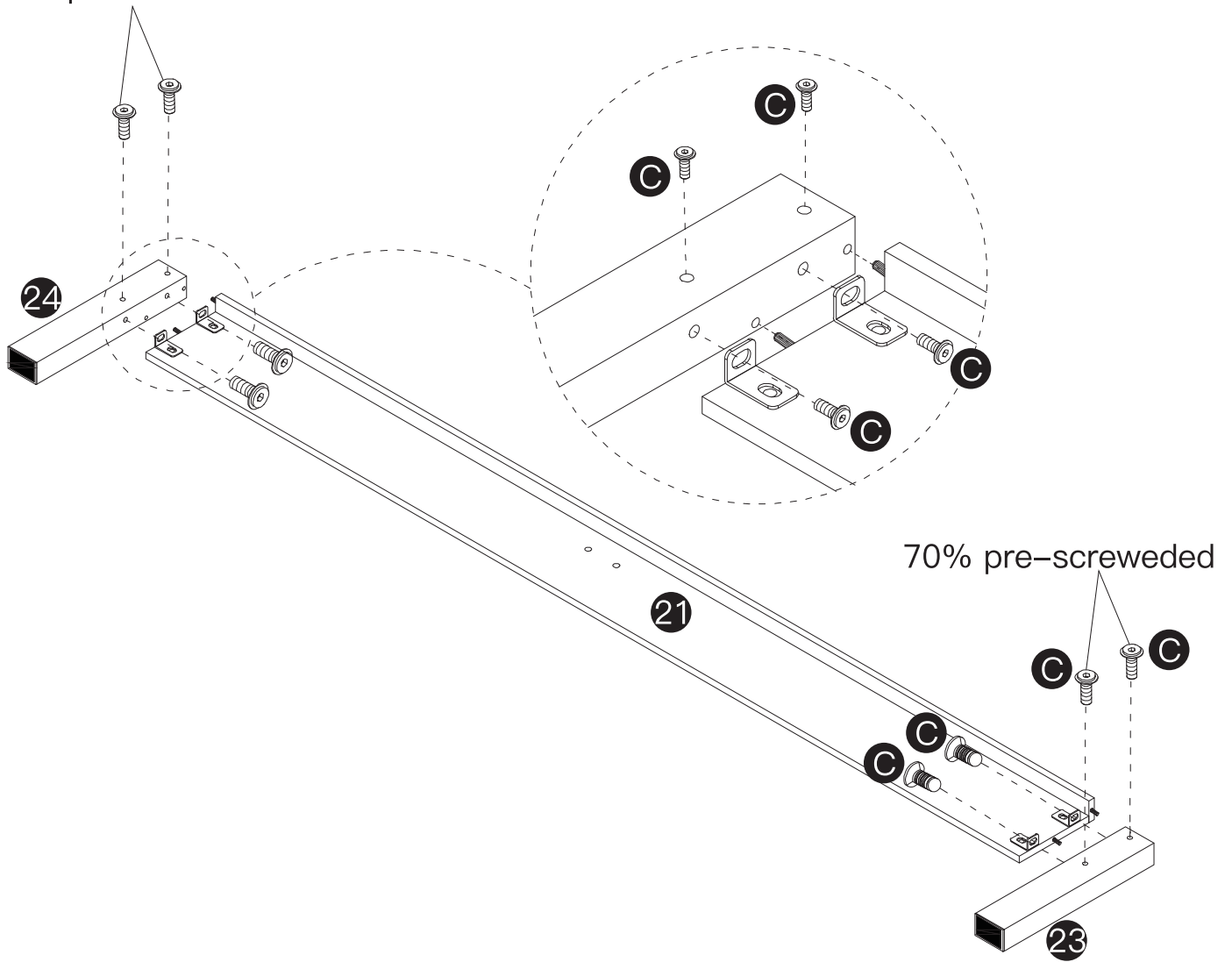
STEP 18



STEP 19



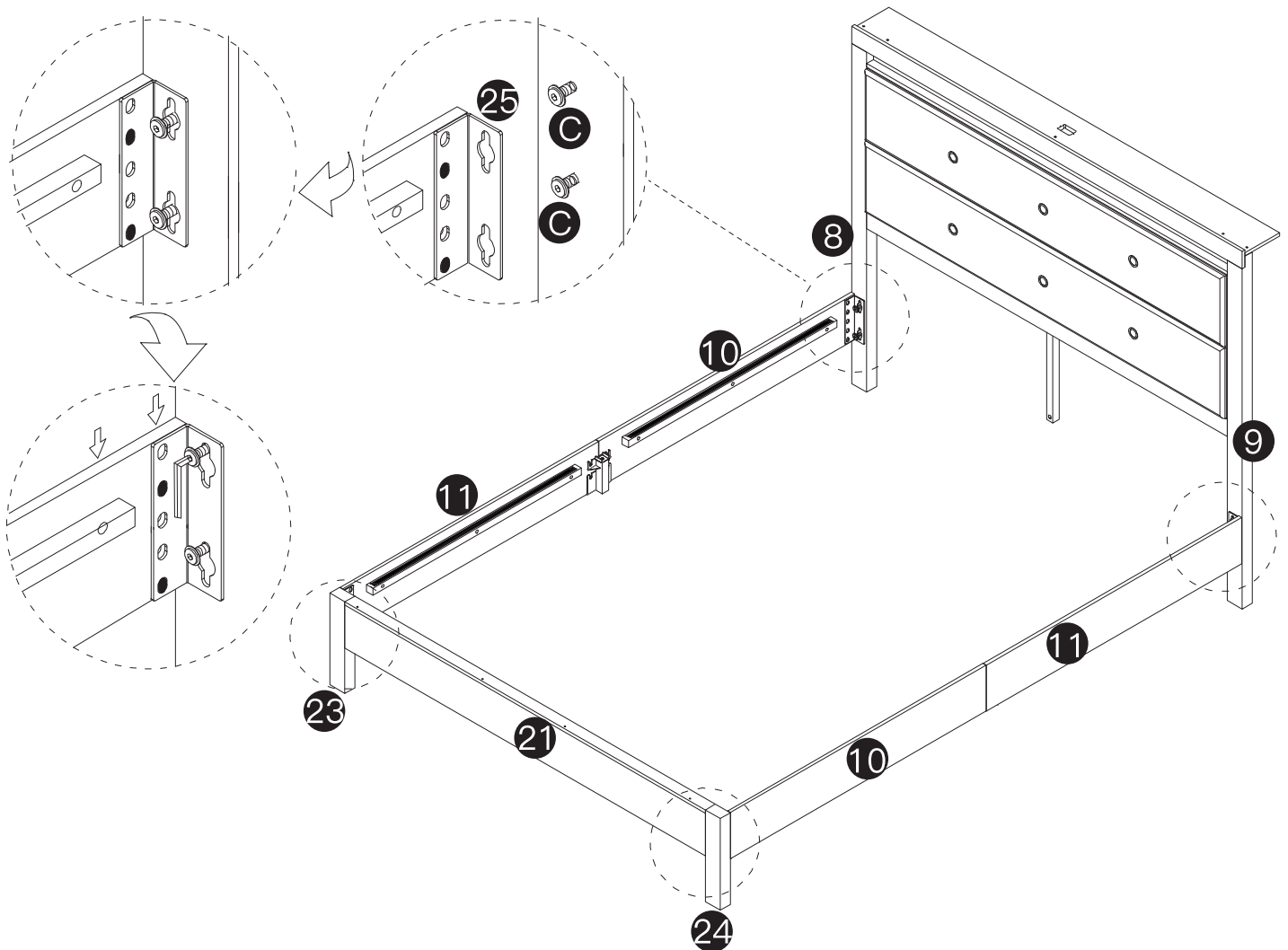
70% pre-screwed



STEP 20

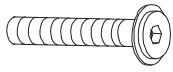
NOTICE:

Hang part 25 on screws C, then tighten all screw C.



STEP 22

A



M8x45mm

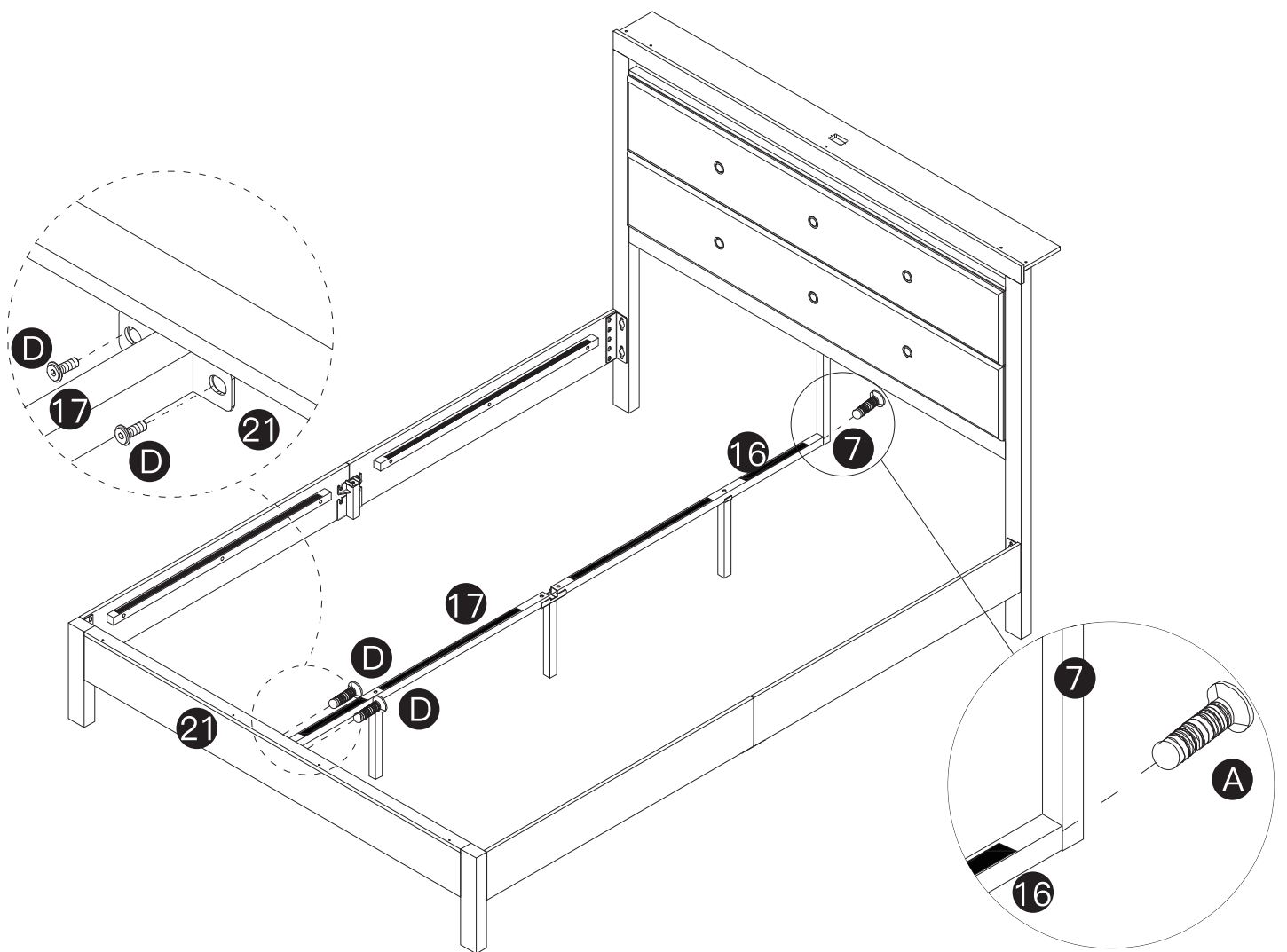
x1

D

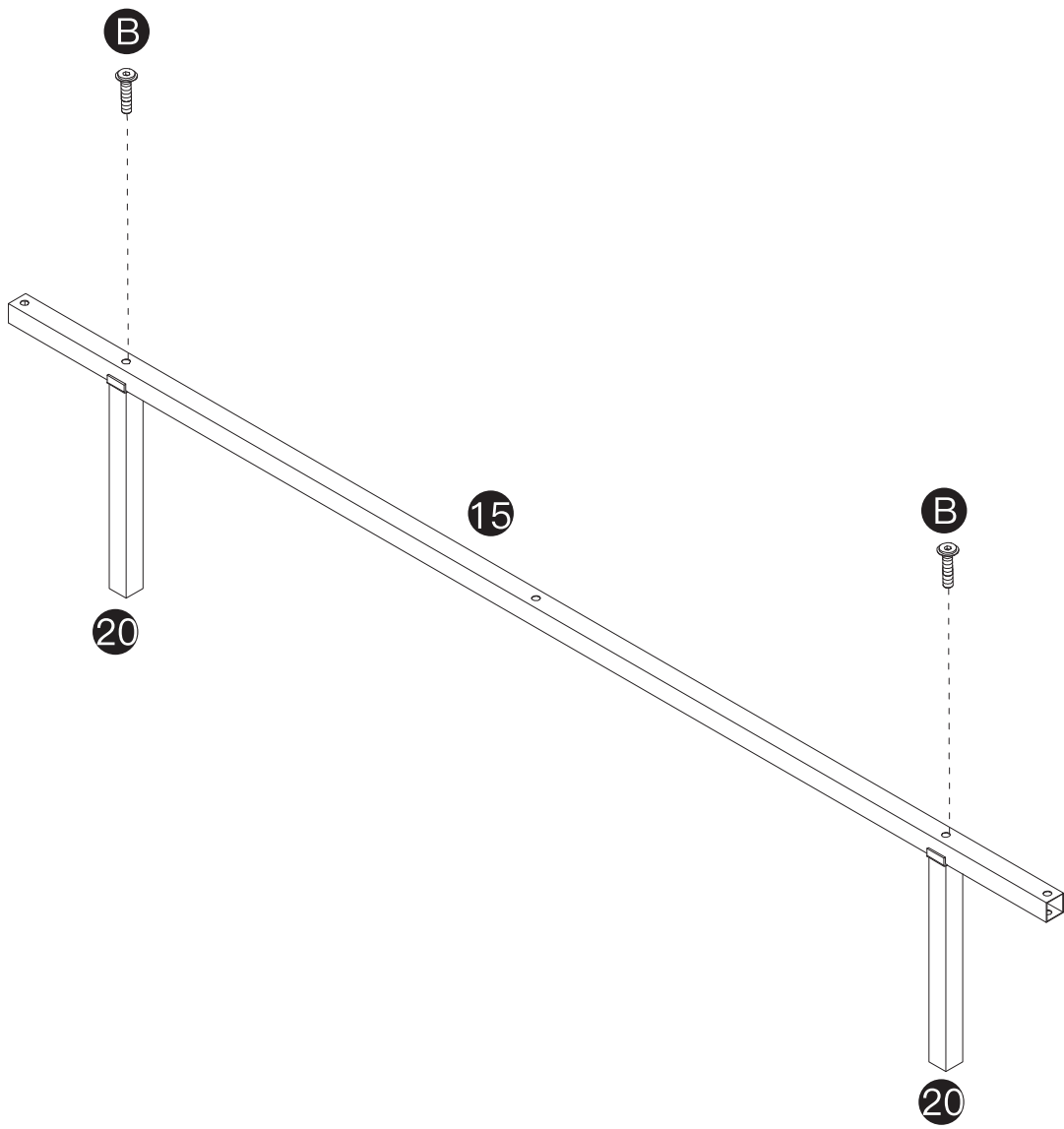
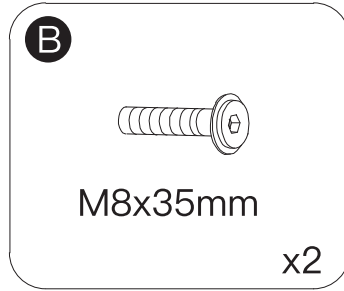
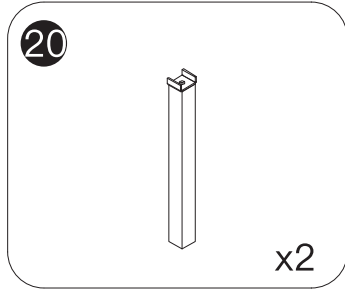
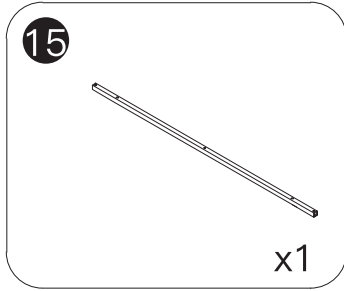


M8x10mm

x2

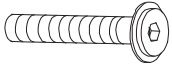


STEP 23



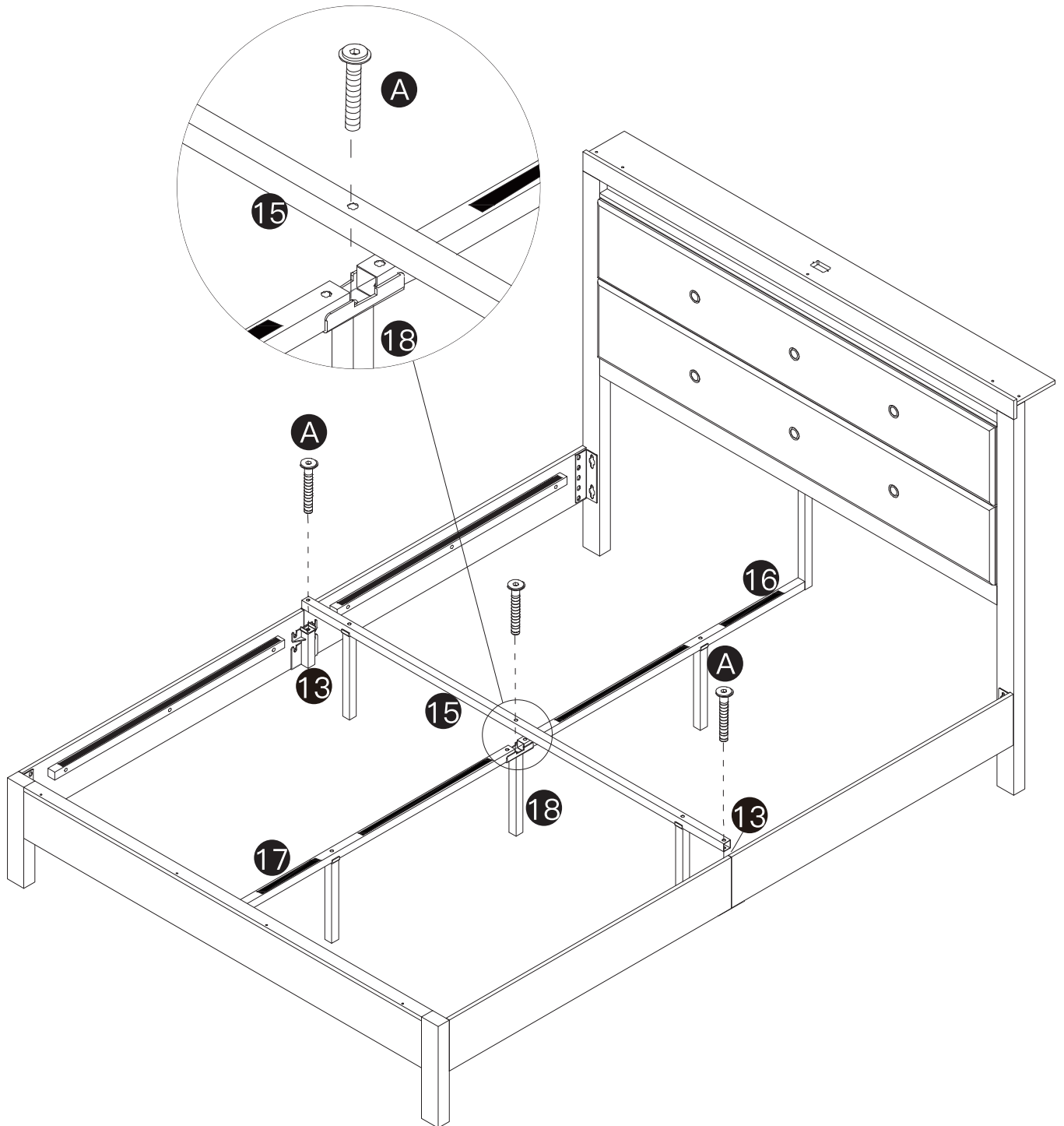
STEP 24

A

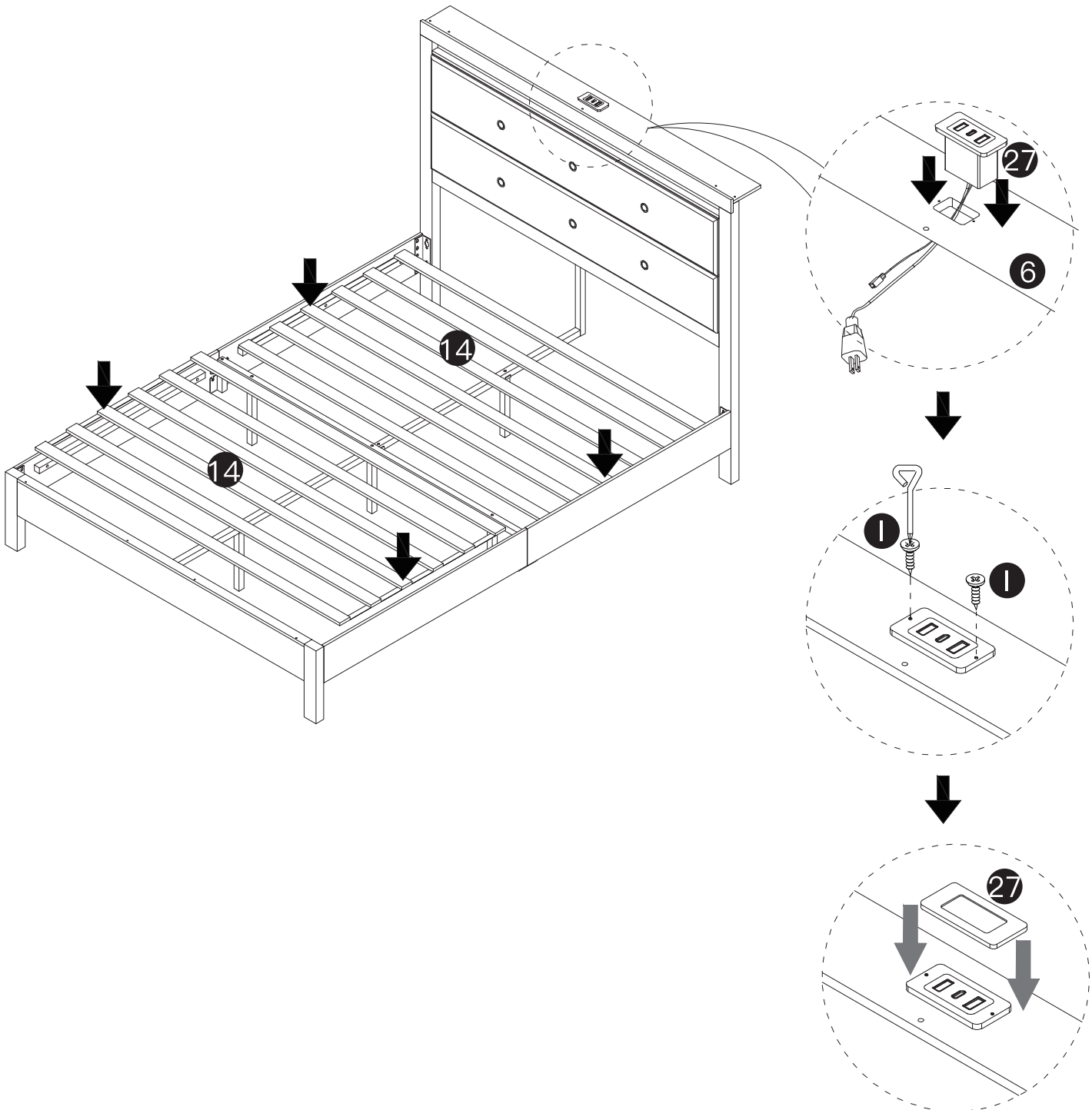
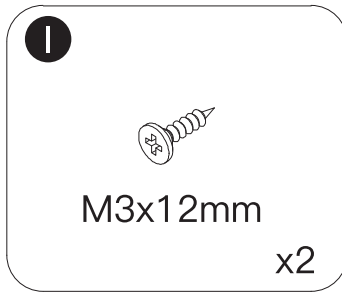
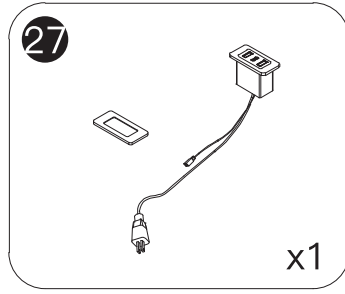
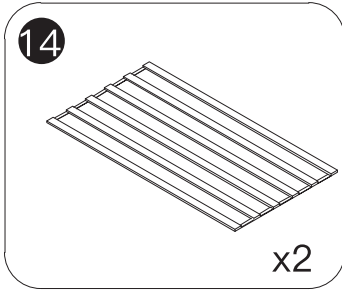


M8x45mm

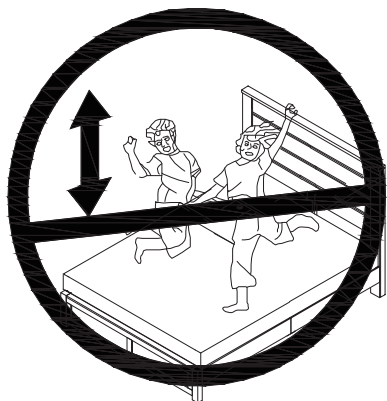
x3



STEP 25

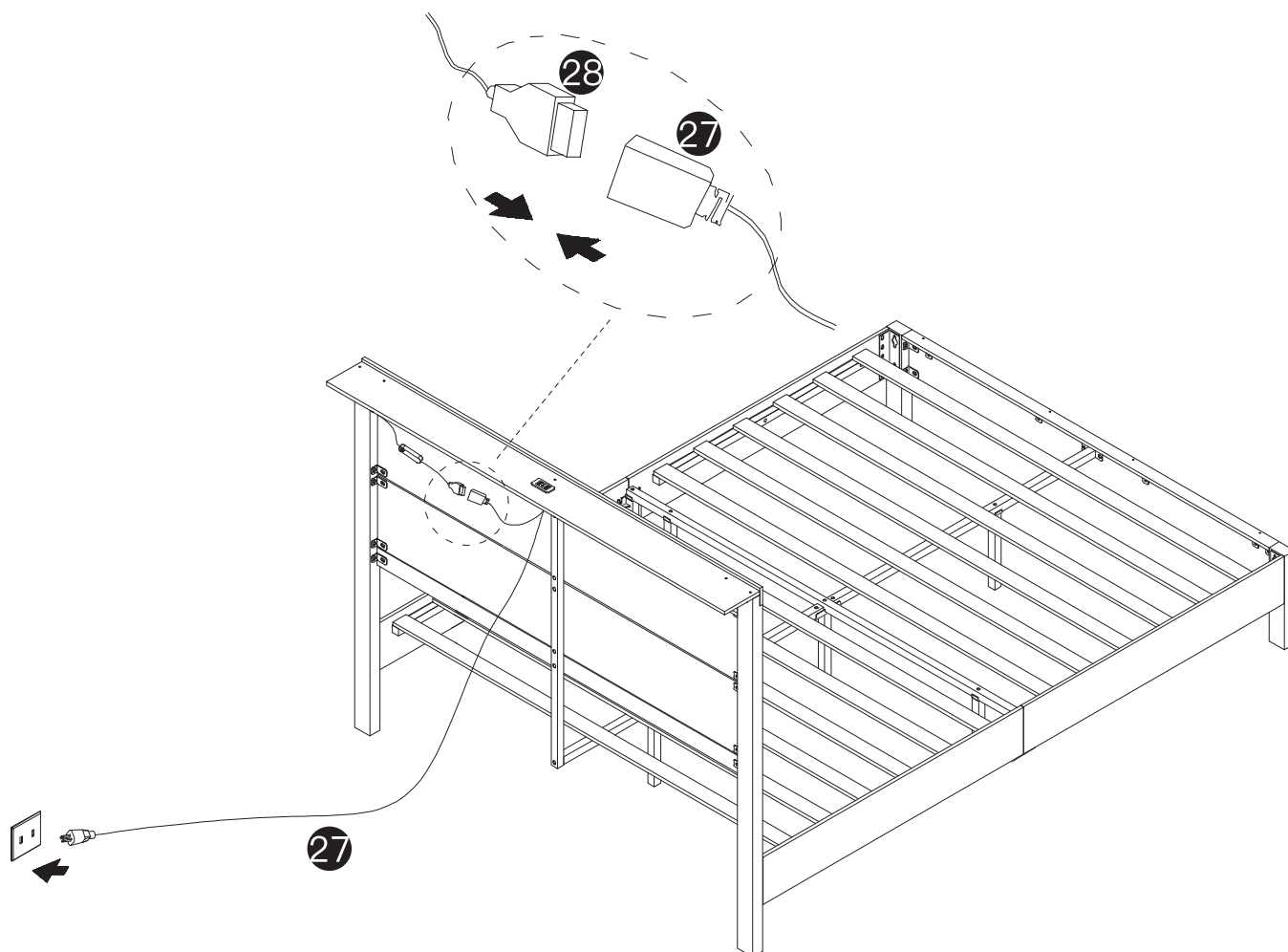
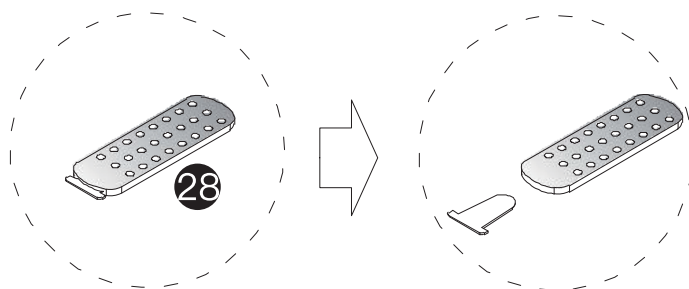


STEP 26



Warm Tips

- (1) Please place the assembled bed against the wall.
- (2) **Do not** jump or play on the bed.
- (3) Extract the insulation sheet before using the remote control.



AFTERSALE SERVICE

Dear customer,

Thank you so much for purchasing the product from us, we really appreciate your support.

We are aimed to provide the best shopping experience to our customers. We also want to build a mutually beneficial relationship with our customers, and step further to make our brand both reliable, responsible and recommendable.

We hope that our products could meet your needs and expectations, please consider us again if you need more products for your home and kitchen.

The package would be out of our control during shipping, please contact us through your purchasing channel directly if there is anything wrong with the box or contents. We are always here offering you our service.

We will reply your messages within 24 hours, please kindly wait for the response from our team.

Your comfort and contentment are of utmost importance.

Best Regards,

Customer Care Specialist