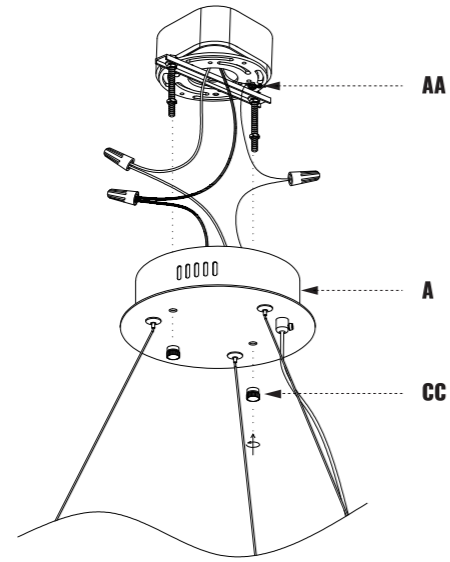


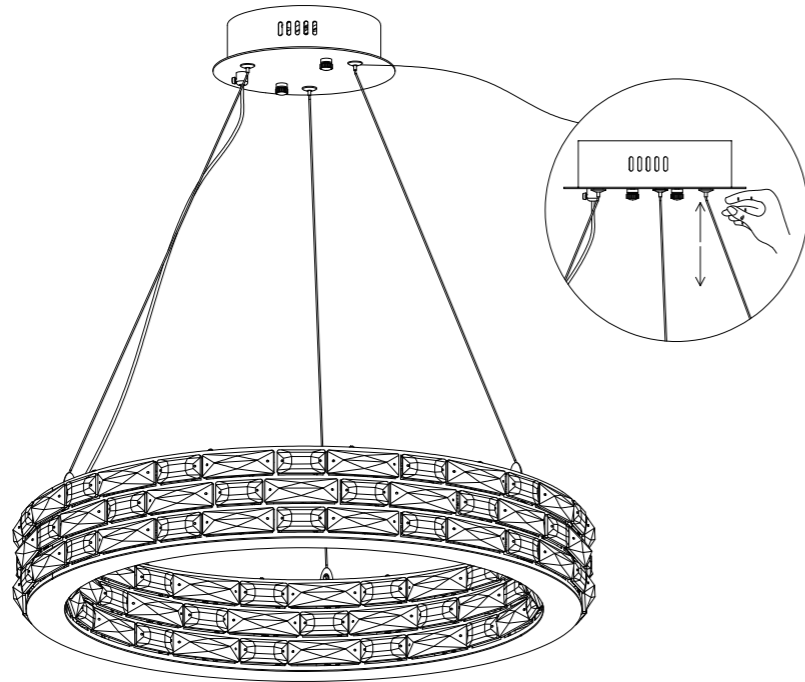
### 3. Fix the Canopy



**Step 4:** Fix the Canopy of Lamp Body (A) onto the Mounting Bracket (AA) with Knurled Nut (CC).

### ADJUST HANGING WIRE

#### 4. Adjust Hanging Wire

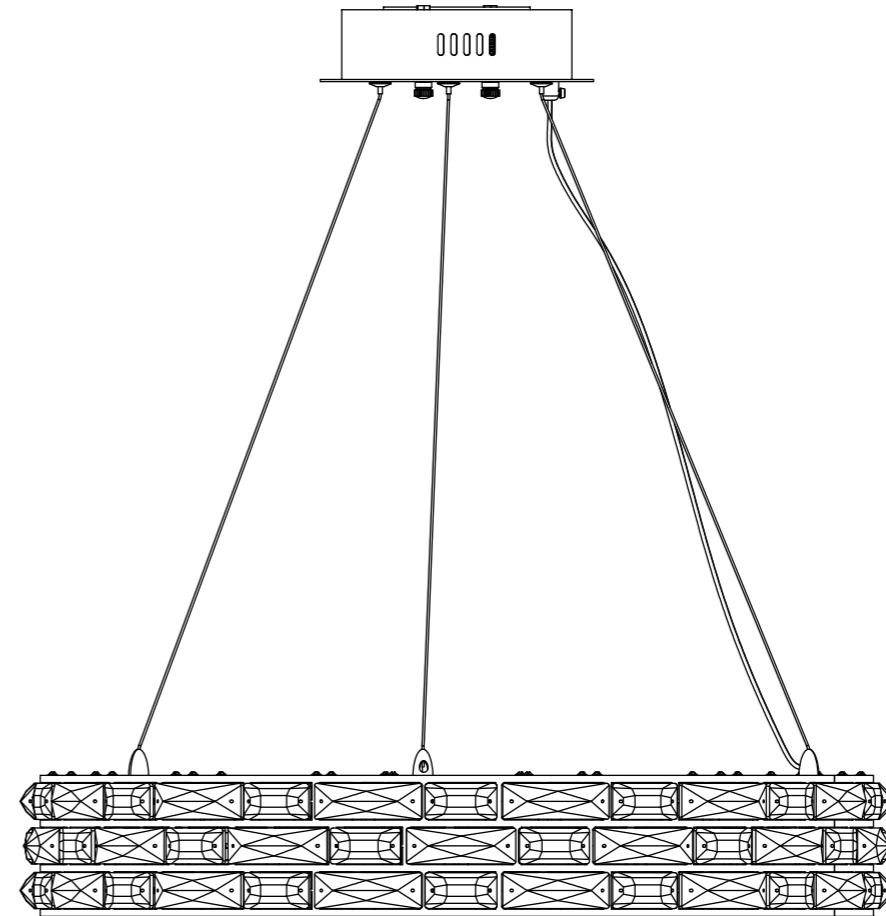


**Step 5:** Press the Wire Locker to adjust the desired length of Hanging Wire.

# INSTALLATION MANUAL

## CHANDELIER

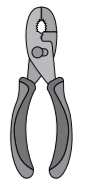
Model No.: HLP309C-1A



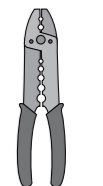
### TOOLS REQUIRED



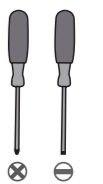
Ladder



Pliers

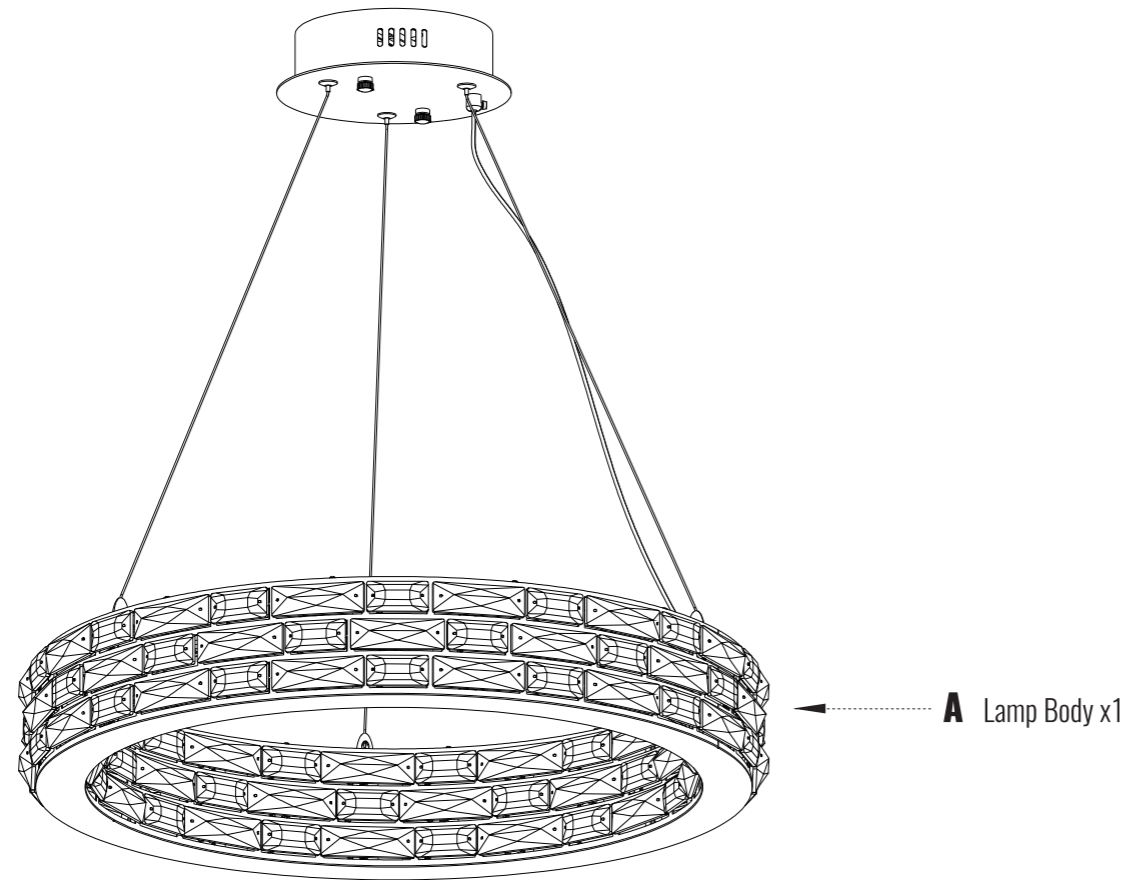


Wire  
Strippers

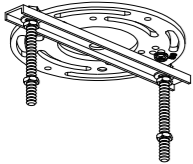
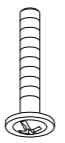
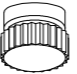

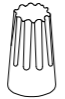



Screwdrivers

# PACKING LIST



# INSTALLATION KIT

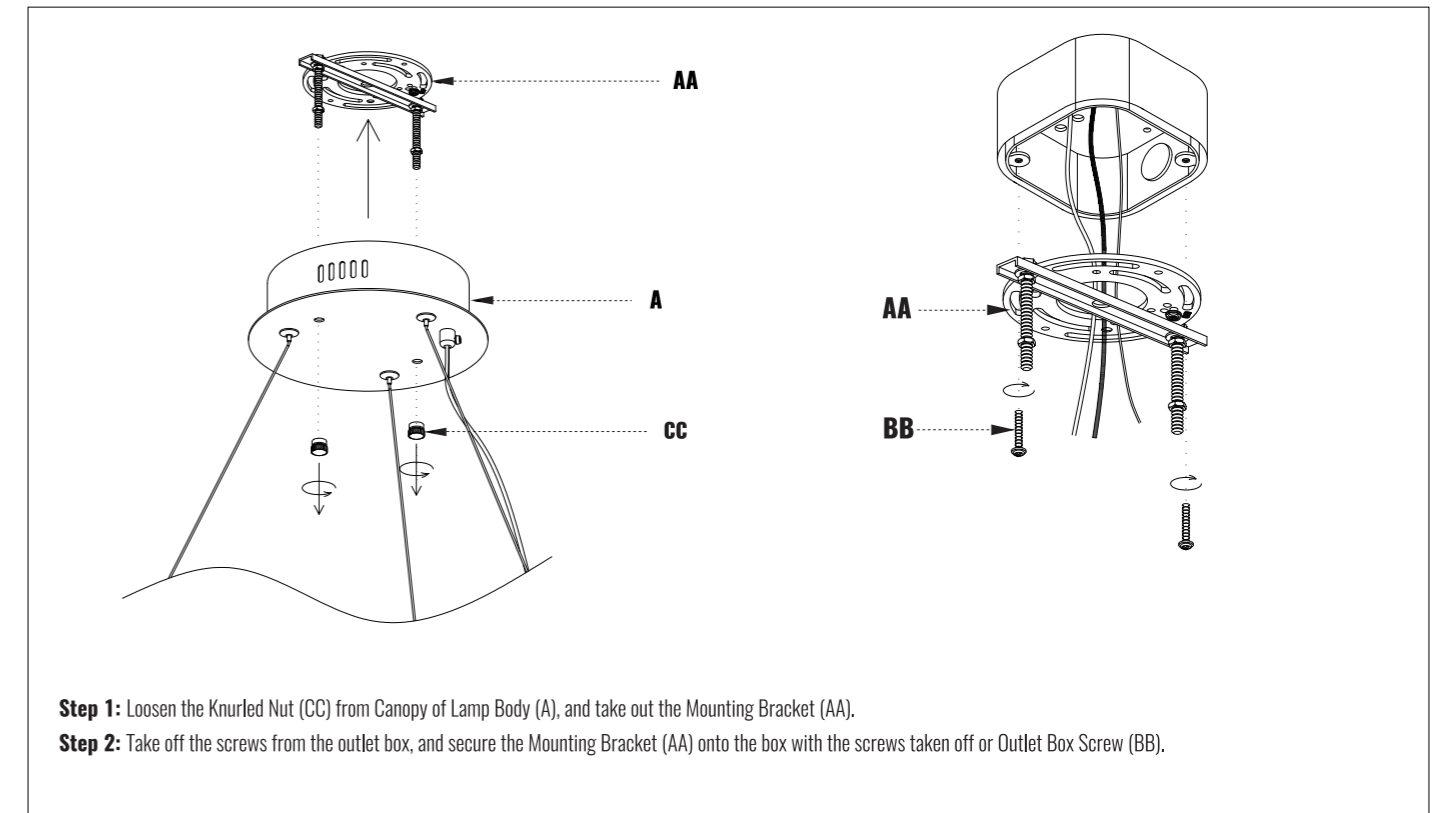
<b>AA</b>	 Mounting Bracket	1×	<b>BB</b>	 Outlet Box Screw	2×	<b>CC</b>	 Knurled Nut	2×
<b>DD</b>	 Ground Screw	1×	<b>EE</b>	 Wire Nut	3×	<b>FF</b>	 Gloves	1×

**NOTE:**

1. DD have already been pre-installed with AA, AA/CC have already been pre-installed together with Canopy of Lamp Body (A).

# MOUNTING AND WIRE

## 1. Install the Mounting Bracket



## 2. Connect the Wires

