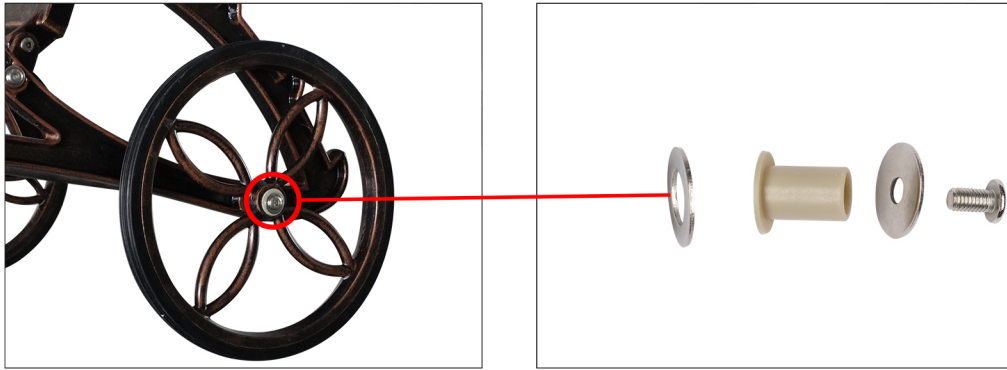
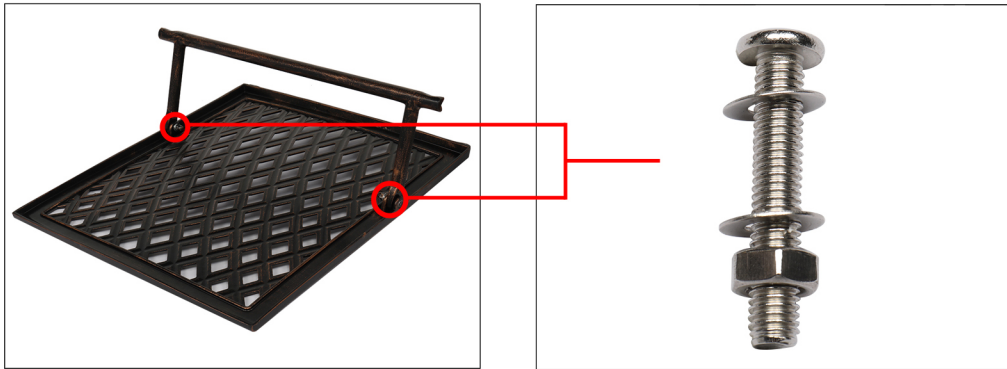


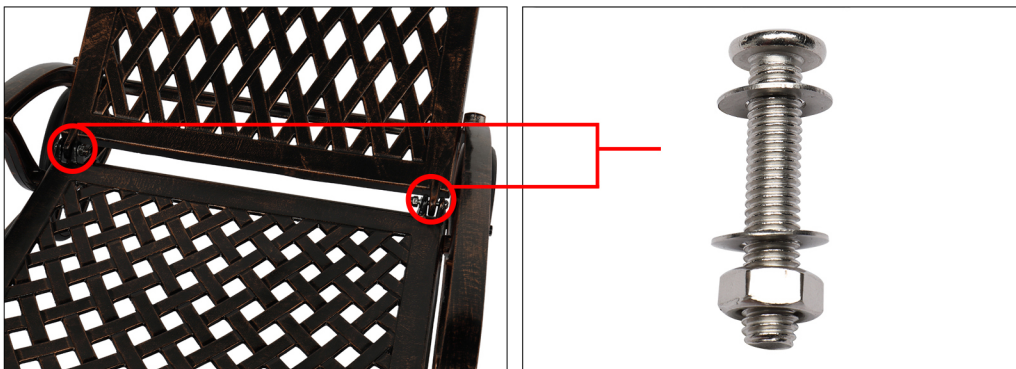
4. Connect Wheels (G) to the arms (D) with (J).



5. Connect Back (B) & Supporting axle (E) with (K).



6. Connect seat (A) with back (B) with (L). Adjust the foot pads to stand evenly



# Chaise Lounge Installation Instruction

## CAUTION:

- Please read the instruction manual carefully before assembling it.
- Please assemble strictly in accordance with the instruction.
- Please double check to the ensure that all parts of the package contents intact.

## PARTS & HARDWARES LIST



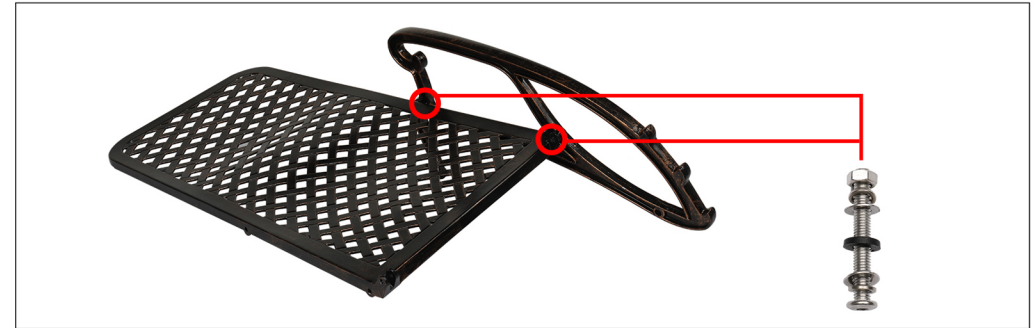
NO.	DESCRIPTION	QTY
A	Seat	1
B	Back	1
C	Legs	2
D	Arms(left&right)	2
E	Supporting axle	1
F	Wheel axle	1
G	Wheels	2

# Installation steps

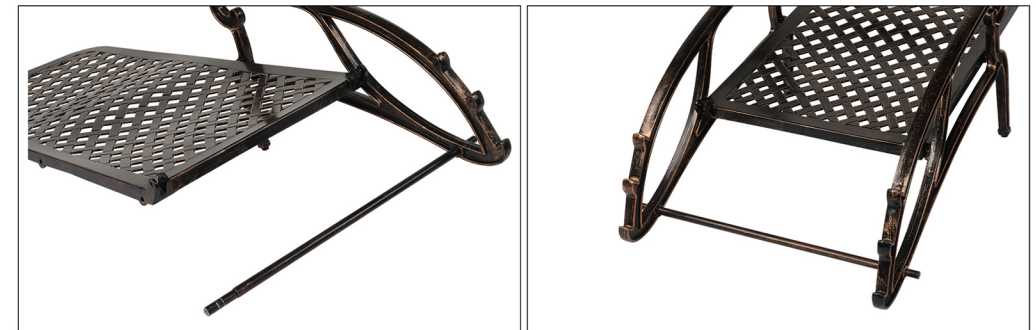
**Note: PLEASE DO NOT OVER TIGHTEN**

(Aluminum is soft metal; Over tightening may strip thread or break parts)

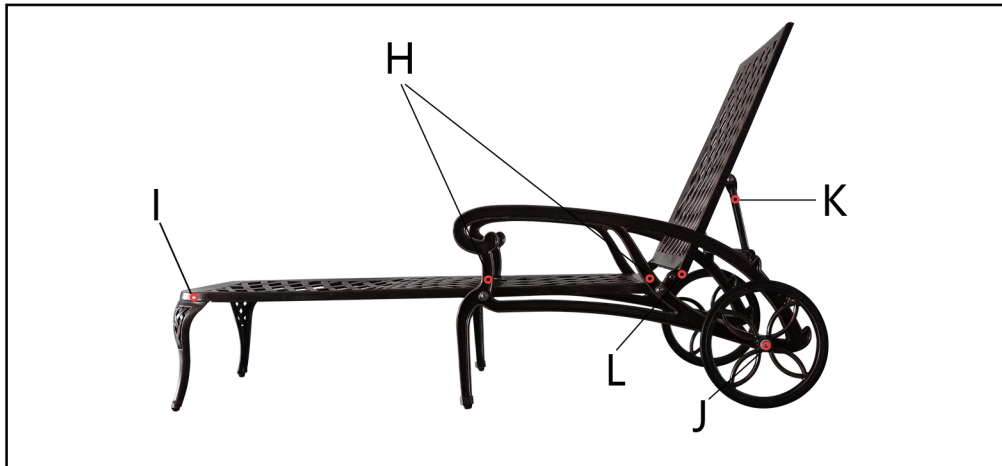
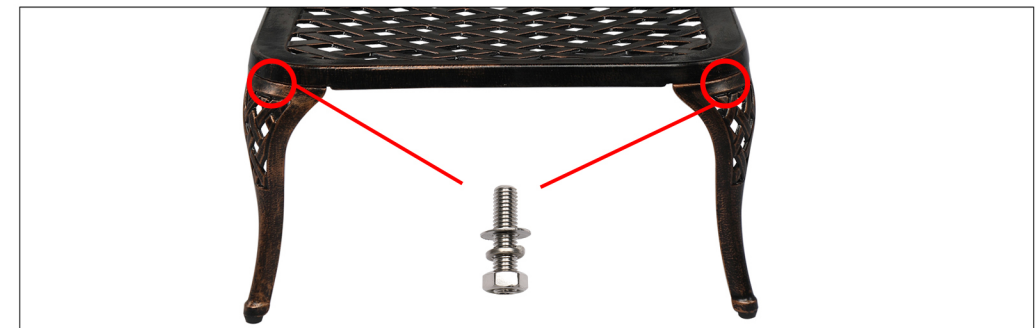
**1. Connect seat (A) to one of the arms (D) with (H).**



**2. Connect 2 arms with wheel axle, and then connect seat (A) to another arms (D)**



**3. Fix 2 legs to seat with (I).**



NO.	Image	Description	QTY	NO.	Image	Description	QTY
H		1*M8x60mm FLAT HEAD SCREW 2*M8 SPRING WASHER 2*M8 FLAT WASHER 1*M8 SPACER 1*M8 NUT	4	L		1*M8x40mm FLAT HEAD SCREW 2*M8 FLAT WASHER 1*M8 NUT	2
I		1*M8x35mm STUD BOLT 1*M8 SPRING WASHER 1*M8 FLAT WASHER 1*M8 NUT	4	M		1*WRENCH	1
J		1*M8x15mm FLAT HEAD SCREW 1*M8 FLAT WASHER 1*M8 ABS PLASTIC 1*M16 FLAT WASHER	2	N		2*ALLEN WRENCH	2
K		1*M8x45mm FLAT HEAD SCREW 2*M8 FLAT WASHER 1*M8 NUT	2	O		1*SOCKET WRENCH	1