

# Assembly Instructions

---

Thank you for  
purchasing a  
product

For a chance to win a voucher  
simply post a picture of your new product on  
your preferred social channels tagging .  
One winner will be selected at random each month.

\*Terms & conditions may apply.

---

## ASSEMBLY INSTRUCTIONS 6 DRAWER FLUTED CHEST

---

IMPORTANT: READ THESE INSTRUCTIONS CAREFULLY BEFORE ASSEMBLING OR USING YOUR 6 DRAWER FLUTED CHEST.

PLEASE KEEP THESE INSTRUCTIONS FOR FUTURE REFERENCE.

### **ASSEMBLY:**

Assembly should be carried out with this item laying flat, not standing upright.

Assemble on a soft, clean surface to prevent damages.

To erase the numbers printed on the pieces, use the rubber inside the accessories pack.

### **HEALTH & SAFETY:**

DO NOT use this product if any parts are missing, damaged or worn.

DO NOT use this product unless all fixings are secured.

Always use on a level, even surface.

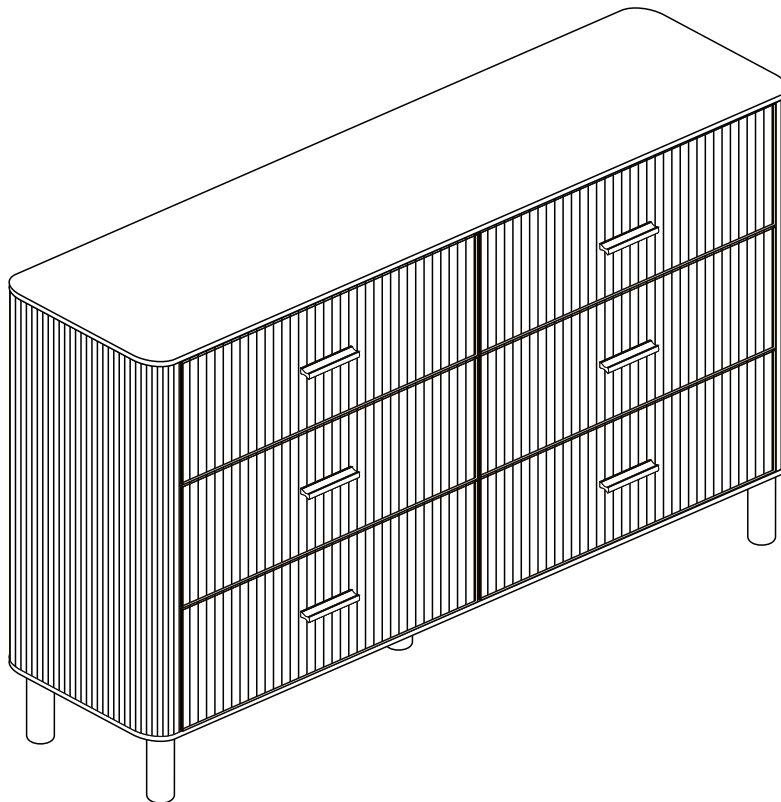
### **CARE & MAINTENANCE:**

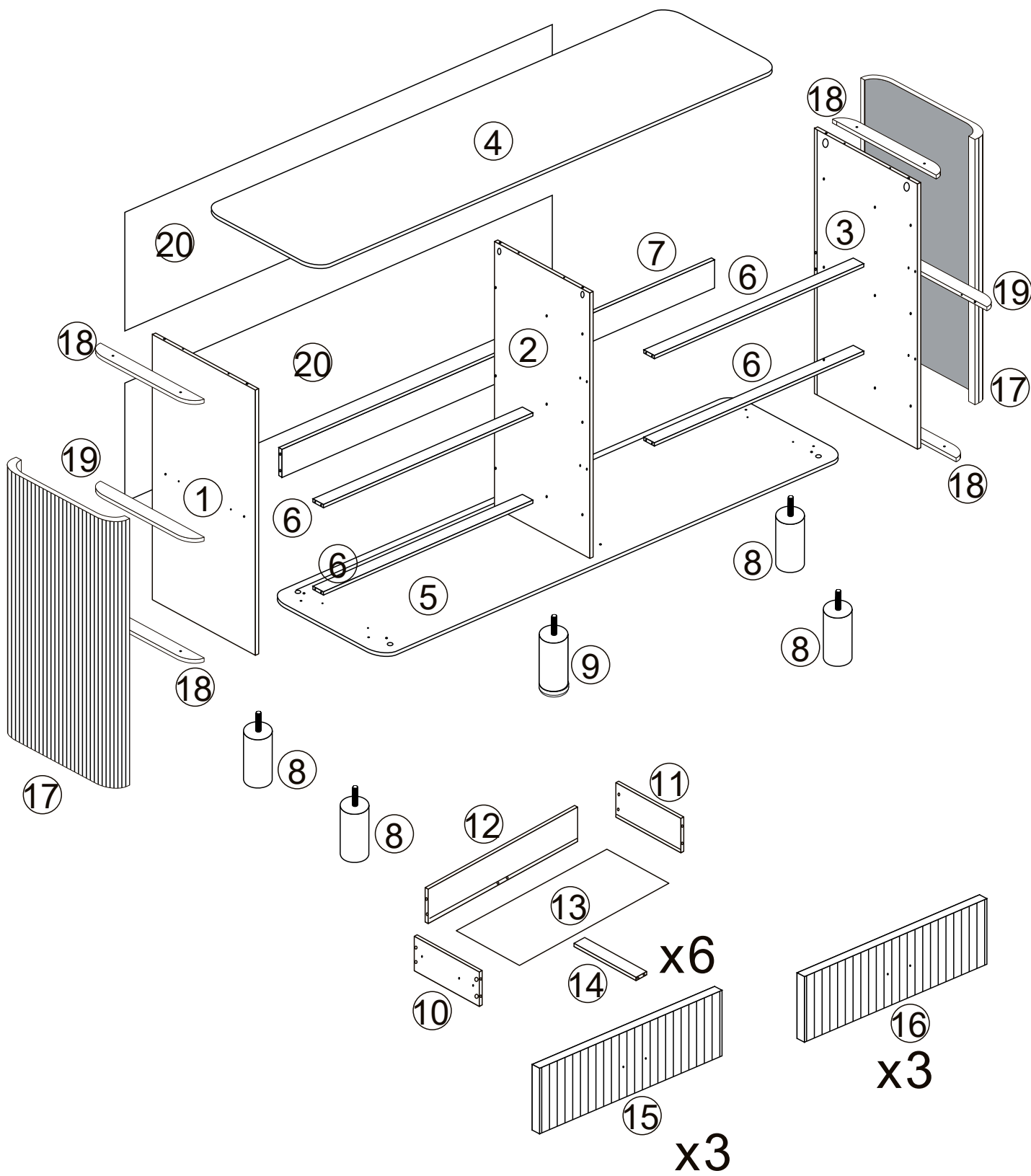
Periodically check all screws & fixings to ensure they are secure.

DO NOT push this product as this will cause damage.

Always lift this product with two people to repositions.

Keep any sharp objects away from this product.





Parts List				Hardware List		
Part	Description	Box	QTY	Part	Description	QTY
1	Side Panel(Left)	1	1	A	Cam Bolt 	48
2	Side Panel(Middle)	1	1	B	Cam Lock 	48
3	Side Panel(Right)	1	1	C	Wooden Dowel(M6X30MM) 	26
4	Top Panel	2	1	D	Screw(M4X35MM) 	40
5	Bottom Panel	2	1	E	Handle Set 	6
6	Connect Panel	2	4	F	Screw(M4X25MM) 	8
7	Back Rail	2	1	G	Screw(M3X12MM) 	72
8	Wooden Leg	1	4	H	Foot Pad 	4
9	Middle Wooden Leg	1	1	I	Plastic Wedge Set 	12
10	Drawer Side Panel(Left)	2	6	J	Screw 	7
11	Drawer Side Panel(Right)	2	6	K	Sticker 	24
12	Drawer Back Panel	2	6	L	Allen Key 	1
13	Drawer Bottom Panel	2	6	M	Washer 	2
14	Drawer Support Rail	2	6	N	Safe Strap 	2
15	Drawer Front Panel(Left)	1	3	Q	Screw(M4X14MM) 	6
16	Drawer Front Panel(Right)	1	3	O	Rail 	12
17	Side Frame Panel	2	2	P	Rail 	12
18	Connect Panel	2	4	R	Metal Sheet 	1
19	Connect Panel	2	2	S	Wooden Dowel(M6x50mm) 	2
20	Back Panel	2	2			

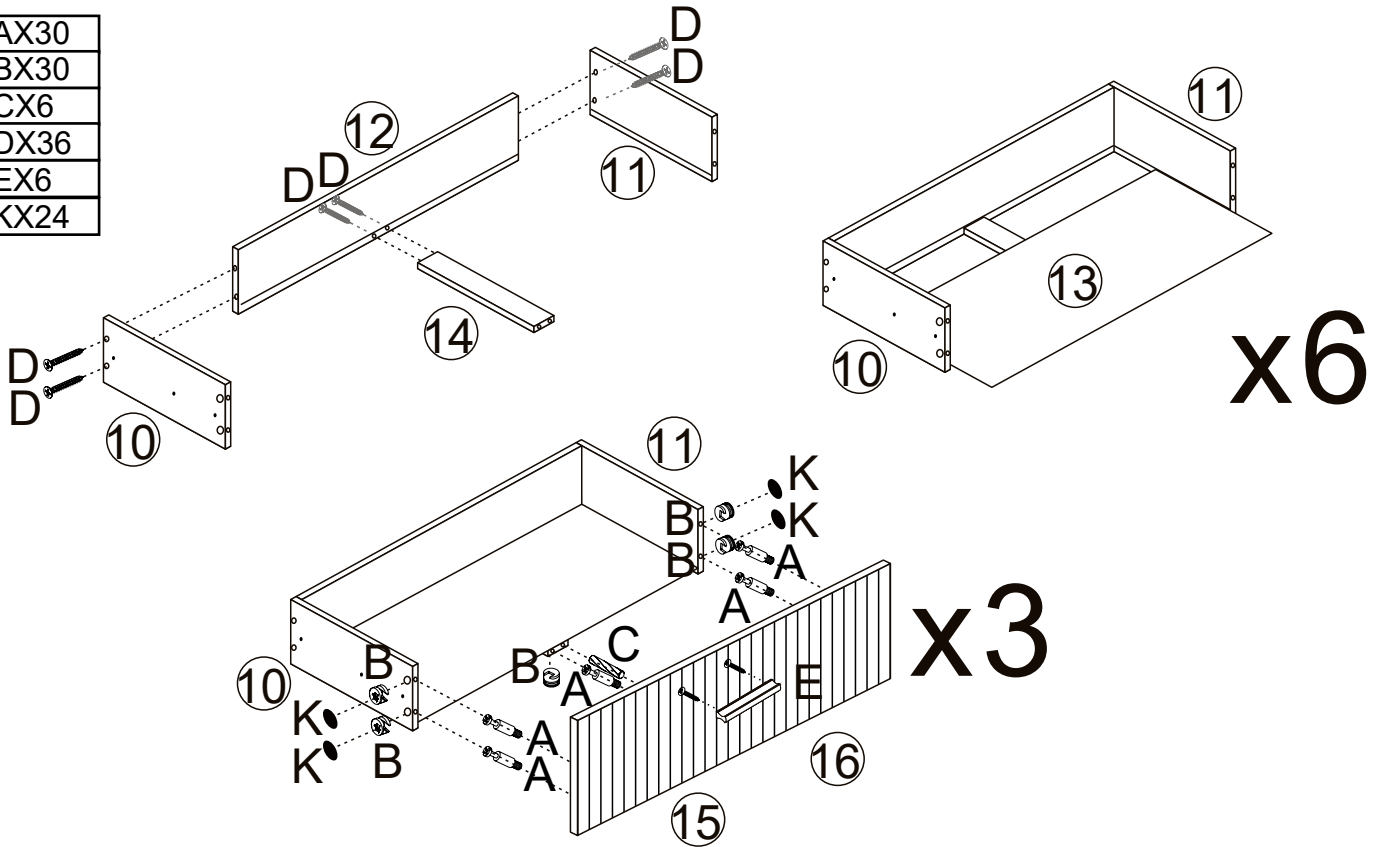
**\*\* You will need a small mallet and a screwdriver for assembly.**

**\*\* Some screws and wooden dowel may remain.**

**\*\* Note : To secure the item to the wall.**

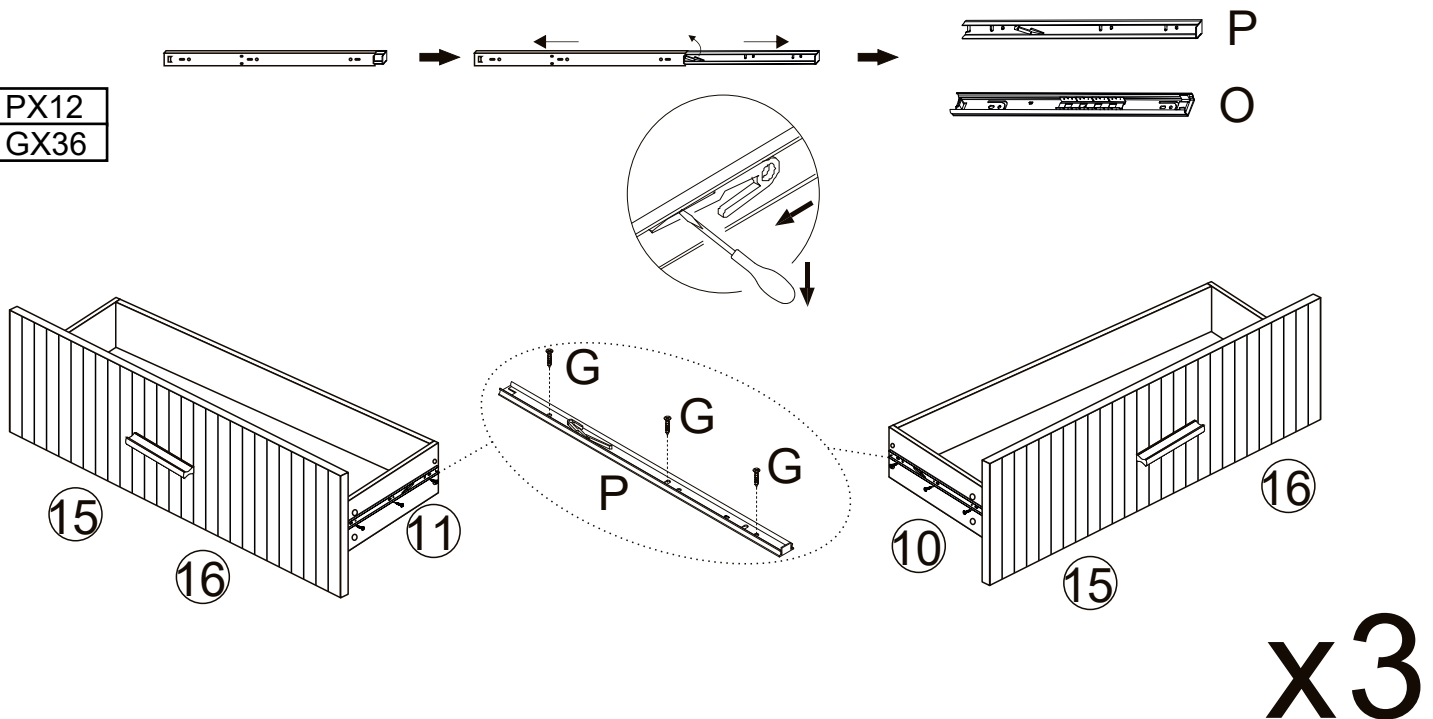
**STEP 1:** Attach drawer back panel(12) to drawer side panel(10),(11), drawer support rail(14) using hardware (D);Insert the bottom panel(13) before assembly the drawer front panel(15), (16); Attach the drawer front panel(15),(16) by hardware (A,B,C,K);and then,assemble the handle(E); **DO NOT use any power tools as this may damage the frame and will invalidate any claim.**

AX30
BX30
CX6
DX36
EX6
KX24



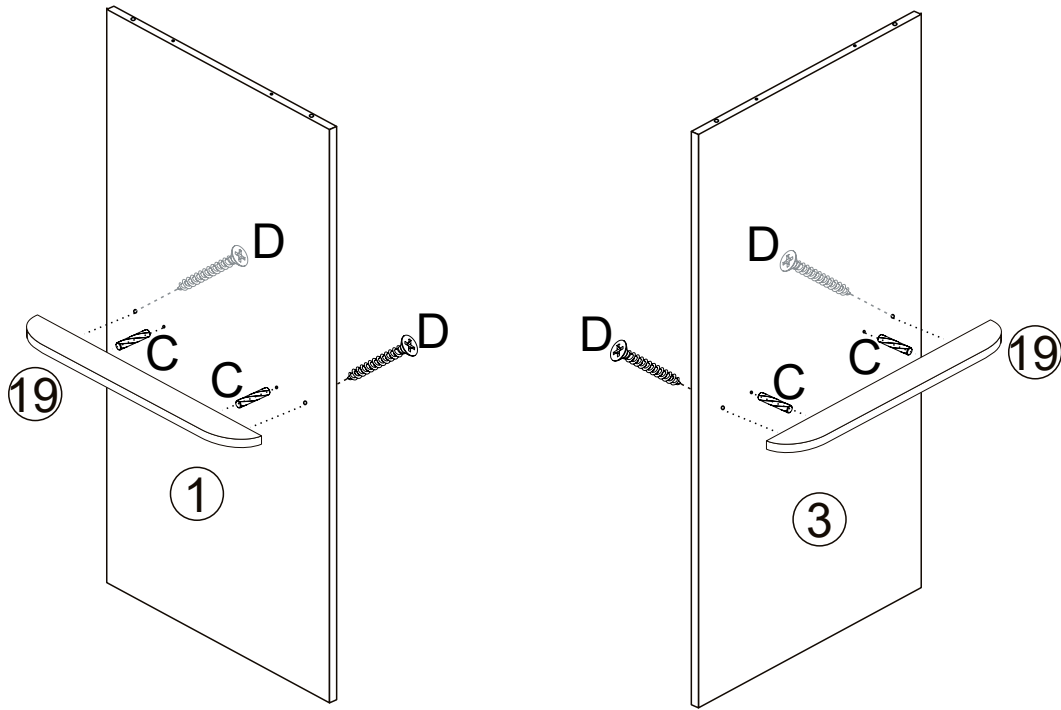
**STEP 2:** Open the expansion track as shown in the diagram below; Then,attach the runner(P) on left&right side panel(10),(11) by hardware (G); **DO NOT use any power tools as this may damage the frame and will invalidate any claim.**

PX12
GX36



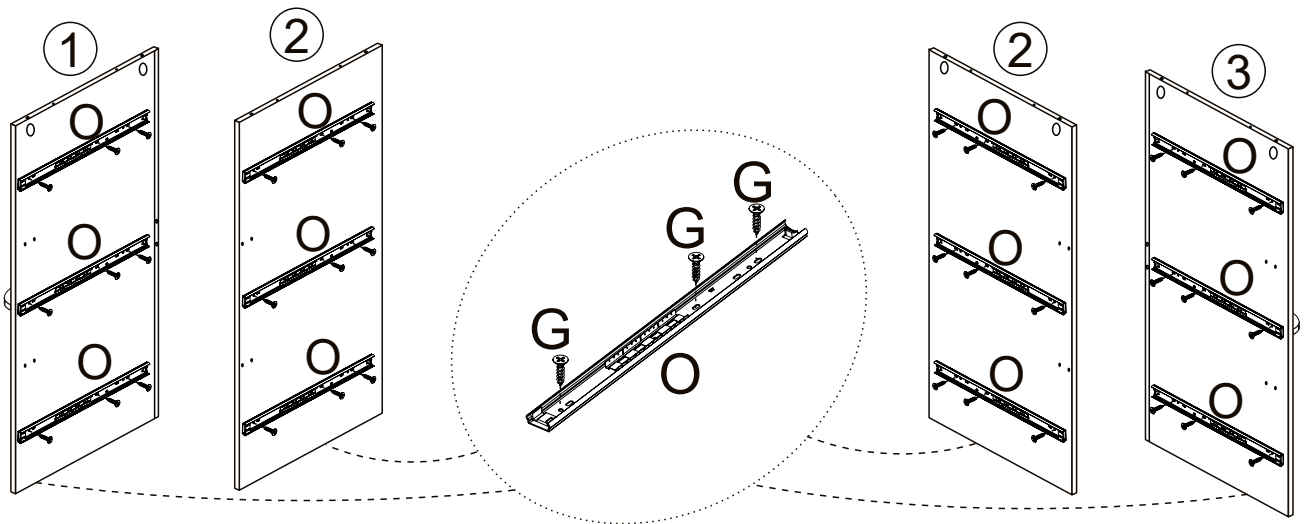
**STEP 3:** Connect panel(19) with side panel(1),(3) by hardware (C,D);  
**DO NOT use any power tools as this may damage the frame and will invalidate any claim.**

CX4
DX4



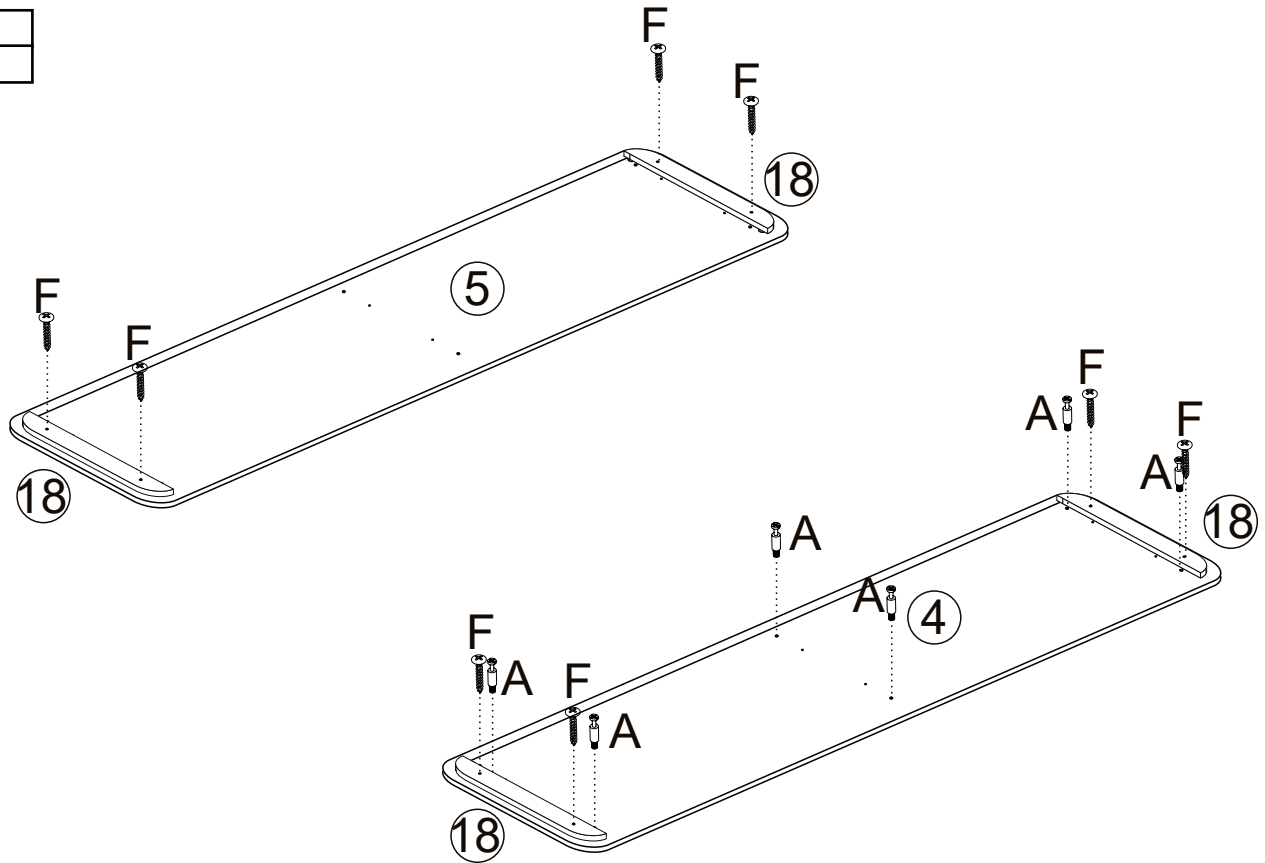
**STEP 4:** Attach the runner(O) on left&right side panel(1),(3) by hardware (G);  
 Attach the runner(O) on left&right of side panel(2) by hardware (G);  
**DO NOT use any power tools as this may damage the frame and will invalidate any claim.**

GX36
OX12



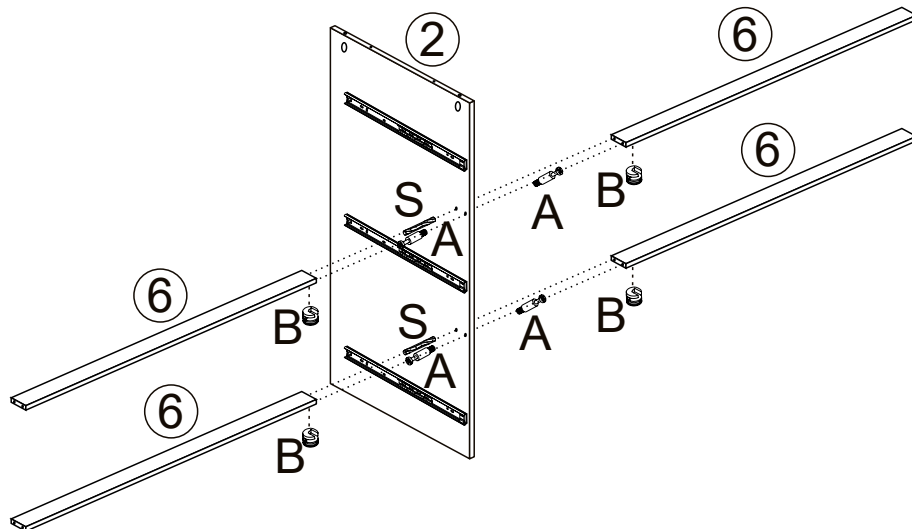
**STEP 5:** Connect panel(18) with bottom panel(5) by hardware (F);  
 Connect panel(18) with top panel(4) by hardware (F);  
 Attach the hardware (A) on the top panel (4).  
**DO NOT use any power tools as this may damage the frame and will invalidate any claim.**

AX6
FX8



**STEP 6:** Assemble four pieces panel(6) with middle side panel(2) by hardware (A,B,S);  
**DO NOT use any power tools as this may damage the frame and will invalidate any claim.**

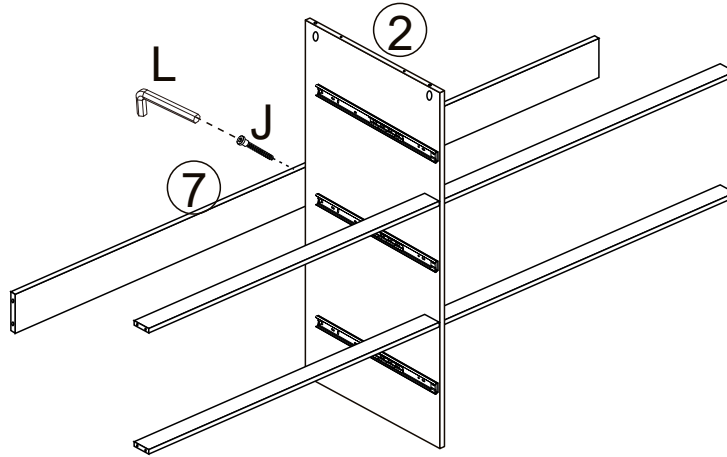
AX4
BX4
SX2



**STEP 7:** Attach back rail (7) with middle side panel(2) by hardware (J,L);

**DO NOT use any power tools as this may damage the frame and will invalidate any claim.**

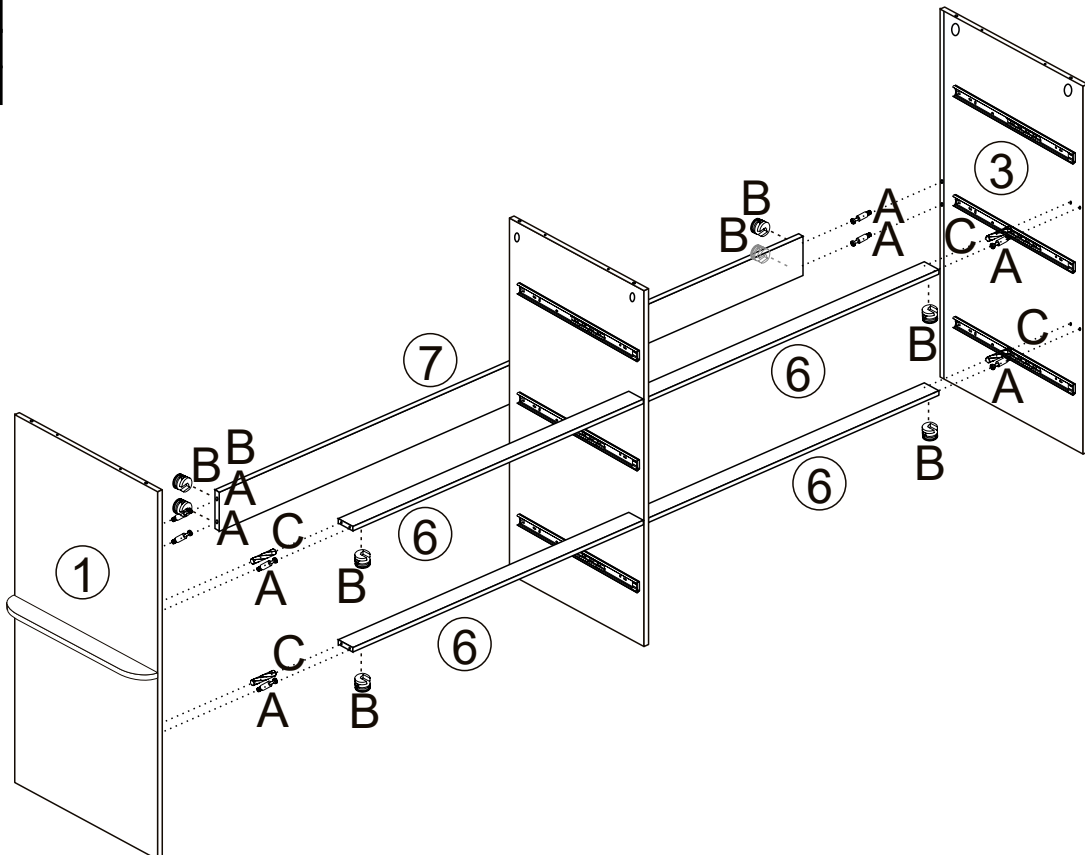
JX1
LX1



**STEP 8:** Attach the side panel (1), (3) with connect panel (6), back rail(7) by hardware (A,B,C);

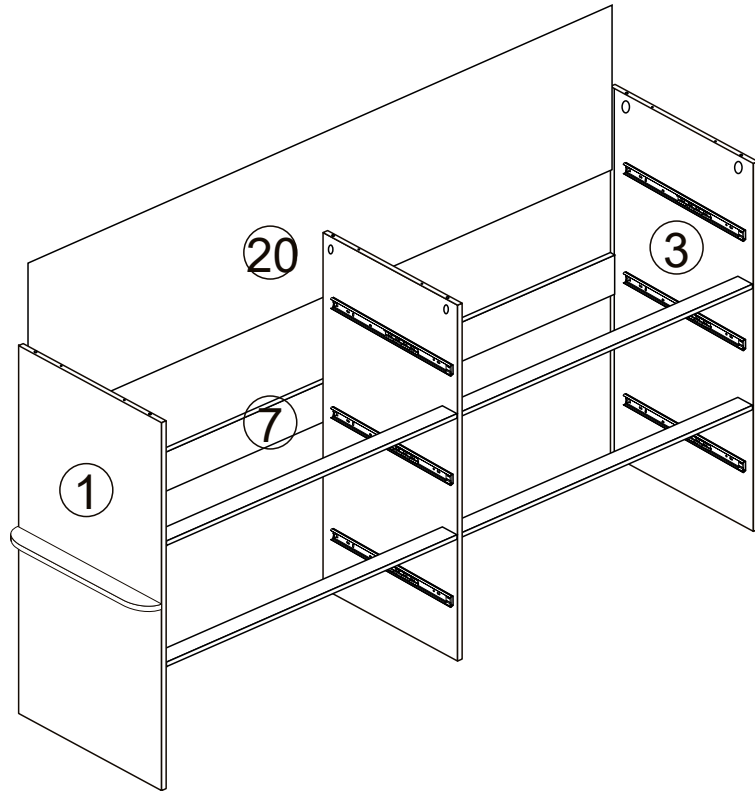
**DO NOT use any power tools as this may damage the frame and will invalidate any claim.**

AX8
BX8
CX4



**STEP 9:** Insert the top back panel (20) with chest frame

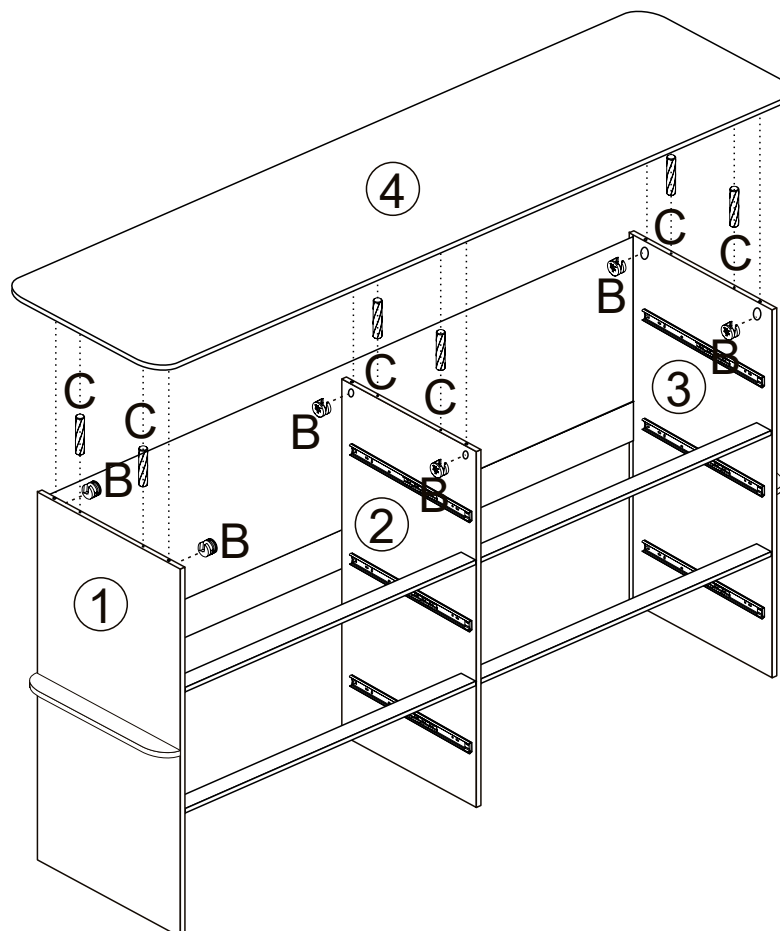
**DO NOT use any power tools as this may damage the frame and will invalidate any claim.**



**STEP 10:** Attach the top panel (4) with the chest frame by hardware (B,C)

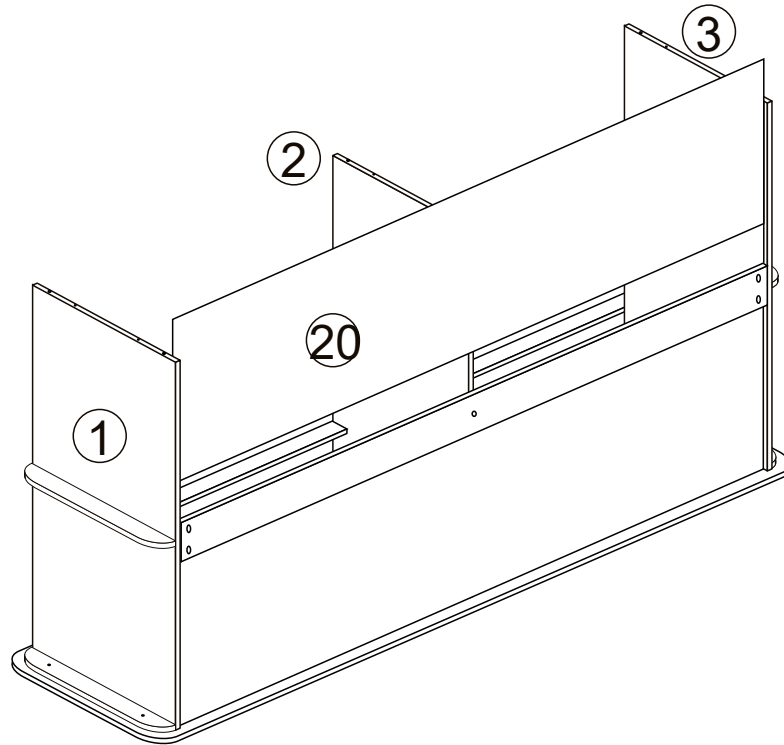
**DO NOT use any power tools as this may damage the frame and will invalidate any claim.**

BX6
CX6



**STEP 11:** Insert the back panel (20) with chest frame

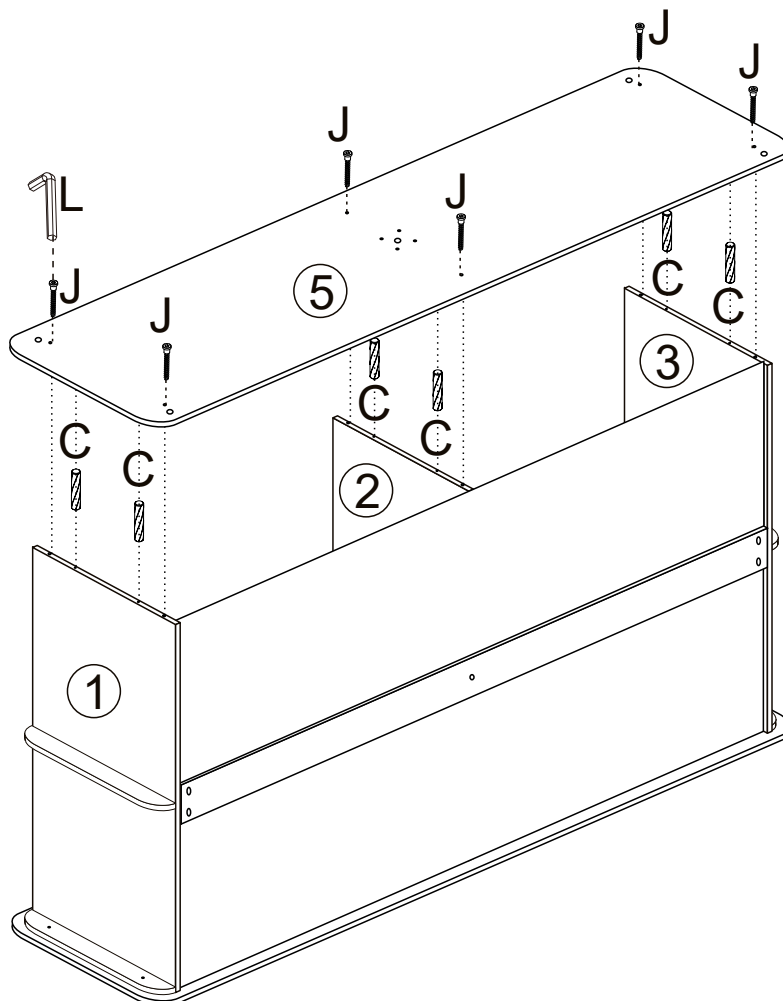
**DO NOT use any power tools as this may damage the frame and will invalidate any claim.**



**STEP 12:** Attach the bottom panel (5) with the chest frame by hardware (C,J,L)

**DO NOT use any power tools as this may damage the frame and will invalidate any claim.**

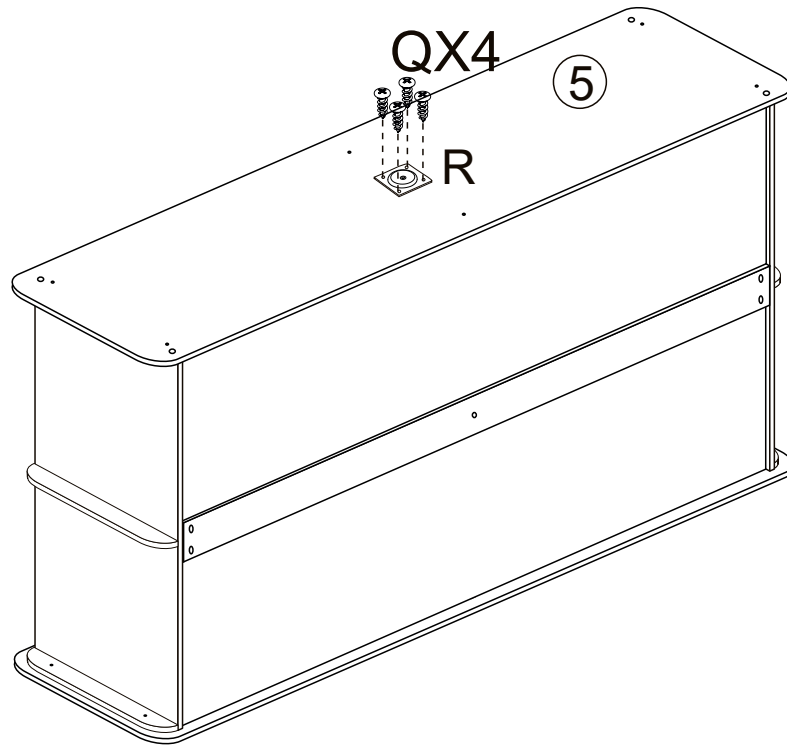
CX6
JX6
LX1



**STEP 13:** Attach the hardware (R) on the bottom panel (5) by hardware (Q).

**DO NOT use any power tools as this may damage the frame and will invalidate any claim.**

QX4
RX1

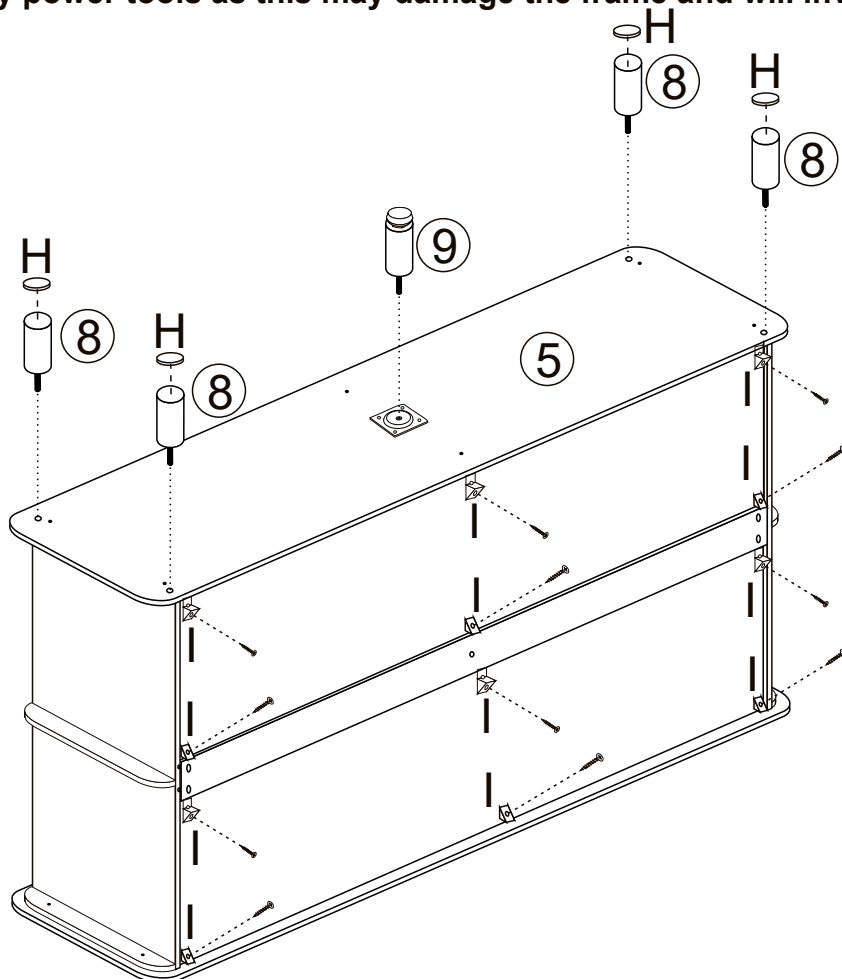


**STEP 14:** Insert the leg(8),(9); Then, attach the foot pad (H).

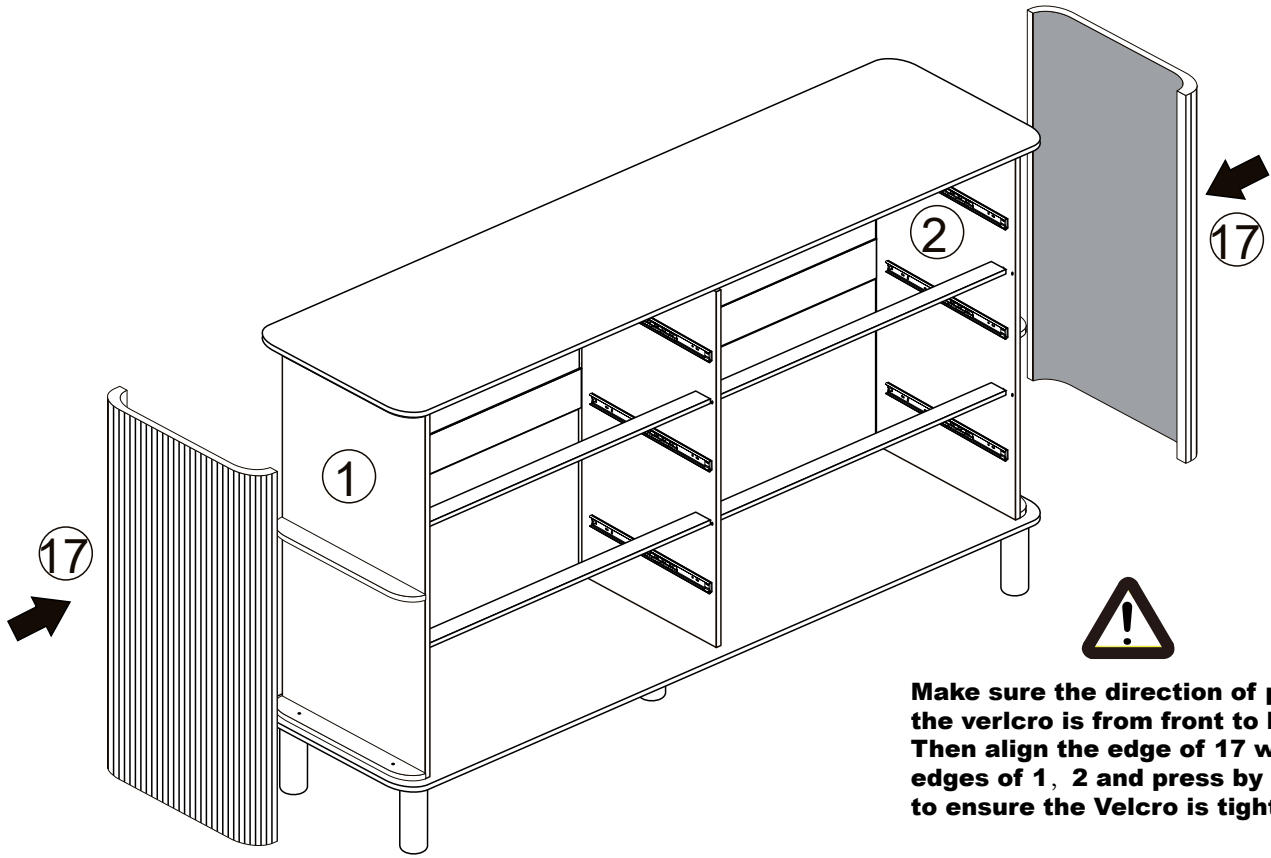
Attach the hardware (I) on the back.

**DO NOT use any power tools as this may damage the frame and will invalidate any claim.**

HX4
IX12



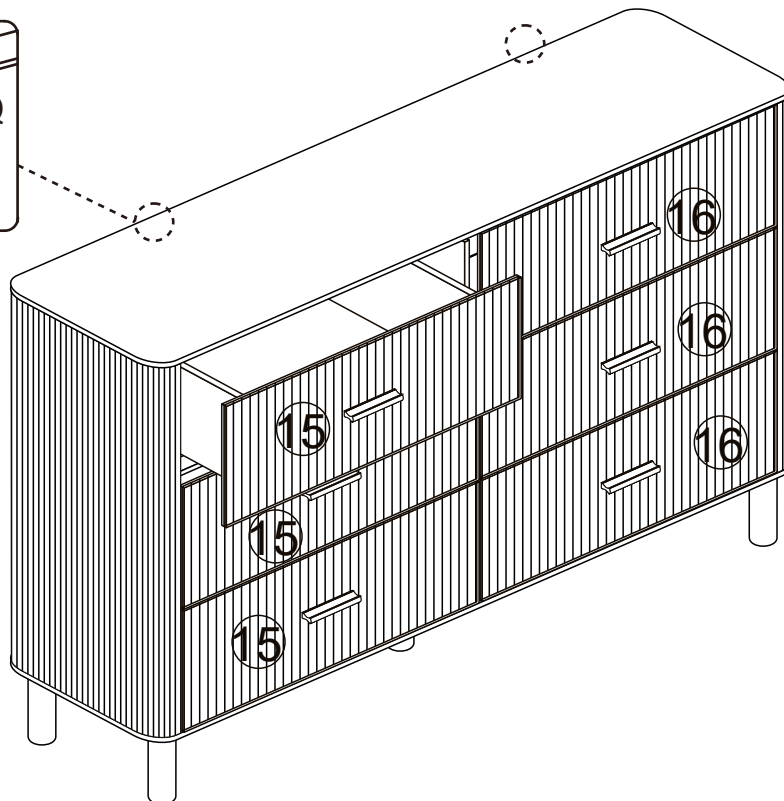
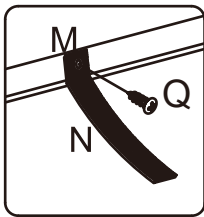
**STEP 15:** Attach the side frame panel(17)and then press to make sure the velcro is sticking.  
**DO NOT** use any power tools as this may damage the frame and will invalidate any claim.



**Make sure the direction of pasting the velcro is from front to back. Then align the edge of 17 with the edges of 1, 2 and press by hand to ensure the Velcro is tight.**

**STEP 16:** Secure the safety strap(N) by hardware (M,Q).  
**DO NOT** use any power tools as this may damage the frame and will invalidate any claim.

QX2
MX2
NX2



**PLEASE NOTE** that wall fixings are not supplied as different wall materials require different fixing devices. You must use fixings devices suitable for the type of wall you intend to mount product to. Ensure the head of any screw used has a diameter greater than the mounting hole and the fixing is safe and secure before use.



## **WARNING!**

In order to prevent overturning this product must be used with the wall attachment device provided. Serious or fatal crushing injuries can occur from furniture tipping over. To help prevent topple over:-

- Use the wall attachment devices provided
- Never allow children to climb or hang on drawers or doors
- Do not overload the drawer beyond maximum recommended loading
- Place heaviest items in the lower drawers or shelves
- Unless specifically designed to accommodate, do not set TV's or other heavy objects on top of this product
- Never open more than one drawer at a time
- Do not hang things from the doors

An attachment device is provided with your product, however you will need to source suitable fixings for your wall type. If in doubt consult a qualified trades person.

Always ensure that the wall to be drilled into is free from hidden electrical wire, water and gas pipe.

We advise that the wall straps provided should be used to further enhance the safety of this product.

### **Additional Information:**

- If you have any issues with your item please contact the retailer directly you purchased it from who will be able to resolve any issues with us.