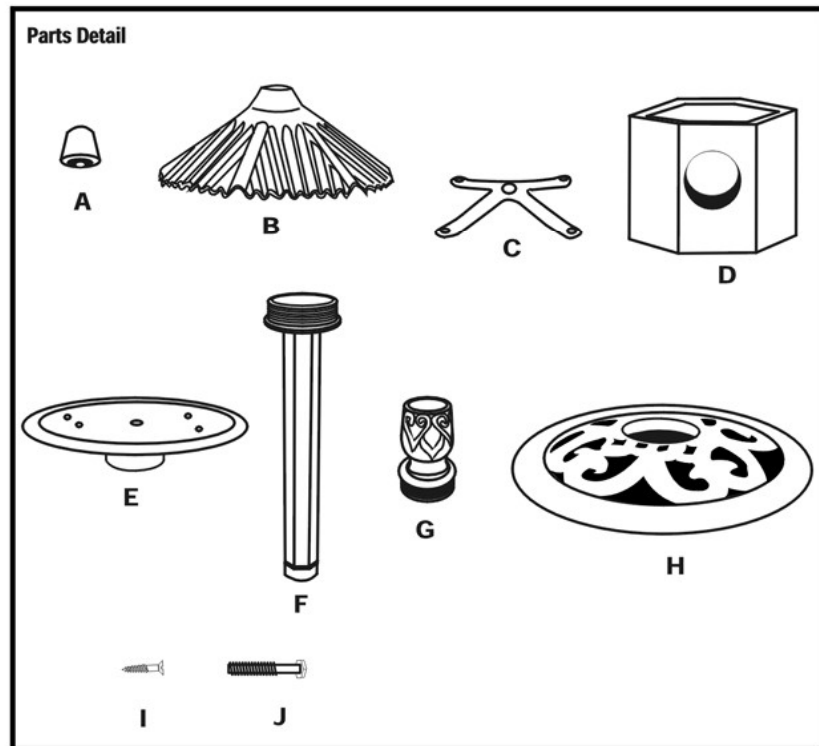


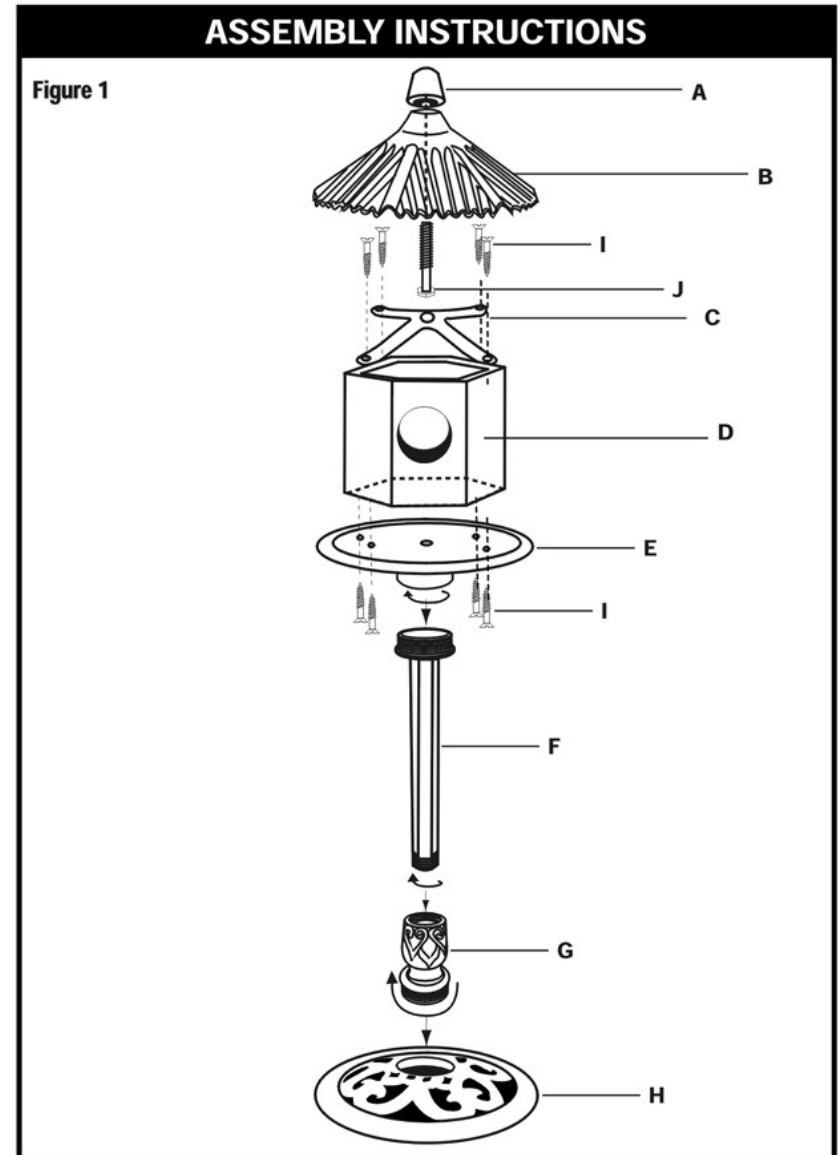
## Free-Standing Classic Heights Bird House



PARTS LIST		
PART #	DESCRIPTION	QUANTITY
A	Finial	1
B	Roof	1
C	Roof Connector	1
D	Bird House Walls	1
E	House Base	1
F	Post	1
G	Base Connector	1
H	Base	1
I	Screw	8
J	Bolt	1



Carefully remove the contents from the package. If any parts are missing do not attempt to use the product until they have been obtained and correctly installed.



1. Thread post/base connector (G) into the base (H). Thread post (F) into post/base connector (G).
2. Thread feeder base (E) onto the post (F). Rotating clockwise to tighten.
3. Secure bird house walls (D) onto house base (E) using screws (I) as shown.
4. Place the bolt (J) through roof connector (C) and roof (B). Thread the finial (A) onto the bolt. Do not tighten the finial completely until the bird house walls are attached to the roof assembly.
5. Attach roof connector (C) onto feeder housing (D) using screws (I) as shown.