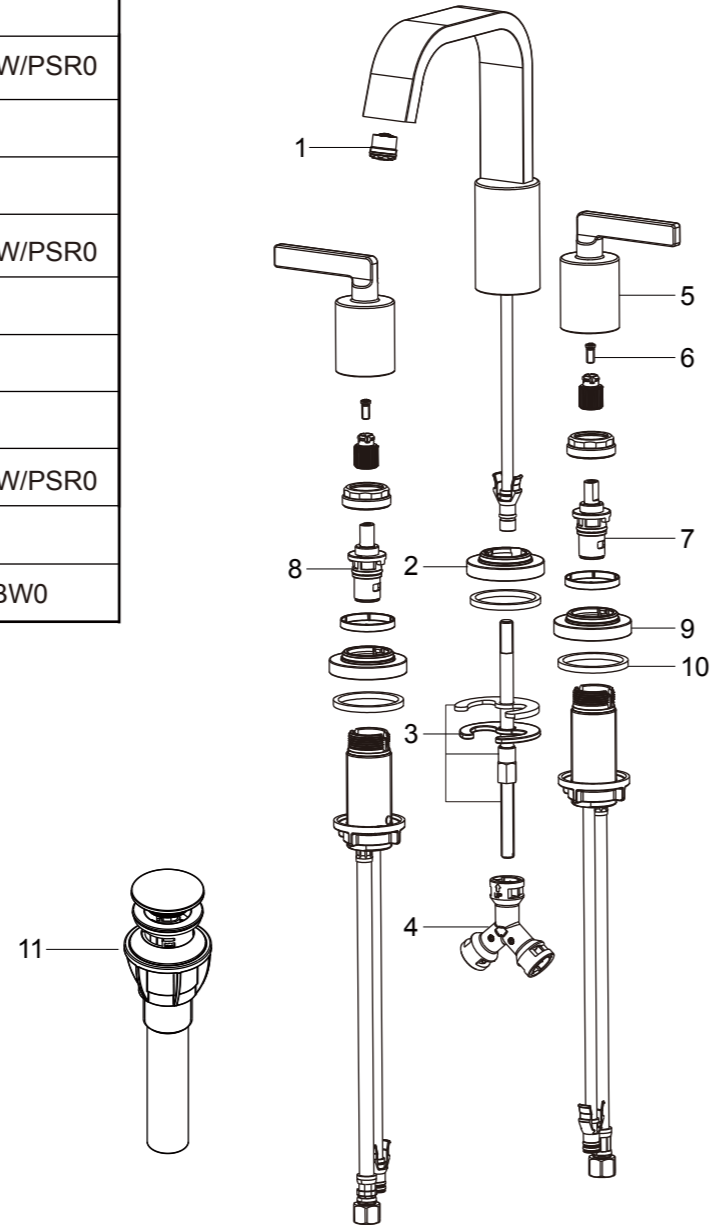


NO.	Description	Part No.
1	Aerator	5E0005200PL0
2	Base Plate	5N0064901CP/AP/HA/HBW/PSR0
3	Mounting Hardware	5Y0227100NT0
4	Tee Connector	5J0038800PL0
5	Handle	5C0078700CP/AP/HA/HBW/PSR0
6	Set Screw	5T0F0241NT
7	Cartridge Assembly-Cold	5D8003600PL0
8	Cartridge Assembly-Hot	5D8003500PL0
9	Flange	5N0064900CP/AP/HA/HBW/PSR0
10	Washer	5R4020400PL0
11	Push Pop-Up Assembly	5Y0161903CP/PSR/HA/HBW0



Limited Lifetime Warranty

Ultra Faucets warrants to the original purchaser that its products will be free from defects in workmanship and materials. All Ultra Faucets are provided with a life time limited warranty. This warranty does not cover any other labor or service charges associated with the removal, repair, or reinstallation of Ultra Faucets products. This express warranty does not apply to products that have been damaged as a result of misuse, abuse, negligence, accident, faulty installation or maintenance practices and/or used in any manner contrary to those recommended by the manufacturer.

Need help? Please call our toll-free customer service line at 1-888-658-5872 for additional assistance or service.

Besoin d'aide? Veuillez communiquer avec notre service à la clientèle au numéro gratuit 1-888-658-5872 pour tous renseignements ou services complémentaires.

Ardua Collection

Two-Handle Widespread Lavatory Faucet



Installation/Installation/Instalación

CUSTOMER SERVICE

TOLL-FREE 1-888-OK-ULTRA (658-5872)

UF56700 - Polished Chrome

UF56703 - Brushed Nickel

UF56705 - Oil Rubbed Bronze

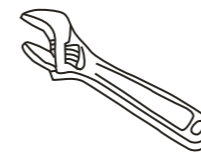
UF56707 - Matte Black

UF56708 - Brushed Gold

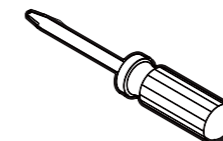
UF56709 - Spot Resist Brushed Nickel



Tools You Will Need / Outils dont vous aurez besoin / Herramientas necesarias



Adjustable Wrench
Clé à molette
Llave ajustable



Phillips Screwdriver
Tournevis Phillips
Destornillador cruciforme



Pipe Tape
Ruban pour tuyau
Cinta selladora para rosca



Groove joint pliers
Pince multiprise
Pinzas ajustables

SAFETY TIPS

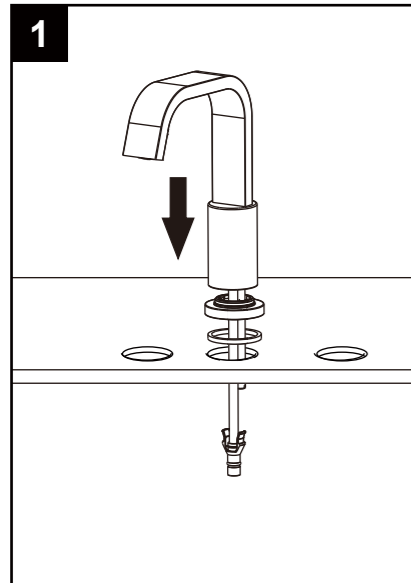
- If you use soldering for the installation of the faucet, the seats, cartridges and washers will have to be removed before using flame. Otherwise, warranty will be void on those parts.
- Cover your drain to avoid losing parts.
- 0°C~55°C.

CONSIGNES DE SÉCURITÉ

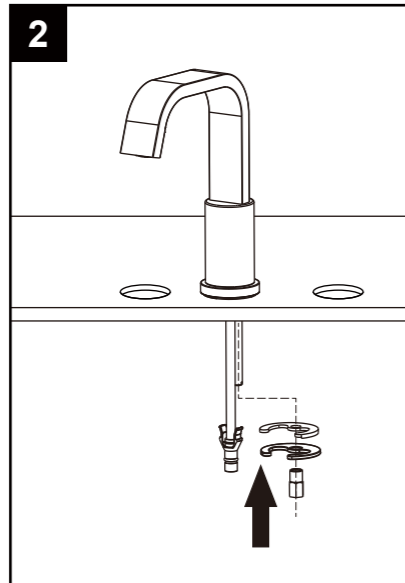
- Si vous posez le robinet par brasage, il est essentiel de retirer les sièges, les cartouches et les rondelles avant d'appliquer la flamme, faute de quoi la garantie sur ces pièces sera annulée.
- Couvrez le drain pour ne pas perdre des pièces.
- 0°C~55°C.

CONSEJOS DE SEGURIDAD

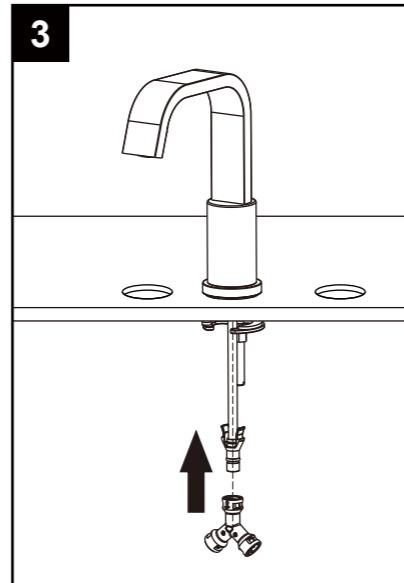
- En el caso de utilizar soldadura para instalar el grifo, remueva los asientos, cartuchos y arandelas antes de usar la llama. De lo contrario, se anulará la garantía para esos componentes.
- Tape la boca del desagüe para prevenir la pérdida de piezas pequeñas.
- 0°C~55°C.



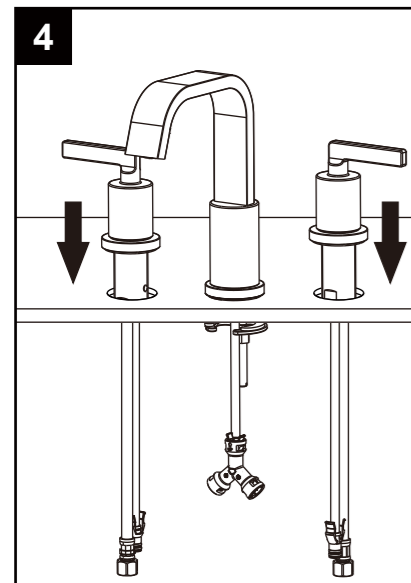
1
Install the faucet through the mounting hole.



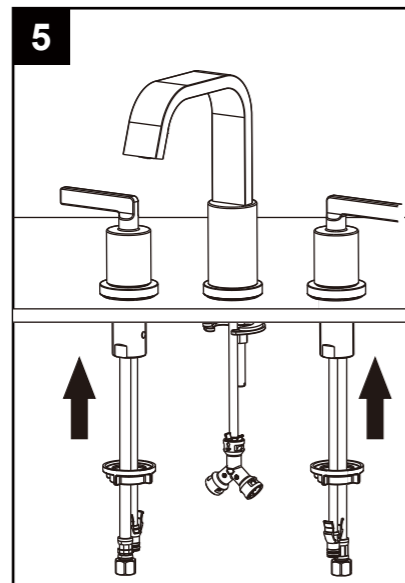
2
Carefully tighten spout mounting hardware to secure faucet.



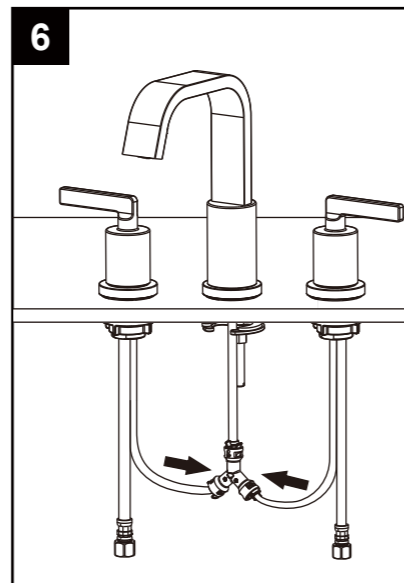
3
Install the tee assembly.



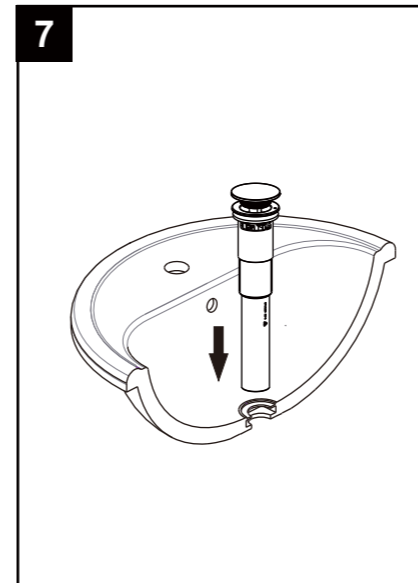
4
Lower the handle assembly into the mounting hole.



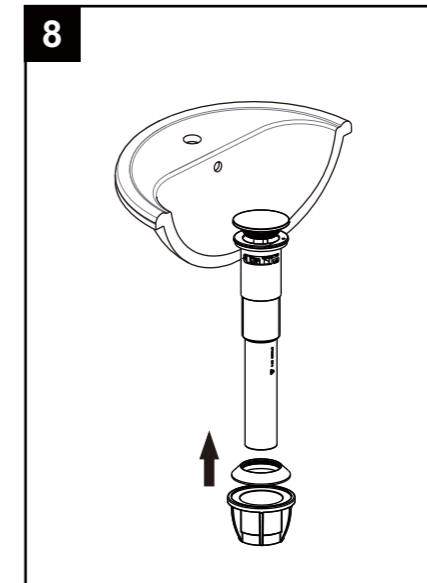
5
Tighten the mounting nut to secure the handle.



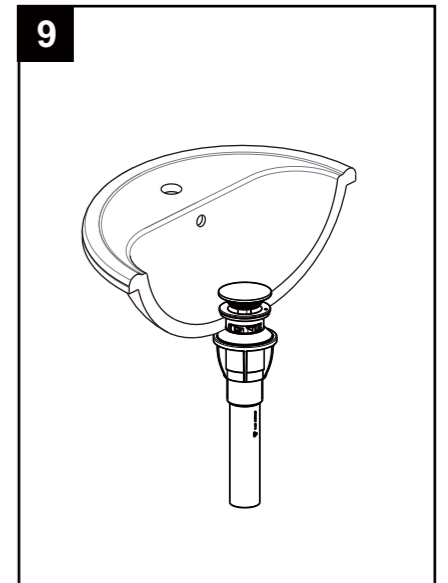
6
Connect the inlet hose to the faucet body and water inlet.



7
Slide push drain down into drain hole.



8
Tighten seal ring with plastic nut upwards and secure tight from below.



9
Complete the assembly.

