



Color Pine Wood Barn Door - Frame

**Installation Manual**

80in  
84in



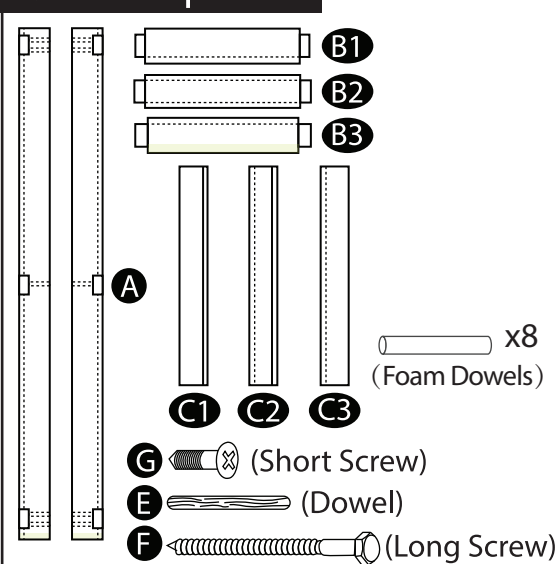

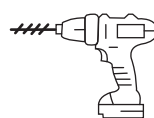
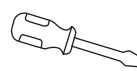
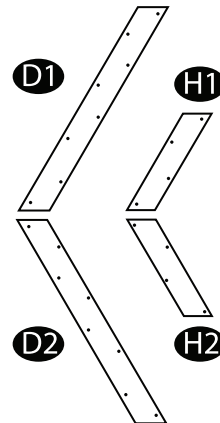
# SAFETY PRECAUTIONS

## !CAUTION!

- Power tools can cause serious damage if not professionally used. Safety gear must be worn before installation to prevent unexpected injuries.
- Pick an area free of hazardous condition before you start on the project. Please use tools and power tools responsibly any loss of control and accident deaths may occur due to abuse of tools.
- Big objects required in this project are needed to be carefully and responsibly moved. Be sure to wear safety gloves and shoes to prevent any serious injury.
- Be extremely careful to not put any parts of your body against a moving part of the hardware. This may cause bruising, punctures, and other results of injuries when for example when fingers are caught in the closing area of the doors.
- Precautions should be taken when opening or closing the door(s). Handles should be used when attempting to slide the door(s). Always keep you and children aware and safe from any unexpected situations.
- Any extreme uncontrolled pressure opening or closing the door(s) can damage the hardware gradually. Use handle(s) to open and close the door(s) with care at all times.

# HARDWARE INCLUDED

Please check that you have the correct quantity of hardware before installation.  
Different door sizes comes with different quantity of hardware.

Main Components	Tools Needed	Decorative Panels
	 Rubber Mallet   Drill or Phillip Screw Driver  	

## Checklist for items you should have for each door size.

Size	A	B1	B2	B3	C1	C2	C3	E	F	G
20in	2	1	1	1	2	2	2	10	10	64
22in	2	1	1	1	2	2	2	10	10	64
24in	2	1	1	1	2	4	2	10	10	64
26in	2	1	1	1	2	4	2	10	10	64
28in	2	1	1	1	2	6	2	10	10	64
30in	2	1	1	1	2	6	2	10	10	64
32in	2	1	1	1	2	6	2	10	10	64
34in	2	1	1	1	2	8	2	10	10	64
36in	2	1	1	1	2	8	2	10	10	64
38in	2	1	1	1	2	10	2	10	10	64
40in	2	1	1	1	2	10	2	10	10	64
42in	2	1	1	1	2	12	2	10	10	64
44in	2	1	1	1	2	12	2	10	10	64
46in	2	1	1	1	2	14	2	10	10	64
48in	2	1	1	1	2	14	2	10	10	64
54in	2	1	1	1	2	16	2	10	10	64
60in	2	1	1	1	2	20	2	10	10	64

## NOTICE

### G Screws

This hardware may come with more than needed. You can use the screws according to your door design that you have ordered.

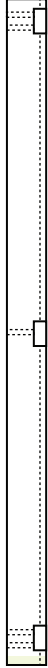

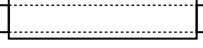
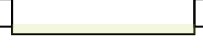
Please check list below for the panels you need to build your door design.

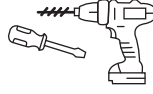
Door Design	D1	D2	H1	H2
H	0	0	0	0
Single X	1	1	2	2
Left Arrow	2	2	4	4
Right Arrow	2	2	0	0


# INSTRUCTIONS

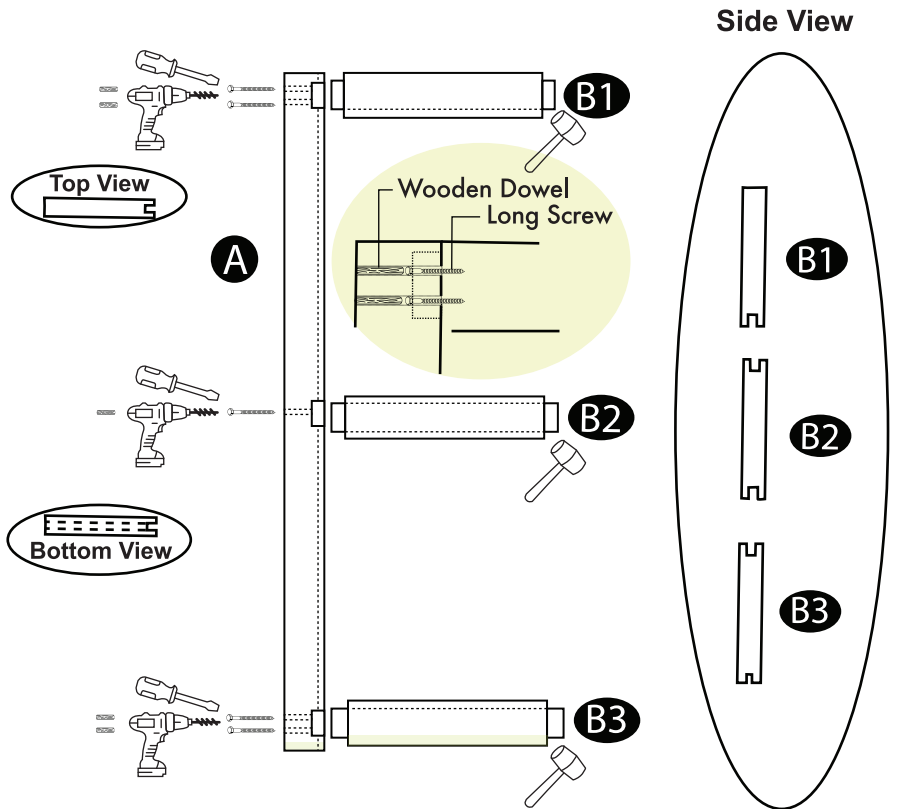
## STEP 1

**Components Needed**

- x1  **A**
- x1  **B1**
- x1  **B2**
- x1  **B3**
- Wooden Dowel **E** x5
- Long Screw **F** x5




Drill or Phillip Screw Driver 

Rubber Mallet 

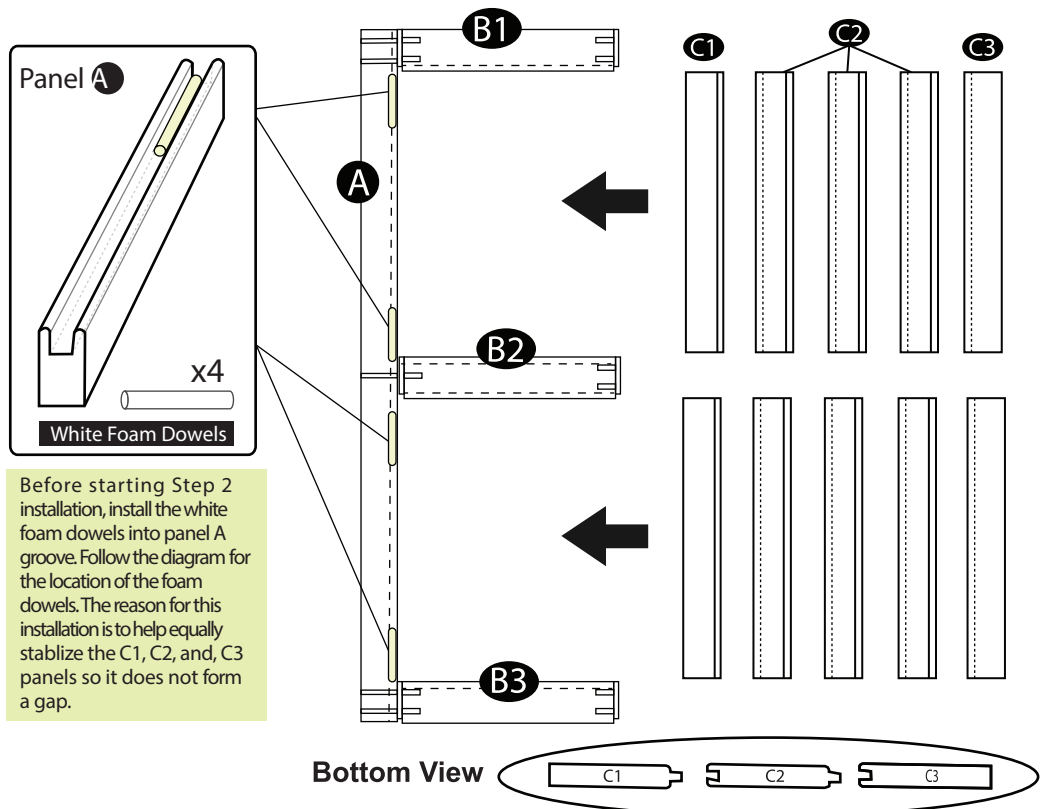


## STEP 2

**Components Needed**

- x2  **C1**
- x2  **C3**
-  **C2**


PANEL C2 quantity varies from the size of the doors you have, please go to page 2 for the checklist.




Before starting Step 2 installation, install the white foam dowels into panel A groove. Follow the diagram for the location of the foam dowels. The reason for this installation is to help equally stabilize the C1, C2, and C3 panels so it does not form a gap.

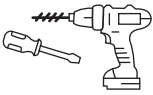
# STEP 3


**Components Needed**

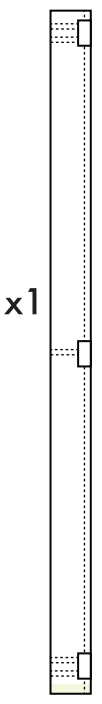
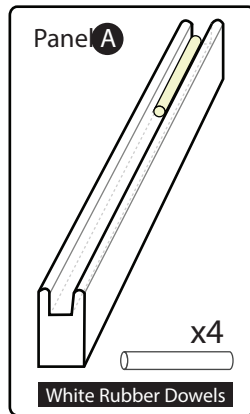
Wooden Dowel  
E  x5

Long Screw  
F  x5

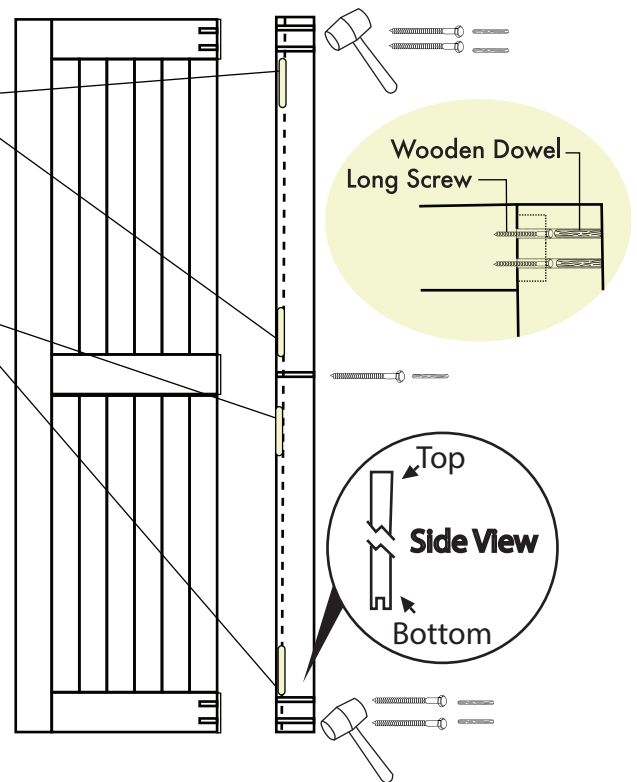
x1 **A**

Drill or Phillip Screw Driver 

Rubber Mallet 

Before starting Step 3 installation, install the white foam dowels into panel A groove. Follow the diagram for the location of the foam dowels. The reason for this installation is to help equally stabilize the C1, C2, and, C3 panels so it does not form a gap.



If you order the H design, your installation is complete!

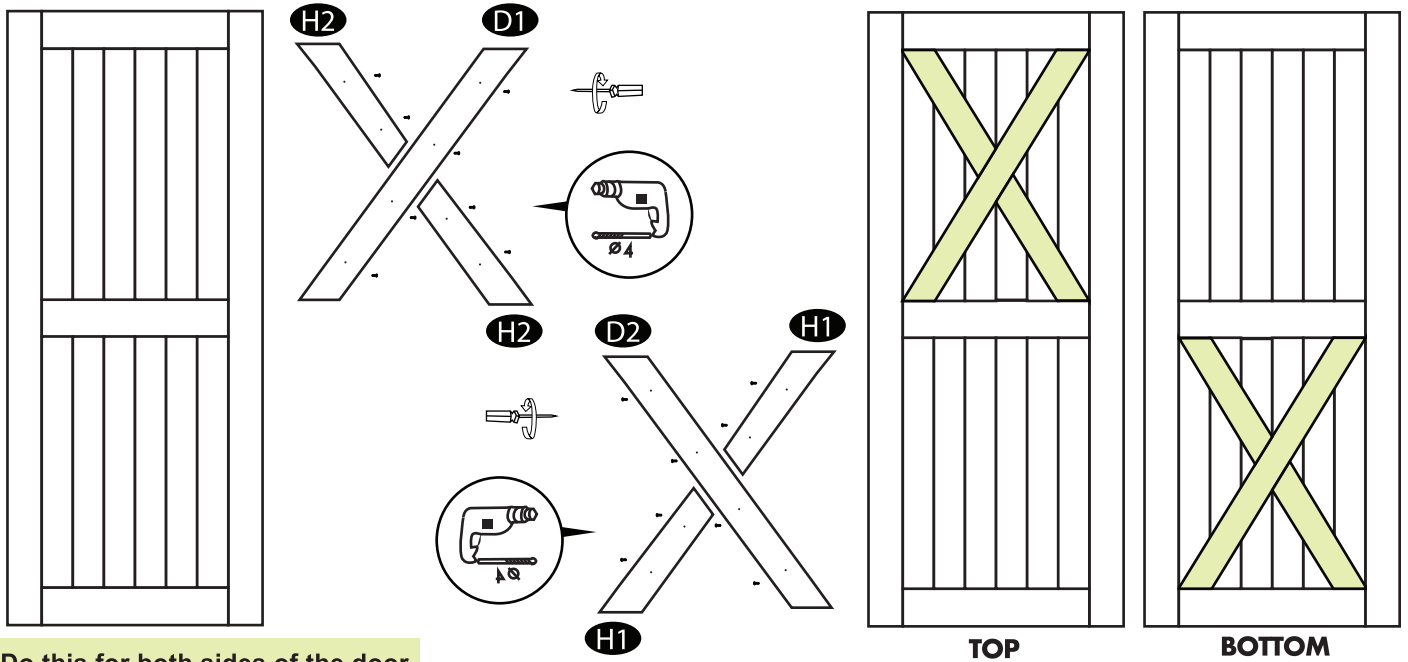
**NOTICE**

But if you order other designs besides H, please continue to page 5.

Before installing the decorative panels make sure to differentiate the top and the bottom of the door(s). That way you can place the panels, and position it in the desired design.

### Single X Door Design

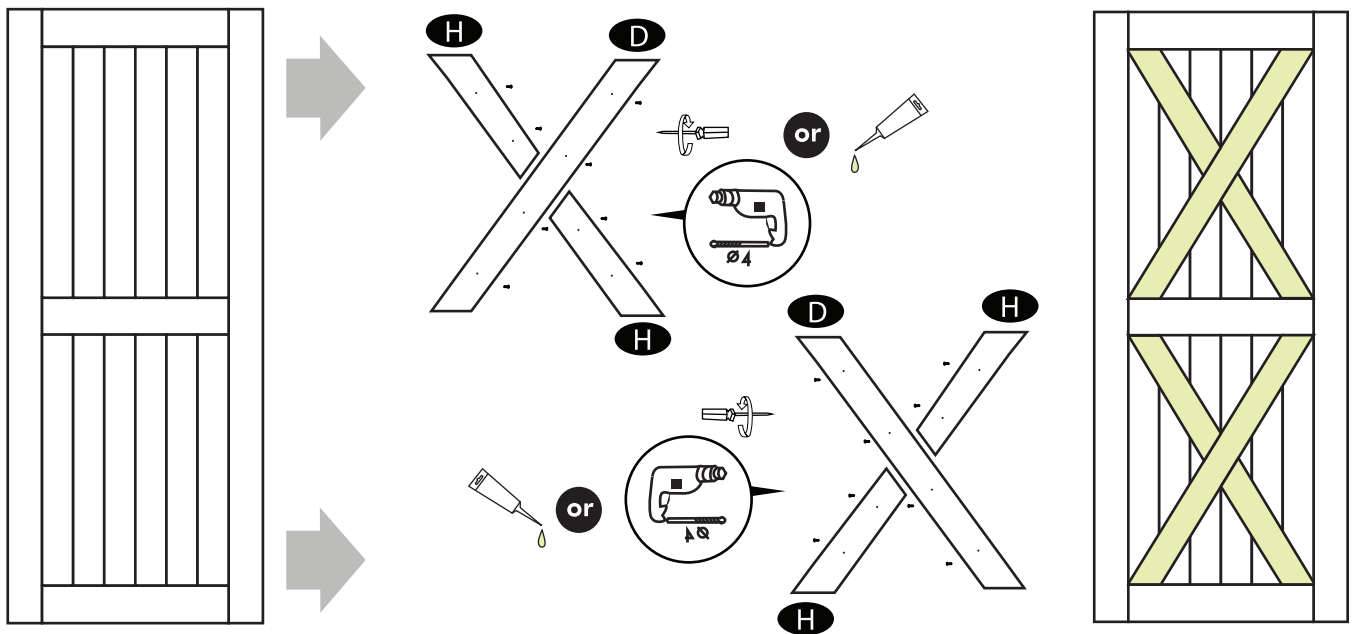
You may follow the diagram below by using the screws included or use your wood glue to get a flawless finish.



Do this for both sides of the door.

### Double X Door Design

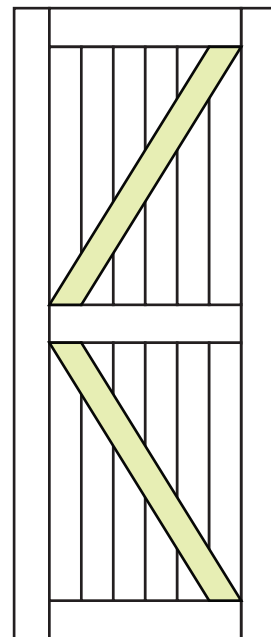
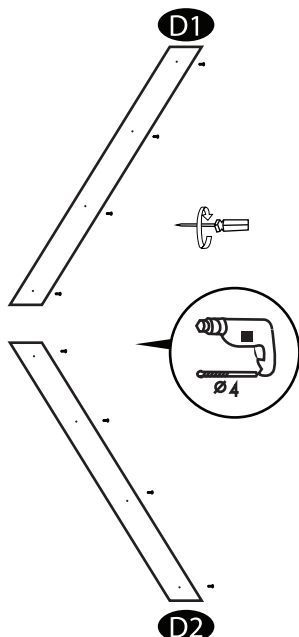
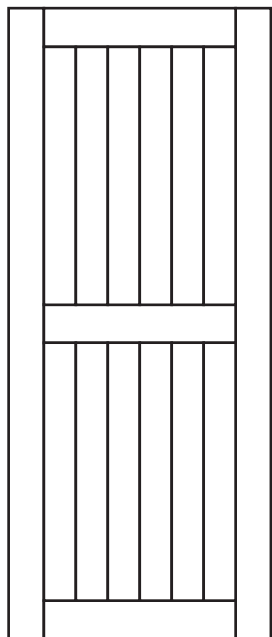
You may follow the diagram below by using the screws included or use your wood glue to get a flawless finish.



Do this for both sides of the door.

### Left Arrow Door Design

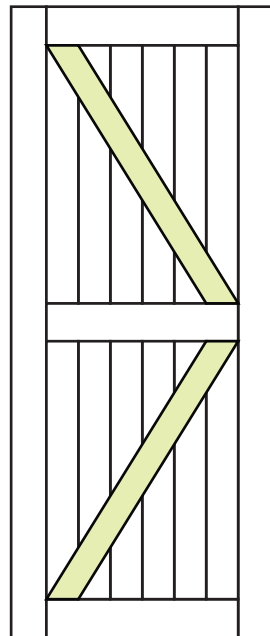
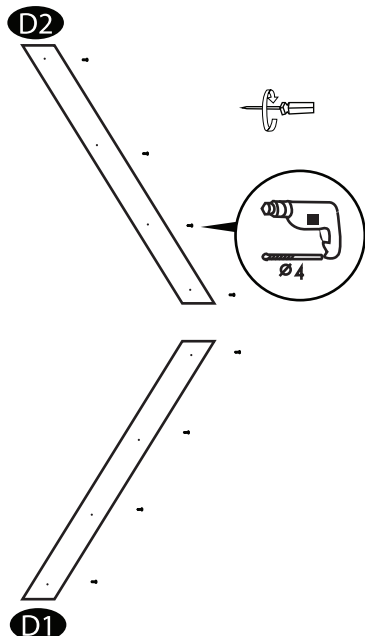
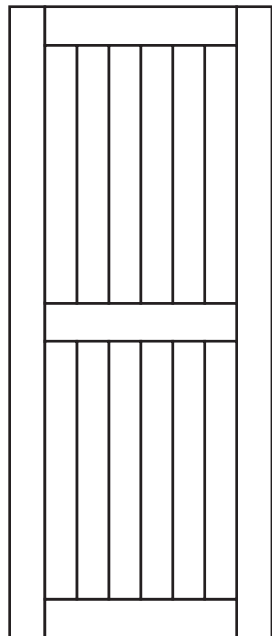
You may follow the diagram below by using the screws included or use your wood glue to get a flawless finish.



Do this for both sides of the door.

### Right Arrow Door Design

You may follow the diagram below by using the screws included or use your wood glue to get a flawless finish.



Do this for both sides of the door.

## YOUR INSTALLATION IS COMPLETE!



## **SLIDING HARDWARE / BARN DOORS**

High Quality • Exquisite Design • Outstanding Services

### **ABOUT US**

At Homacer, our goal is to provide the finest sliding barn door hardware products and services for our valued customers. We keep polishing our products to make their quality better, prices lower and installation easier. We make it possible for you to get everything you need from us when you think about installing sliding barn doors.

### **CONTACT US**

#### ***Bulk Membership Program***

To learn more about bulk / dropship order program you may contact us at

**Office #: 1(770)-559-5849**

**Website: [www.homacer.com/pages/membership-program](http://www.homacer.com/pages/membership-program)**

**Email us: [sales@homacer.com](mailto:sales@homacer.com)**

#### ***CUSTOMER SERVICE TECH SUPPORT***

**Office #: 1(770) 864-5437**

**Website: [www.homacer.com](http://www.homacer.com)**

**Email us: [info@homacer.com](mailto:info@homacer.com)**

### **LOCATION**

1885 Beaver Ridge Cir, Ste A  
Norcross, GA 30071

For additional hardware and accessories such as floor guide, soft close, and door handles, they can all be found on our website at [www.homacer.com](http://www.homacer.com) if you have any other inquiries you can always contact us through the phone or emails.