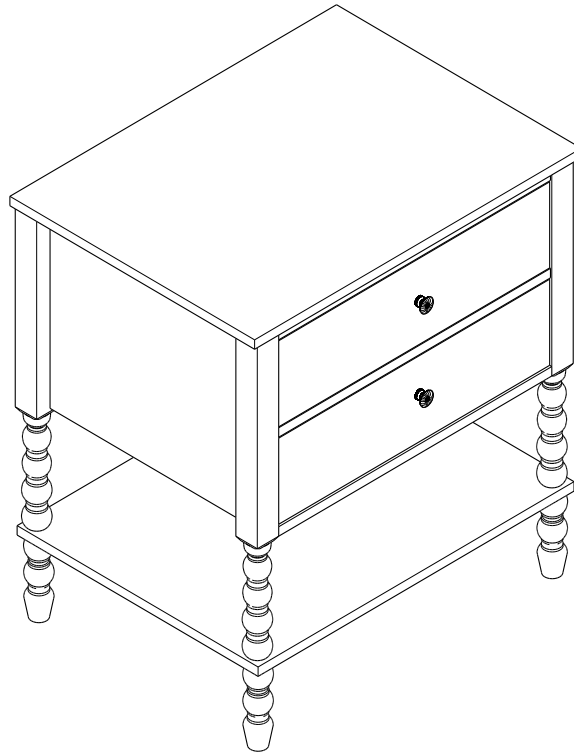


ASSEMBLY TIPS



! WARNING:

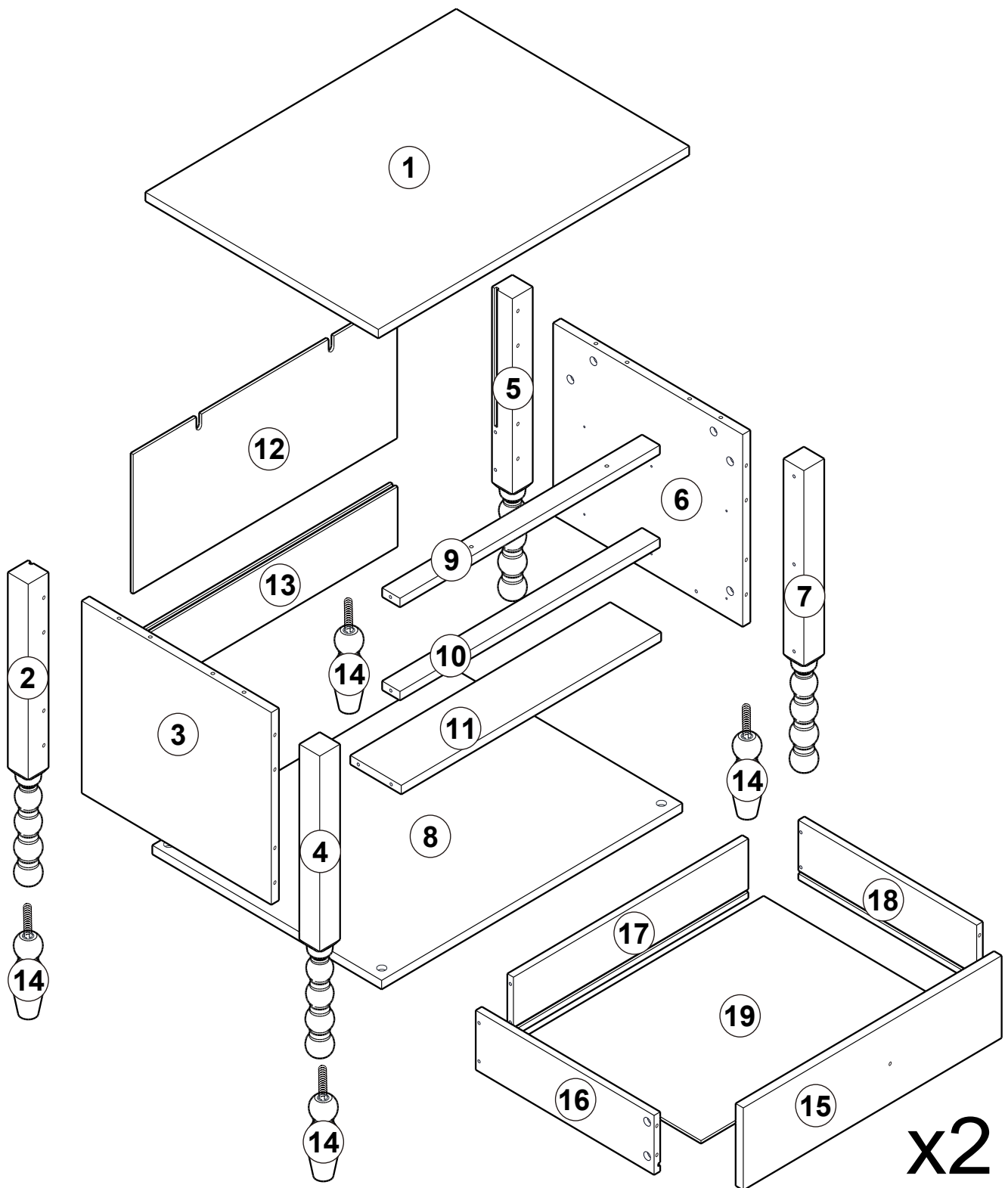
- Do not allow children to climb on unit
- Serious or fatal crushing injuries can occur from furniture tip-over. To prevent this furniture from tipping over, it must be permanently fixed to the wall. Fixing devices for the wall are not included since different wall materials require different types of fixing devices. Use fixing devices suitable for the walls in your home. For advice on suitable fixing systems, contact your local specialized dealer
- Avoid sharp objects or corrosive chemicals to prevent damage to the product
- During assembly, keep parts and packaging materials away from children and pets as there could be potential injury and choking hazards

Caution:

1. This product is designed for home use and not intended for commercial use.
2. This product contains small components. Please ensure that they are kept away from small children.
3. Be careful when using power tools to assemble your furniture. Power tools may strip or damage the parts.

IDENTIFY PARTS

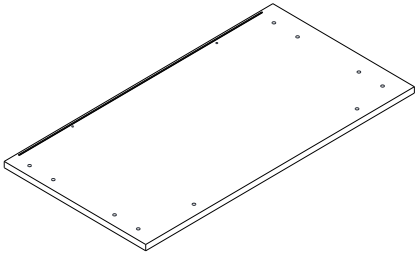
One unit per box



x2

COMPONENTS

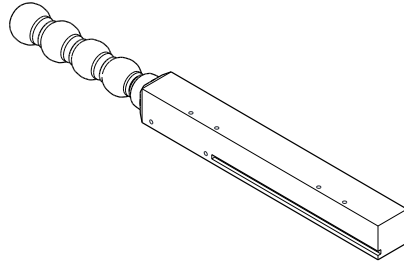
1



610x457x15mm

Top Panel x1

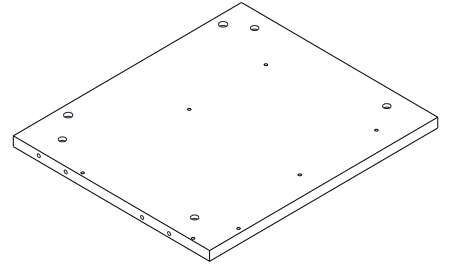
2



510x40x40mm

Leg Panel x1

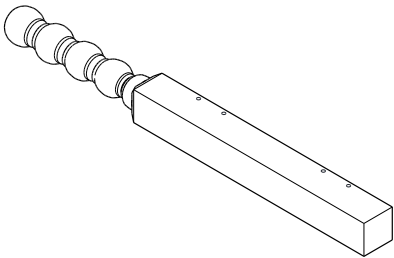
3



320x372x15mm

Left Side Panel x1

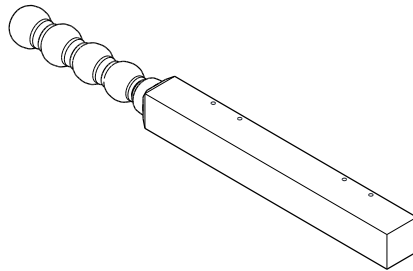
4



510x40x40mm

Leg Panel x1

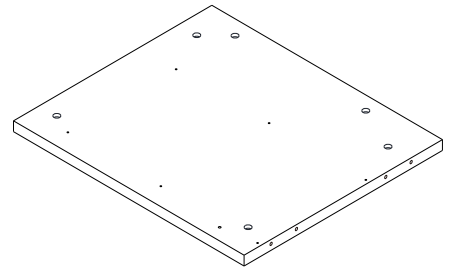
5



510x40x40mm

Leg Panel x1

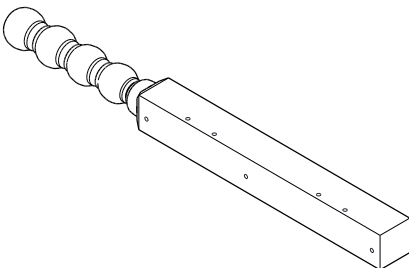
6



320x372x15mm

Right Side Panel x1

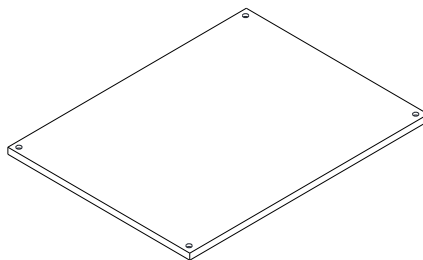
7



510x40x40mm

Leg Panel x1

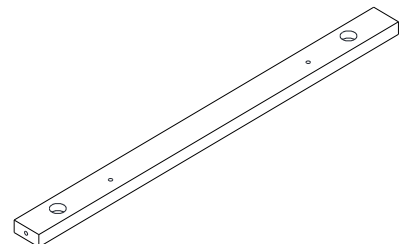
8



590x450x15mm

Bottom Panel x1

9

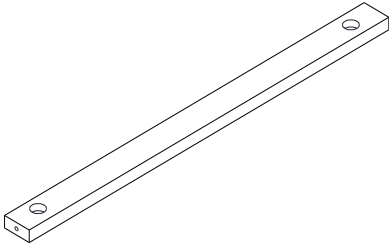


510x35x15mm

Connecting Panel x1

COMPONENTS

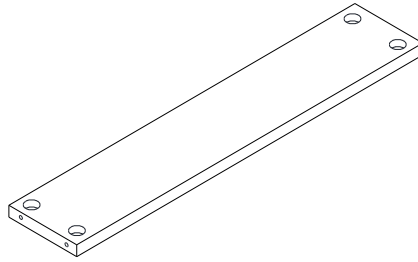
10



510x35x15mm

Connecting Panel x1

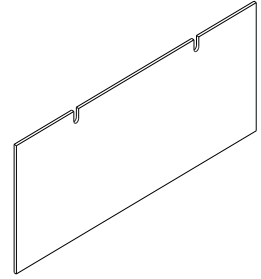
11



510x100x15mm

Wood Strip Under Drawer Front x1

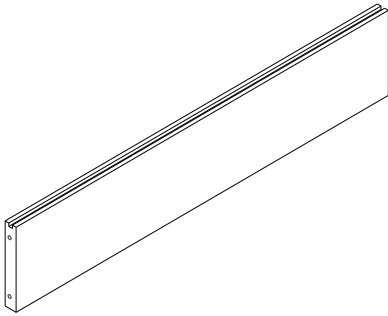
12



518x233x5mm

Back Panel x1

13



510x95x15mm

Wood Strip x1

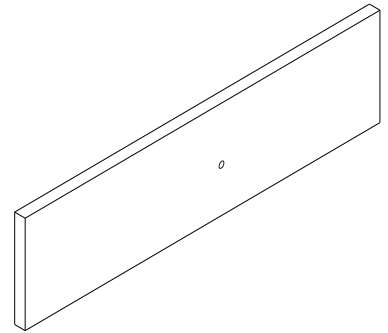
14



170x36x27mm

Leg x4

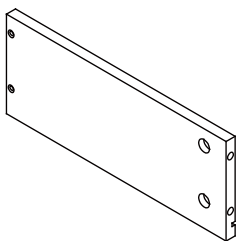
15



503x130x15mm

Drawer Front Panel x2

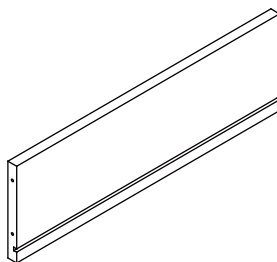
16



350x99x12mm

Drawer Left Side Panel x2

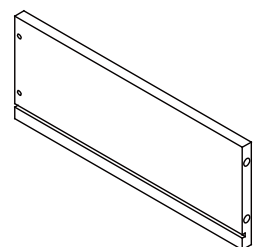
17



461x99x12mm

Drawer Back Panel x2

18

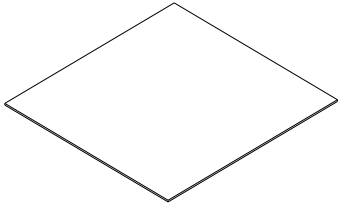


350x99x12mm

Drawer Right Side Panel x2

COMPONENTS

19



469x346x5mm

Drawer Bottom Panel x2

COMPONENTS

A



+1(spare)

M6x35mm

Cam Bolt x32

B

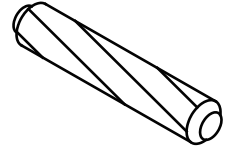


+1(spare)

M15x10mm

Cam Lock x32

C

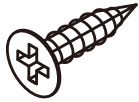


+1(spare)

M6x30mm

Wood Dowel x12

D

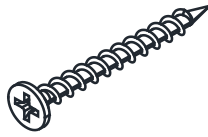


+1(spare)

M3x12mm

Screw x20

E

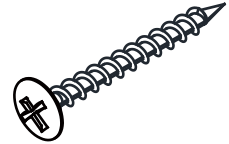


+1(spare)

M4x35mm

Screw x8

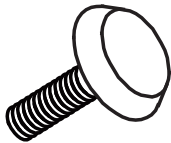
F



M4x25mm

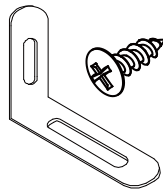
Screw x2

G



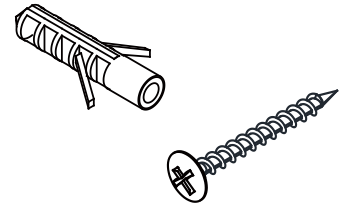
Adjustable Footpad x4

H



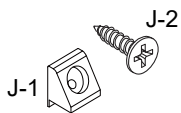
L-Shaped Bracket & Screw x2

I



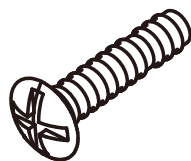
Plastic Anchor & Screw x2

J



Mending Wedge & Screw x4

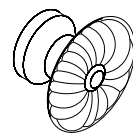
K



M4x22mm

Knob Screw x2

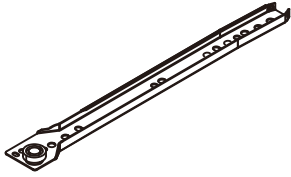
L



Knob x2

COMPONENTS

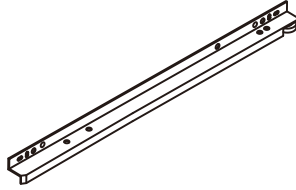
CL



M350

Cabinet left Slide x2

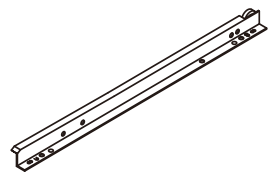
DR



M350

Drawer Right slide x2

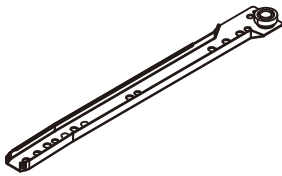
DL



M350

Drawer Left slide x2

CR



M350

Cabinet Right Slide x2

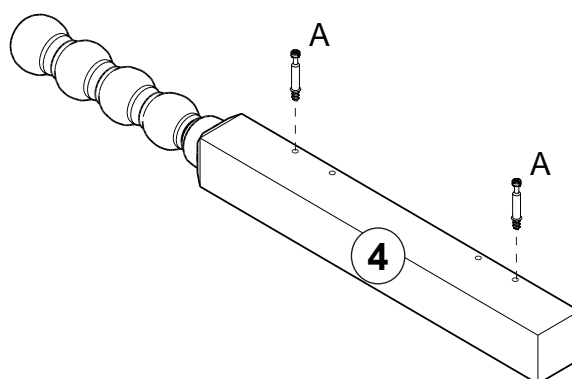
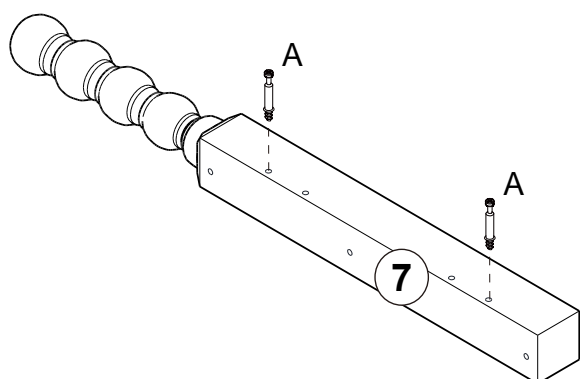
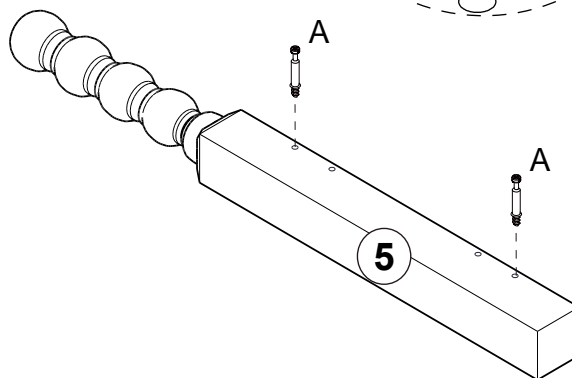
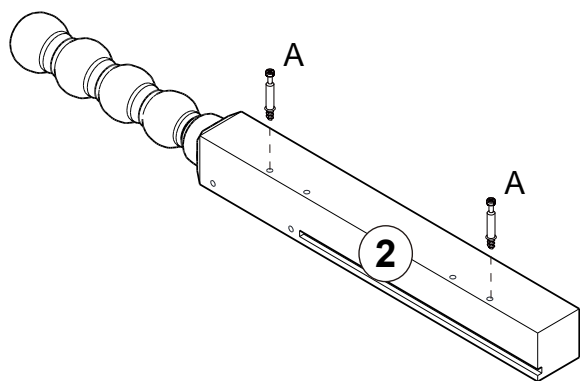
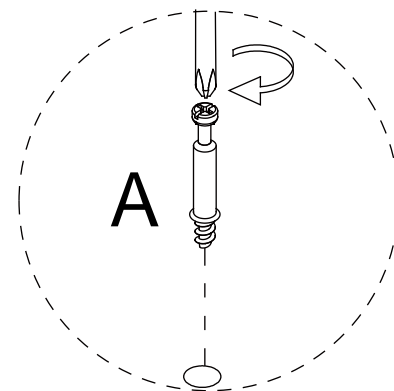
ASSEMBLY STEPS

A x 8



STEP 1

Screw the Cam Bolt (A) into the Panel (2,4,5,7).



ASSEMBLY STEPS

B x 4

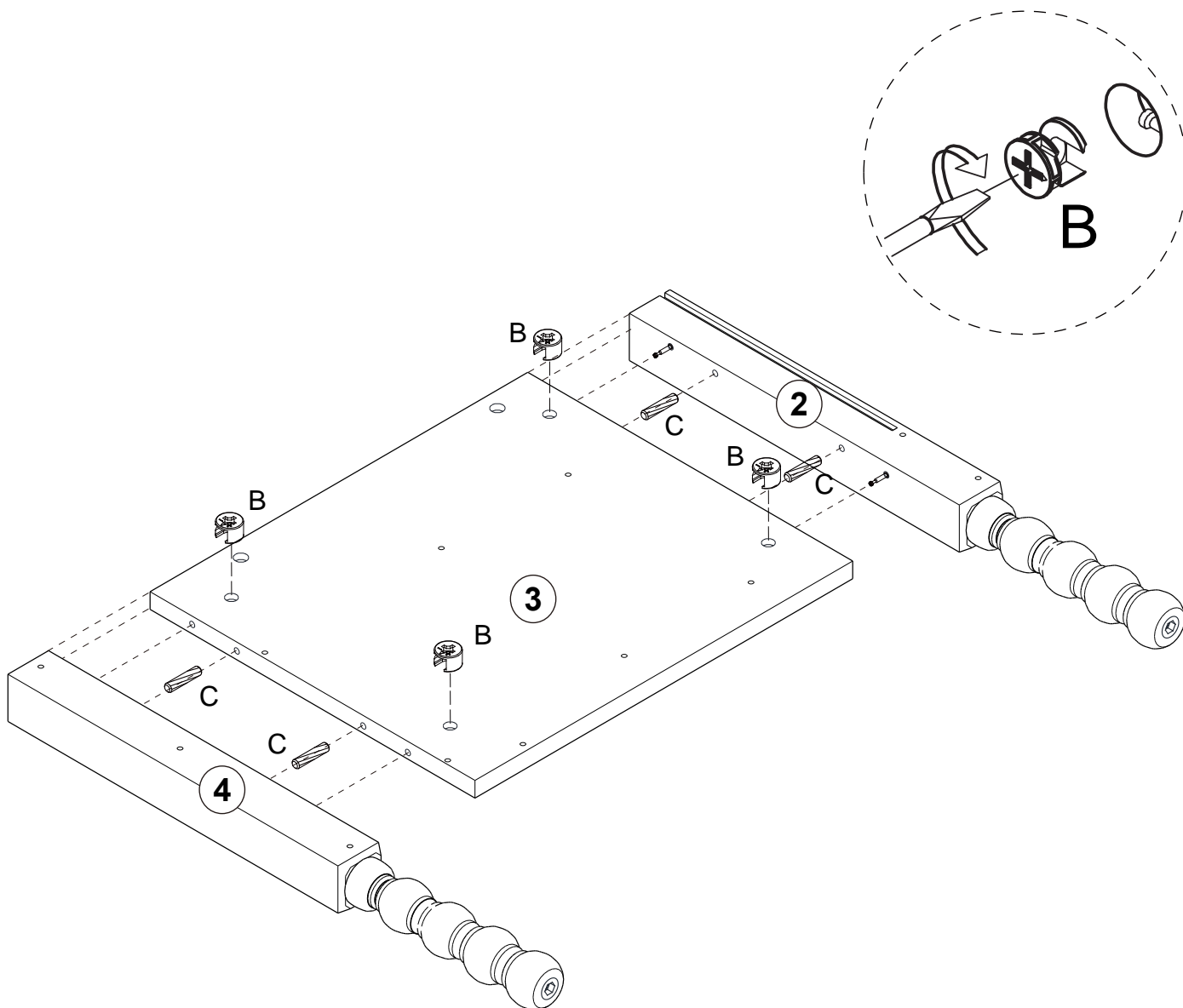


C x 4



STEP 2

Use Wood Dowel (C) to secure Panel (4) and (2) to Panel (3) and then tighten, with Cam Lock (B).

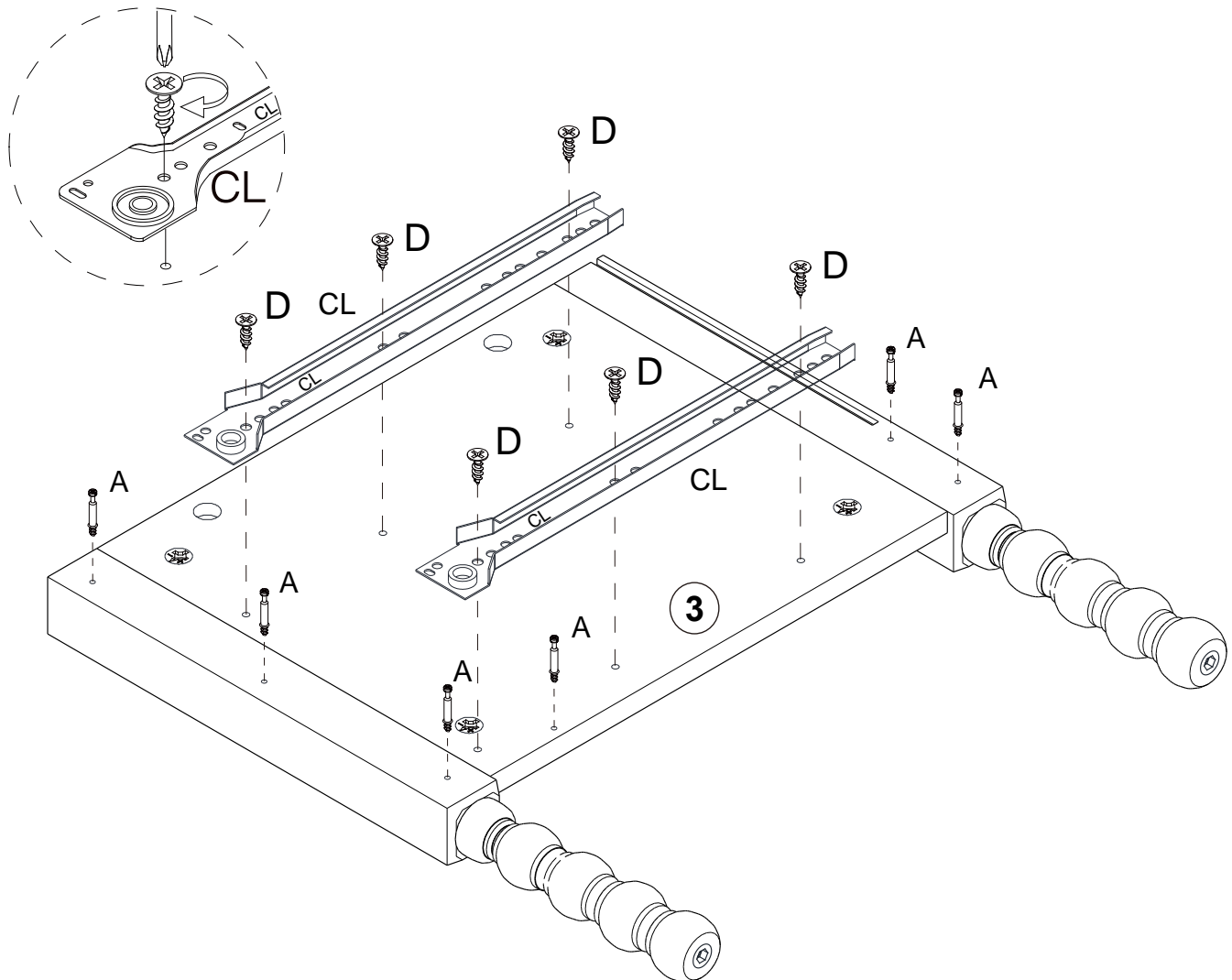


ASSEMBLY STEPS

A x 6		D x 6	 M3x12	CL x 2	
-------	---	-------	---	--------	--

STEP 3

1. Screw the Cam Bolt (A) into the assembled Panel (3).
2. Align the holes on the drawer Slide (CL) with the holes on the assembled Panel (3), and then fix the drawer slide on Panel (3) with Screw (D).



ASSEMBLY STEPS

B x 4

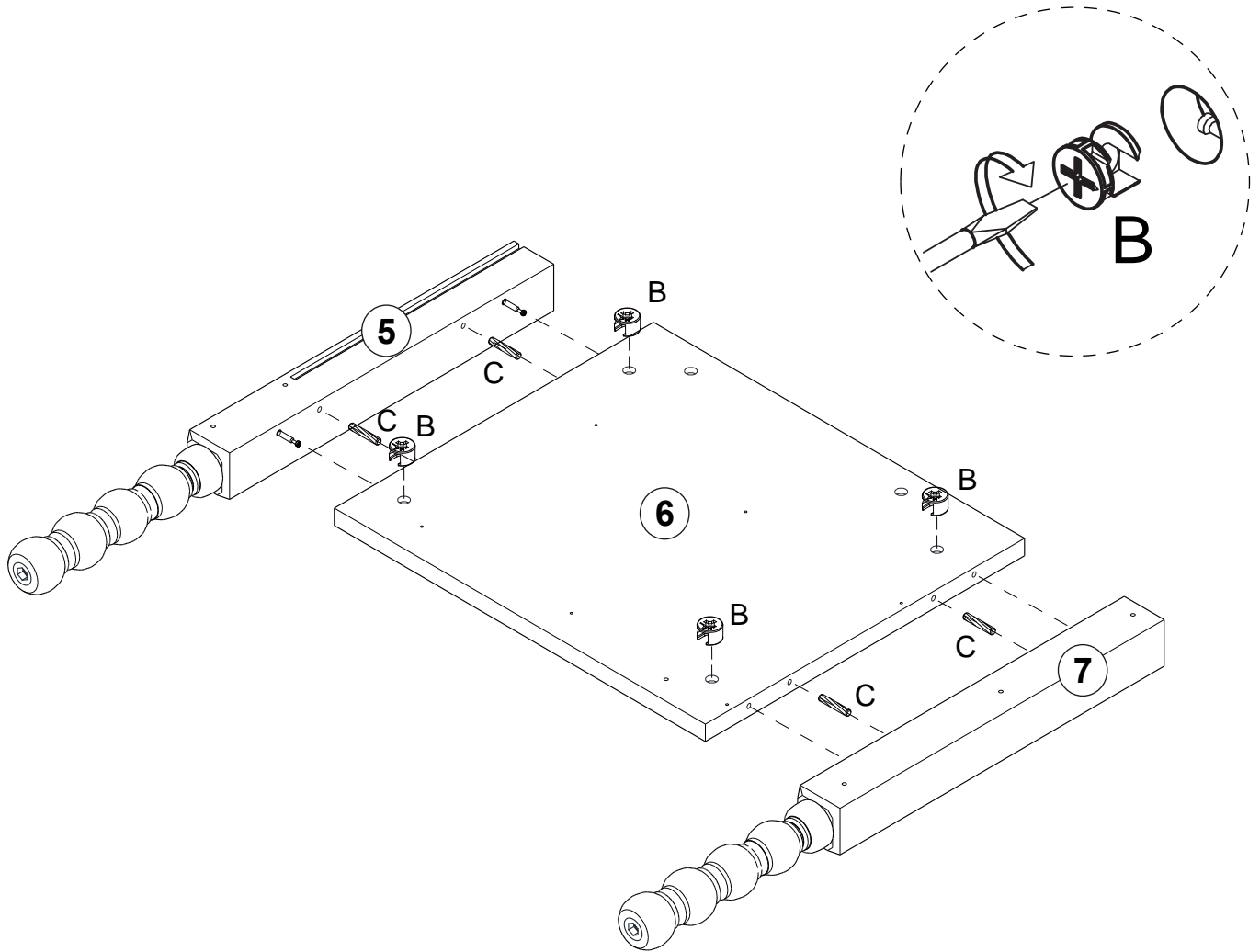


C x 4



STEP 4

Use Wood Dowel (C) to secure Panel (5) and (7) to Panel (6), and then tighten with Cam Lock (B).

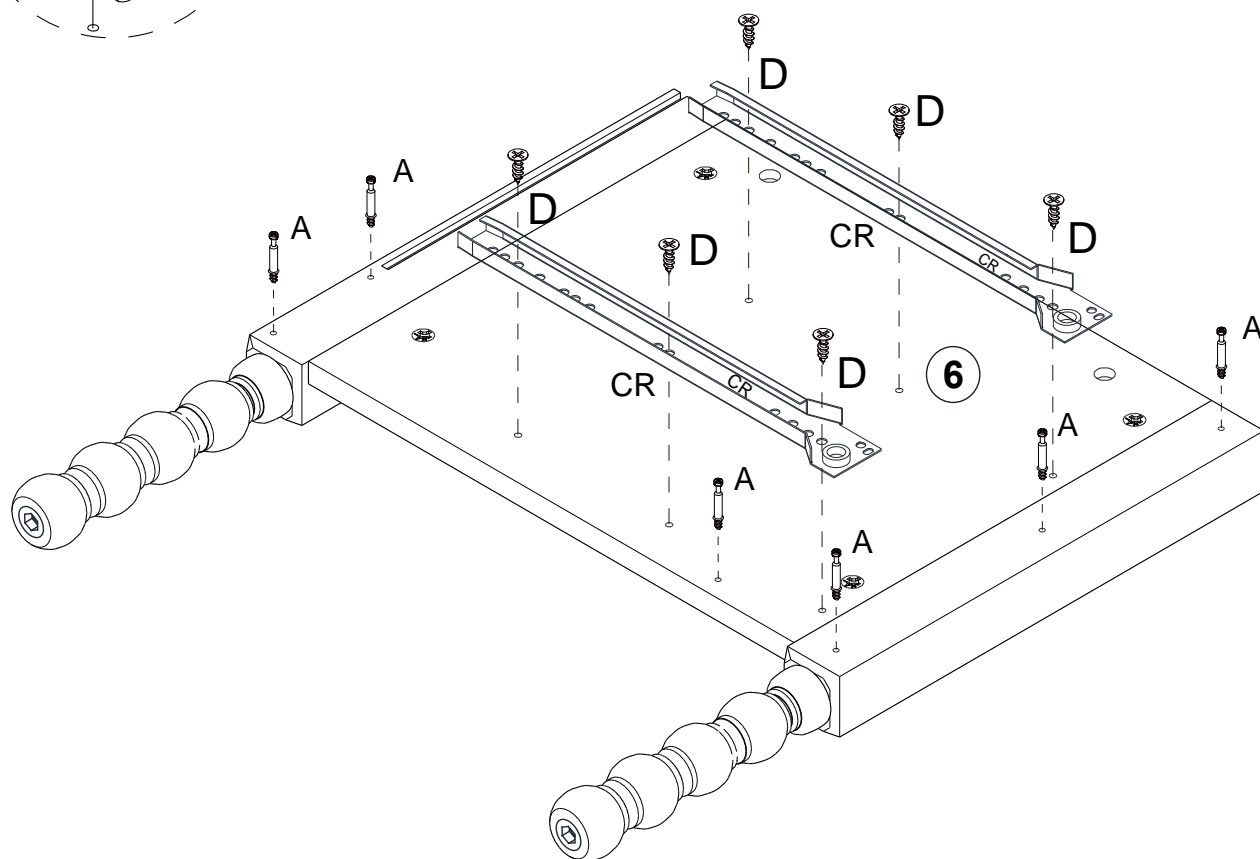
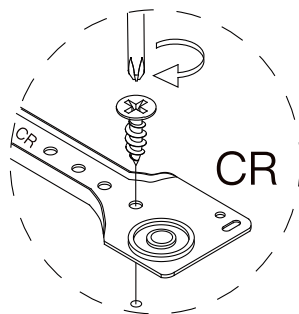


ASSEMBLY STEPS

A x 6		D x 6		M3x12	CR x 2	
-------	---	-------	---	-------	--------	--

STEP 5

1. Screw the Cam Bolt (A) into the assembled Panel (6) .
2. Align the holes on the drawer Slide (CR) with the holes on the assembled Panel (6), and then fix the drawer slide on Panel (6) with Screw (D).



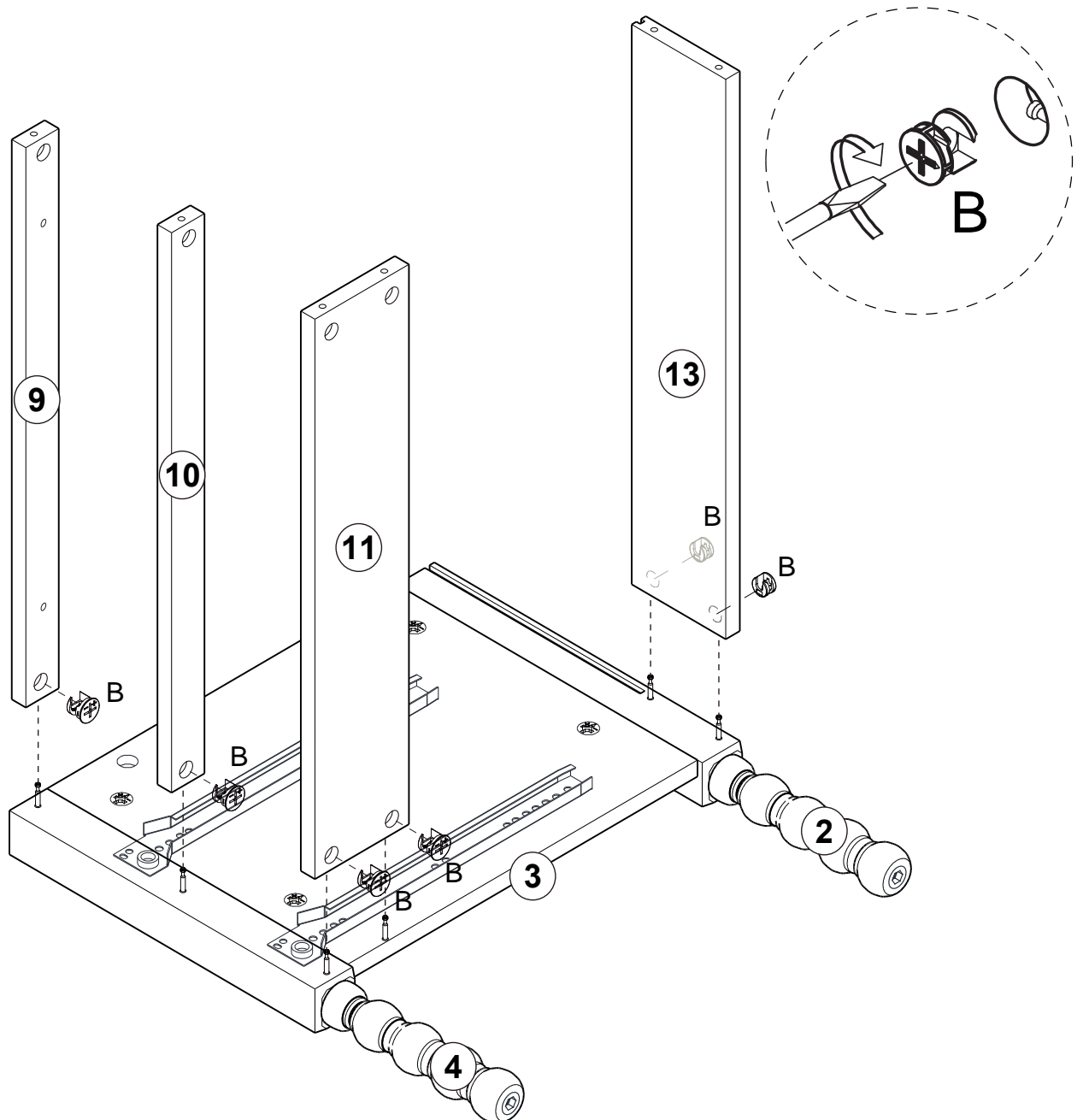
ASSEMBLY STEPS

B x 6



STEP 6

Connect the Panels (2,3,4,9,10,11,13) with Cam Lock (B).



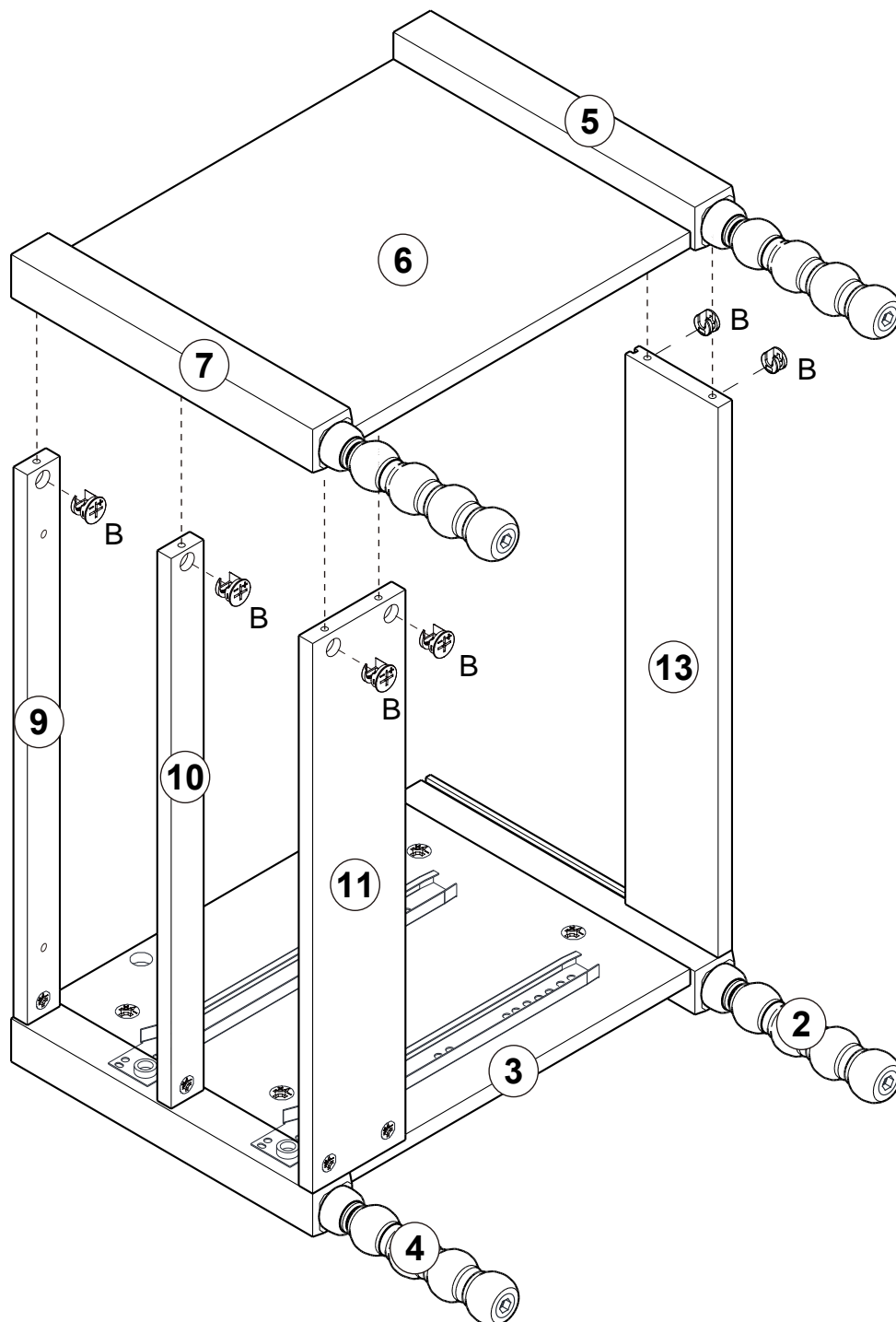
ASSEMBLY STEPS

B x 6



STEP 7

Connect the Panels (5,6,7,9,10,11,13) with Cam Lock (B).



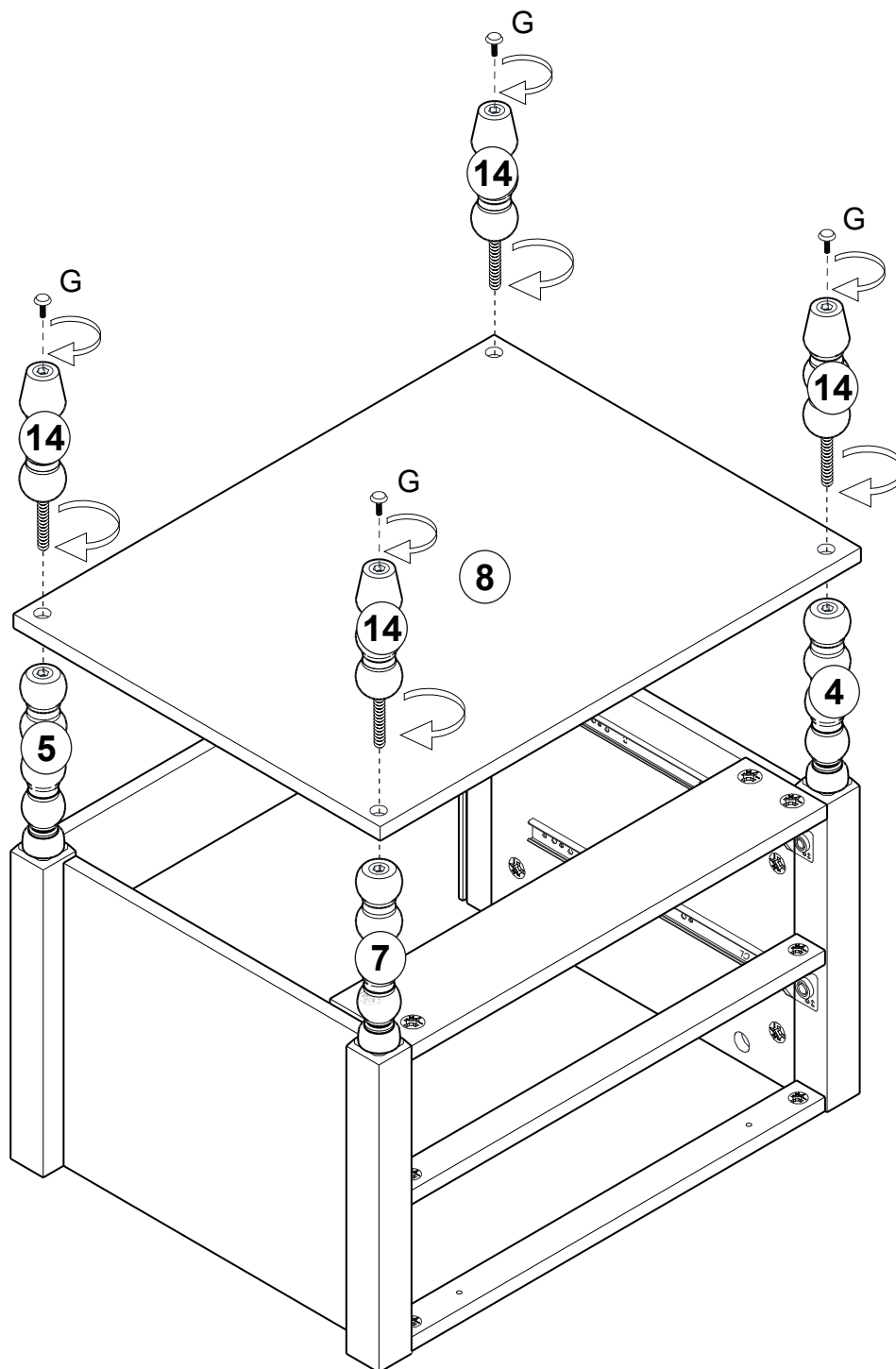
ASSEMBLY STEPS

G x 4



STEP 8

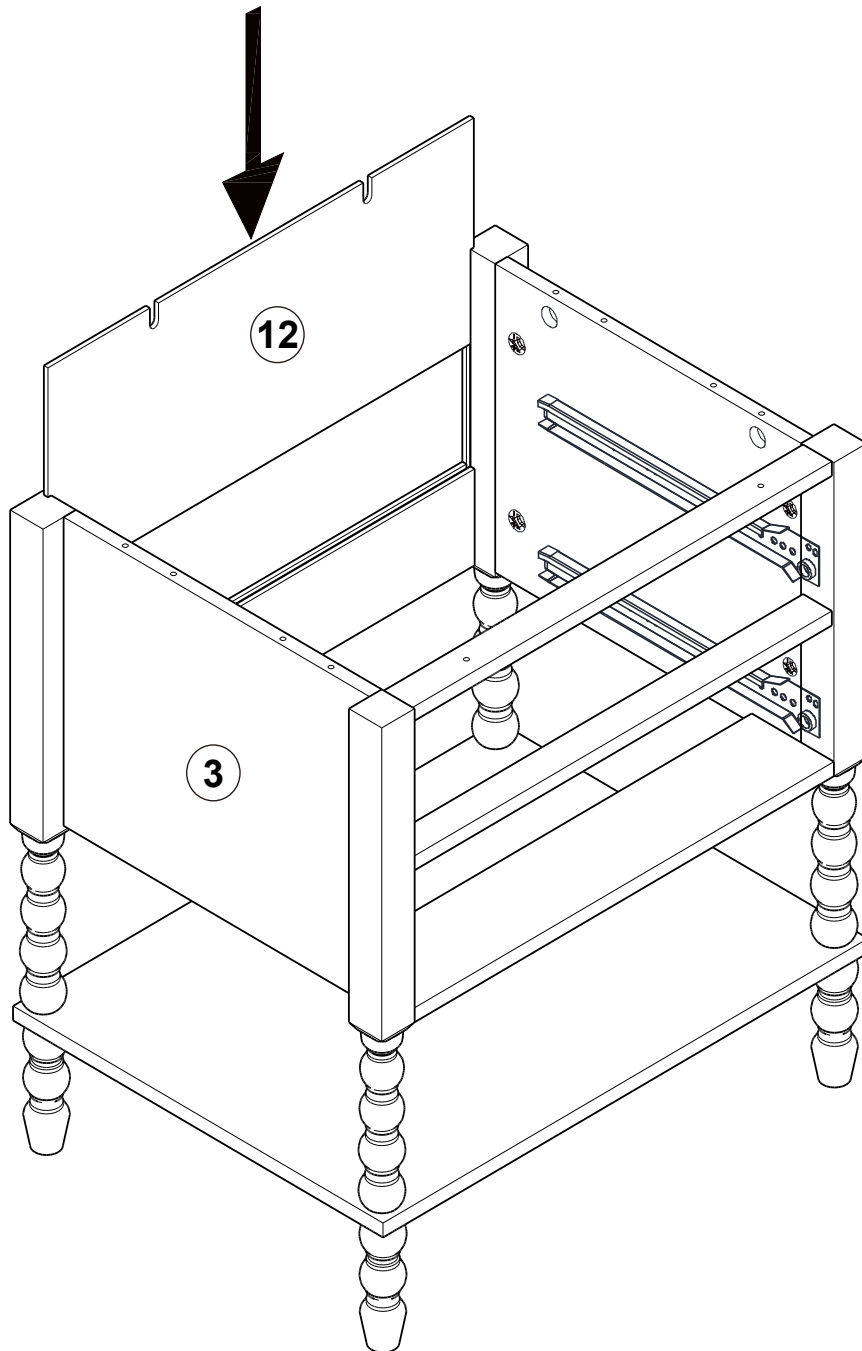
1. Attach the bottom Panel(8) and insert the legs (14).
2. Install the adjustable Footpad(G) onto the bottom of the legs(14).



ASSEMBLY STEPS

STEP 9

Insert the Panel (12) along the groove.



ASSEMBLY STEPS

A x 4

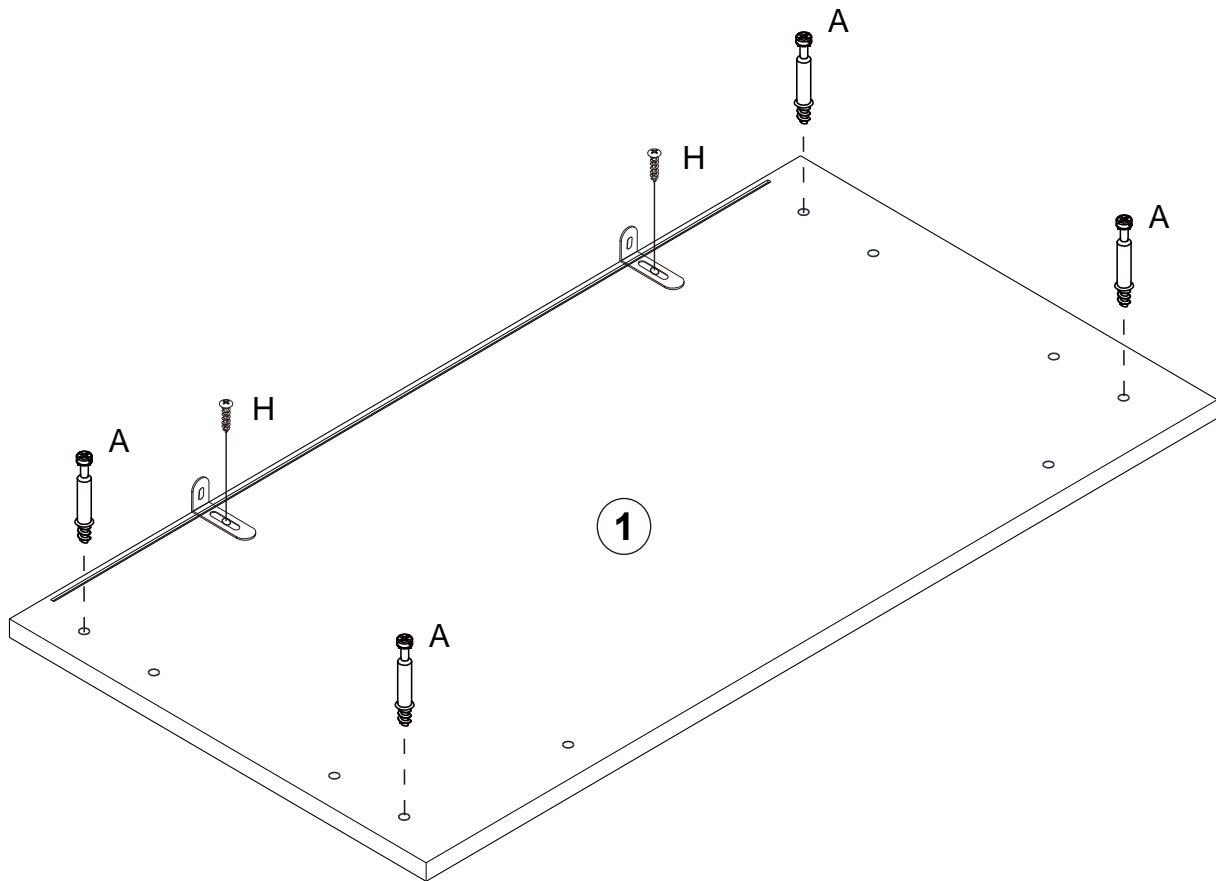


H x 2



STEP 10

1. Screw the Cam Bolt (A) into the Panel (1).
2. Fix the L-shaped Bracket (H) on the Panel (1) with Screw (H).



ASSEMBLY STEPS

B x 4



C x 4

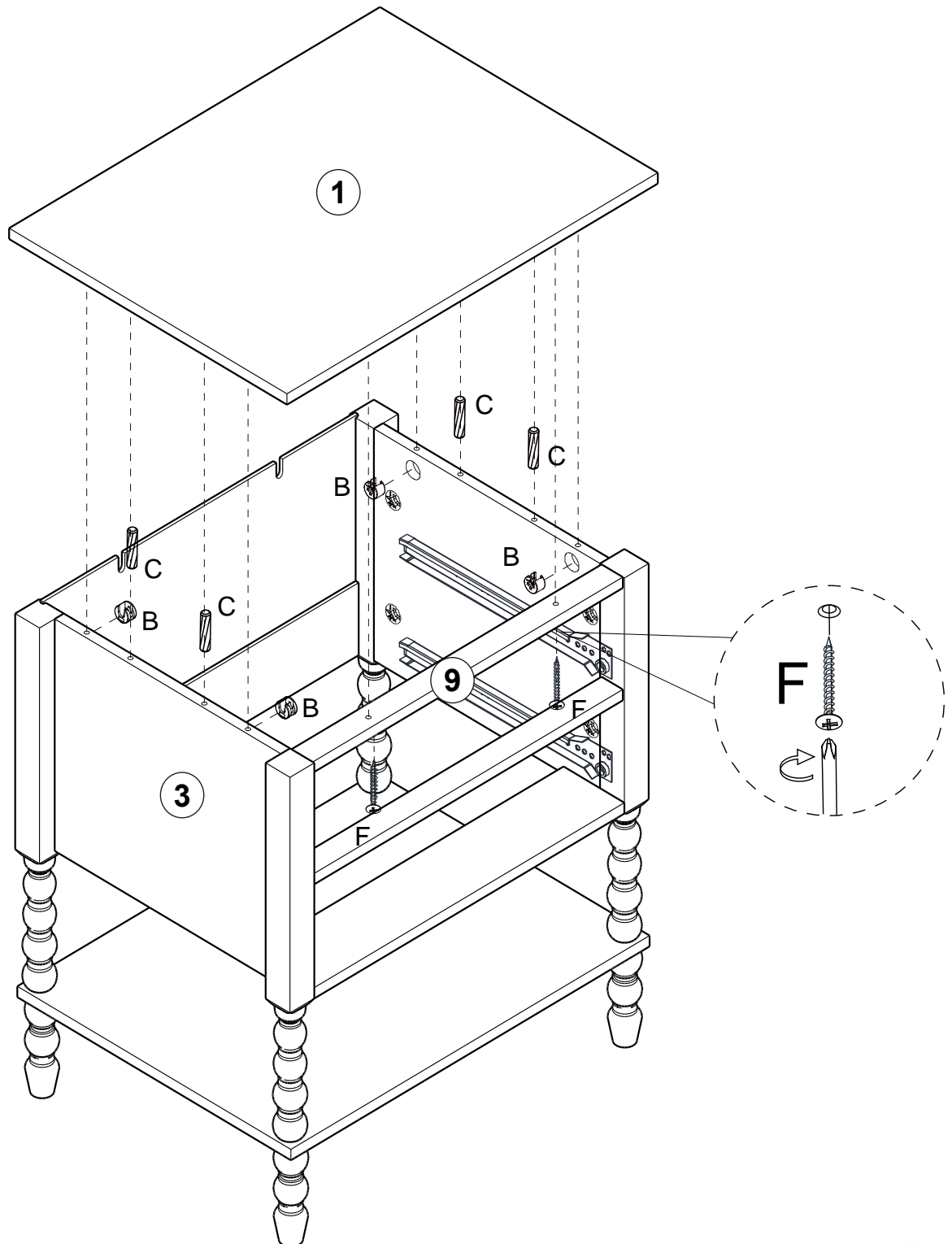


F x 2



STEP 11

1. Install the Panel (1) with Wood Dowel (C) and Cam Lock (B).
2. Connect the Panels (1,9) with Screw (F).



ASSEMBLY STEPS

J x 4

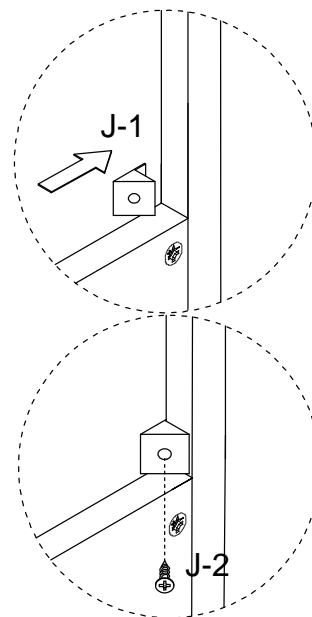
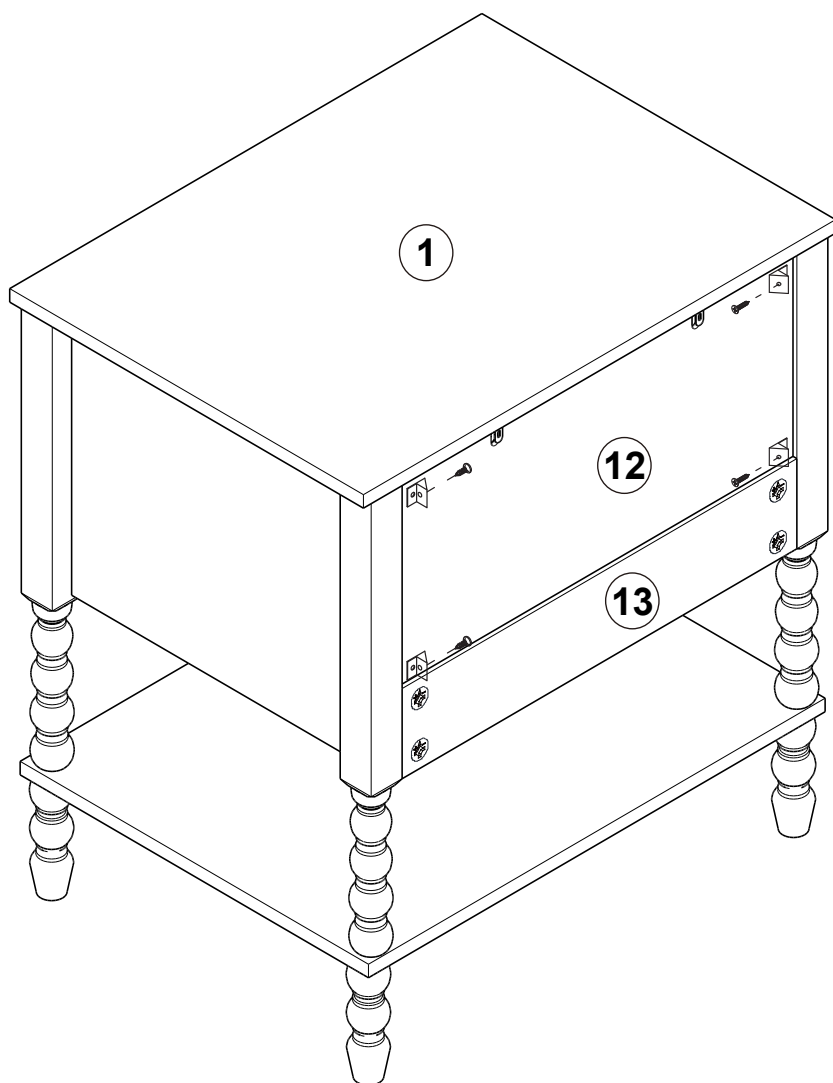
J-1



J-2

STEP 12

Insert the Mending Wedge (J-1) into the gap in the back panel and fix it with Screw (J-2).



ASSEMBLY STEPS

1 x 2

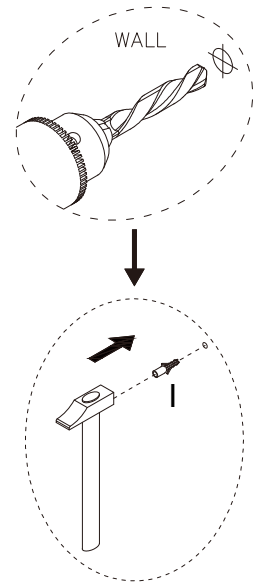
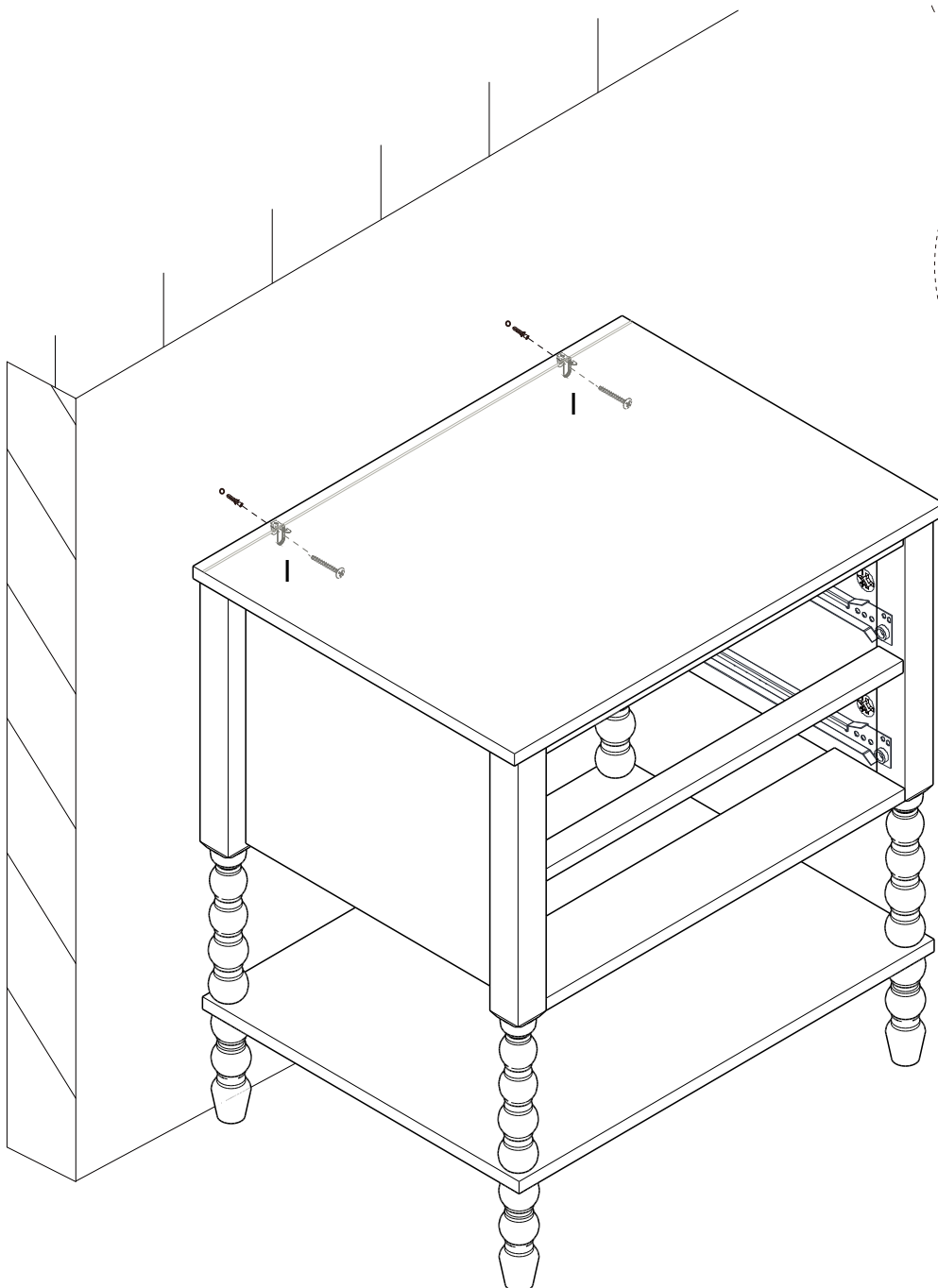


M4x40



STEP 13

1. Drill two holes in the wall and insert the Plastic Anchor (I) into the holes.
2. Use the Screw (I) to pass through the L-shaped bracket and lock the cabinet onto the wall.



ASSEMBLY STEPS

A x 8



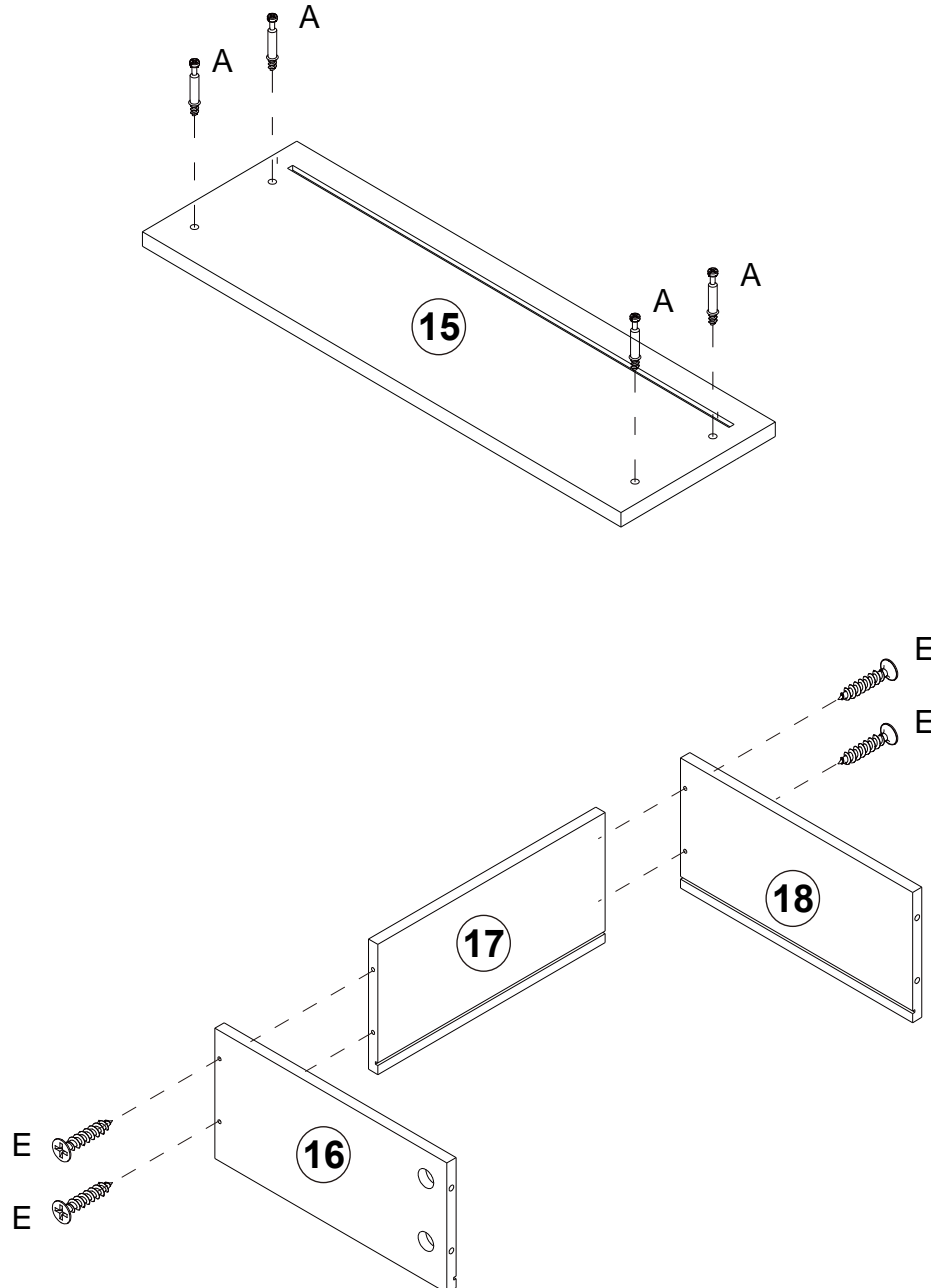
E x 8



M4x35

STEP 14

1. Screw the Cam Bolt (A) into the Panel (15).
2. Connect the Panels (16,17,18) with Screw (E).



x2

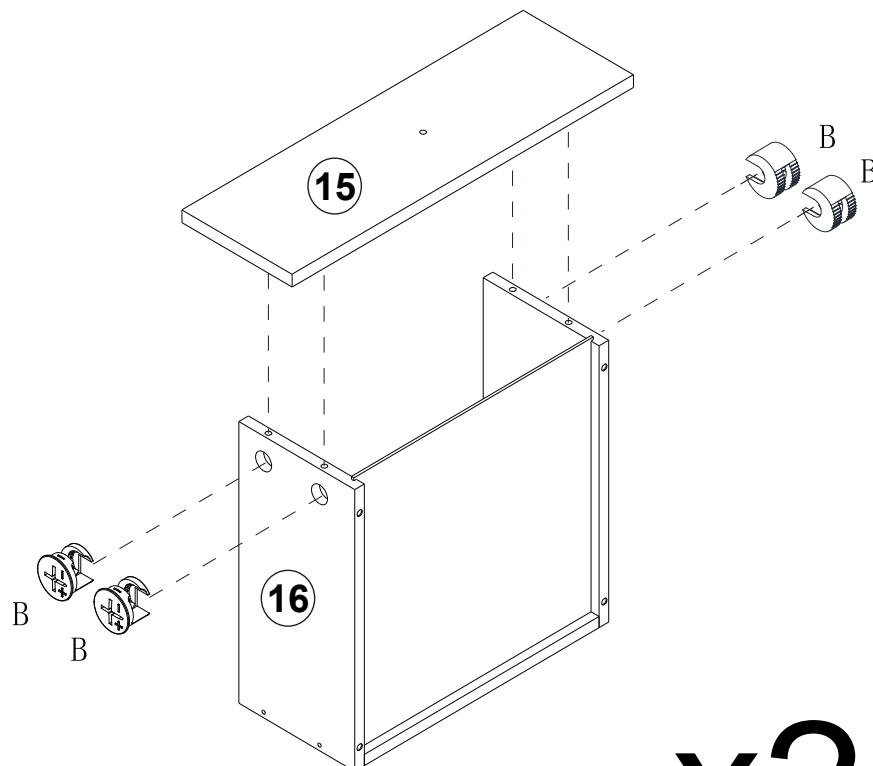
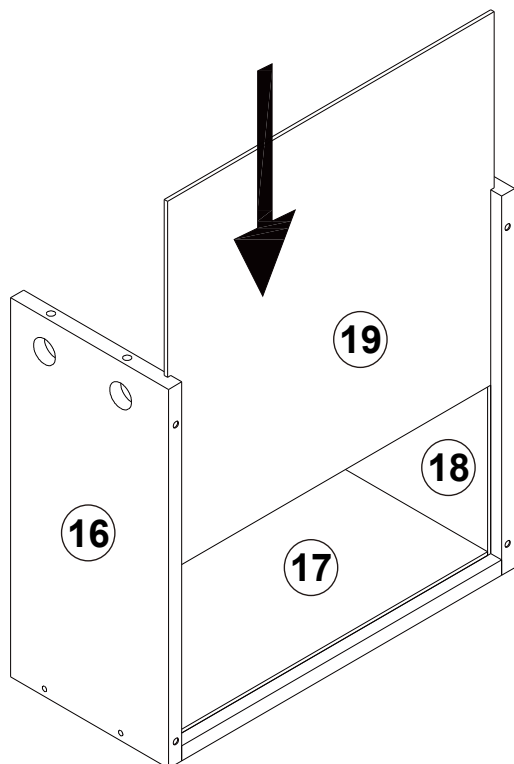
ASSEMBLY STEPS

B x 8



STEP 15

1. Insert the Panel (19) along the groove.
2. Install the Panel (15) with Cam Lock (B).



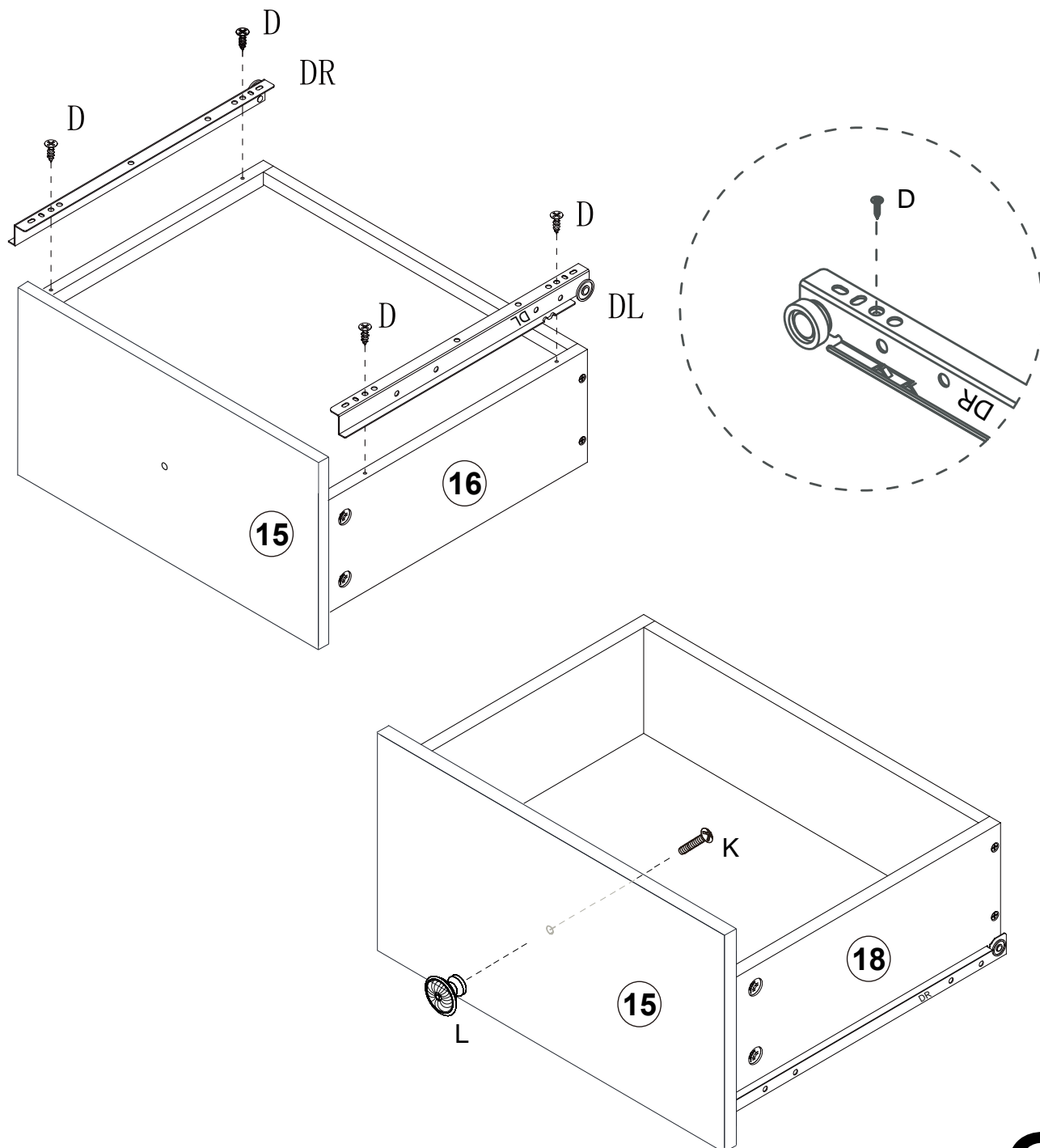
x2

ASSEMBLY STEPS

DL x 2		DR x 2		D x 8		L x 2		K x 2	
--------	---	--------	---	-------	---	-------	---	-------	---

STEP 16

1. Align Slide Rail (DR) with Panel (18) and Rail (DL) with Panel (16), then secure with Screw (D).
2. Attach the Handle (L) to the Panel (15) with handle Screw (K).

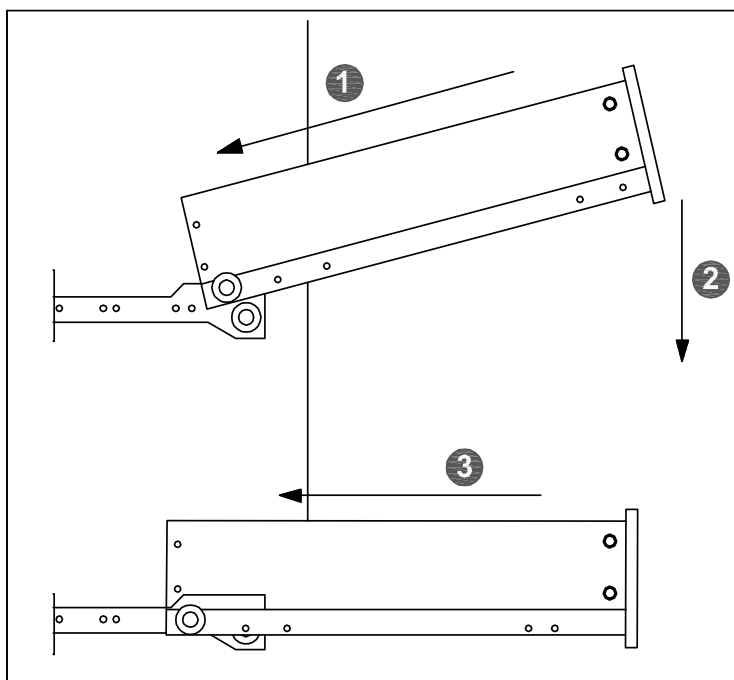
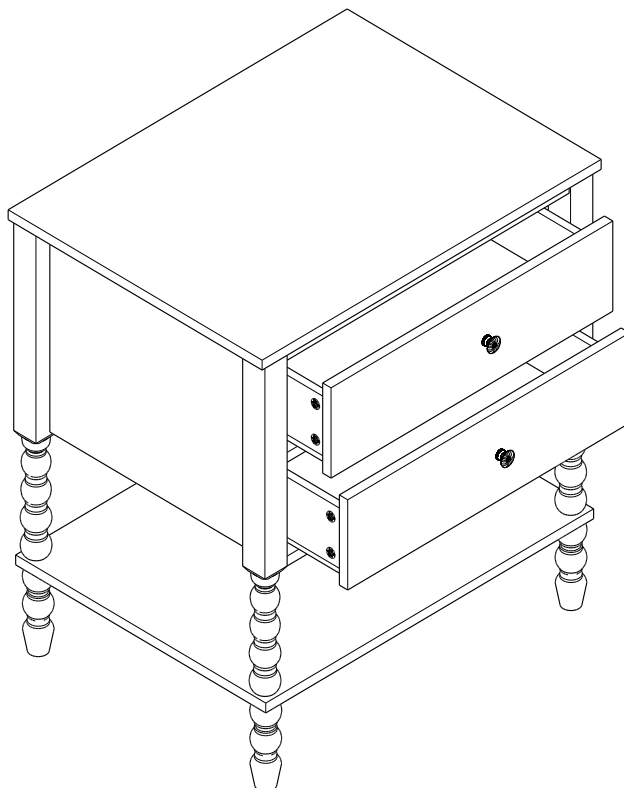


x2

ASSEMBLY STEPS

STEP 17

Align the slides on the drawer and cabinet, then push the drawer into the cabinet.



Supplementary Instructions for Safe Use

English

WARNING



Children have died from furniture tipover. To reduce the risk of furniture tipover:

- ALWAYS install tipover restraint provided.
- NEVER put a TV on this product.
- NEVER allow children to stand, climb or hang on drawers, doors, or shelves.
- NEVER open more than one drawer at a time.
- Place heaviest items in the lowest drawers.
- Do not defeat or remove the drawer interlock system.

This is a permanent label.

Do not remove!

French

ATTENTION



Des enfants sont morts du basculement des meubles. Pour réduire le risque de basculement des meubles:

- TOUJOURS installer la retenue de basculement fournie.
- NE JAMAIS mettre de téléviseur sur ce produit.
- NE JAMAIS permettre aux enfants de se tenir debout, de grimper, ou de s'accrocher à des tiroirs, des portes ou des étagères.
- N'ouvrez JAMAIS plus d'un tiroir à la fois.
- Placez les objets les plus lourds dans les tiroirs les plus bas.
- Ne désactivez pas et ne retirez pas le système de verrouillage du tiroir.

Ceci est une étiquette permanente.

Ne pas enlever!

German

WARNUNG



Kinder sind an einem Möbelkippen gestorben. So verringern Sie das Risiko eines Umkippens von Möbeln:

- Installieren Sie **IMMER** die mitgelieferte Kipprückhaltevorrichtung.
- Stellen Sie **NIEMALS** einen Fernseher an dieses Produkt.
- Lassen Sie Kinder **NIEMALS** an Schubladen, Türen oder Regalen stehen klettern oder hängen.
- Öffnen Sie **NIEMALS** mehr als eine Schublade gleichzeitig.
- Legen Sie schwerste Gegenstände in die untersten Schubladen.
- Besiegen oder entfernen Sie das Schubladenverriegelungssystem nicht.

Dies ist ein dauerhaftes Etikett.

Nicht entfernen!