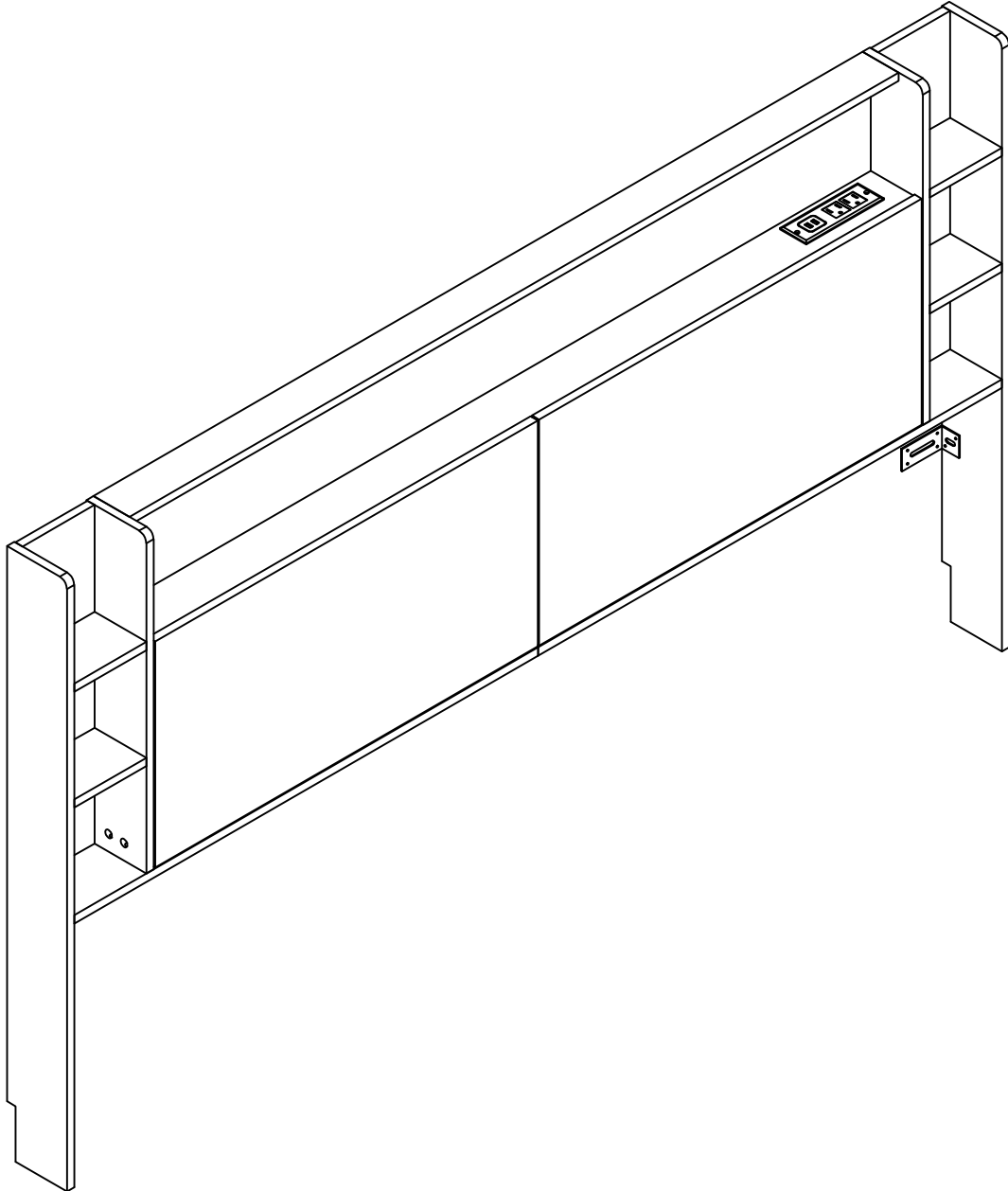


Installation Guide

WA059



Important Safety Instructions

Please read and understand all instructions before assembling, using, or maintaining this product. Failure to follow these instructions may result in serious injury, property damage, or fire.

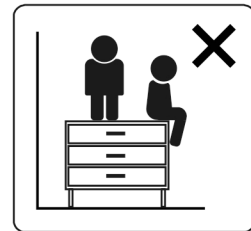
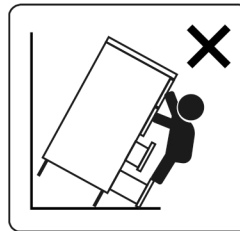
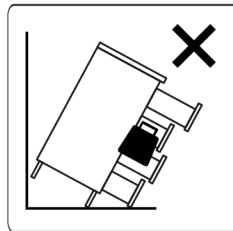
General Safety Warnings

- **Adult Assembly Required:** This product must be assembled by an adult. Keep children away from the assembly area to prevent accidents.
- **Keep Small Parts Away from Children:** Small parts, such as screws and bolts, can pose a choking hazard. Store them out of children's reach during assembly.
- **Inspect for Damage:** Before assembly, inspect all parts for damage, such as cracks or deformities. Do not use any damaged parts.
- **Use Only Provided Hardware:** Use only the hardware included with this product. Using non-original parts may cause instability or damage.
- **Secure Attachment to Bed Frame:** Follow the assembly instructions carefully to ensure the headboard is securely attached to the bed frame. An improperly attached headboard could tip over, causing injury.
- **No Climbing or Hanging:** Do not climb, stand, or hang objects (e.g., lamps or decorations) from the headboard. It is not designed to support such activities.
- **No Sitting or Standing:** The headboard is not designed to support human weight. Sitting or standing on it may cause damage or tipping.
- **Clear Surrounding Area:** Keep the area around the headboard clear to prevent trips and falls.
- **Periodic Inspection:** Periodically inspect all fasteners and tighten them as needed to maintain stability.
- **Check for Sharp Edges or Splinters:** After assembly, inspect the surface for sharp edges or splinters. Sand down any rough areas as needed to prevent injury.
- **Retain Warning Labels:** Do not remove any warning labels, as they contain important safety information.
- **Supervise Children:** Always supervise children near the headboard to prevent misuse, such as climbing, which could cause injury.

Electrical Safety Warnings

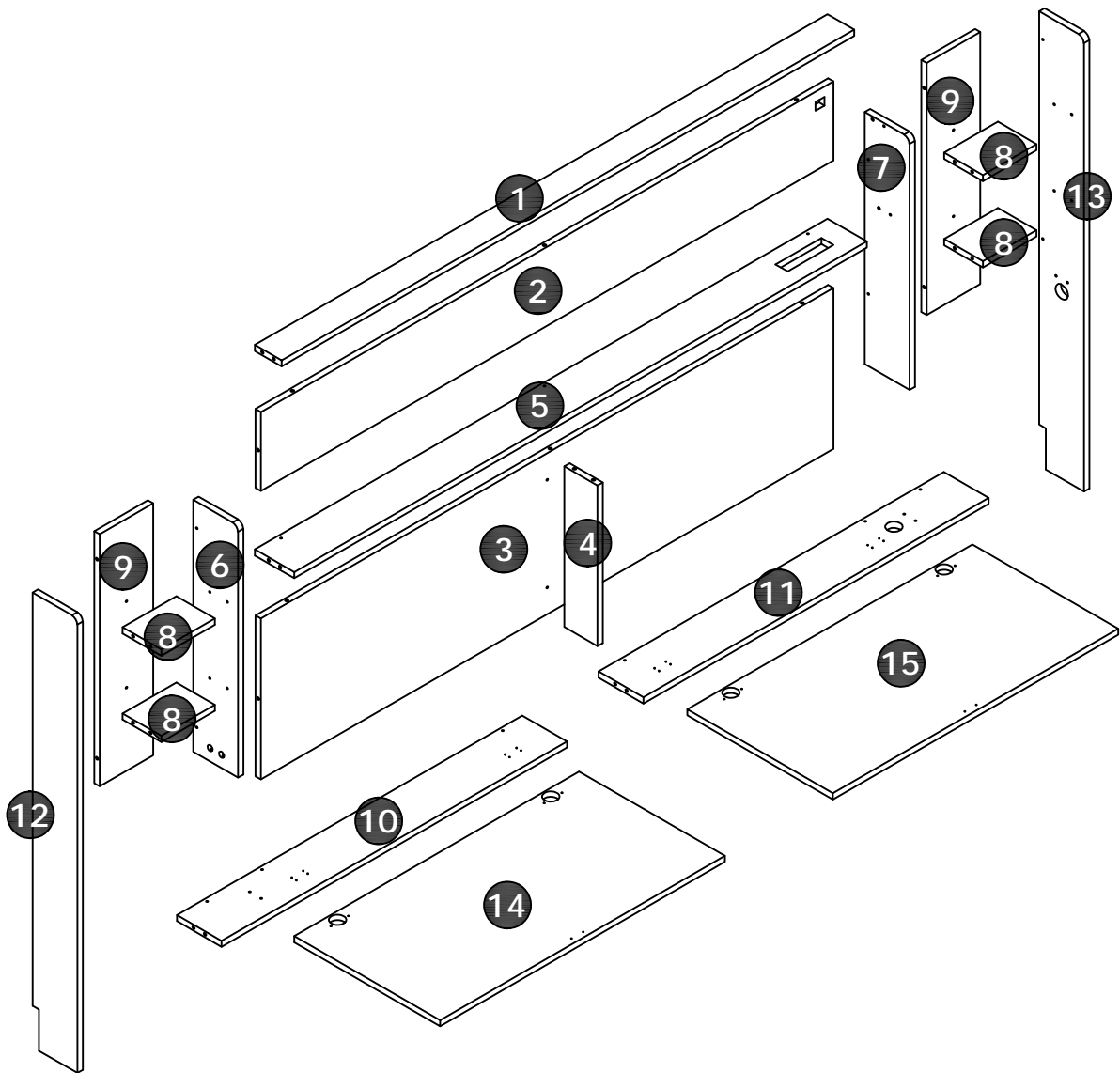
This product contains electrical components, including light strips. Improper use may result in electric shock or fire. Do not disassemble, repair, or modify electrical components yourself. Contact qualified service personnel for assistance.

- **Unplug When Not in Use:** Always unplug the power cord before cleaning, performing maintenance, or leaving the product unused for extended periods.
- **Keep Dry:** Keep the headboard and its electrical components away from water, moisture, and heat sources. Do not use in wet environments.
- **Check Power Cord:** If the power cord is damaged, discontinue use immediately and contact customer service for a replacement.
- **Grounding Requirements:** If grounding is required, ensure the product is properly grounded. Refer to the product label for grounding instructions.
- **Eye Safety:** Avoid direct eye exposure to the light source, especially for prolonged periods, to prevent discomfort or potential eye strain.
- **Keep Away from Flammable Materials:** Ensure the light strips are not in contact with flammable materials, such as bedding or curtains, to minimize fire risk.

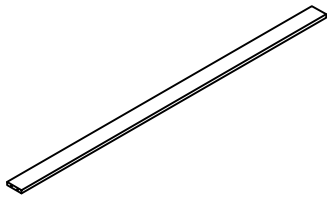


Thank you for choosing our product. We hope you enjoy your new furniture!

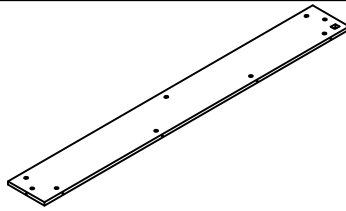
Exploded View



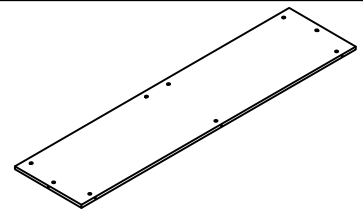
Parts List



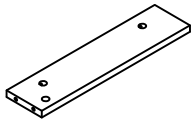
1 x1



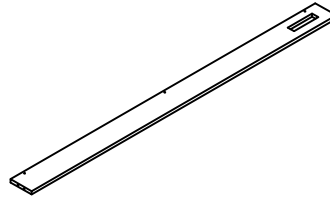
2 x1



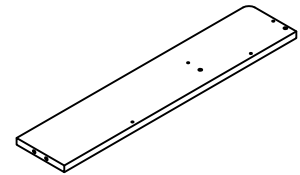
3 x1



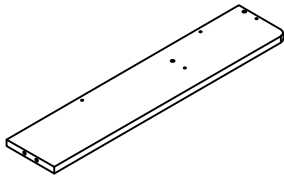
4 x1



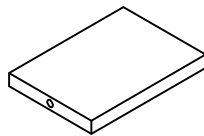
5 x1



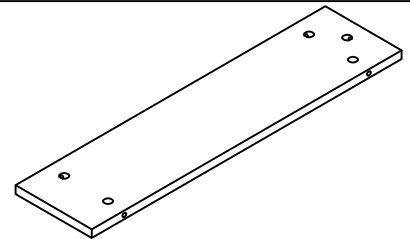
6 x1



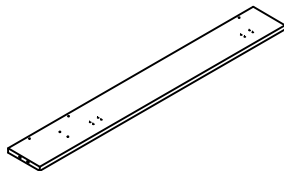
7 x1



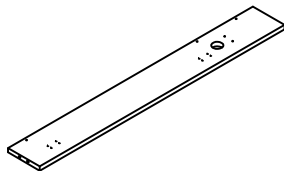
8 x4



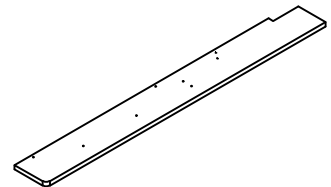
9 x2



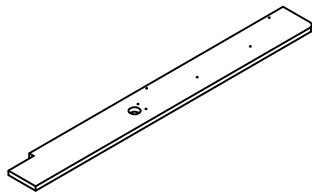
10 x1



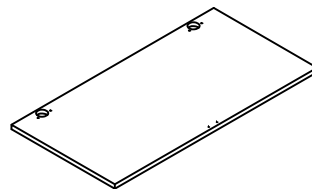
11 x1



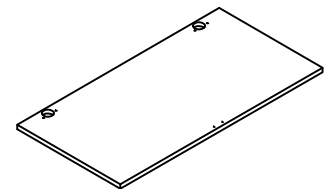
12 x1



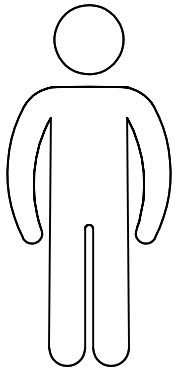
13 x1



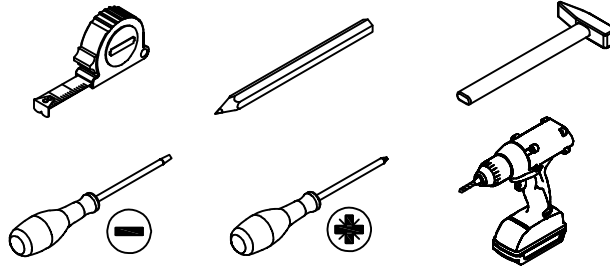
14 x1



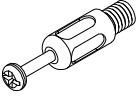
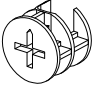
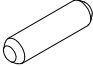

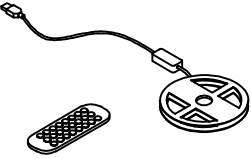
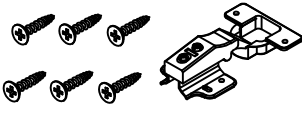
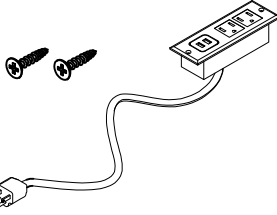
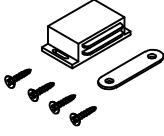

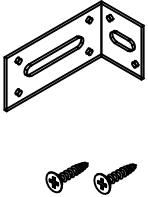

15 x1



Please prepare the following tools



Hardware List

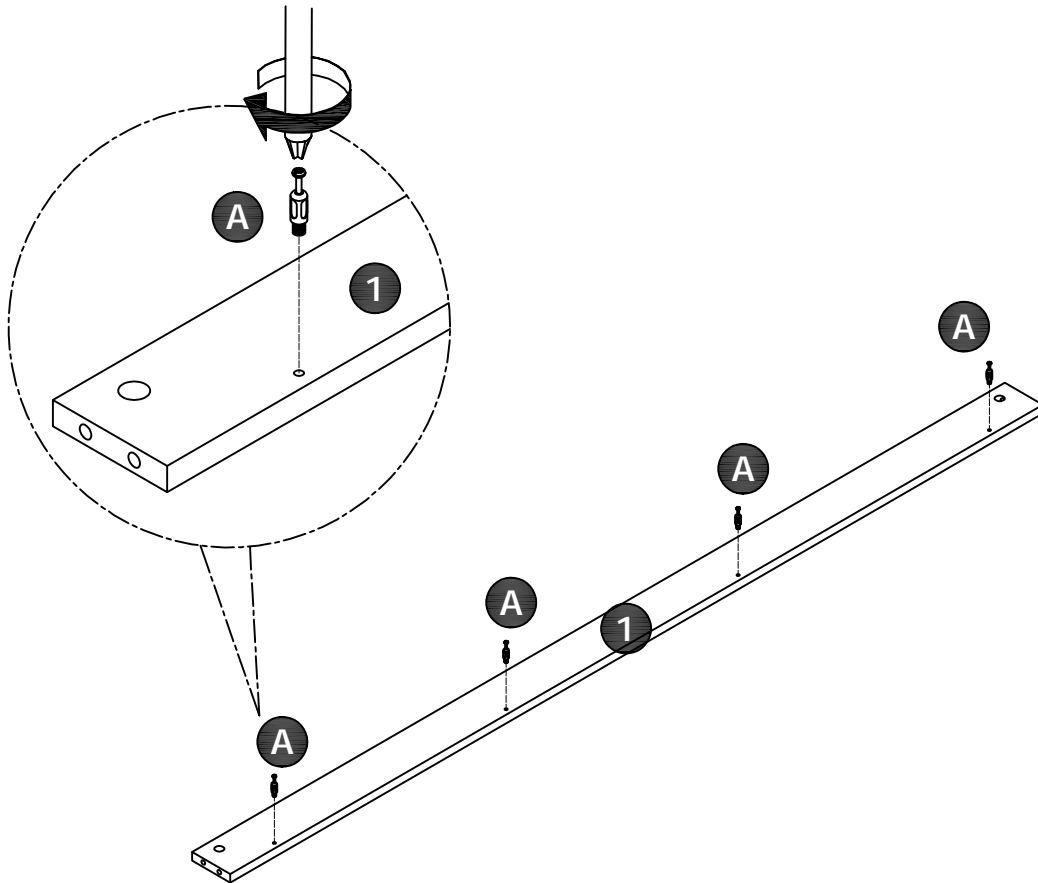
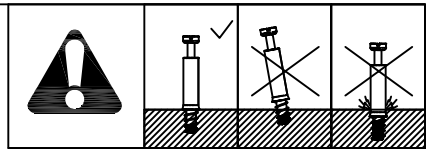
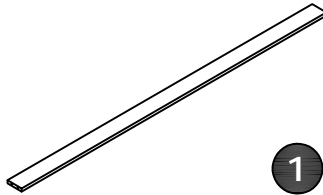
 M6*35mm	 Ø12*10mm	 Ø8*30mm	 Ø8*30mm
A x55	B x59	C x13	D x1
			
E x1	F x4	G x1	H x2
			
I x2	J x3	K x3	

1

A x 4




M6*35mm

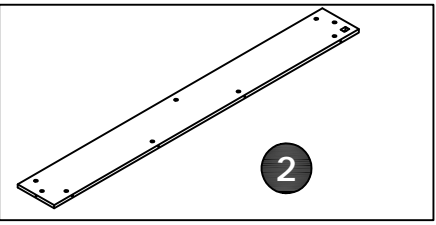


2

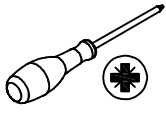
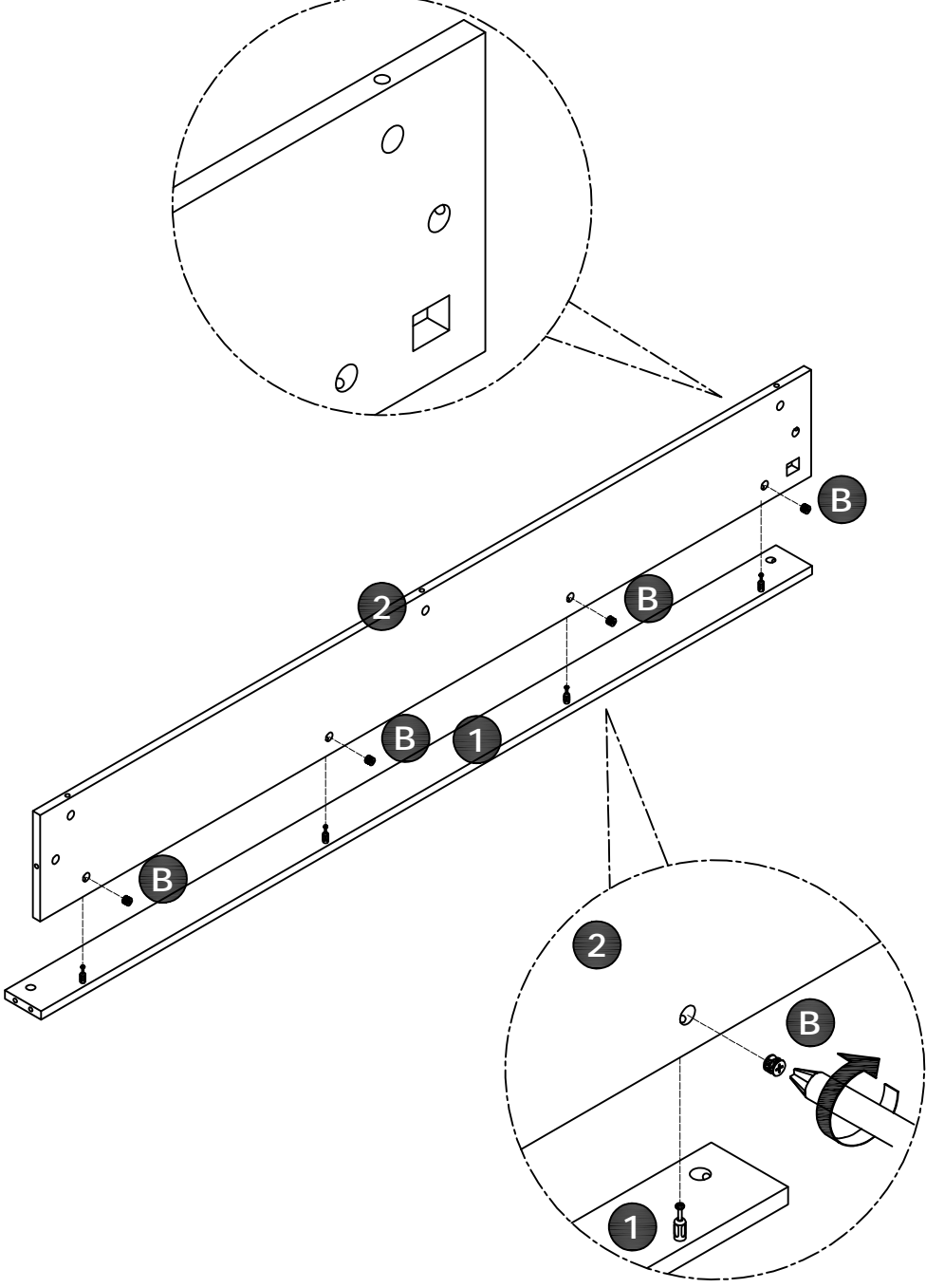
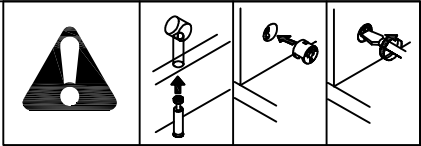
B x 4



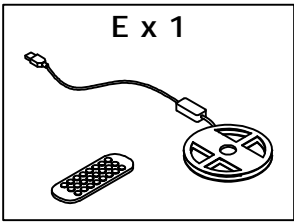
Ø12*10mm



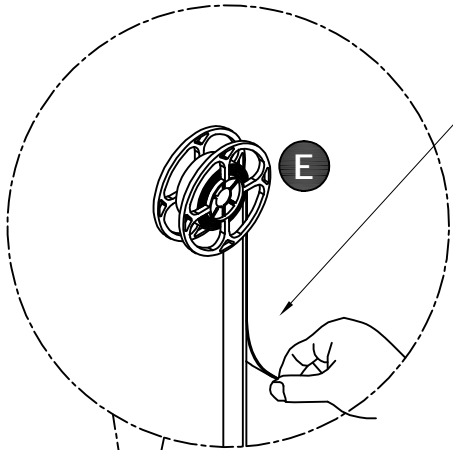
2



3

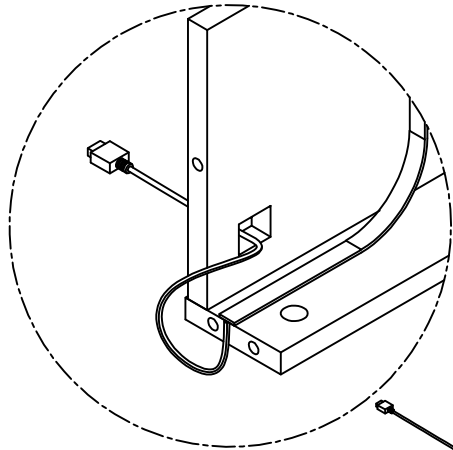


Peel off the adhesive backing of Part E.



E

1

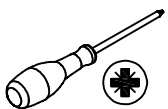
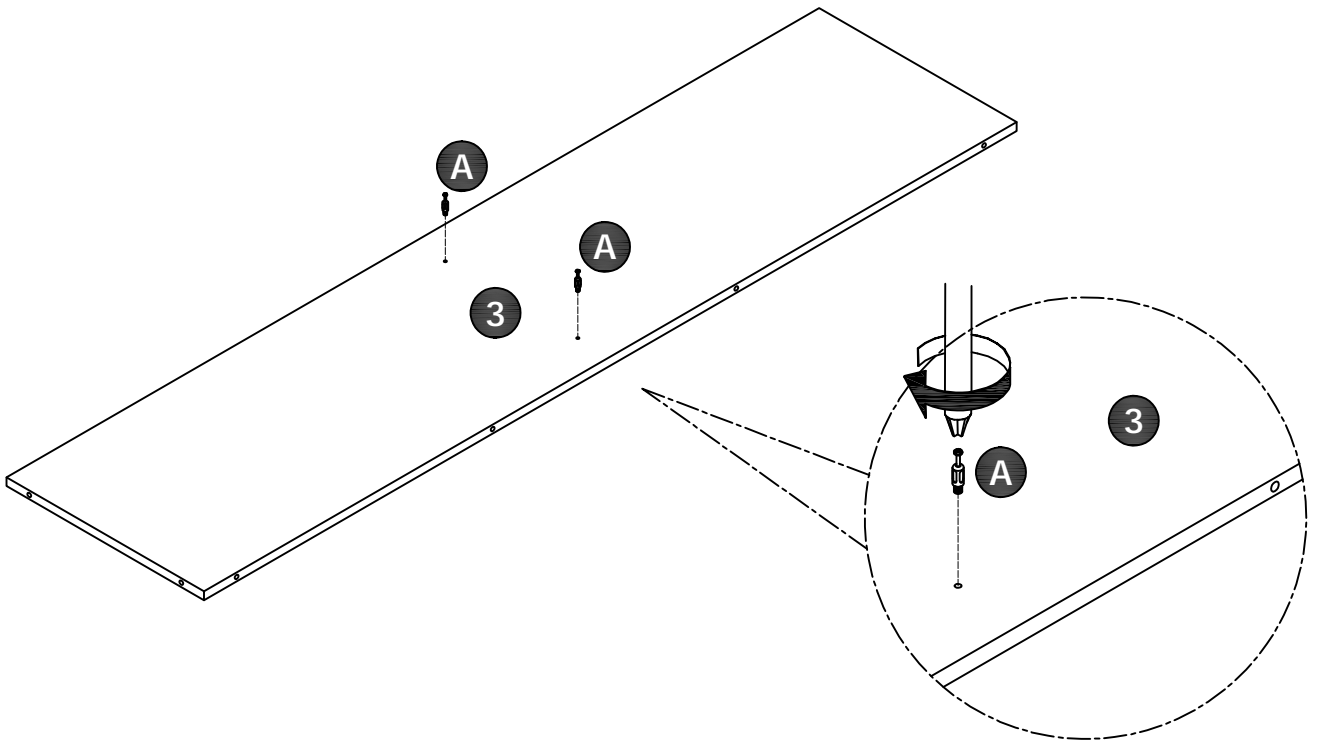
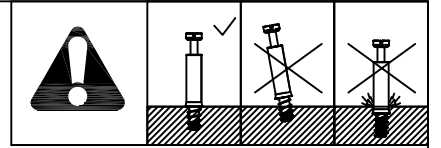
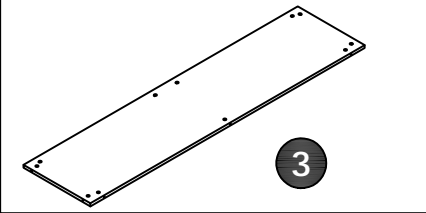


4

A x 2



M6*35mm

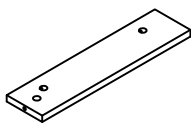


5

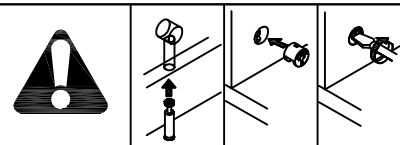
B x 2



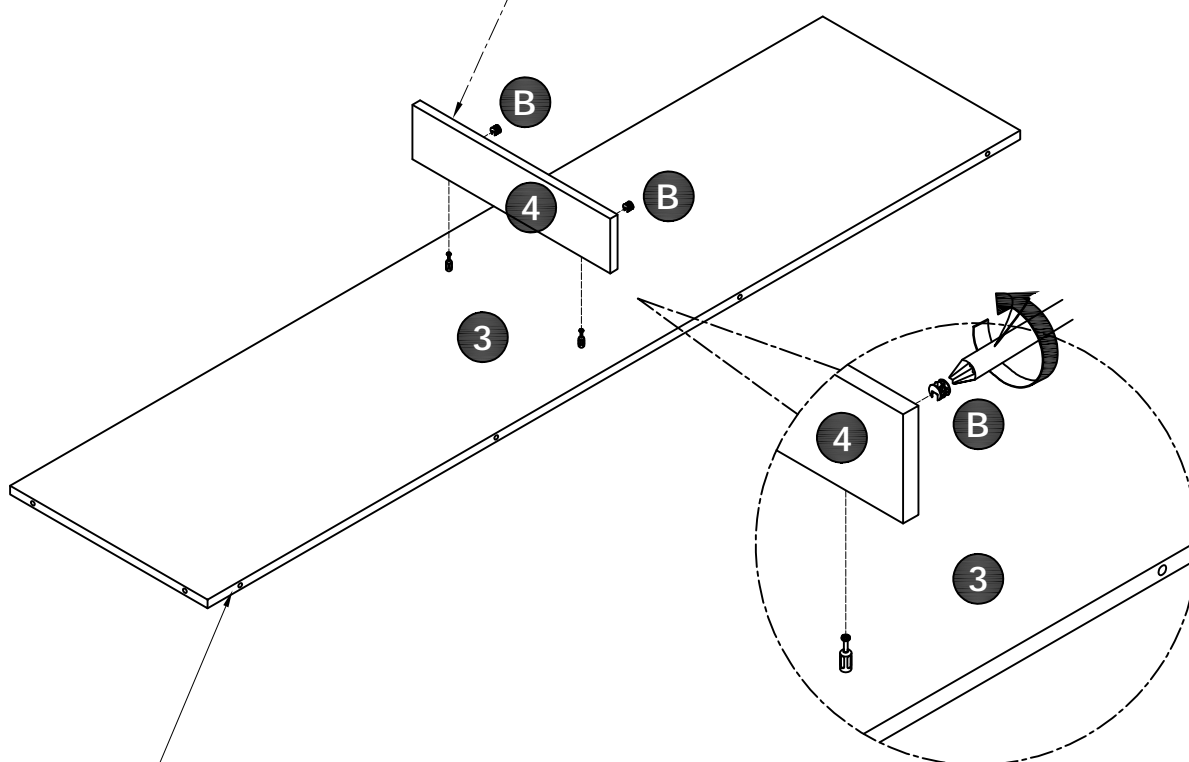
Ø12*10mm



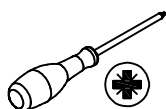
4



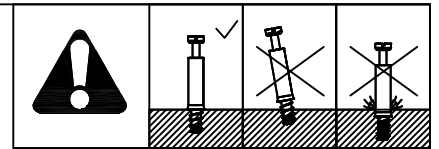
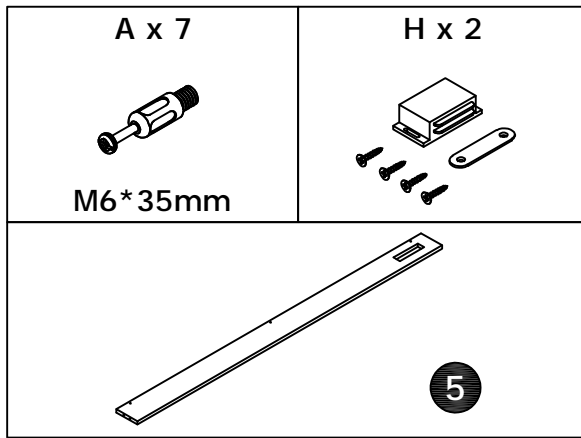
When placing Panel 4, turn the side with 3 holes (on the board) toward the right.



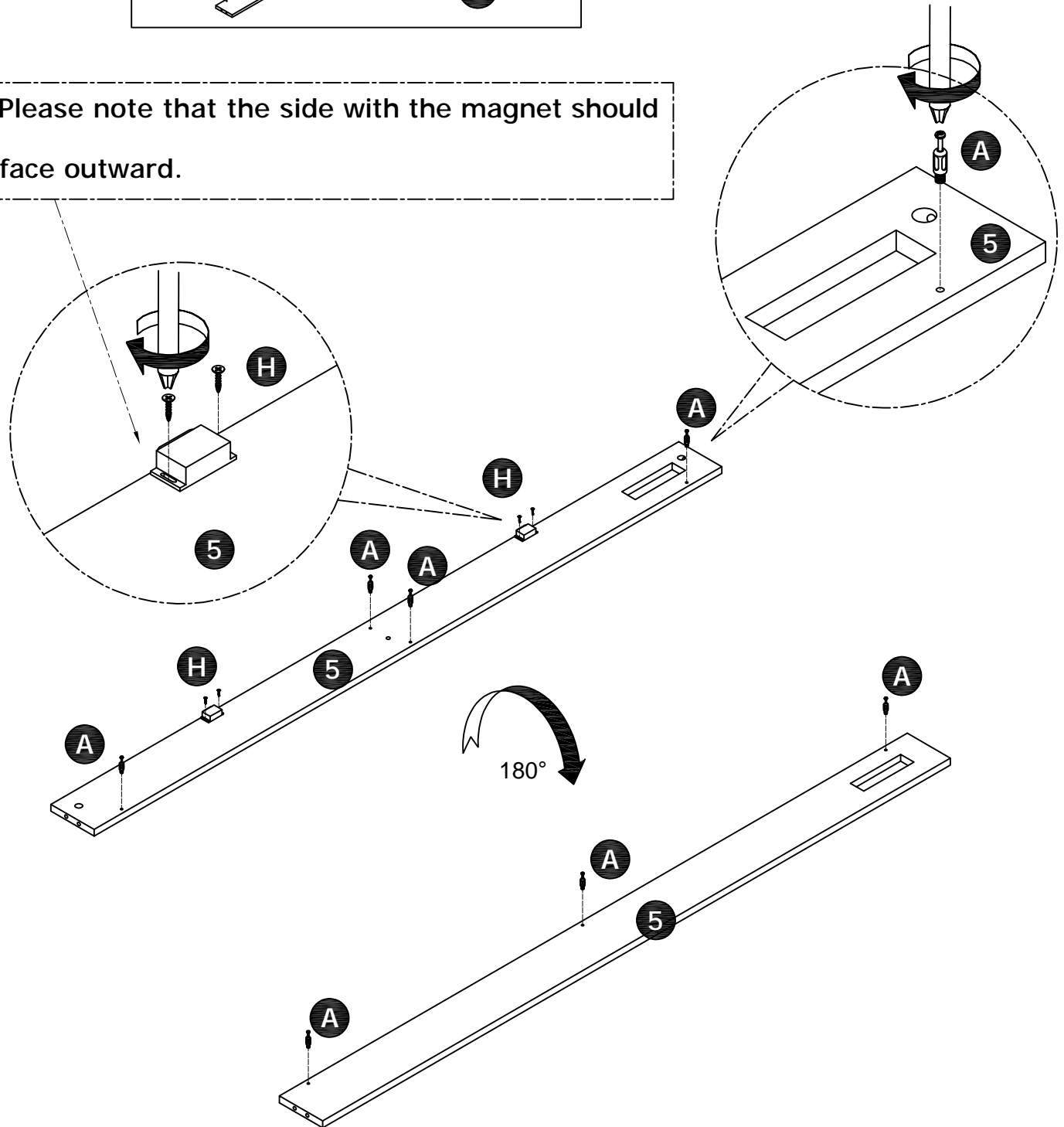
Please note Panel 3,
the side with 4 holes should face the installer's inner side.




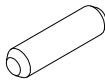
6

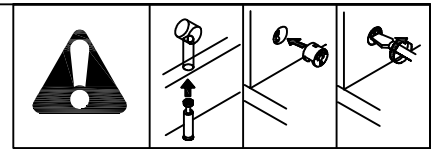


Please note that the side with the magnet should face outward.

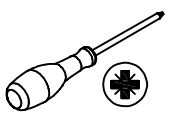
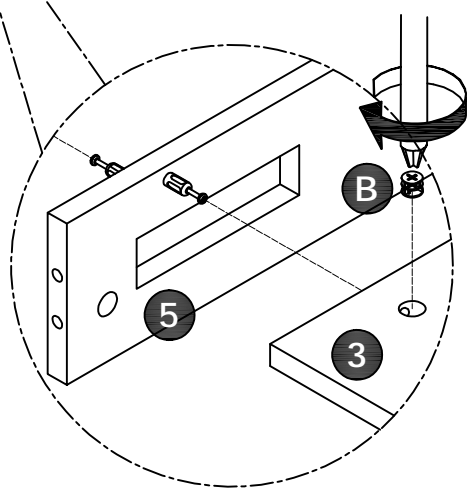
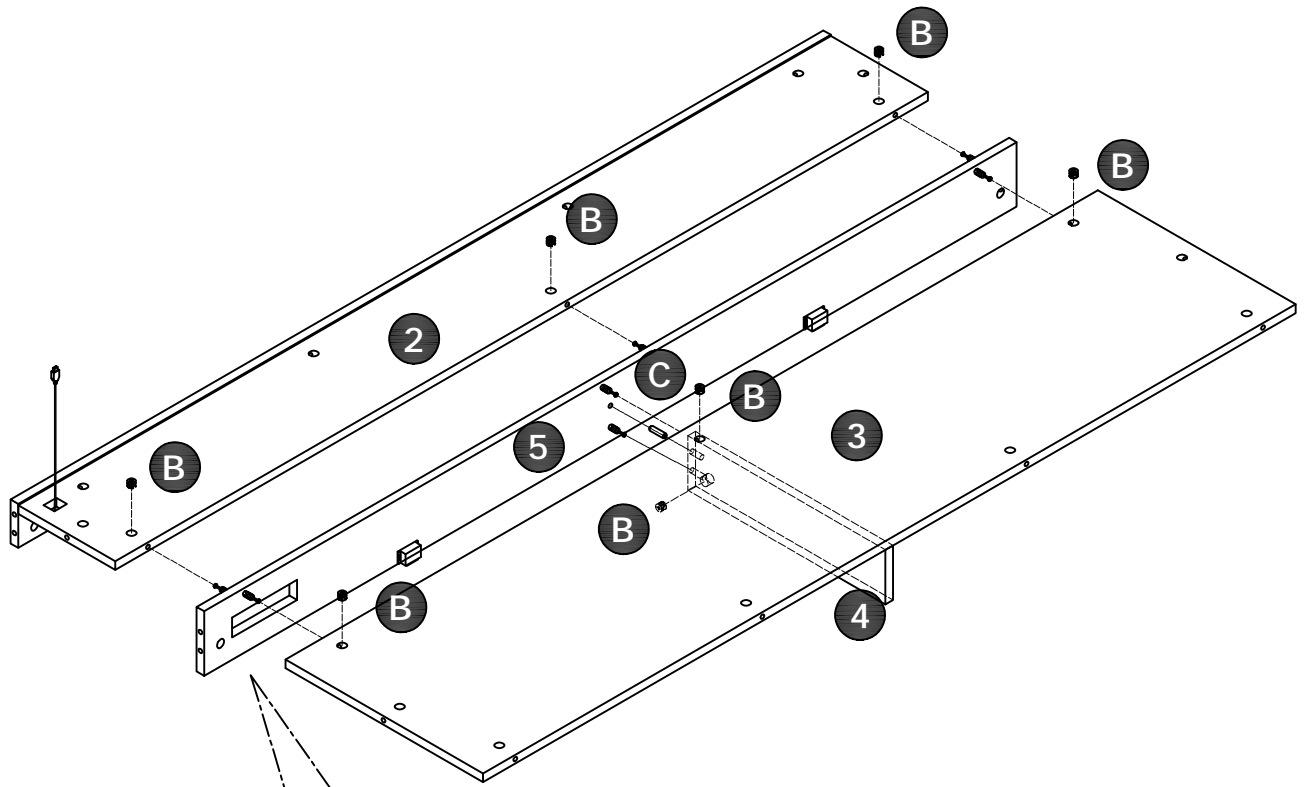


7

B x 7  Ø12*10mm	C x 1  Ø8*30mm
---	--



Please note that for Panel 3,
the long side with 4 holes should face the installer's inner side,
and the long side with 3 holes should face the installer's outer side.

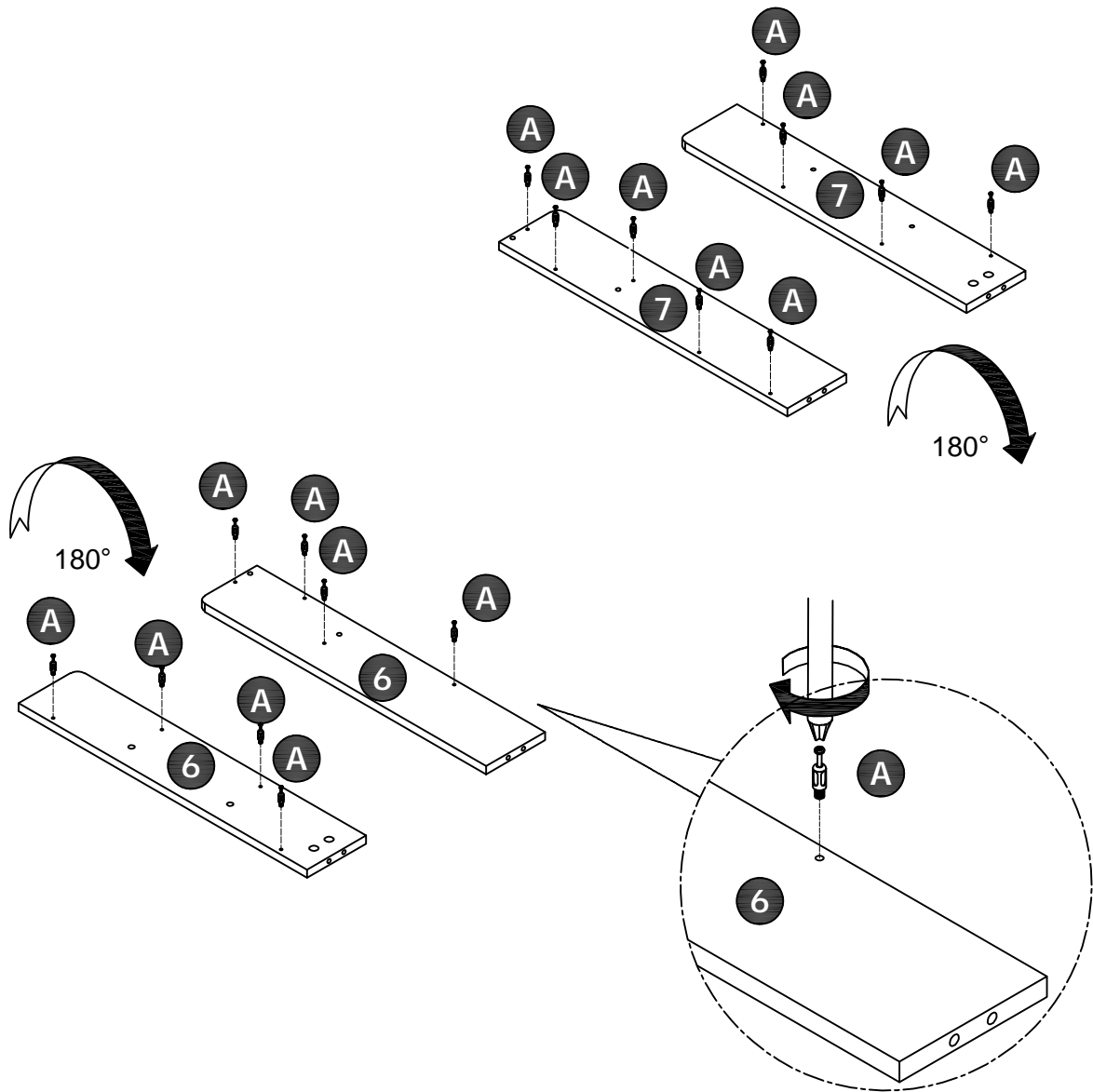
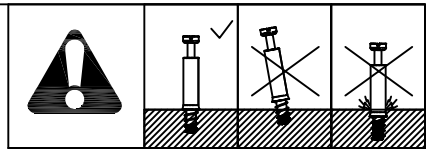
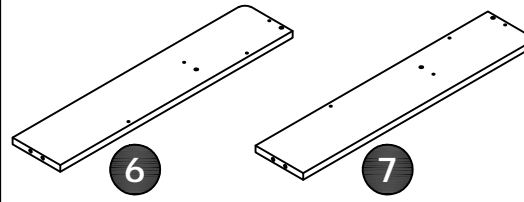


8


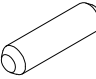
A x 16

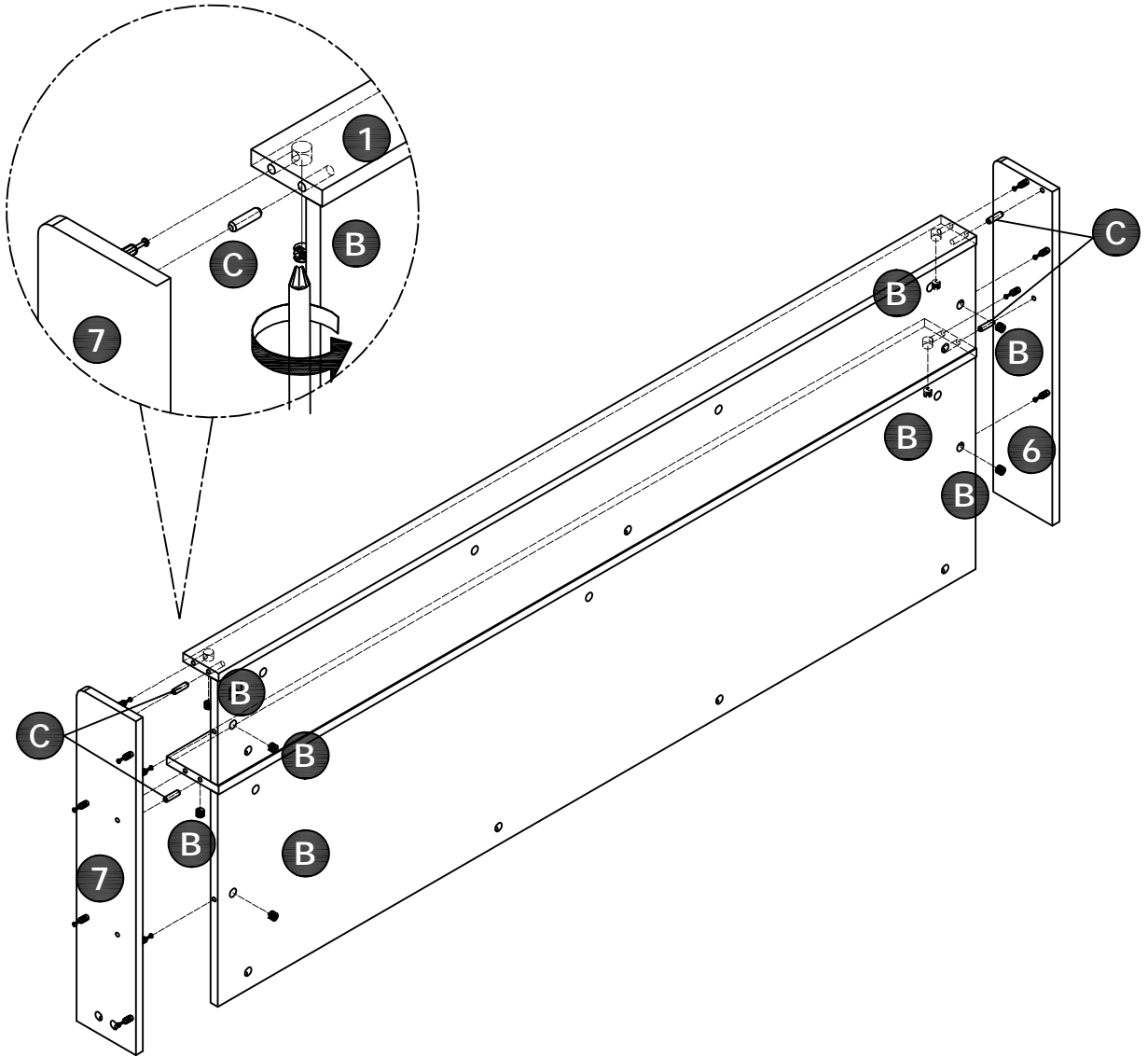
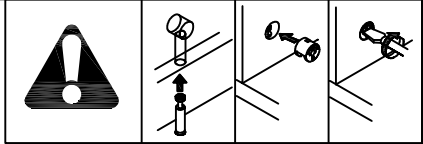


M6*35mm

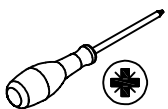
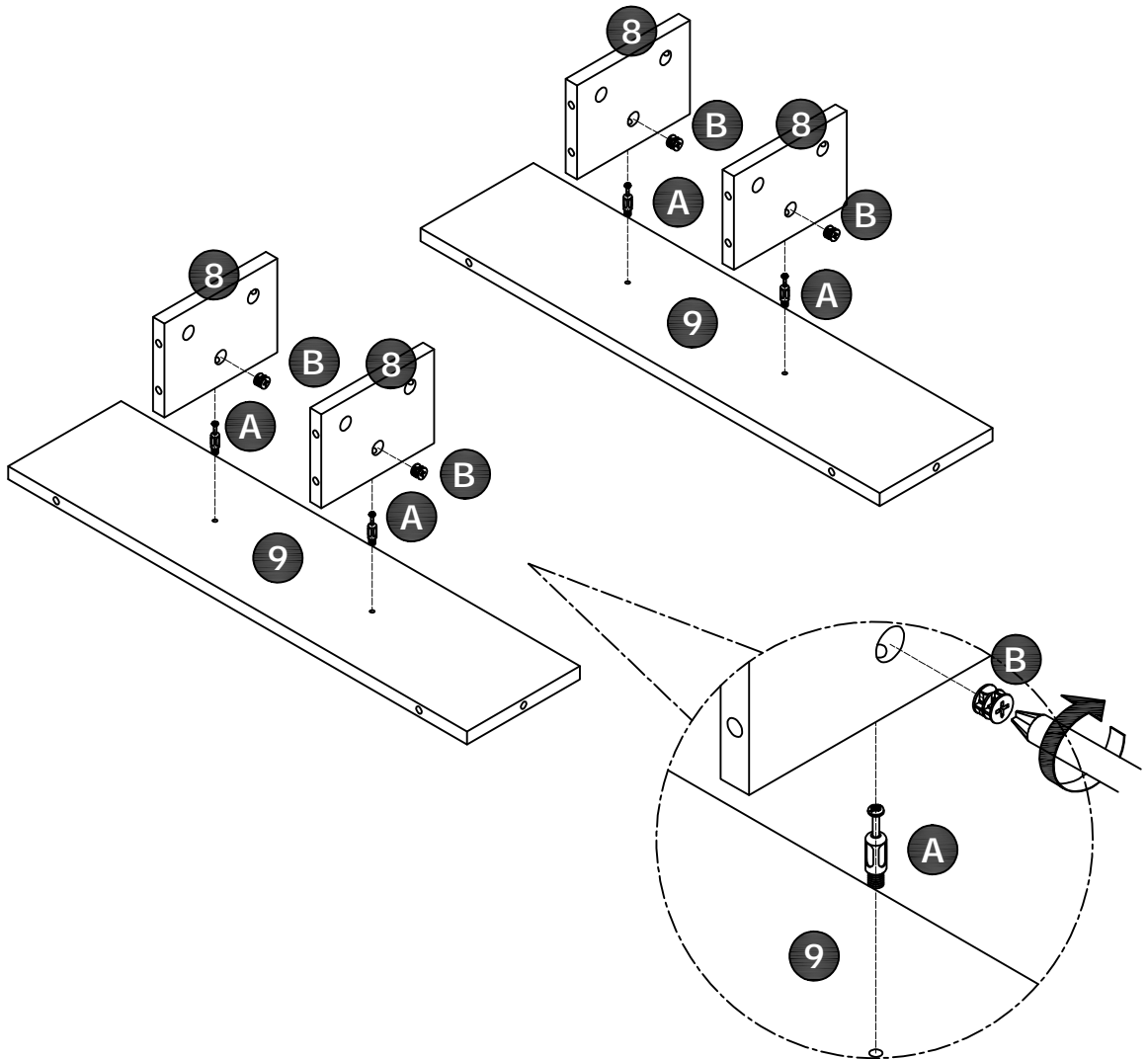
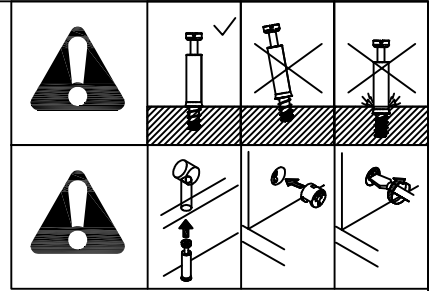
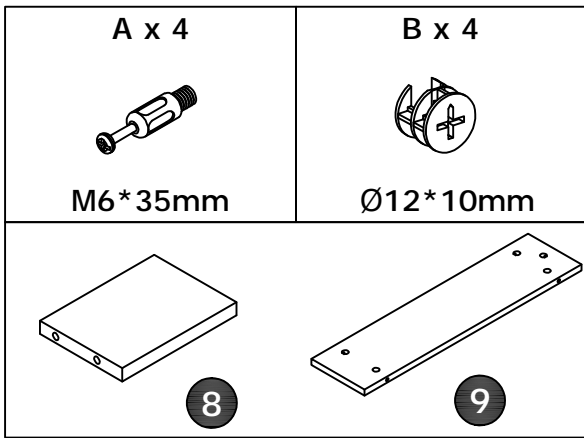


9

<p>B x 8</p>  <p>Ø12*10mm</p>	<p>C x 4</p>  <p>Ø8*30mm</p>
--	---



10



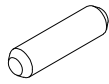
11

B x 8

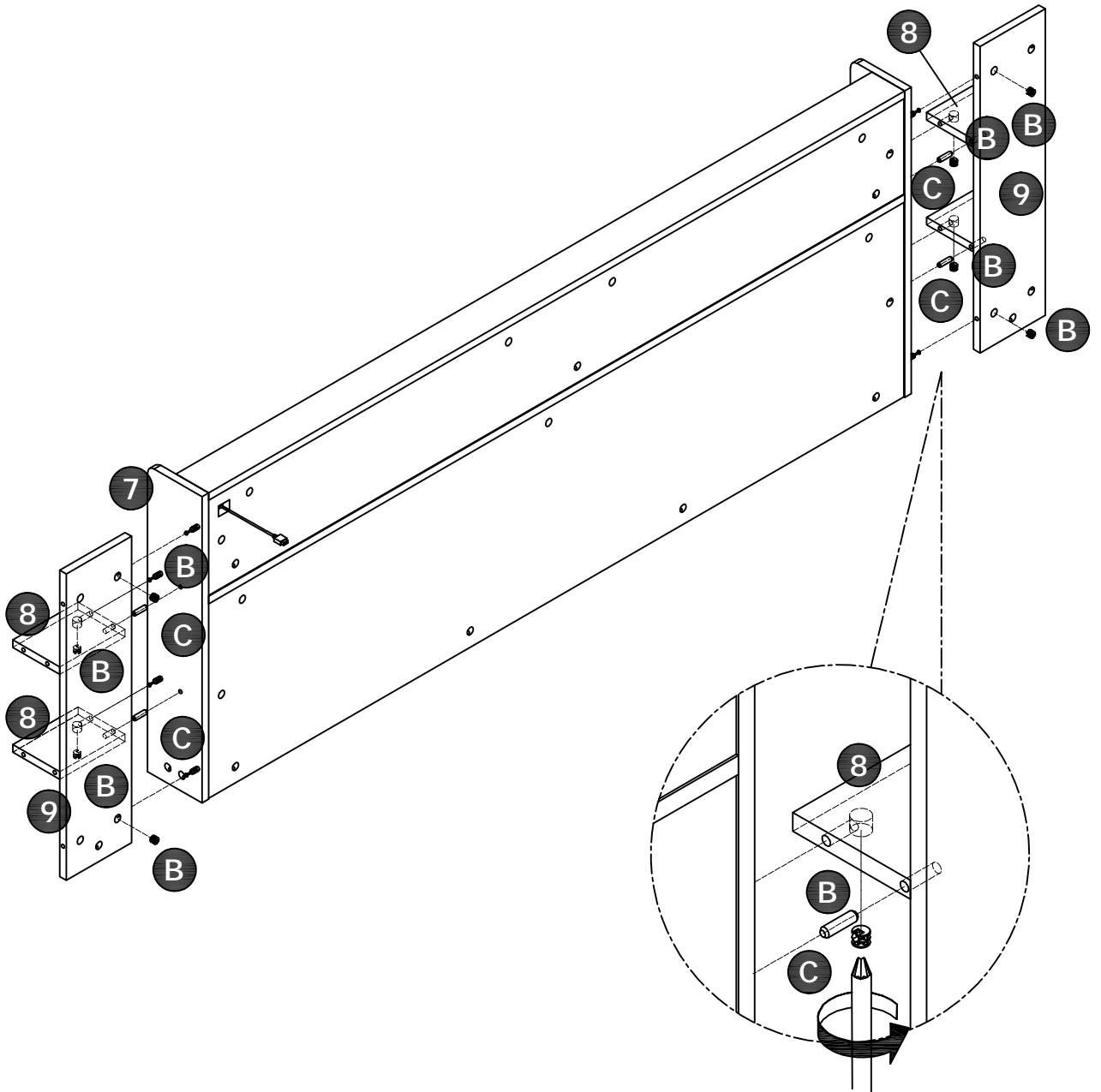
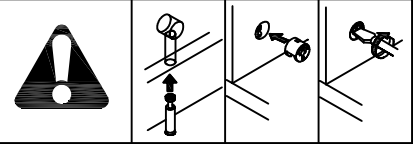


Ø12*10mm

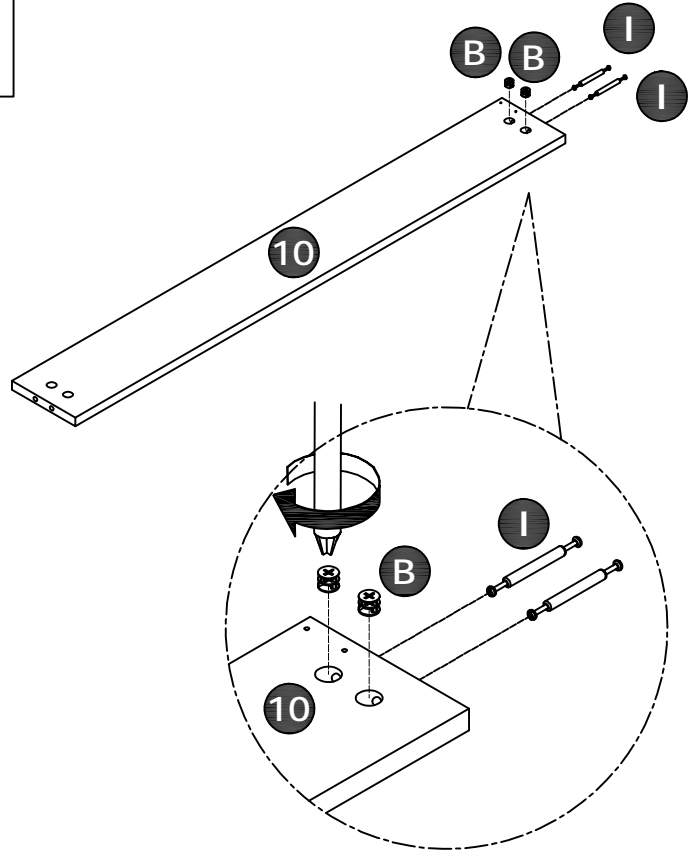
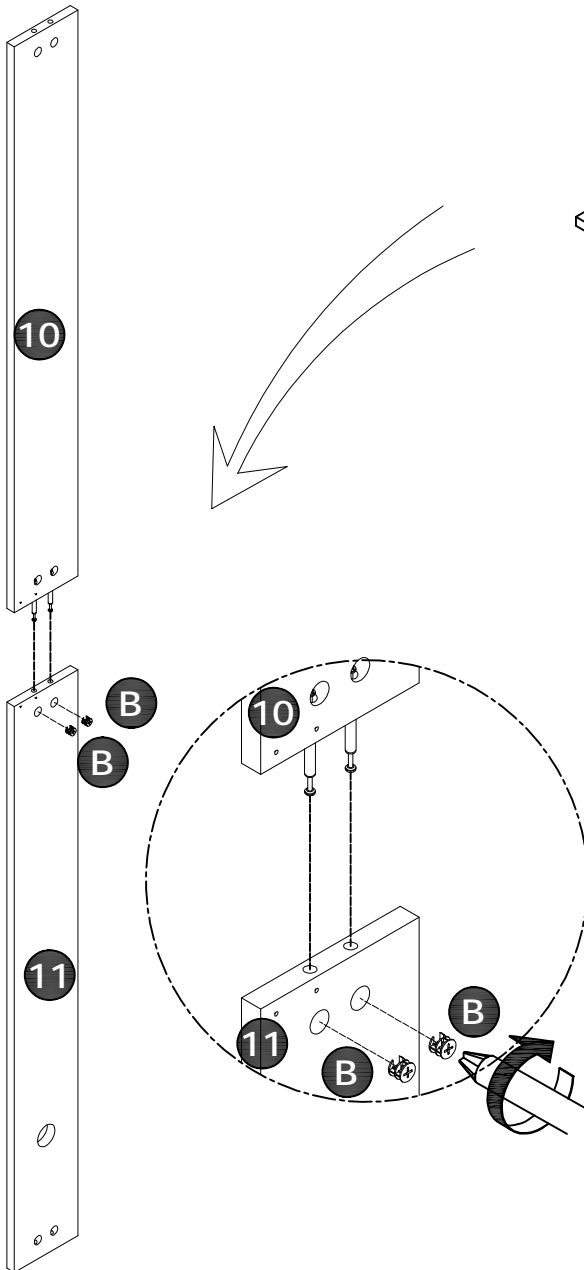
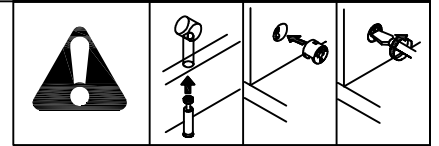
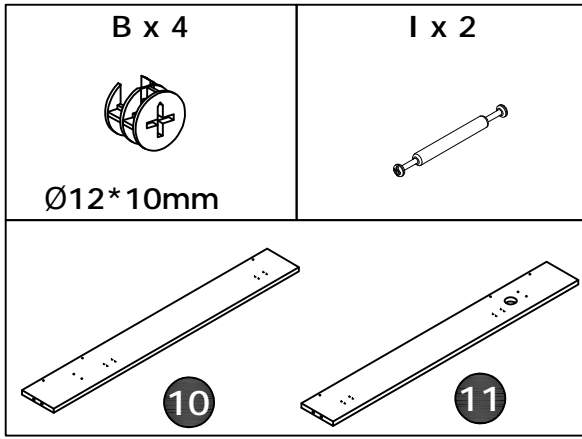
C x 4



Ø8*30mm

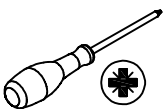


12



Please note that for parts B and I on Panel 10, do not tighten them fully—just enough to hold them together.

Once Panel 10 and Panel 11 are connected, then tighten these 4 parts B completely.

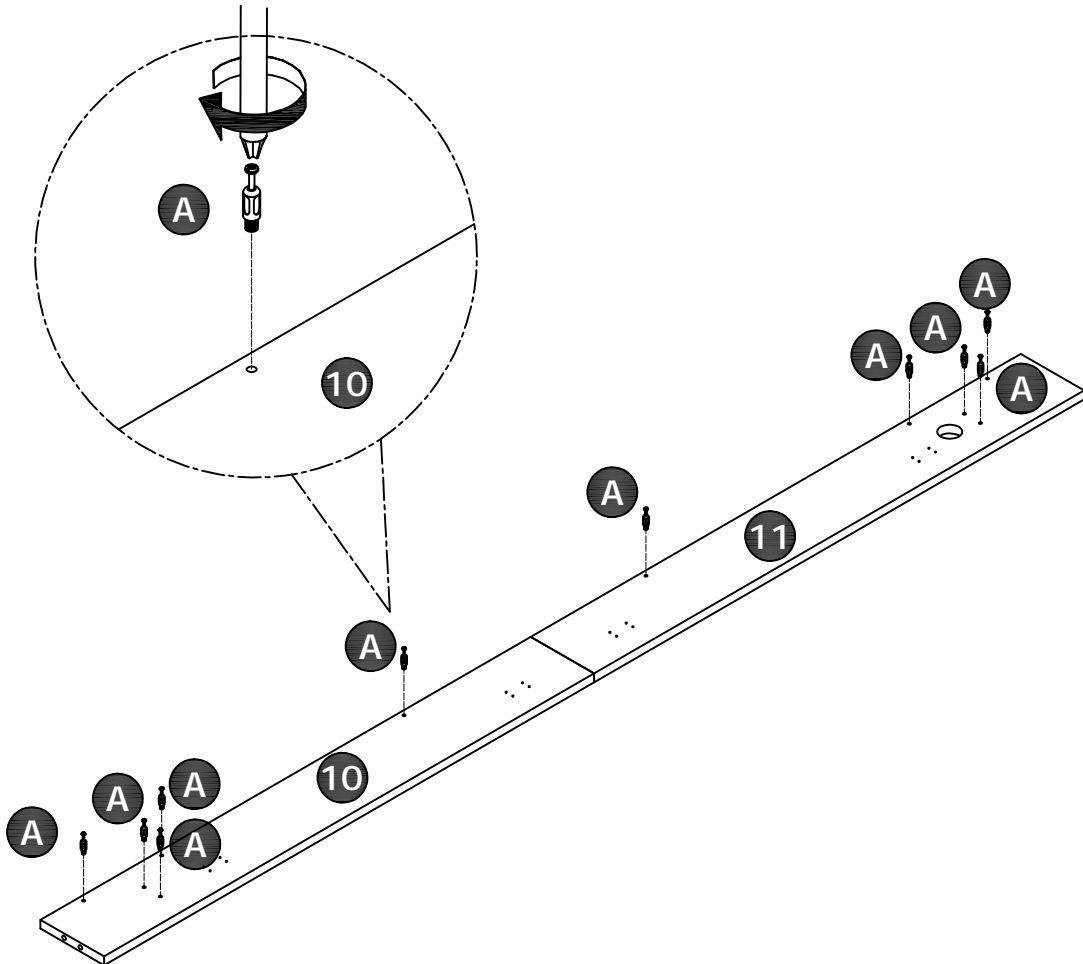
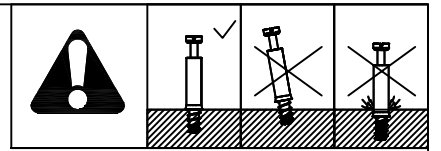


13

A x 10



M6*35mm

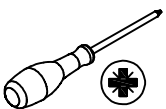
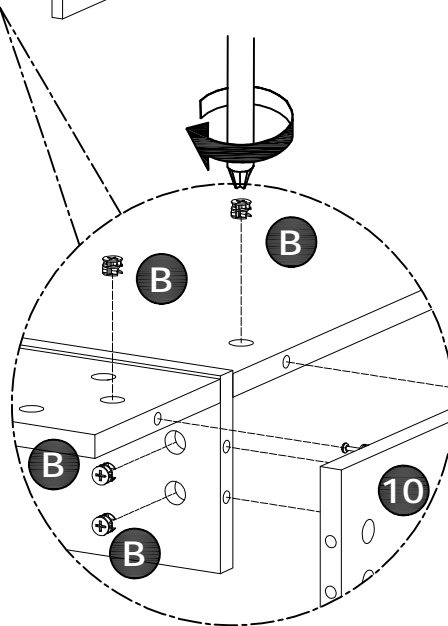
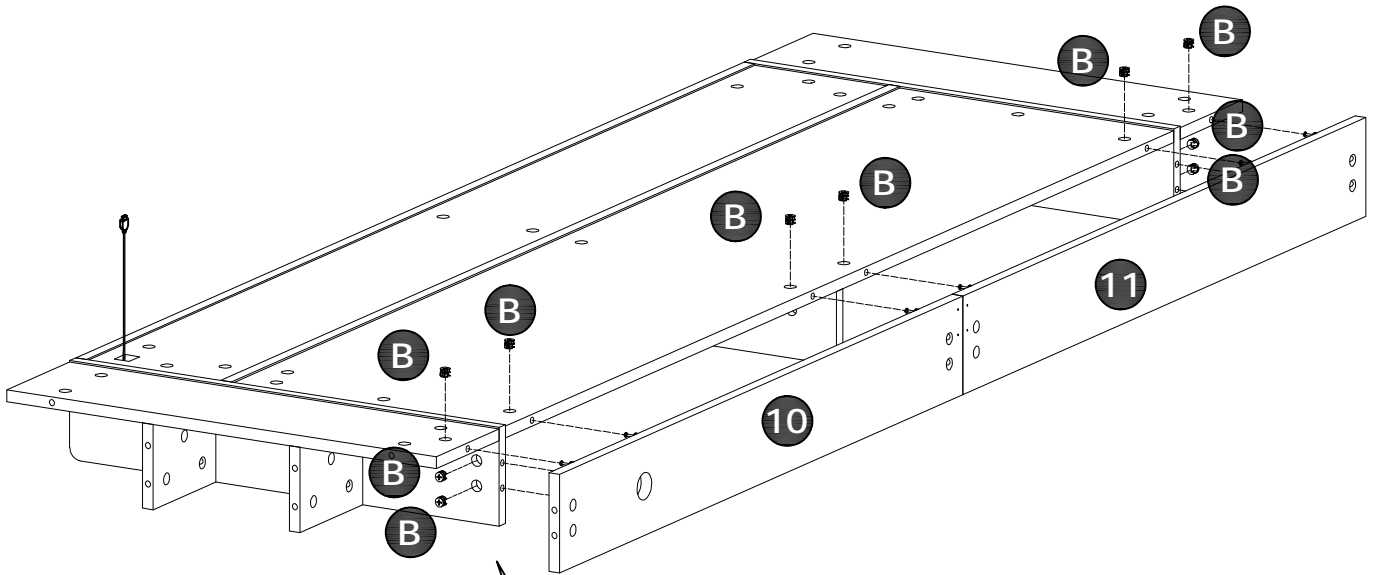
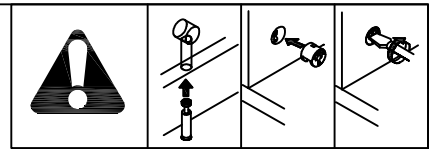


14

B x 10

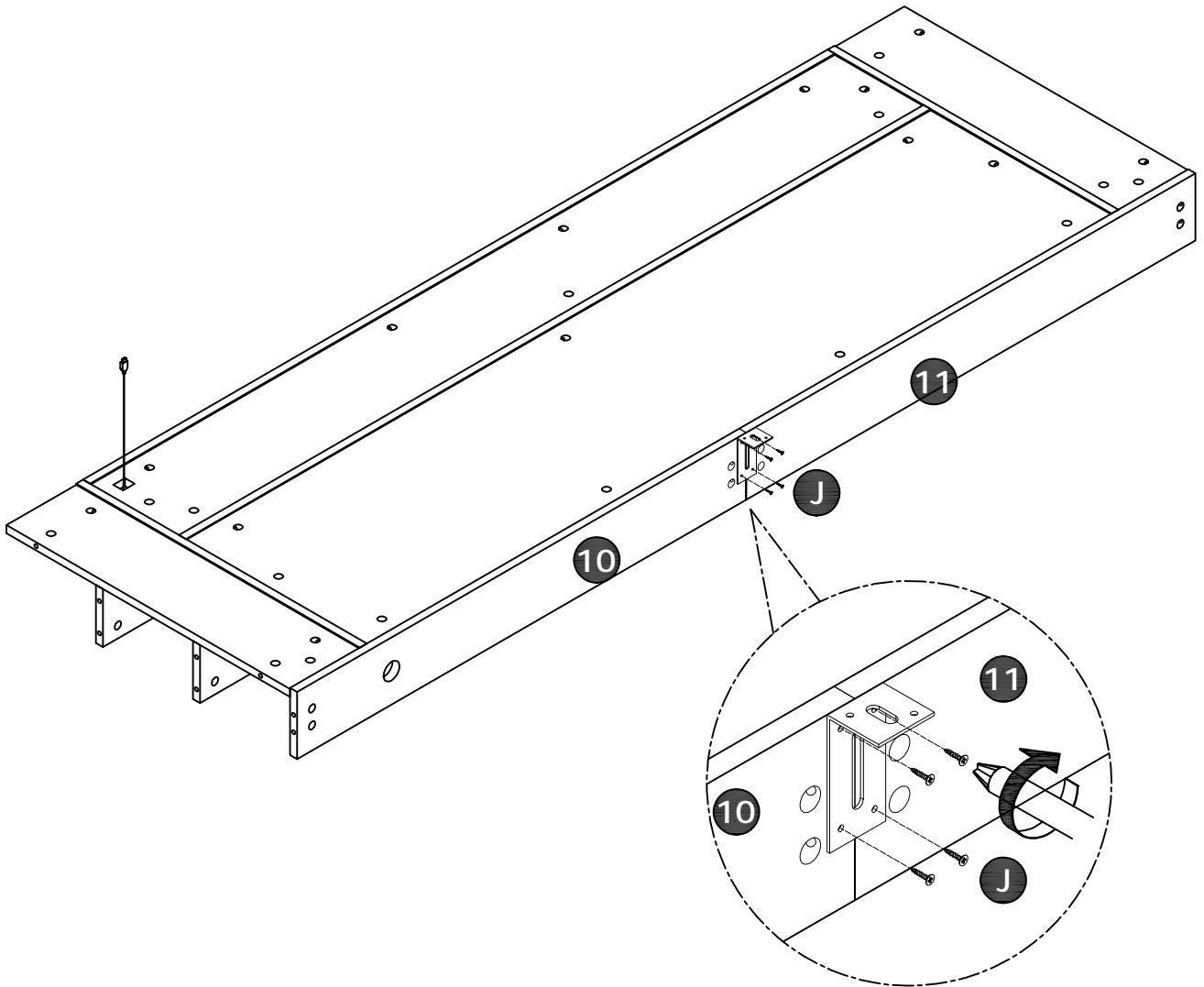
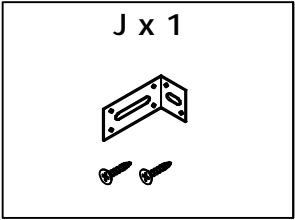


Ø12*10mm



15

J x 1

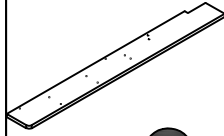


16

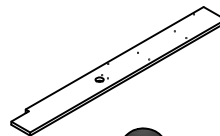
A x 12



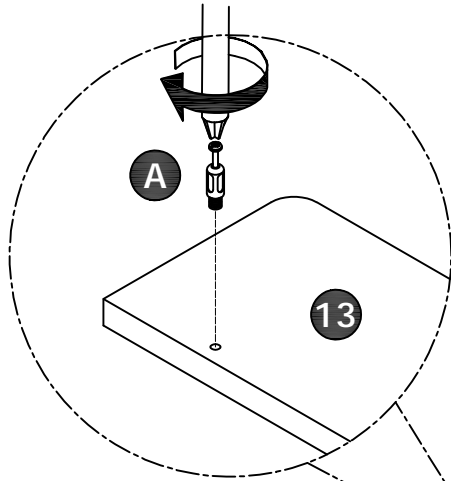
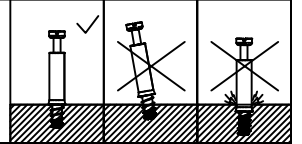
M6*35mm



12

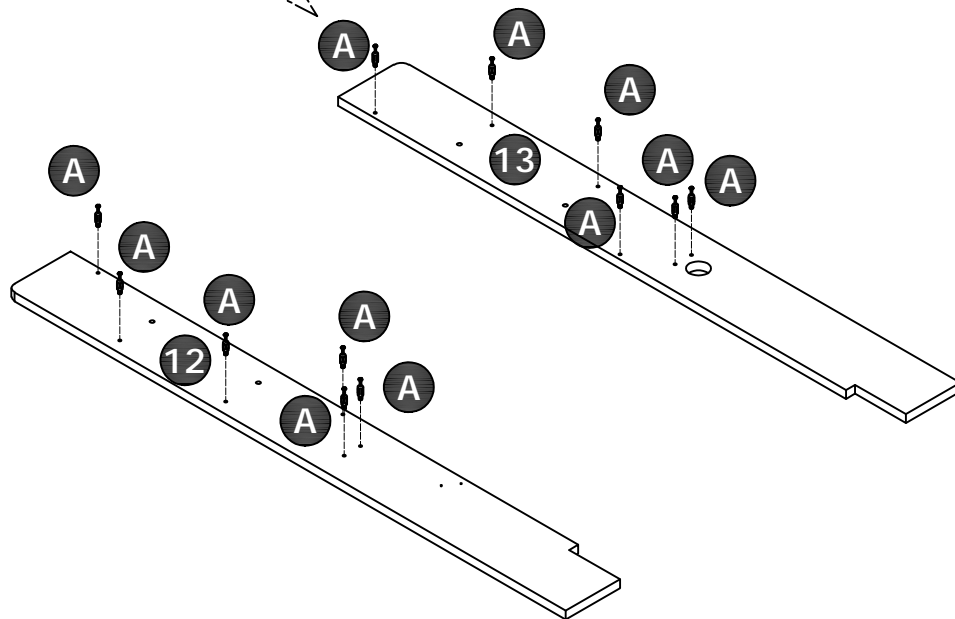


13



A

13

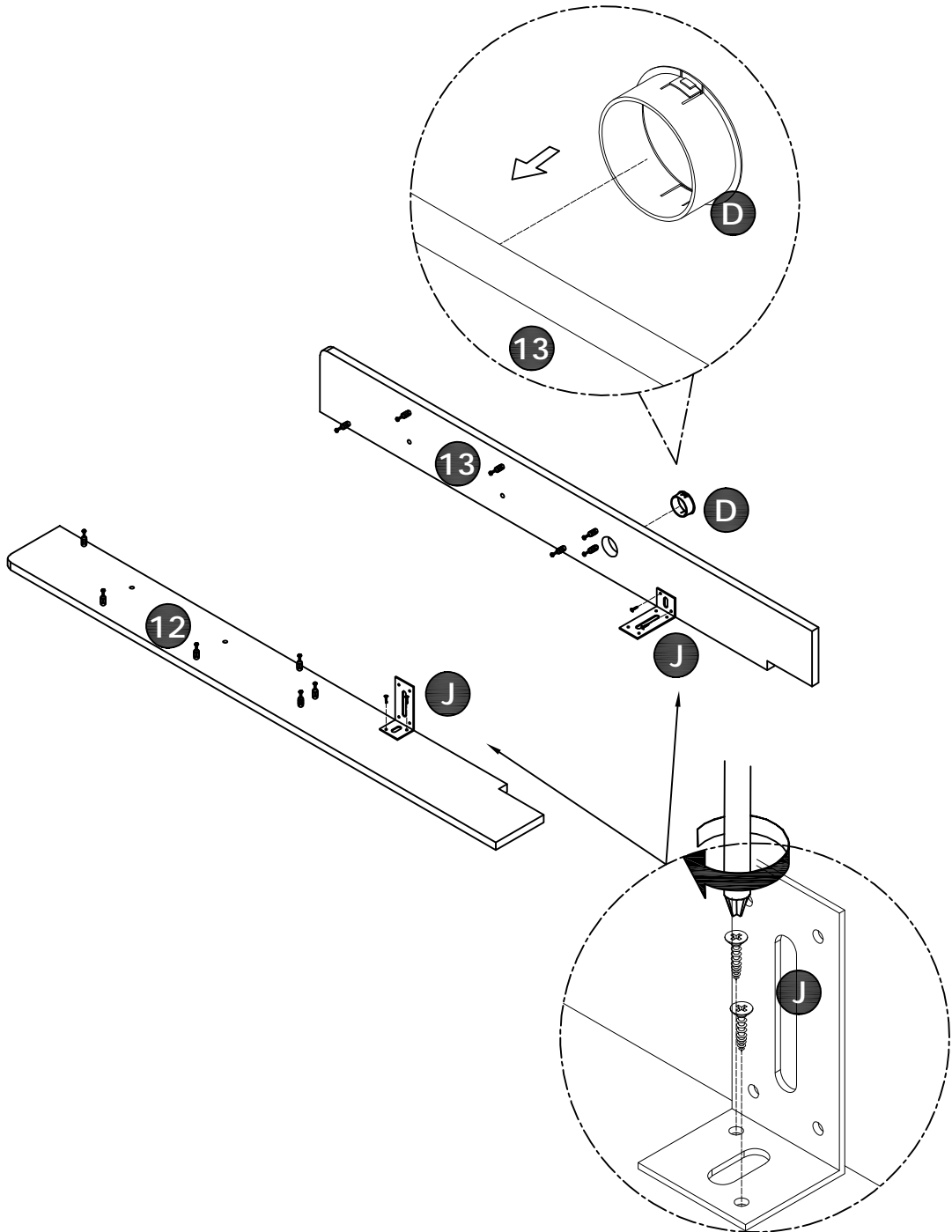
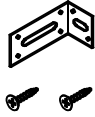


17

D x 1



J x 2



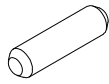
18

B x 12

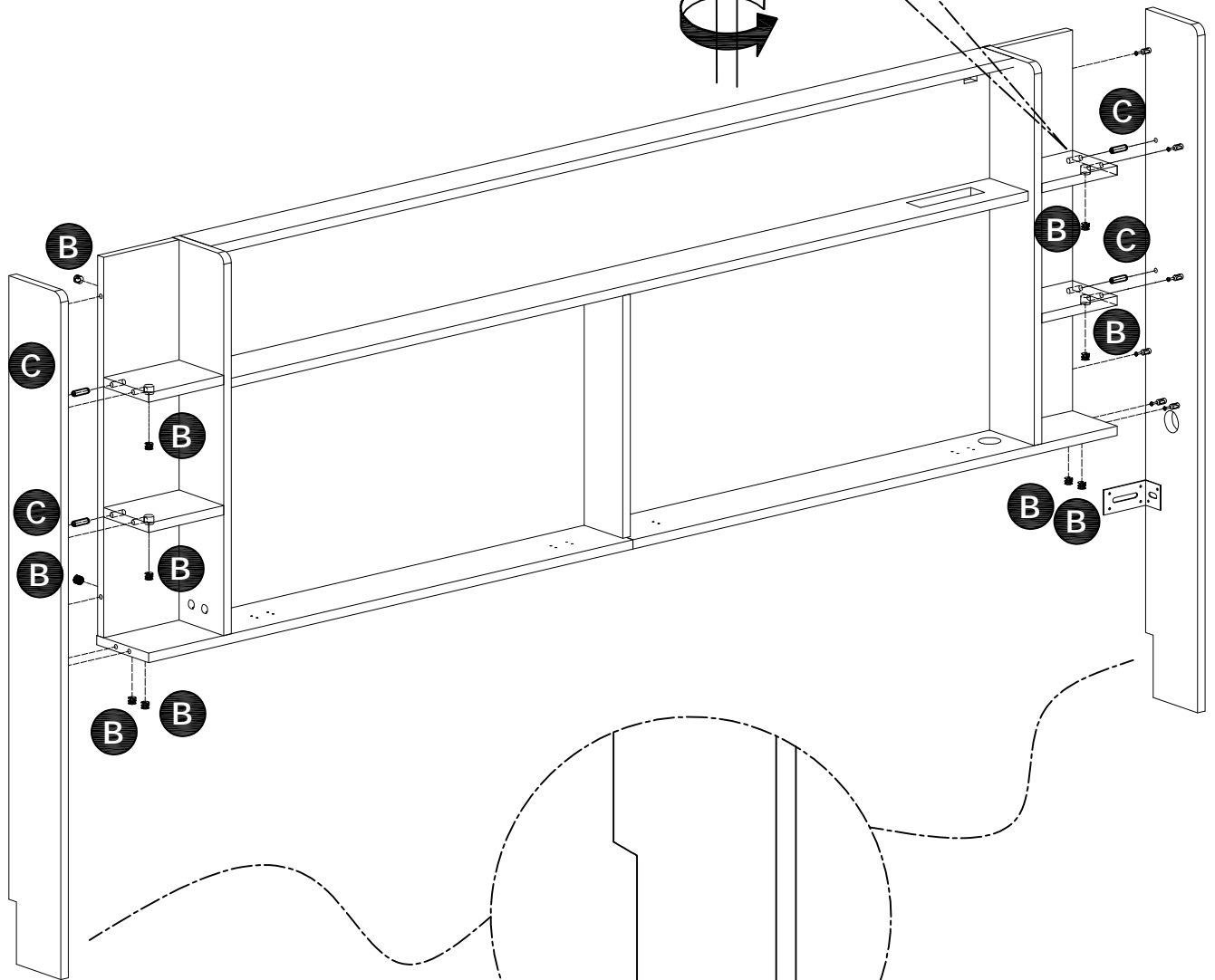
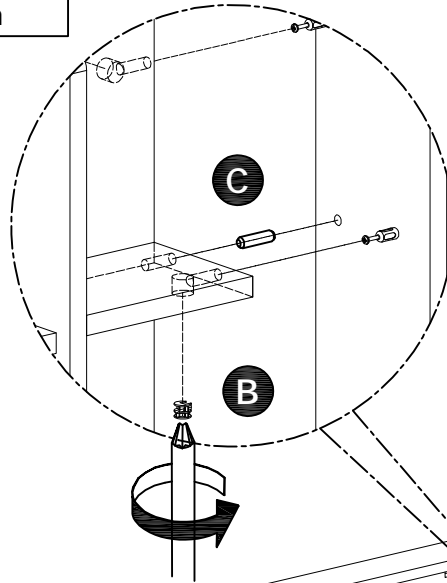
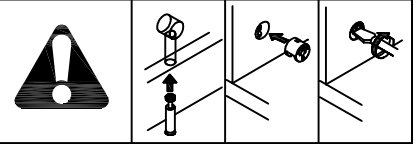


Ø12*10mm

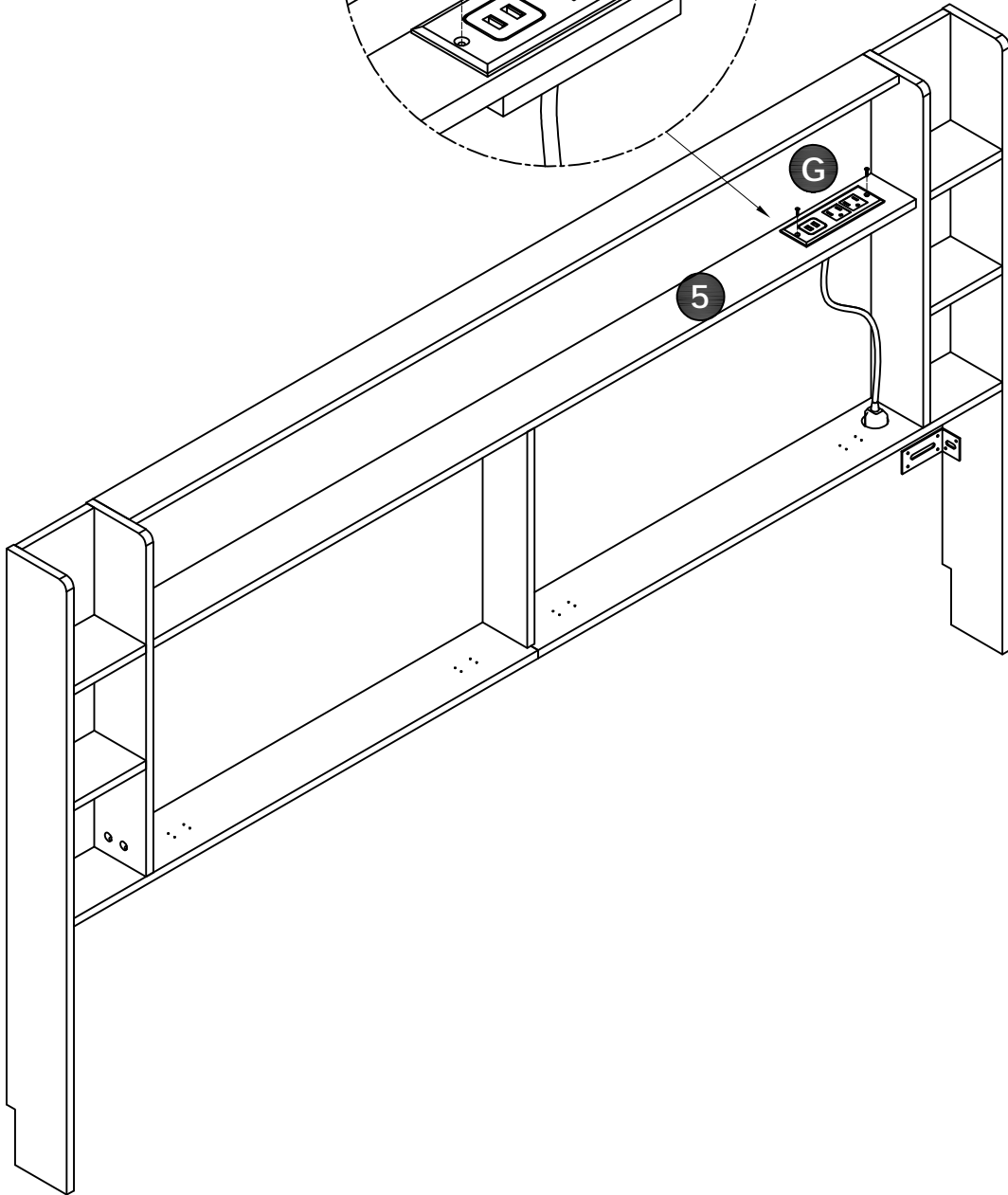
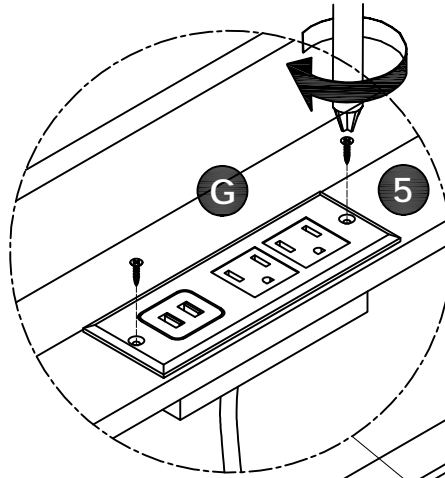
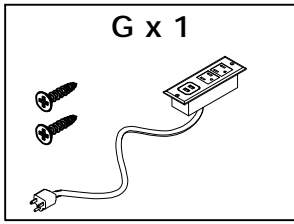
C x 4



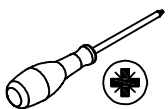
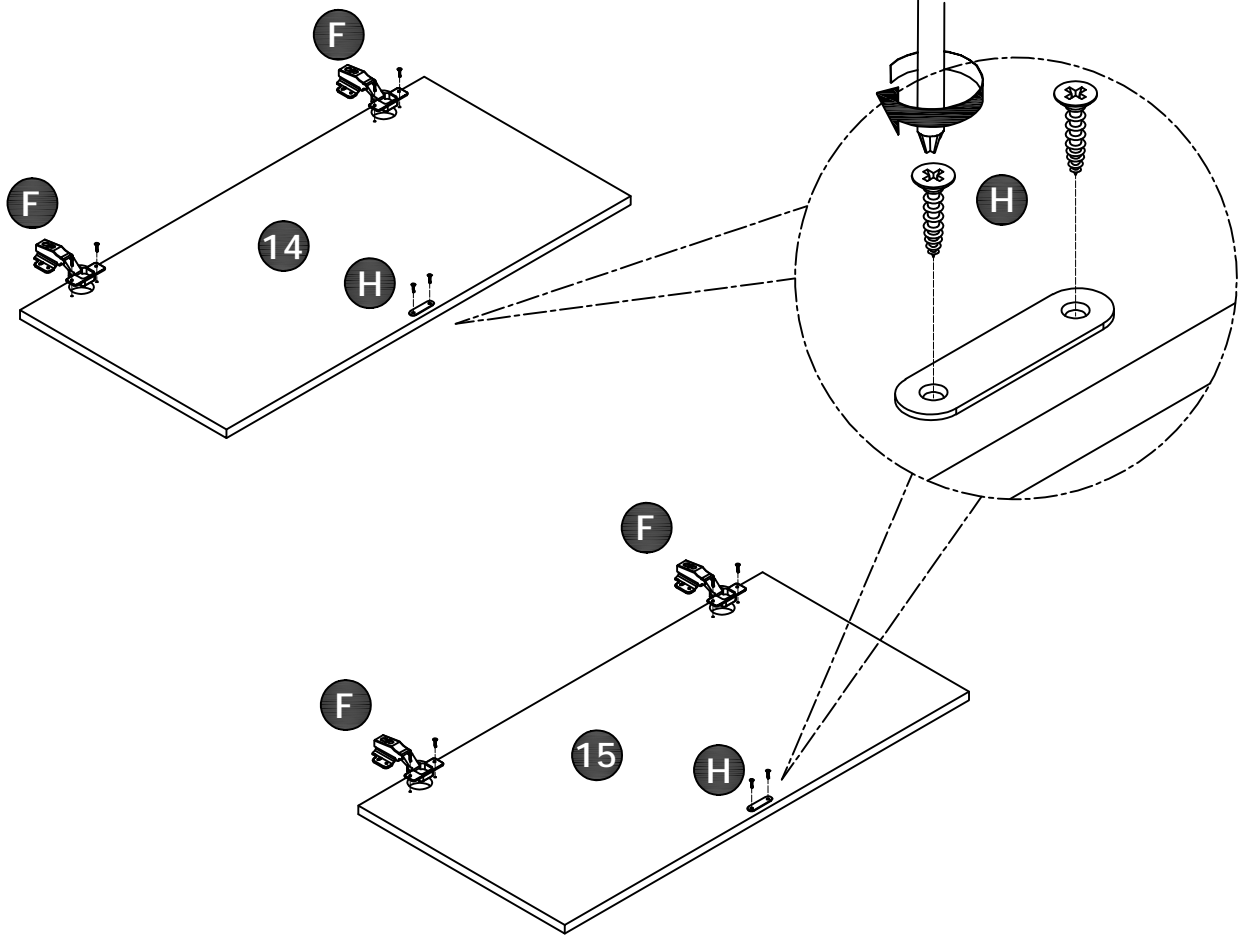
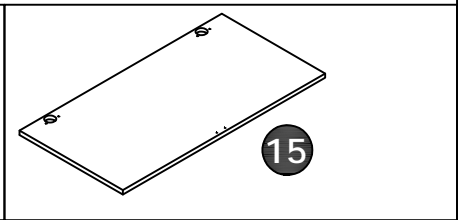
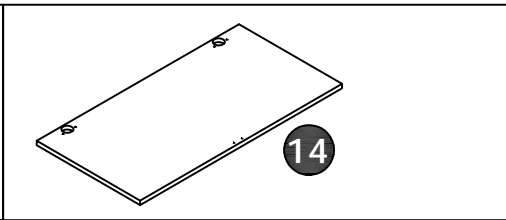
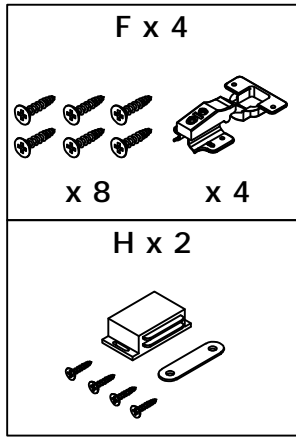
Ø8*30mm



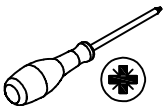
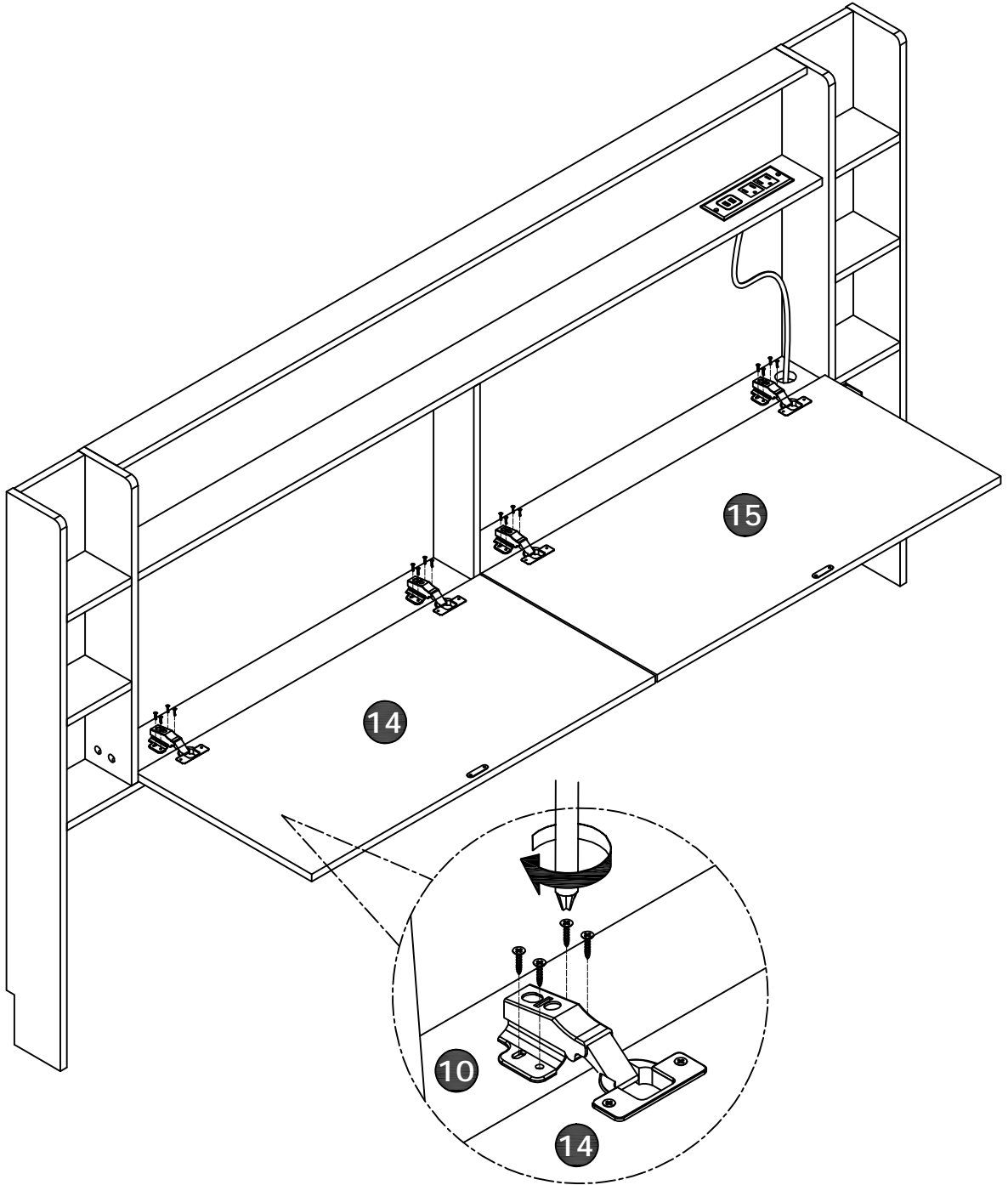
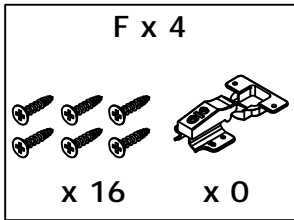
19



20

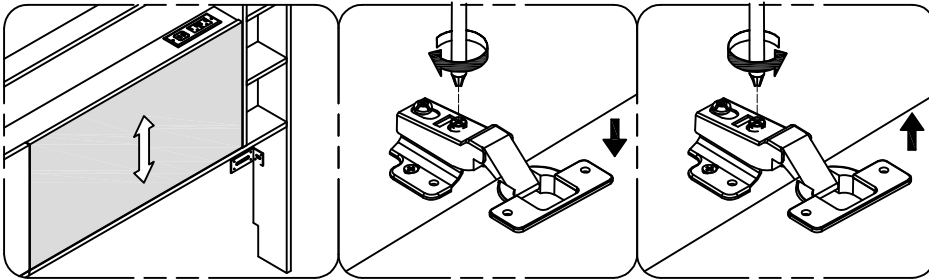


21

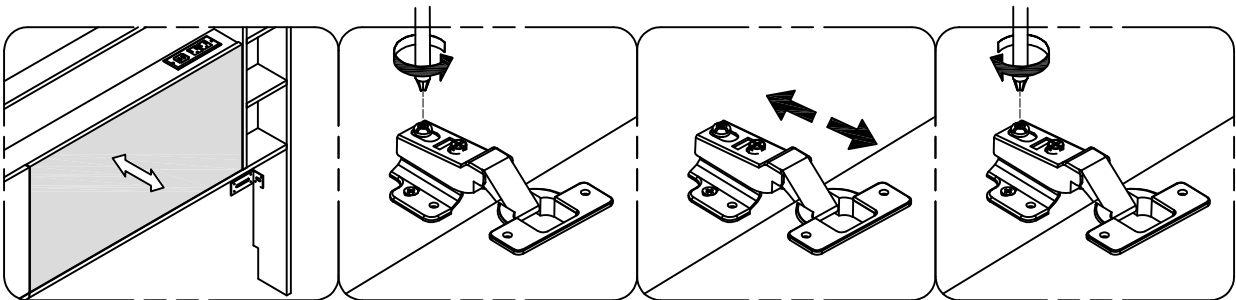


22 Adjust as needed to ensure proper door alignment

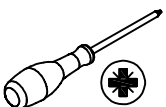
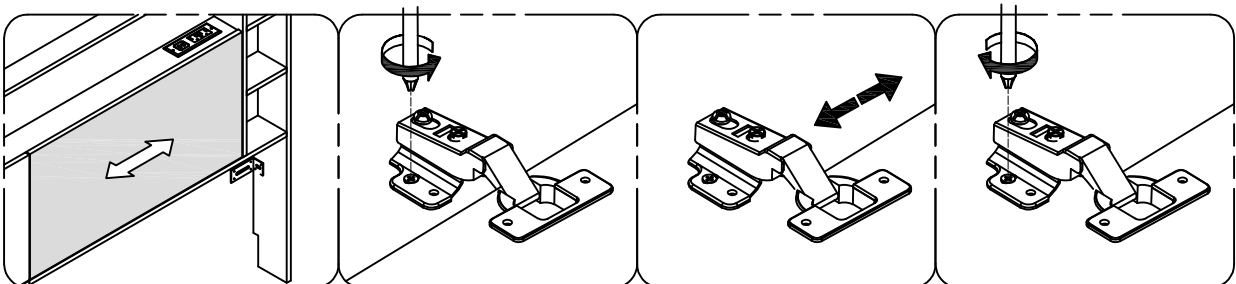
Up & Down Adjustment



Forward & Back Adjustment

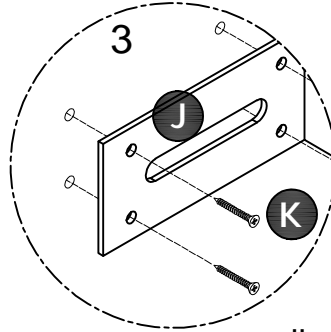
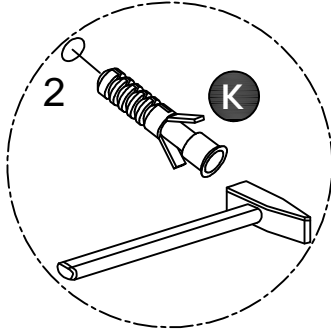
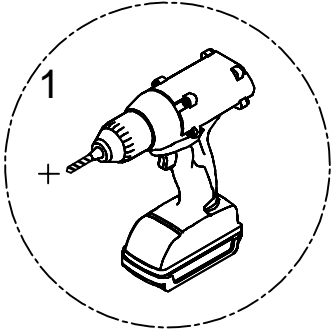


Left & Right Adjustment



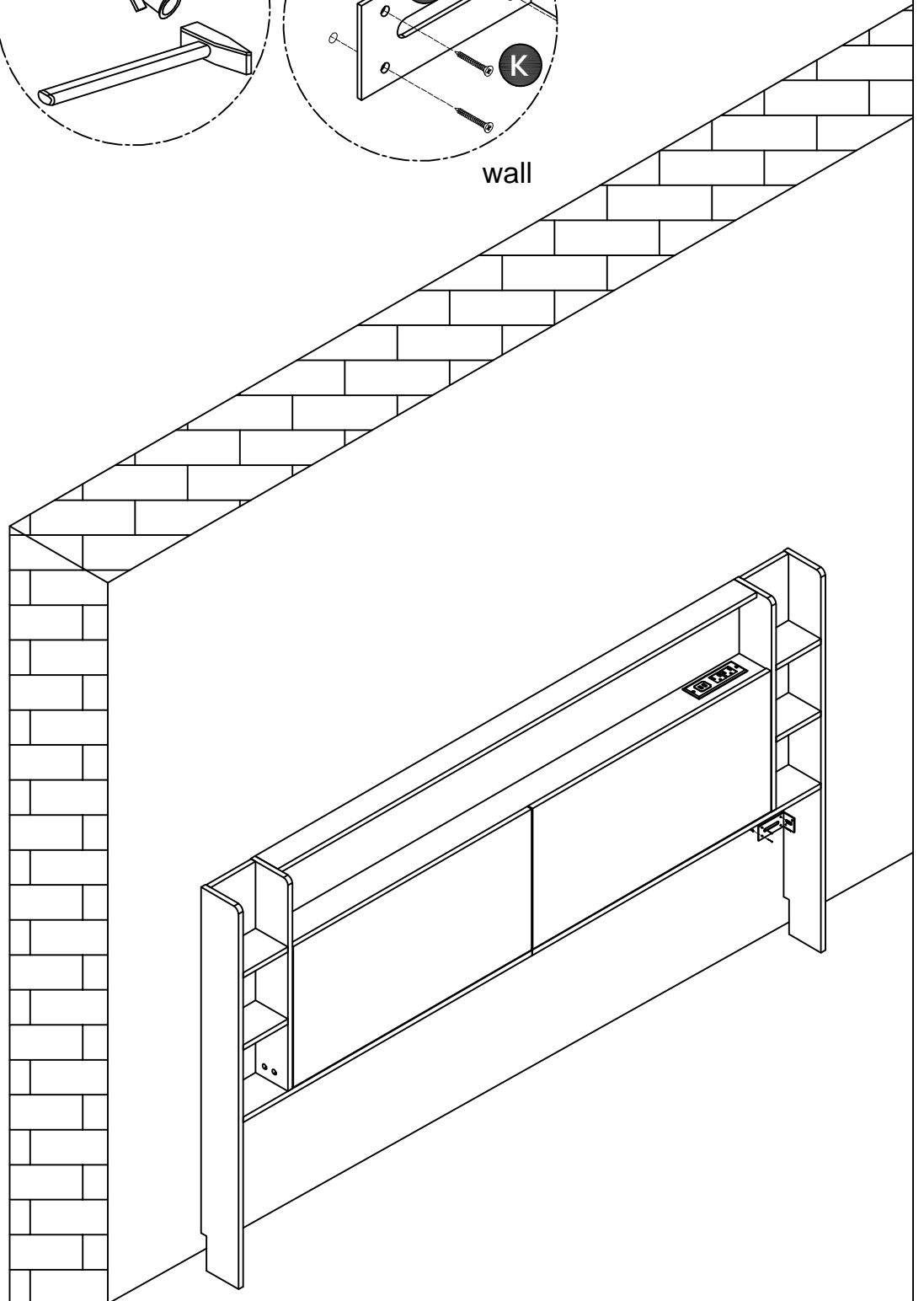
23

K x 3



wall

wall



This authorizes the application of the Certification Mark(s) shown below to the models described in the Product(s) Covered section when made in accordance with the conditions set forth in the Certification Agreement and Listing Report. This authorization also applies to multiple listee model(s) identified on the correlation page of the Listing Report.

This document is the property of Intertek Testing Services and is not transferable. The certification mark(s) may be applied only at the location of the Party Authorized To Apply Mark.

Applicant: Dongguan Baiyou Electronic Co Ltd

Manufacturer: Dongguan baiyou electronic co.,Ltd

Address: 2 F A building wufeng industrial jintan
road shijie town dongguan city
guangdong 523295

Address: 2 F A building wufeng industrial jintan
road shijie town Dongguan city
Guangdong 523295

Country: CHINA

Country: CHINA

Party Authorized To Apply Mark: Same as Manufacturer
Report Issuing Office: Intertek Testing Services Shenzhen Limited Guangzhou Branch

Control Number: 5011080 **Authorized by:** Matthew Snyder
for L. Matthew Snyder, Certification Manager



This document supersedes all previous Authorizations to Mark for the noted Report Number.

This Authorization to Mark is for the exclusive use of Intertek's Client and is provided pursuant to the Certification agreement between Intertek and its Client. Intertek's responsibility and liability are limited to the terms and conditions of the agreement. Intertek assumes no liability to any party, other than to the Client in accordance with the agreement, for any loss, expense or damage occasioned by the use of this Authorization to Mark. Only the Client is authorized to permit copying or distribution of this Authorization to Mark and then only in its entirety. Use of Intertek's Certification mark is restricted to the conditions laid out in the agreement and in this Authorization to Mark. Any further use of the Intertek name for the sale or advertisement of the tested material, product or service must first be approved in writing by Intertek. Initial Factory Assessments and Follow up Services are for the purpose of assuring appropriate usage of the Certification mark in accordance with the agreement, they are not for the purposes of production quality control and do not relieve the Client of their obligations in this respect.

Intertek Testing Services NA Inc.
545 East Algonquin Road, Arlington Heights, IL 60005
Telephone 800-345-3851 or 847-439-5667 Fax 312-283-1672

Standard(s):	Furniture Power Distribution Units [UL 962A:2023 Ed.6] Cord Reels and Multi-outlet Assemblies [CSA C22.2#308:2018 Ed.2]
Product:	Furniture Power Distribution Units
Brand Name:	BAYU
Models:	BY213- followed by H, M, Q, N, L, C, J, S or I; followed by 01, 02, 03, 04 or 05; maybe followed by 1, 2 or 3; maybe followed by K; maybe followed by -C. BY213- followed by H, M, Q, N, L, C, J, S or I; followed by 01 or 02; maybe followed by 1, 2 or 3; maybe followed by -C; followed by -Y. BY213- followed by H, M, Q, N, L, C, J, S or I; followed by 01, 02, 03, 04 or 05; maybe followed by 1, 2 or 3; followed by K; maybe followed by -C; followed by -Y.