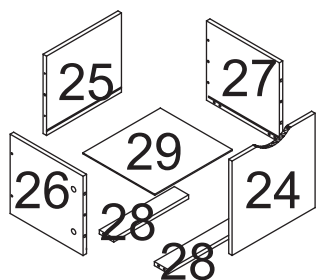
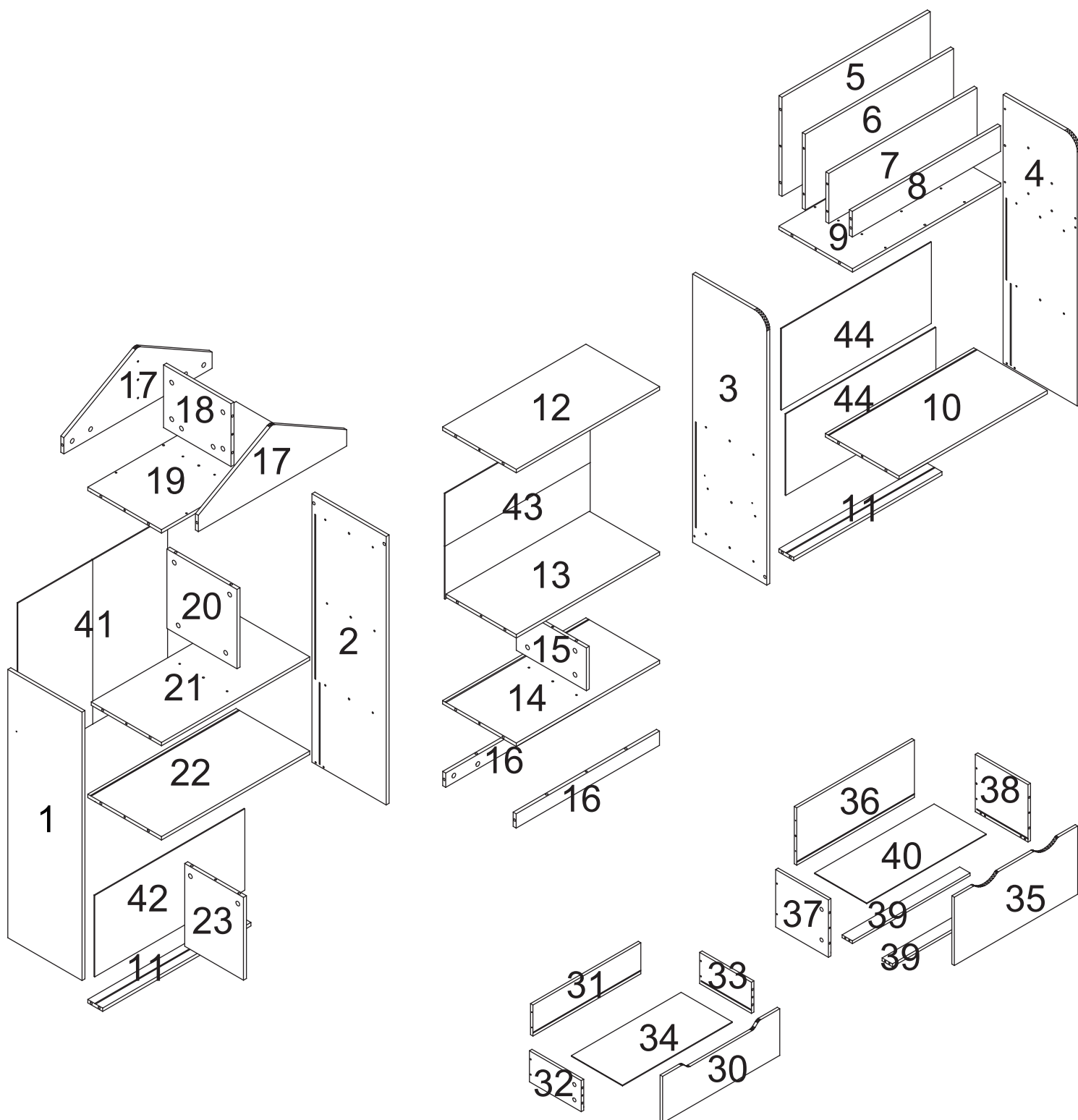
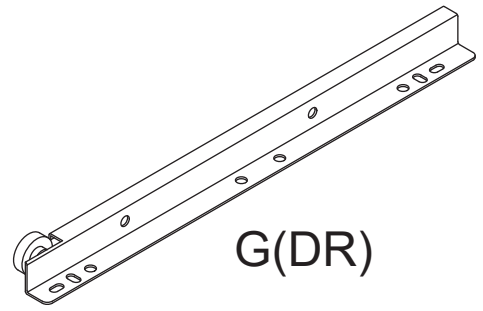
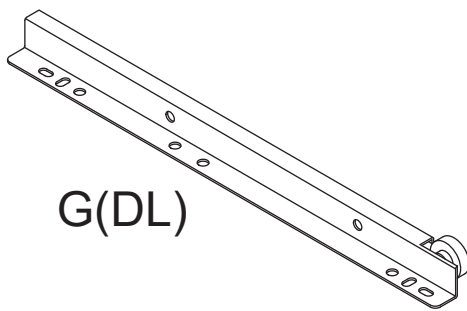
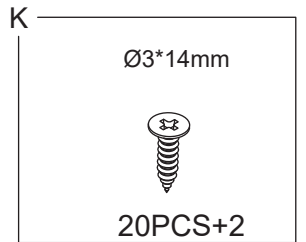
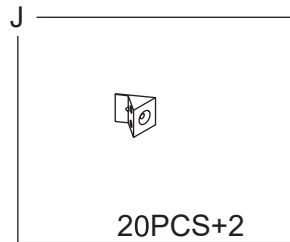
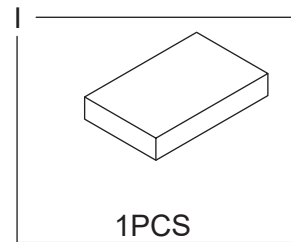
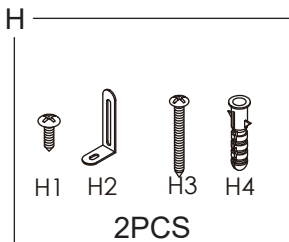
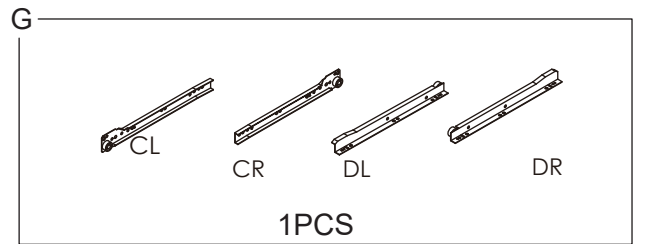
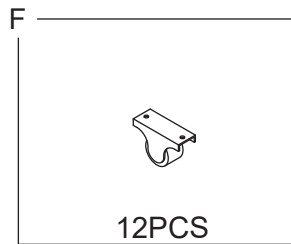
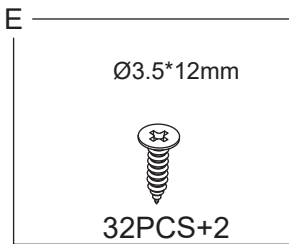
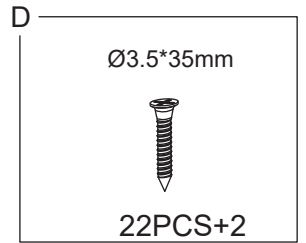
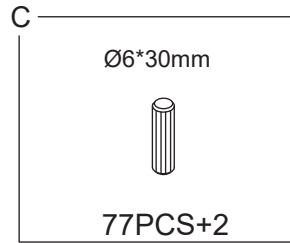
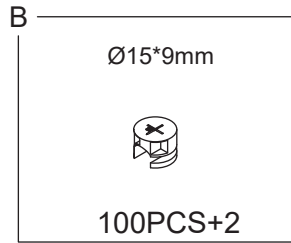
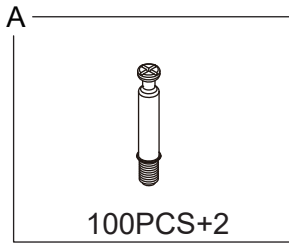


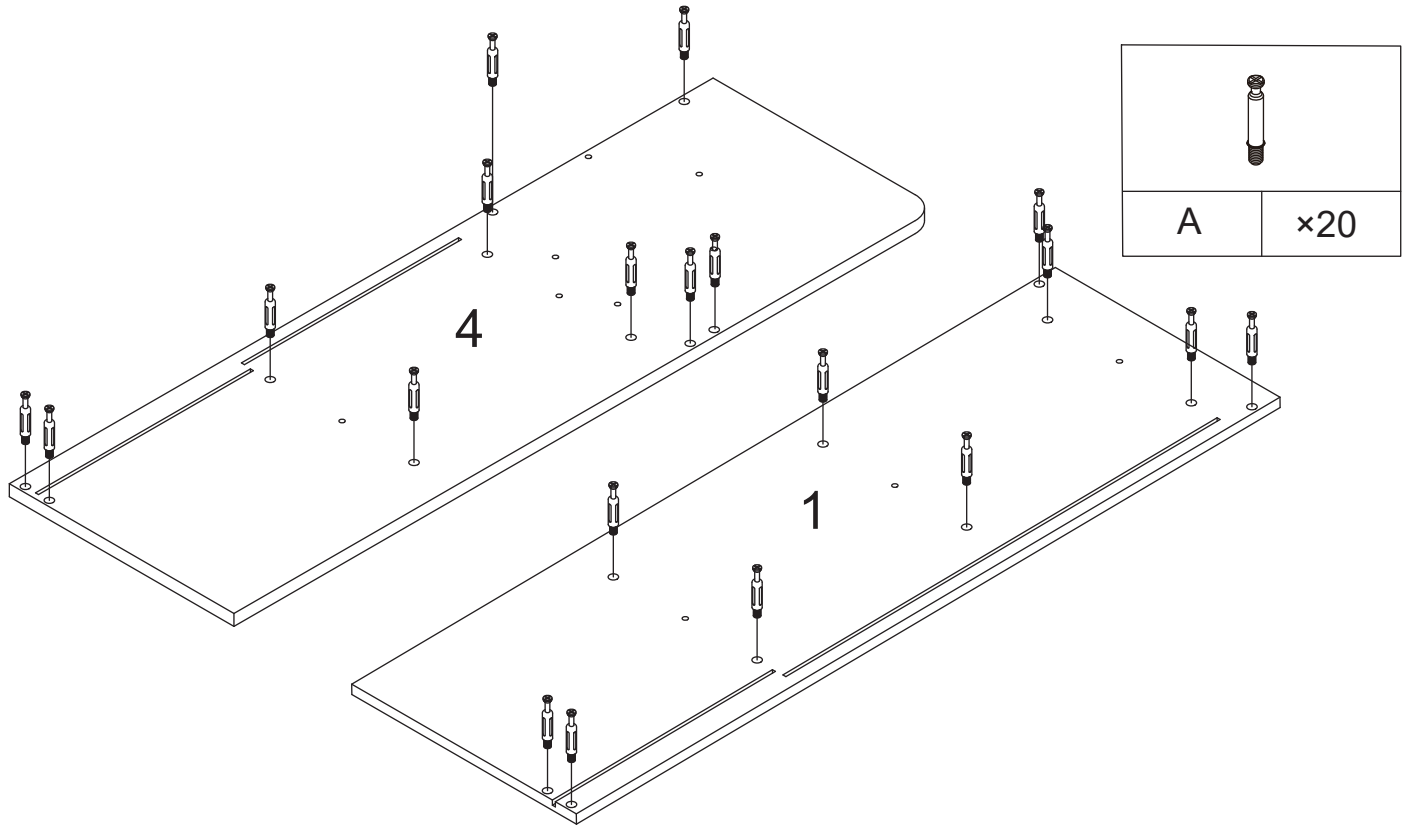
EXPLODED DRAWING:



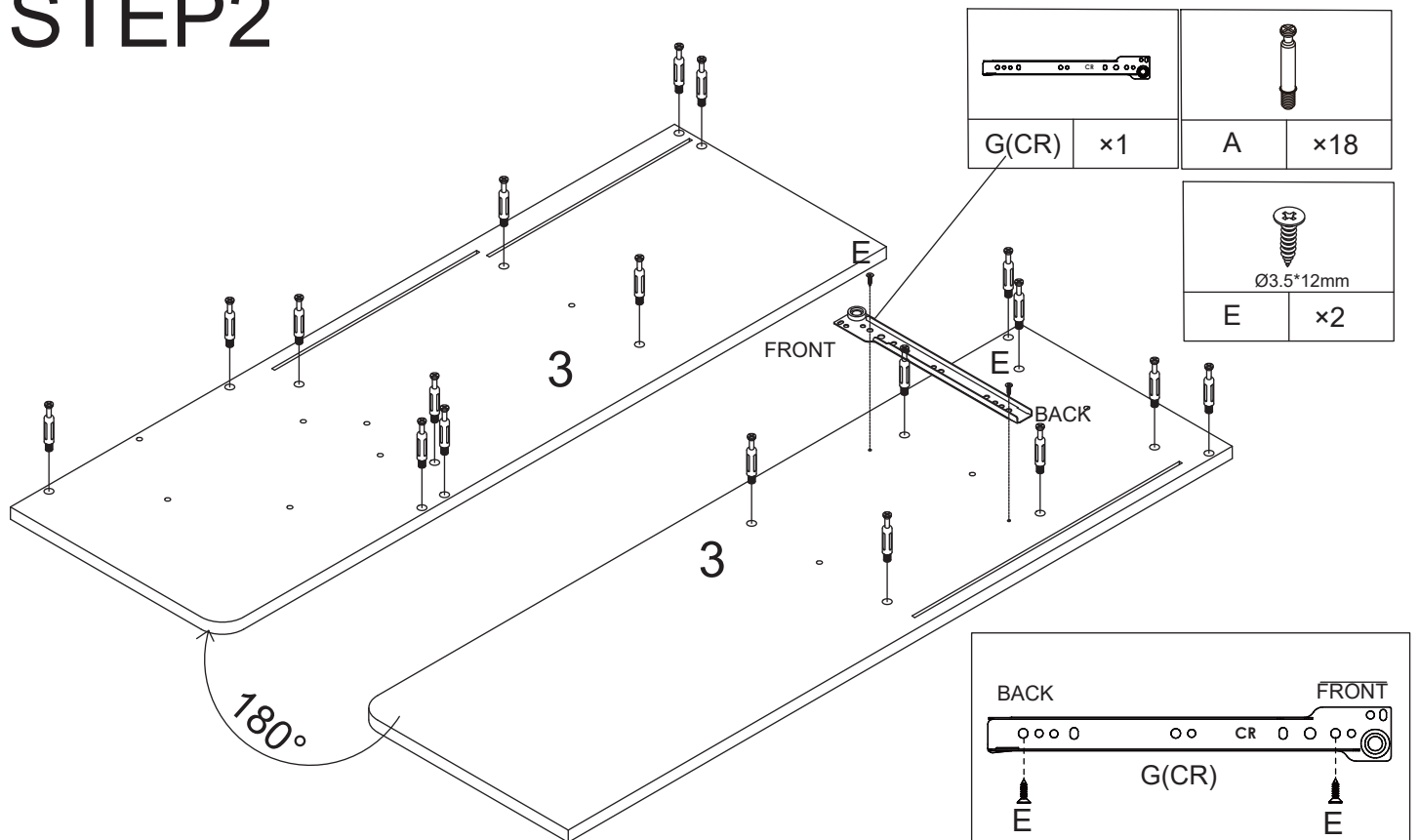
x2



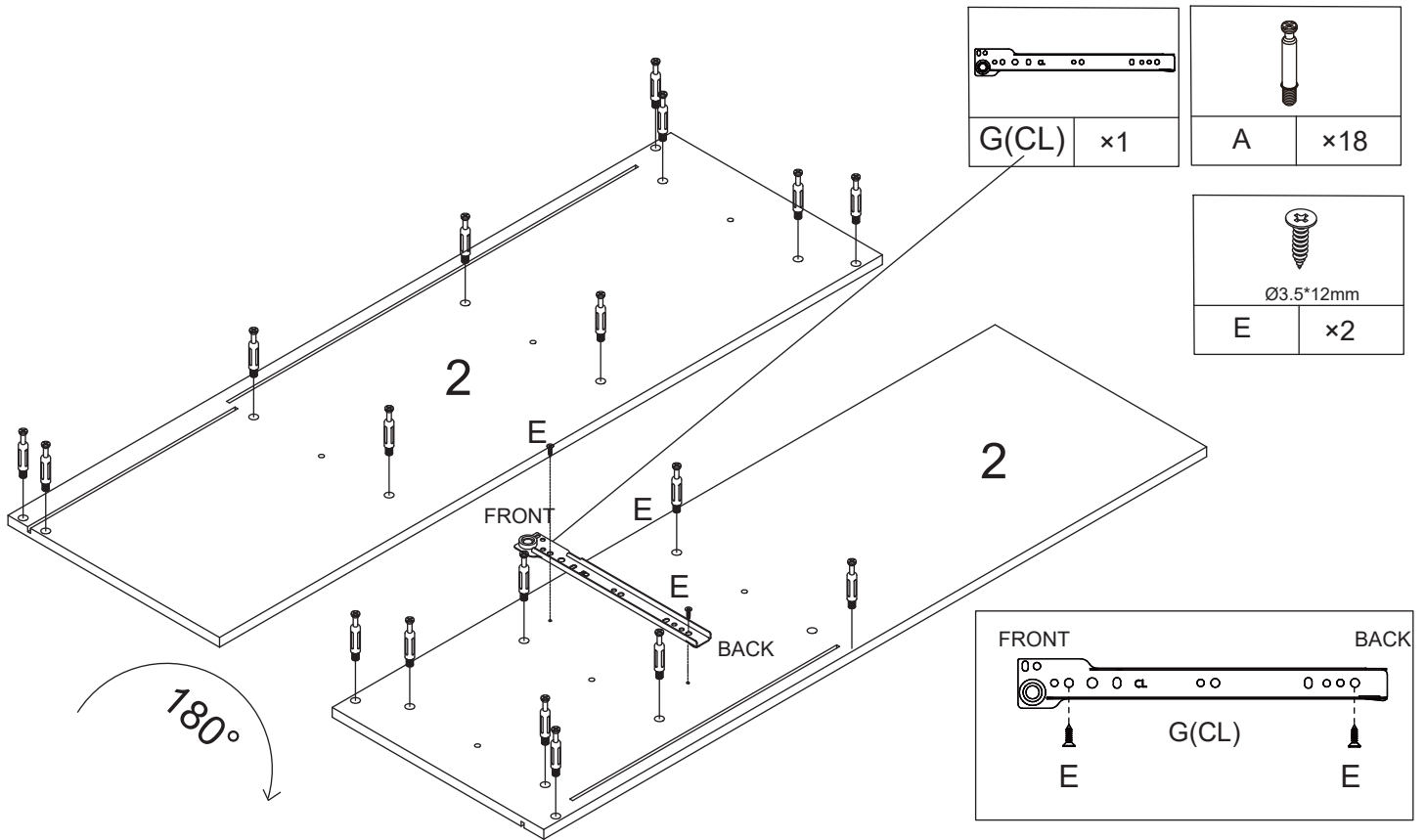
STEP 1



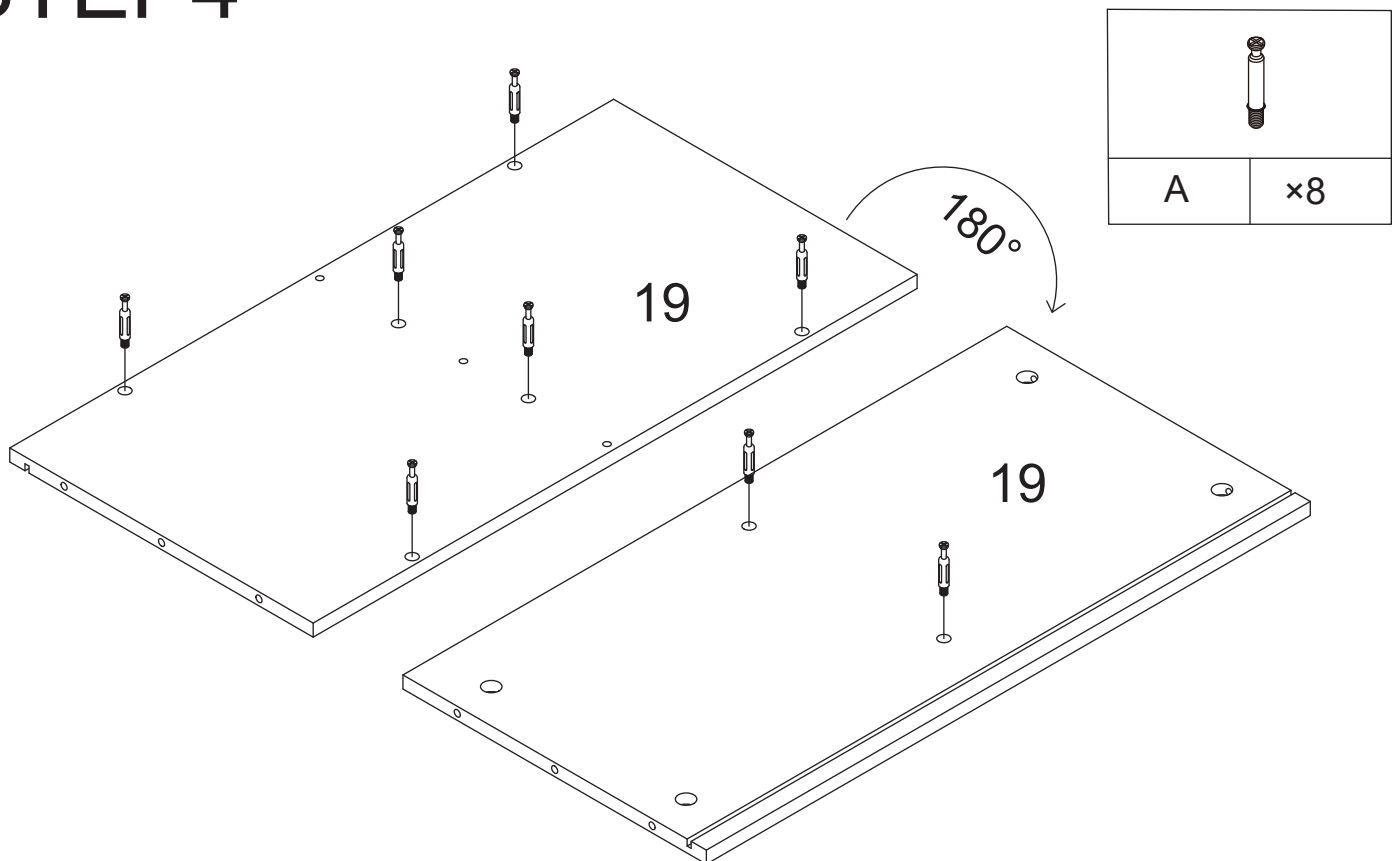
STEP 2



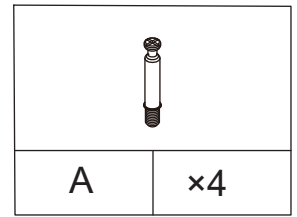
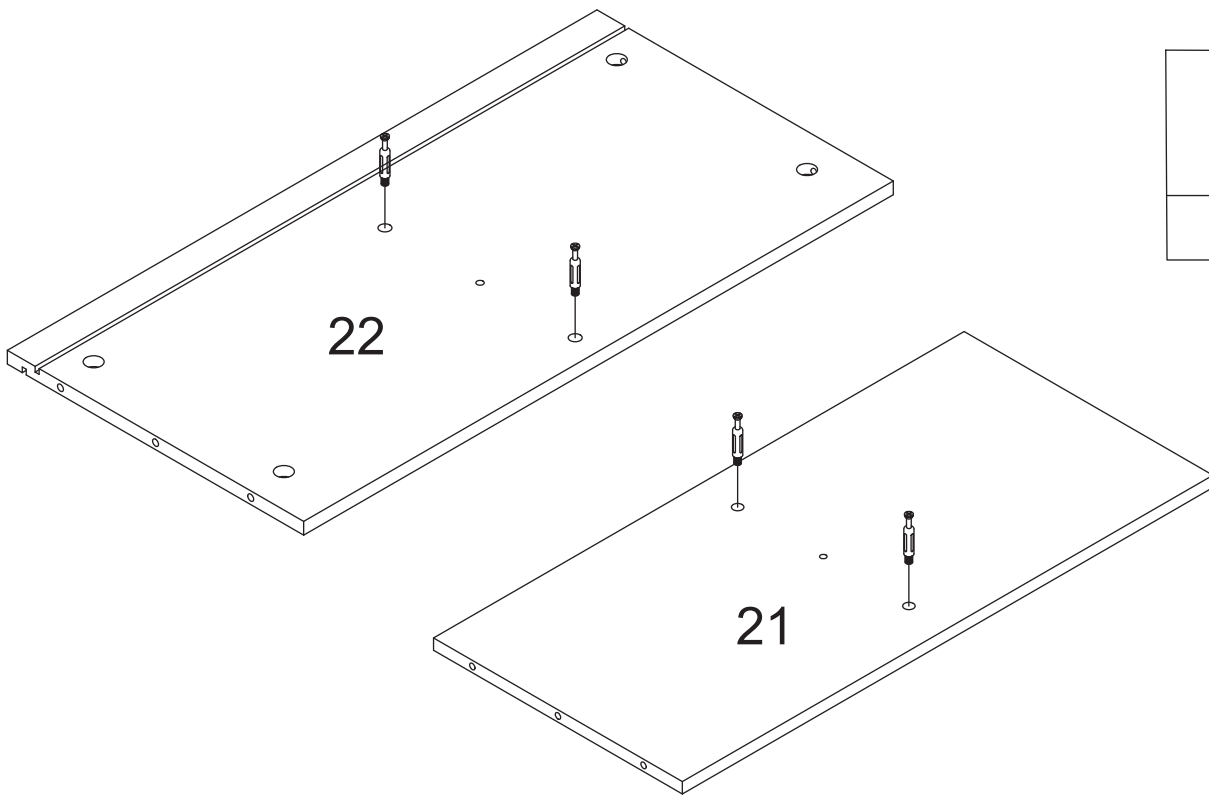
STEP3



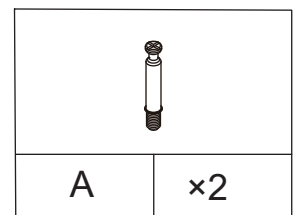
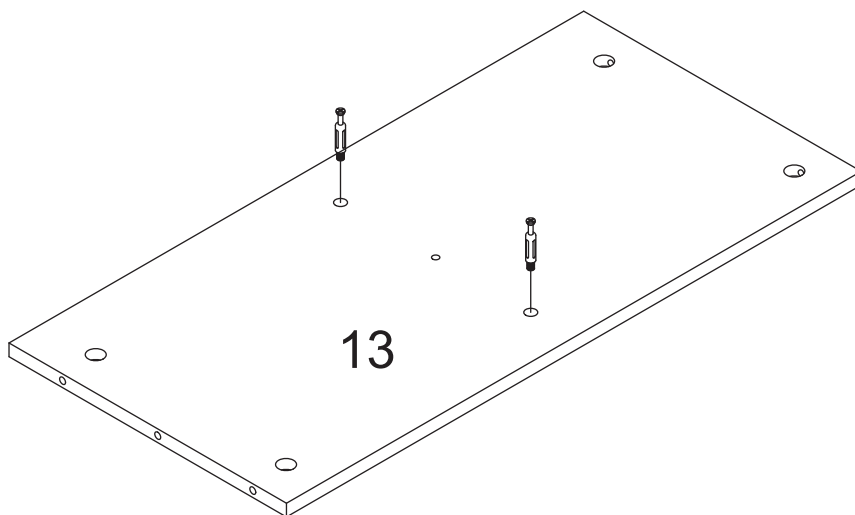
STEP4



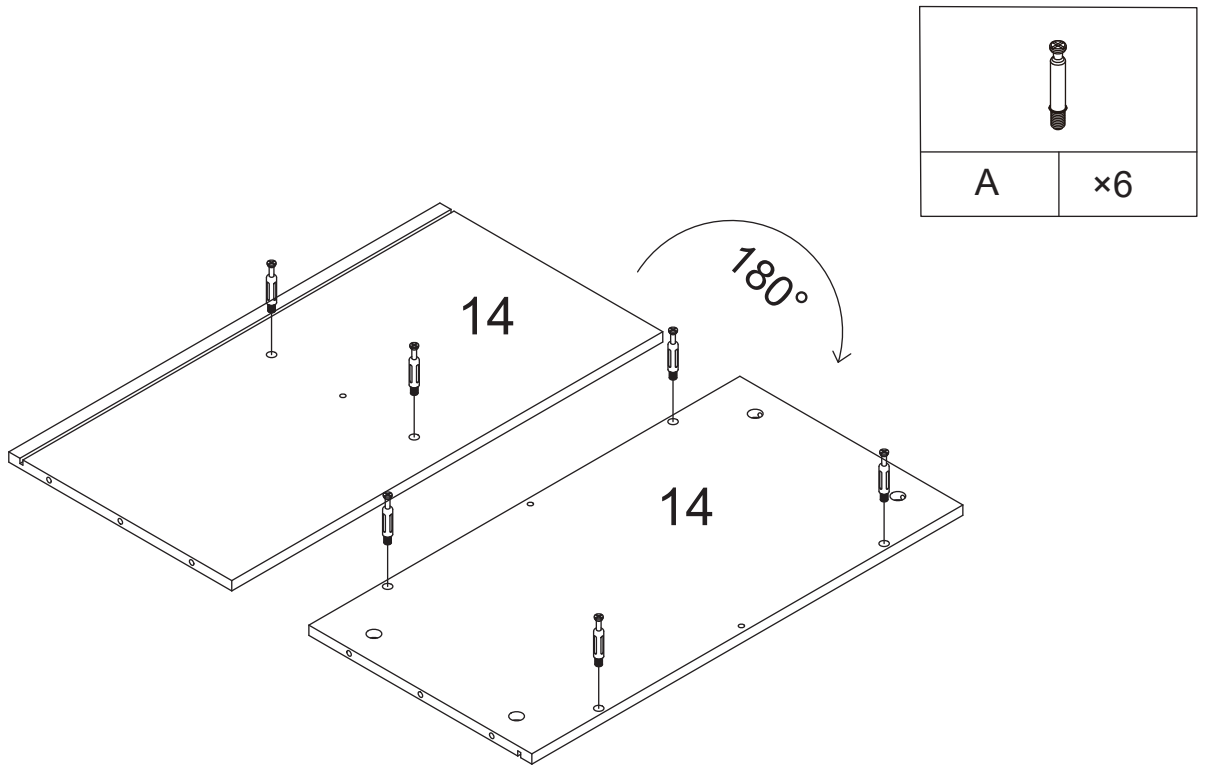
STEP5



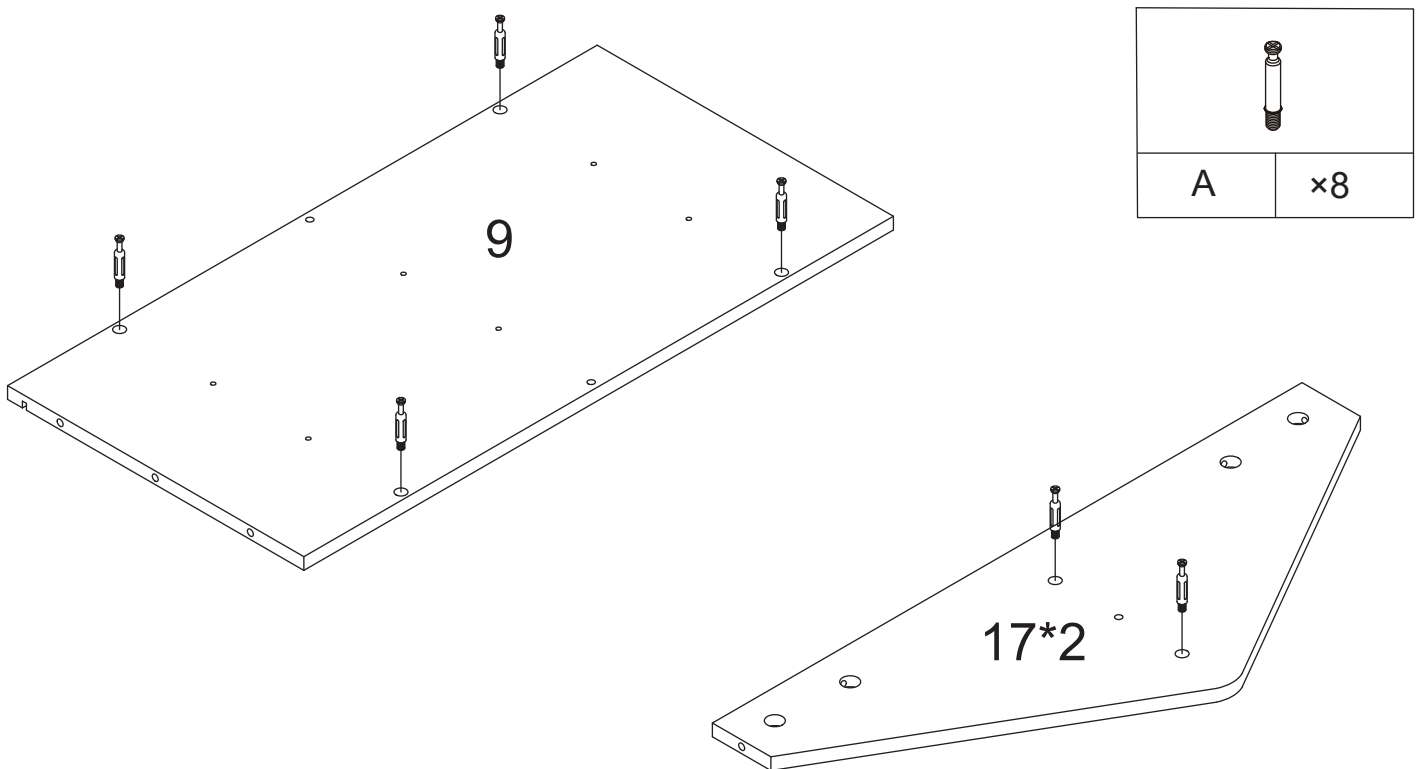
STEP6



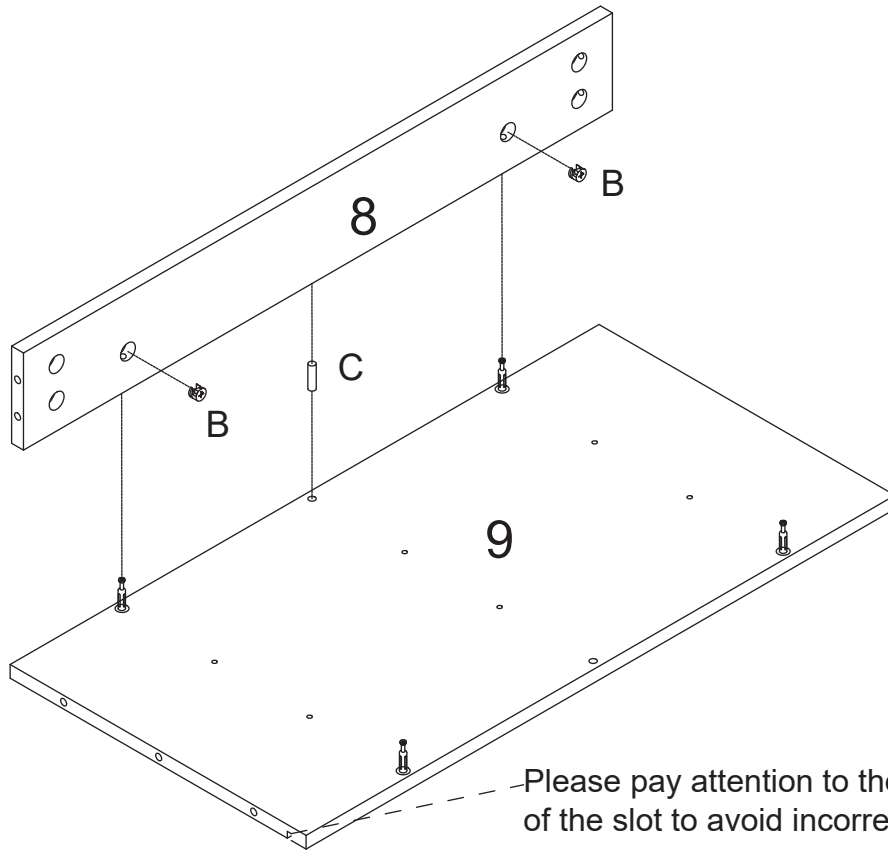
STEP 7





STEP 8



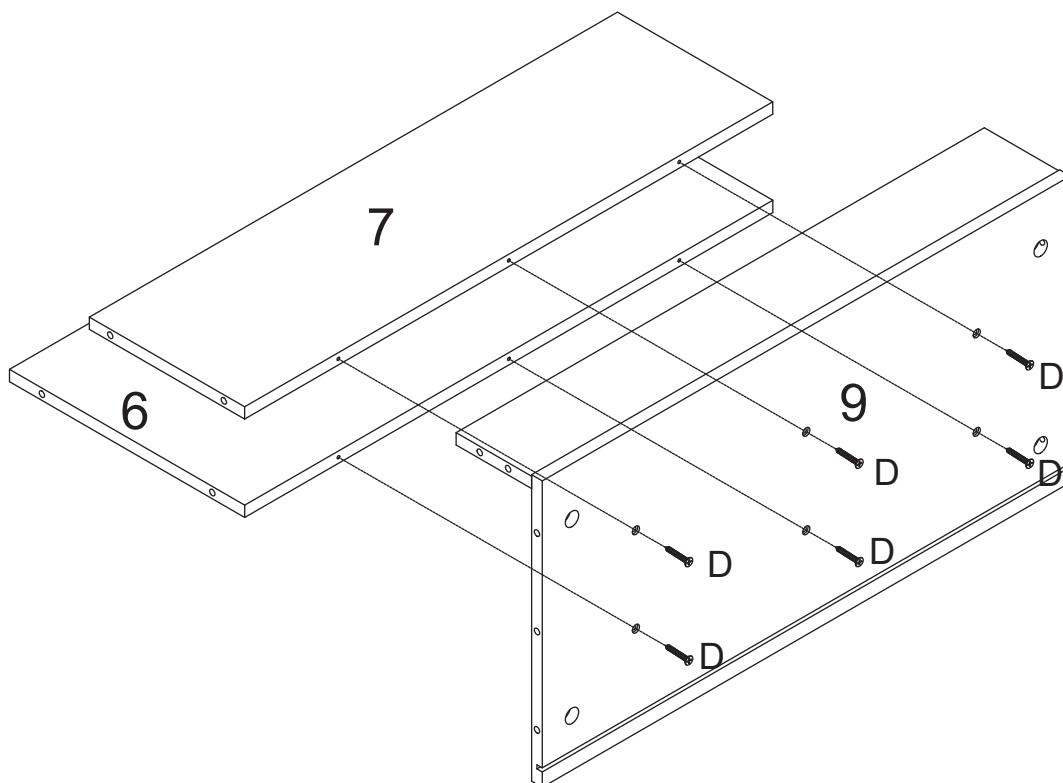
STEP 9




	
Ø15*9mm	
B	×2

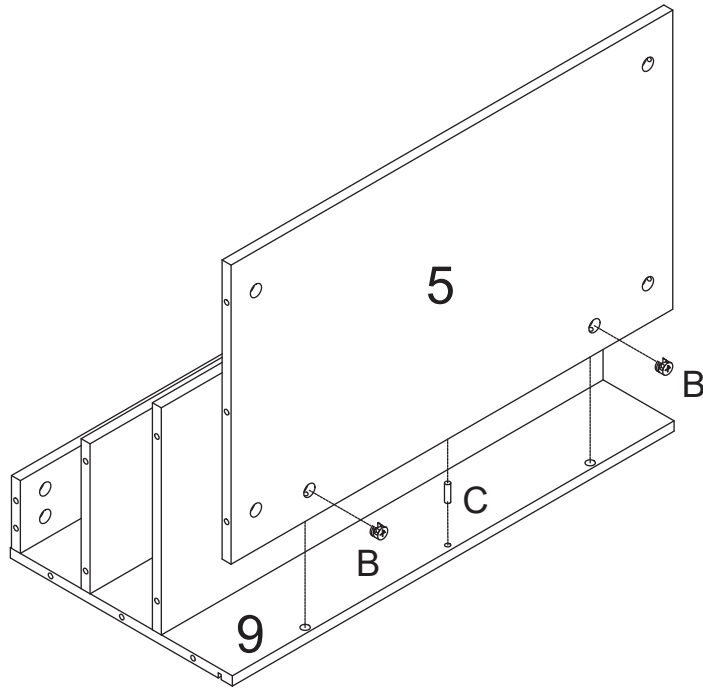
	
Ø6*30mm	
C	×1


STEP 10




	
Ø3.5*35mm	
D	×6

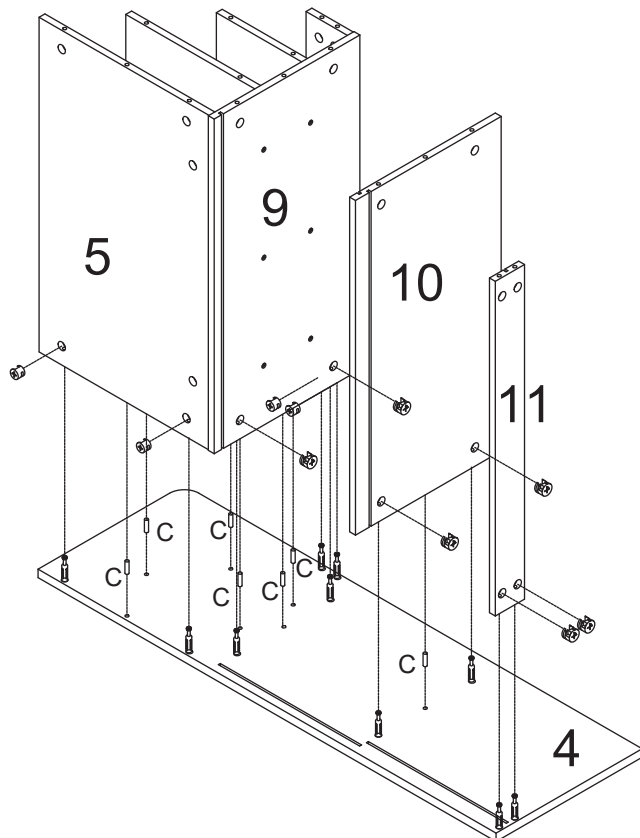
STEP11




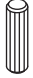
	
Ø15*9mm	
B	×2

	
Ø6*30mm	
C	×1

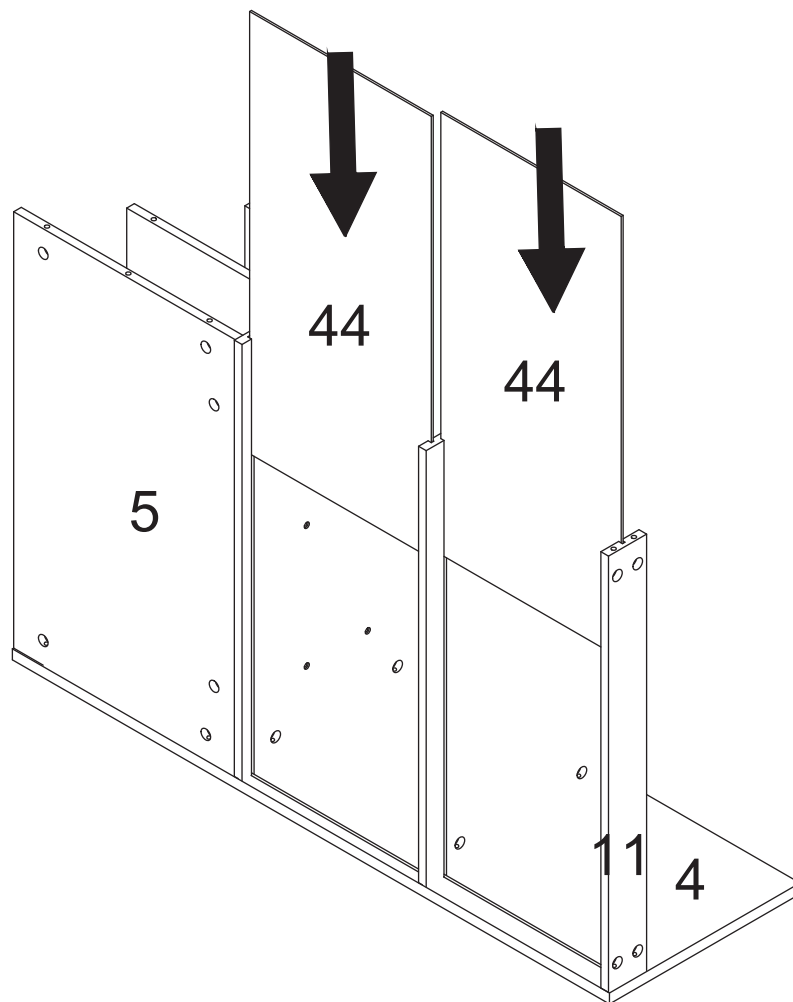
STEP12



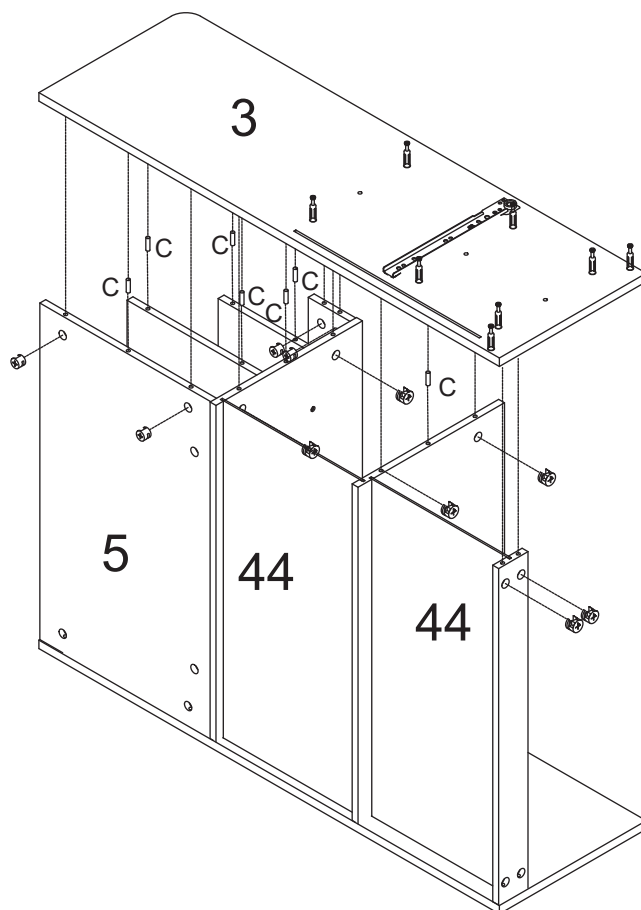
	
Ø15*9mm	
B	×10


	
Ø6*30mm	
C	×7


STEP13



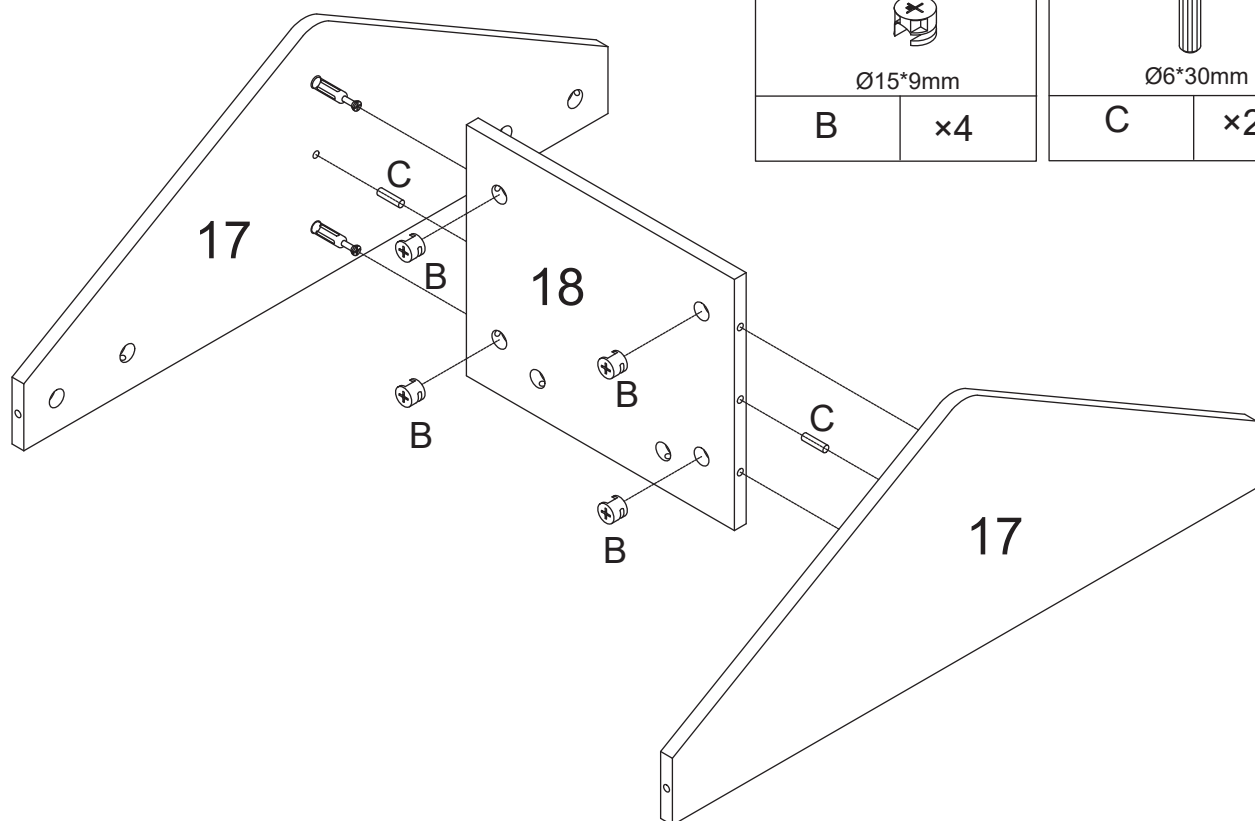
STEP14





	
Ø15*9mm	
B	×10

	
Ø6*30mm	
C	×7

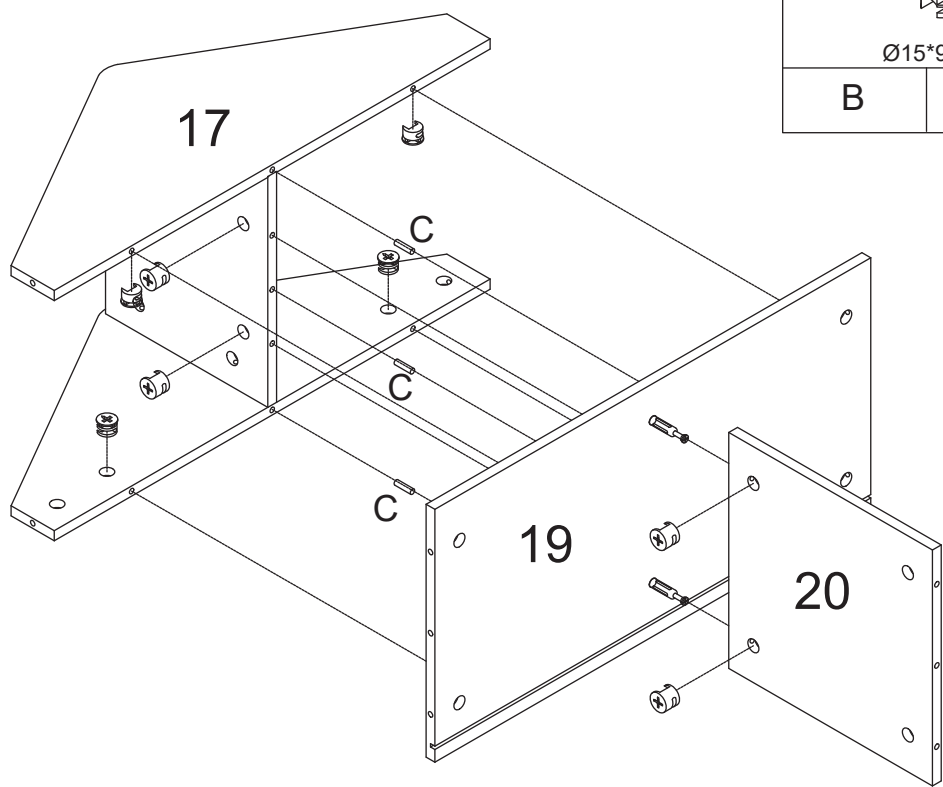
STEP15





	
Ø15*9mm	
B	x4

	
Ø6*30mm	
C	x2

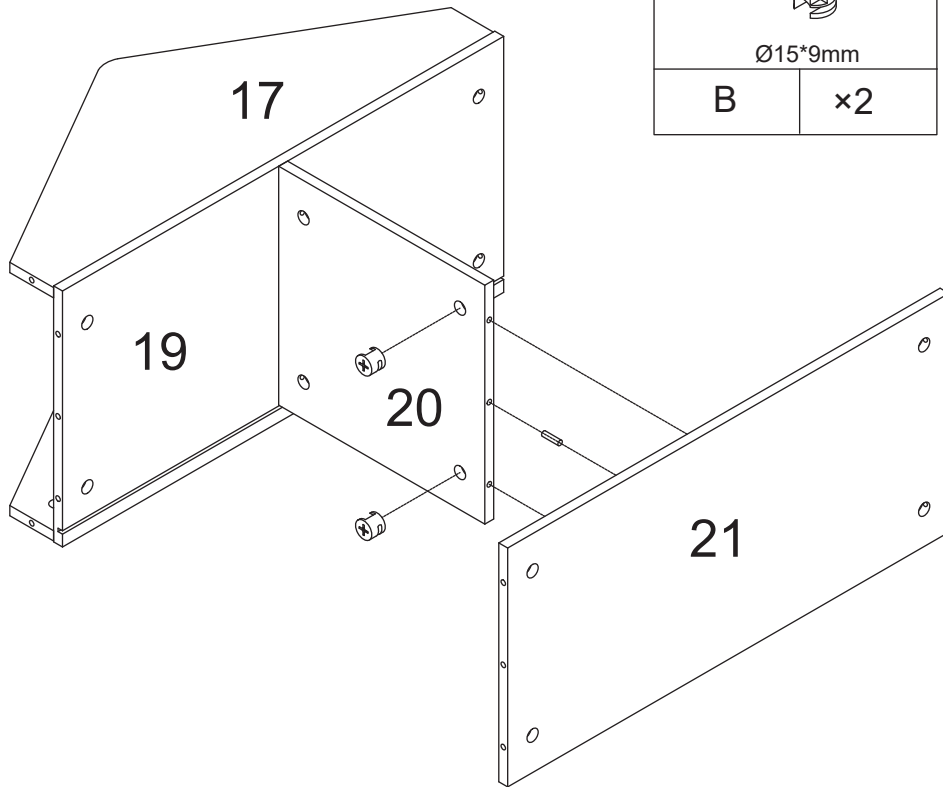
STEP16




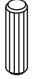
	
Ø15*9mm	
B	x8

	
Ø6*30mm	
C	x3

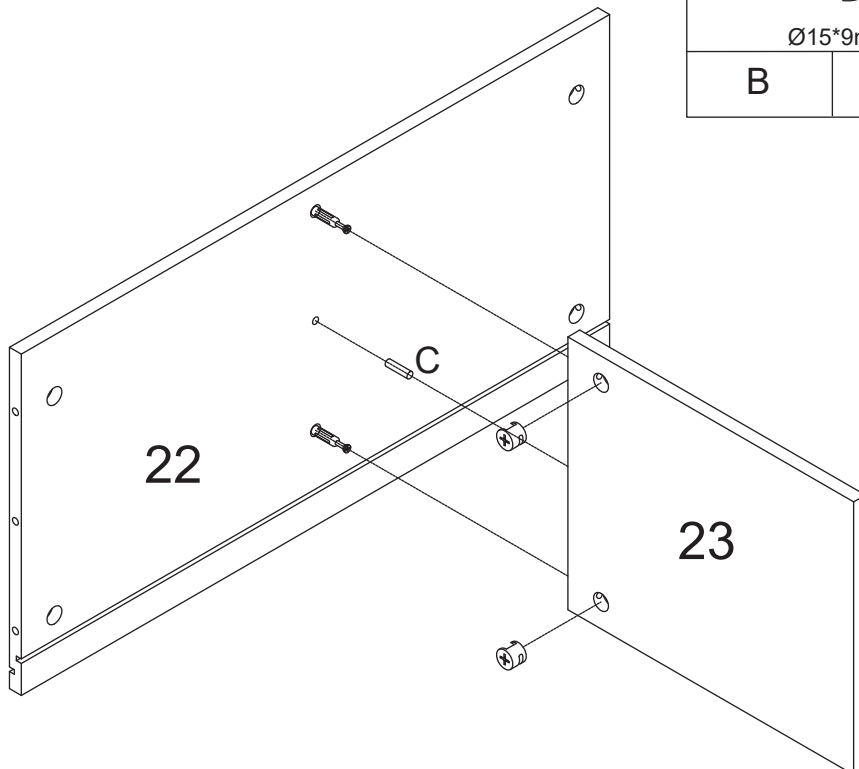
STEP17




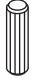
	
Ø15*9mm	
B	x2

	
Ø6*30mm	
C	x1



STEP18

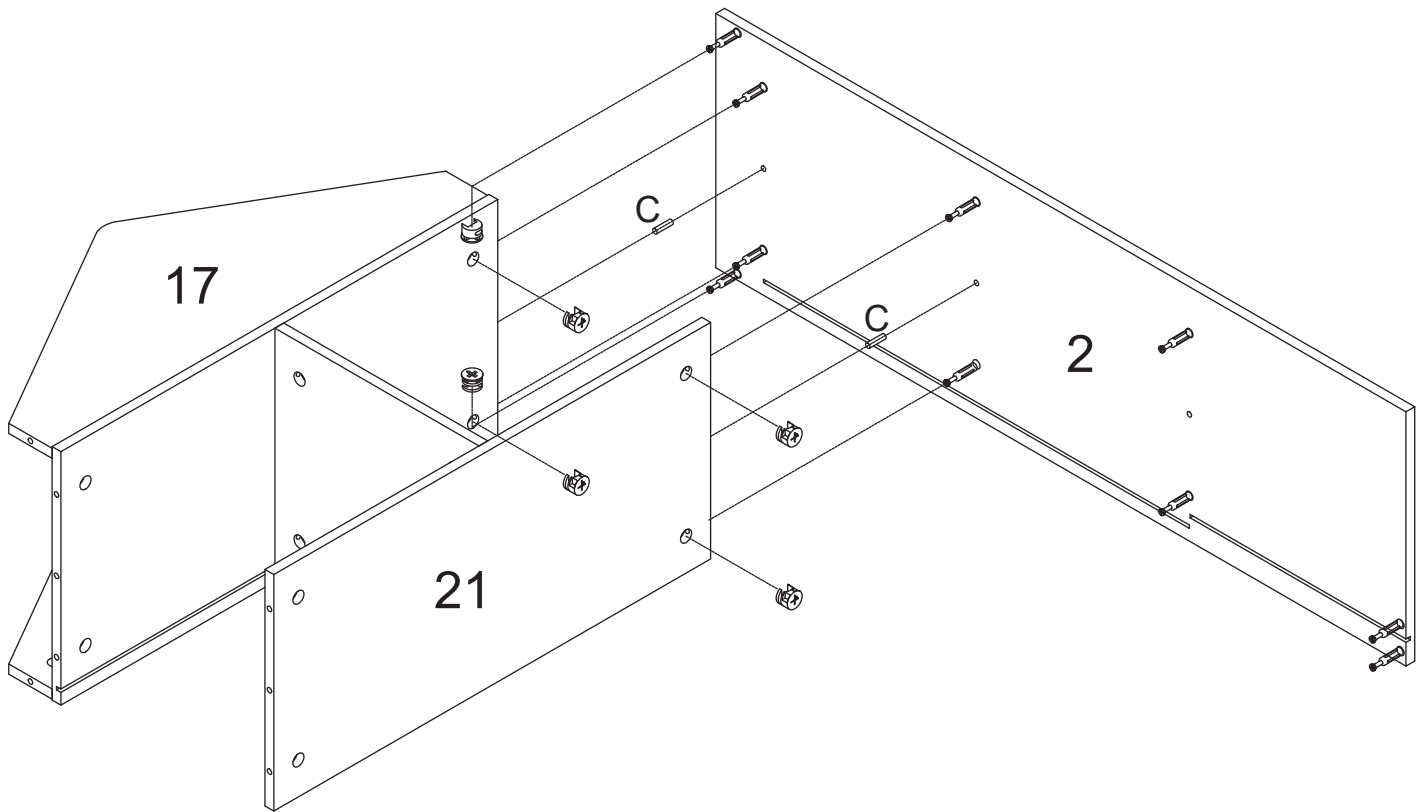


	
Ø15*9mm	
B	x2



	
Ø6*30mm	
C	x1

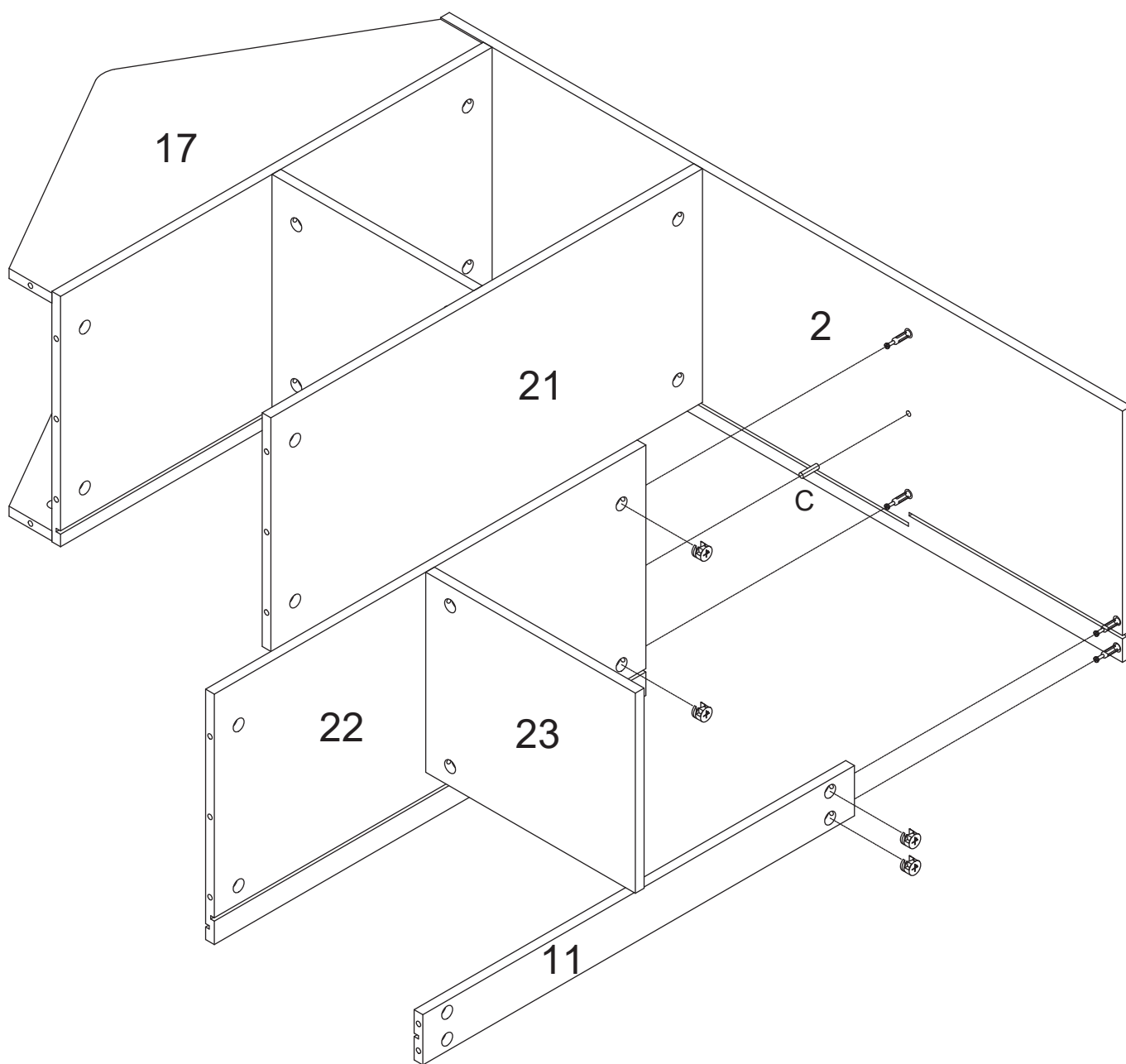
STEP 19

			
Ø15*9mm		Ø6*30mm	
B	×6	C	×2

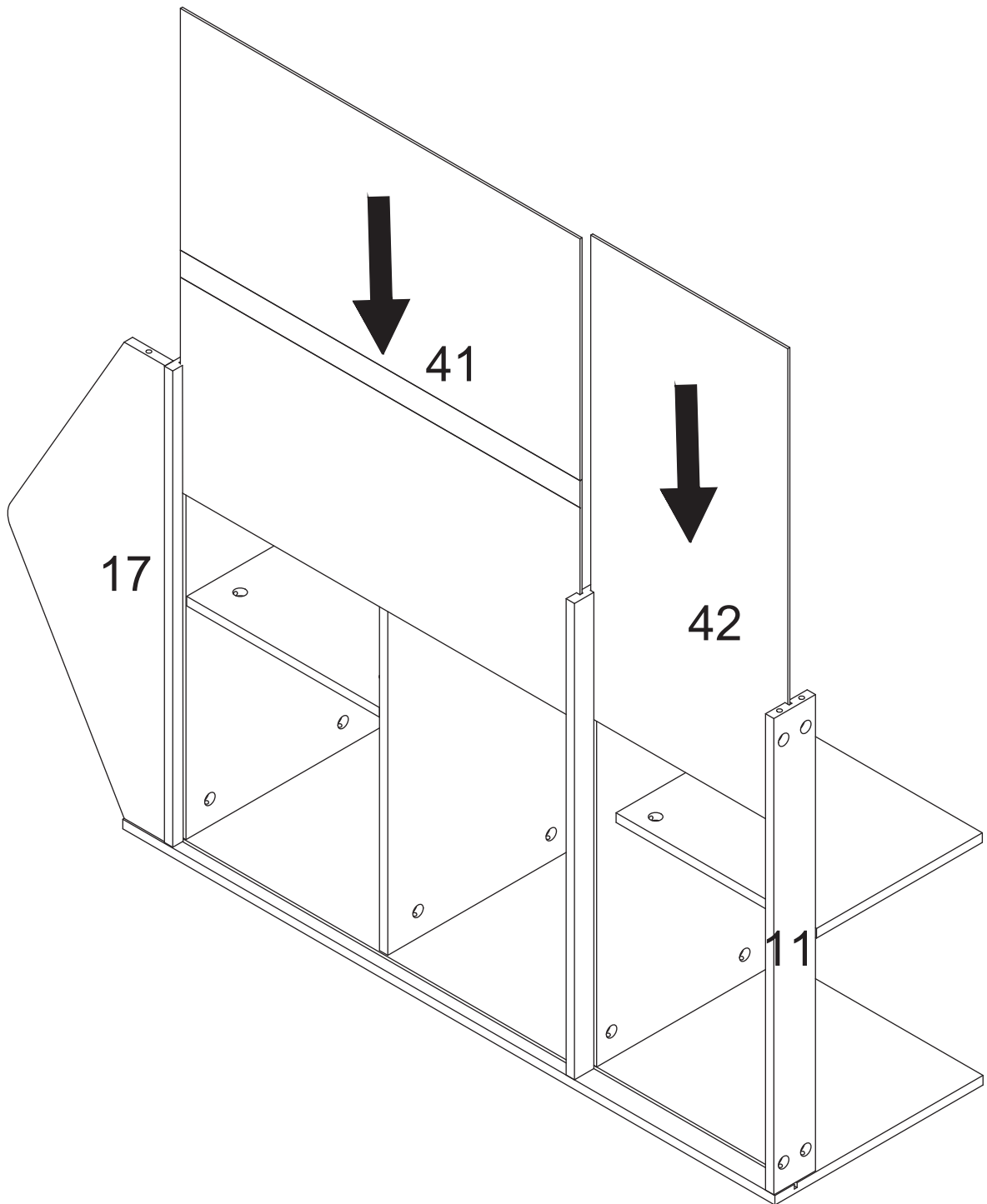


STEP20


			
Ø15*9mm		Ø6*30mm	
B	x4	C	x1




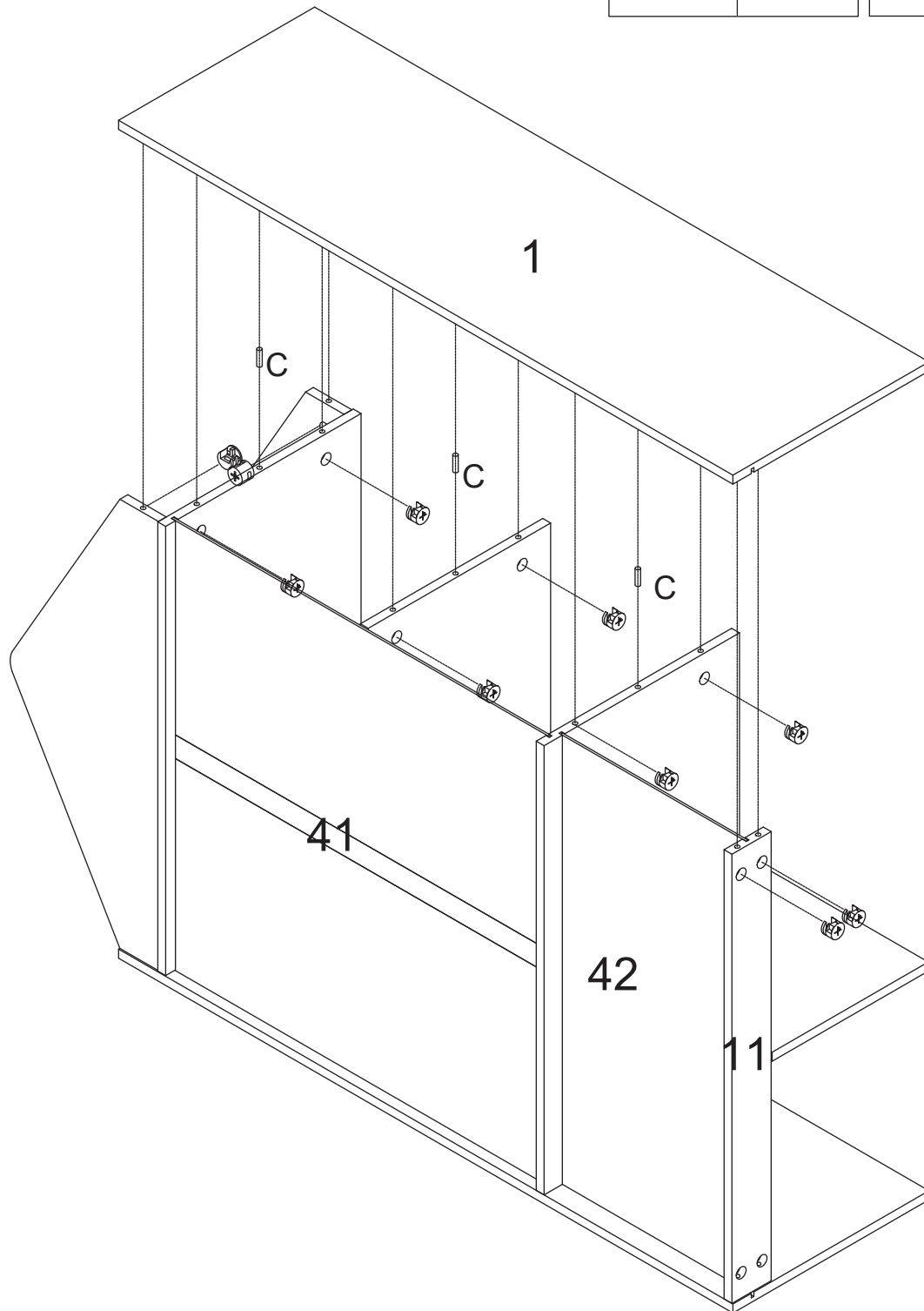
STEP 21





STEP22

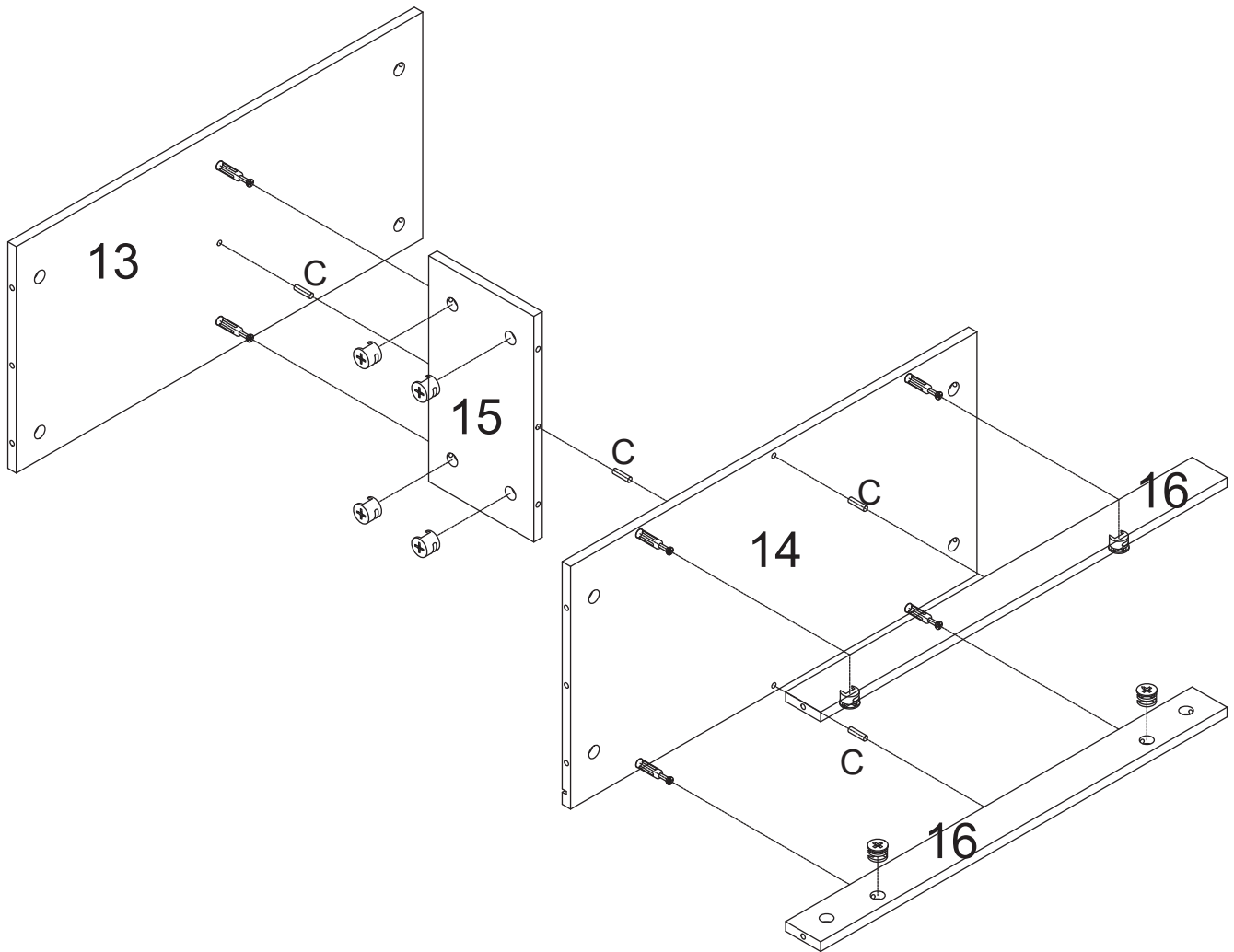
	
Ø15*9mm	
B	x10

	
Ø6*30mm	
C	x3





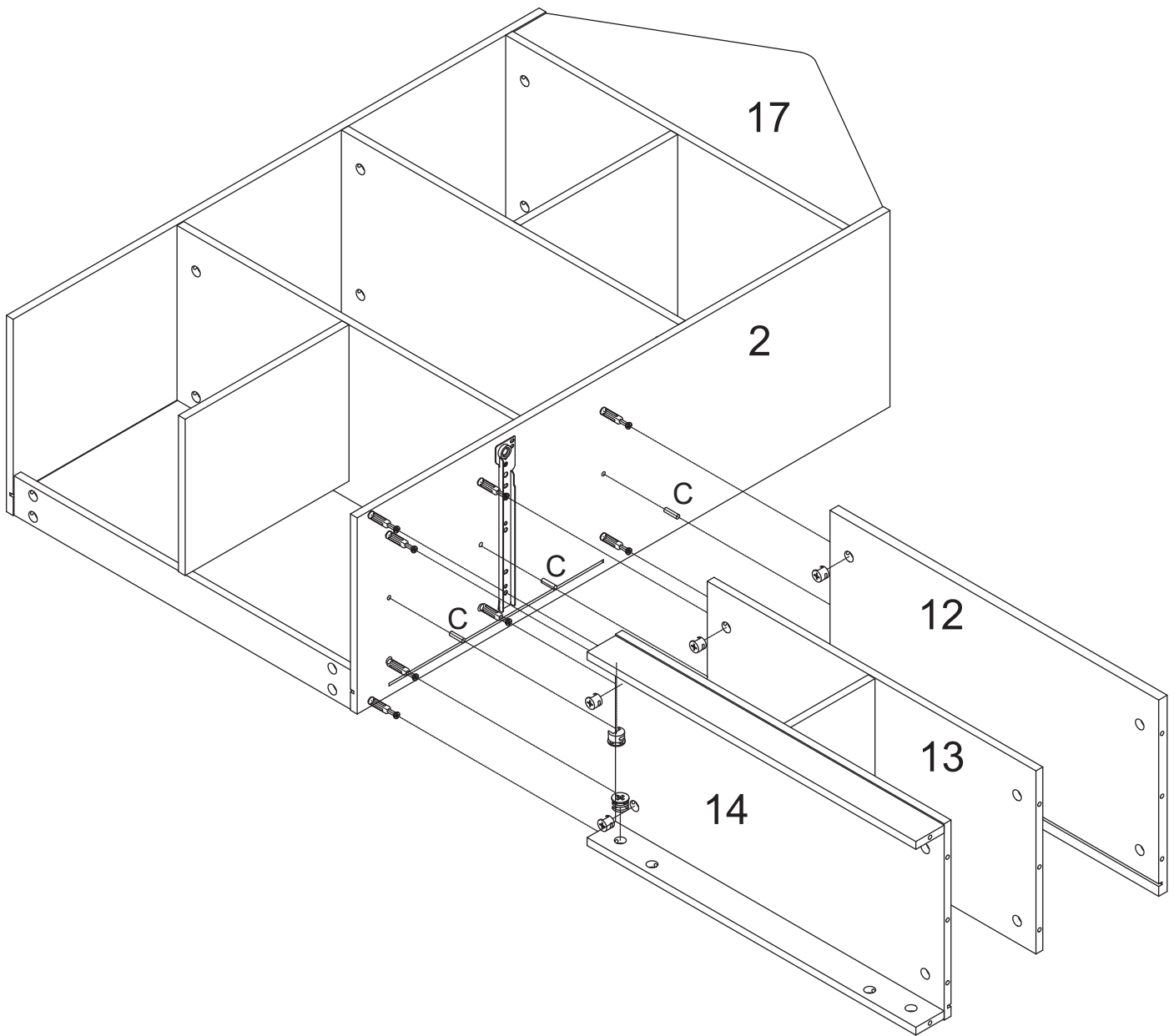
STEP23

			
Ø15*9mm		Ø6*30mm	
B	x8	C	x4

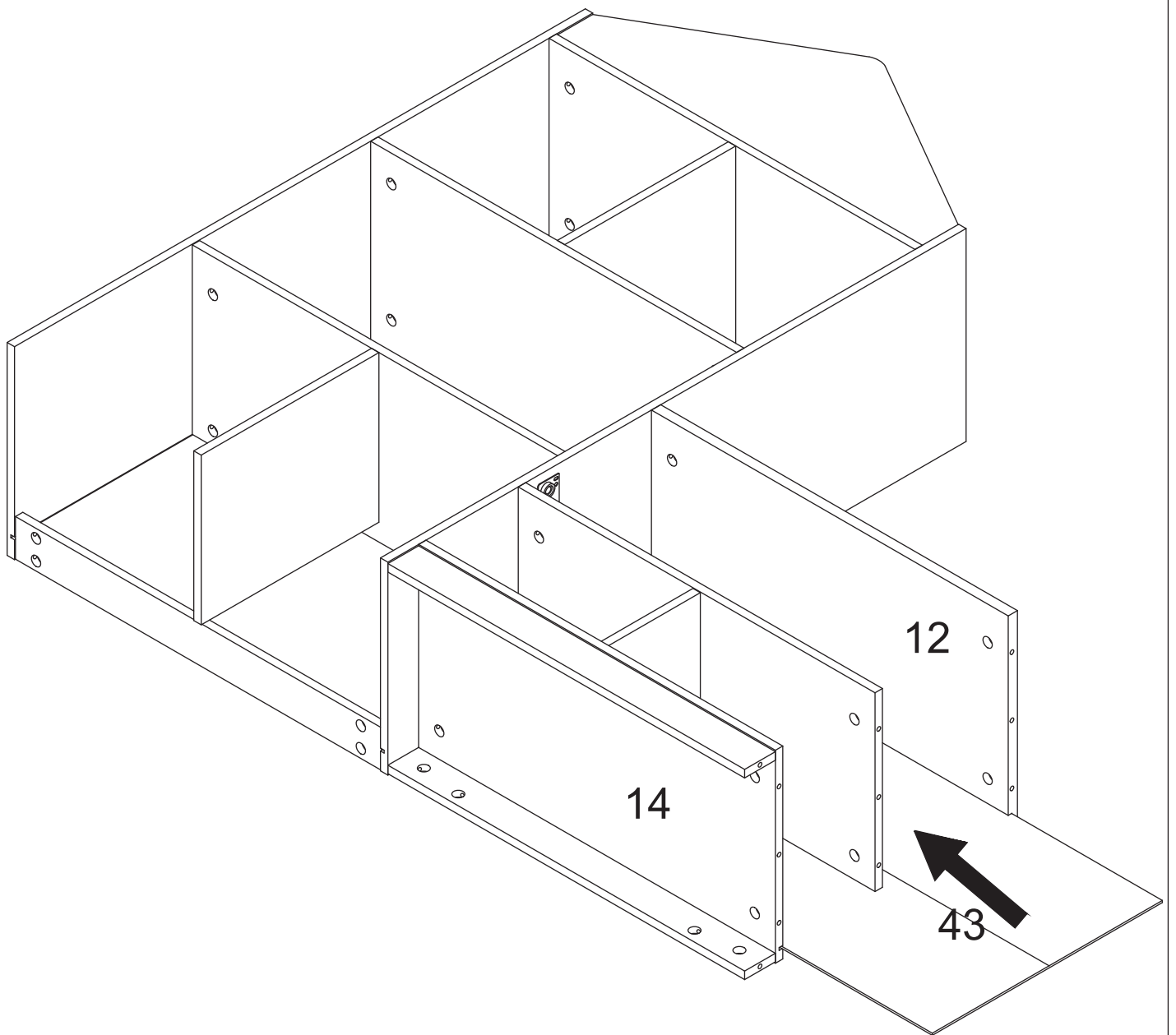


STEP24



			
Ø15*9mm		Ø6*30mm	
B	x8	C	x3

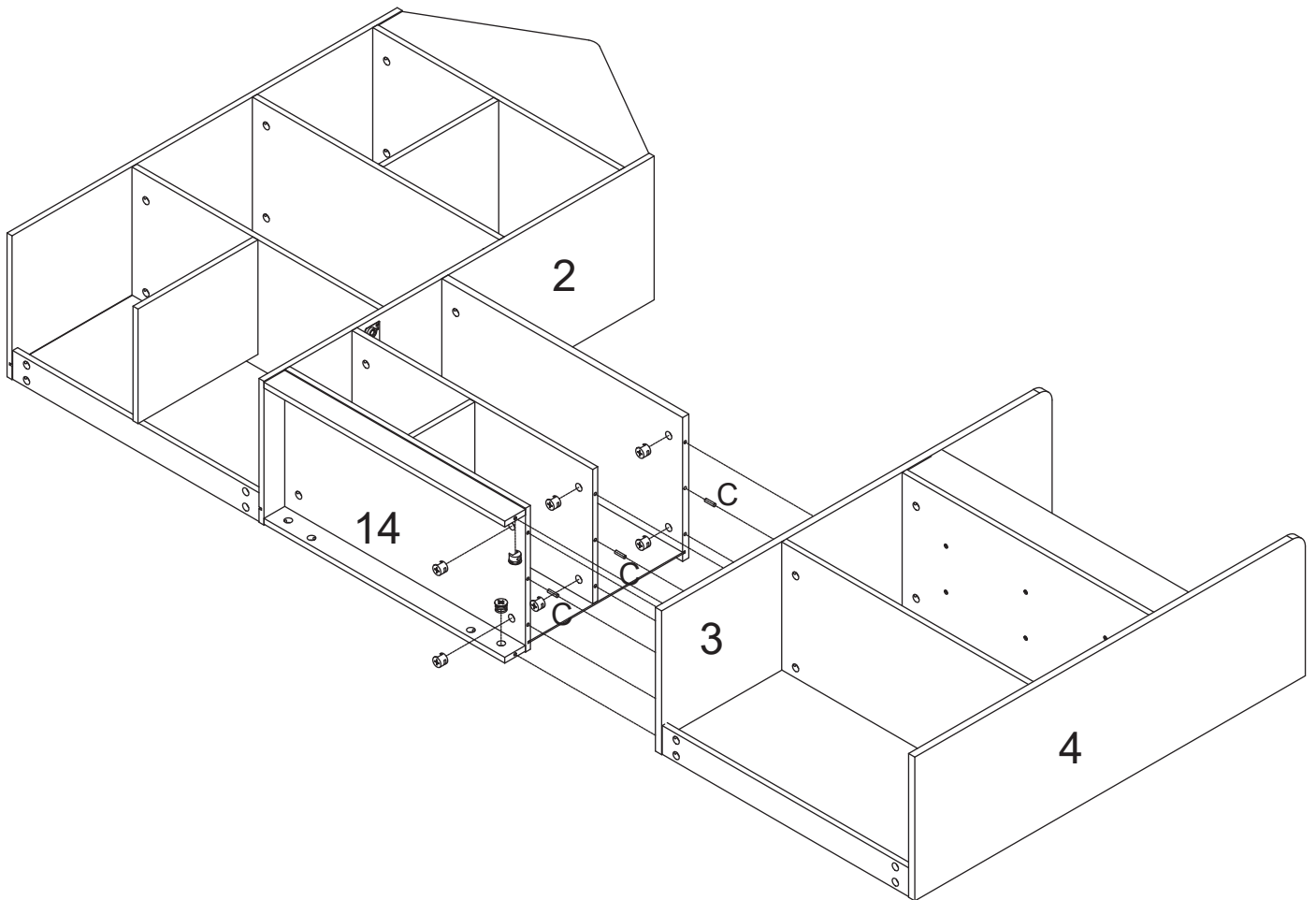


STEP 25

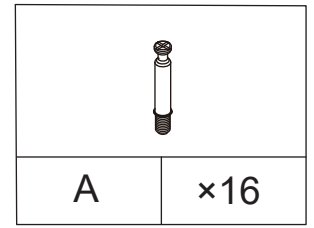
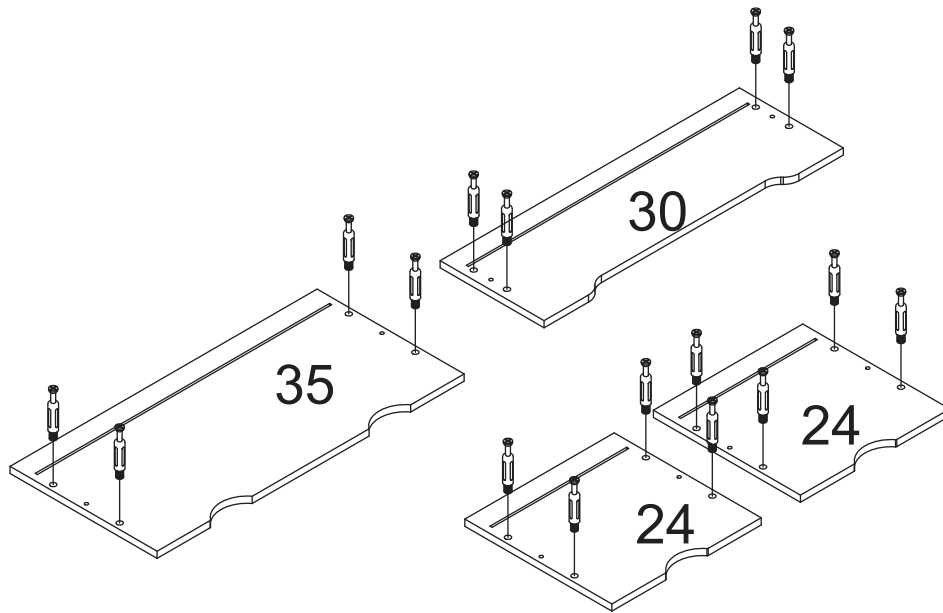


STEP26

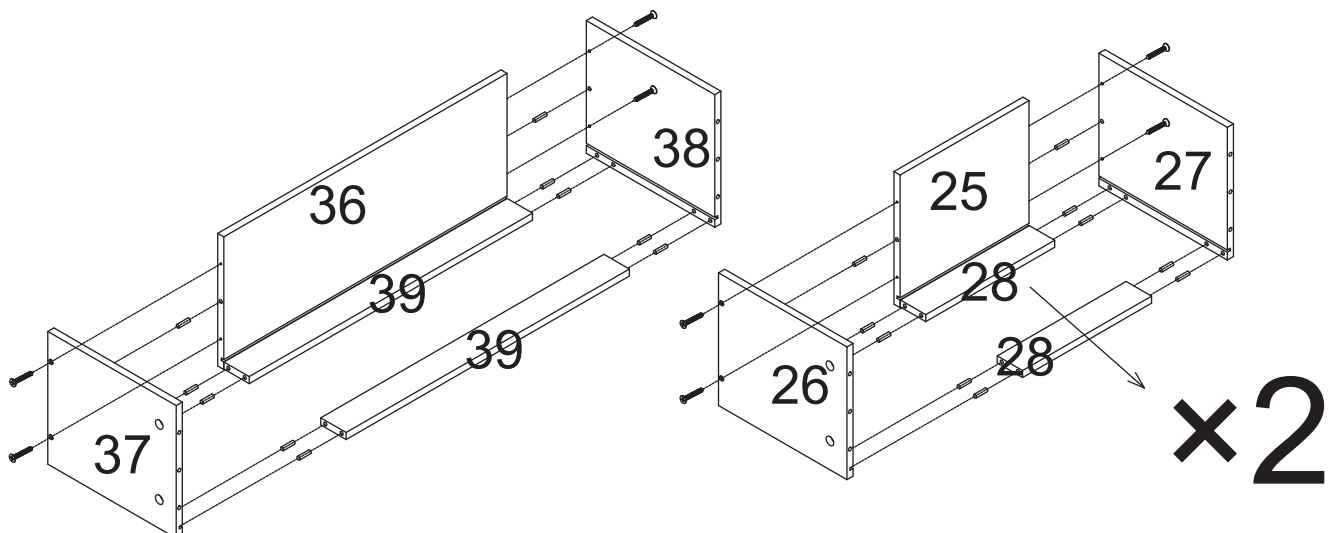
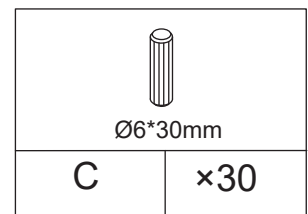
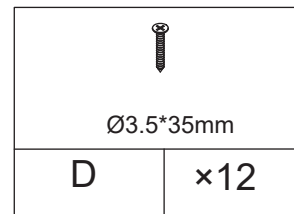
			
Ø15*9mm		Ø6*30mm	
B	x8	C	x3



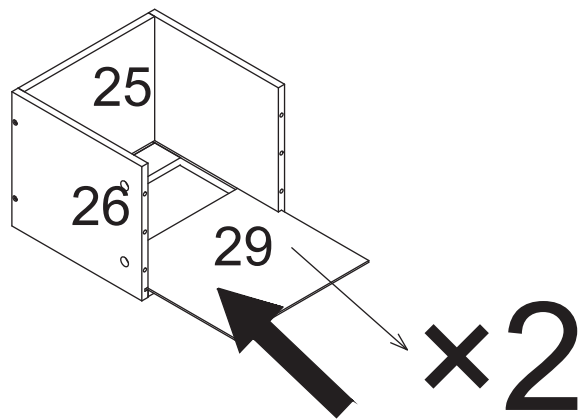
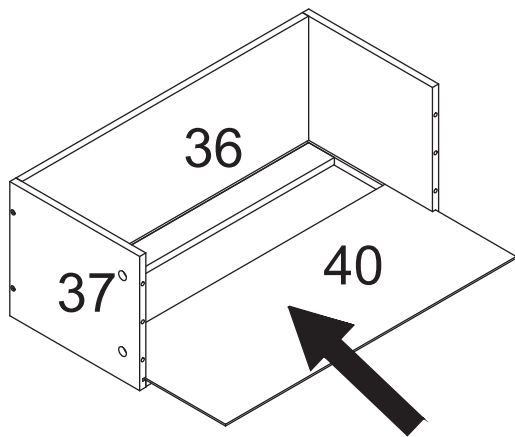
STEP27



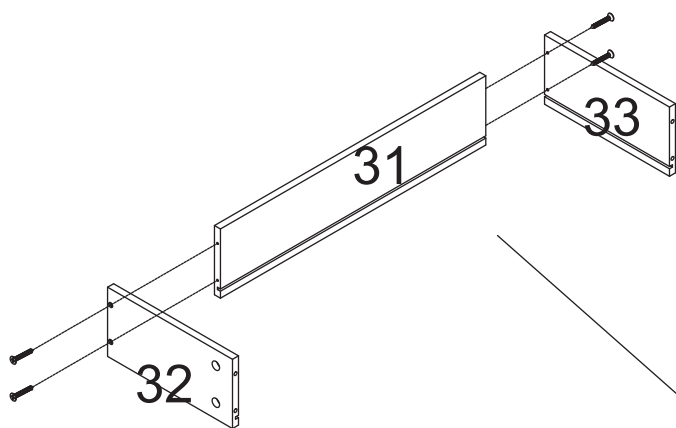
STEP28




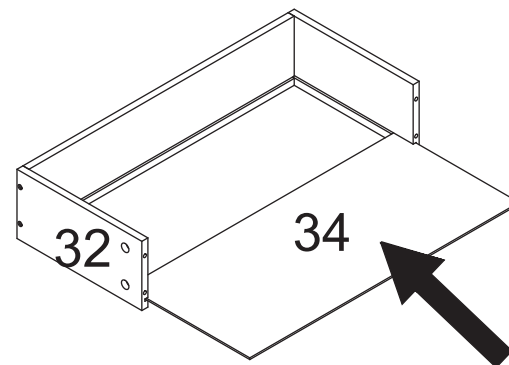
STEP29





STEP30

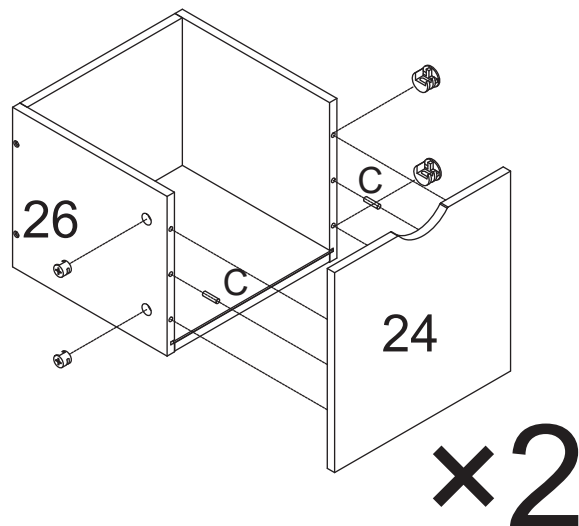
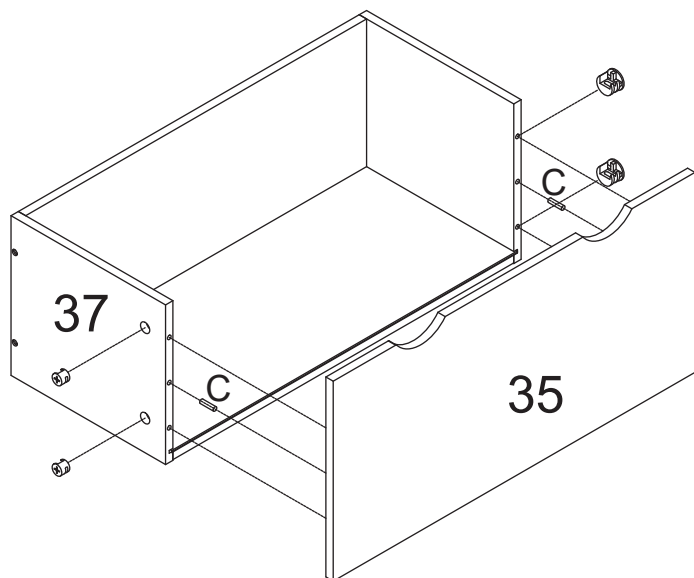


	
Ø3.5*35mm	
D	x4





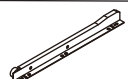


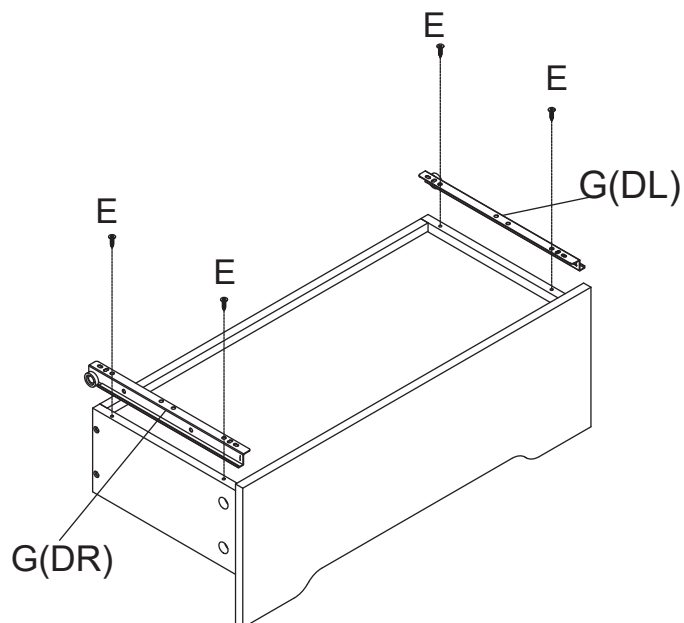
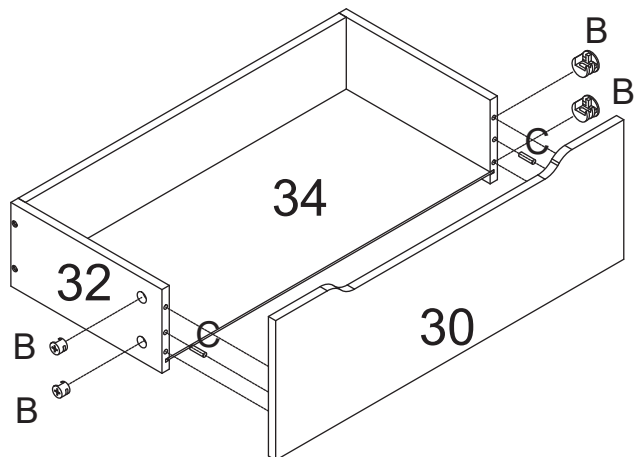
STEP31

			
Ø15*9mm		Ø6*30mm	
B	x12	C	x6

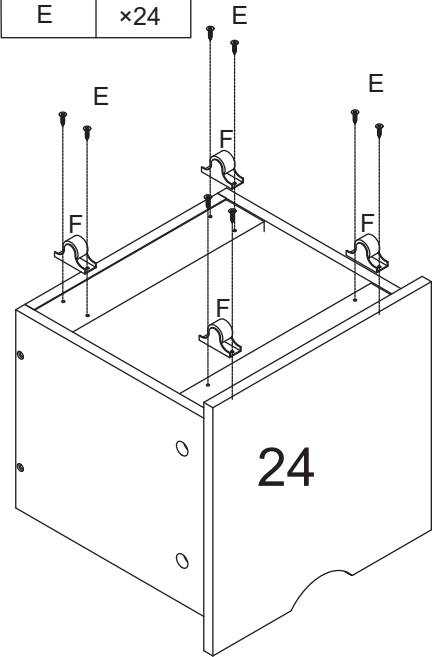
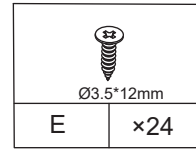
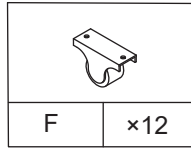
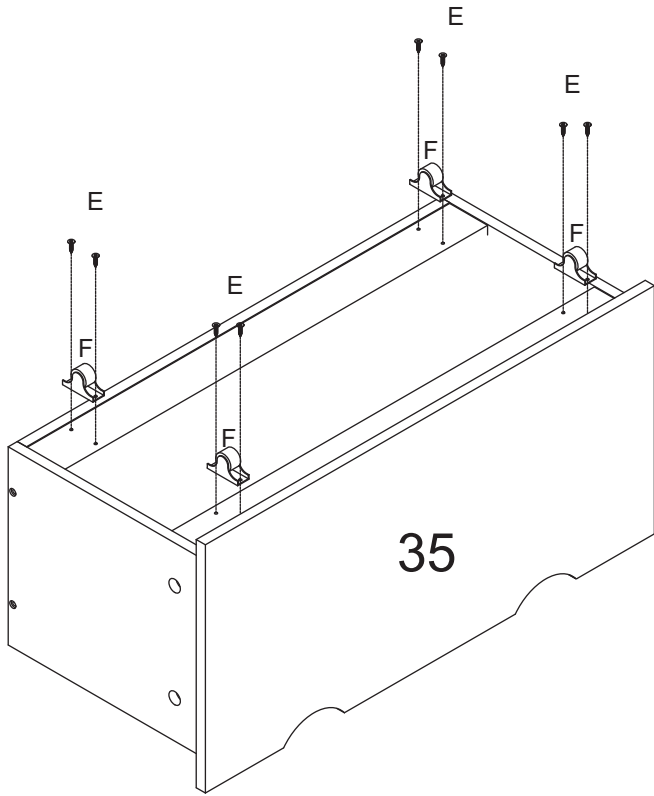


STEP32

									
Ø15*9mm		Ø6*30mm		Ø3.5*12mm		G(DL)		G(DR)	
B	x4	C	x2	E	x4	G(DL)	x1	G(DR)	x1

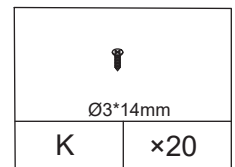
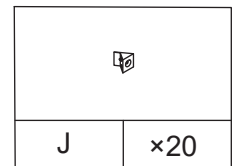
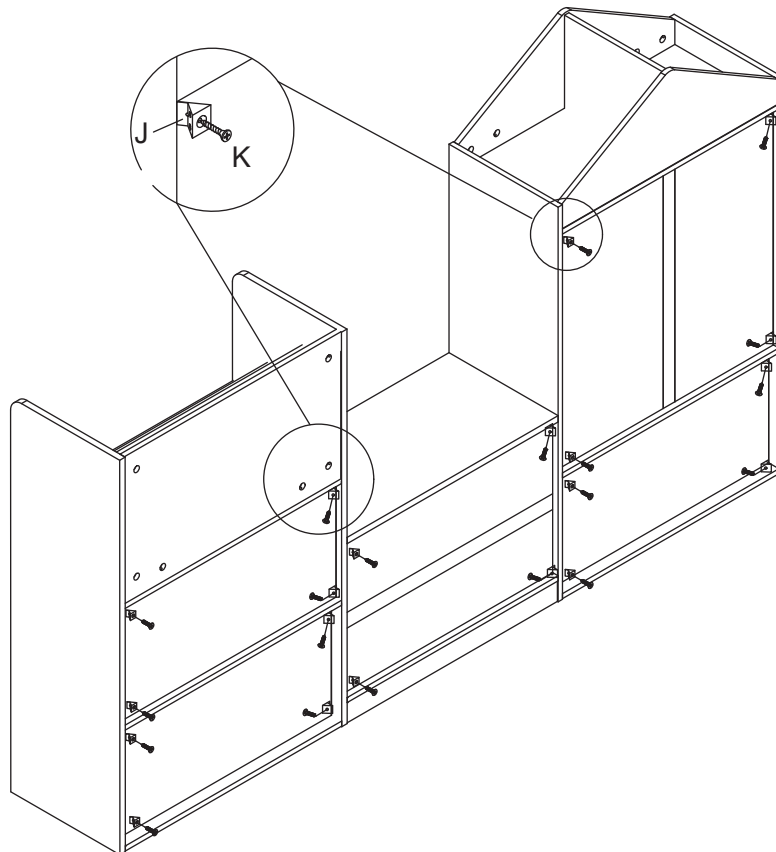


STEP33

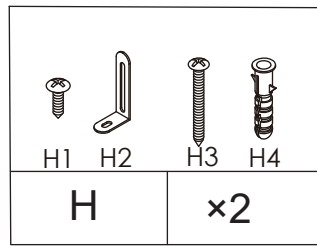


×2

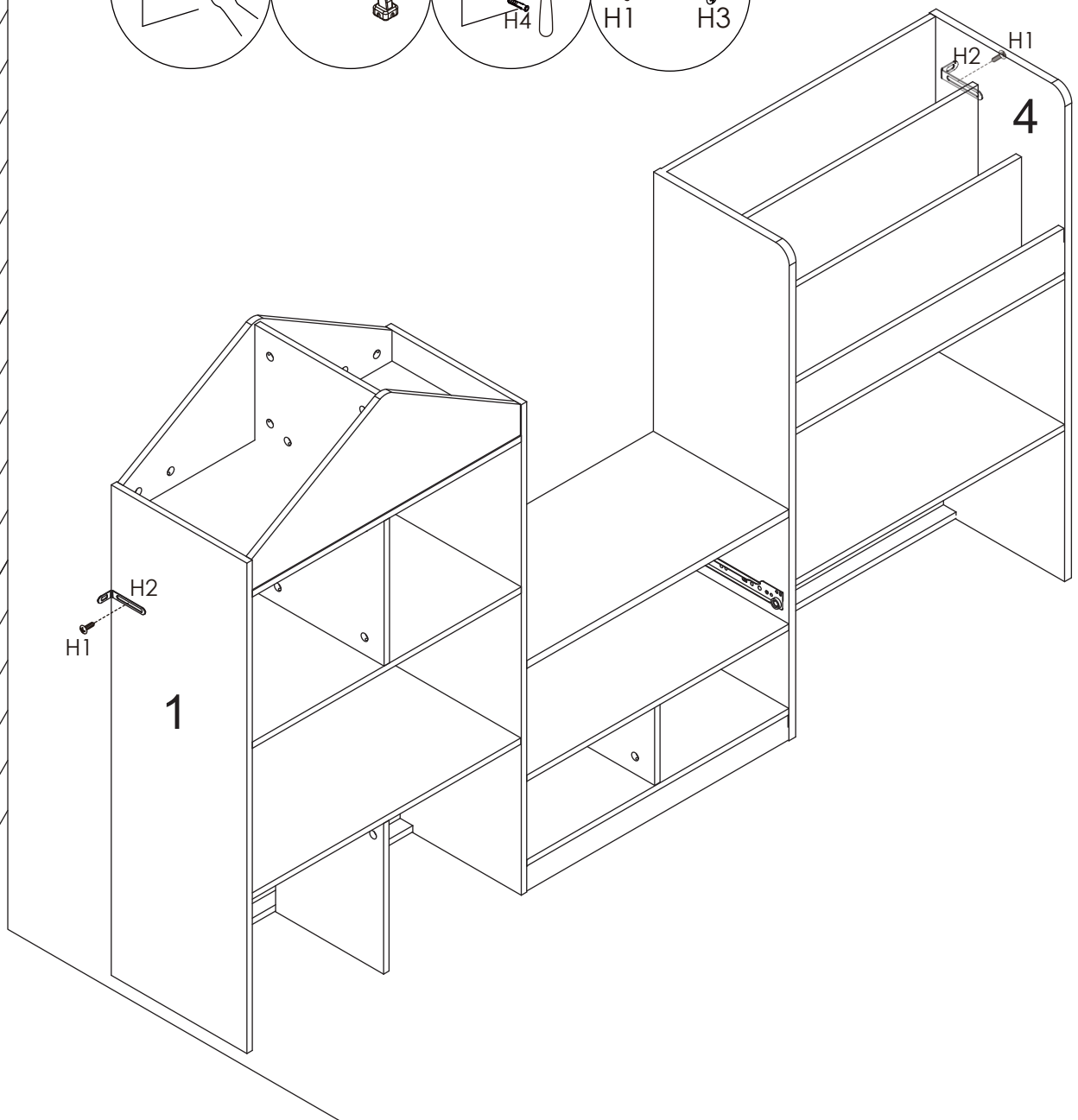
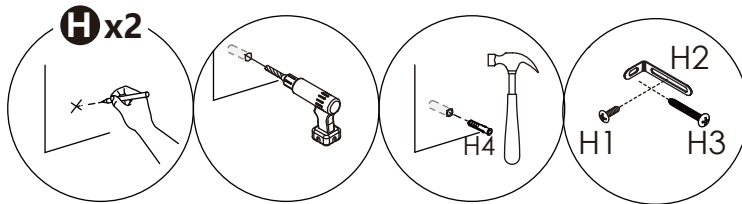
STEP34



STEP 35



WALL



STEP 36

