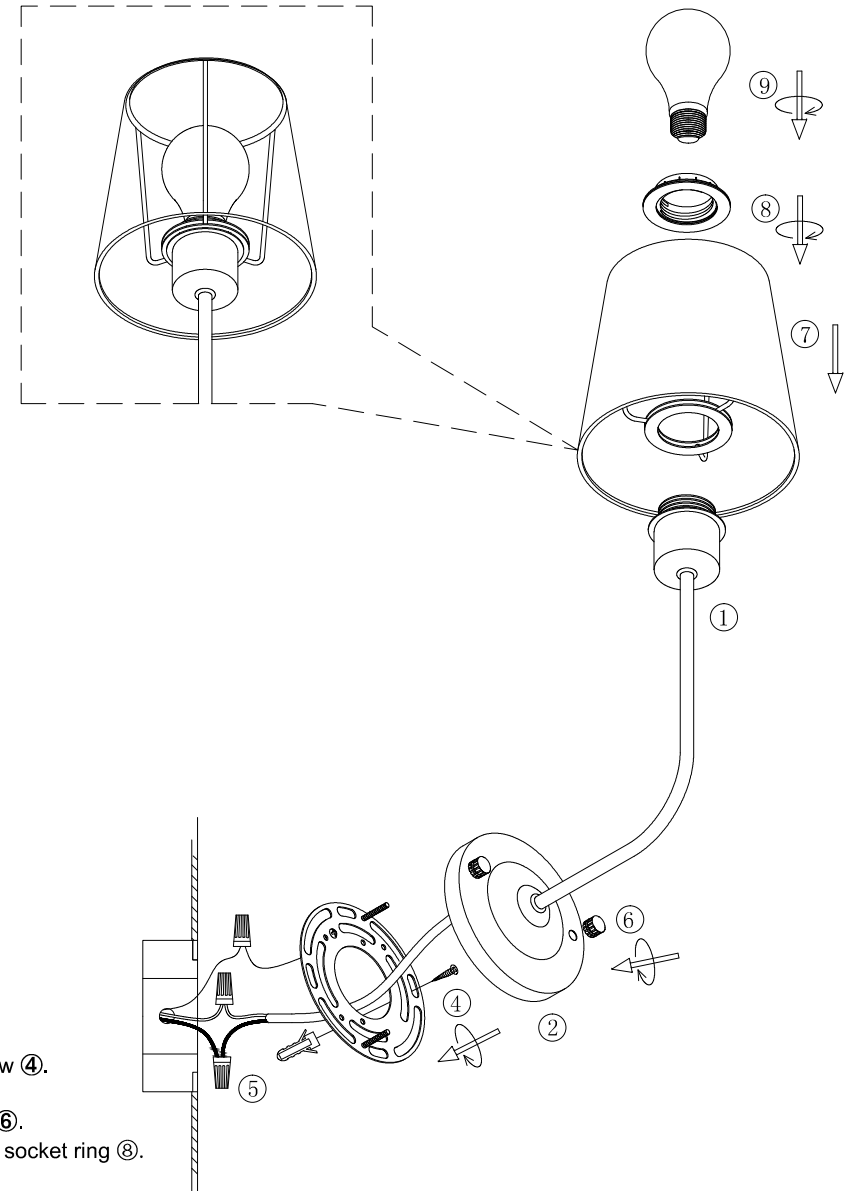


1. Let the wire go through canopy ②, teeth lock washer, ground wire, lock nut, rotate the lock nut to fix the canopy to the fixture ①.



2. Install the bracket to the junction box with screw ④.  
 3. Connect the wire to your home line.  
 4. Install the fixture to the bracket with cap nuts ⑥.  
 5. Install the lampshade ⑦ to the bulbholder with socket ring ⑧.  
 6. Install the bulbs ⑨.

**Please read carefully before installation!!!**

**Note : Please make sure that the electricity is powered off during installation !**

**Only a professional electrician should install this kind of product !**