

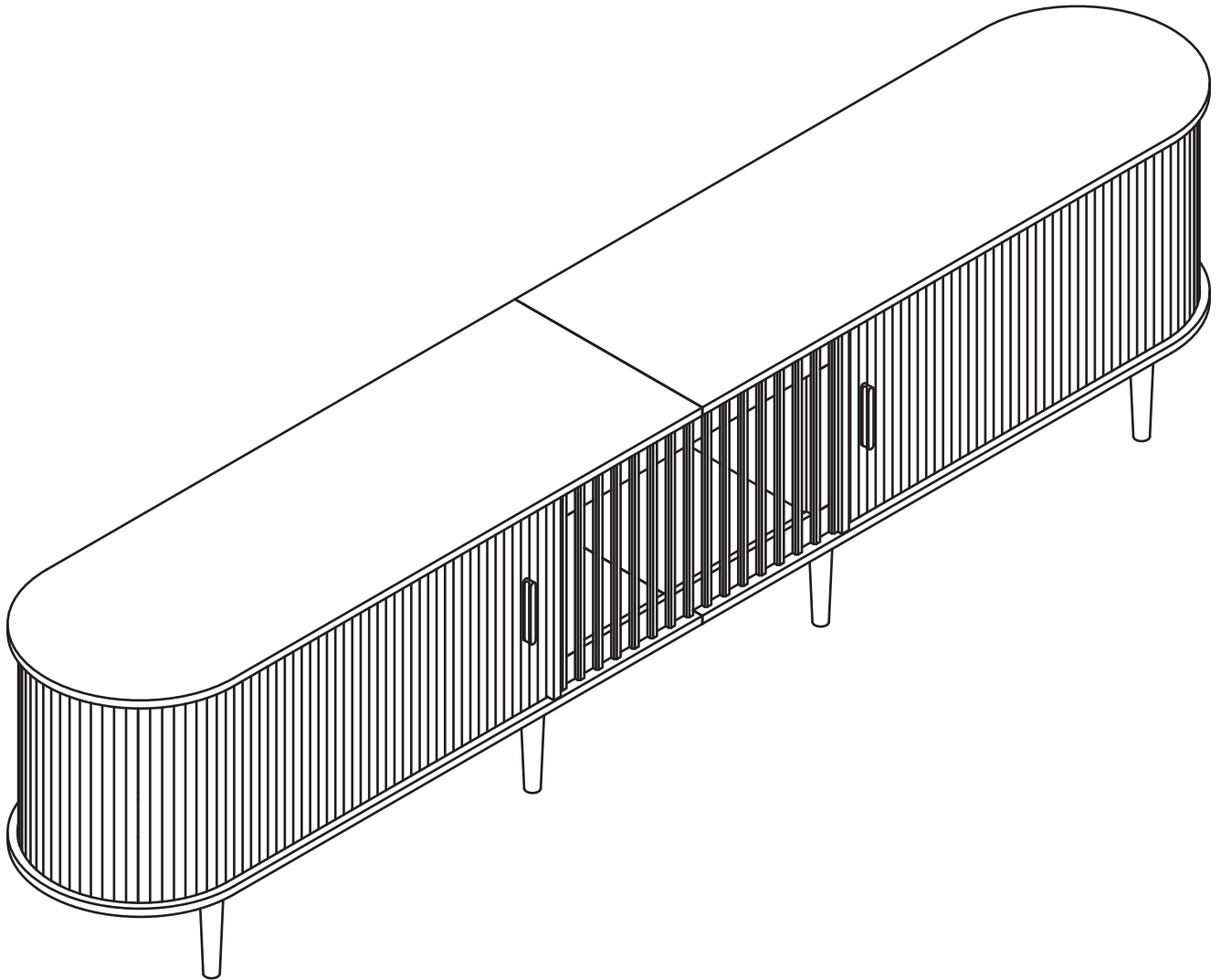
muwen



60 mins

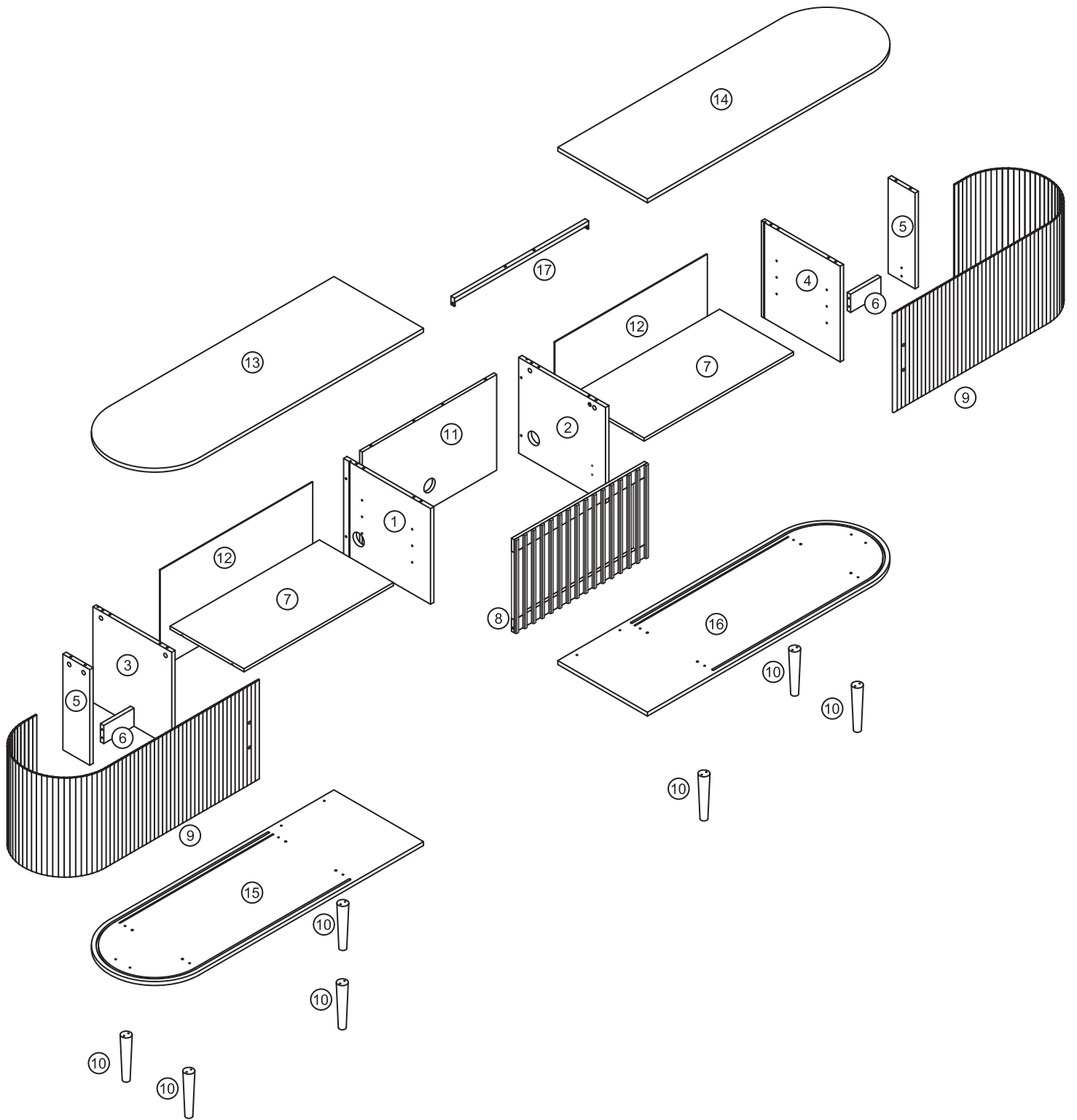


Dual-person



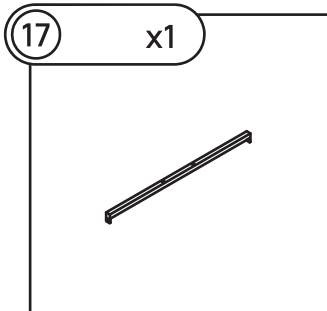
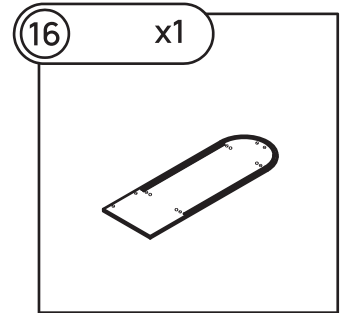
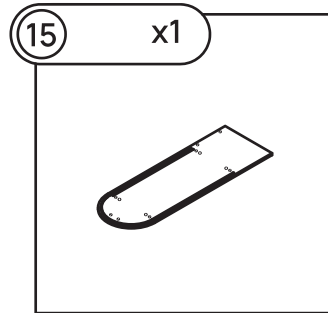
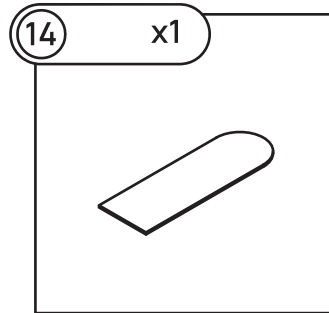
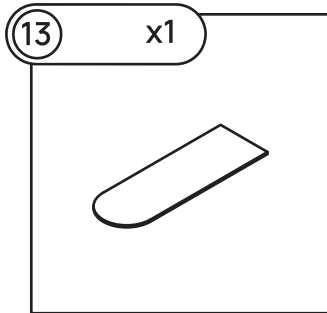
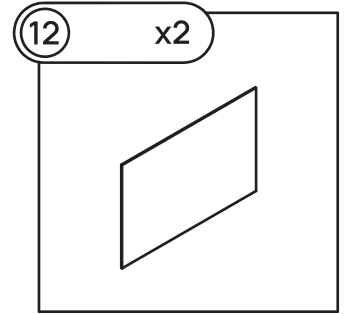
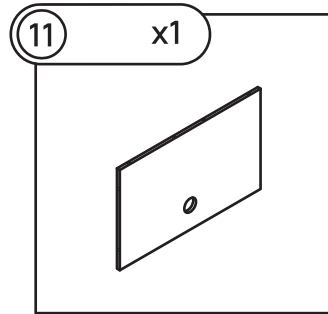
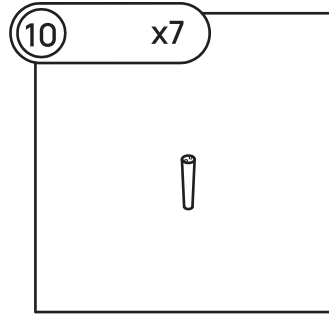
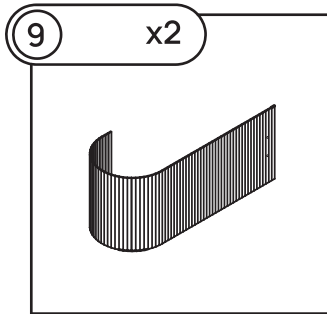
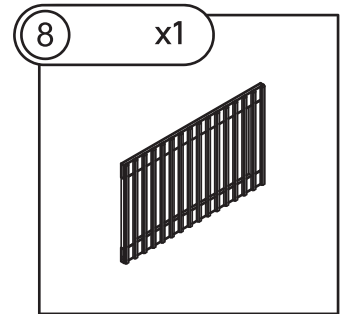
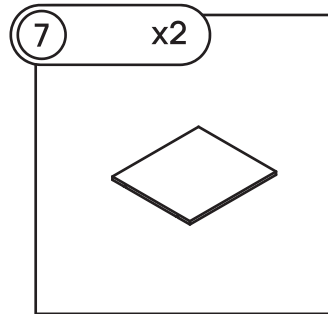
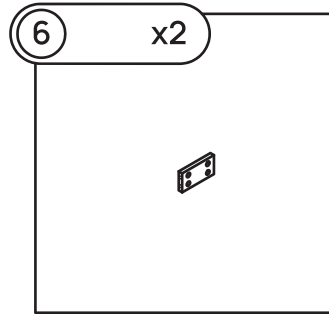
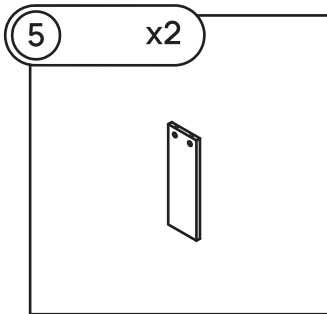
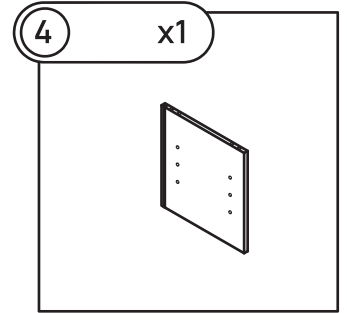
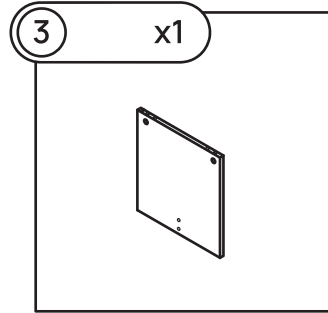
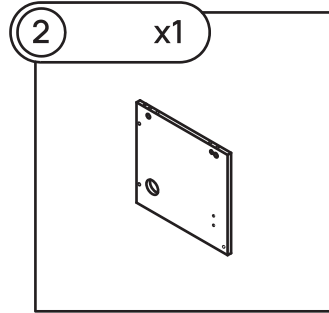
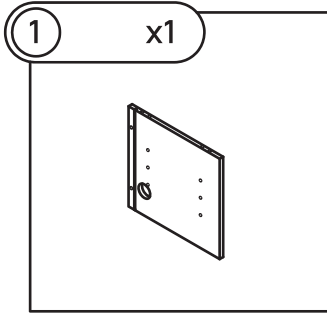
95" TV Stand & Sliding Door MW004

Assembly Instructions - Please keep for future reference
Important - Please read these instructions before assembly
Customer Support - support@muwenhome.com



Components

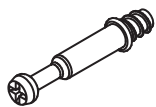
Please check if all the pieces listed below are received.



Components

Please check if all the pieces listed below are received.

A x24+2



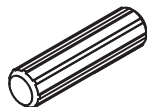
$\phi 6 \times 33.5$ mm

B x24+2



$\phi 15 \times 9.5$ mm

C x16+1



$\phi 6 \times 30$ mm

D x24+2



$\phi 20$ mm

E x7



60x60x2.5 mm

F x2



M6x 25 mm

G x38+2



M6 x 12 mm

H x1



M4 mm

I x34+2



M5x 48mm

J x8+2



$\phi 5 \times 17$ mm

K x2



L x1



M x1



N x4



M4x 10mm

O x2



114x11x16 mm

P x9+1



$\phi 3.5 \times 12$ mm

Q x8



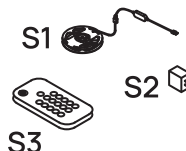
15 x 15 x 10 mm

R x8



$\phi 3 \times 16$ mm

S x1



T x6+1



20x6x4 mm

U x12+2



$\phi 3 \times 12$ mm

V x1



W x1



45x16x 14 mm

X x1



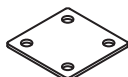
34x12x 12 mm

Y x2



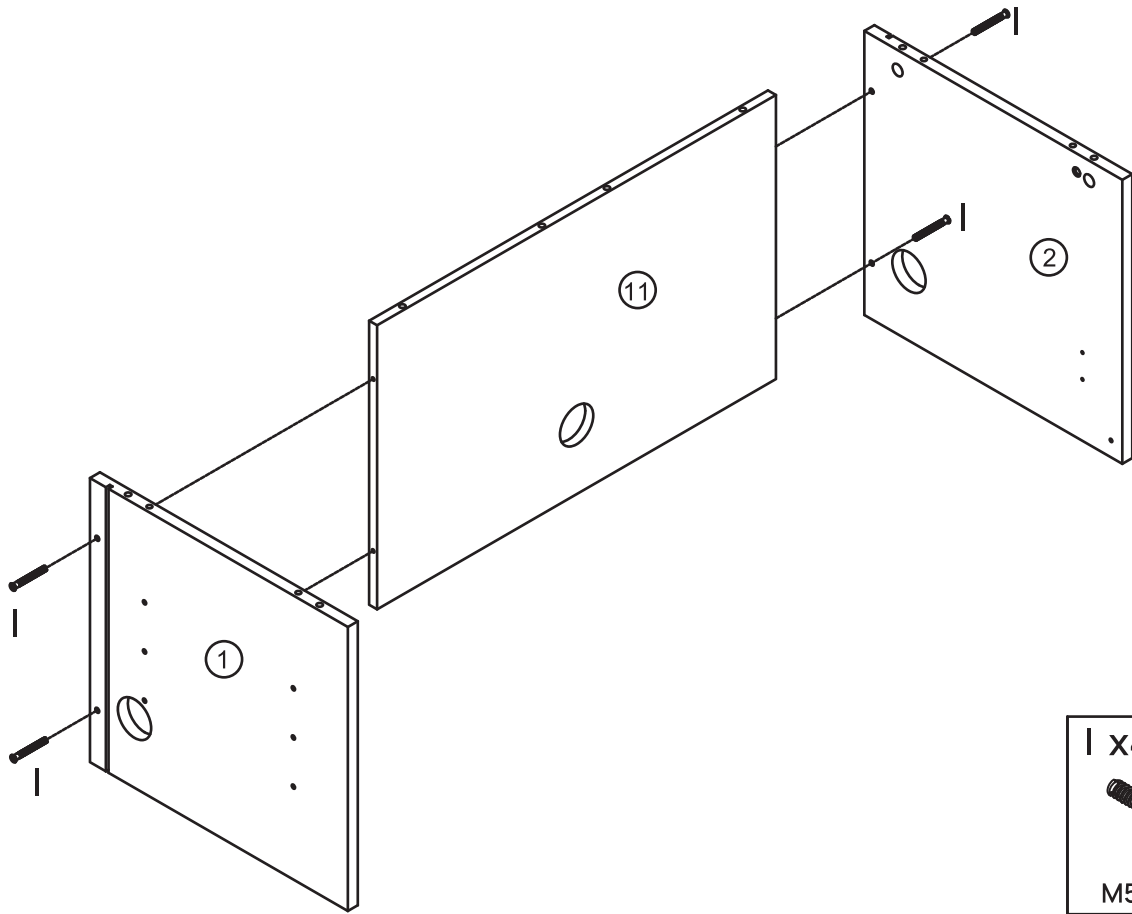
$\phi 3.5 \times 16$ mm

Z x2

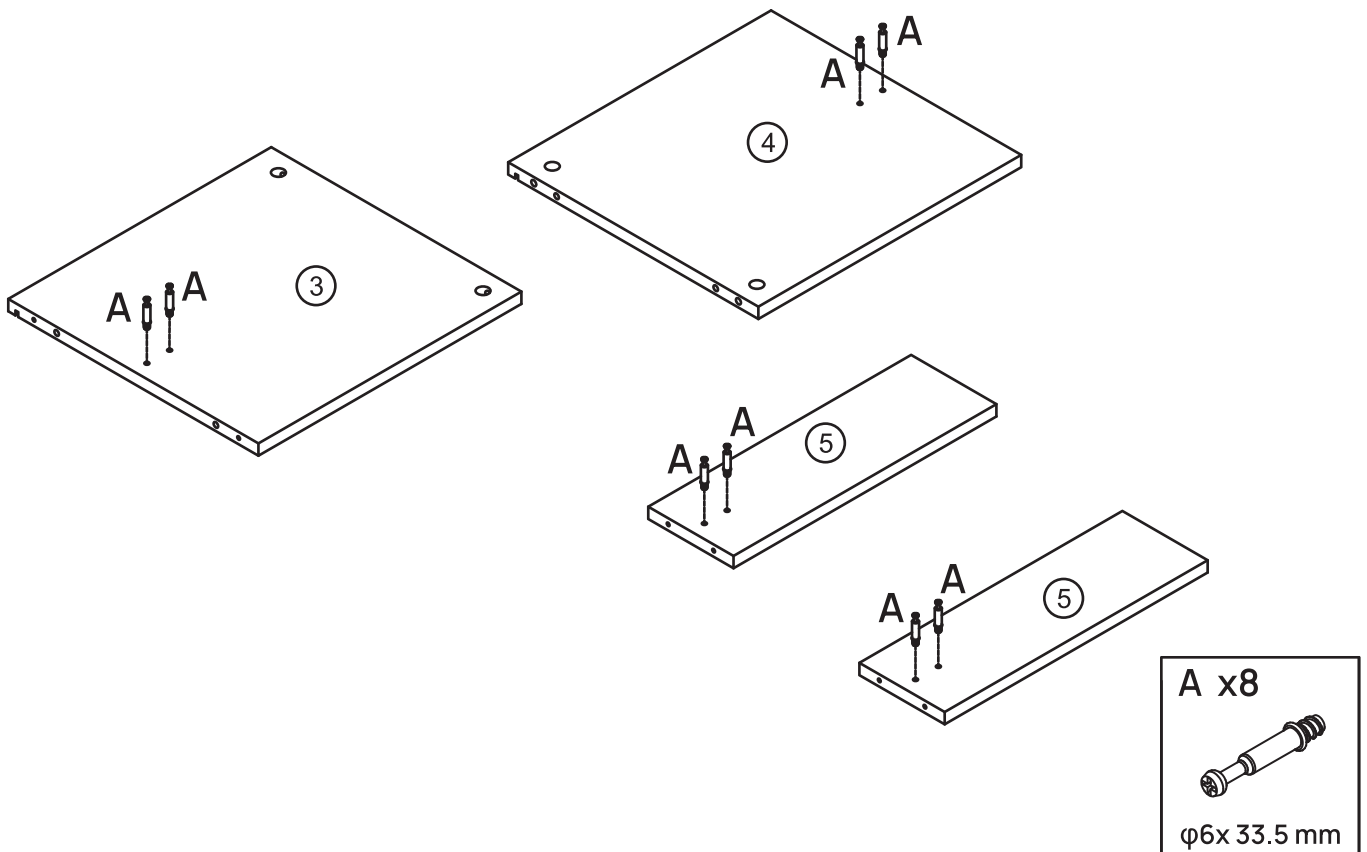


60x60x2.5 mm

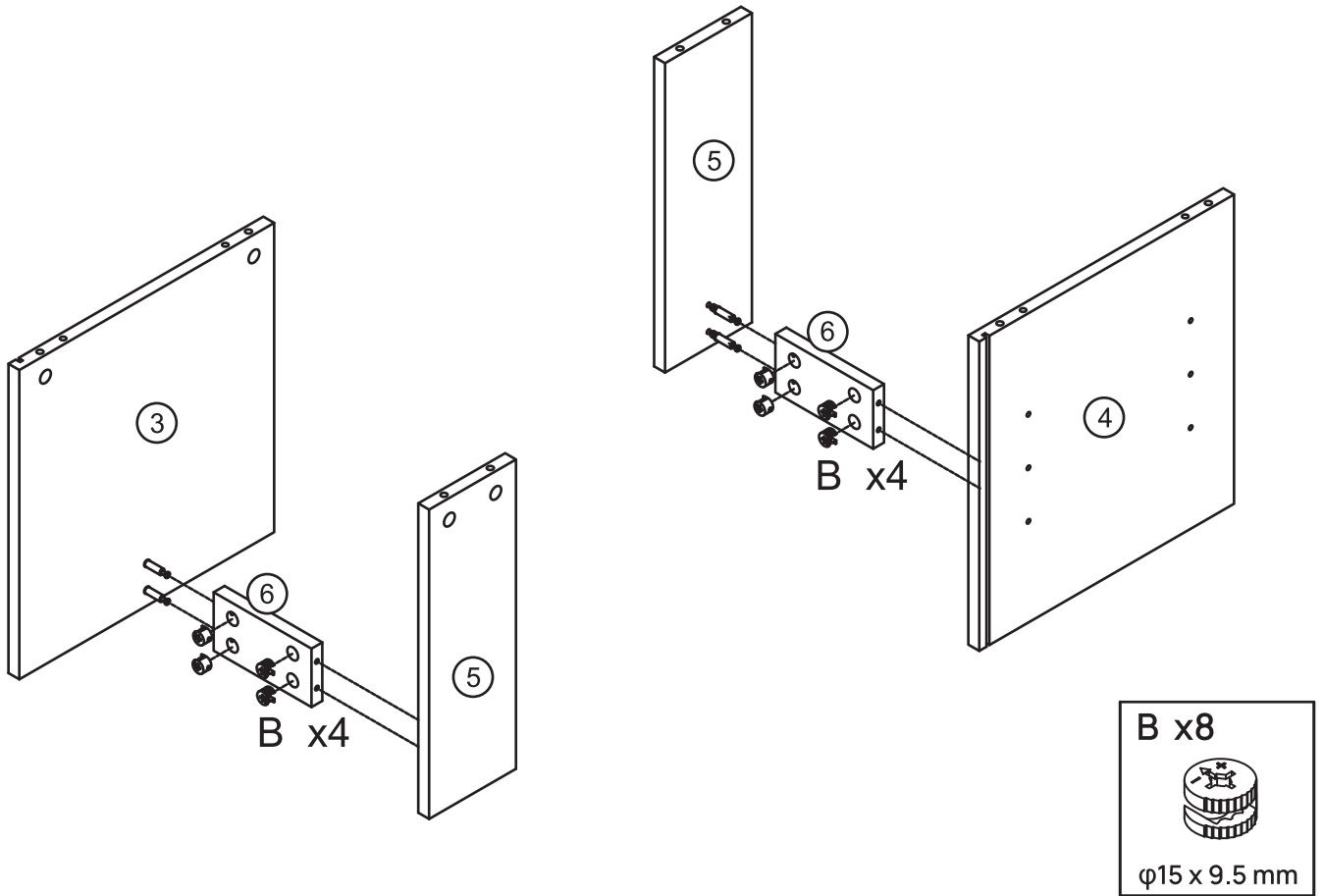
Step 1



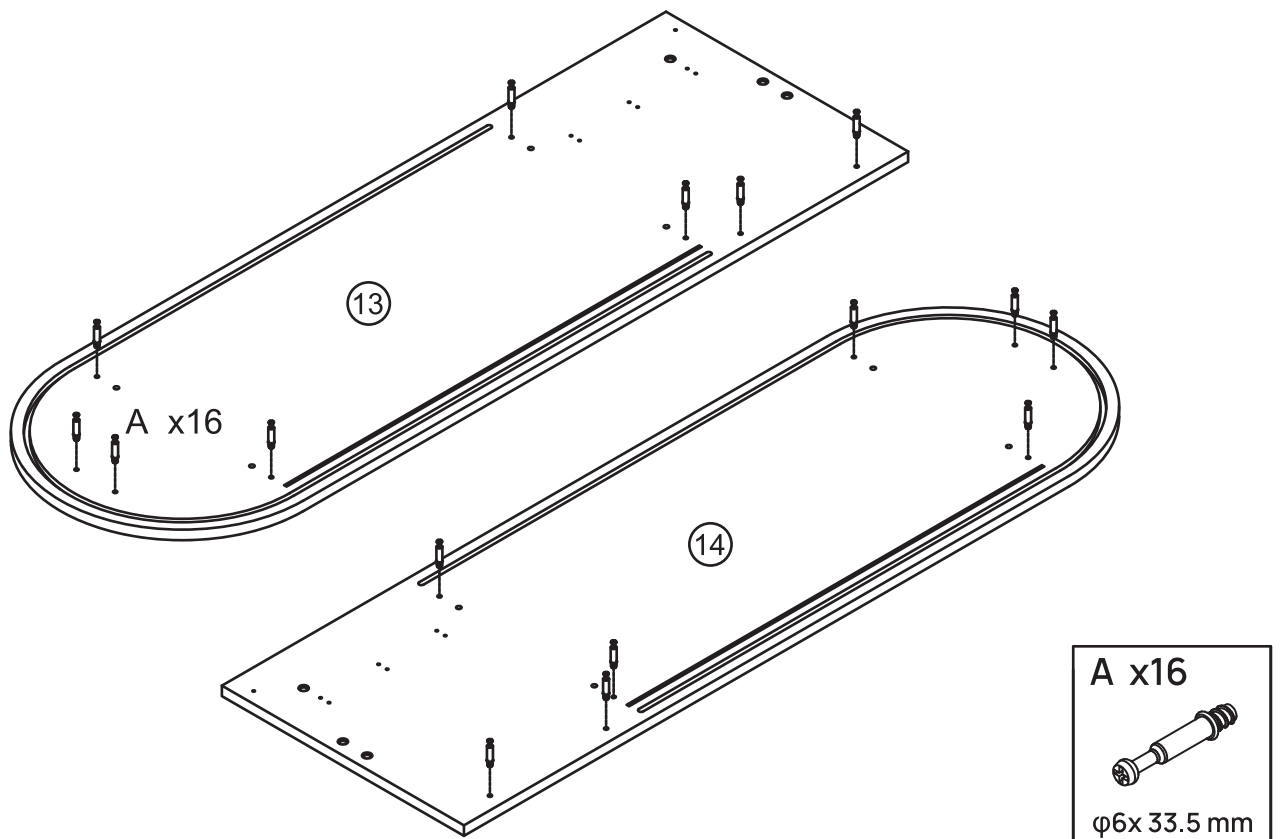
Step 2



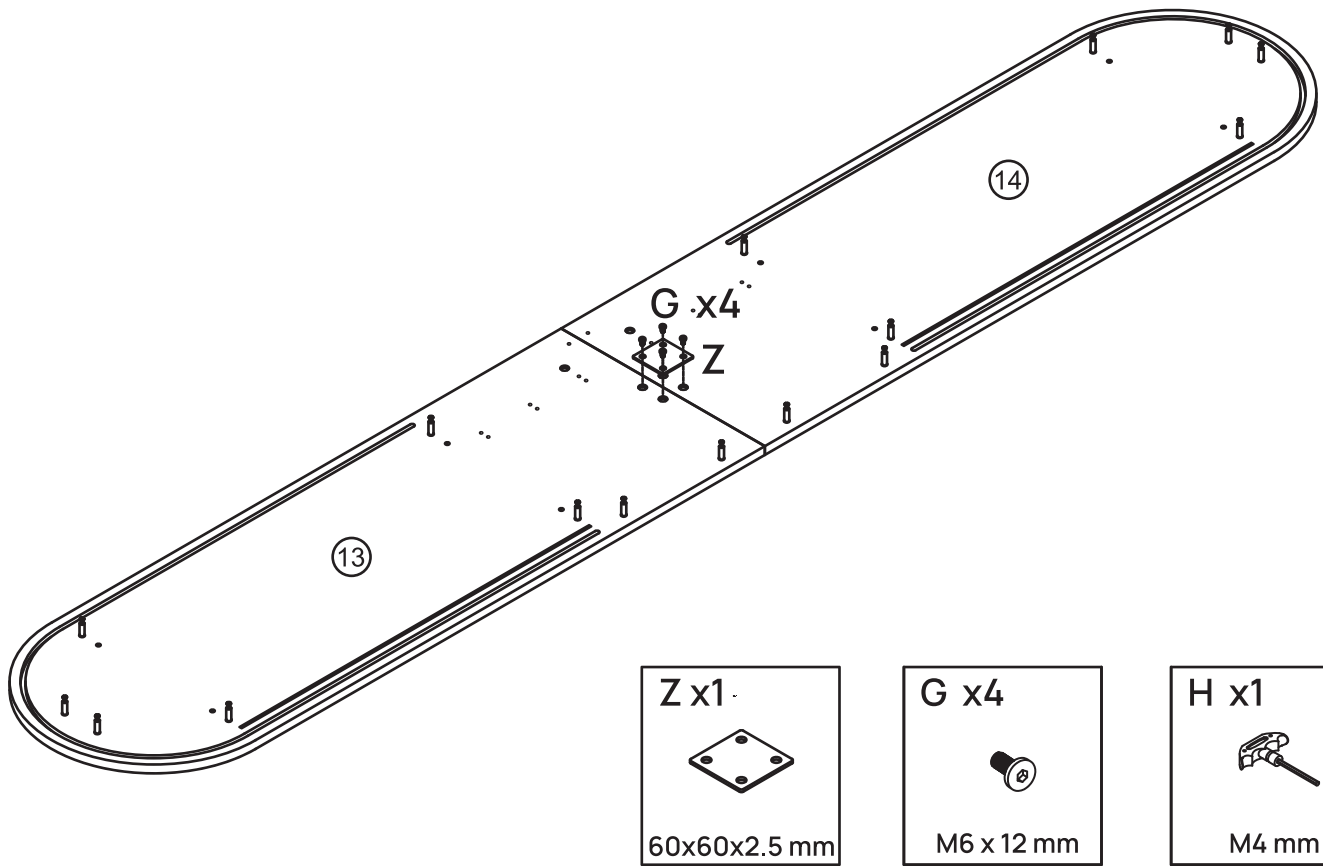
Step 3



Step 4

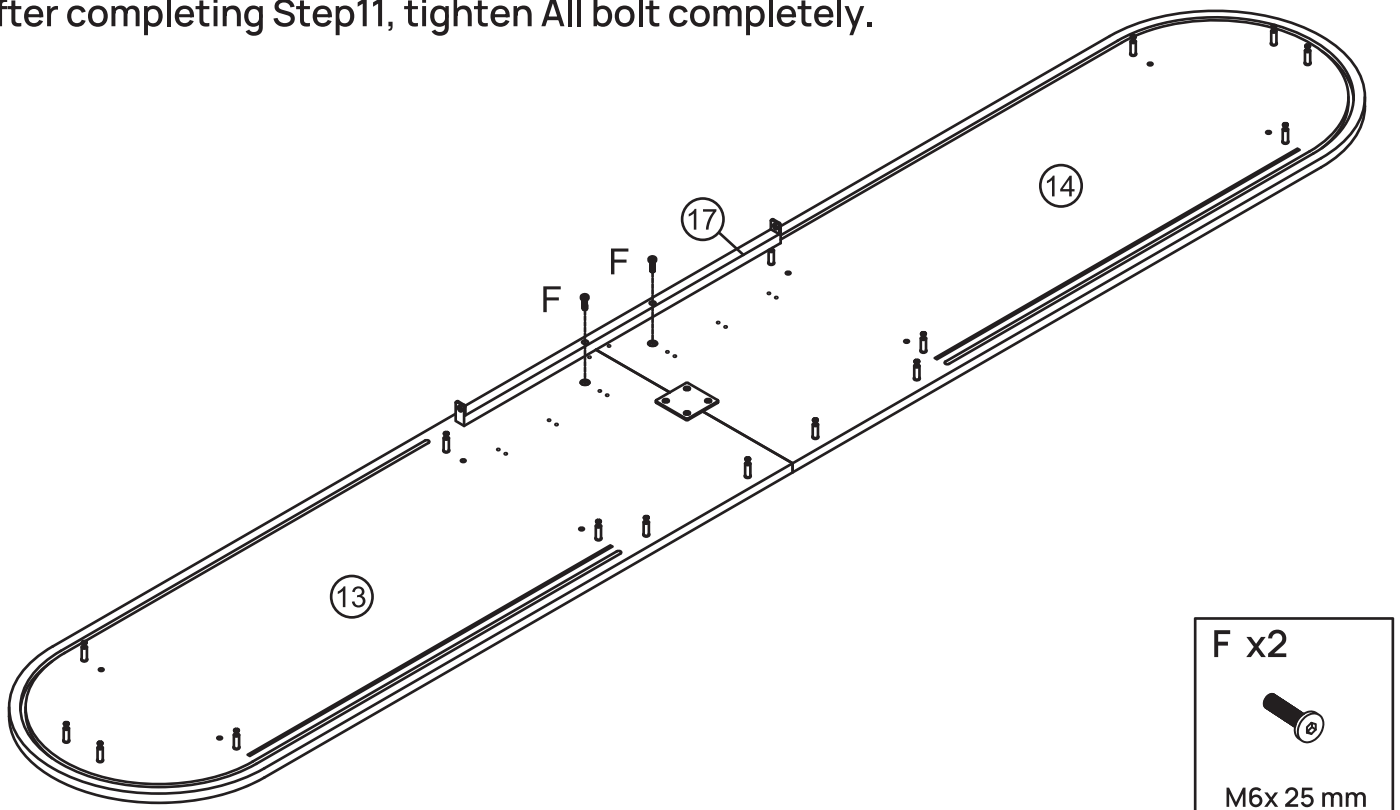


Step 5

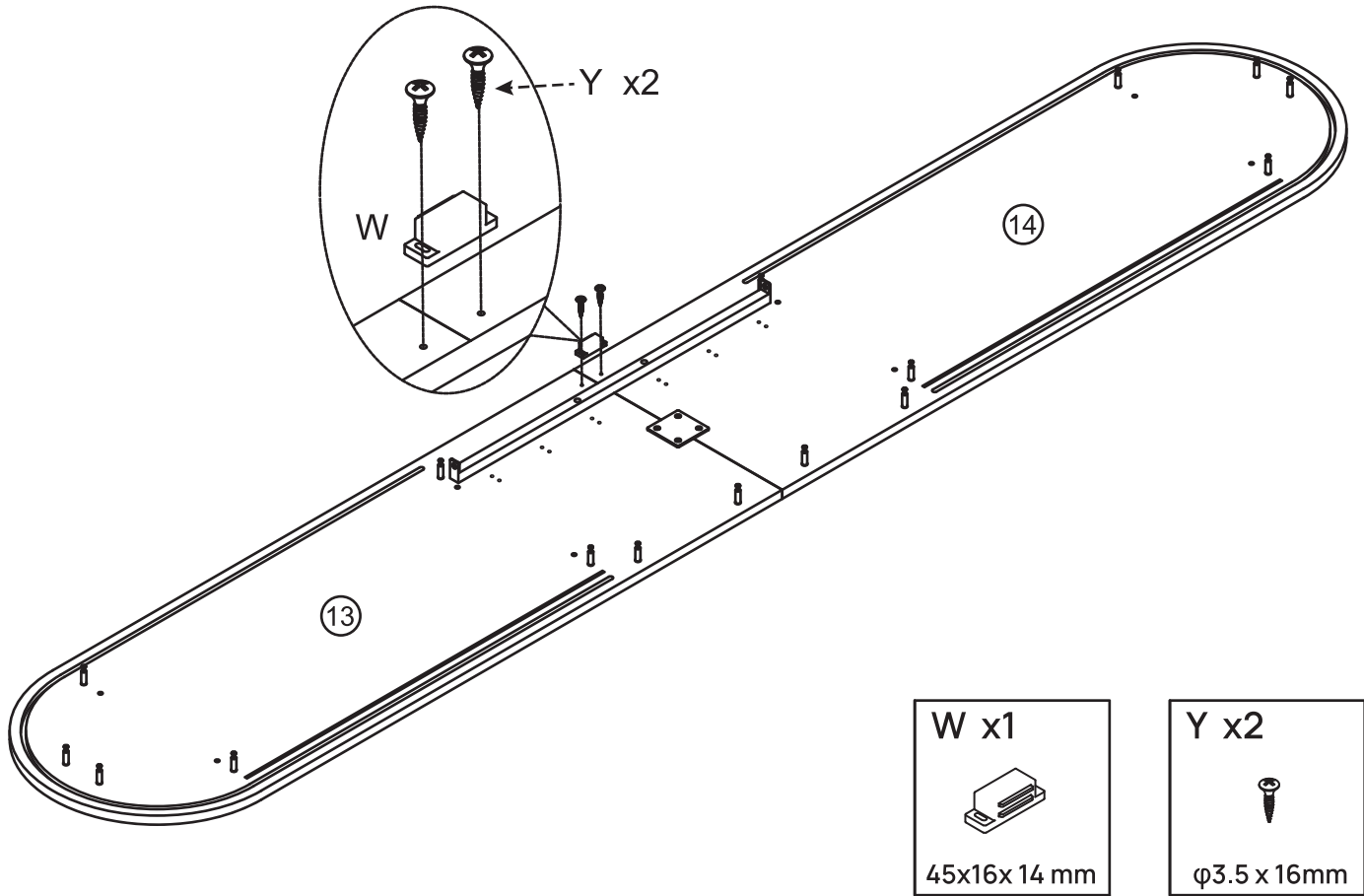


Step 6

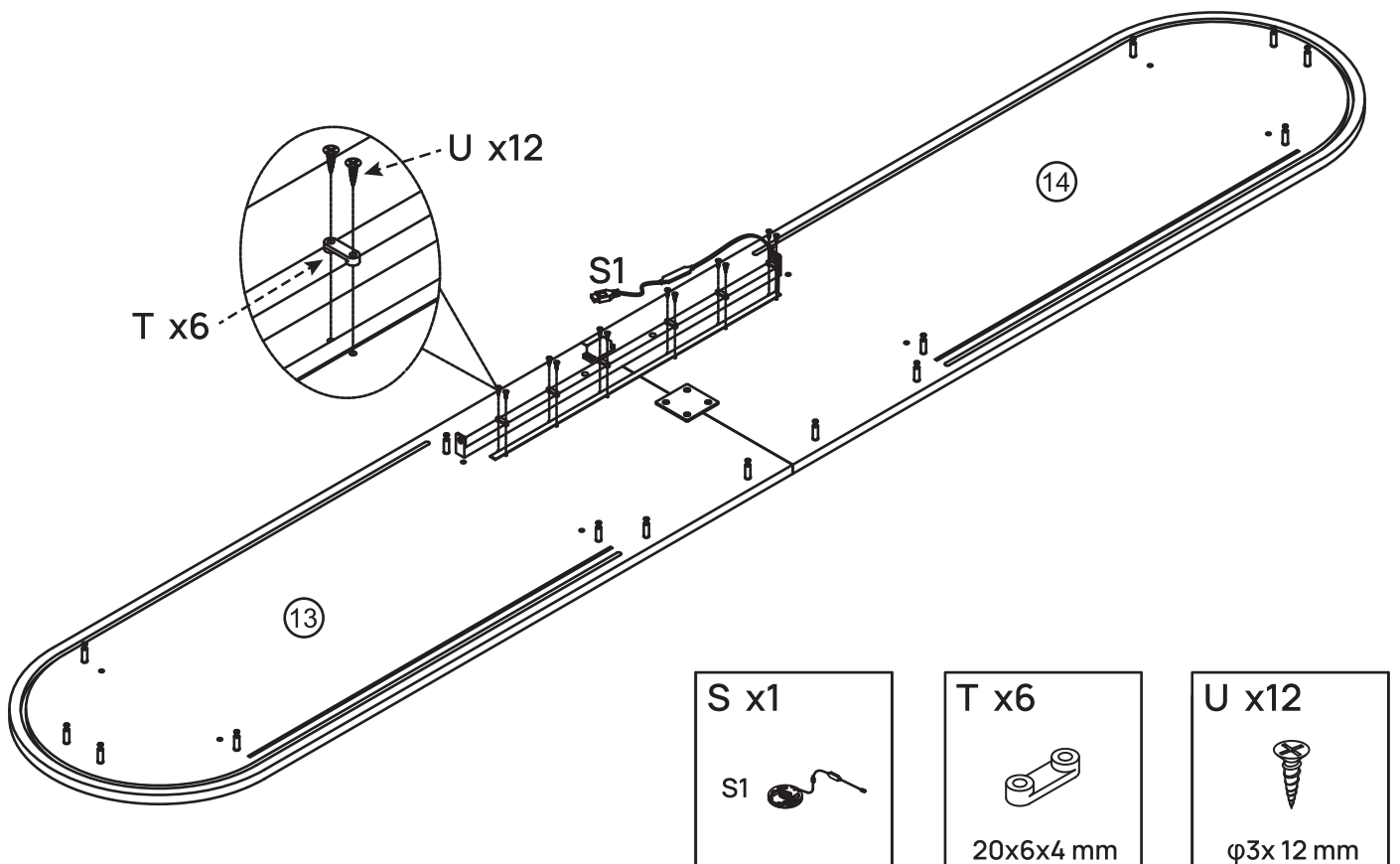
Tighten All bolt #F to 80% first.
After completing Step11, tighten All bolt completely.



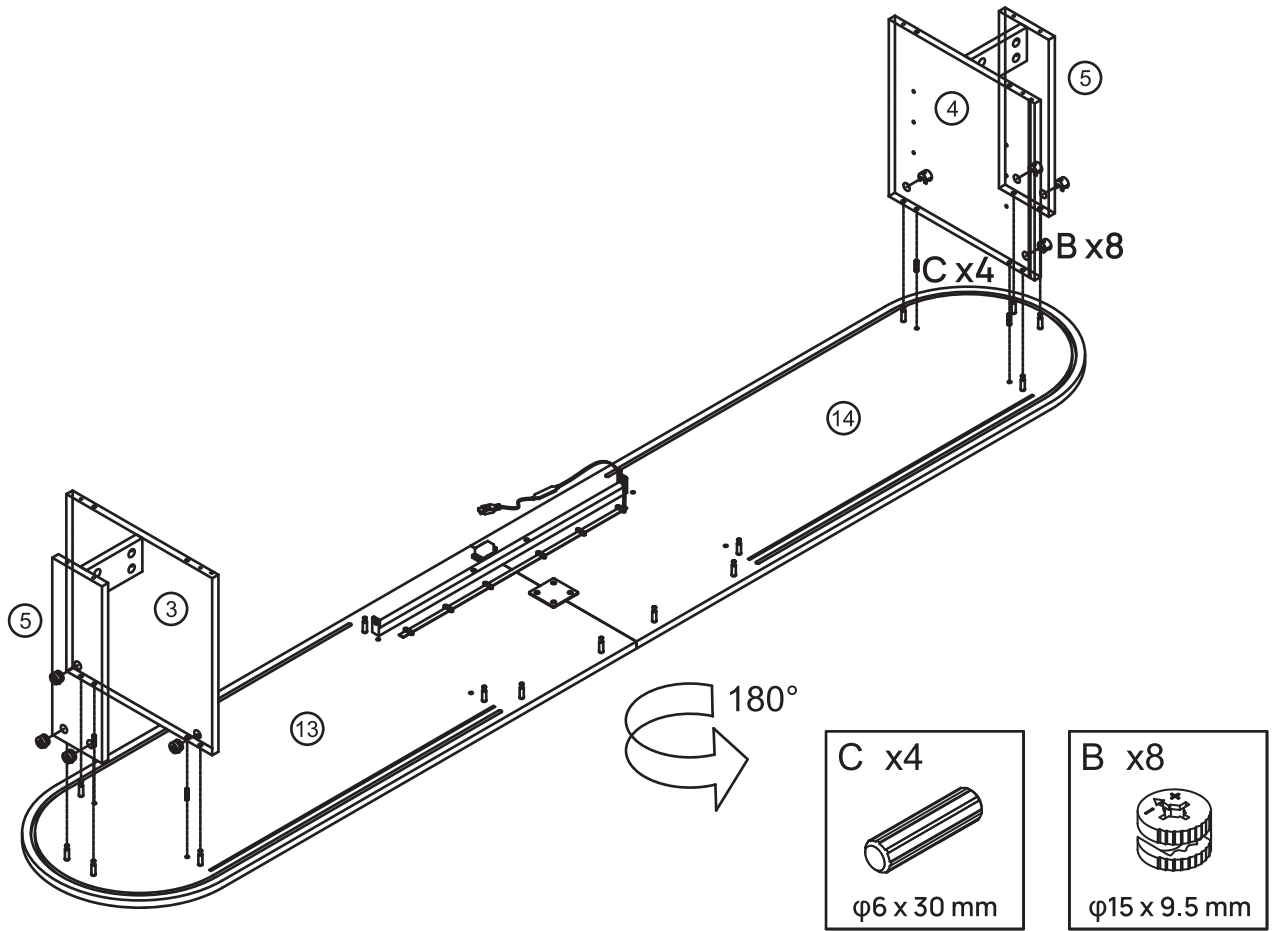
Step 7



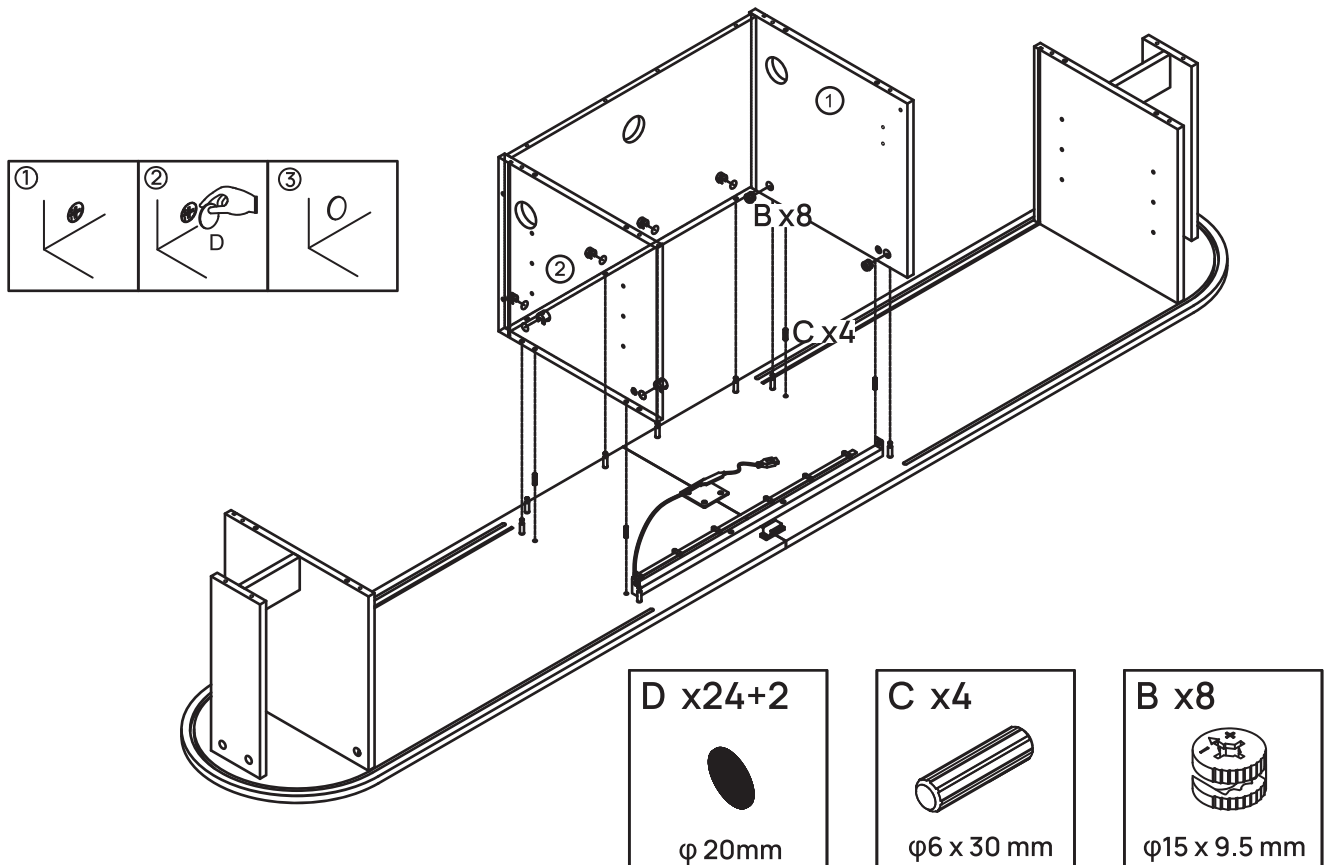
Step 8



Step 9

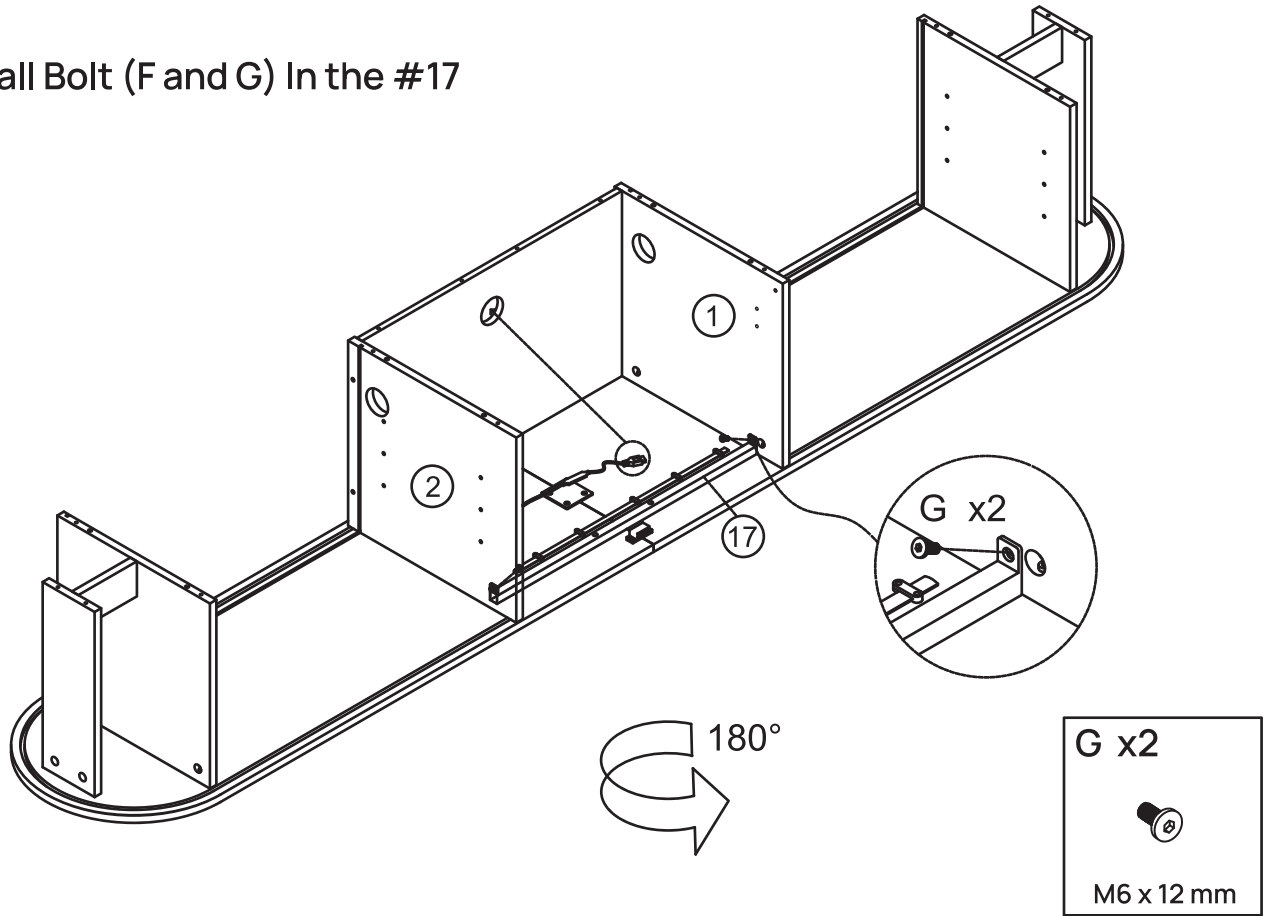


Step 10

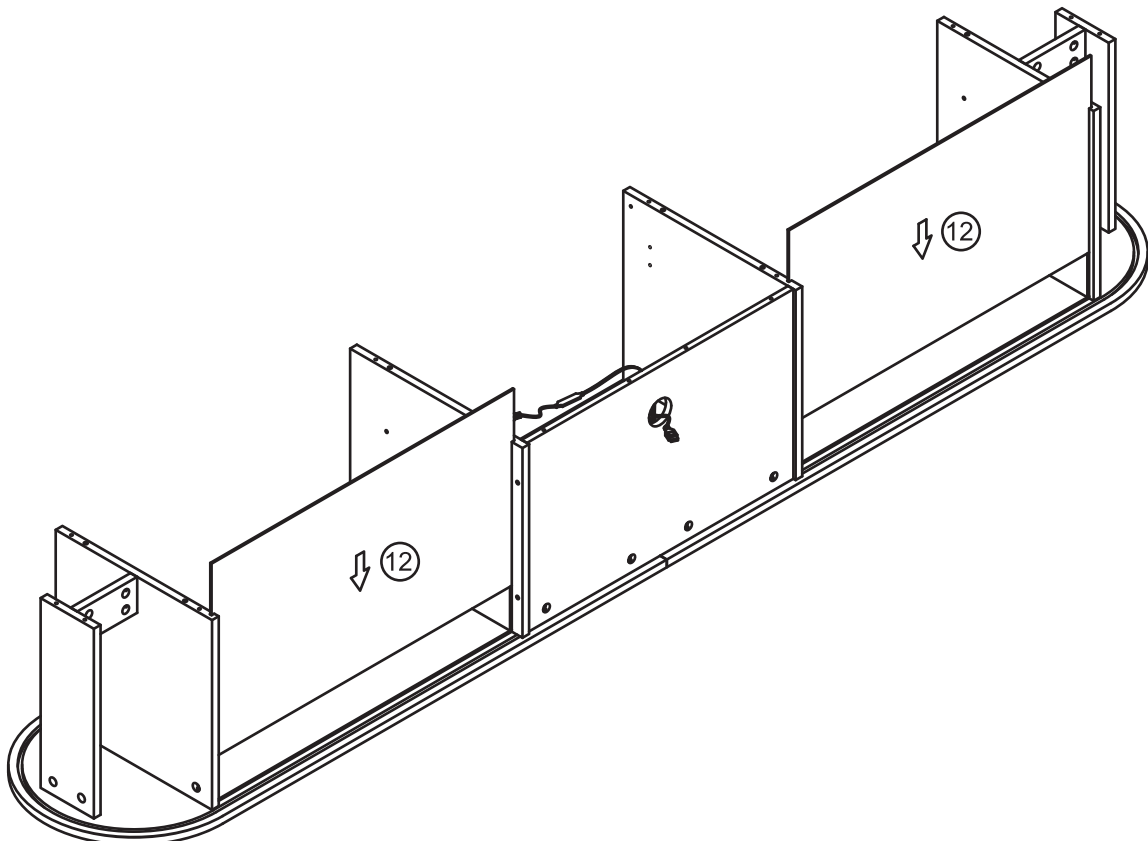


Step 11

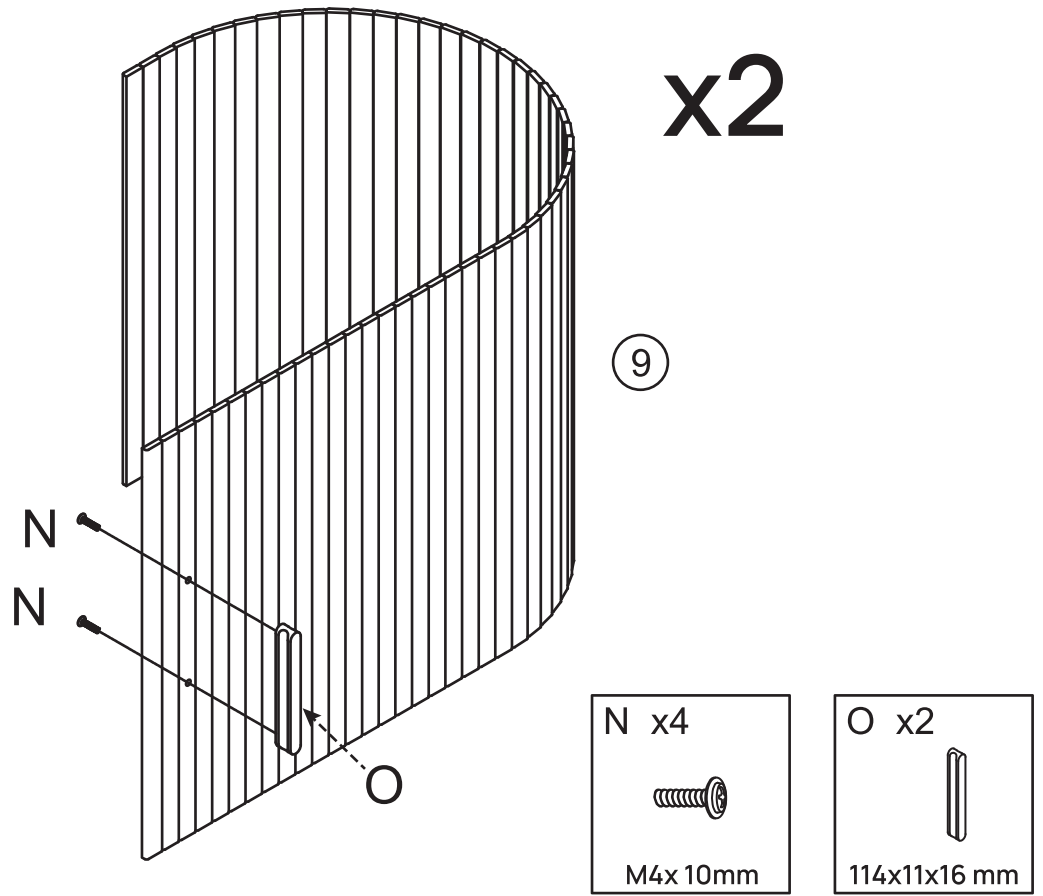
NOTE:
Tighten all Bolt (F and G) In the #17



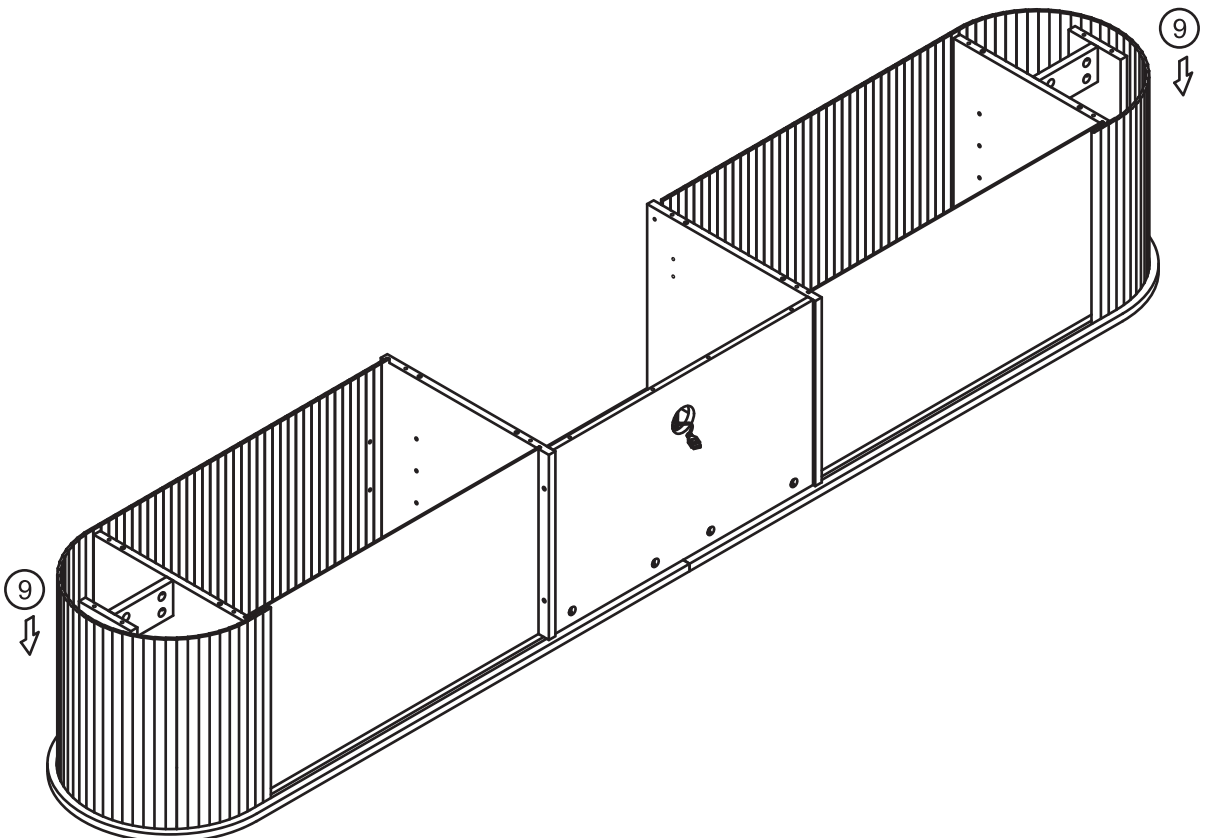
Step 12



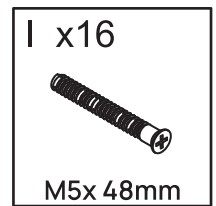
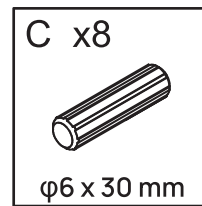
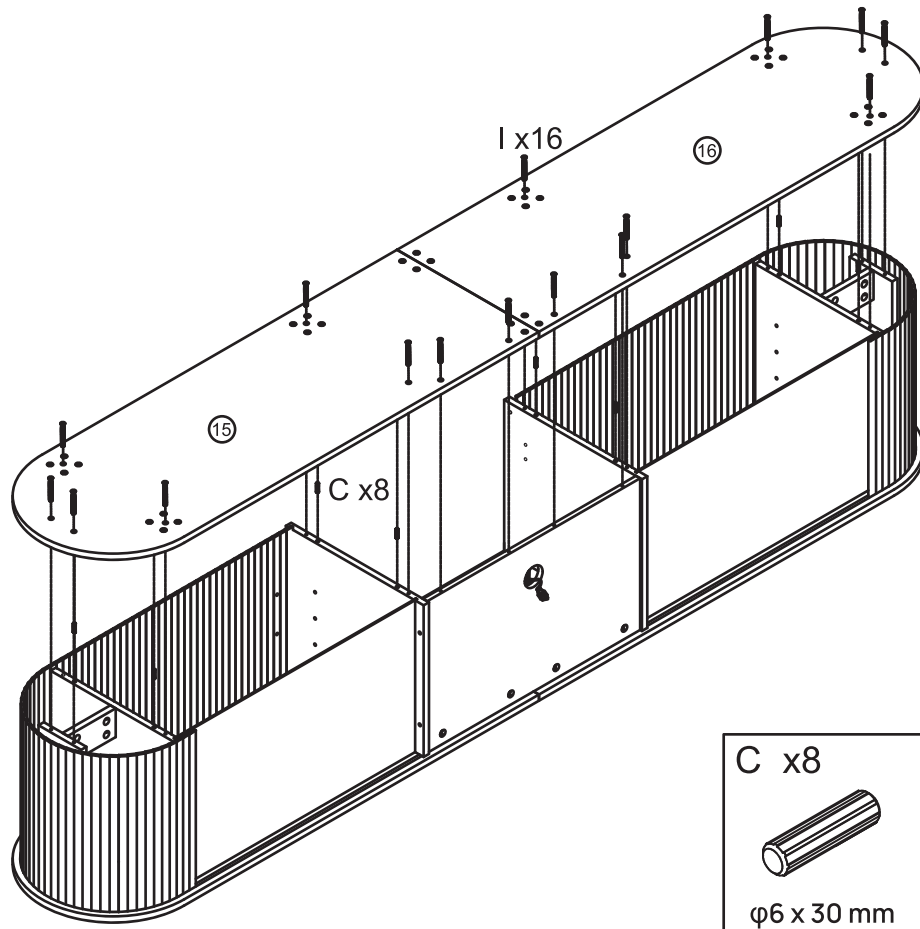
Step 13



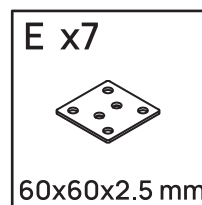
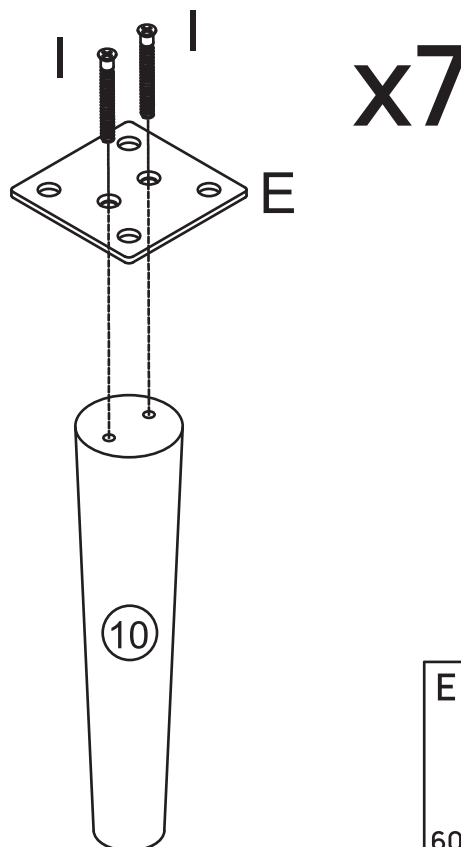
Step 14



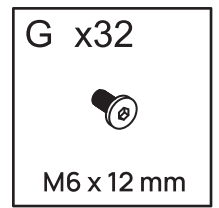
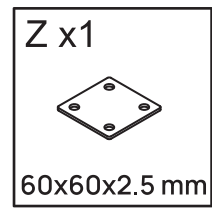
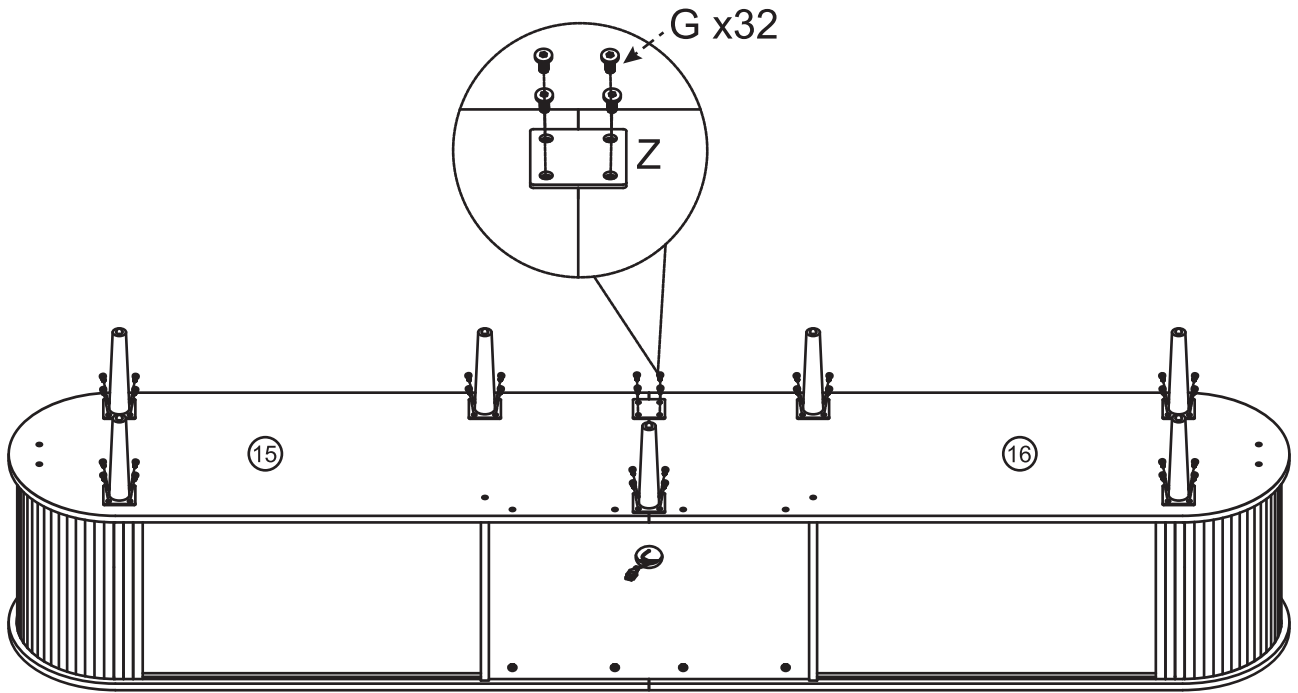
Step 15



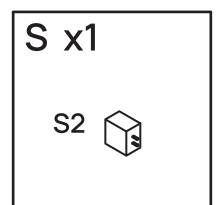
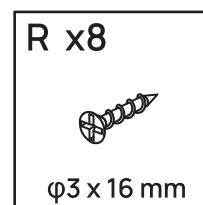
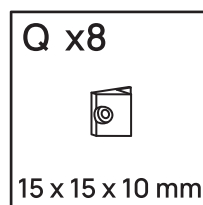
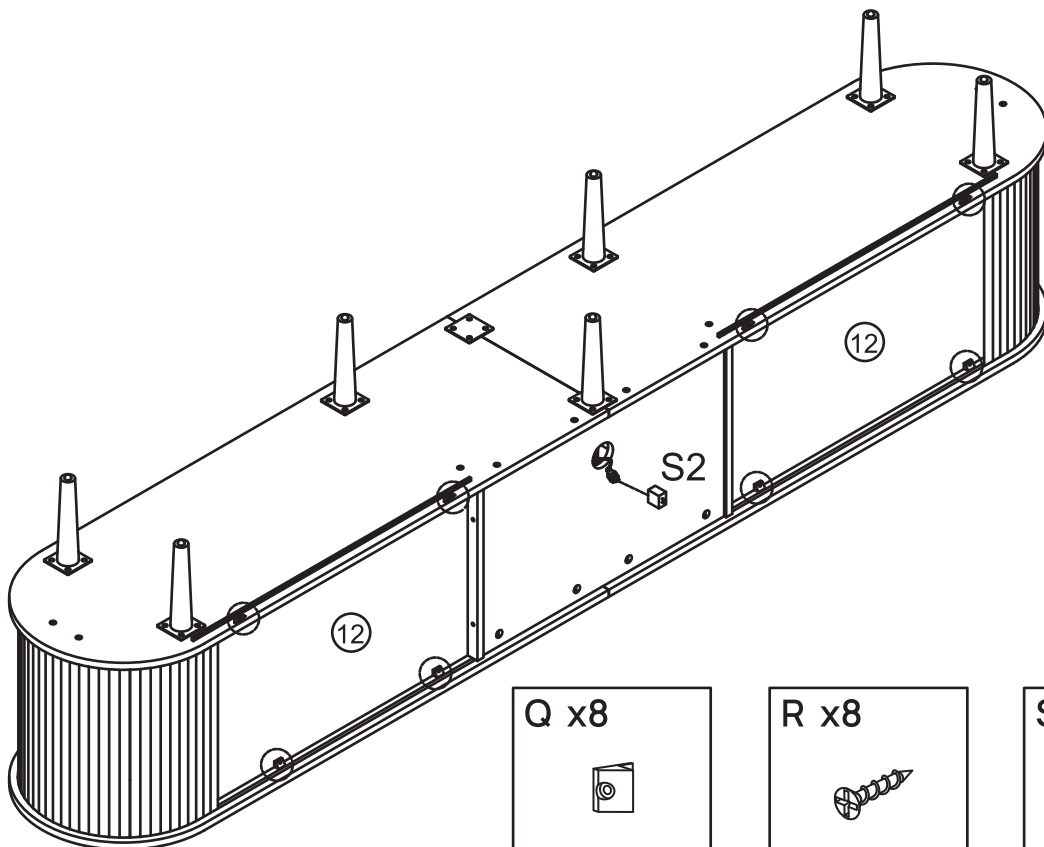
Step 16



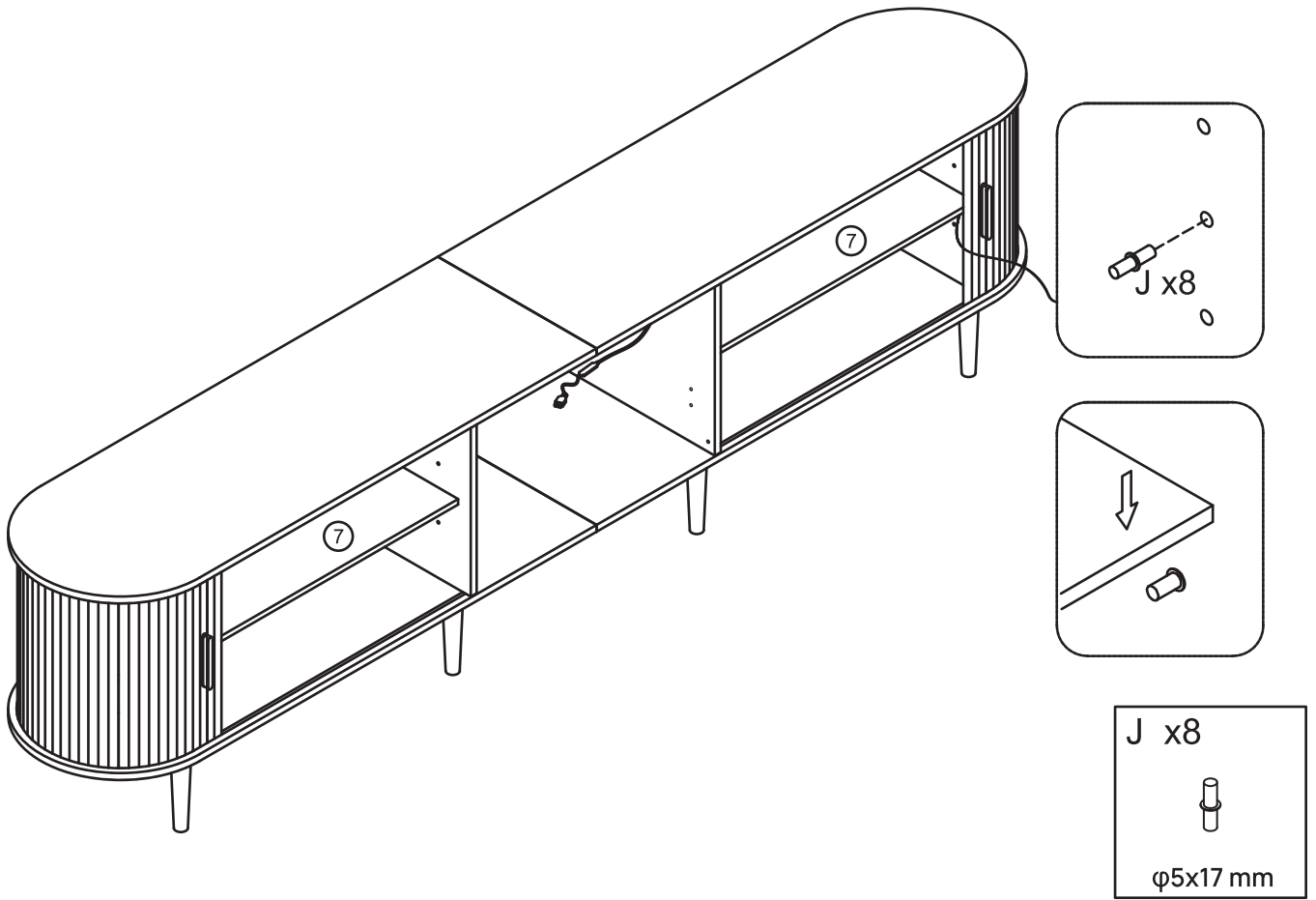
Step 17



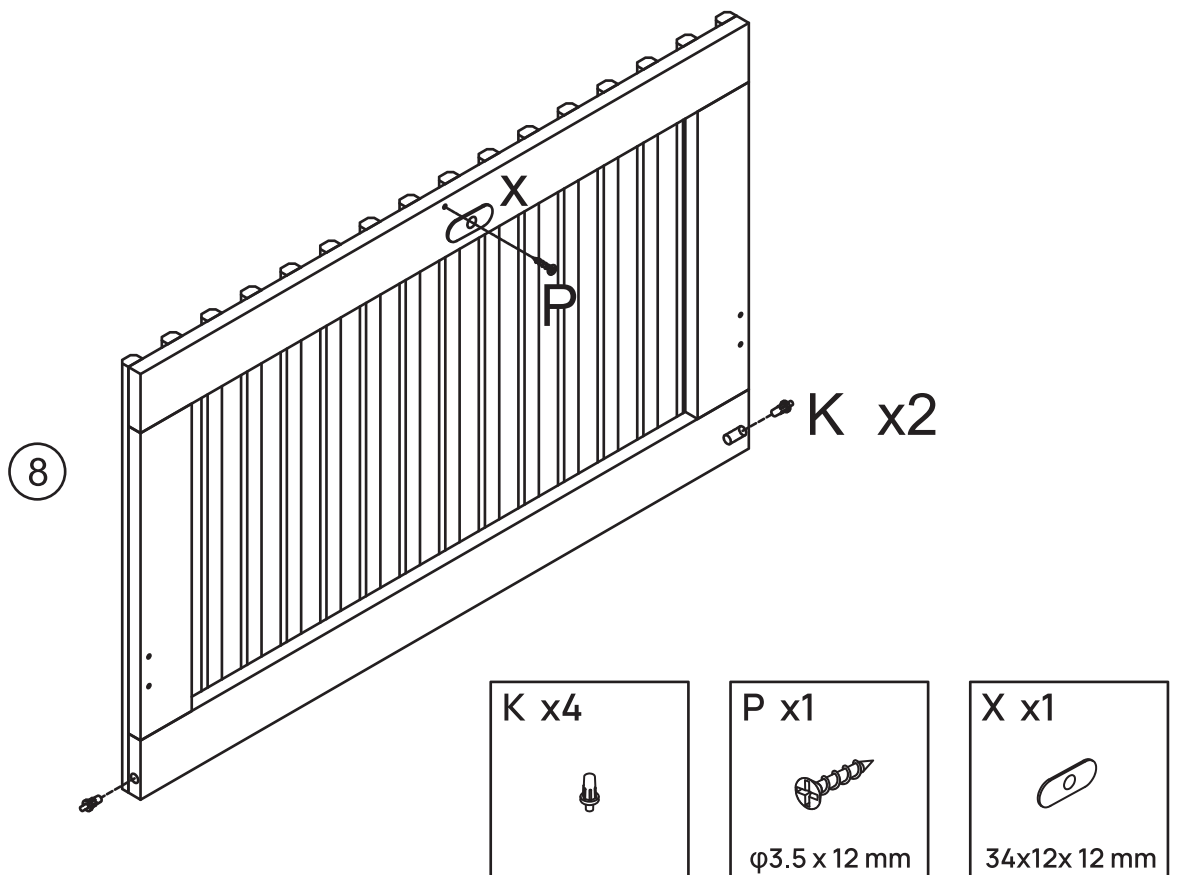
Step 18



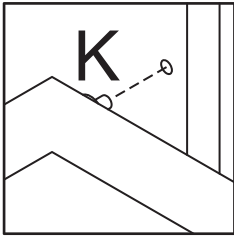
Step 19



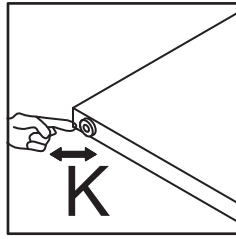
Step 20



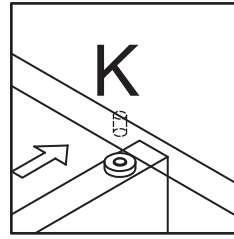
Step 21



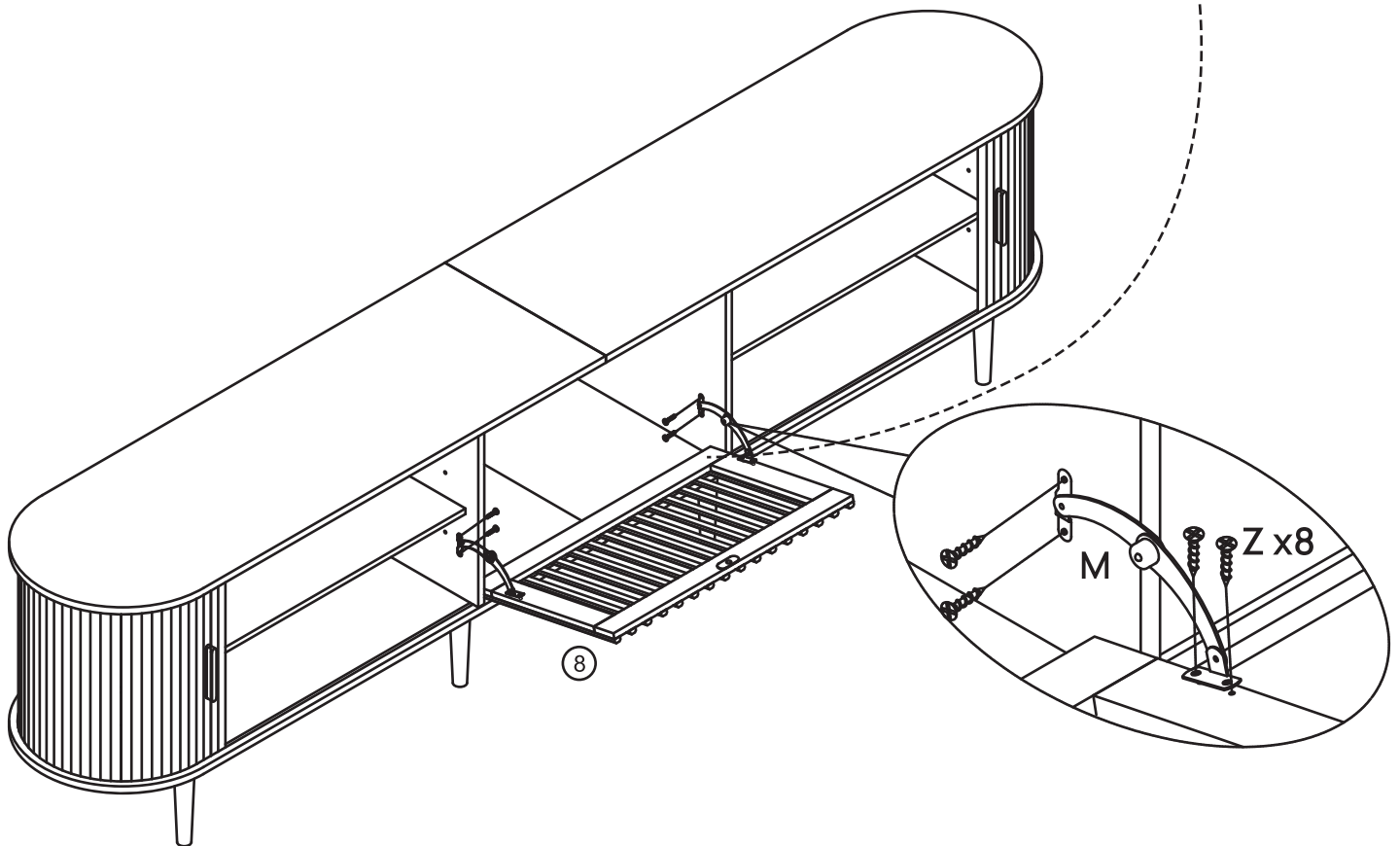
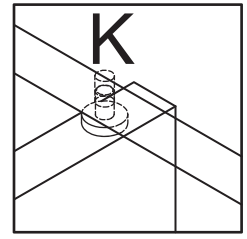
Step 1:
Insert hinge pin
into bottom hole.



Step 2:
Press down the hinge
pin and keep it in a
non ejected state.



Step 3:
Move horizontally to
slide the hinge pin
into the center hole.



L x1



M x1



P x8



φ3.5 x 12 mm

