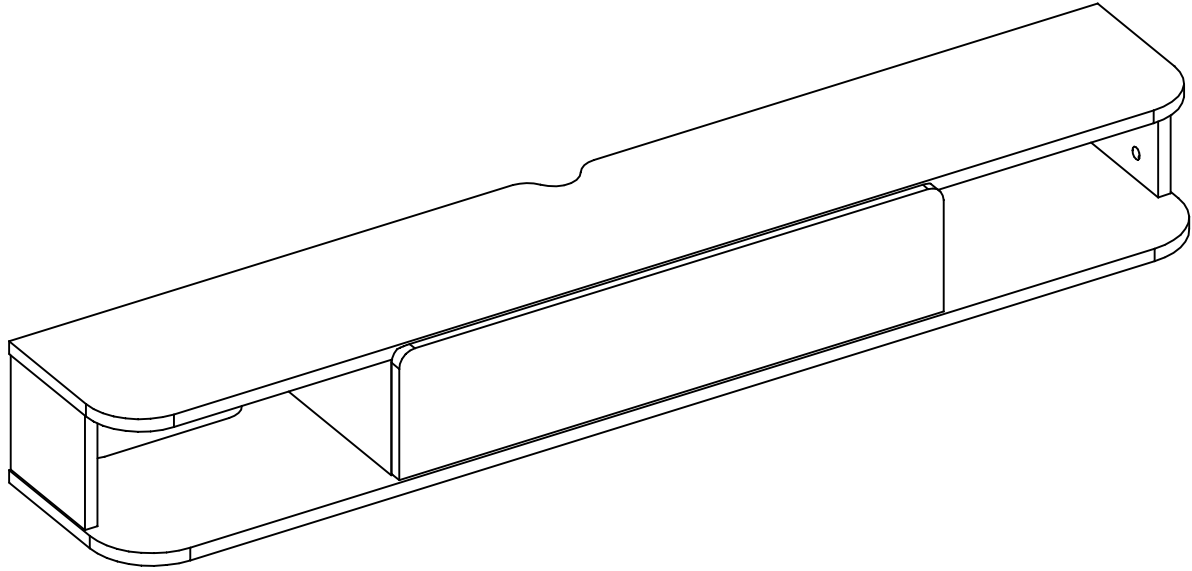
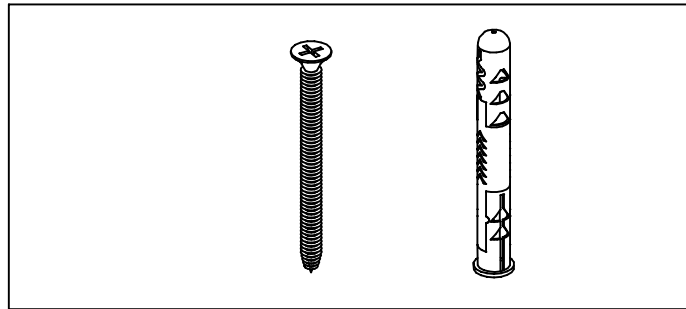


# Installation & Assembly



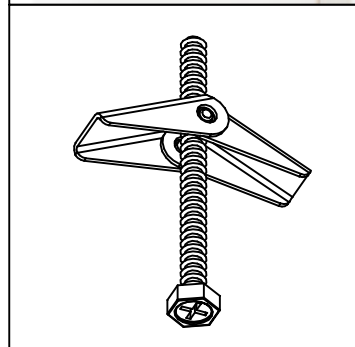
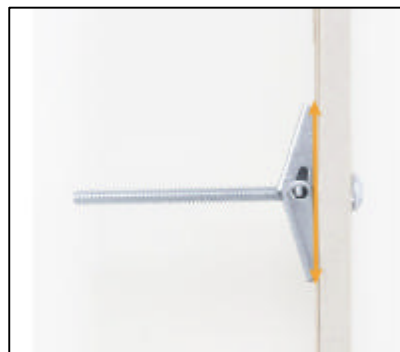
1. For solid brick walls, load-bearing walls, and fired hollow brick walls, we are equipped with 10mm wall fittings



If you have drywall, there are 2 methods for install on the wall:

1. To buy Toggle Bolts Anchors and Wing Nut Kit at your local grocery store or online instead of using the included screws.
2. If you know your studs space, or you have a stud finder, you can drill holes according to your studs space.

If you have any questions, please feel free to contact us directly, we will help you any time.



## Tools Included

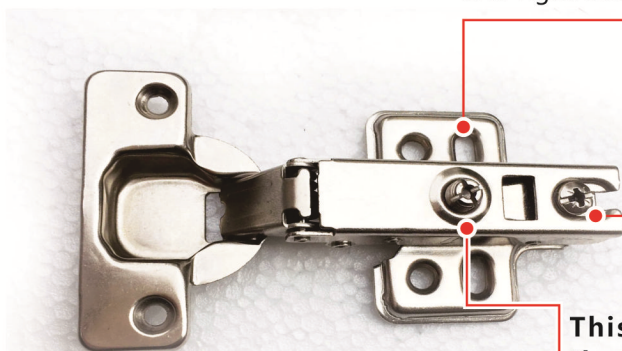


## Tools Required



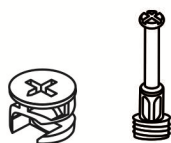
How to adjust the door hinge/hinge.

This screw of the door hinge can adjust the left and right clearance of the door



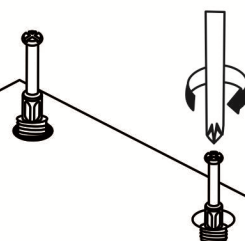
The screw on the door hinge can adjust the gap between the front and rear of the door panel and the side panel.

This screw on the door hinge can adjust the upper and lower clearance of the door panel.



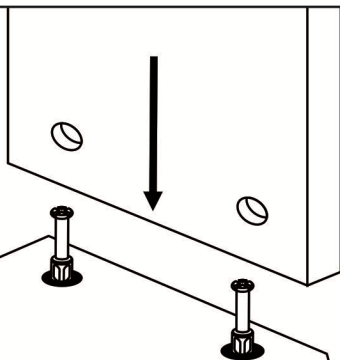
## Three-in-one fastener instructions

①



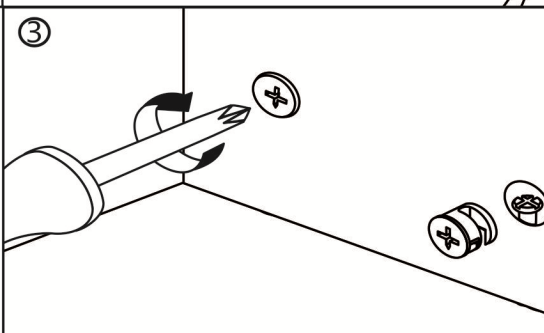
Put the screw into the corresponding hole and tighten it with a screwdriver.

②



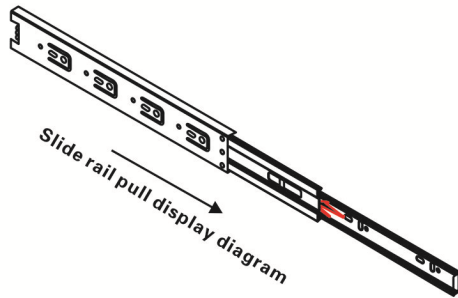
Install the corresponding plate on the orange screw plate.

③

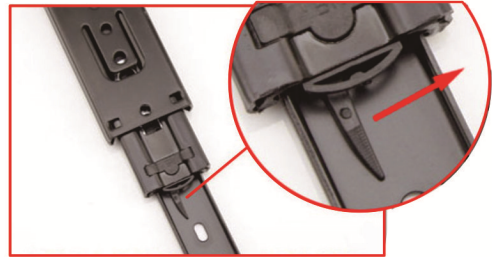


Put the screw buckle into the hole of the corresponding screw and tighten it with a screwdriver.

① Stretch the slide rail to the maximum.

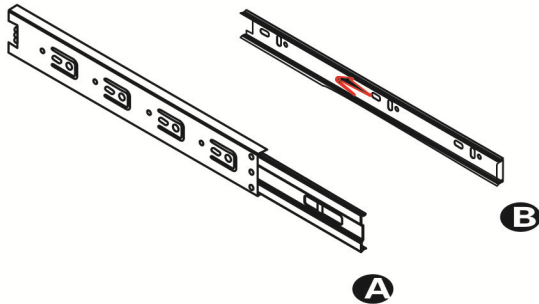


② Press and hold the button to remove the slide rail.

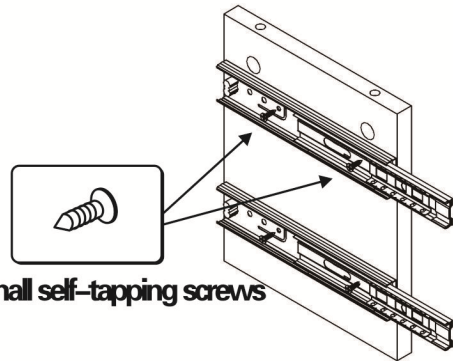


The rail can be removed by sliding in the direction of the arrow  
No tools required

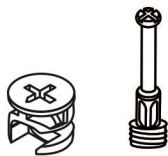
③ Fold the slide rail into two parts A \ B.



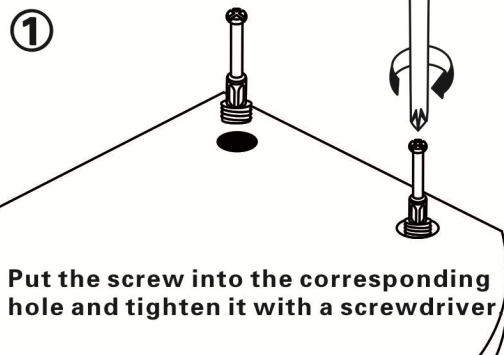
④ Fix **A** slide rail with small tapping screws No. 213 board.



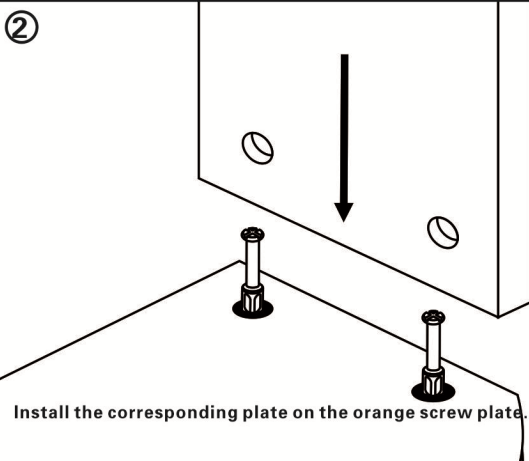
Small self-tapping screws



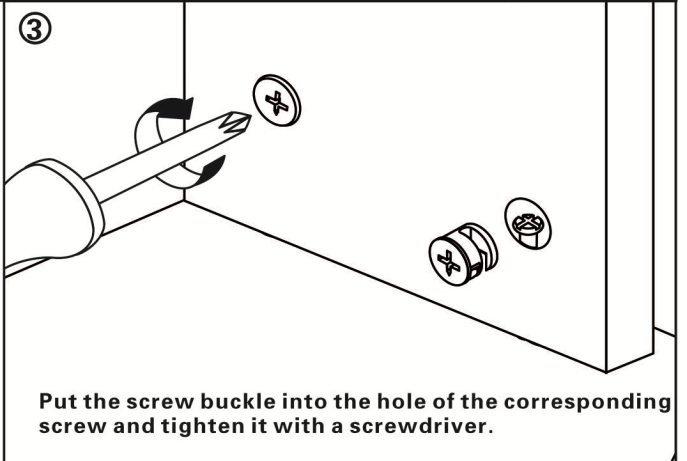
Three-in-one fastener instructions



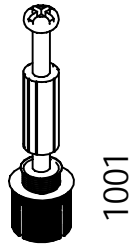
Put the screw into the corresponding hole and tighten it with a screwdriver



Install the corresponding plate on the orange screw plate.

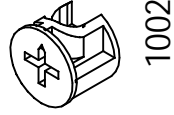


Put the screw buckle into the hole of the corresponding screw and tighten it with a screwdriver.



26x

1001



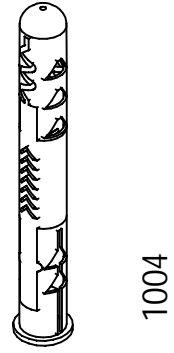
26x

1002



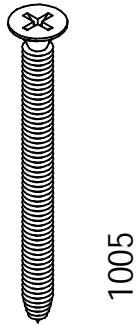
20x

1003



6x

1004



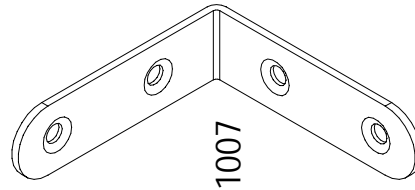
6x

1005



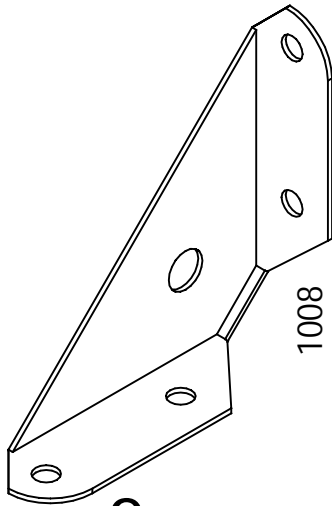
6x

1006



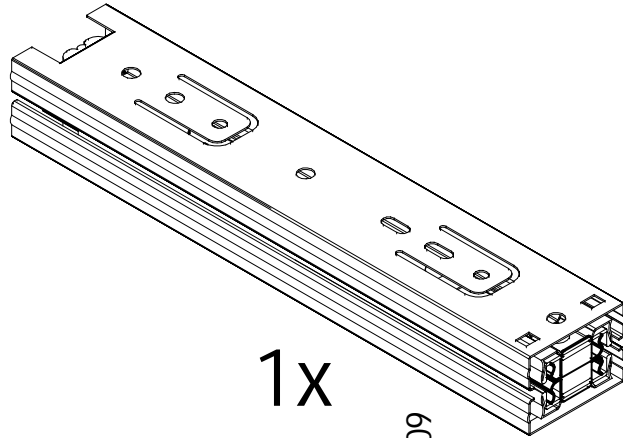
2x

1007



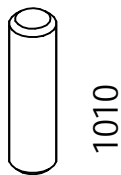
2x

1008



1x

1009

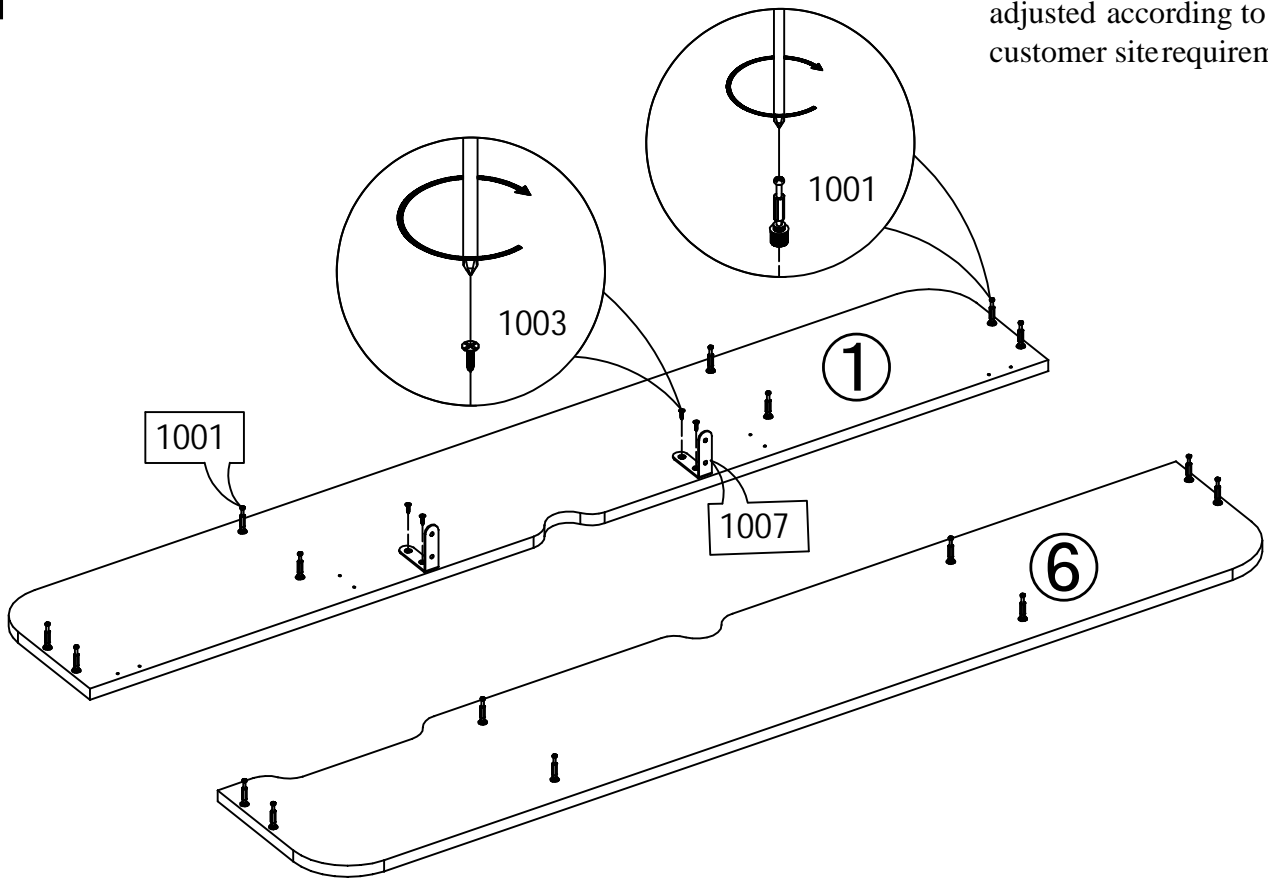


2x

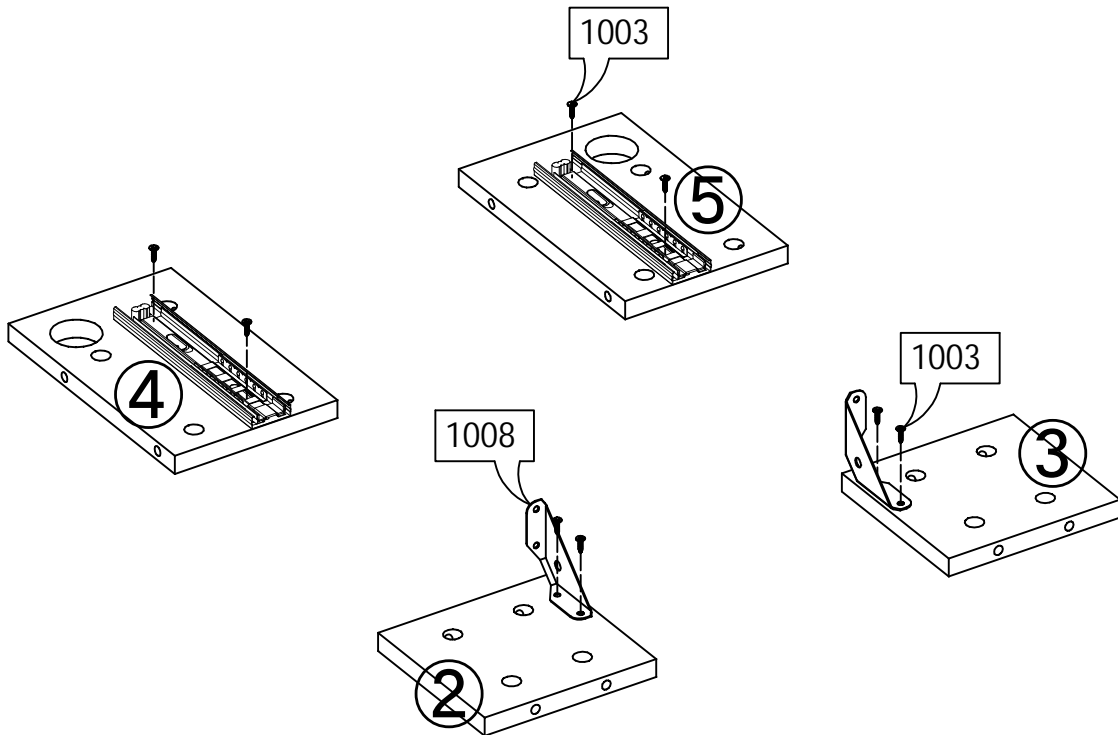
1010

# 01

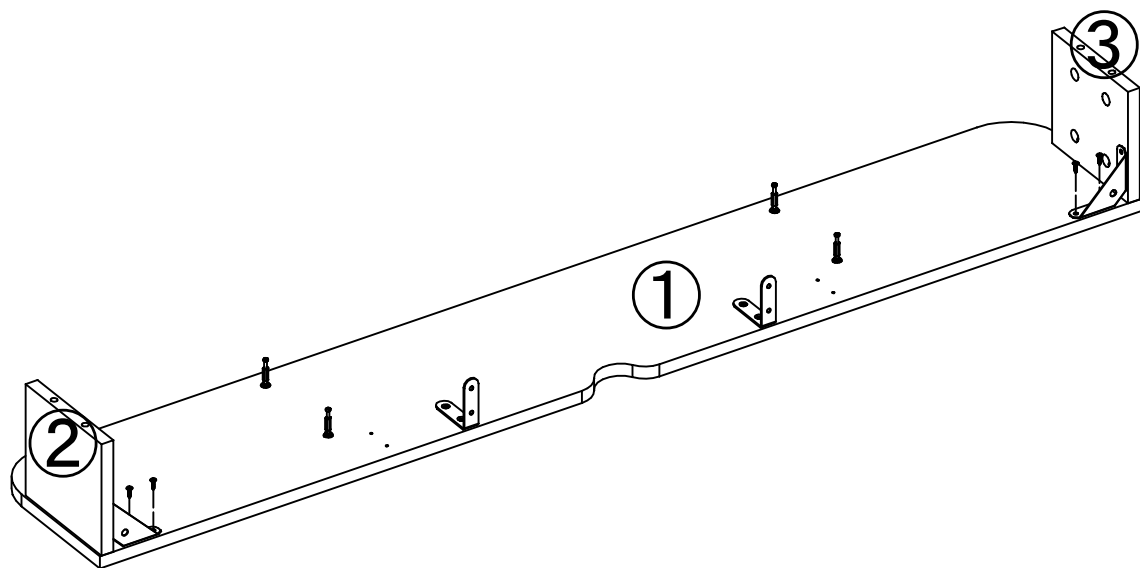
No. 7 accessories can be adjusted according to customer site requirements



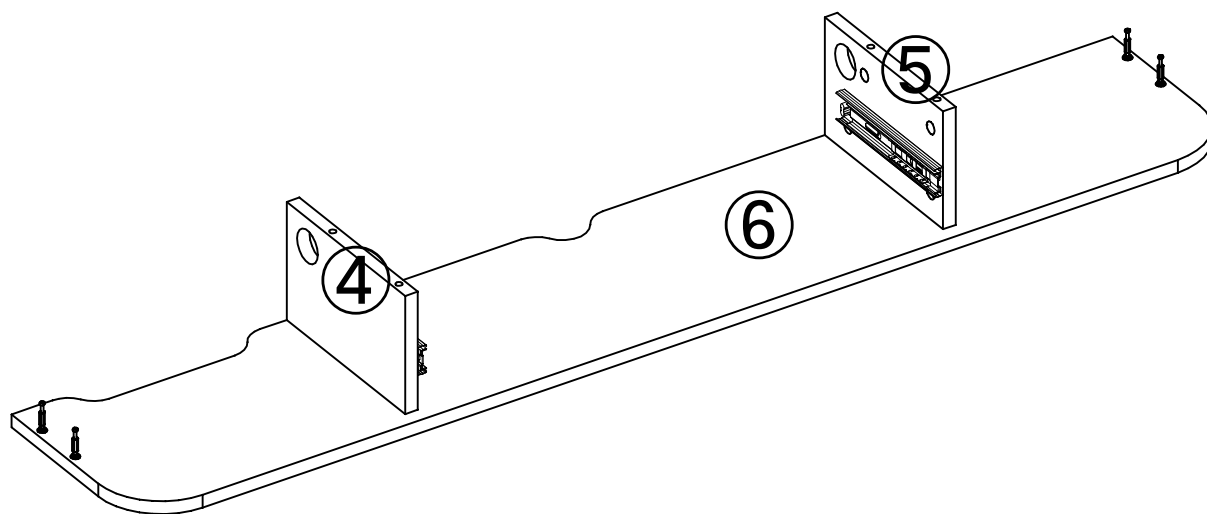
# 02



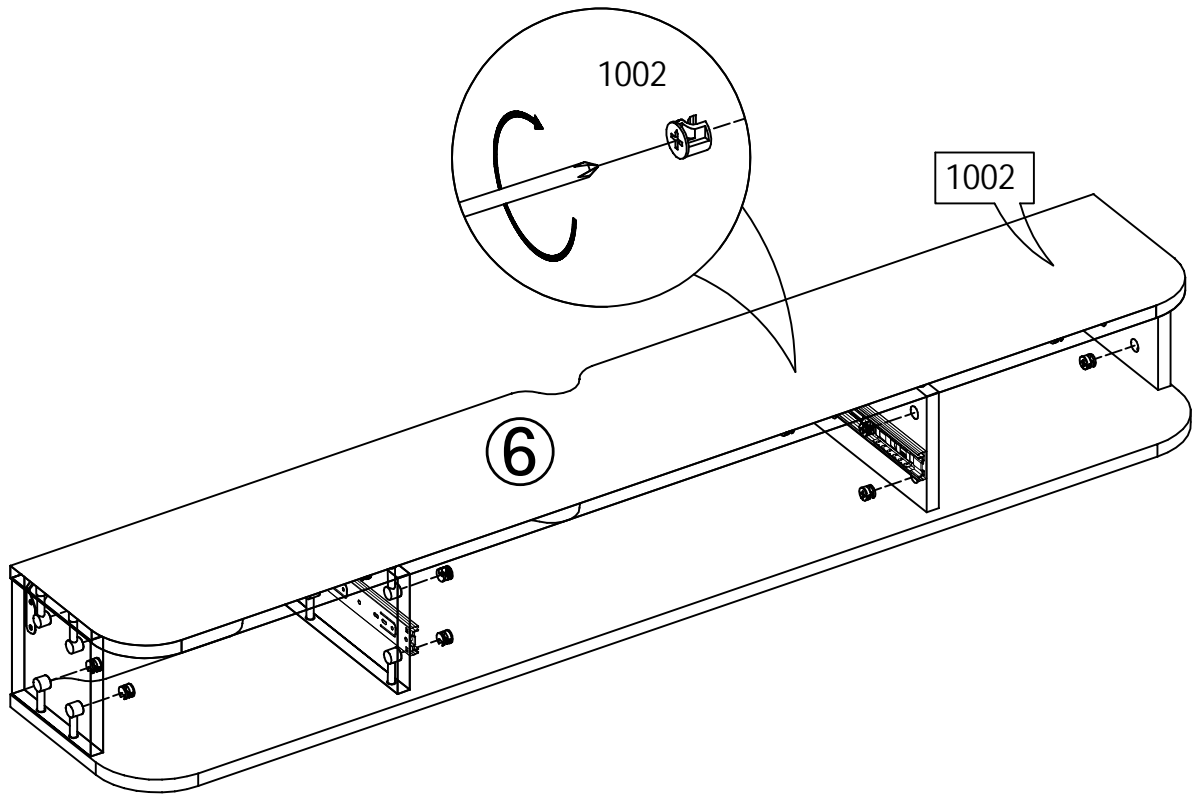
03



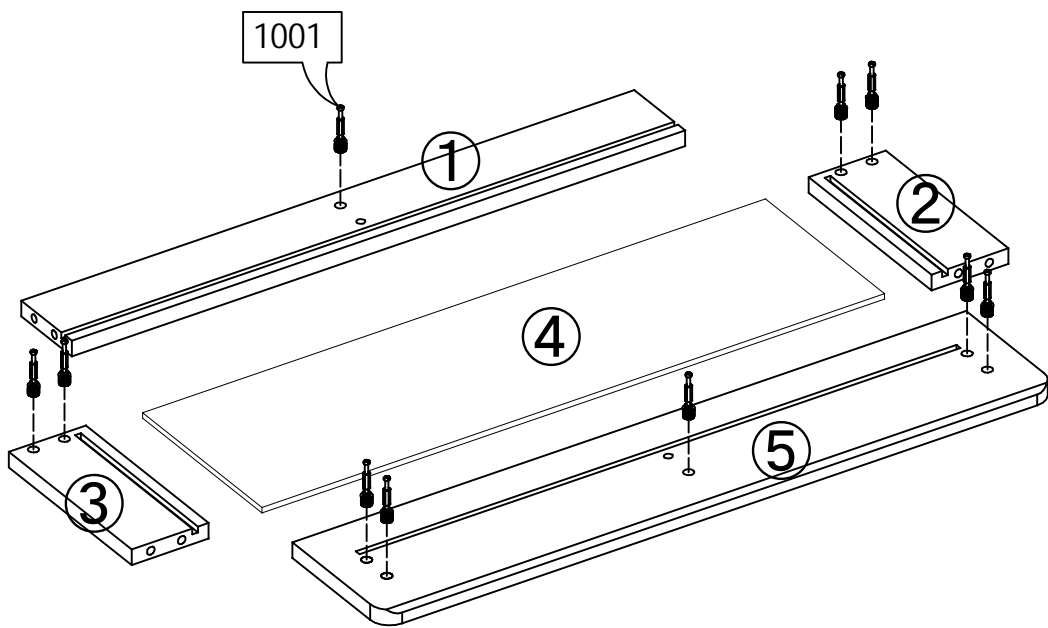
04



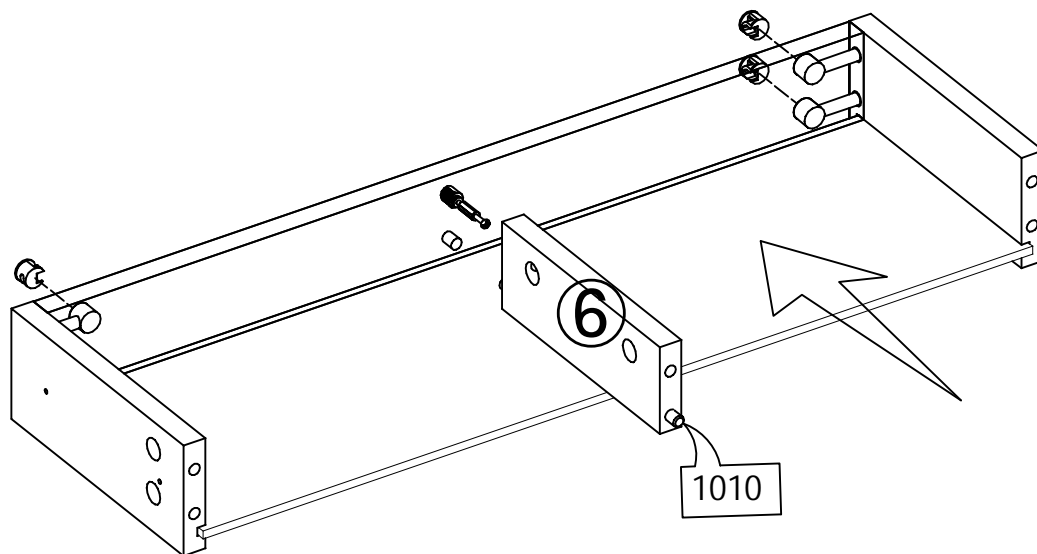
05



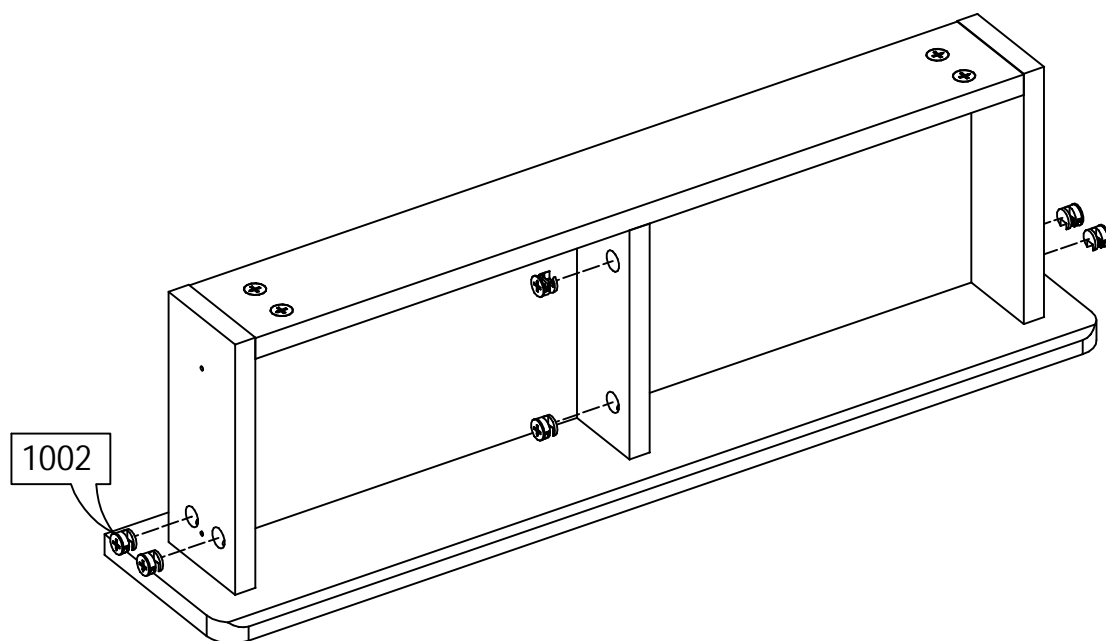
06



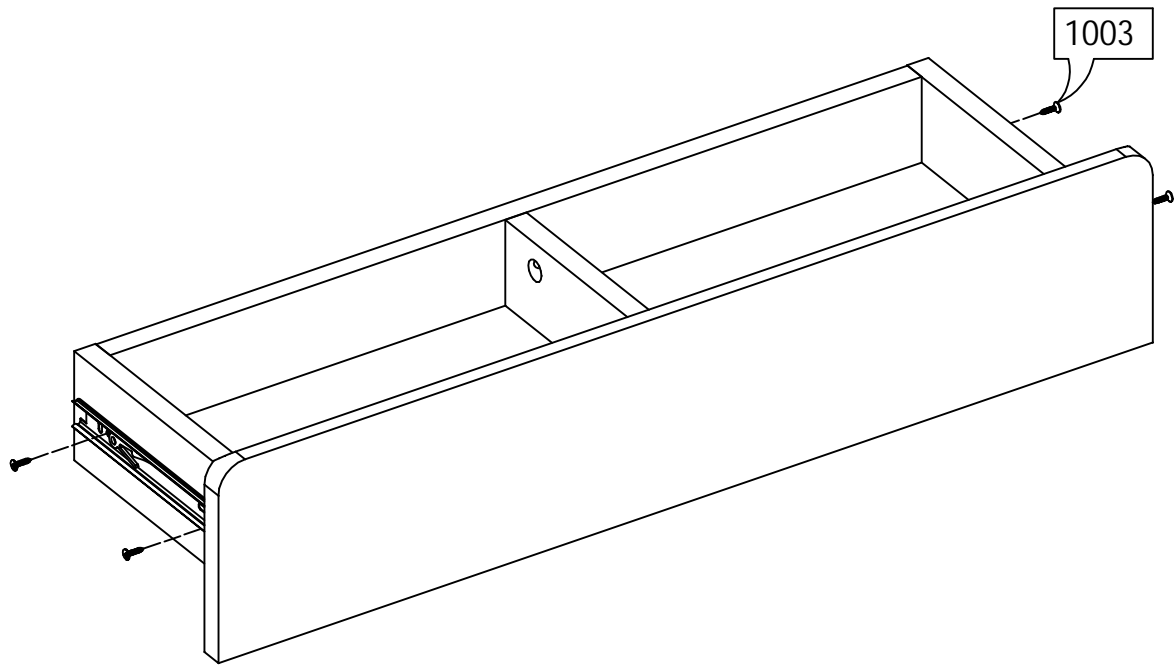
07



08

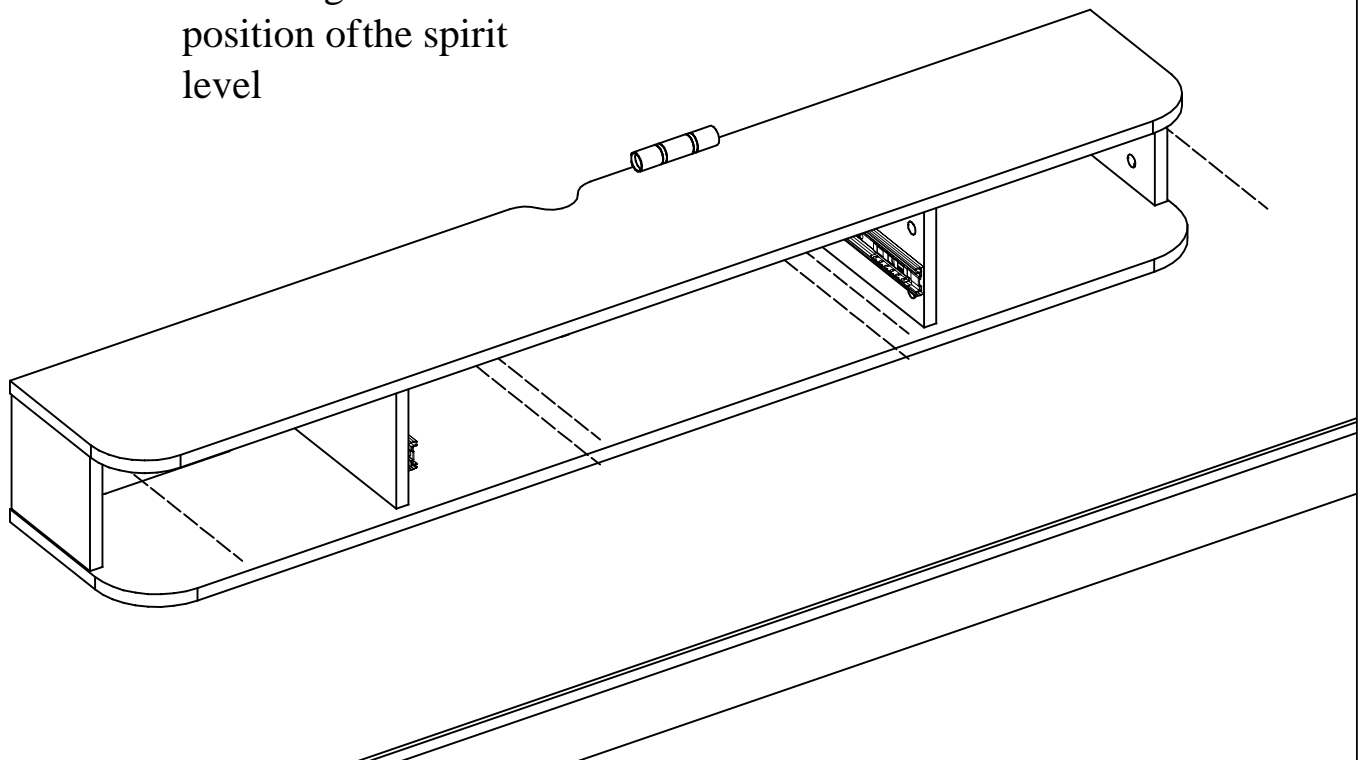


09



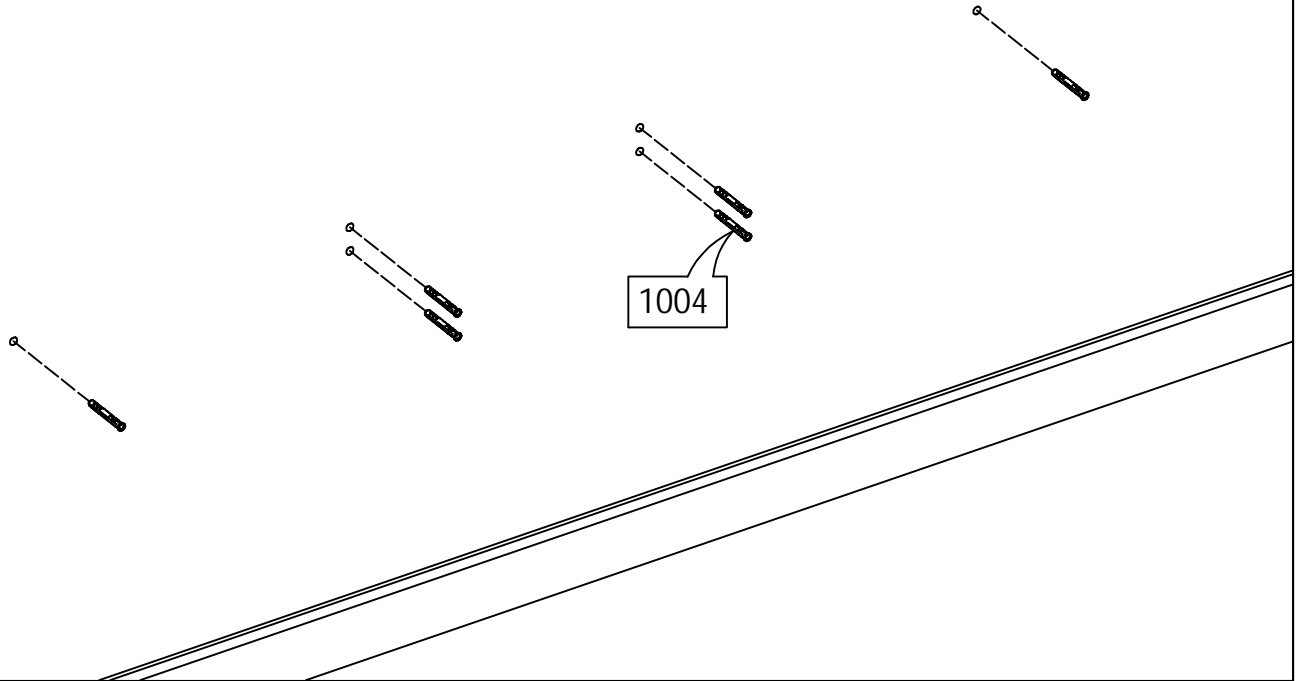
10

Locate the hole on the wall of the furniture according to the position of the spirit level

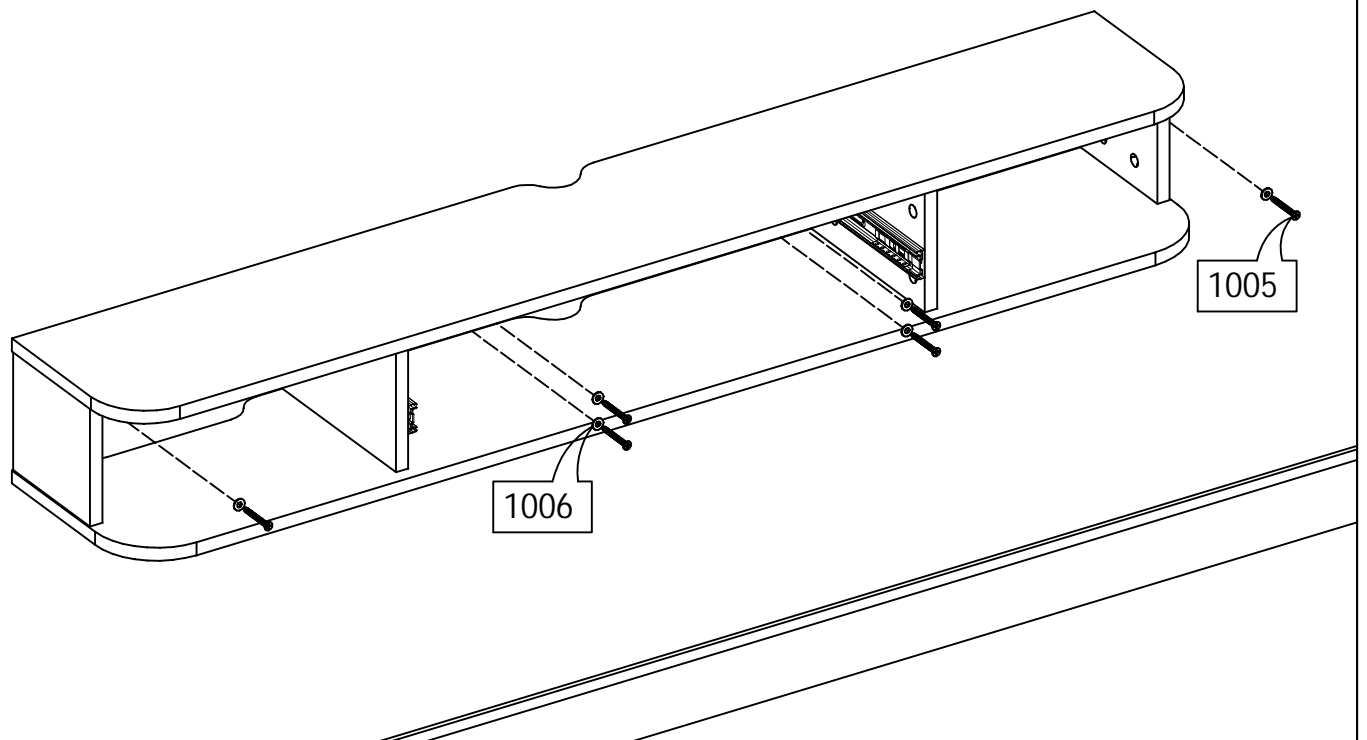


11

Make 8mm expansion holes on the wall



12



13

