

ASSEMBLY INSTRUCTIONS

SAFETY HANDLES

Serie STAINLESS STEEL G18 ø 32 mm




TESTED PRODUCT



RECYCLABLE PRODUCT

Thank you for purchasing this Ponte Giulio item. This product has been manufactured in respect of the environment and safety requirements.

Ponte Giulio S.p.a.
Località Ponte Giulio
05018 Orvieto (TR) ITALY
<http://www.pontegiulio.it/> - Info@pontegiulio.it
Tel.:+39 0763 316044 - Fax:+39 0763 316043

CODE		L In
G18UAS42	 L	12
G18UAS43		16
G18UAS44		18
G18UAS45		24
G18UAS47		30



= Read this manual carefully



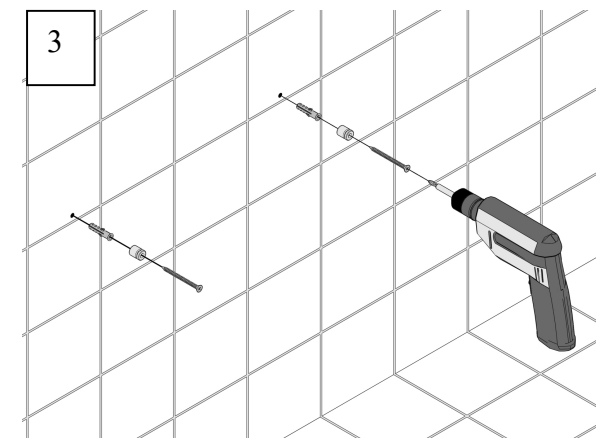
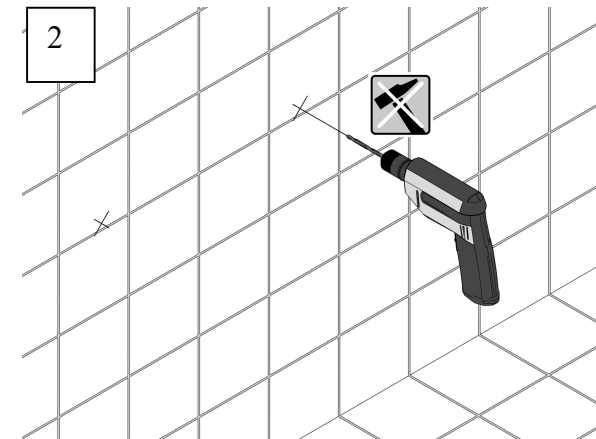
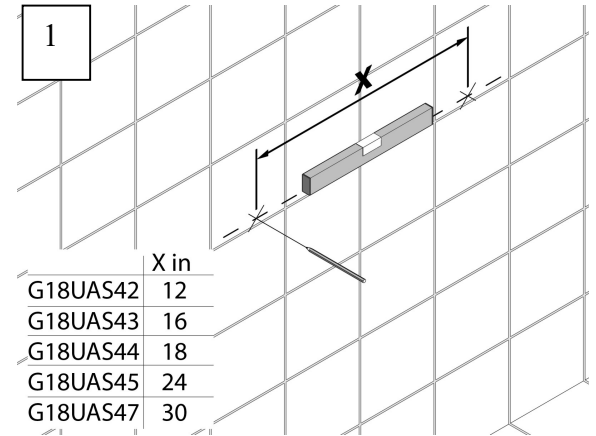
= No percussion

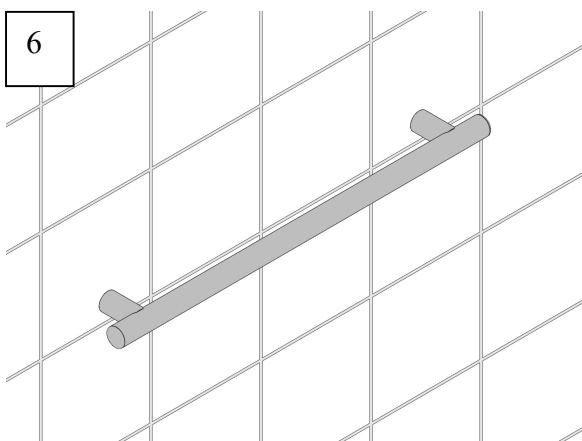
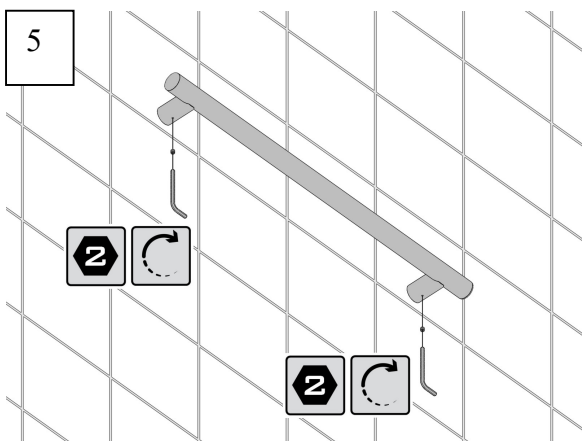
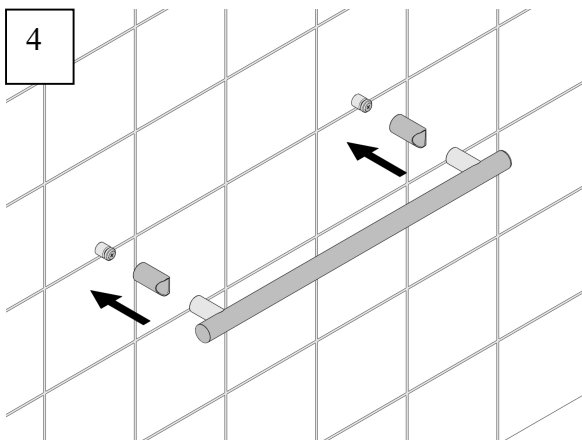


= 2 hexagonal key



= Towards clamping





FIELD OF APPLICATION

The device is a handle designed and constructed as a safety support for the sole purpose of facilitating use of the bathroom by elderly and/or disabled people. For correct use, the device must be kept free from any objects and must easily accessible.

Room temperature -5°C $+40^{\circ}\text{C}$.

SAFETY, PRECAUTIONS

The device must be installed by qualified personnel, who must choose the most adequate fixing elements for the various walls. The installers must ensure that the wall surface in the area of the fixing flange is perfectly flat, without joints or protruding tiles, that the wall structure is suitable for fixing the device, and that there are no weak points, underlying electric wiring or water supply pipes. After installation simulate one or more usage tests. Ponte Giulio shall not be held responsible for improper installation of the device.

MAINTENANCE

Periodically check the device's stability.

CLEANING

Use a damp cloth wetted with neutral liquid soap and/or other sanitising product. Do not use abrasive liquid detergents containing chlorine, strong acids or bases, concentrated solvents, such as acetone and trichloroethylene and derivatives, which do not improve the sanitising action, and may cause the materials to dull and deteriorate. Do not use warm air sources for drying.

DISPOSAL

The user is responsible for disposal, which must be carried out in compliance with the laws of the country of installation. The devices are not manufactured using substances that are harmful or hazardous to human health and the environment, and all their components are recyclable and/or reusable. In order to protect the environment, the device is manufactured with materials comprising some recycled elements.

For further information, please visit our website or contact our dealer nearest to you.