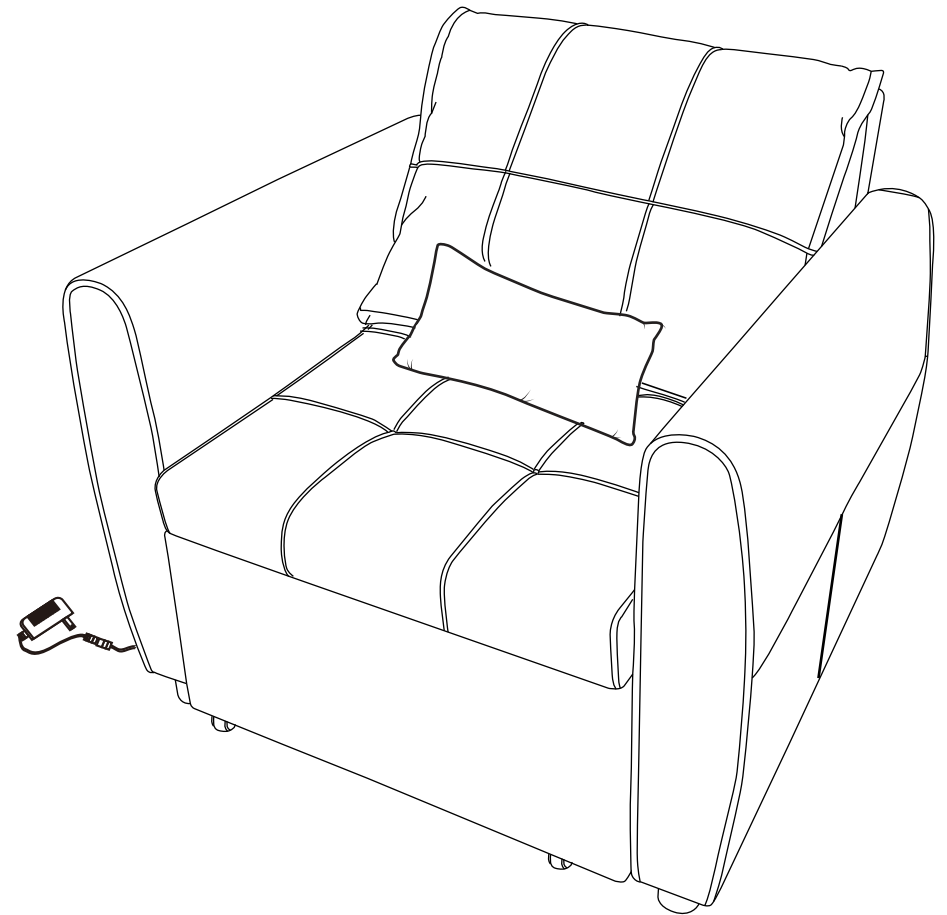


SLEEPER CHAIR PULL OUT BED ASSEMBLY INSTRUCTIONS

YSPB001 SERIES



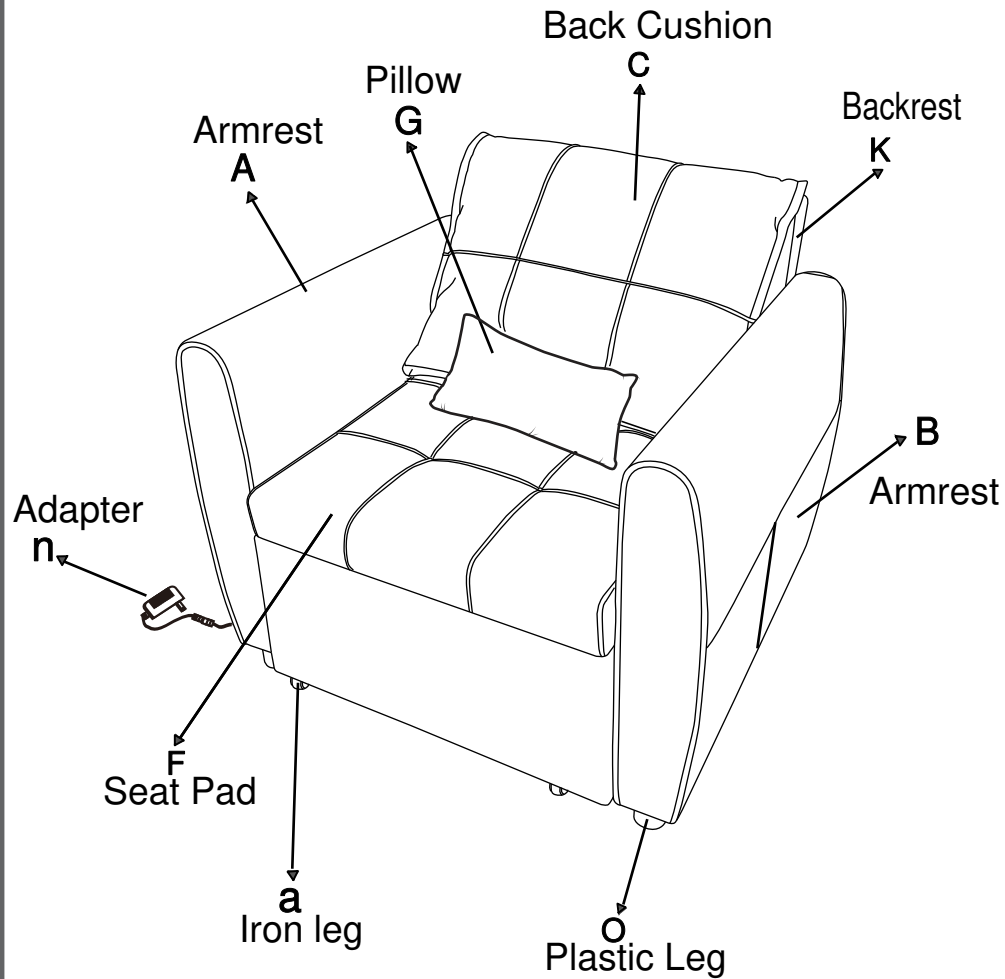
ATTENTION

1. This chair comes with 1 box, please check the parts list and hardware list carefully to make sure you've received all parts.
2. If there are any missing parts, please contact us with the missing part and the missing part number, we'll resend them to you ASAP.
3. If there are any damaged parts, please contact us with clear picture or clear video, we'll offer you the best solution after confirming it.

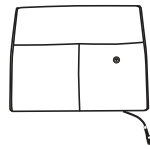
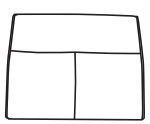
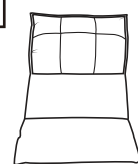
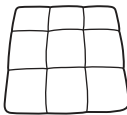
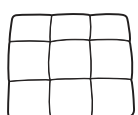
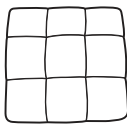


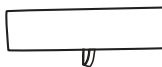

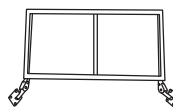

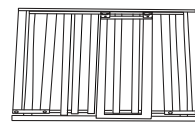
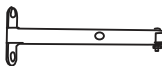
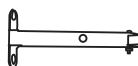


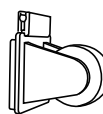


CONTACT INFORMATION

If you order our product on Amazon/Walmart/Wayfair etc., please log in your Amazon/Walmart/Wayfair account to contact us.
If you order our product on Shopify, please contact us at **serviceteam@yalissey.com**. Our service team will reply within 24 hours.




ASSEMBLY INSTRUCTIONS



Parts List

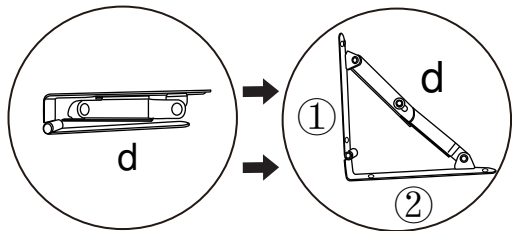
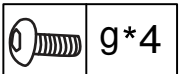
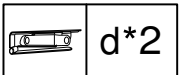
A 	B 	C 	D 	E 
Right - 1PC	Left 1PC	1PC	1PC	1PC
F 	G 	H 	I 	J 
1PC	1PC	1PC	1PC	1PC
K 	L 	M 	a 	b 
1PC	1PC	1PC	2PCS	2PCS
d 	f 	i 	j 	n 
2PCS	4PCS	2PCS	2PCS	1PC

Hardware List

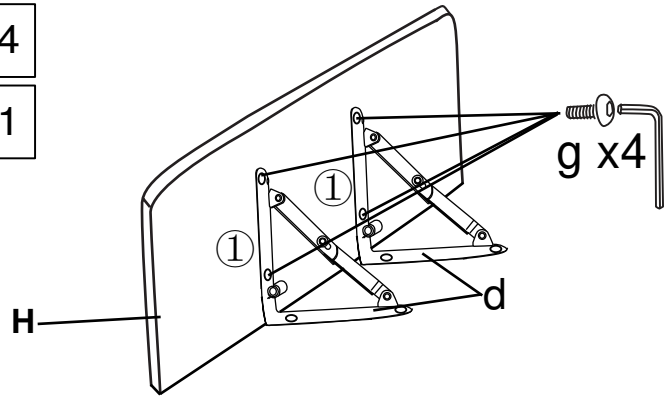
g 	h 	m 		
M6X12mm	M6X45mm			
36PCS	3PCS	1PC		

ASSEMBLY INSTRUCTIONS

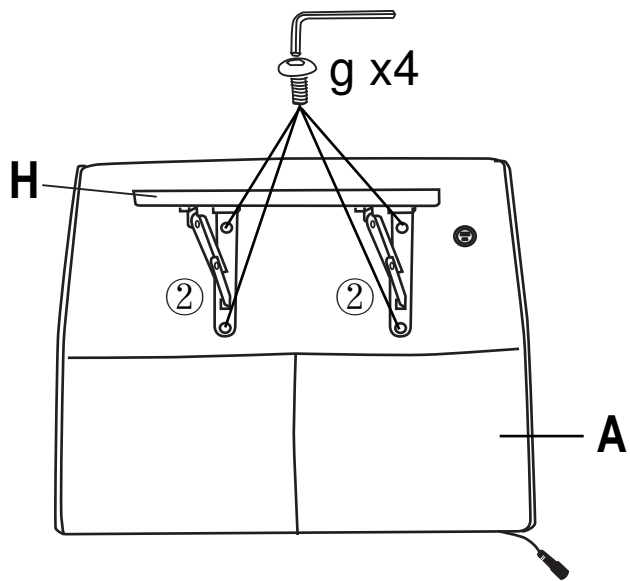
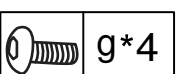
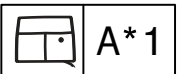
STEP 1



Unfold the part d as shown in the picture.

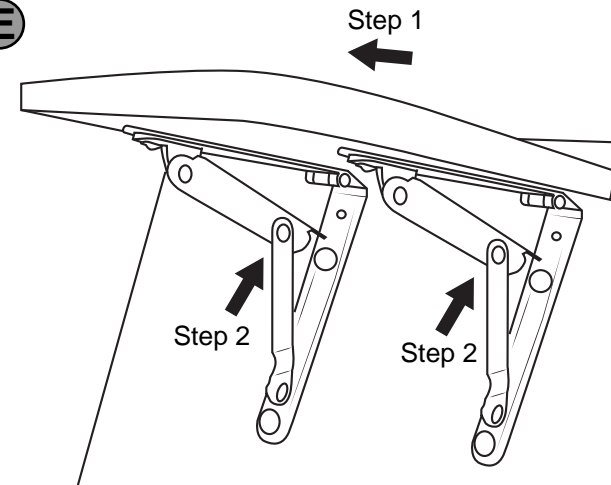


STEP 2



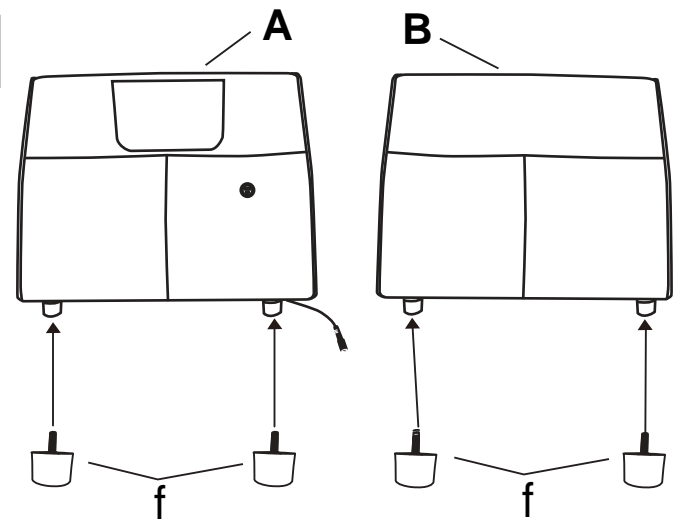
ASSEMBLY INSTRUCTIONS

NOTICE



The way to put away the writing board
First, pull the board outward, then press the position shown in the picture with both fingers simultaneously.

STEP 3



ASSEMBLY INSTRUCTIONS

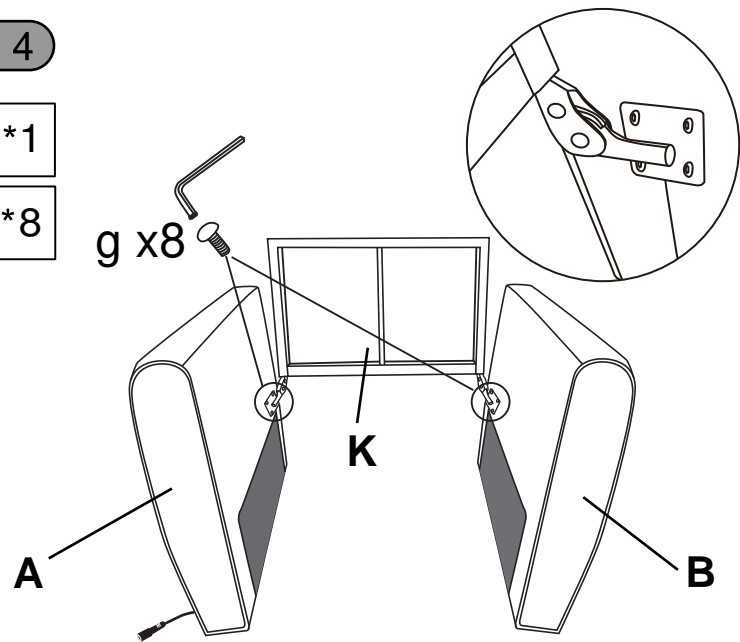
STEP 4



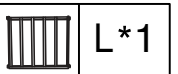
K*1



g*8



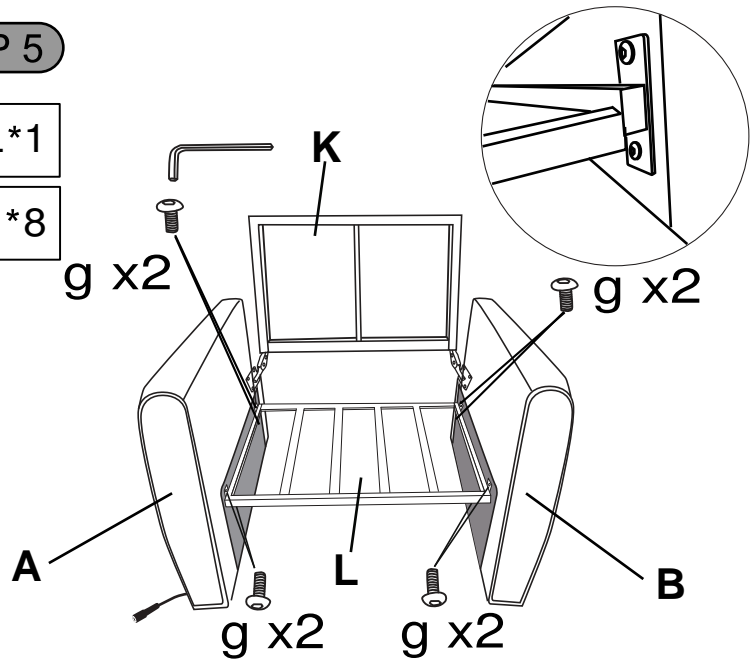
STEP 5



L*1



g*8

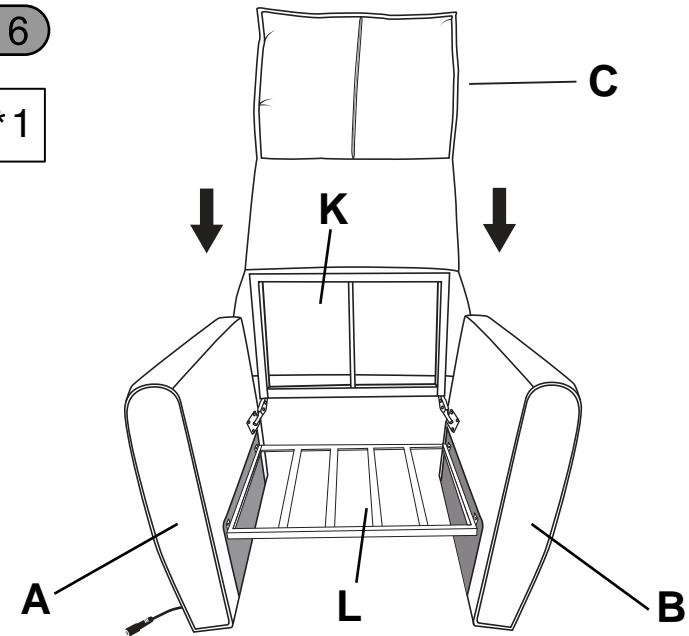


ASSEMBLY INSTRUCTIONS

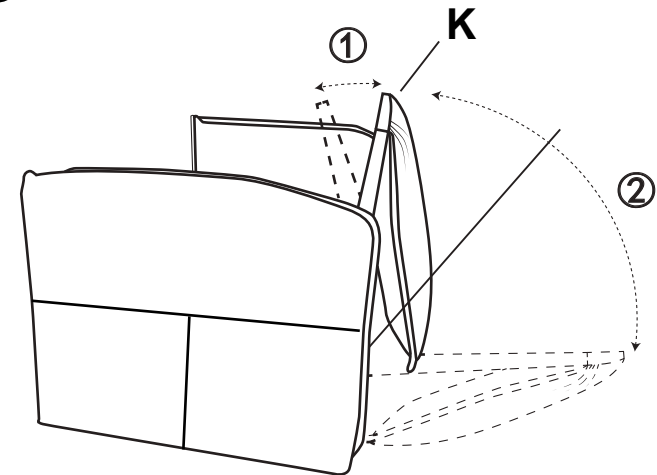
STEP 6



C*1



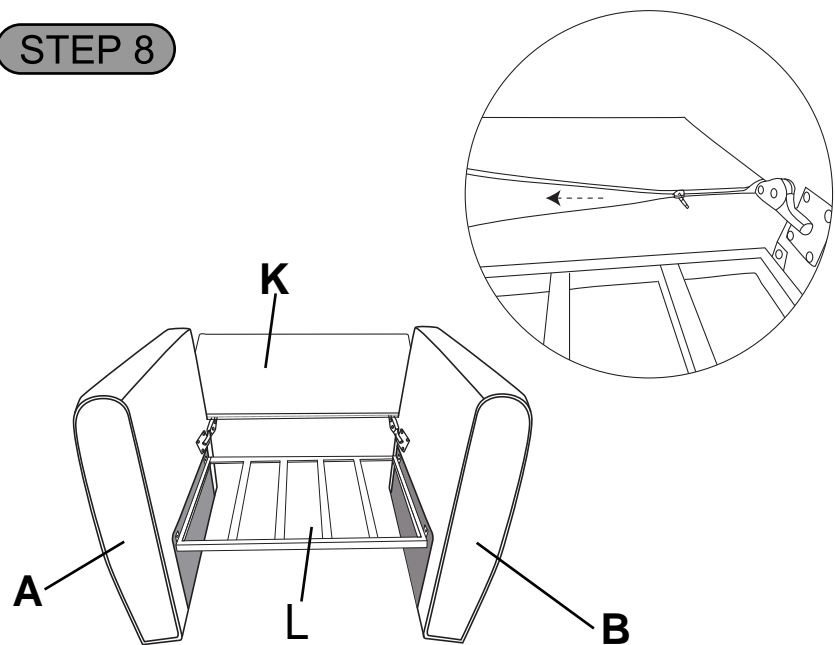
STEP 7




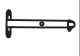


Please push the backrest forward and then pull it back to make it flat.

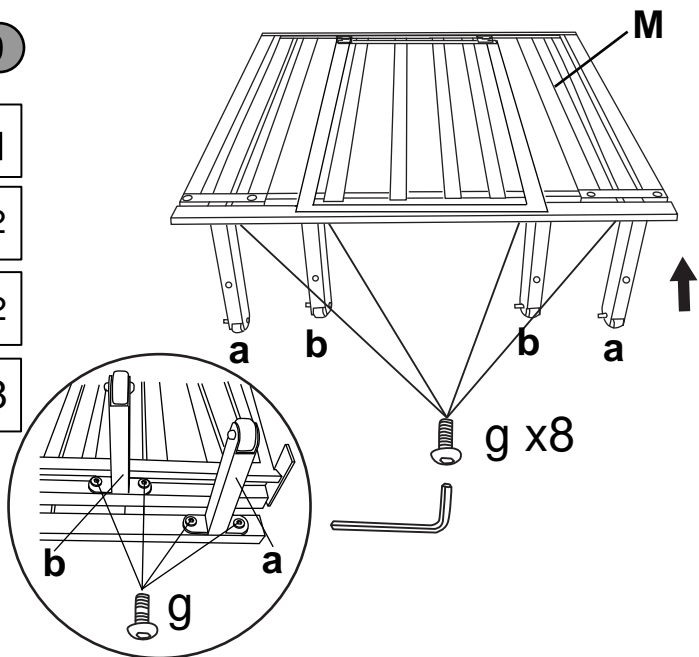
ASSEMBLY INSTRUCTIONS

STEP 8



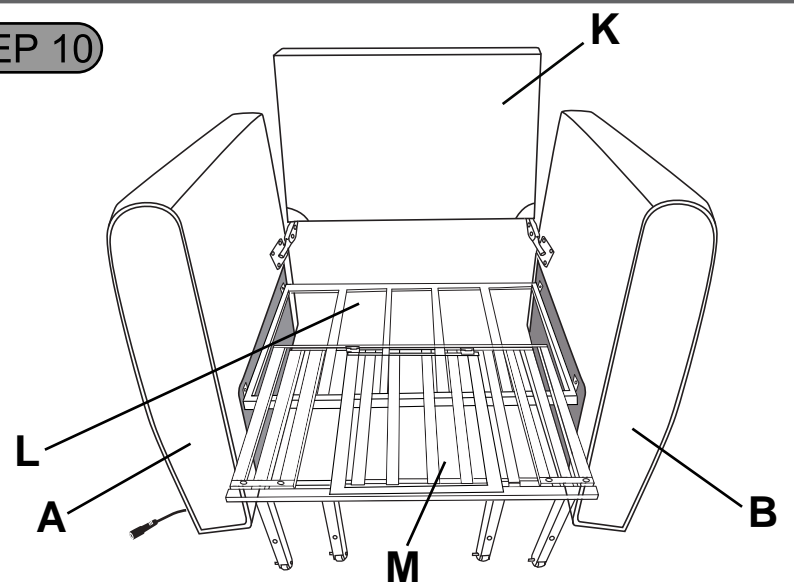
STEP 9

-  M*1
-  a *2
-  b *2
-  g *8



ASSEMBLY INSTRUCTIONS

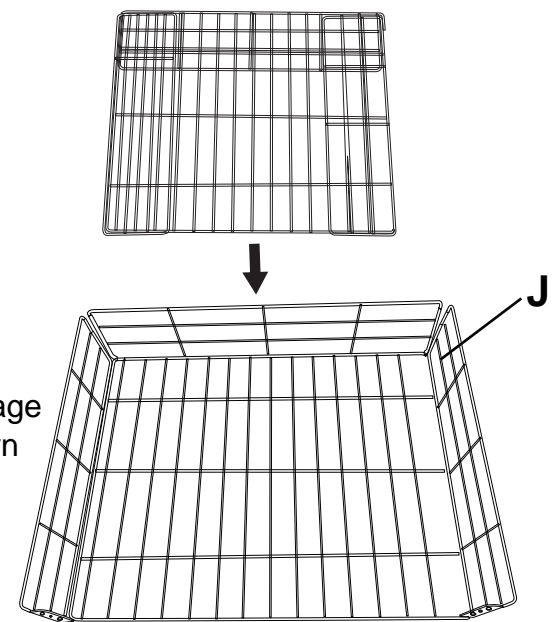
STEP 10



Please put part M on part L.

STEP 11

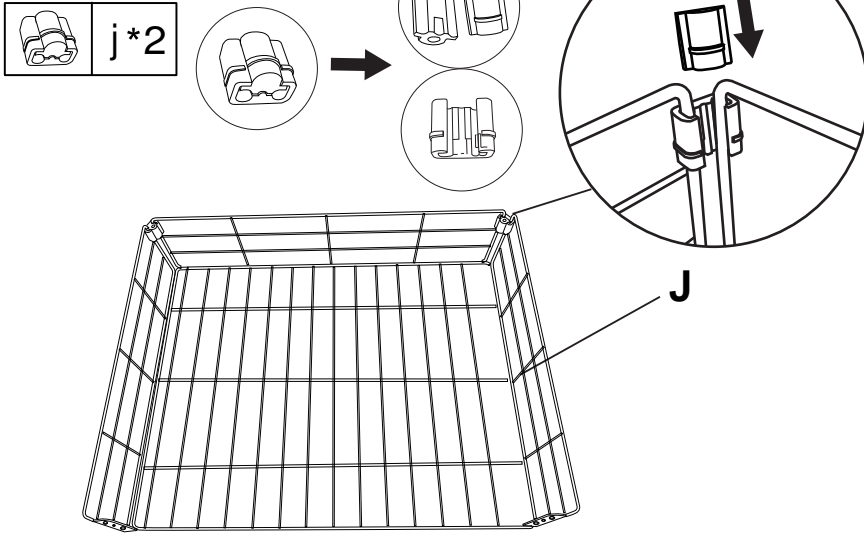
-  J *1



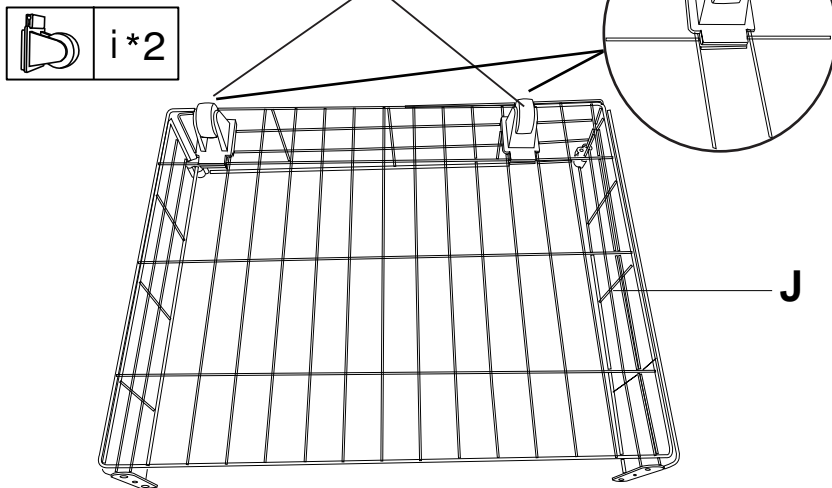
Unfold the storage basket as shown in the picture.

ASSEMBLY INSTRUCTIONS

STEP 12



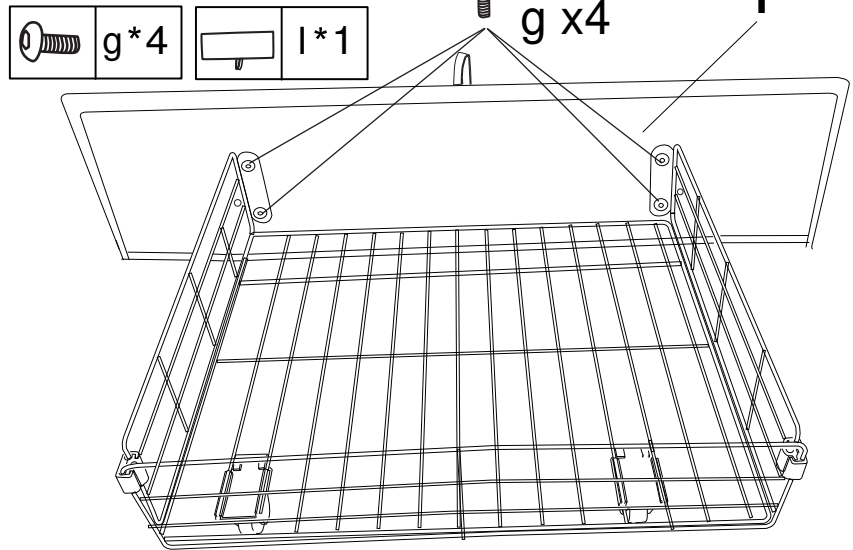
STEP 13



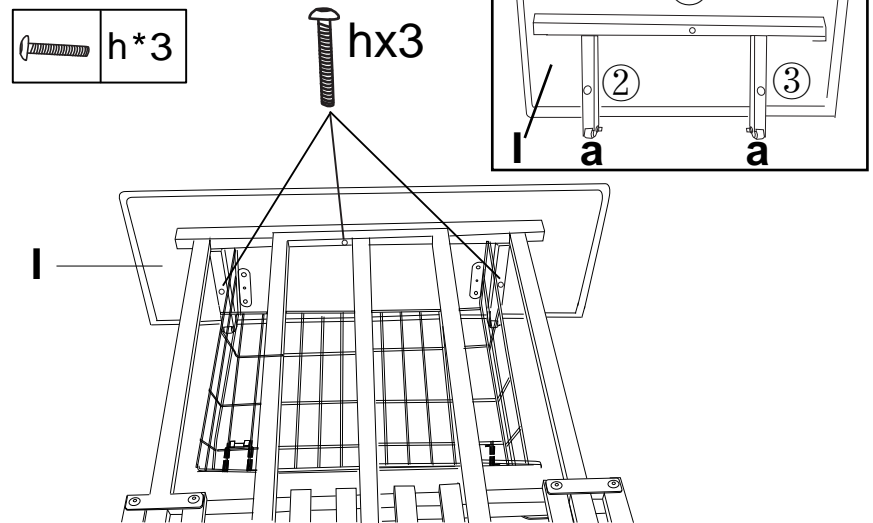
Please flip part J over with the bottom facing up.

ASSEMBLY INSTRUCTIONS

STEP 14

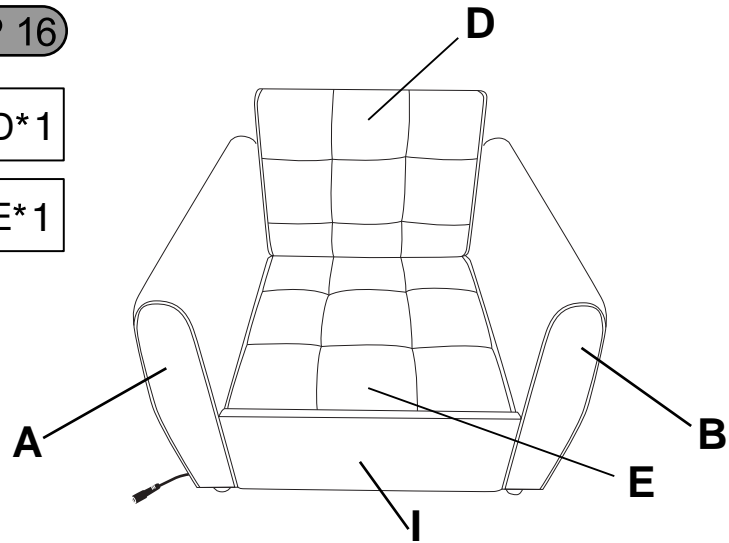


STEP 15



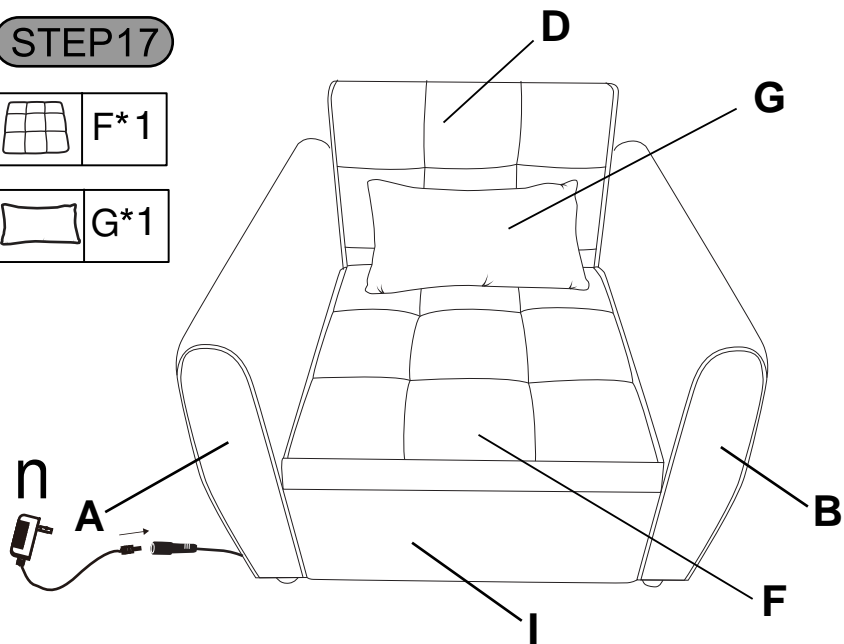
ASSEMBLY INSTRUCTIONS

STEP 16



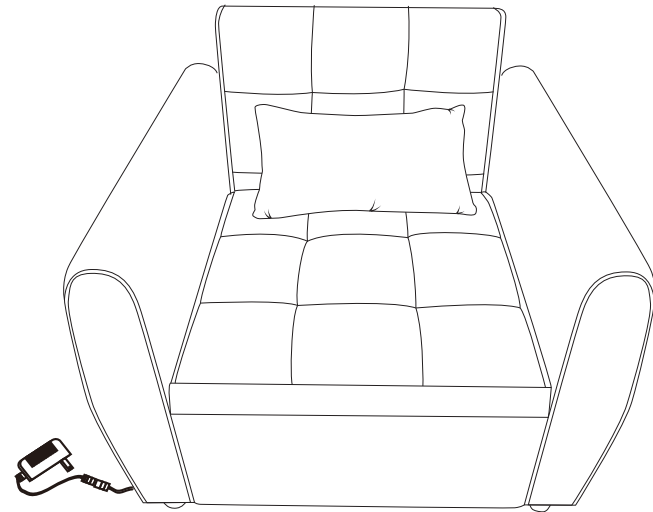
Please put part D in front of part K first, then put part E on the part L+M.

STEP 17

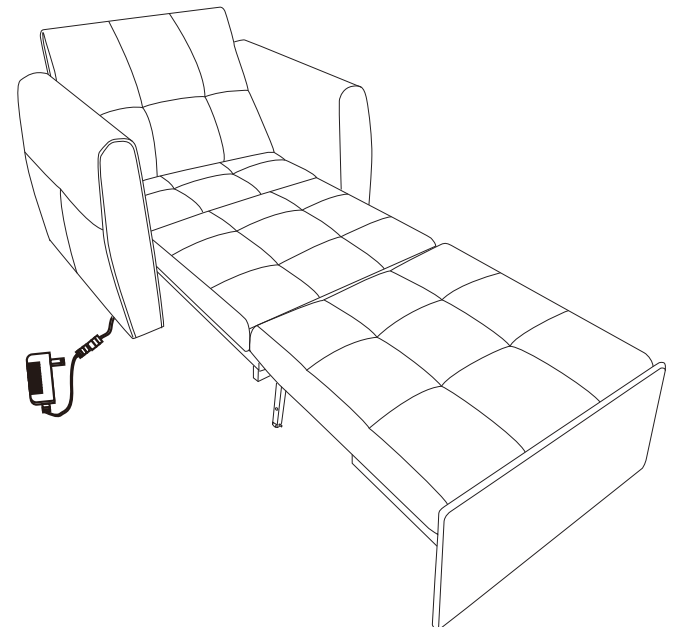


ASSEMBLY INSTRUCTIONS

STEP 18



STEP 19



WARRANTY

So glad you have completed the assembly and can enjoy it. If you are satisfied with our products, thank you for showing your favoreo **SLEEPER CHAIR PULL OUT BED** to your around.

Customer Service:

Any problem with the product or shipping issue, please feel free to contact us, we will try our best to serve and help.