

## TECHNICAL Q&A

- Q** I have low water flow when I turn on the faucet?
- A** This can be caused by build up of mineral deposit or debris coming from your water line during its use. Mineral buildup can occur over time and can cause the aerator to be clogged, resulting in poor or uneven water flow. To fix, remove the aerator from the faucet and clean off any limescale or sediment built up off with warm water.
- Q** My sprayhead not properly switching from one mode to other?
- A** Check water pressure on your faucet. If water pressure is low, this may cause the mode function to not work properly.

### NOTE

Mineral deposits/debris may cause valve to produce uneven or low water flow. To properly restore flow, try removing check valve inside the sprayhead.

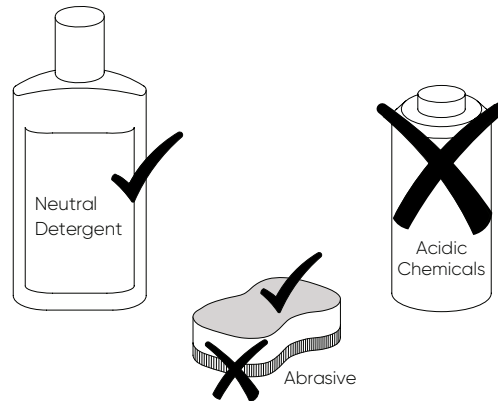
1. Unscrew sprayhead from pull out hose. Once separated, you may see inside the sprayhead connection a round plastic check valve.
2. Remove check valve and connect hose back on to the sprayhead.
3. Once completed, turn water on and check the water pressure.

## MAINTENANCE

Chrome faucets: Use only liquid cleansers or soapy water. Anti-lime or acidic cleaners such as scouring agents or abrasive sponges are to be avoided. Polish with a soft cloth.

Special finish faucets: Clean faucet with mild soap and water. Wipe the entire surface dry with a dry, clean, soft cloth after each use.

DO NOT USE CLEANERS WHICH CONTAIN ACIDS,  
HARSH CHEMICALS OR ABRASIVES.



## WHITEHAUS COLLECTION

If you have any questions, please call us at:

Phone: 800-527-6690

Fax: 800-694-4837

General inquiries:

[info@whitehauscollection.com](mailto:info@whitehauscollection.com)

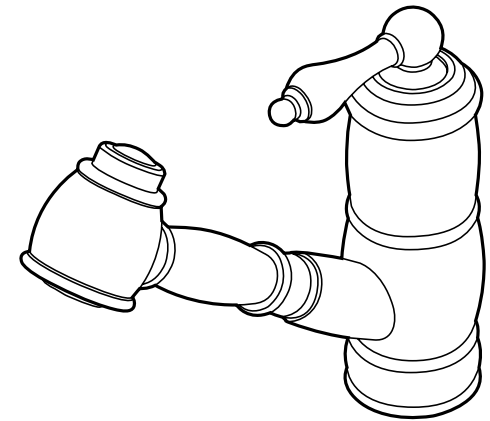
For purchase orders, email us at:

[orders@whitehauscollection.com](mailto:orders@whitehauscollection.com)

# WHITEHAUS COLLECTION

## SINGLE HOLE KITCHEN FAUCET

### WHKPSL3-2222-NT PULL-OUT SPRAY HEAD



### INCLUDES:

FAUCET INSTALLATION  
DIMENSIONS  
PARTS LIST  
TECHNICAL Q&A  
MAINTENANCE

## FAUCET INSTALLATION

Before installing a new faucet, properly flush out the pipework to remove any debris.

1. Place the faucet in the pre-drilled hole on the countertop or sink while ensuring an O-Ring is placed between the faucet and counter.
2. Place rubber washer followed by metal washer to faucet shank under sink. Place lock nut and rotate clockwise to shank. Hand-tighten until the lock nut is snug to the underside of the counter.

Note: Do not tighten lock nut until faucet is properly aligned.

3. Rotate the spout to the left and right. Making sure the handle is aligned to center position properly. Then make the final tightening of the lock nut.

4. Connect the flexible supply lines to the hot and cold water supply valves under the sink.

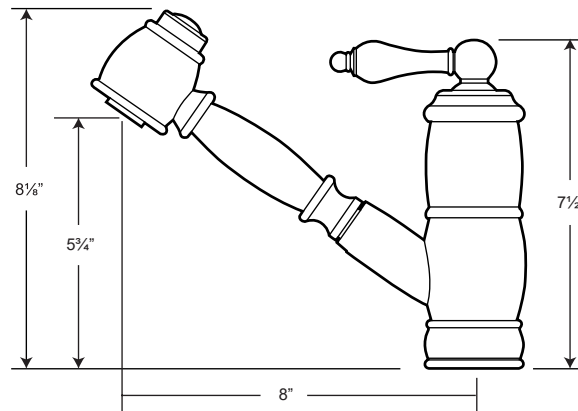
Note: Be sure to hold the supply lines in place when tightening the nut to avoid from twisting or damaging the supply lines.

5. From under the sink, locate the end of the pull out hose. Connect pull out hose to inlet flexible supply line. Make sure rubber washer is placed in this connection.
6. Confirm that faucet handle is in closed position and open supply valves. Check connections for any leakage.

Caution:  
Hose may leak if washer is installed incorrectly.

We reserve the right to introduce technical changes without notice.

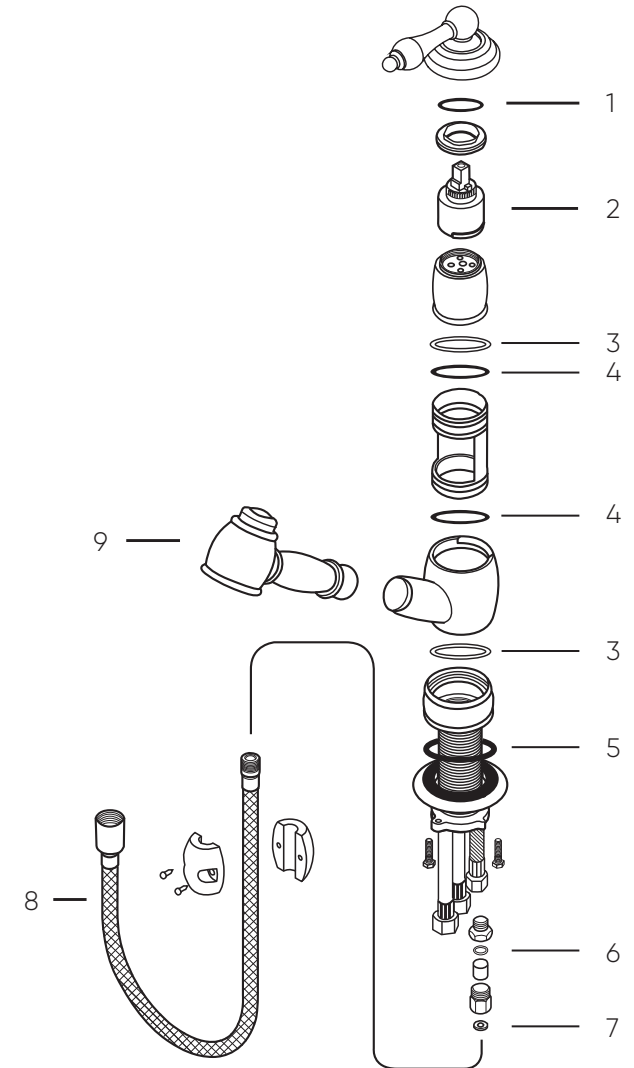
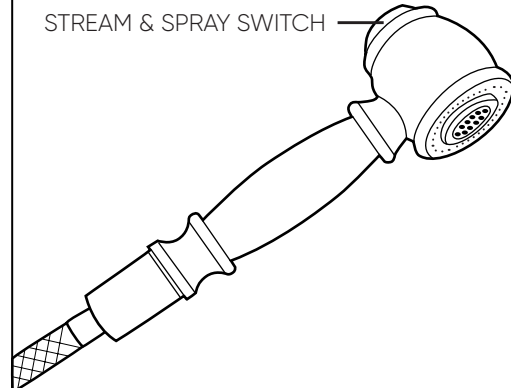
## WHKPSL3-2222-NT – DIMENSIONS



Overall Height: 8 1/8"  
Spout Height: 5 3/4"  
Spout Reach: 8"

### DUAL-MODE PULL-OUT SPRAY HEAD

STREAM & SPRAY SWITCH



### WHKPSL3-2222-NT PARTS LIST

1	Cap O-Ring	B1E0-63-NW
2	Cartridge	L1J1-32-NW
3	Plastic Slip Washer	C2F0-24-NW
4	Inner Body O-Ring	B1E1-00-NW
5	Mounting O-Ring	B1E0-20-NW
6	O-Ring	B1E0-83-NW
7	Washer	B2E0-02-NW
8	Pull-Out Hose	N2X0-10-NW
9	Pull-out Sprayhead	Q6W1-25-HC