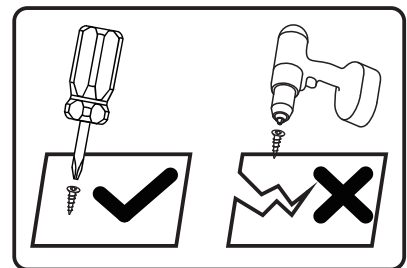
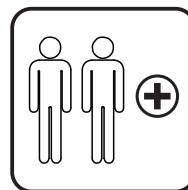
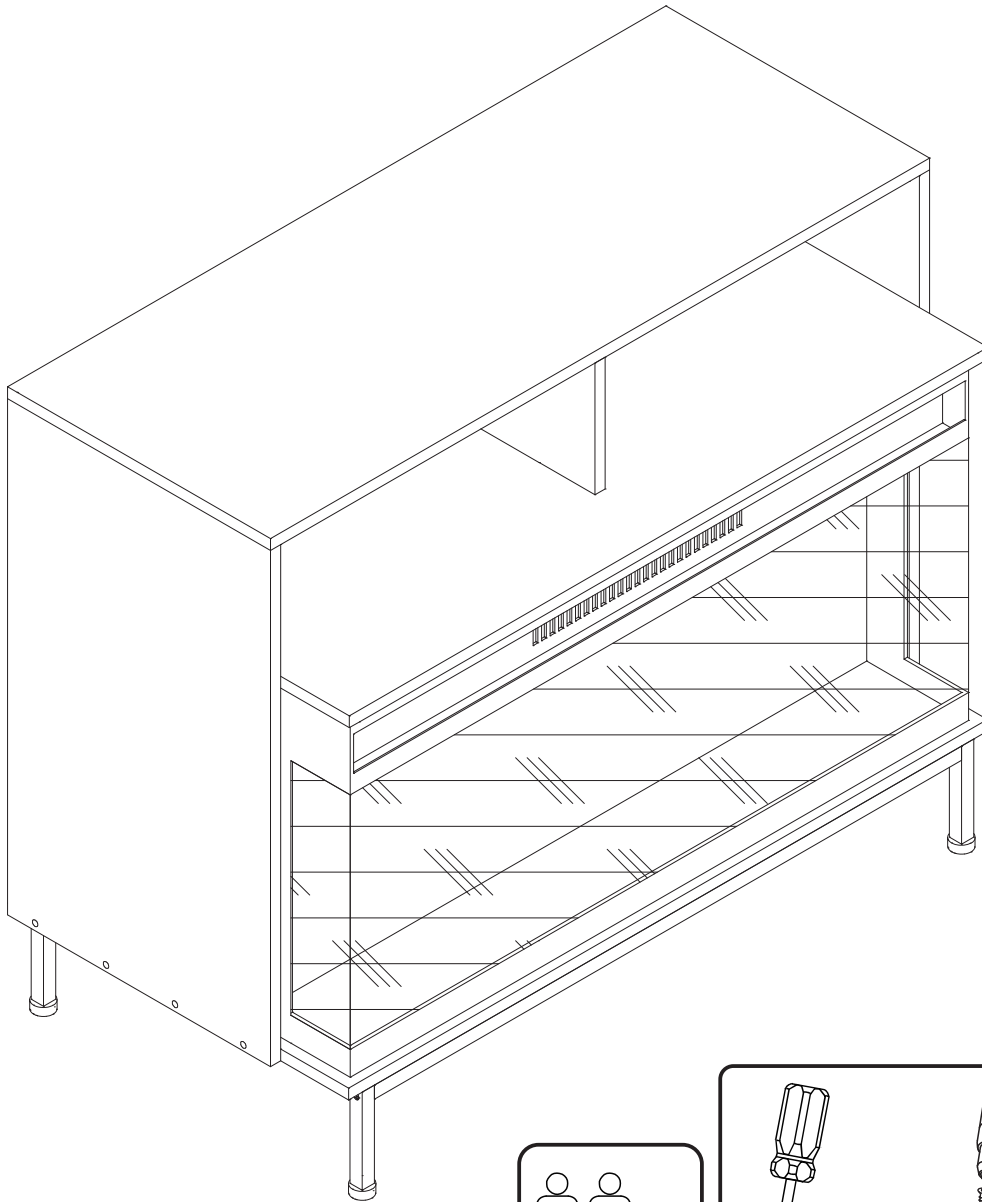


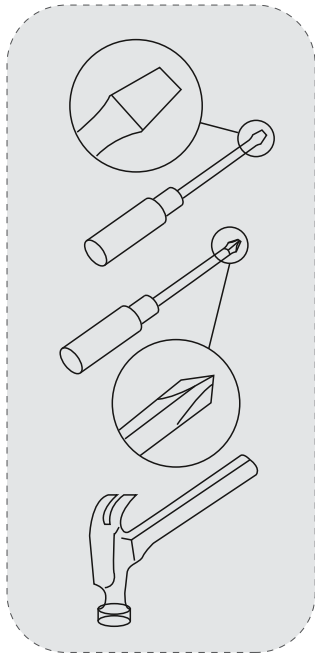
Assembly Instructions



Tools Recommended

.....
This Instructions Contains Important Safety Information. Please Read Before Assembly And Keep For Future Reference.

IMPORTANT NOTICE



- This product contains small components, please ensure that they are kept away from small children.
- THIS INSTRUCTIONS CONTAINS IMPORTANT SAFETY INFORMATION. PLEASE READ BEFORE ASSEMBLY AND KEEP FOR FUTURE REFERENCE.
- Read each step carefully. It is very important that each step of instruction is performed in the correct order. If these steps are not followed in sequence, assembly difficulties will occur.
- Make sure all parts are included. Most parts are labeled or stamped on the raw edge.
- Work in spacious area, preferably on a carpet, near the place the unit will be used.
- Do not use power tools to assemble your furniture. Power tools may strip or damage the parts.
- Move your new furniture carefully, with two people lift and carry the unit to its new location.
- Never push, drag or pull your furniture (especially on carpet).



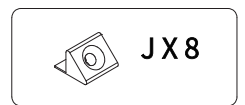
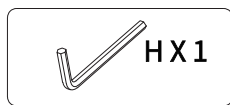
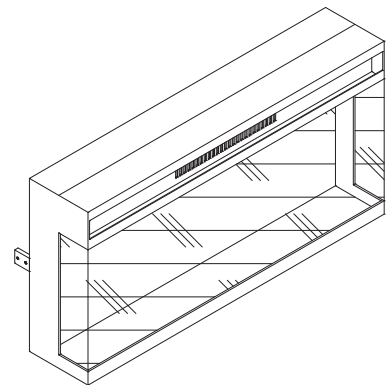
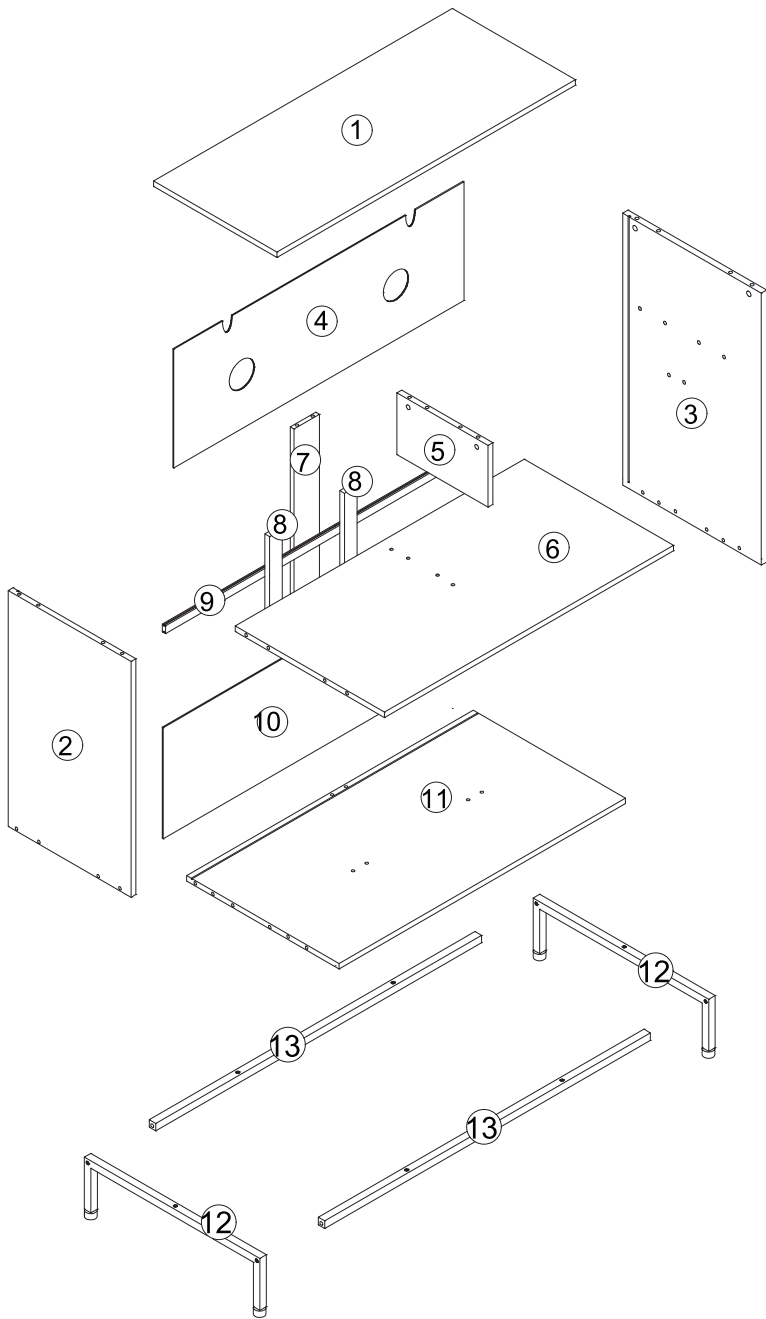
WARNING

(Death or serious injury may occur when children climb on audio and/or video equipment furniture.)

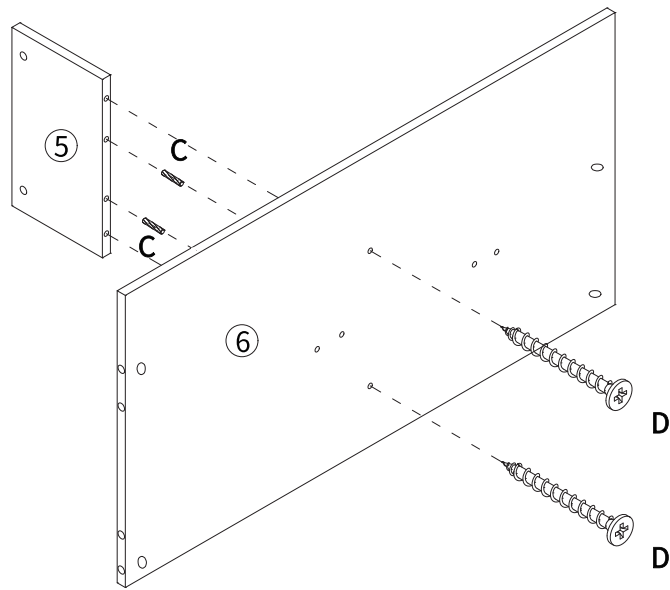
To reduce the risk of furniture tipover:



- NEVER attempt to move this furniture without first removing all equipment.
- NEVER placing remote control or toys on the furniture, may encourage a child to climb on the furniture and as a result the furniture may tip over onto the child.
- Please contact us using the details shown for further advice.



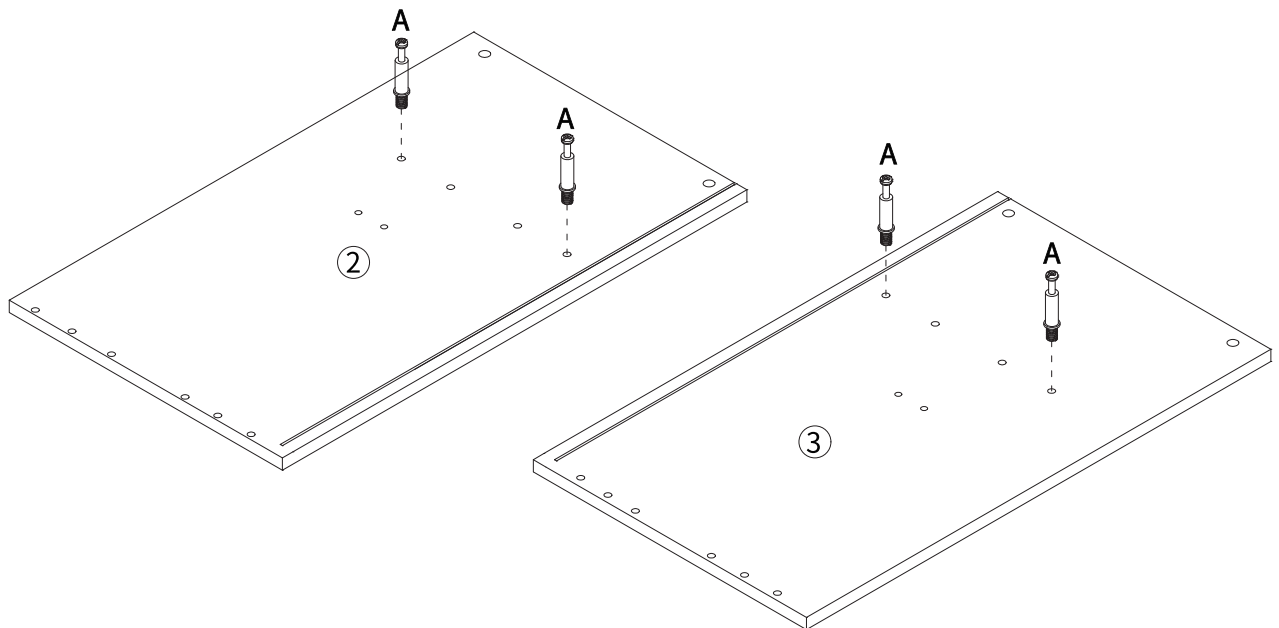
Step 1



First insert the wood plugs part(C) into board ⑤ .
Then assemble board ⑤ and board ⑥ by screw(D)
The installation position is as shown in the figure
below.



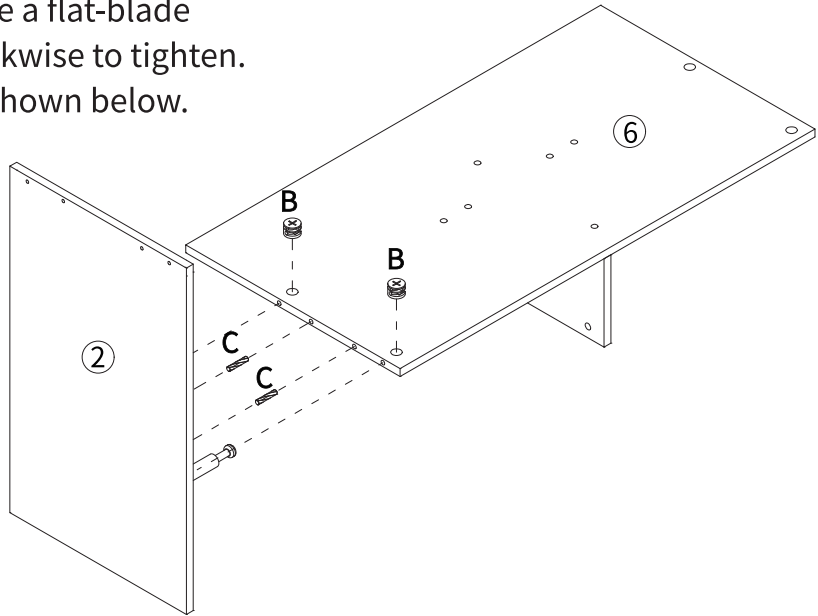
Step 2



Put connecting rod (A) on corresponding holes of board ② and board ③. The installation position is as shown below

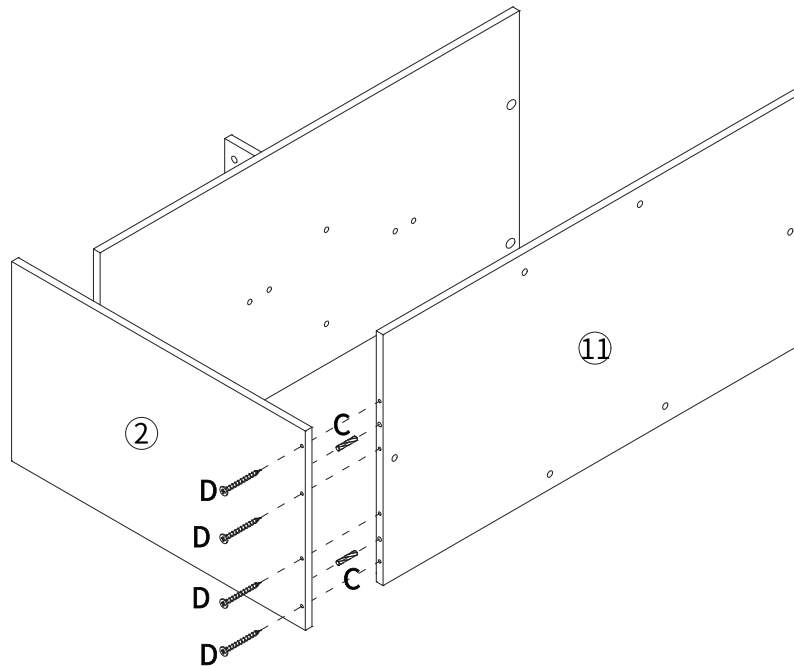
Step 3

First put board ② up, put wood plugs part (C) fittings correspond to board ⑥, and use a flat-blade screwdriver to lock part (B) clockwise to tighten. The installation position is as shown below.



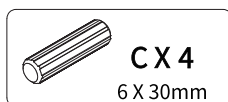
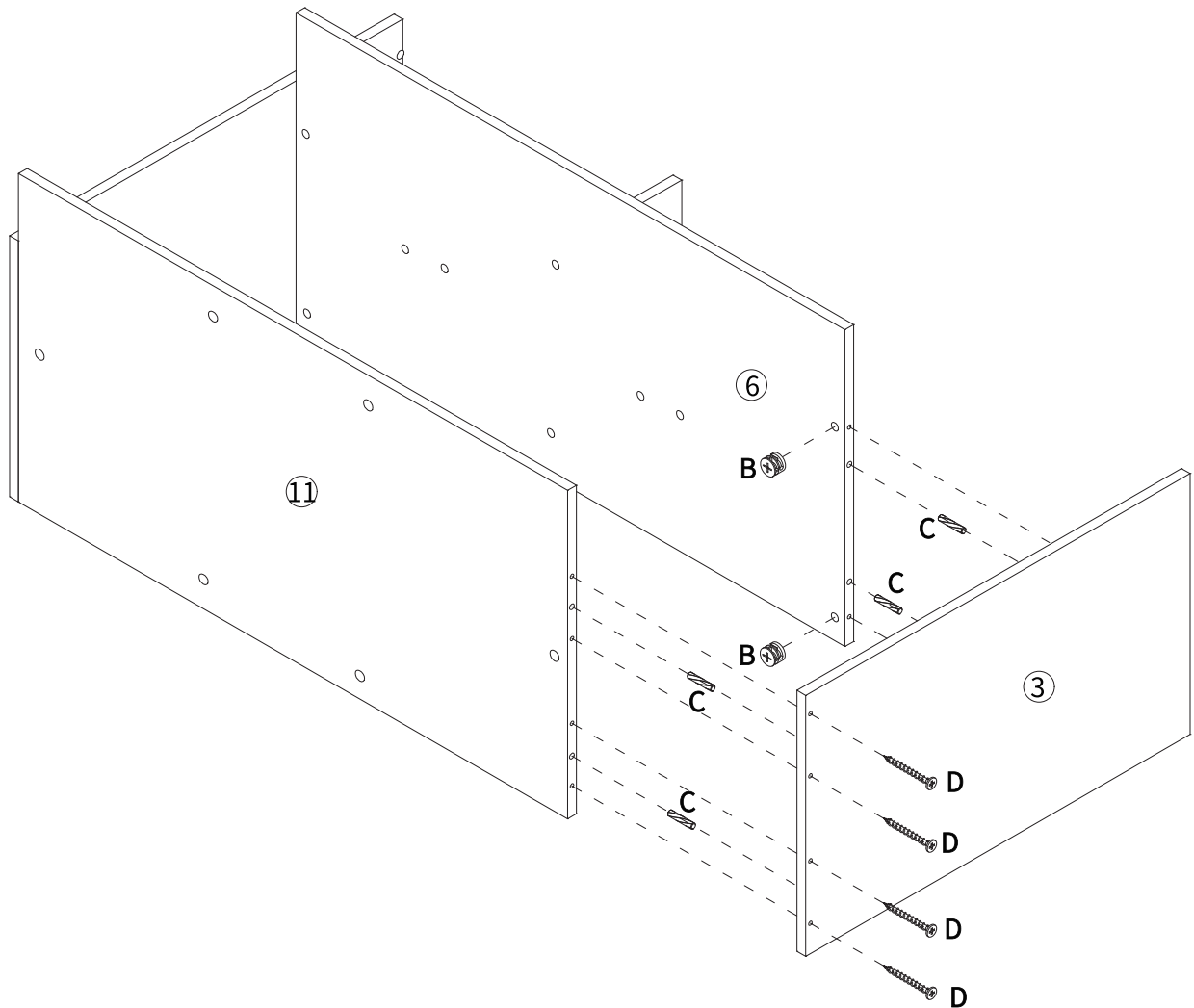
Step 4

First put board ② ⑪ up, put wood plugs part (C) fittings correspond to board ⑪, and install the board ② and board ⑪ together by screw (D). The installation position is as shown below.



Step 5

First put board ③ up, put wood plugs part (C) fittings correspond to board ①⑥, and install the board ③ and board ⑥① together by screw (D). The installation position is as shown below.

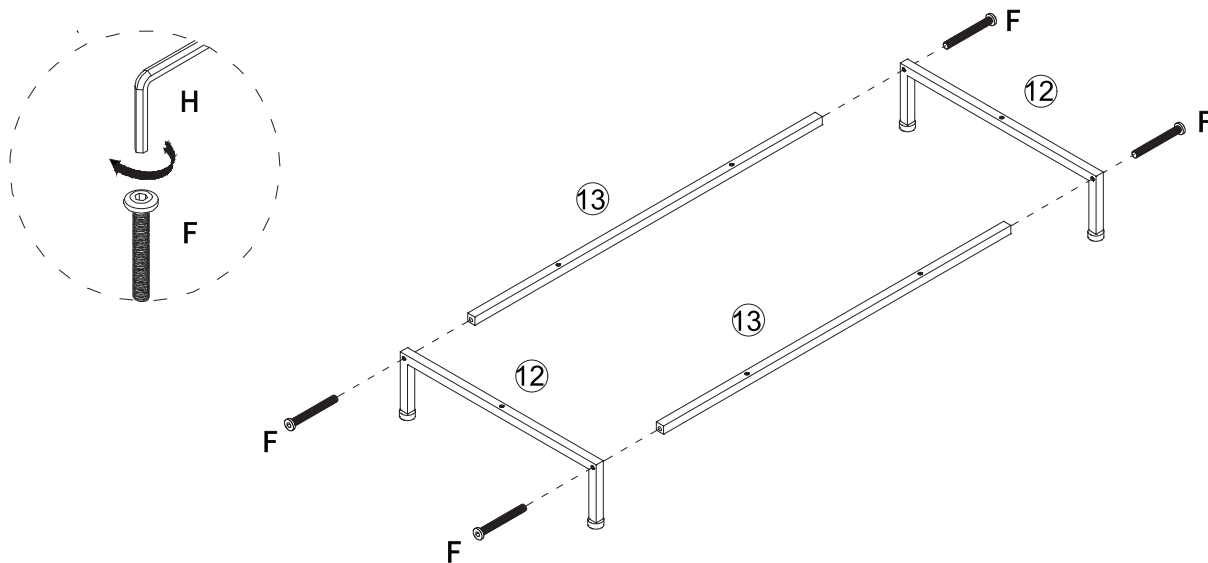


Step 6

Install the part ⑫ and part ⑬ together by screw (F) with hex screwdriver.

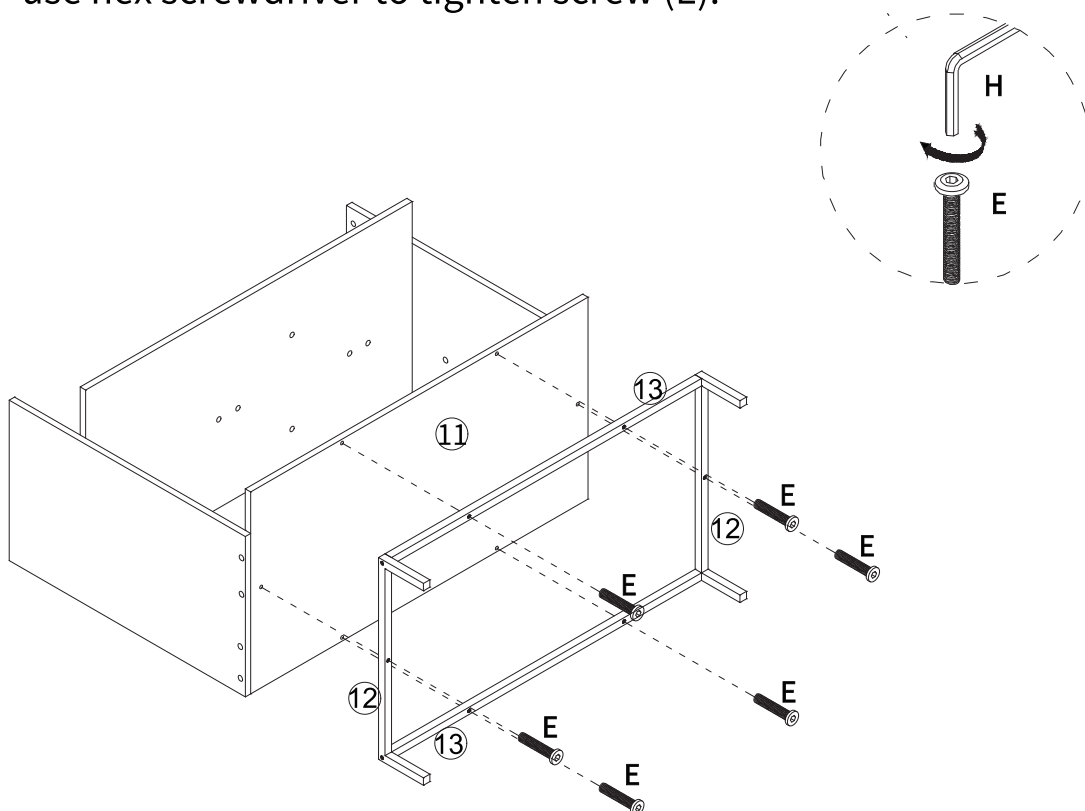
the installation position is as shown below.

Foot height can be adjusted a little bit by the tightness of the screw.



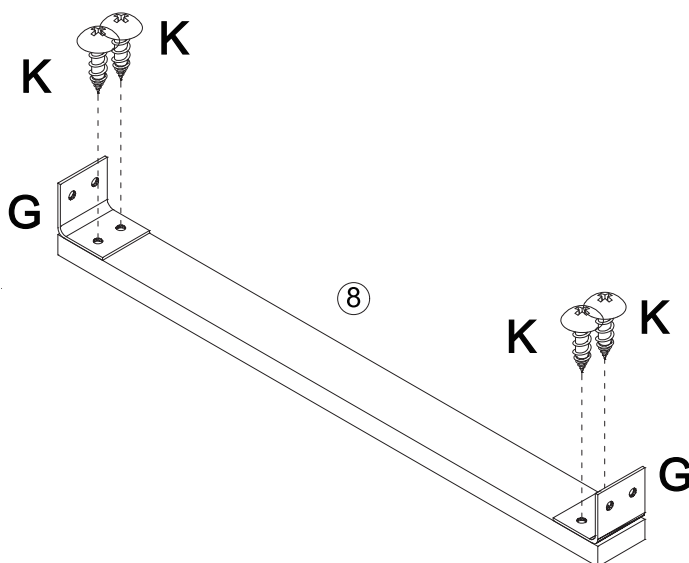
Step 7

Attach tubes part ⑫ and part ⑬ to board ⑪ by screw (E), and use hex screwdriver to tighten screw (E).



Step 8

Install the part (G) and board ⑧ together by screw (K).
the installation position is as shown below.

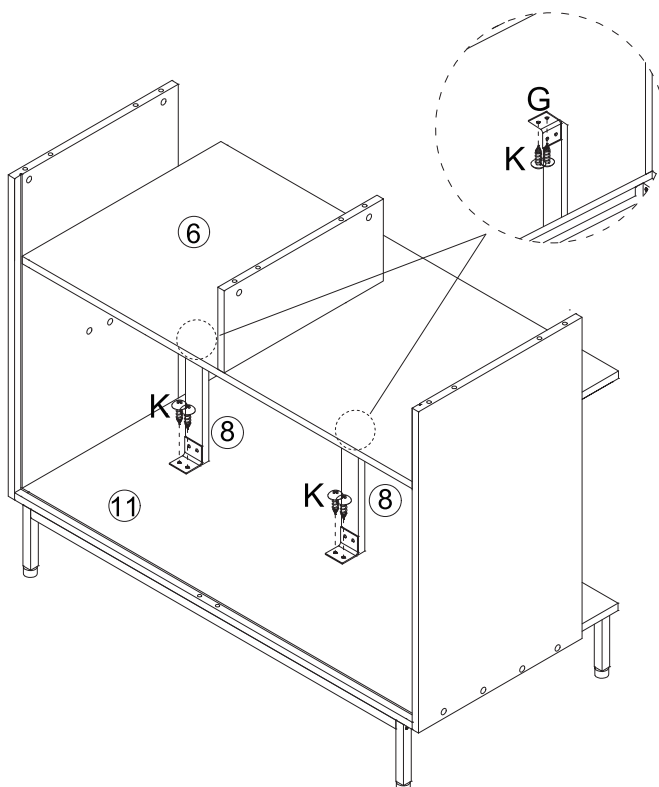


x2



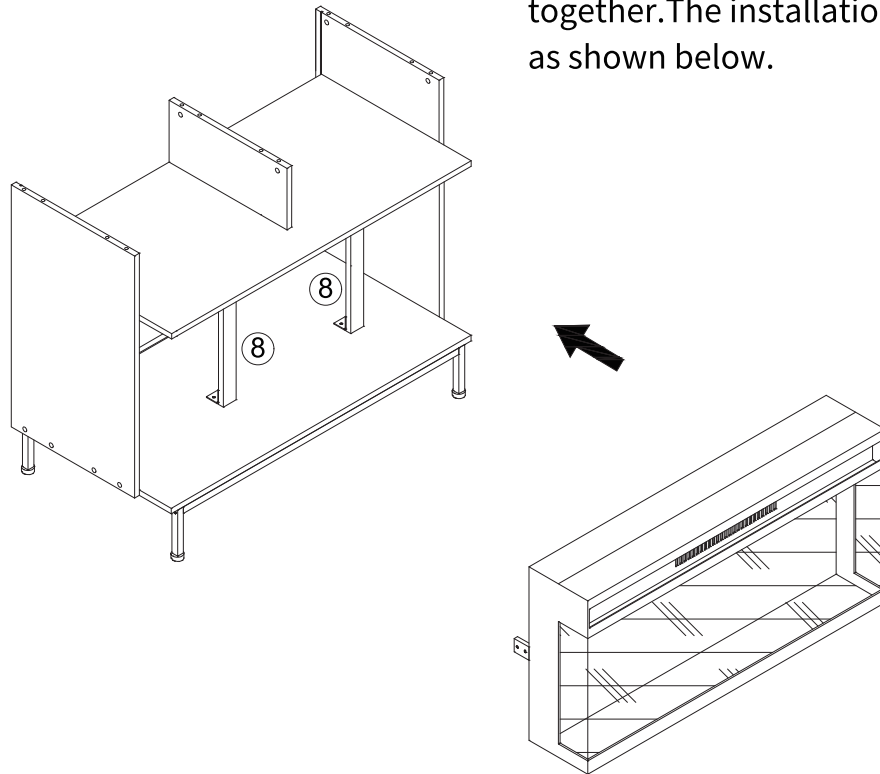
Step 9

Install the board ⑧ and board ⑥ ⑪ together by screw (K), the installation position is as shown below.

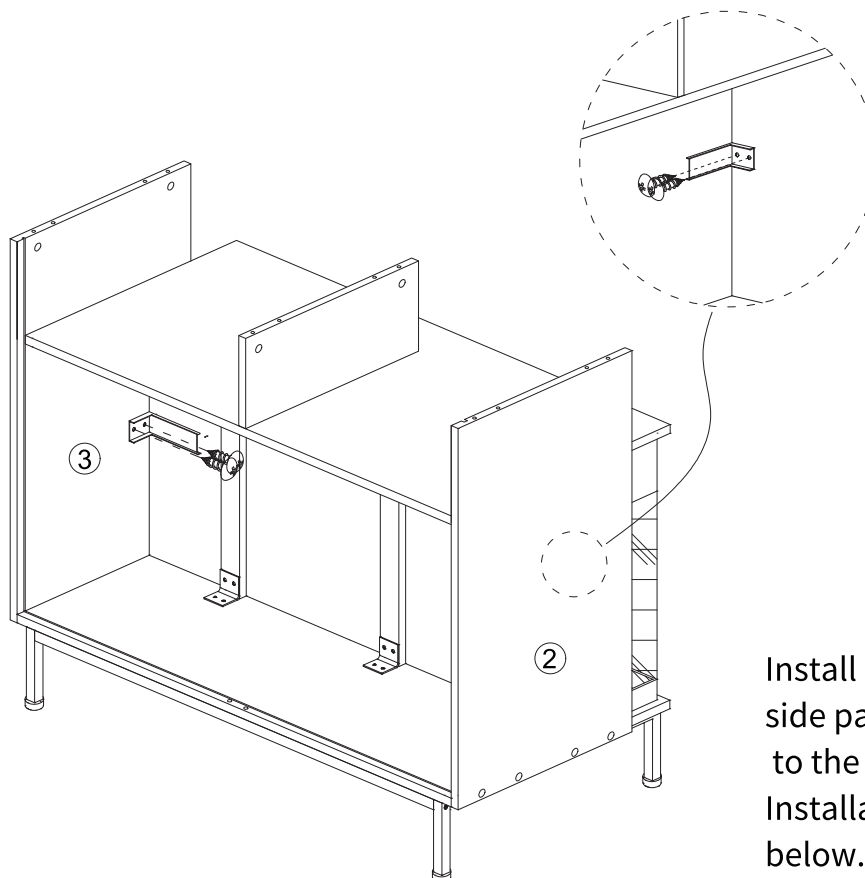


Step 10

Assemble the warmer and the component finished in step ⑧ together. The installation position is as shown below.



Step 11

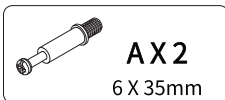
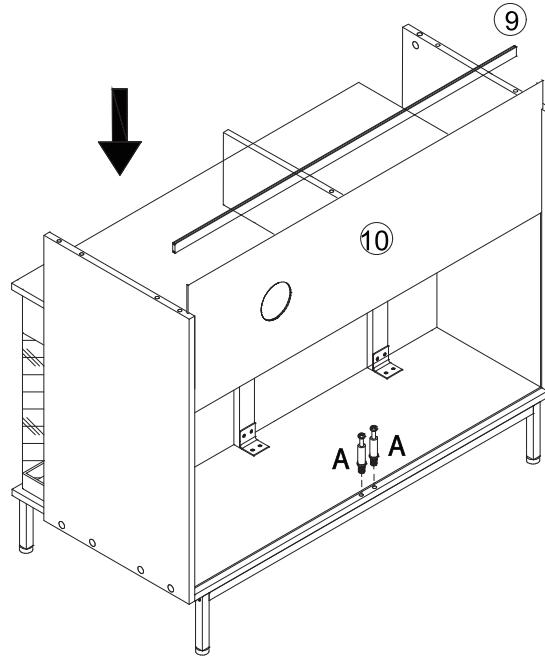


Install the fixing brackets on the side panels of the mantel. (Refer to the manual for the fireplace) Installation position is as shown below.

Step 12

Put connecting rod (A) on corresponding holes of bottom board. Insert board ⑩ along the slot first and then insert part ⑨ which connects the board ⑩.

The installation position is as shown below.

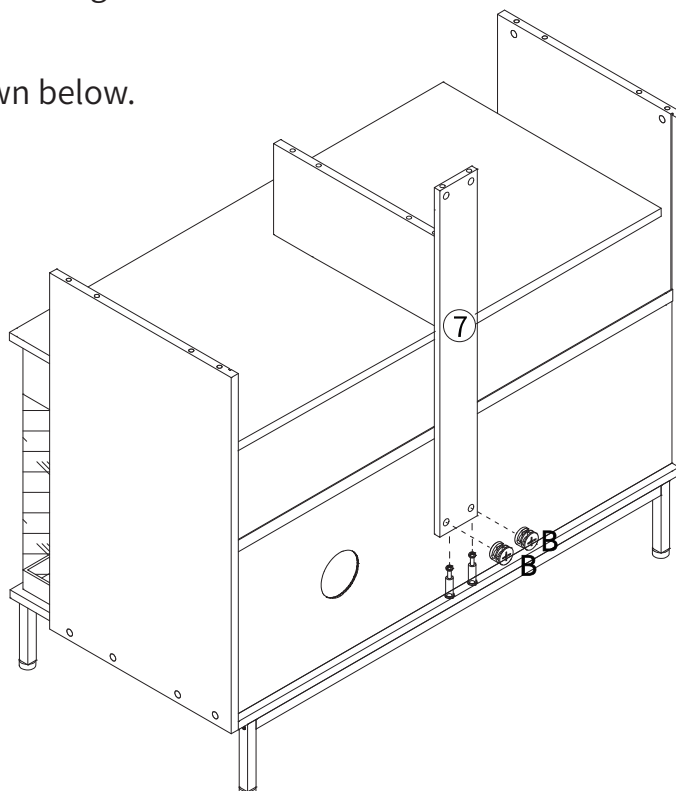


Step 13

Insert the board ⑦ into the connecting rod (A) and put the eccentric parts (B) into the corresponding holds of board ⑦.

Then lock them.

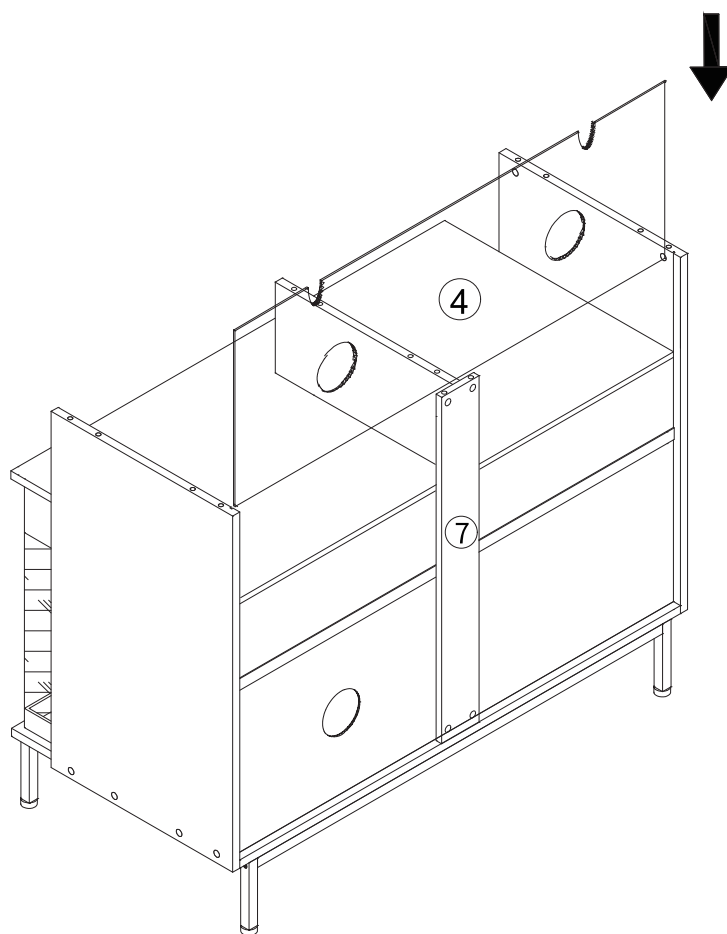
The installation position is as shown below.



Step 14

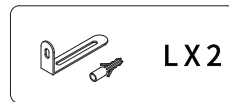
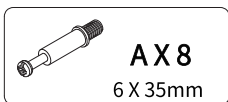
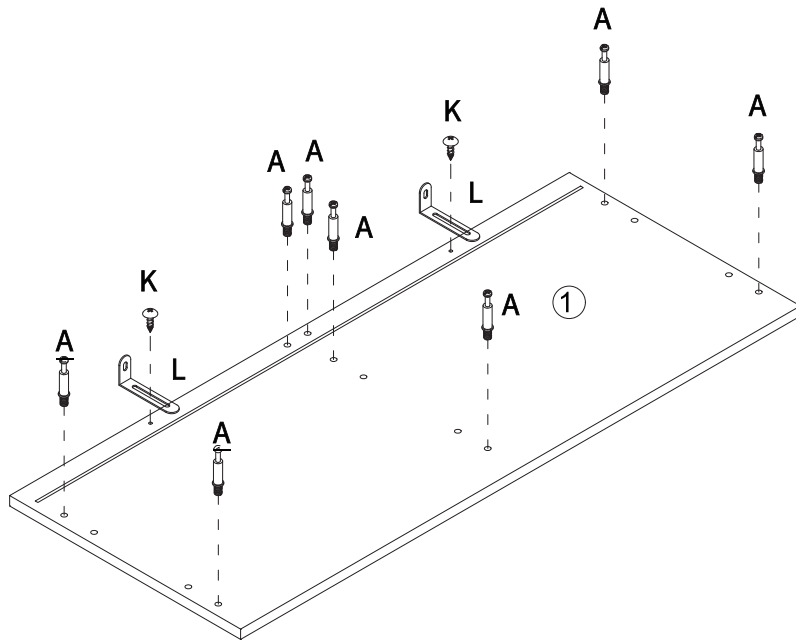
Insert the board ④ along the groove of the two side boards.

The installation position is as shown below.



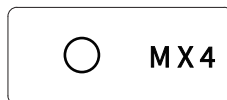
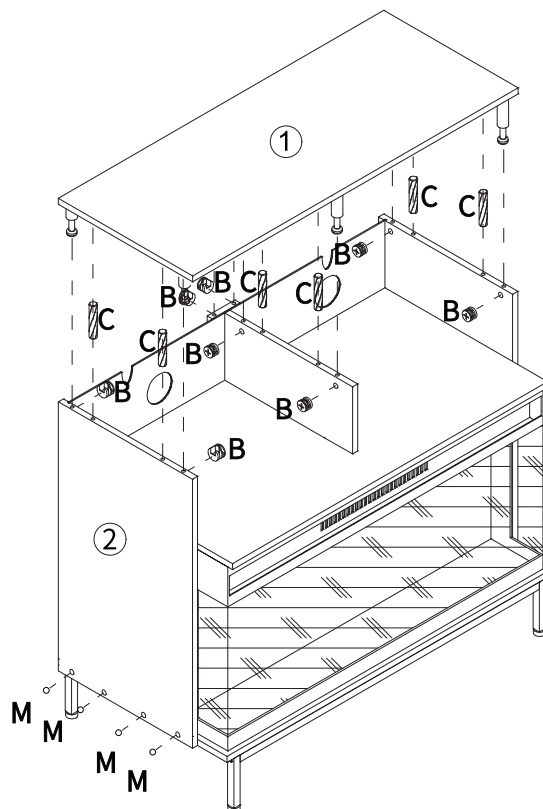
Step 15

Put the eccentric parts (A) into the corresponding holes of board ①. Fasten the (L)shaped iron piece (L) with screw (K); The installation position is as shown below.



Step 16

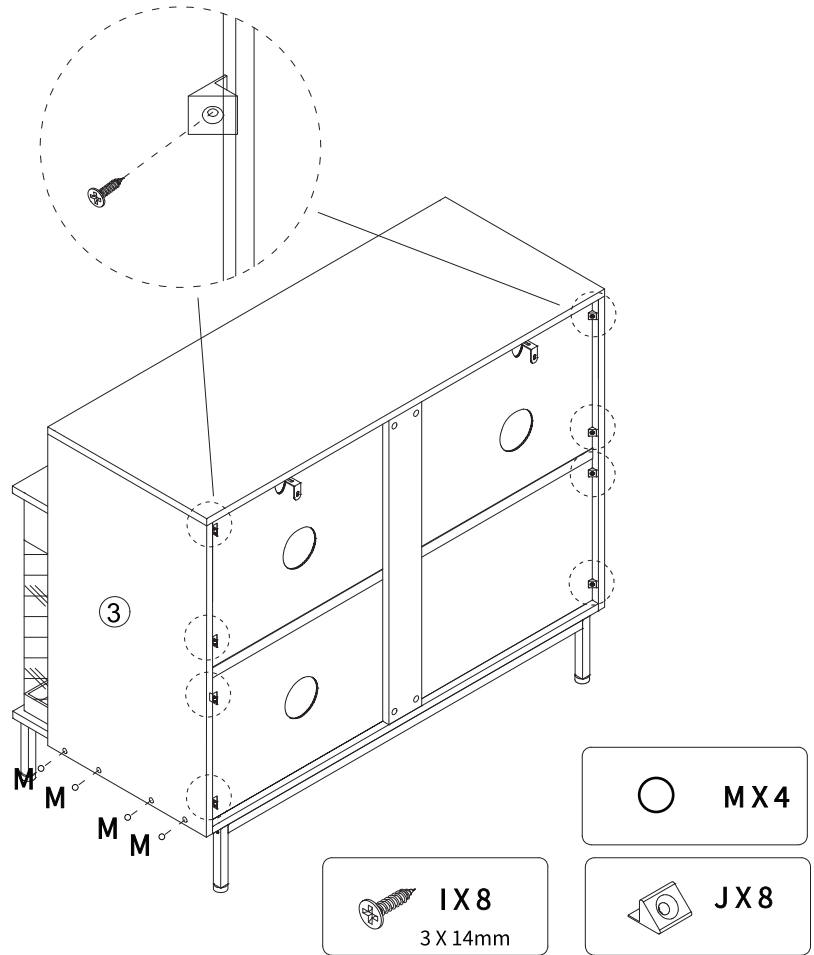
Put dowels (C) and eccentric parts (B) into the corresponding holes. Then install the board ① on the other part. Don't forget to use a flat-blade screwdriver to lock part (B) clockwise to tighten. The installation position is as shown below. Attach part (M) fitting to the hole under the board ②.



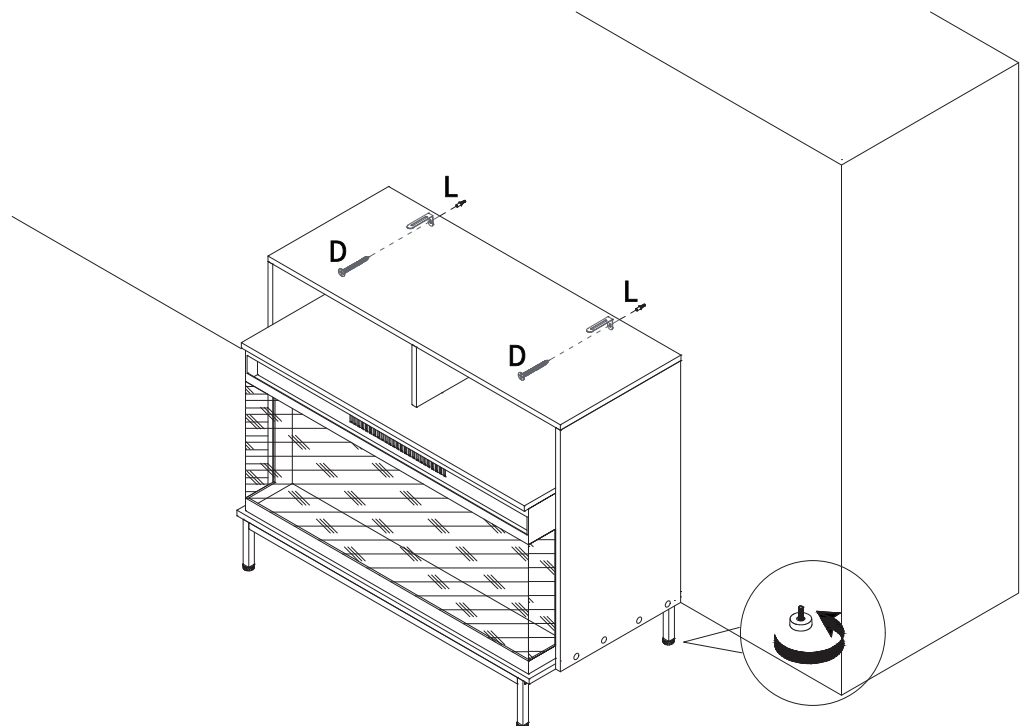
Step 17

Use the screws in component (I) (J) to fasten the back place buckle. The installation position is as shown below.

Attach part (M) fitting to the hole under the board ③.



Step 18



First drill holes on the wall where it is placed, and then press the expansion screw (L) into the holes, to fix the cabinet by screwing (D) into (L). The installation location is as shown in the figure below.