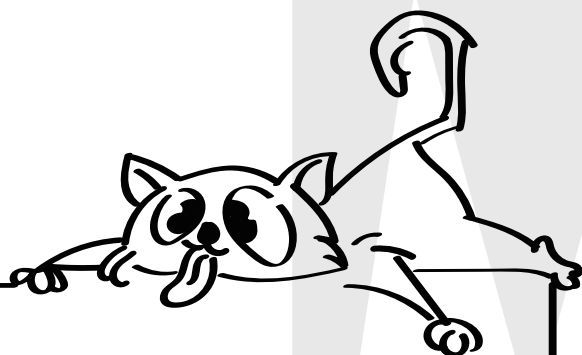


KAMA

BOOK



If you're having difficulty, our friendly customer team is always here to help.



WEB:KAMABOKOPETS.com
EMAIL:KMABOKO@163.com



Cat Tree

KM056

THIS INSTRUCTION BOOKLET CONTAINS IMPORTANT SAFETY INFORMATION.
PLEASE READ AND KEEP FOR FUTURE REFERENCE.

EN



Before You Start

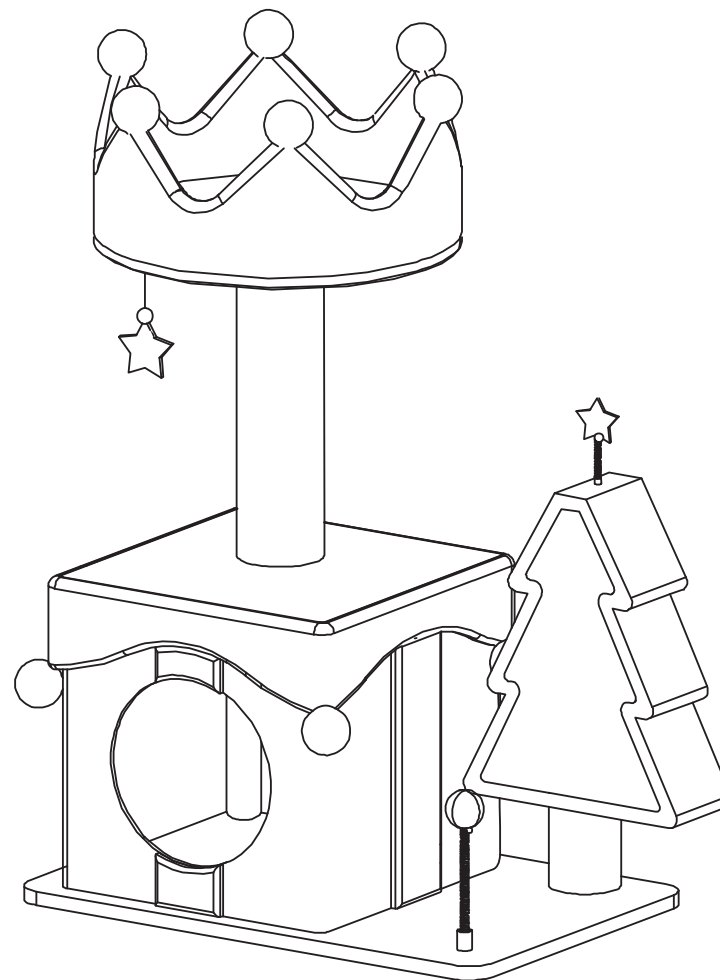
- ⚠ Please read all instructions carefully.
- ⚠ Retain instructions for future reference.
- ⚠ Separate and count all parts and hardware.
- ⚠ Read through each step carefully and follow the proper order.
- ⚠ We recommend that, where possible, all items are assembled near to the area in which they will be placed in use, to avoid moving the product unnecessarily once assembled.
- ⚠ Always place the product on a flat, steady and stable surface.
- ⚠ Keep all small parts and packaging materials for this product away from babies and children as they potentially pose a serious choking hazard.

EN

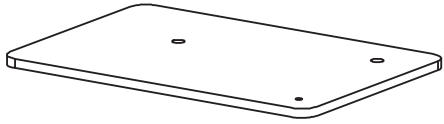


Return / Damage Claim Instructions

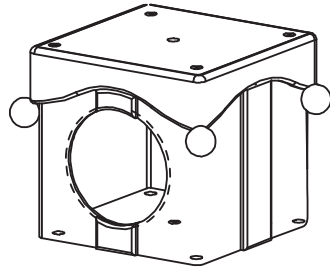
- ⚠ **DO NOT discard the box / original packaging.**
In case a return is required, the item must be returned in original box. Without this your return will not be accepted.
- ⚠ **Take a photo of the box markings.**
A photo of the markings (text) on the side of the box is required in case a part is needed for replacement. This helps our staff identify your product number to ensure you receive the correct parts.
- ⚠ **Take a photo of the damaged part (if applicable).**
A photo of the damage is always required to file a claim and get your replacement or refund processed quickly. Please make sure you have the box even if it is damaged.
- ⚠ **Send us an email with the images requested.**
Email us directly from marketplace where your item was purchased with the attached images and a description of your claim.



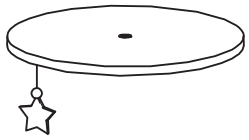
A x 1



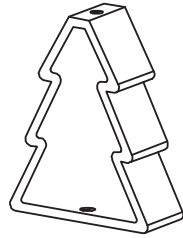
B x 1



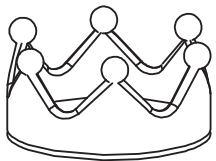
C x 1



D x 1



E x 1



F x 1



G x 1



P1



x 1

P2



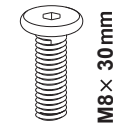
x 1

P3



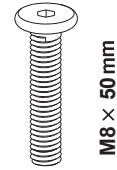
x 4

W1



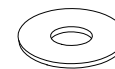
x 1

W2



x 6

W3



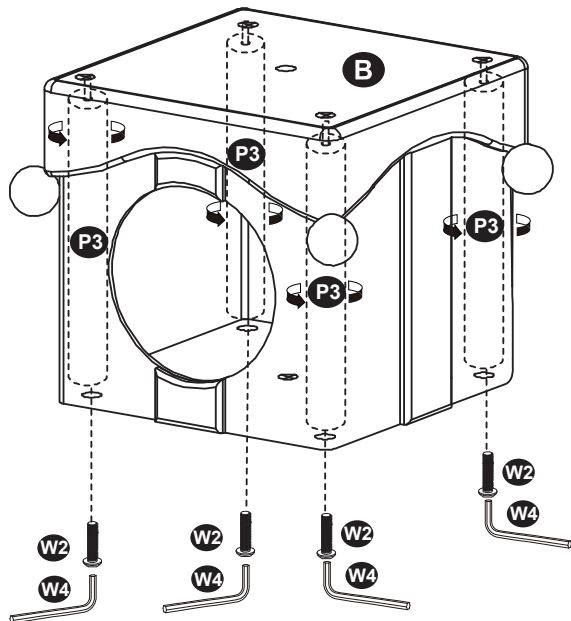
x 3

W4



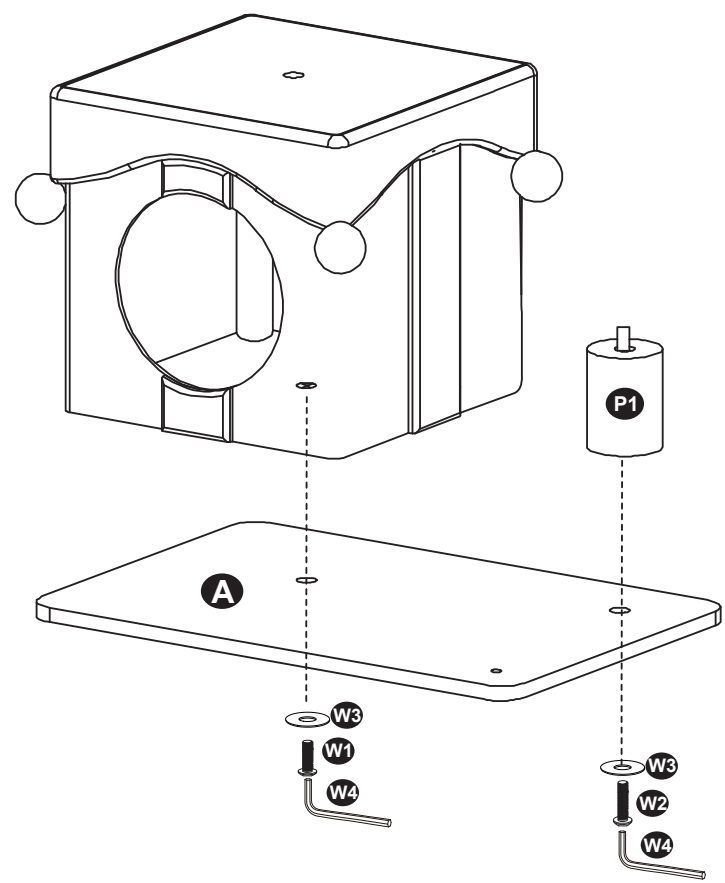
x 1

1



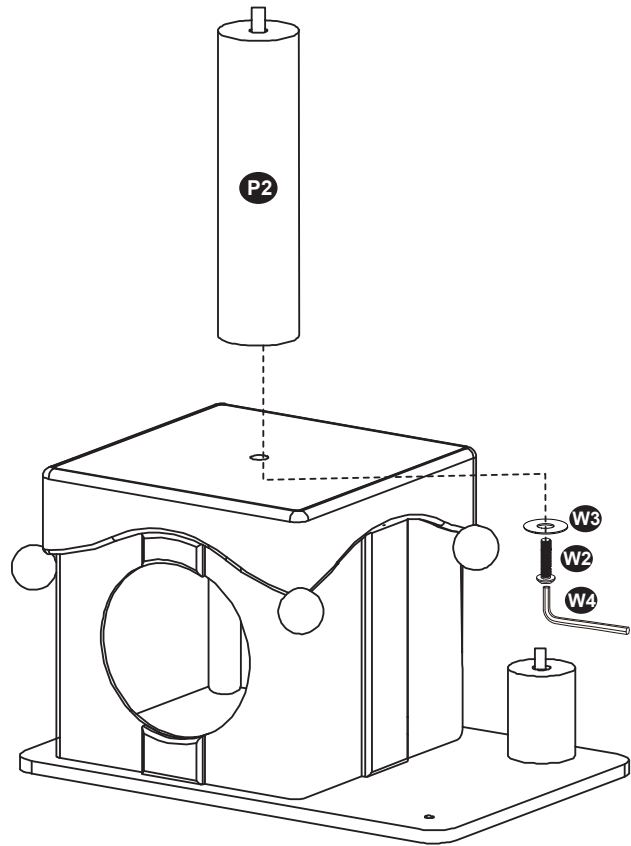
W2		x4
W4		x1




2



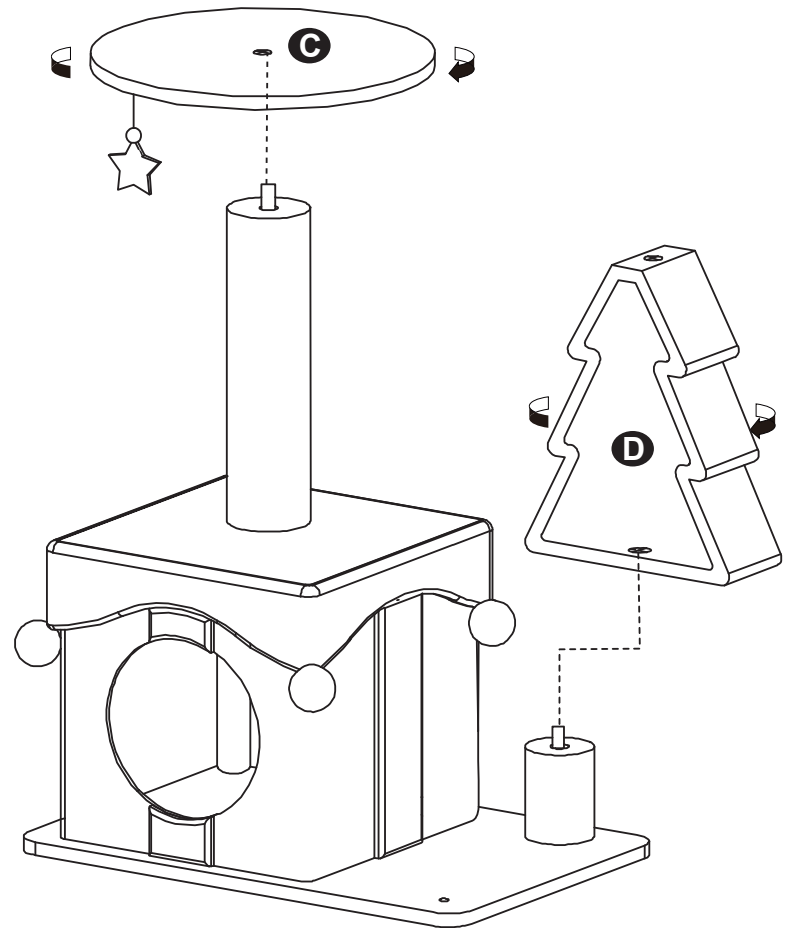
W1		x1
W2		x1
W3		x2
W4		x1

3

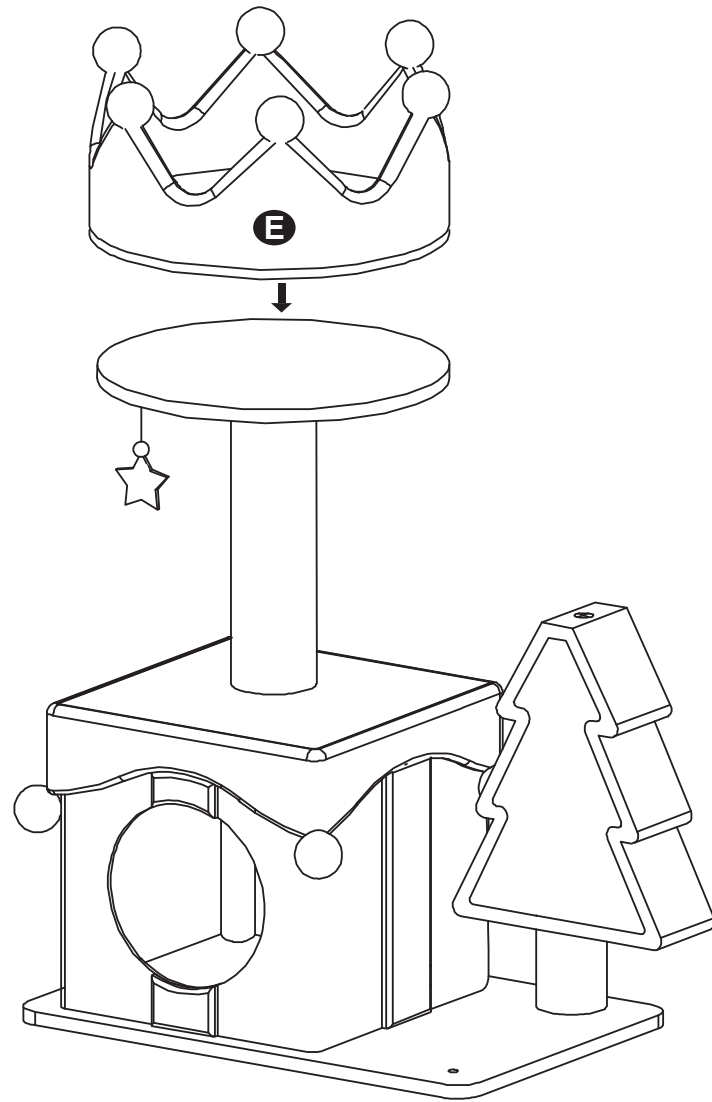


W2		x1
W3		x1
W4		x1

4



5



6

