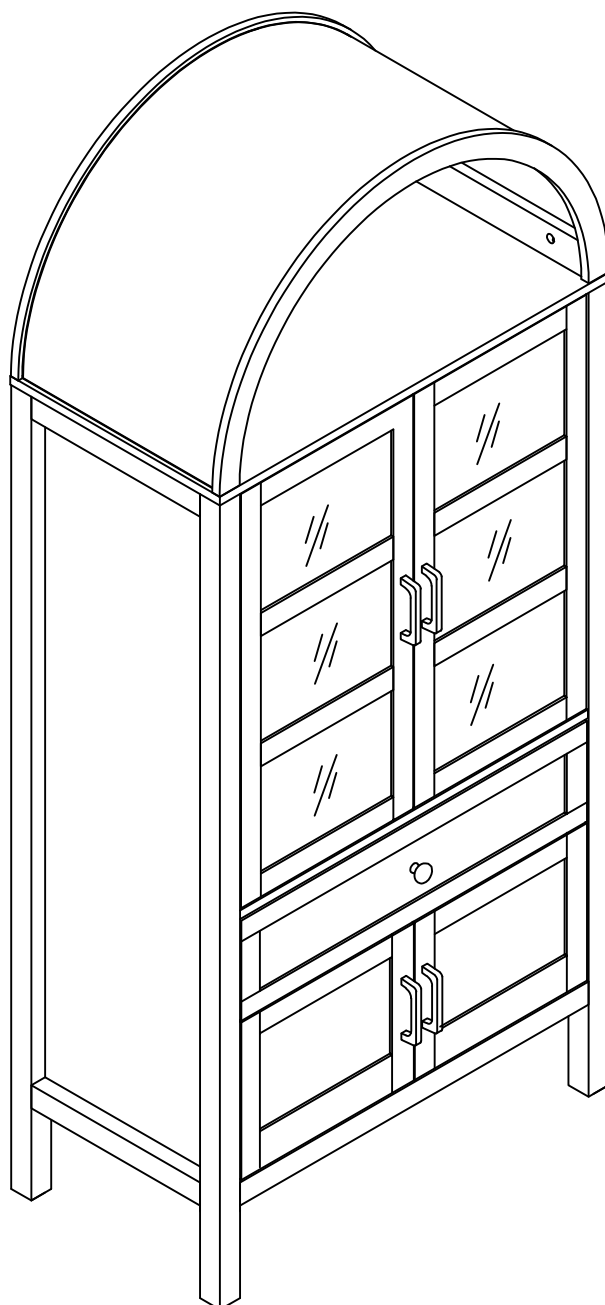
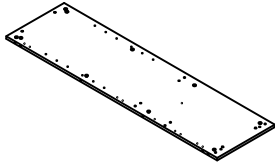


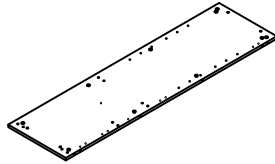
Installation & Assembly



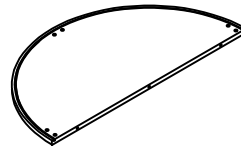
Parts List



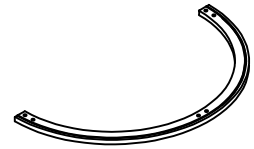
① 1pc



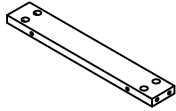
② 1pc



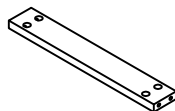
③ 1pc



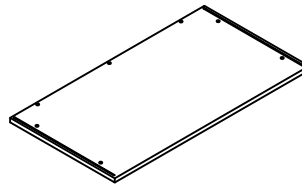
④ 1pc



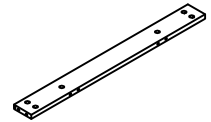
⑤ 2pcs



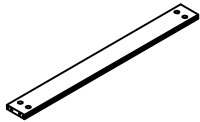
⑥ 1pc



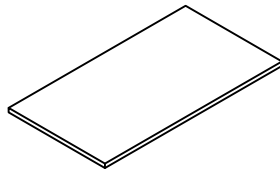
⑦ 1pc



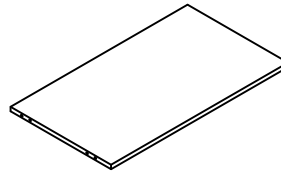
⑧ 2pcs



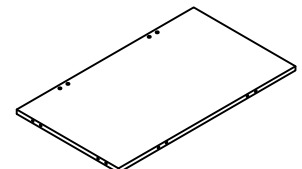
⑨ 1pc



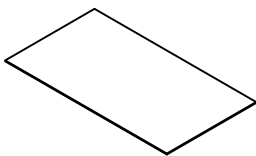
⑩ 2pcs



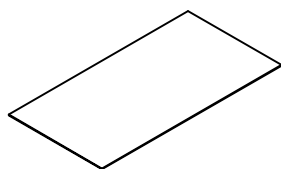
⑪ 1pc



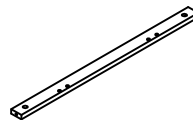
⑫ 1pc



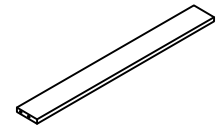
⑬ 2pcs



⑭ 1pc

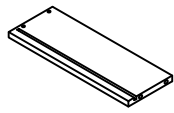


⑮ 1pc

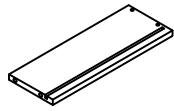


⑯ 1pc

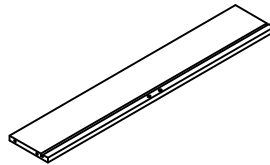
Parts List



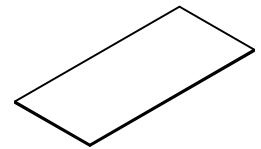
⑰ 1pc



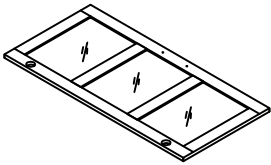
⑱ 1pc



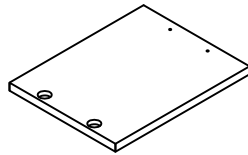
⑲ 1pc



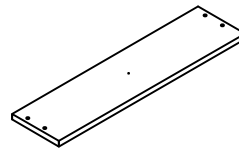
⑳ 1pc



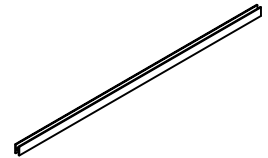
㉑ 2pcs



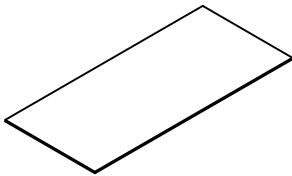
㉒ 2pcs



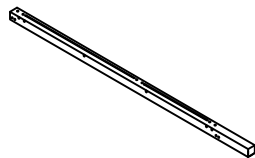
㉓ 1pc



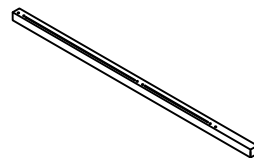
㉔ 1pc



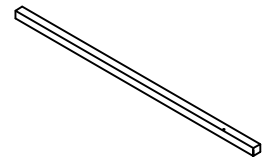
㉕ 1pc



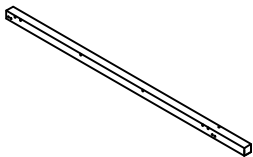
㉖ 1pc



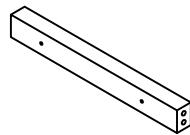
㉗ 1pc



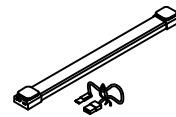
㉘ 1pc



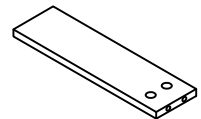
㉙ 1pc



㉚ 4pcs



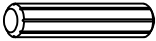

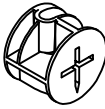
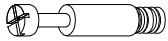
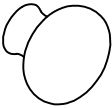
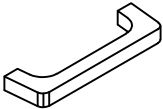


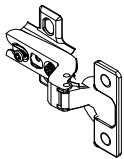

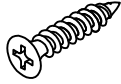
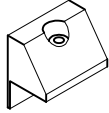
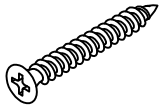
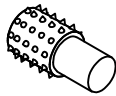
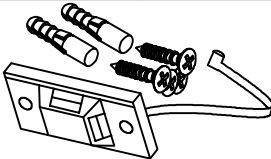
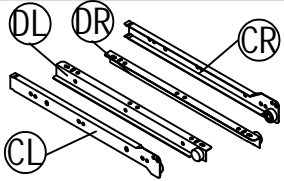
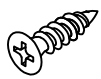
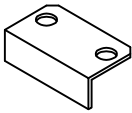
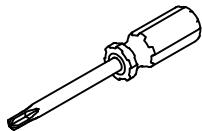
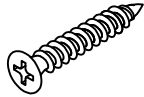
㉛ 3pcs



㉜ 1pc


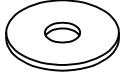
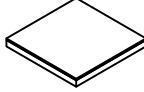
Hardware List

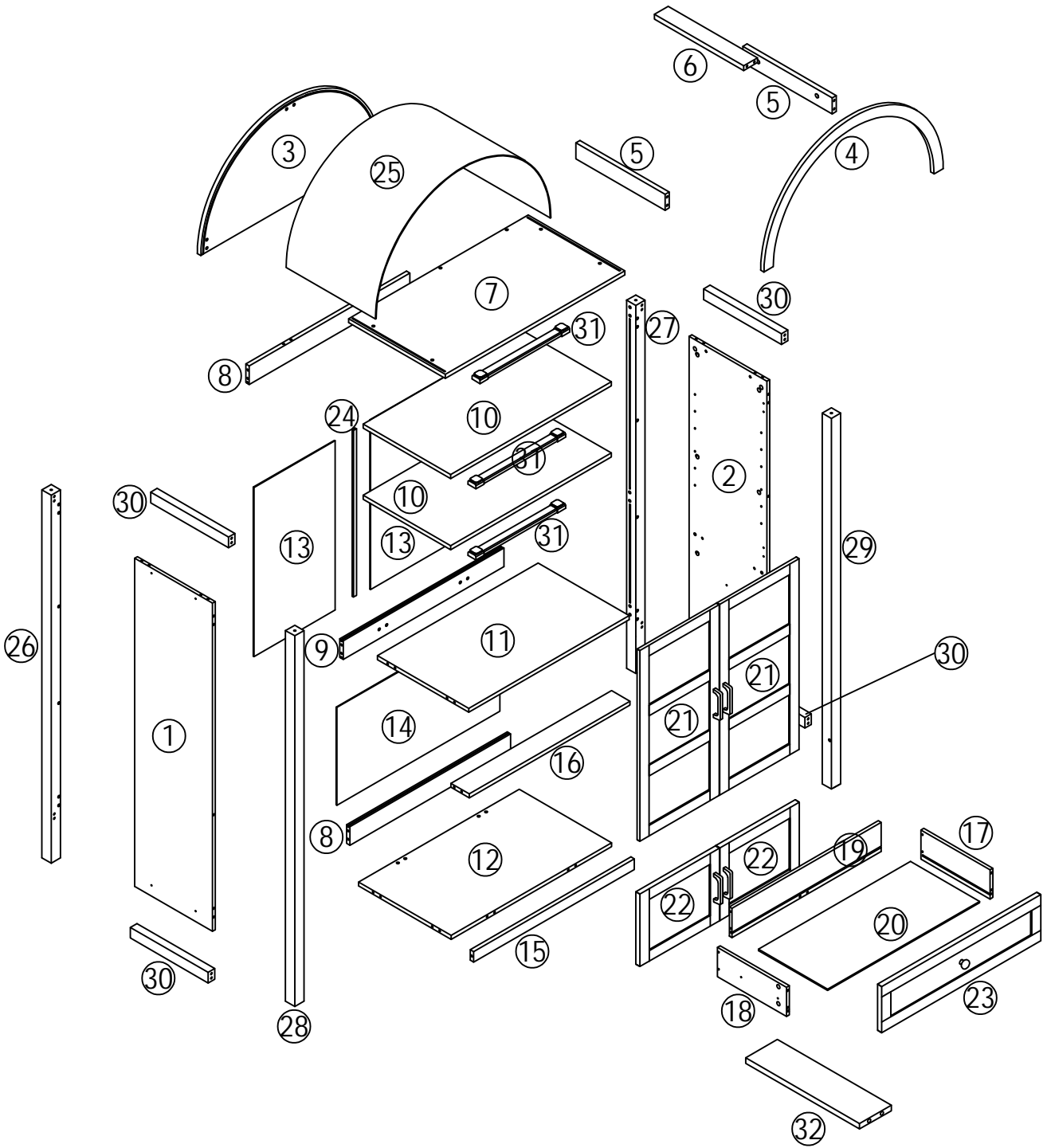
Note: The+ sign is followed by spare screws

(A)	X18+2	(B)	X30+2	(C)	X79+8	(D)	X79+8
							
Ø6x40mm		Ø8x30mm					
(E)	X1	(F)	X4	(G)	X4	(H)	X4
							
				M4*16mm		M4*22mm	
(I)	X8	(J)	X36+3	(K)	X16	(L)	X16
							
		Ø20		Ø3x20mm			
(M)	X6	(N)	X8+2	(O)	X2	(P)	X1
							
Ø4x35mm							
(Q)	X44+3	(R)	X1	(S)	X1	(T)	X8+2
							
Ø3.5x12mm						Ø4x25mm	

Hardware List

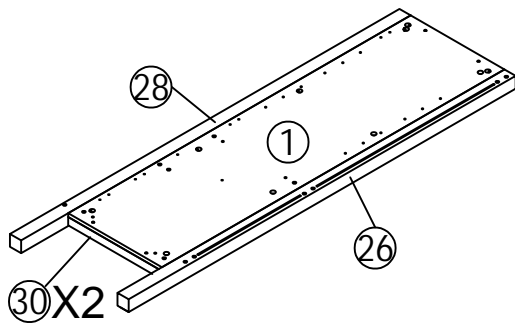
Note: The+ sign is followed by spare screws

Ⓚ	X1	Ⓛ	X1	Ⓜ	X4		
							
M4*10mm							

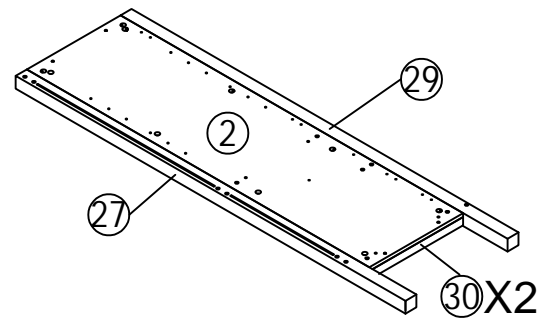


It is divided into four steps of ABCDEF

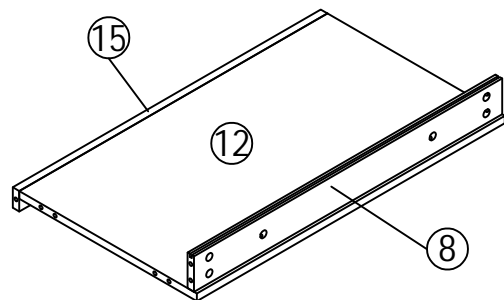
Module A



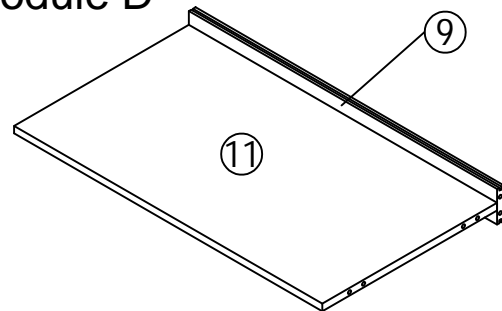
Module B



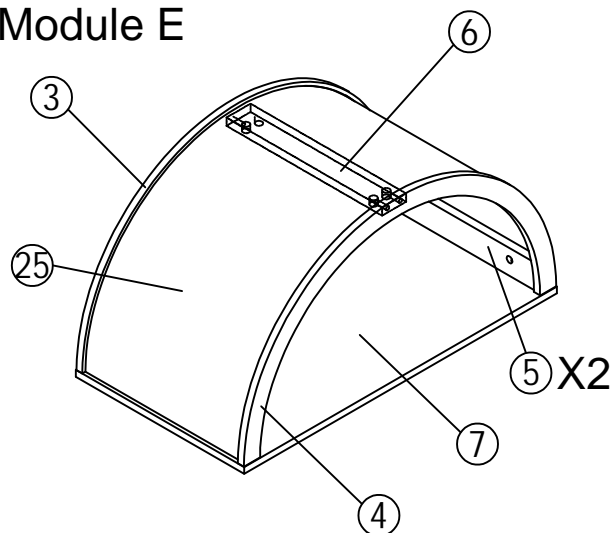
Module C



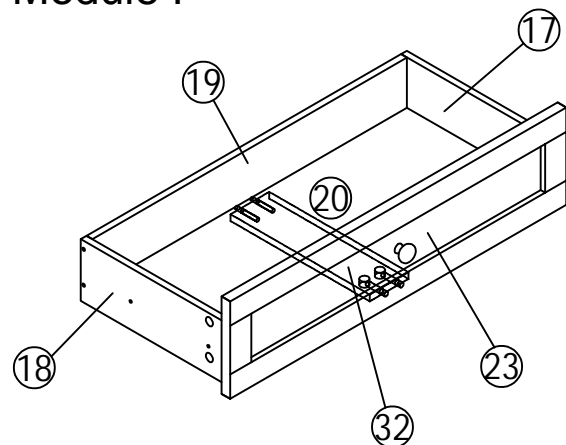
Module D



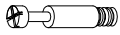

Module E

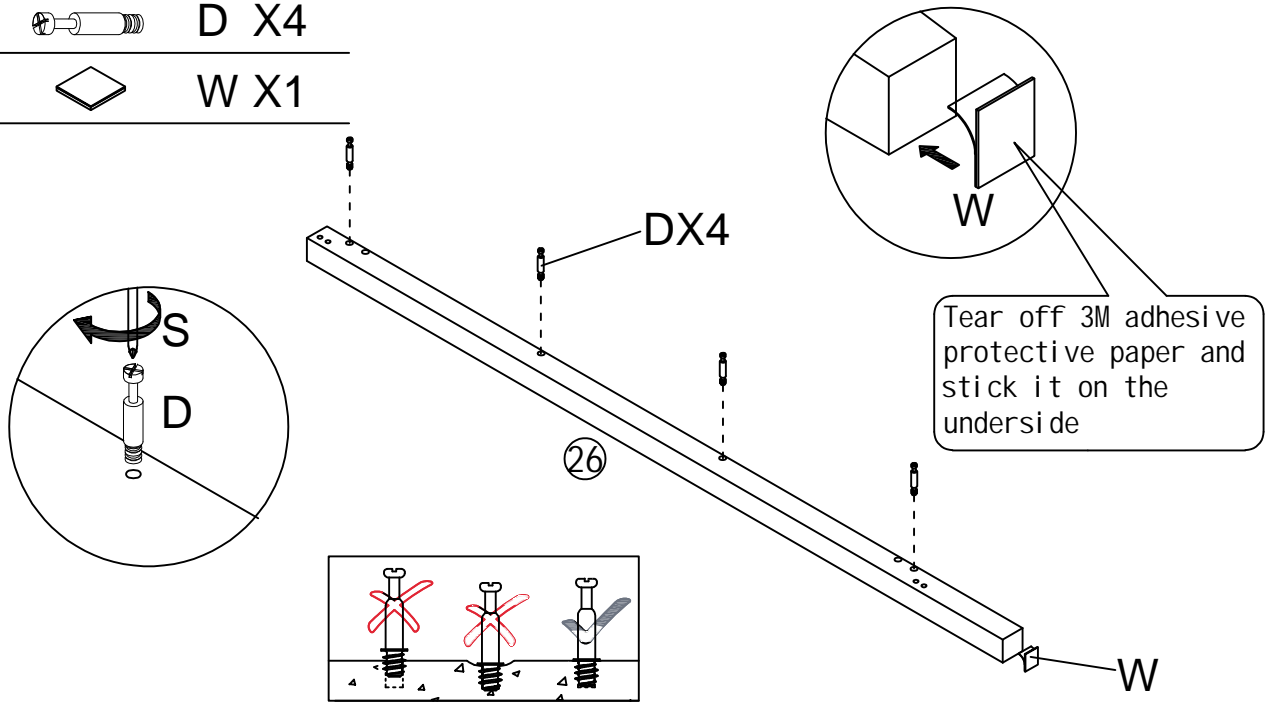


Module F

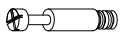



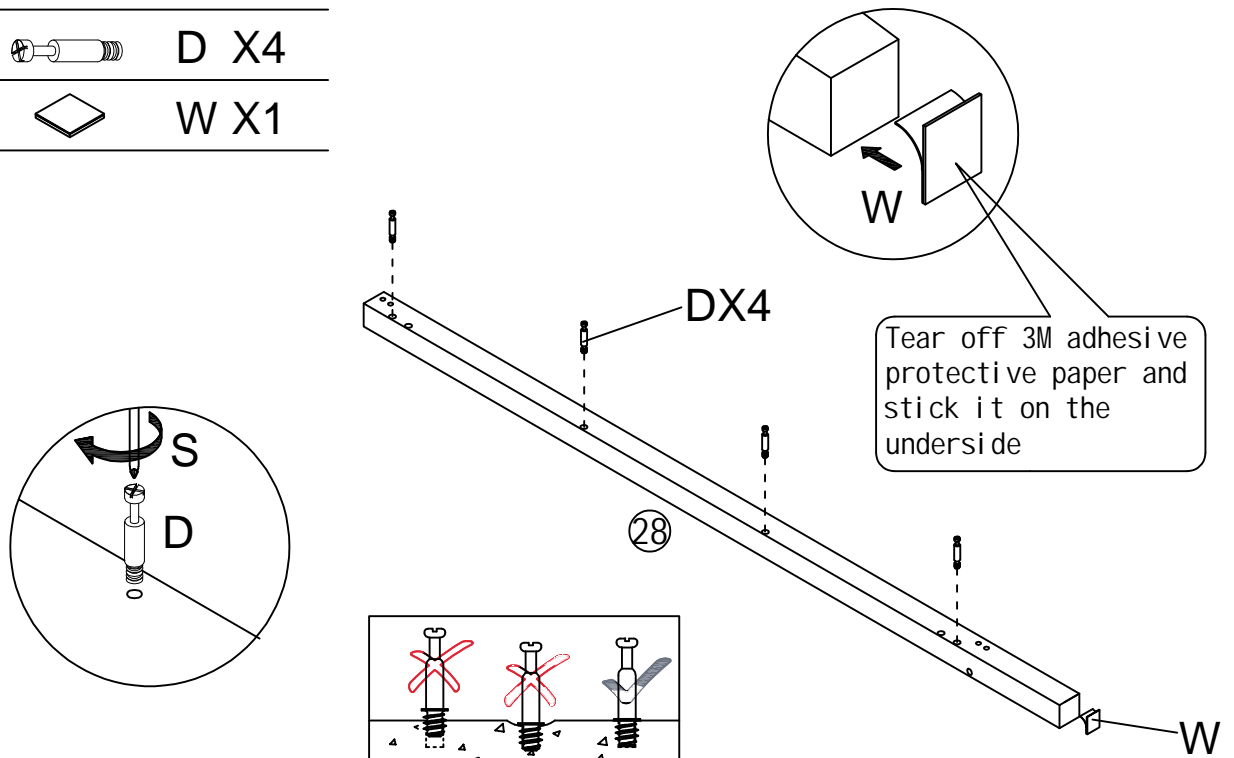
STEP1

-  D X4
-  W X1




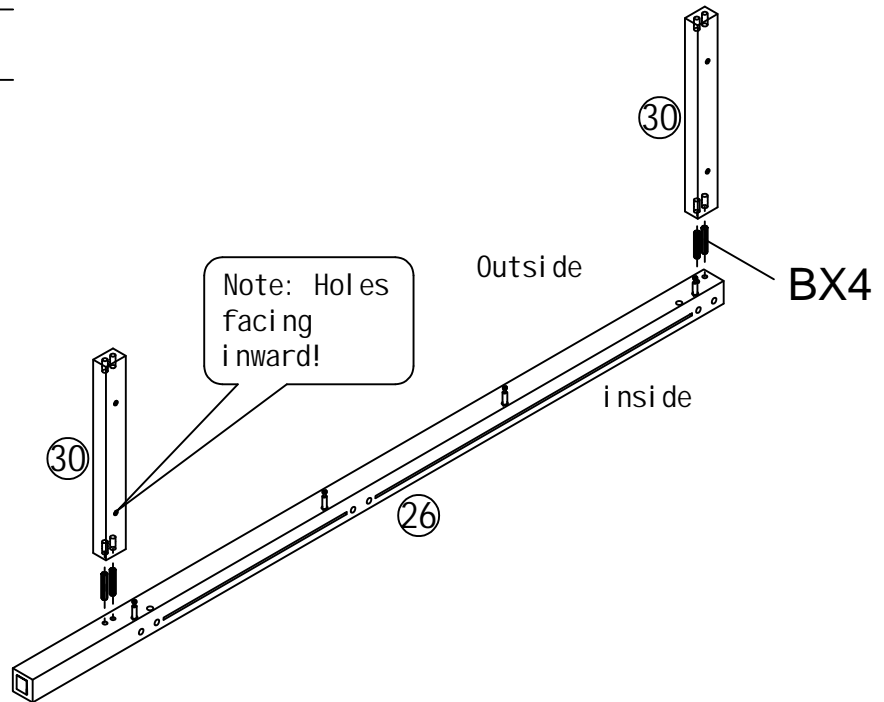
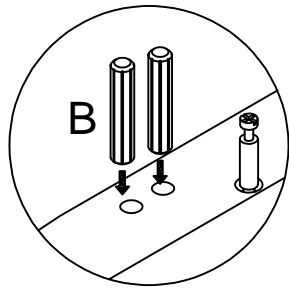
STEP2

-  D X4
-  W X1



STEP3

 B X4

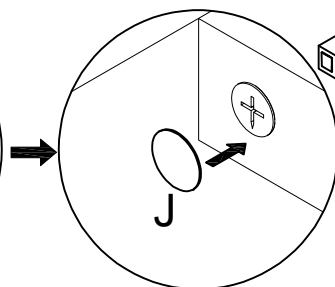
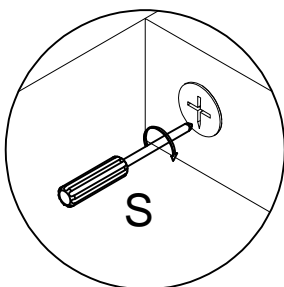
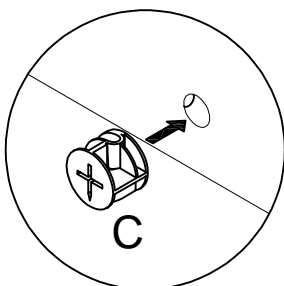


STEP4

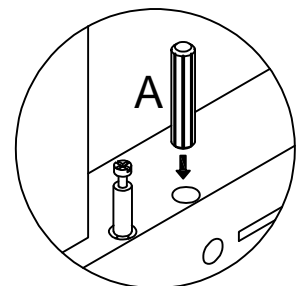
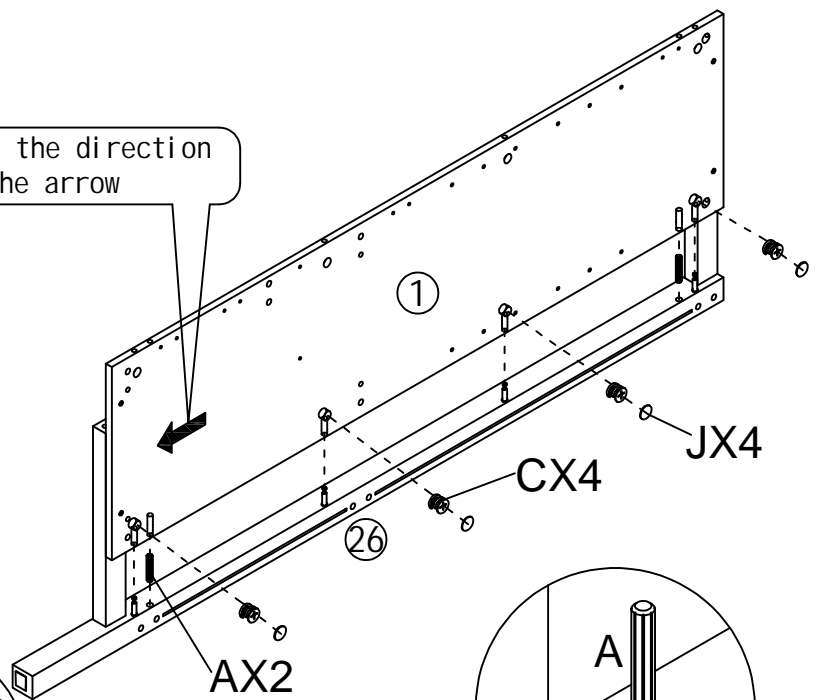
 A X2

 C X4





 J X4

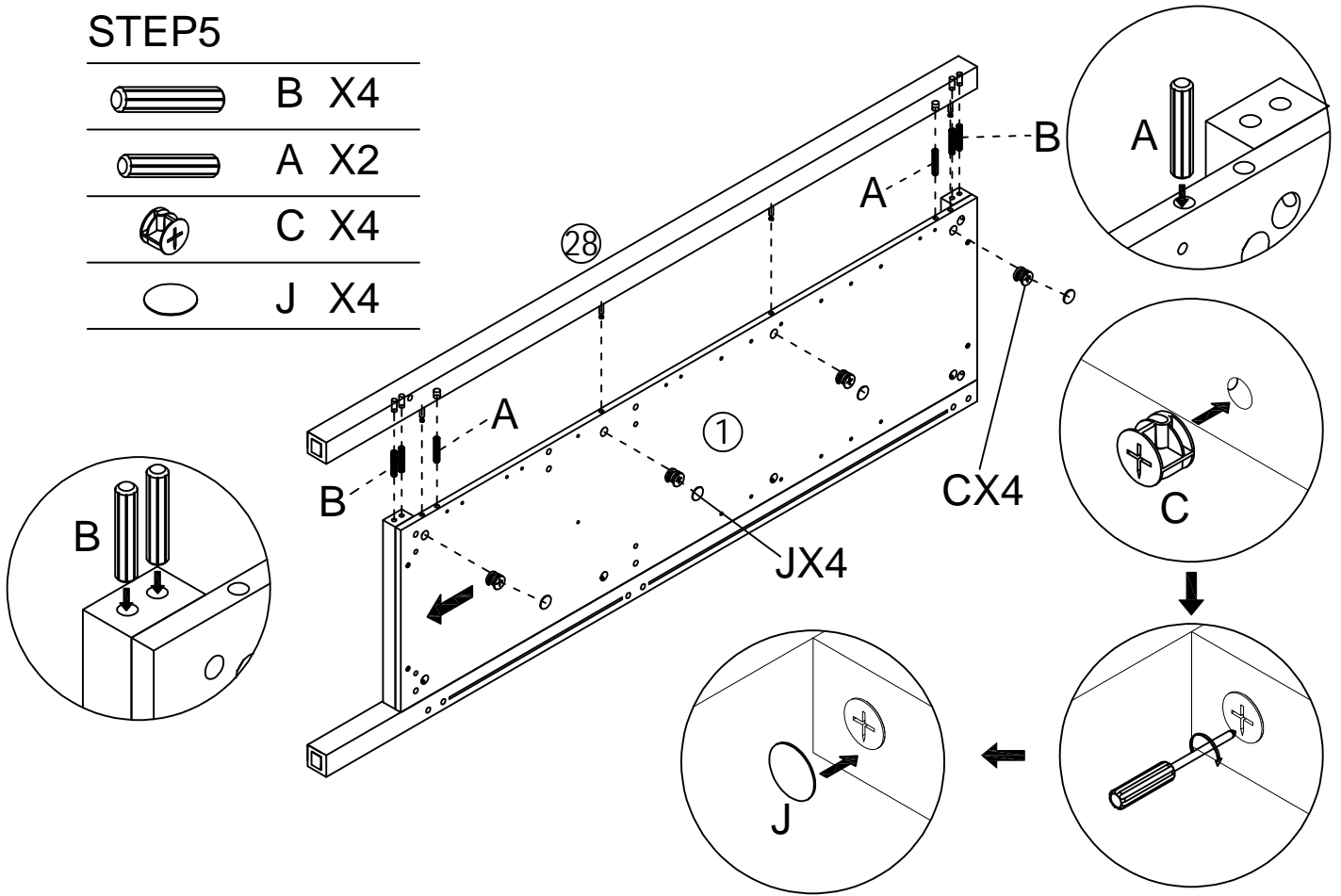


Note the direction of the arrow




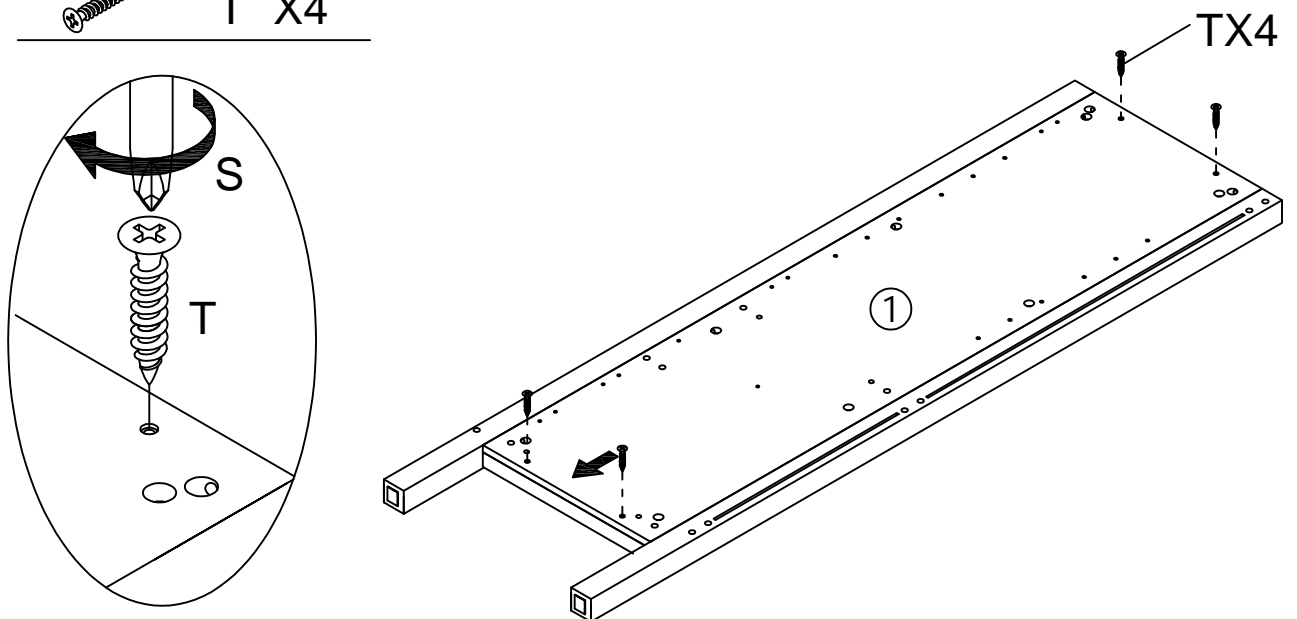
STEP5

	B X4
	A X2
	C X4
	J X4



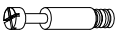


STEP6

	T X4
---	------

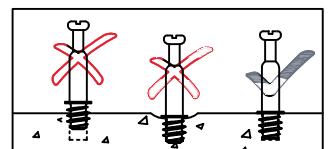
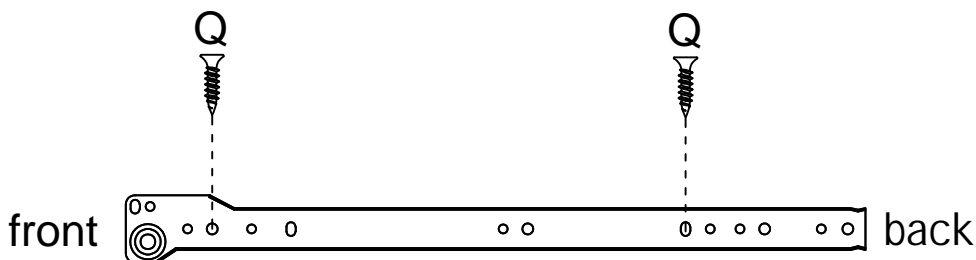
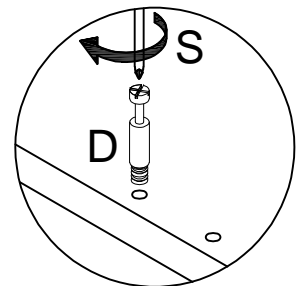
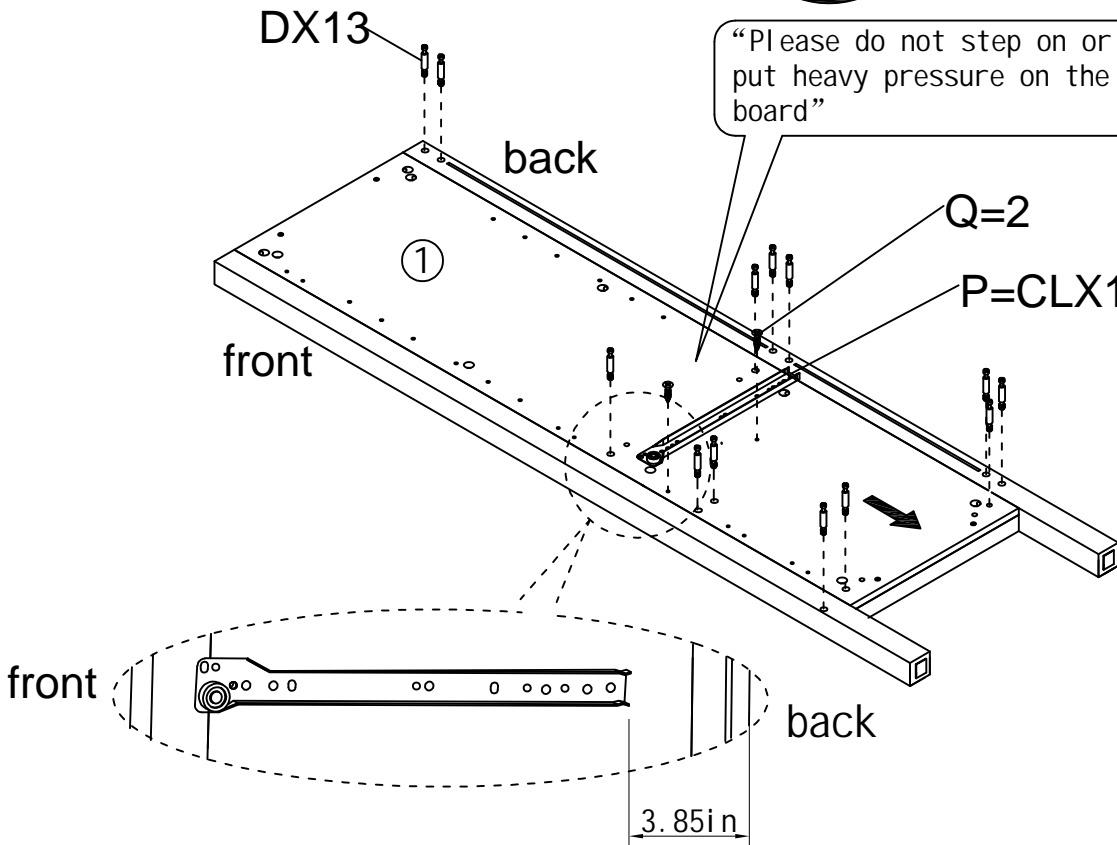


STEP 7

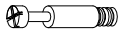
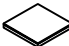
- | | |
|---|---------|
|  | P X1 CL |
|  | Q X2 |
|  | D X13 |

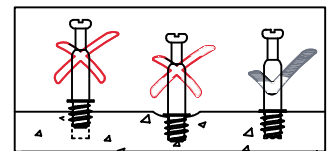
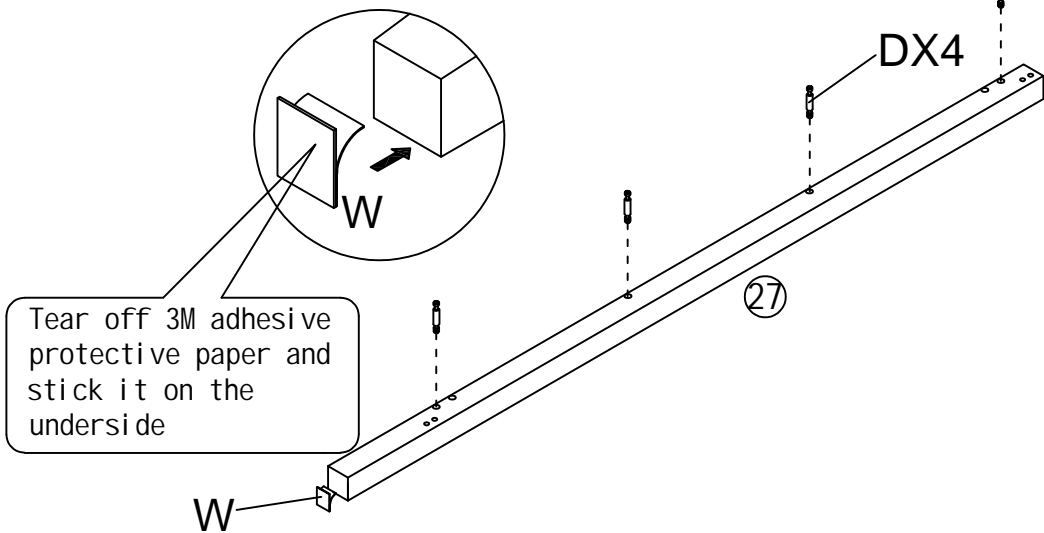
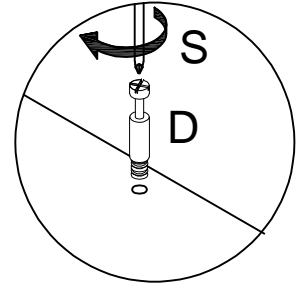


“Please do not step on or put heavy pressure on the board”

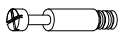
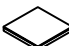


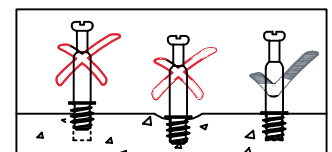
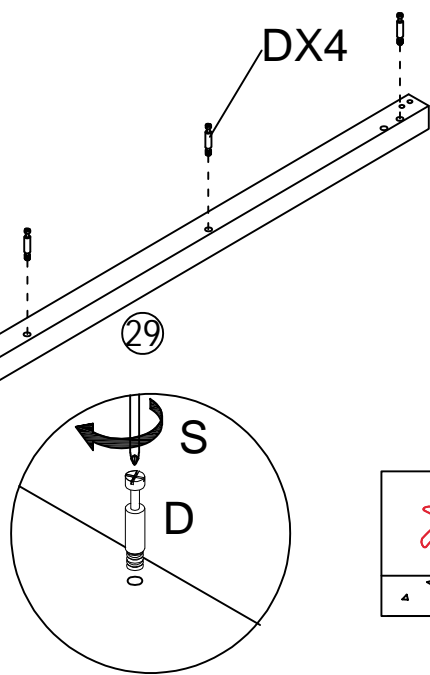
STEP8

-  D X4
-  W X1

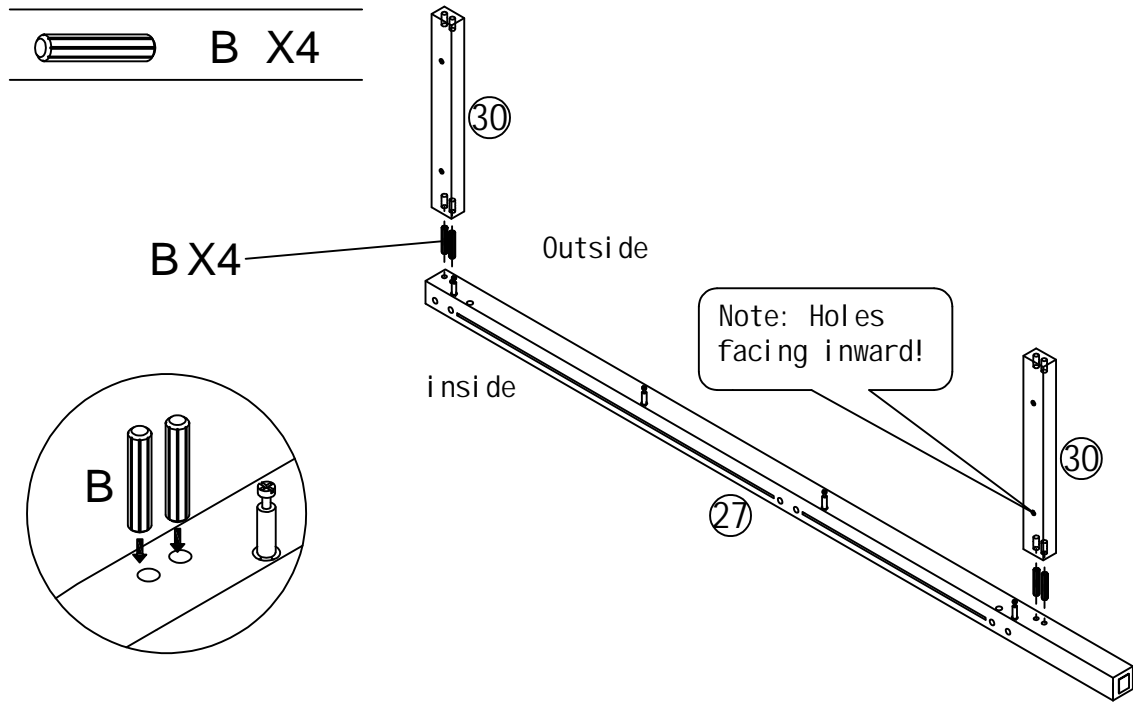


STEP9

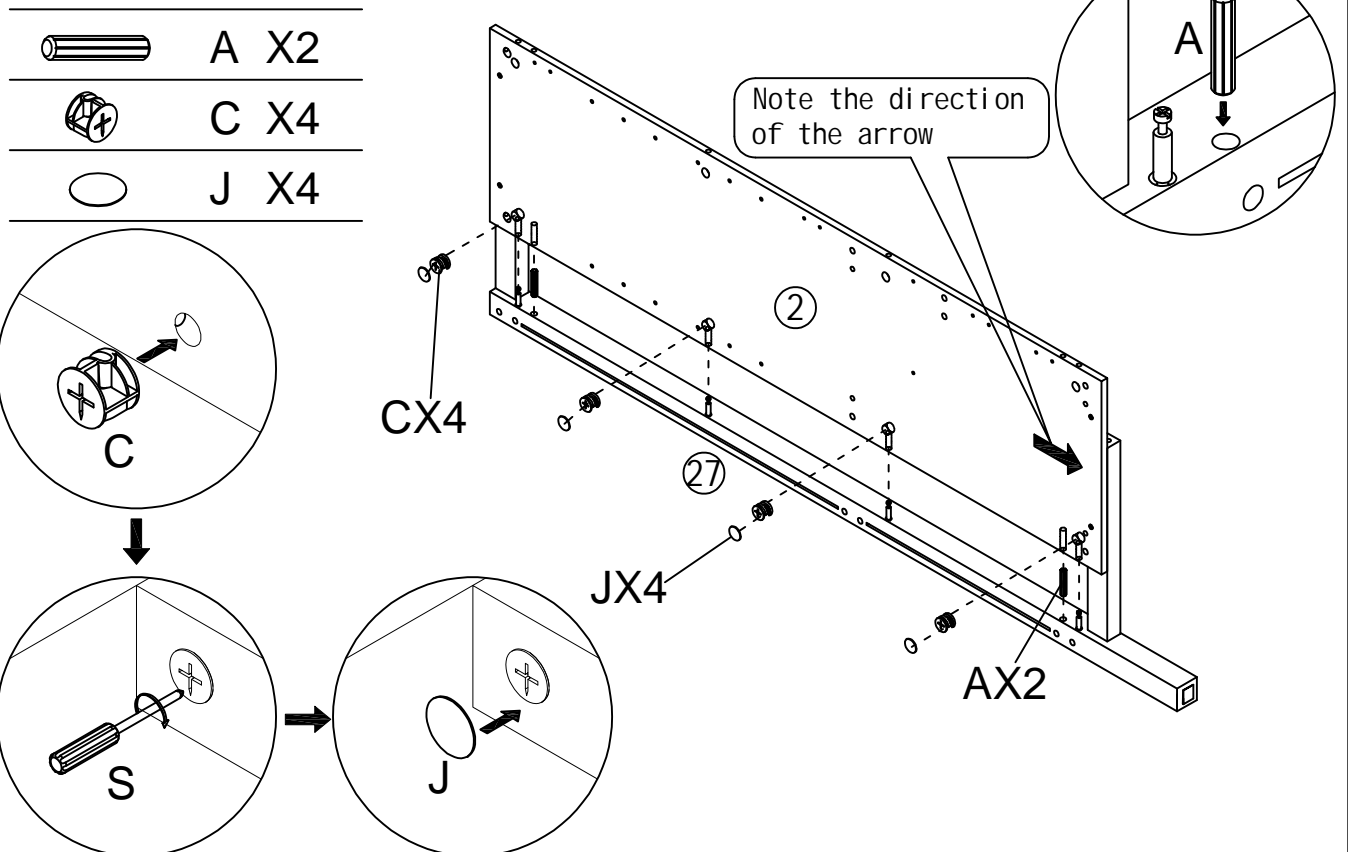
-  D X4
-  W X1




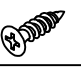
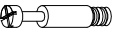
STEP10

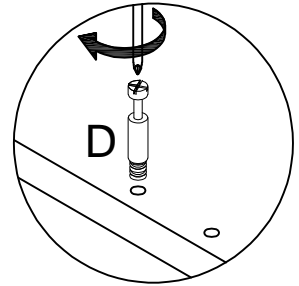


STEP11

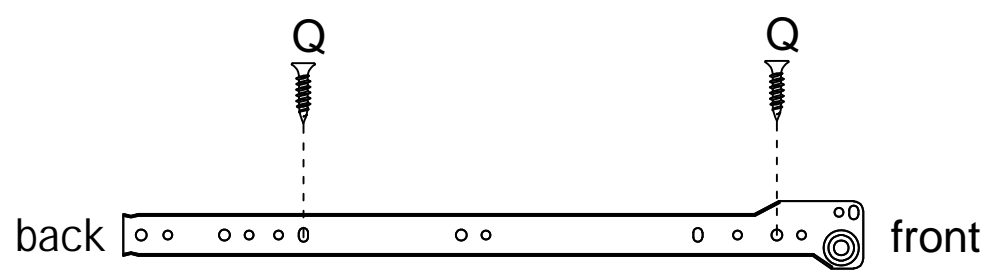
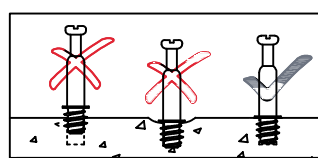
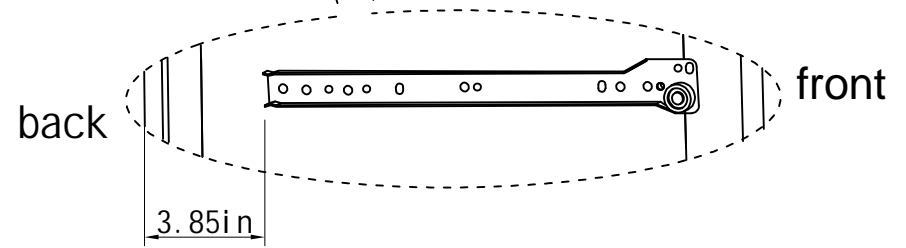
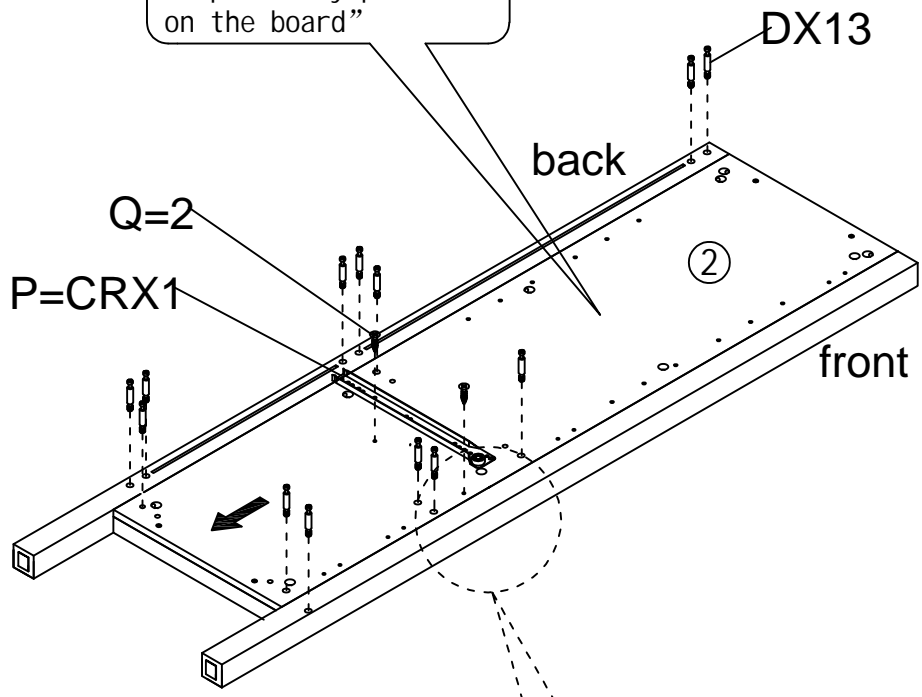


STEP14

- | | |
|---|---------|
|  | P X1 CR |
|  | Q X2 |
|  | D X13 |

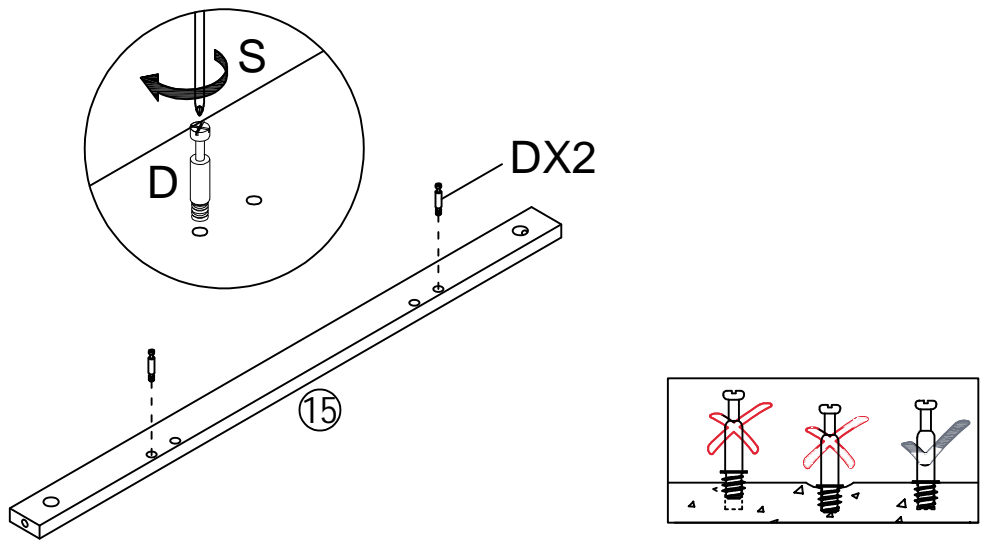


“Please do not step on or put heavy pressure on the board”





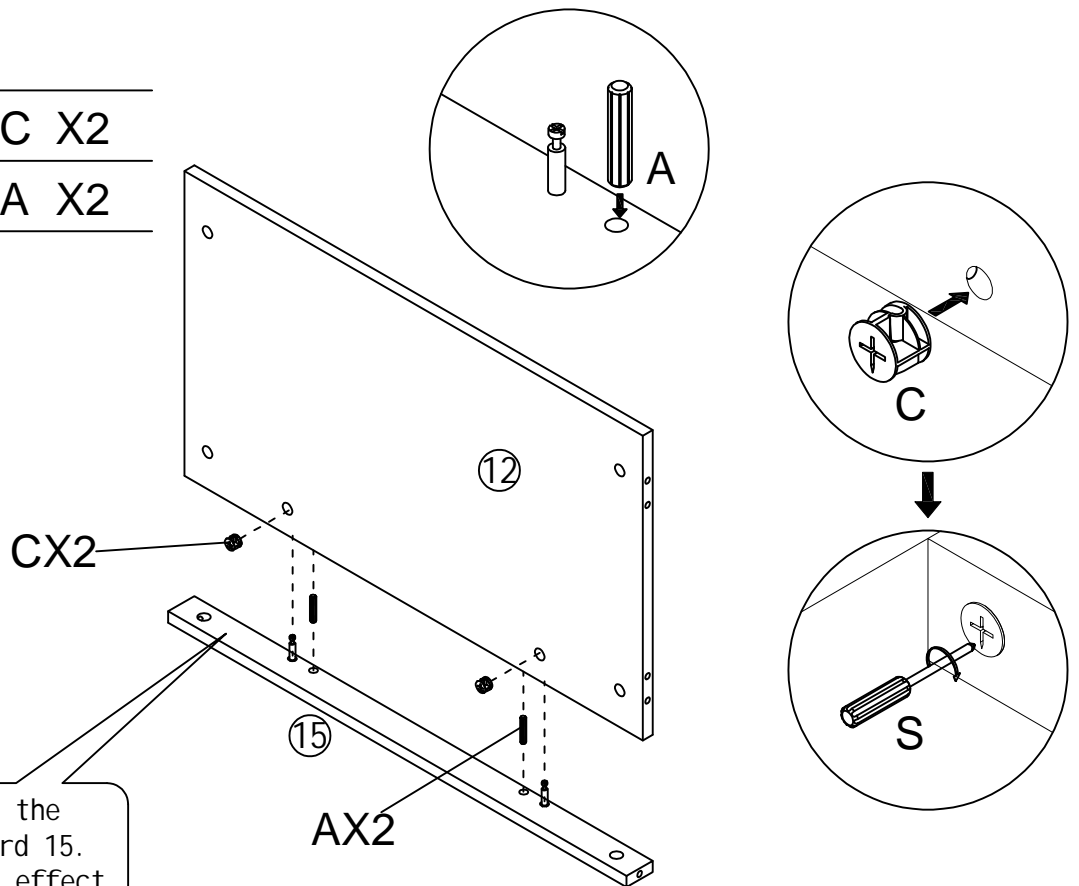
STEP 15

-  D X2



STEP 16

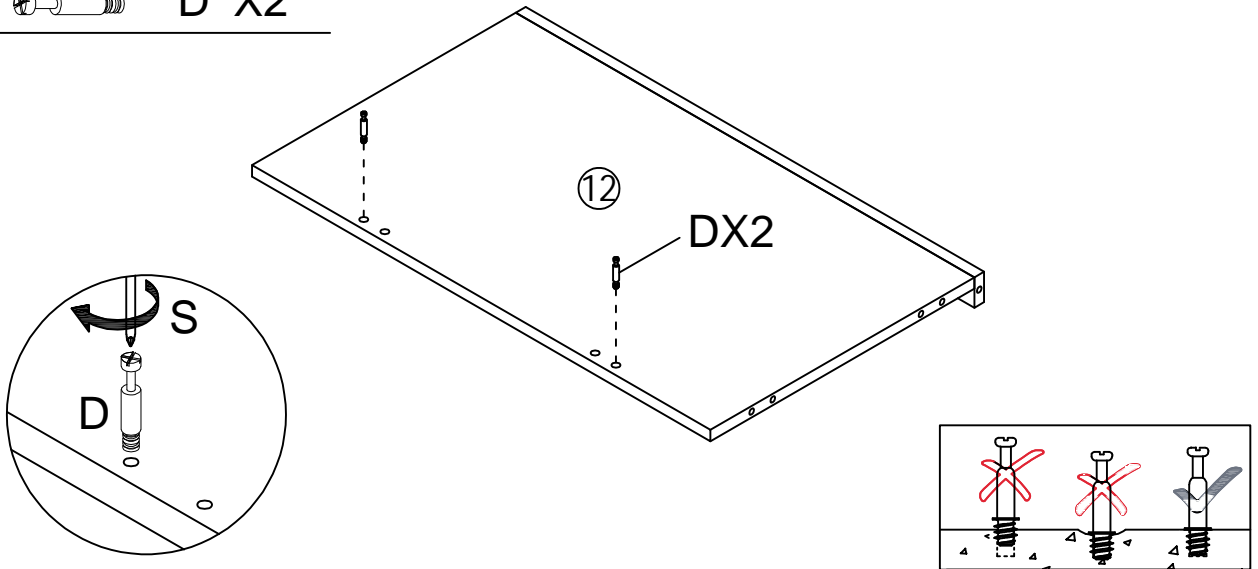
-  C X2
-  A X2



Pay attention to the direction of board 15. The installation effect is as shown in step 18.

STEP17

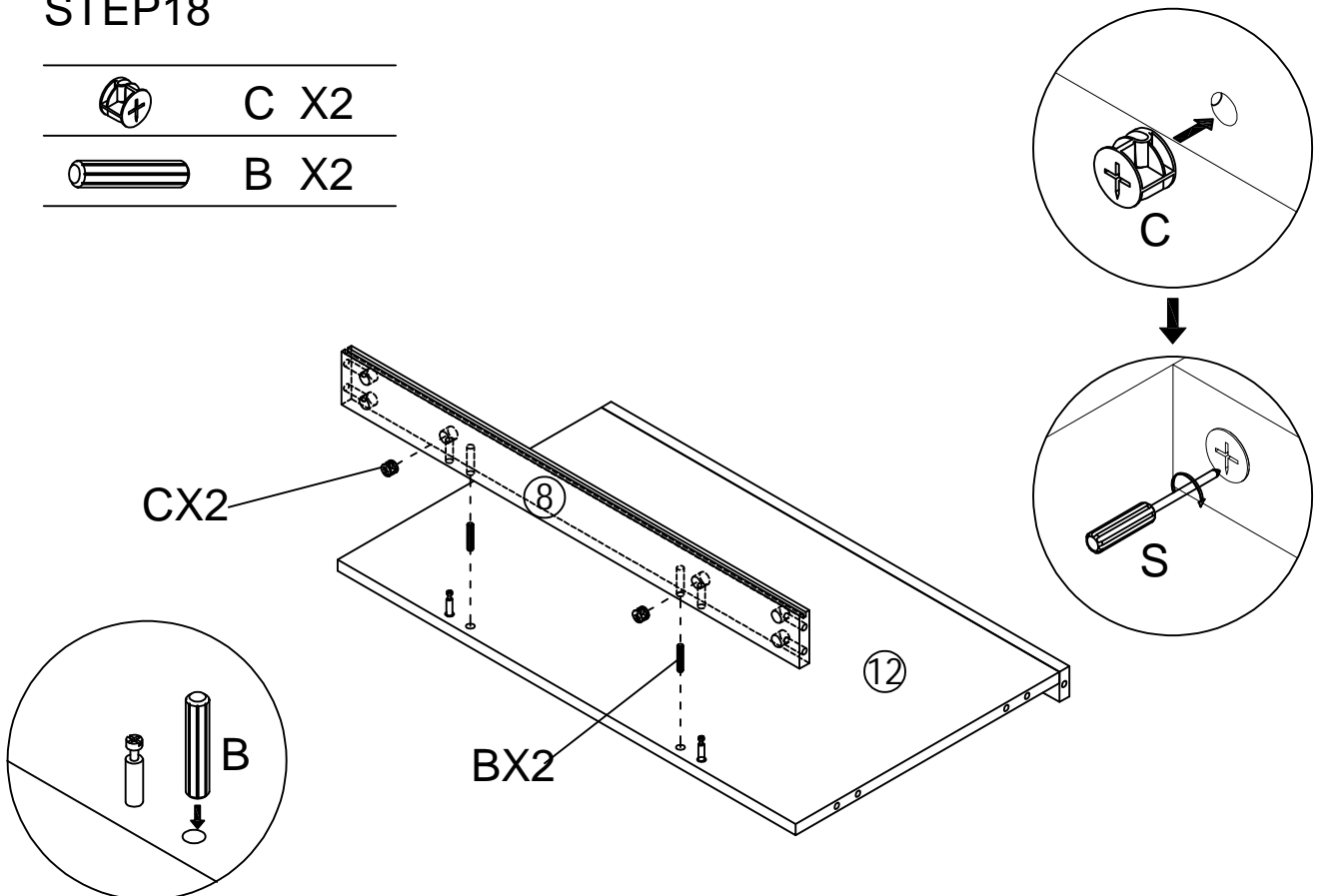
 D X2



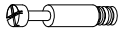
STEP18

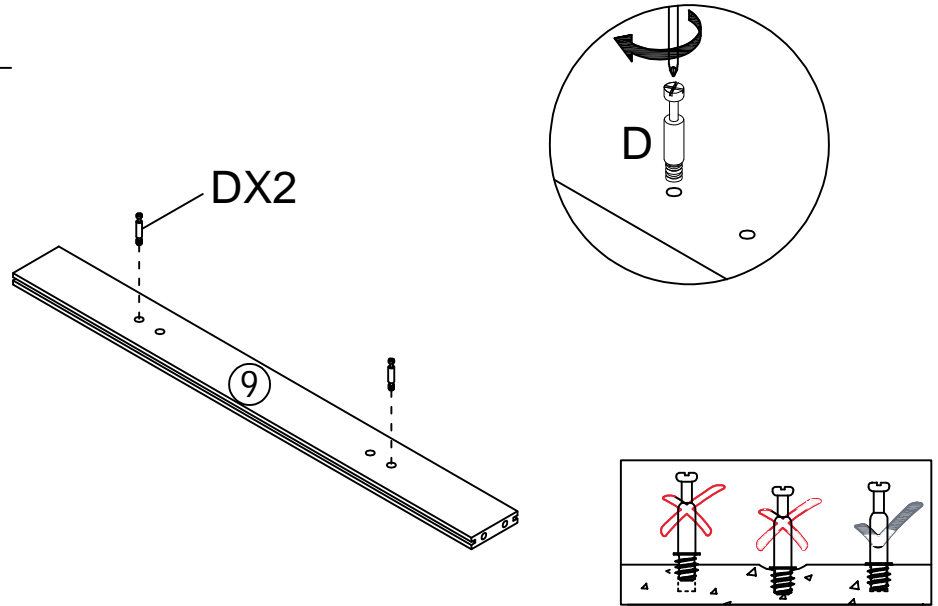
 C X2

 B X2





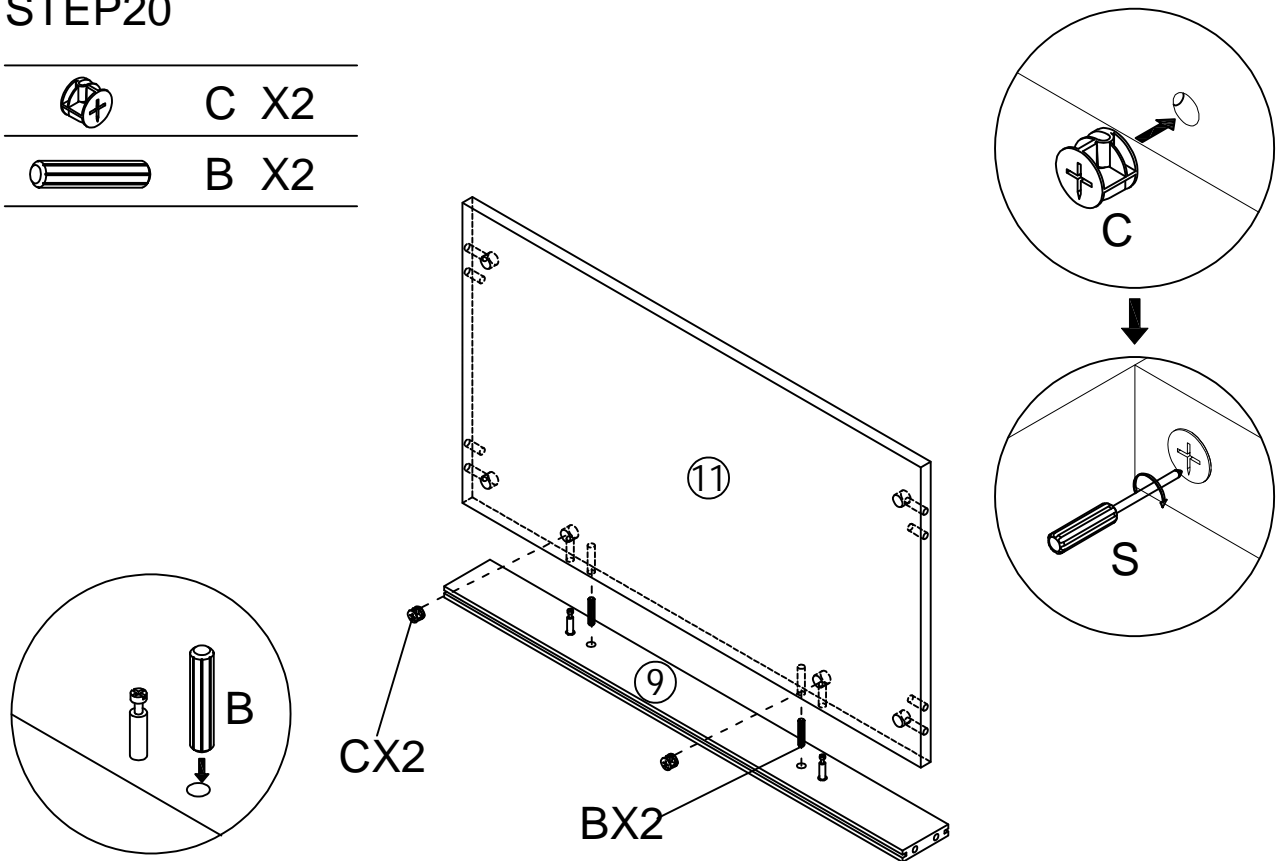
STEP19

-  D X2

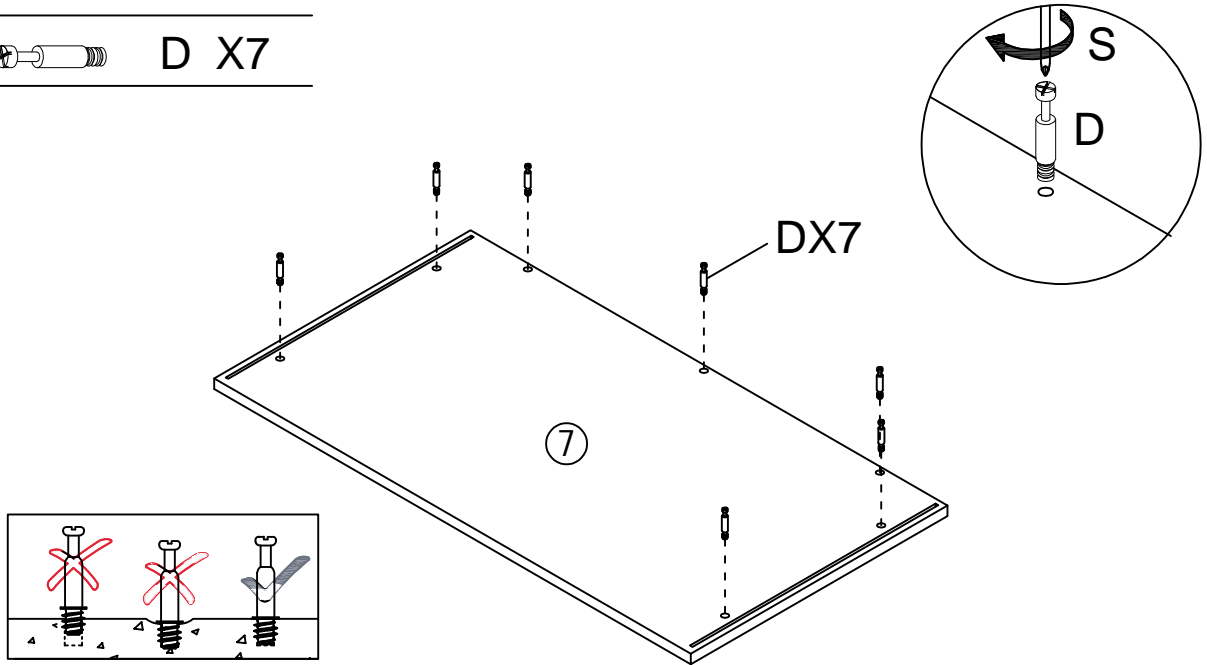


STEP20

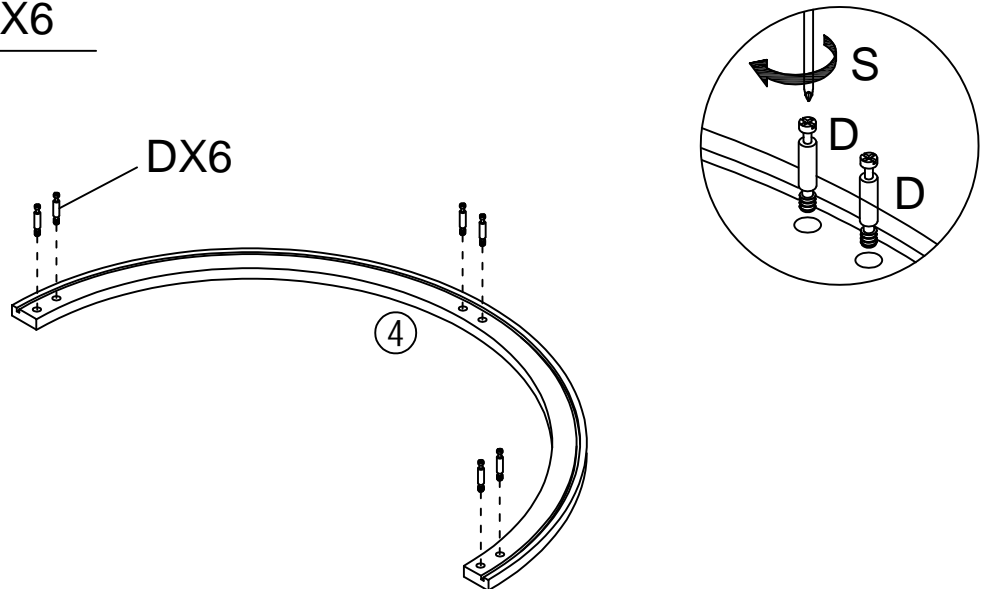
-  C X2
-  B X2



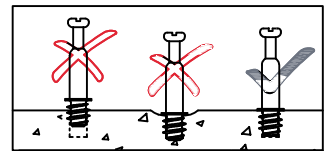
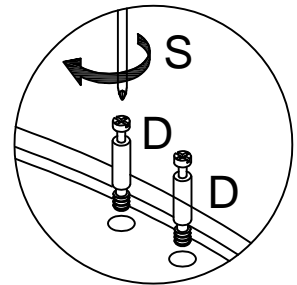
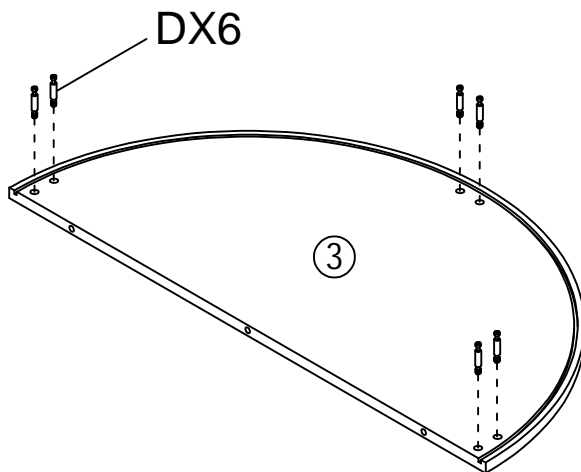
STEP21



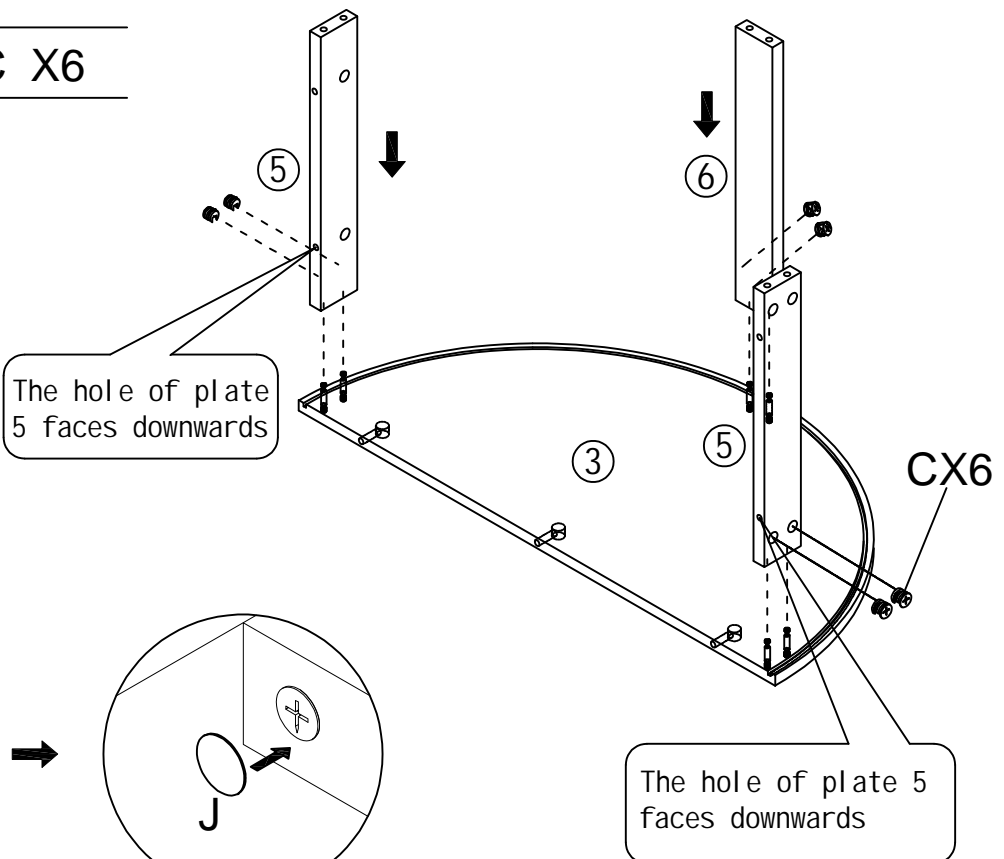
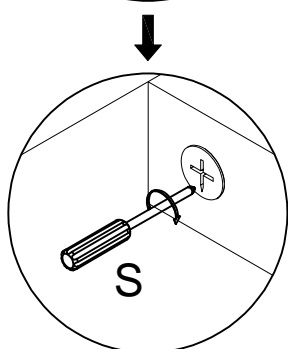
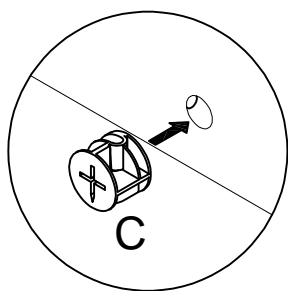
STEP22



STEP23



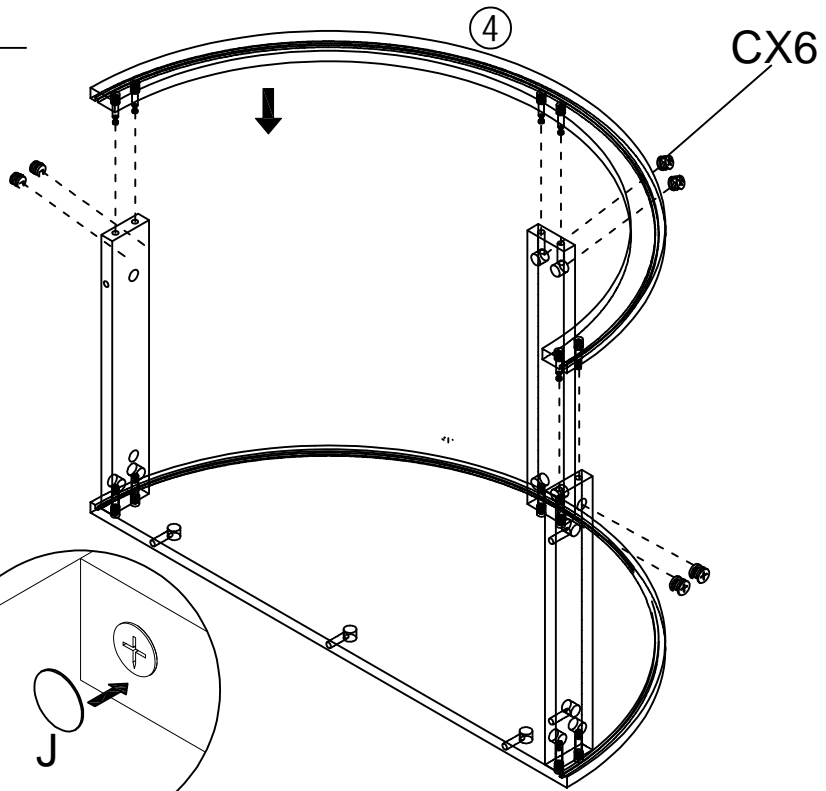
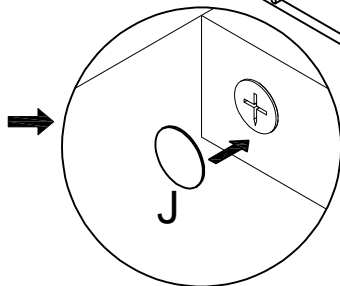
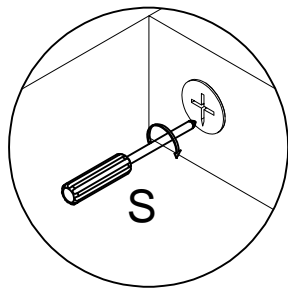
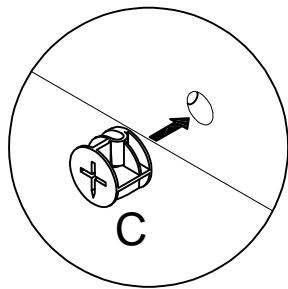
STEP24



STEP25

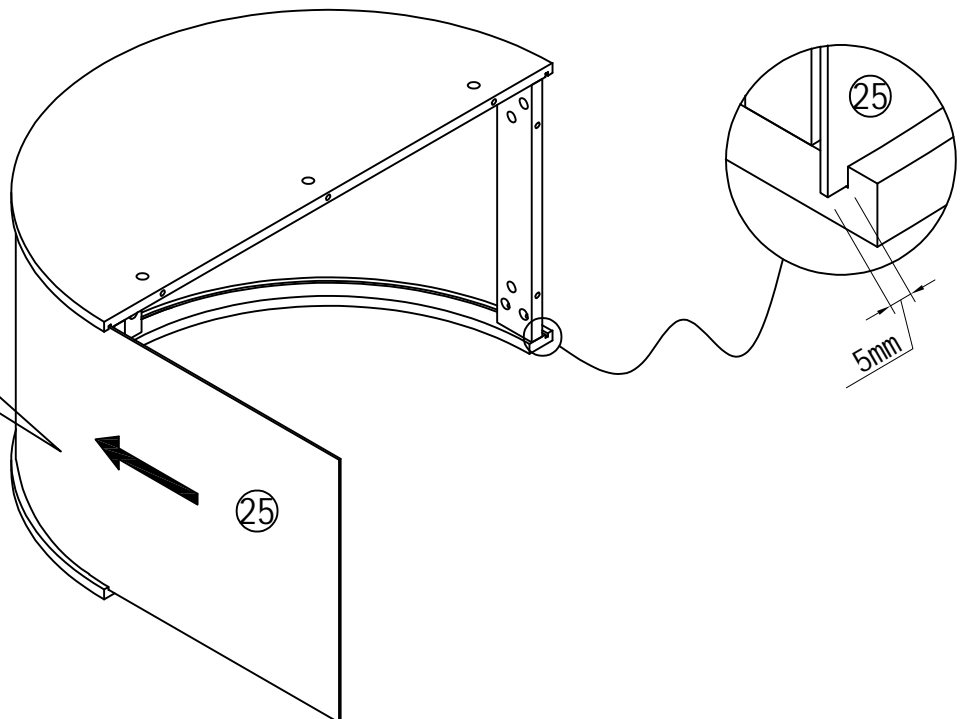


C X6





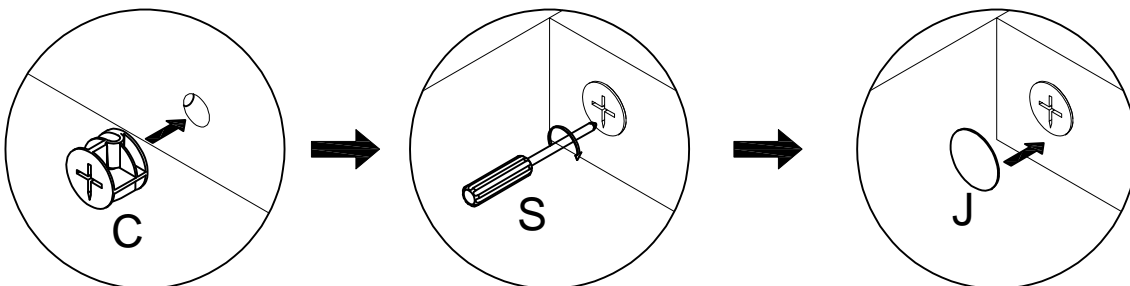
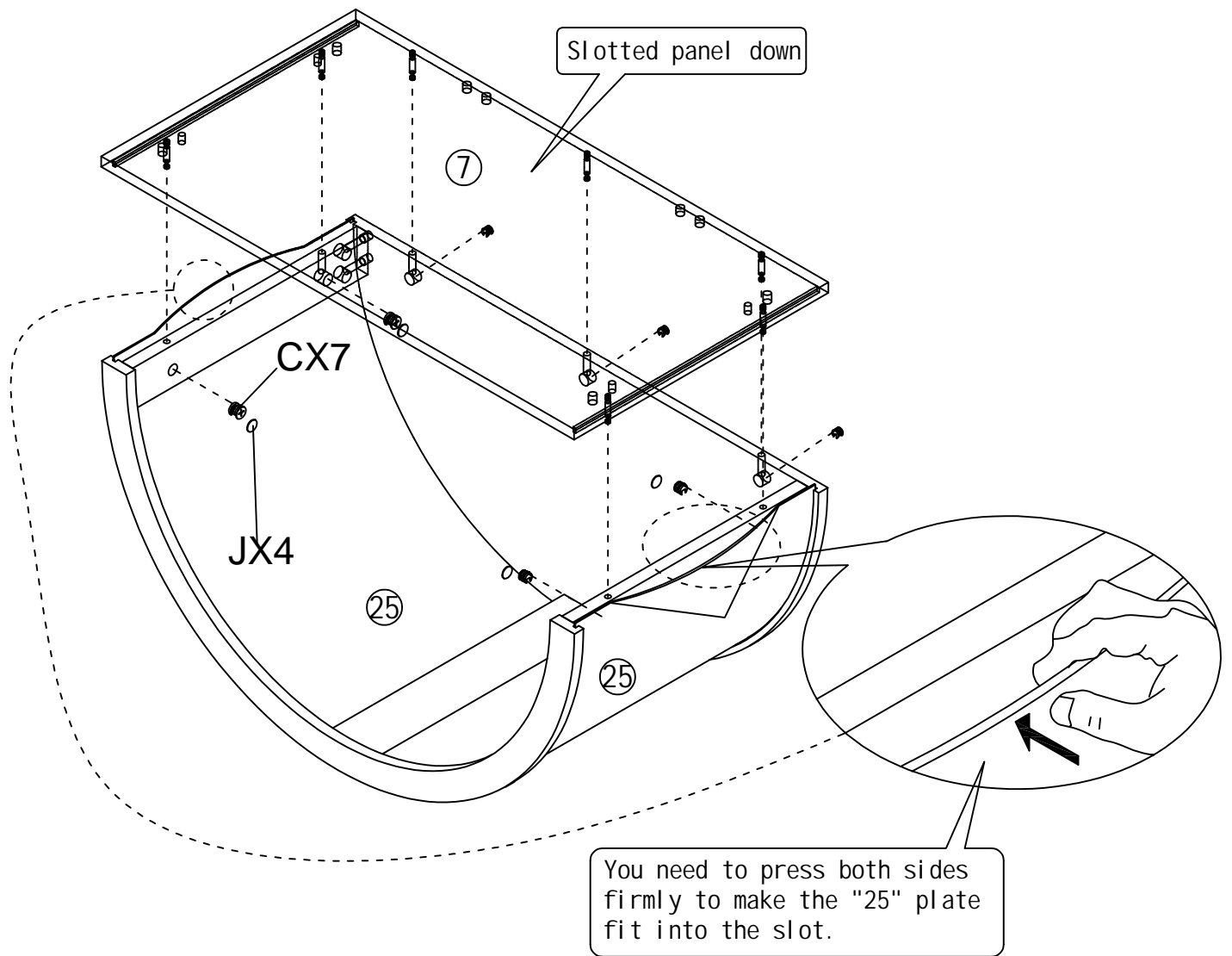
STEP26

Push the plate along the groove to the other end, leaving 5mm of space at both ends.

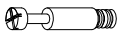





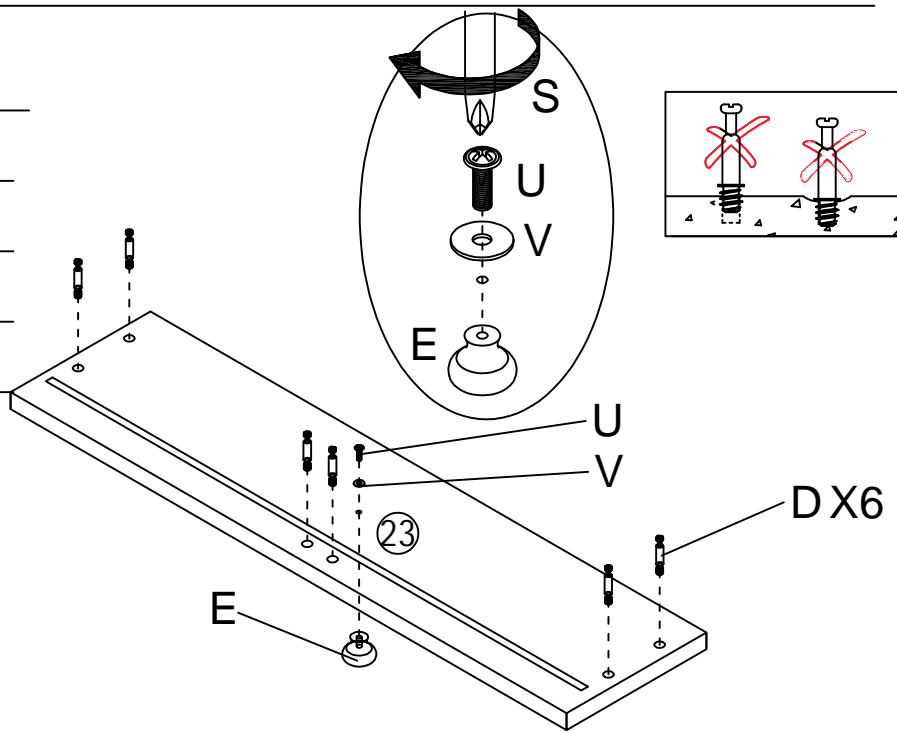
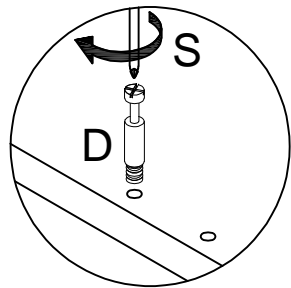
STEP27

	C X7
	J X4



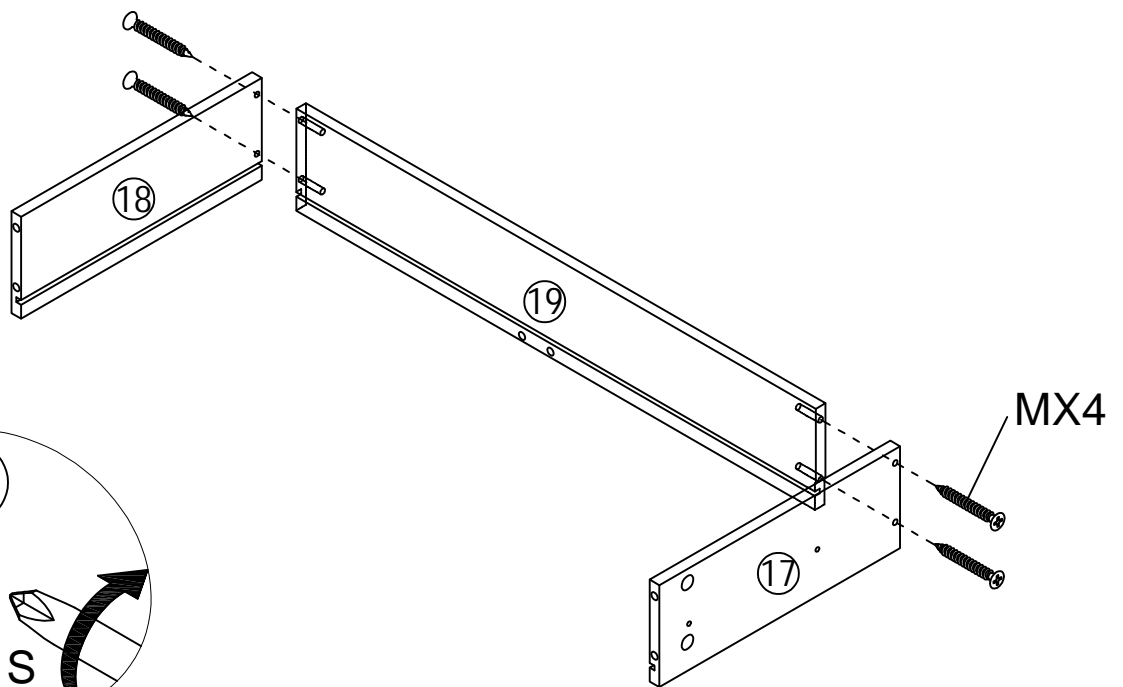
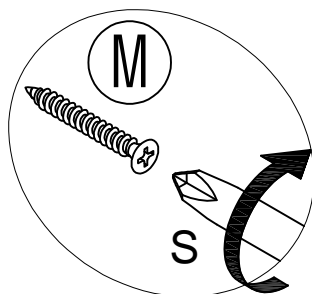
STEP28

	D X6
	E X1
	U X1
	V X1

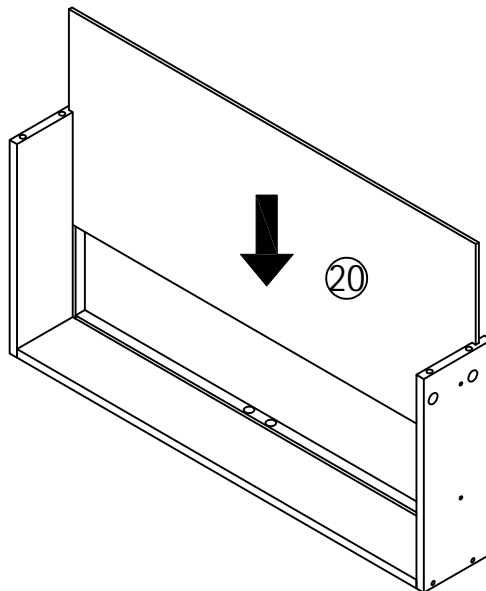


STEP29

	M X4
---	------



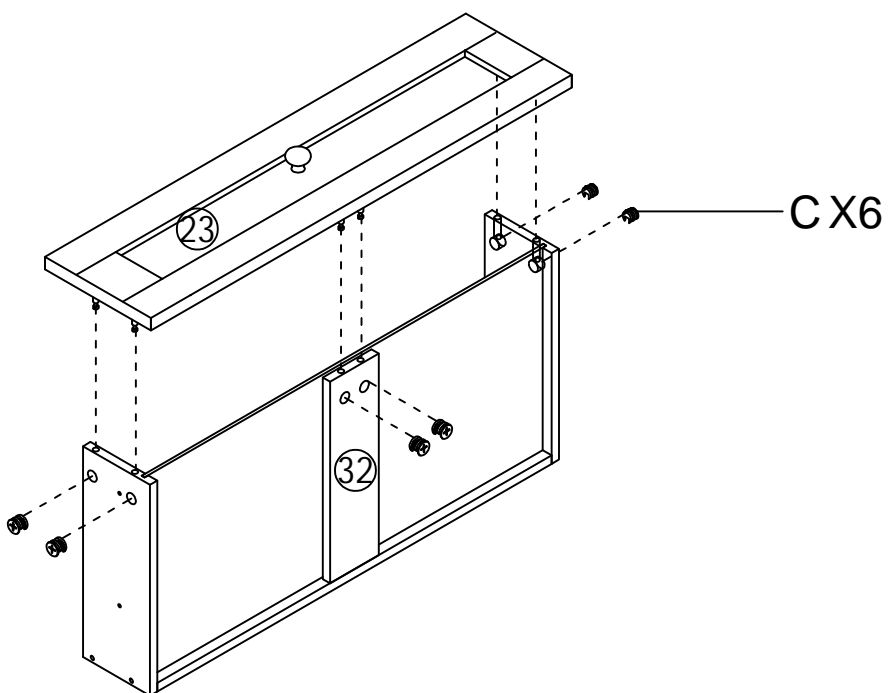
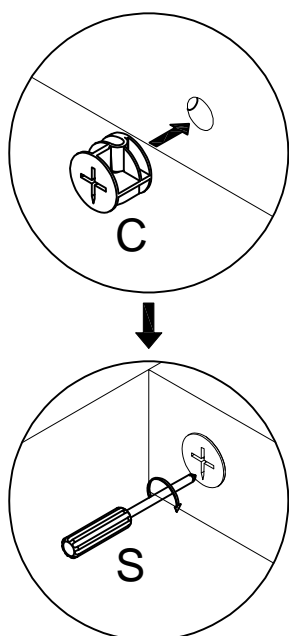
STEP30






STEP31

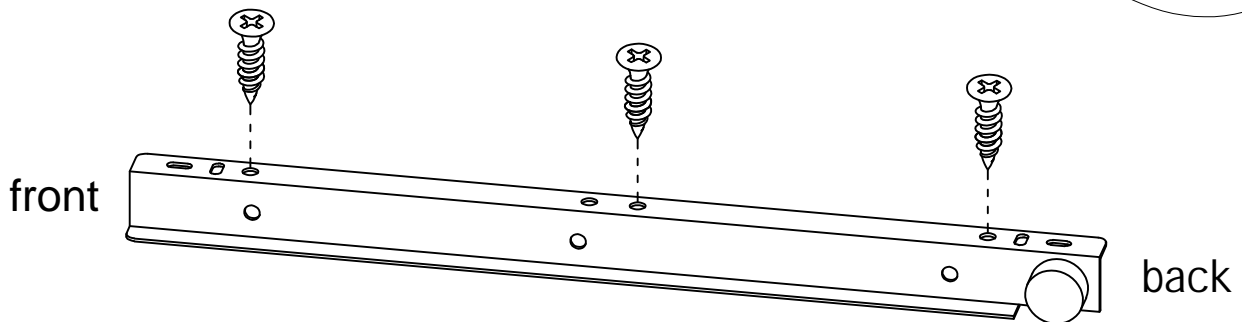
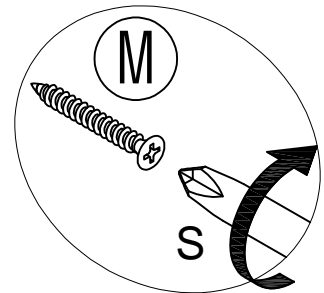
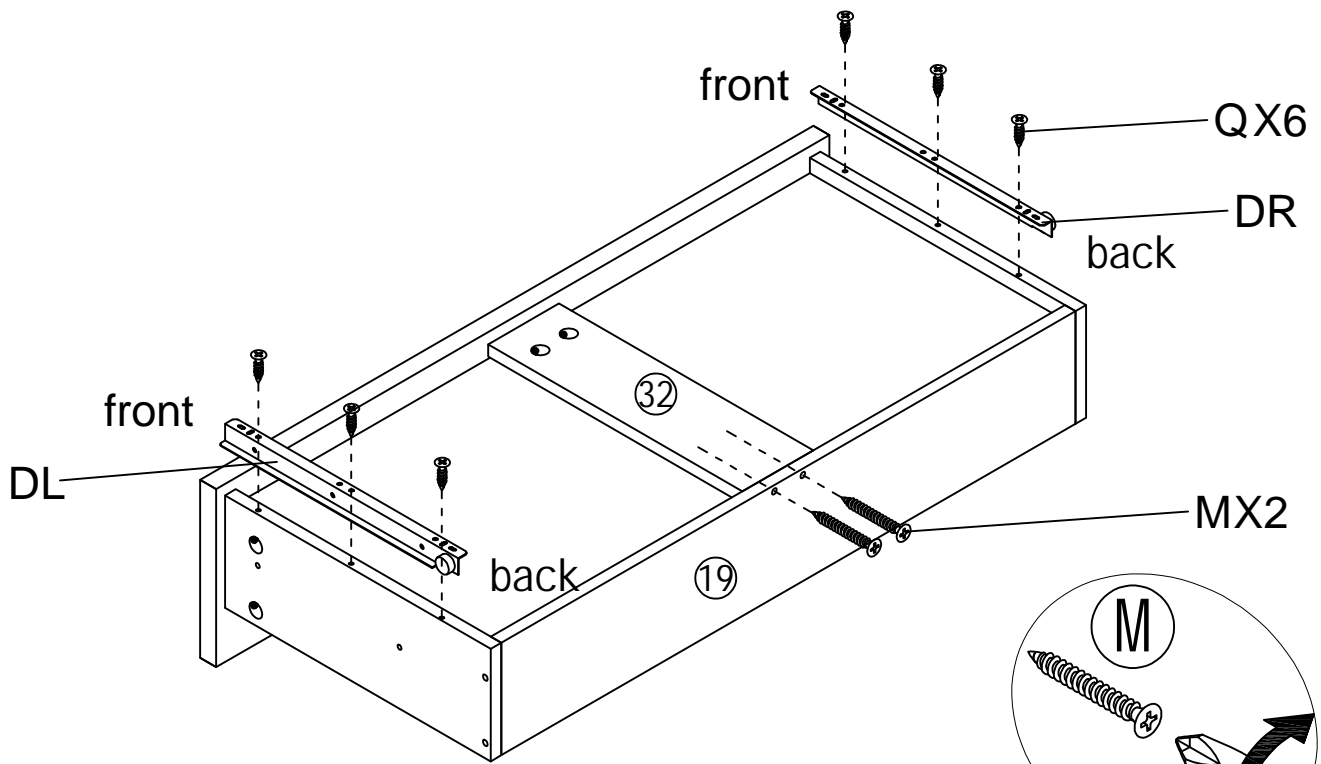
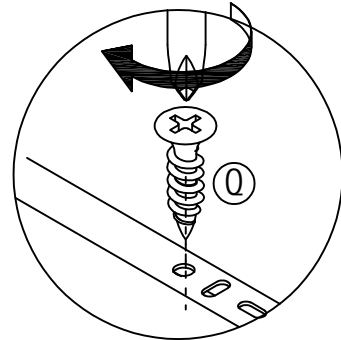


C X6







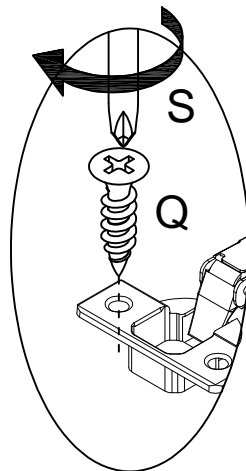
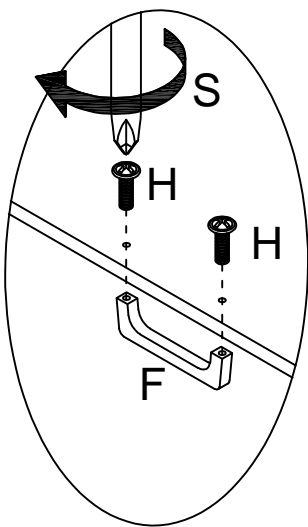
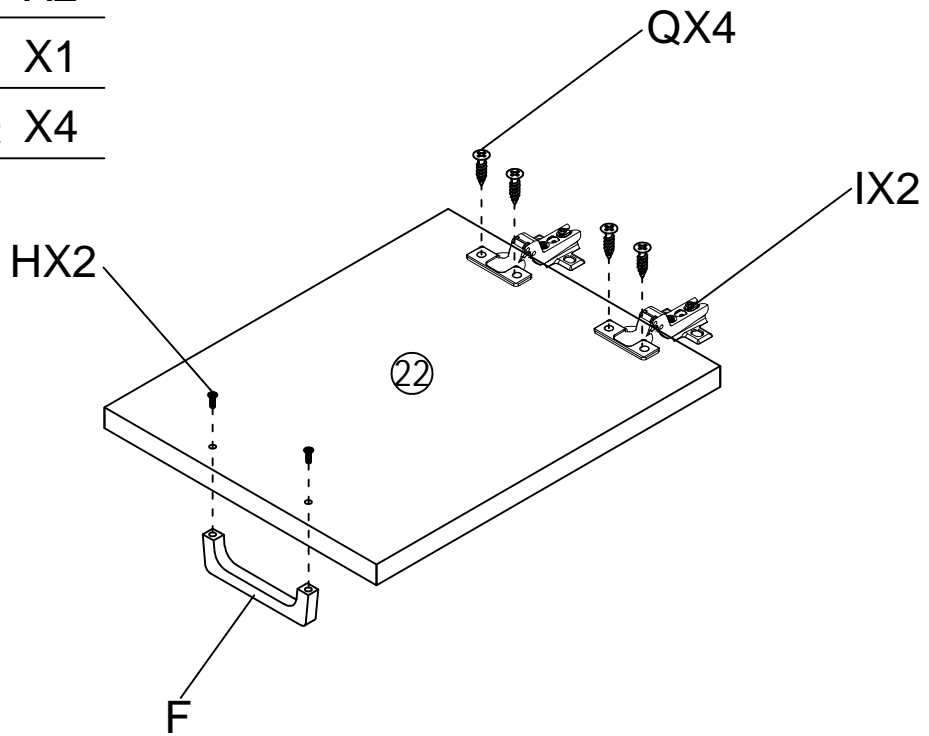
STEP32

-  P=DL/DR
-  Q X6
-  M X2







STEP33

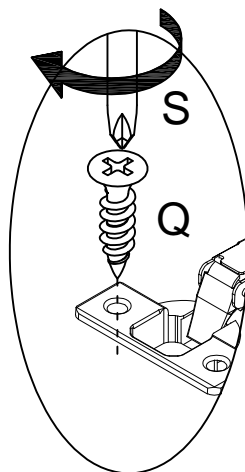
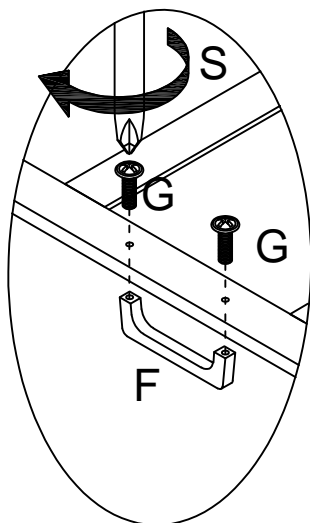
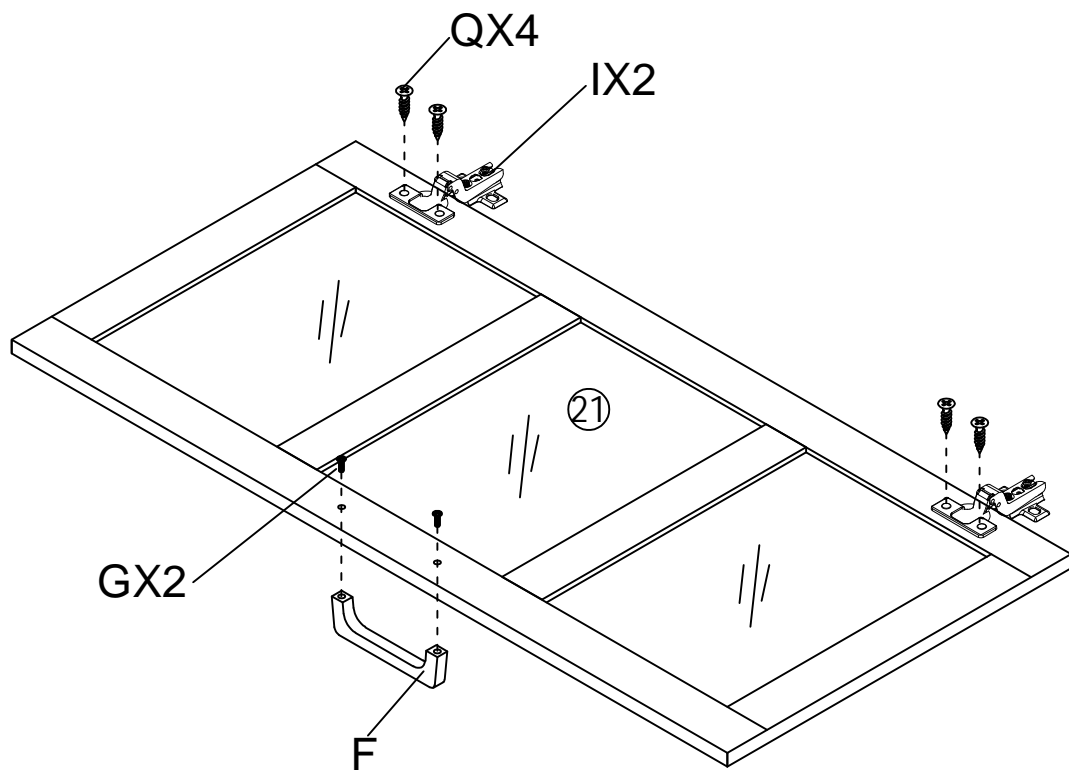
	I	X2
	H	X2
	F	X1
	Q	X4



X2



STEP34

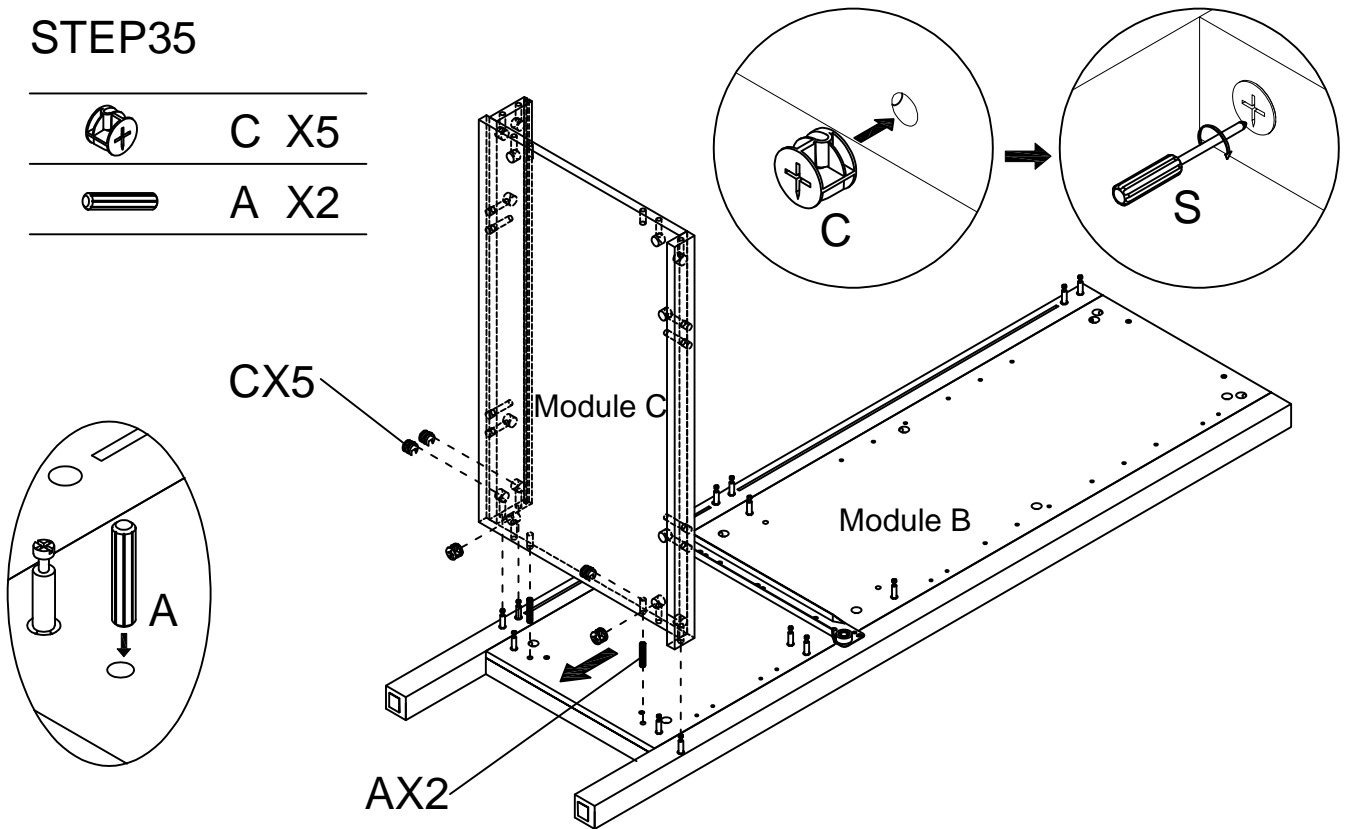
	I	X2
	G	X2
	F	X1
	Q	X4



X2

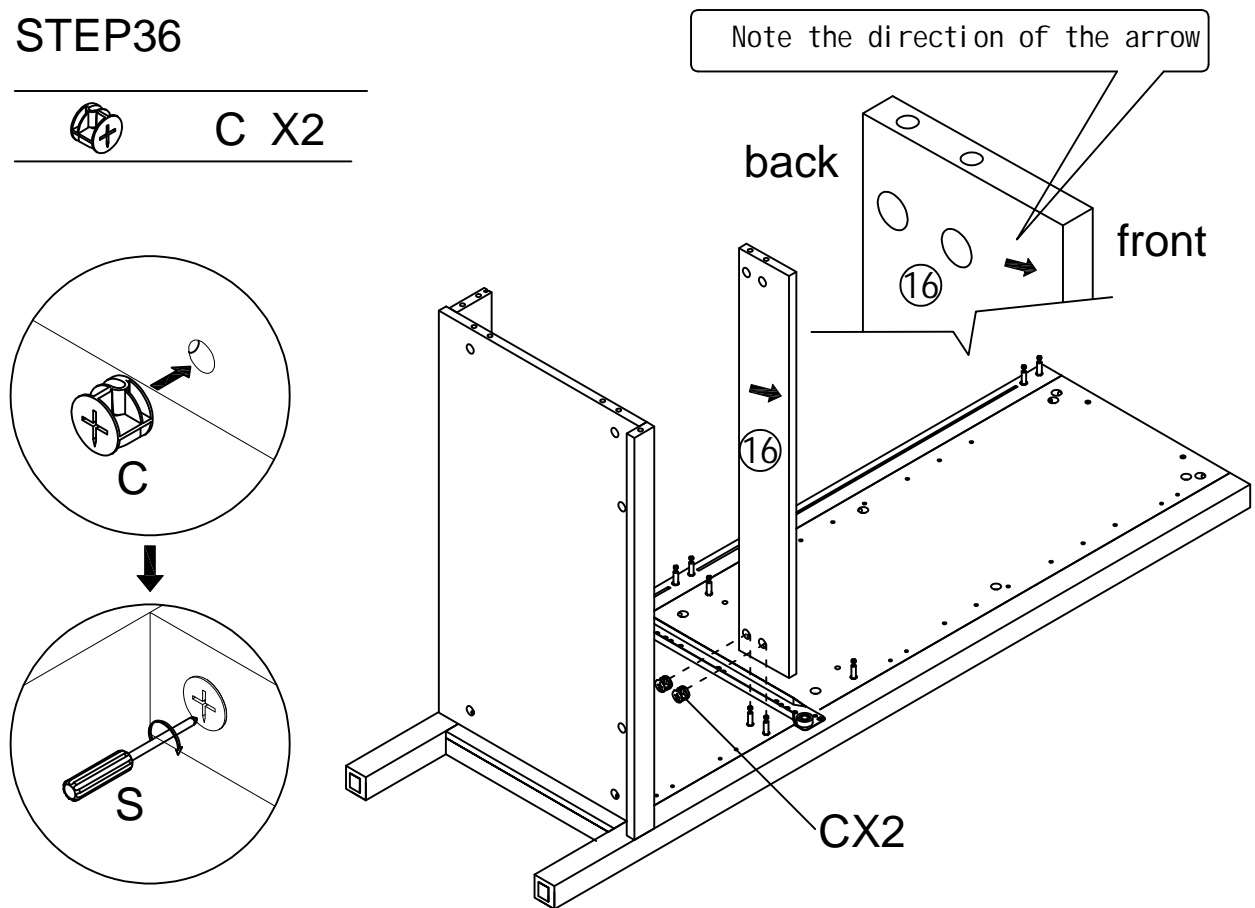
STEP35

	C X5
	A X2





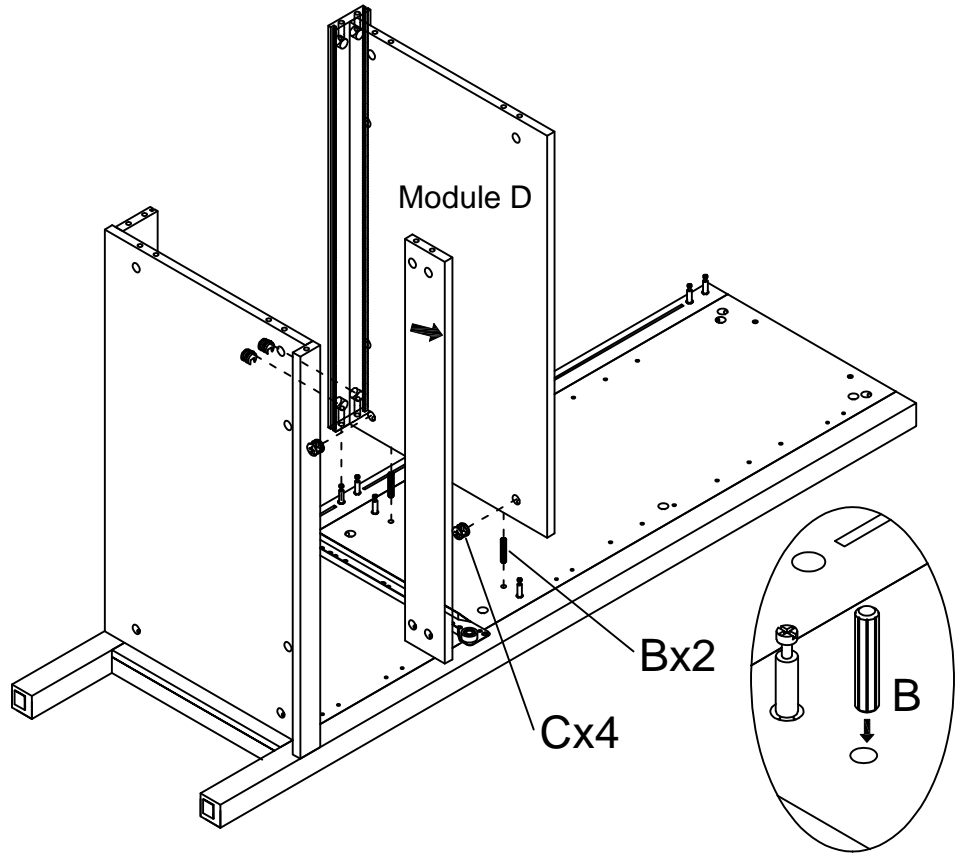
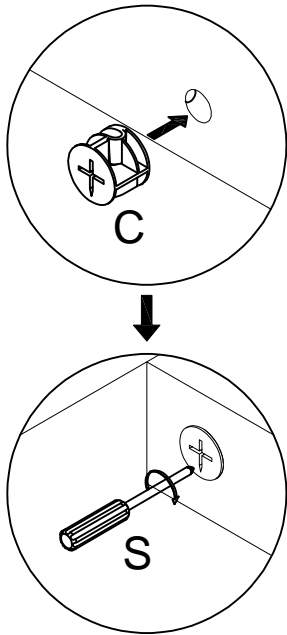
STEP36

	C X2
---	------

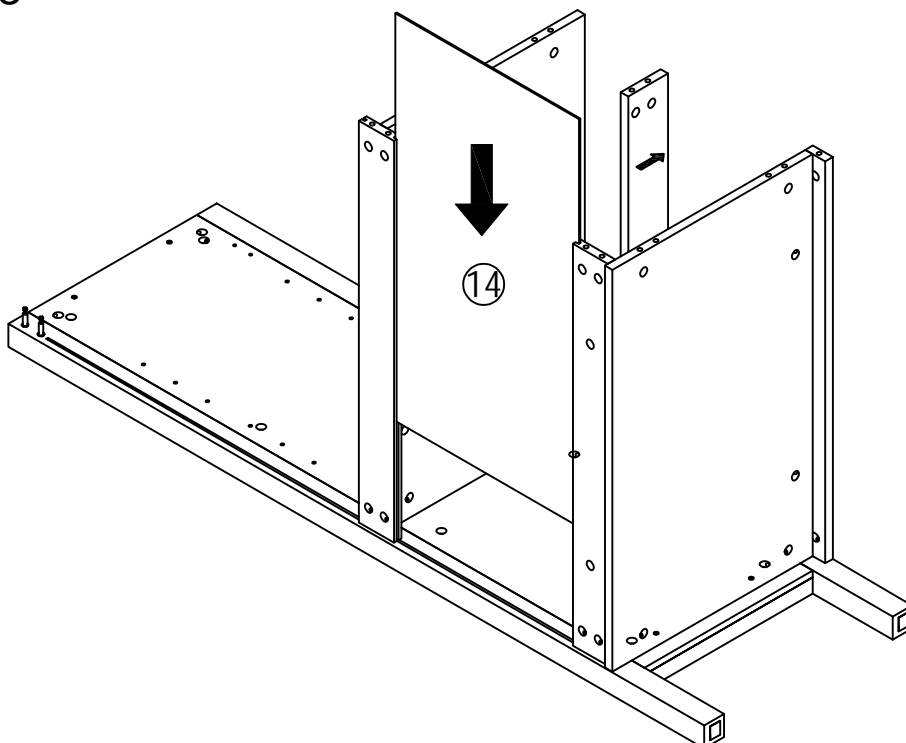


STEP37

	C X4
	B X2



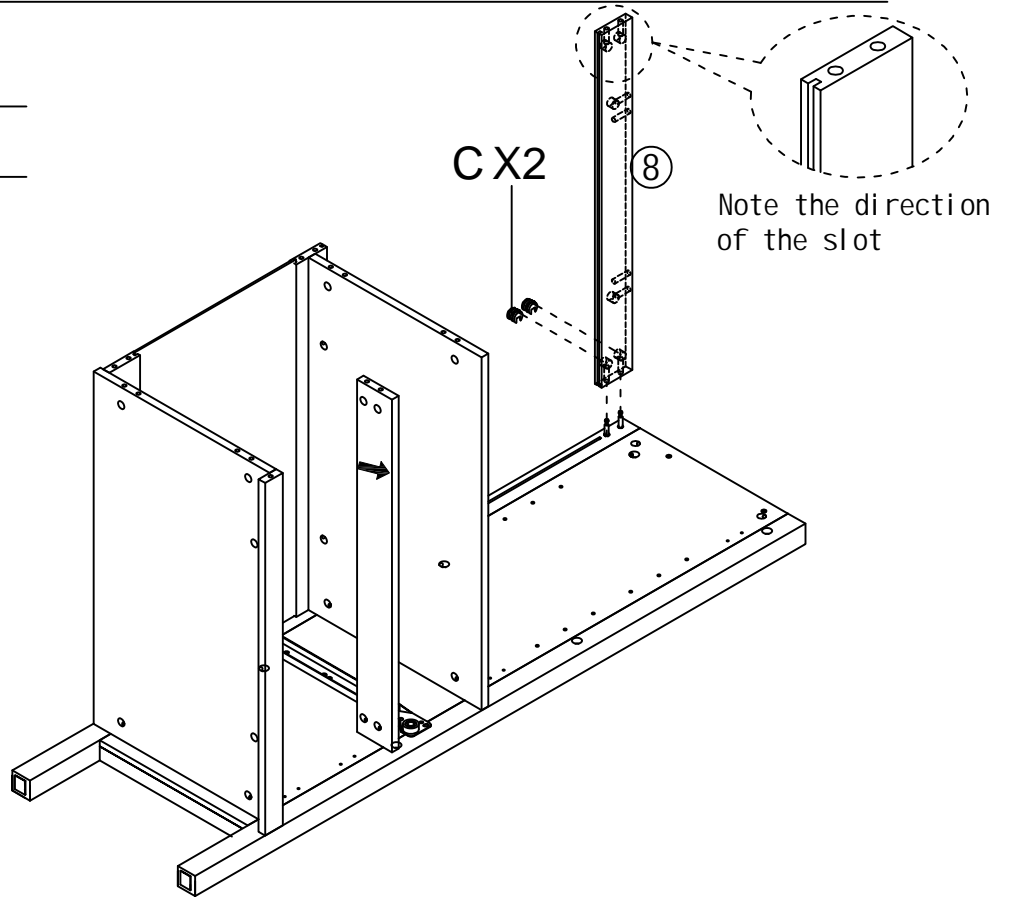
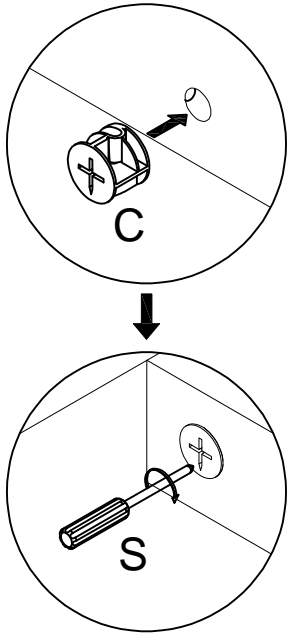
STEP38



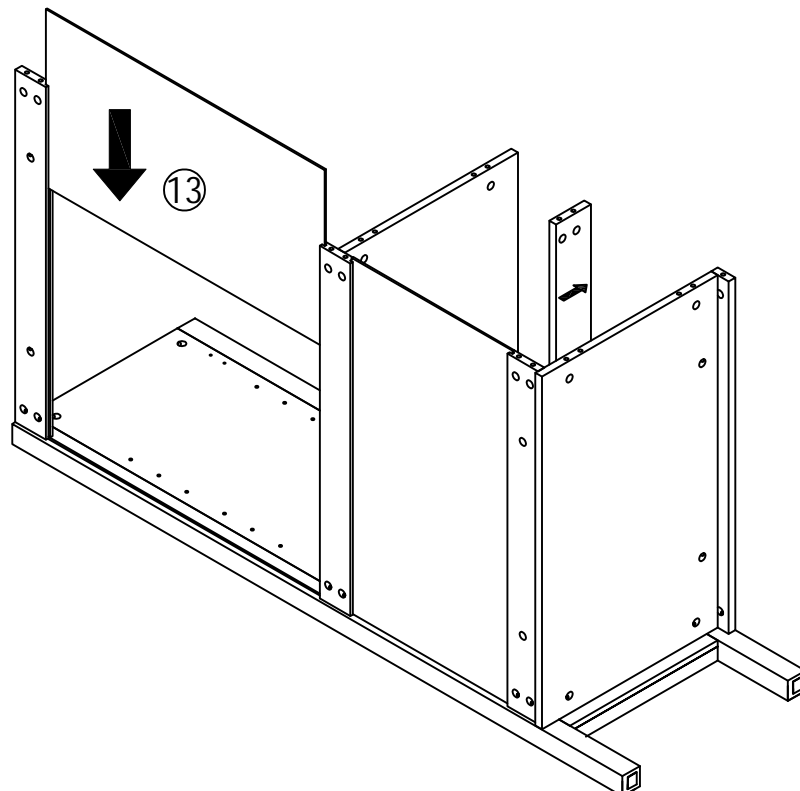
STEP39



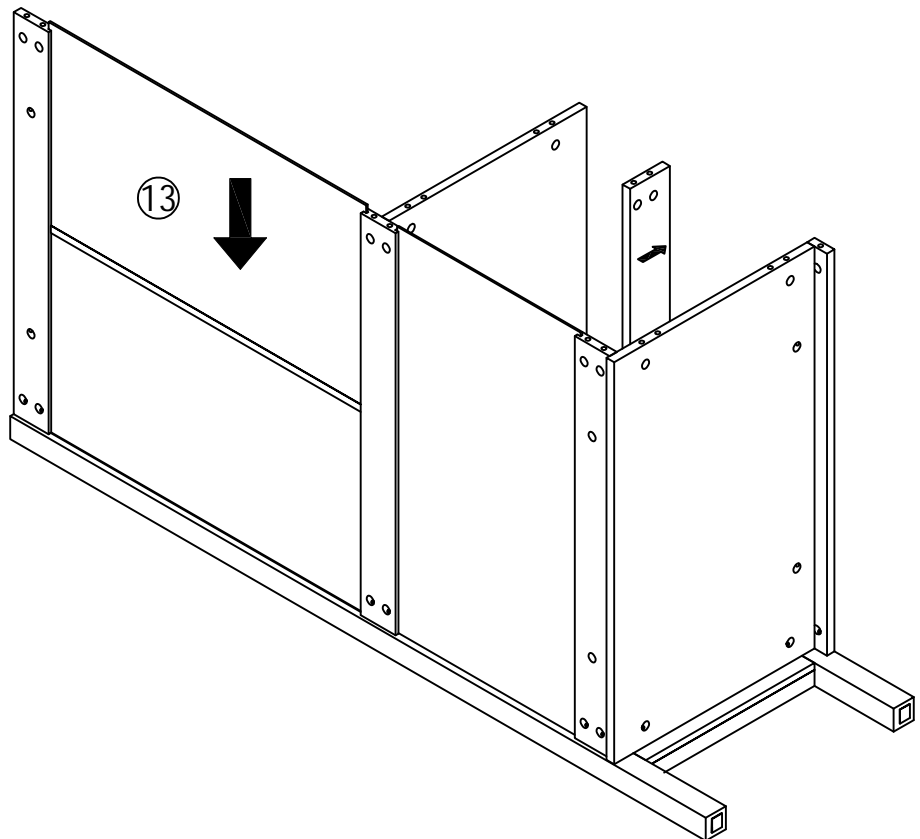
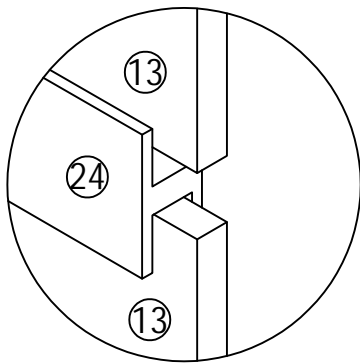
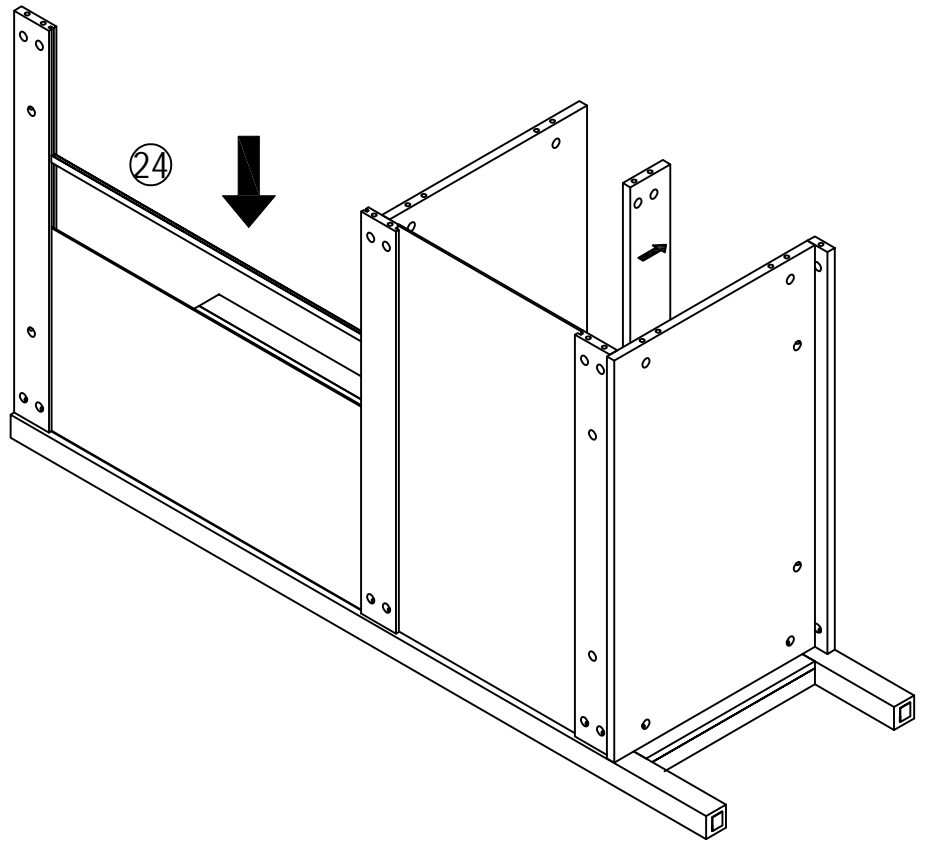
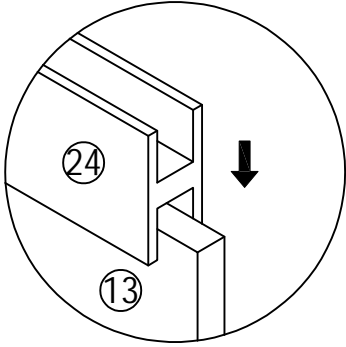
C X2




STEP40




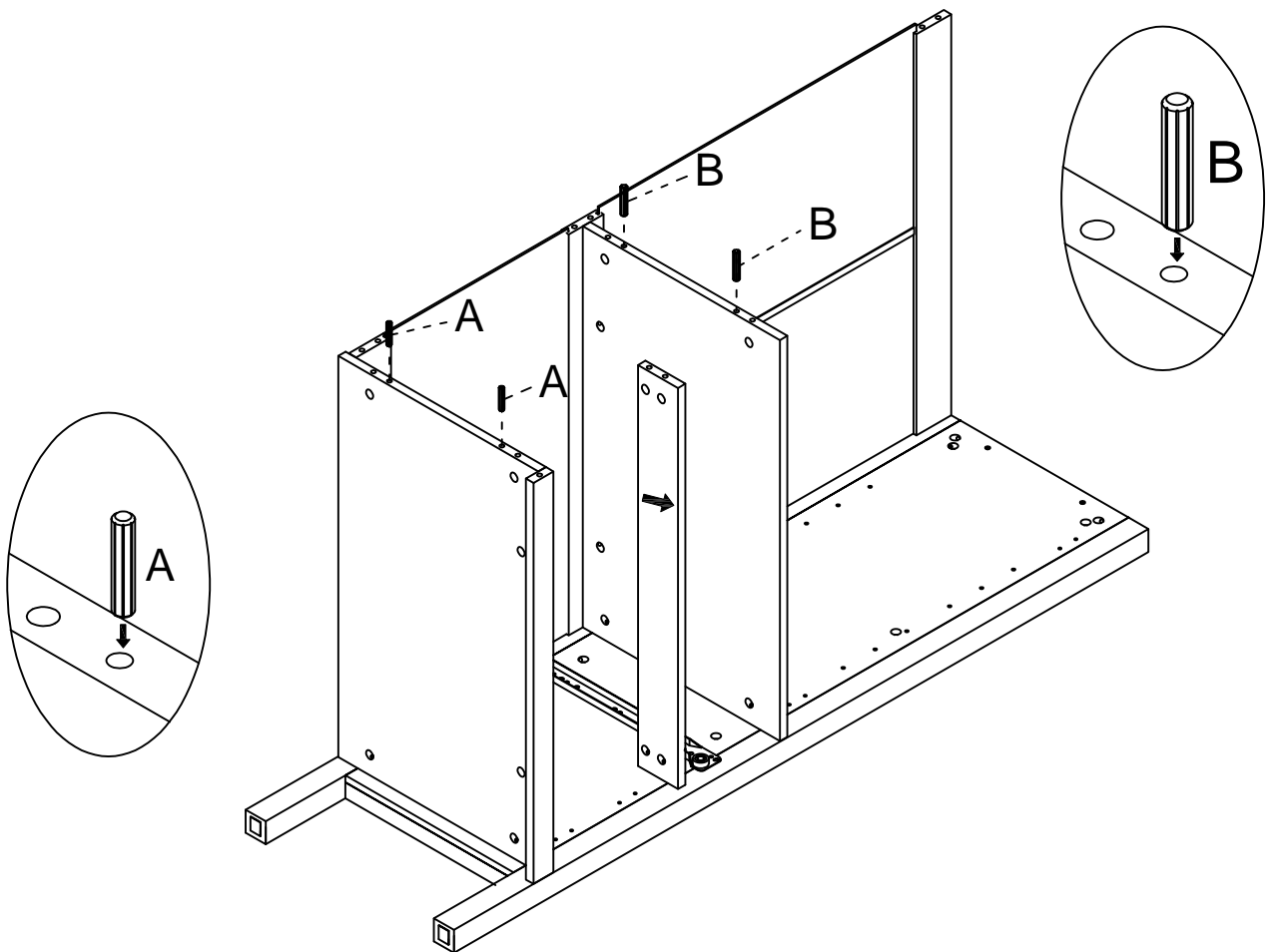
STEP41



STEP42

	A X2
---	------

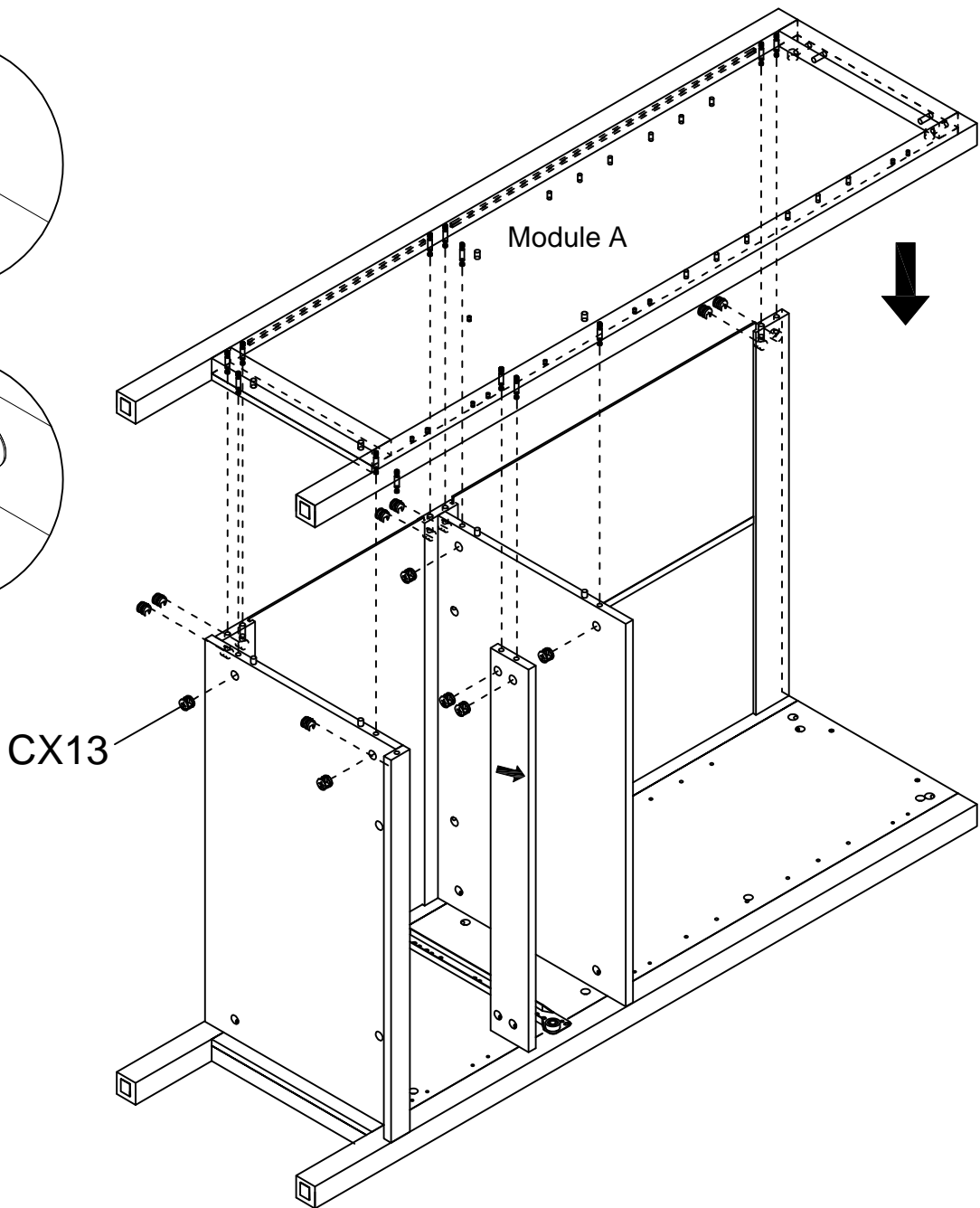
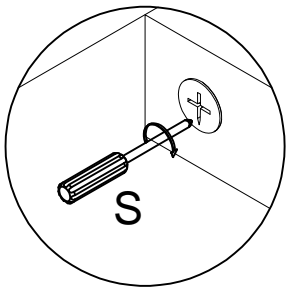
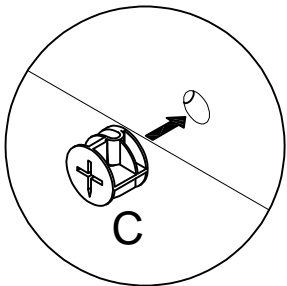
	B X2
---	------



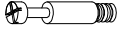


STEP43

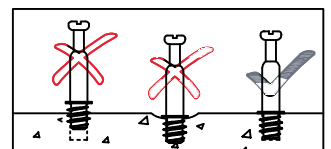
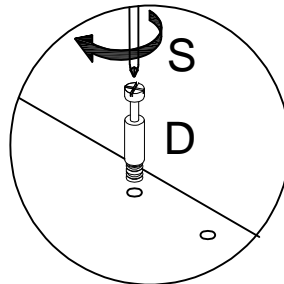
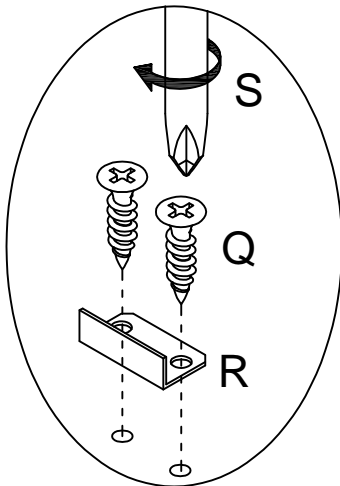
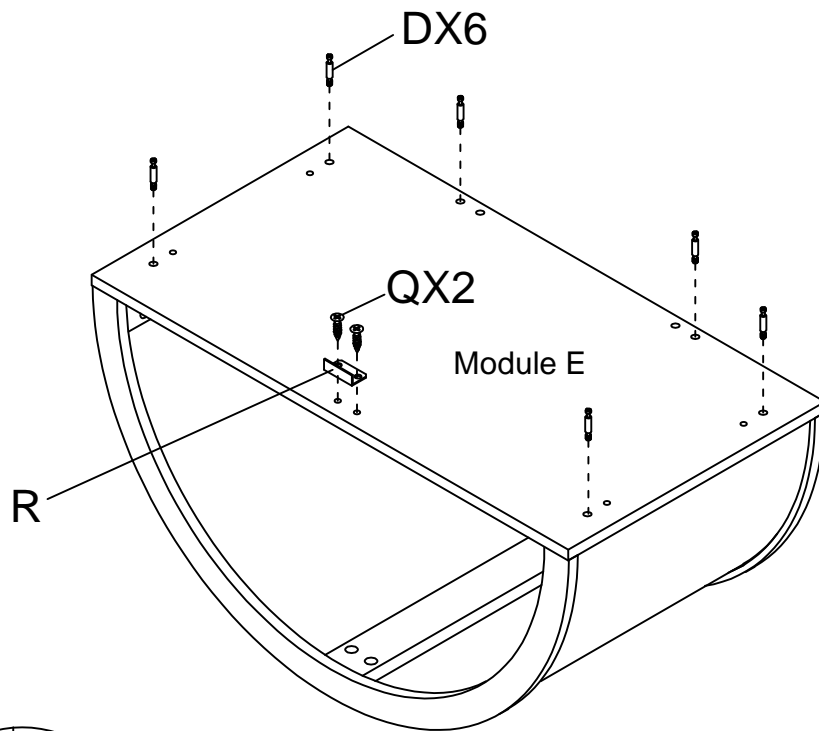


C X13





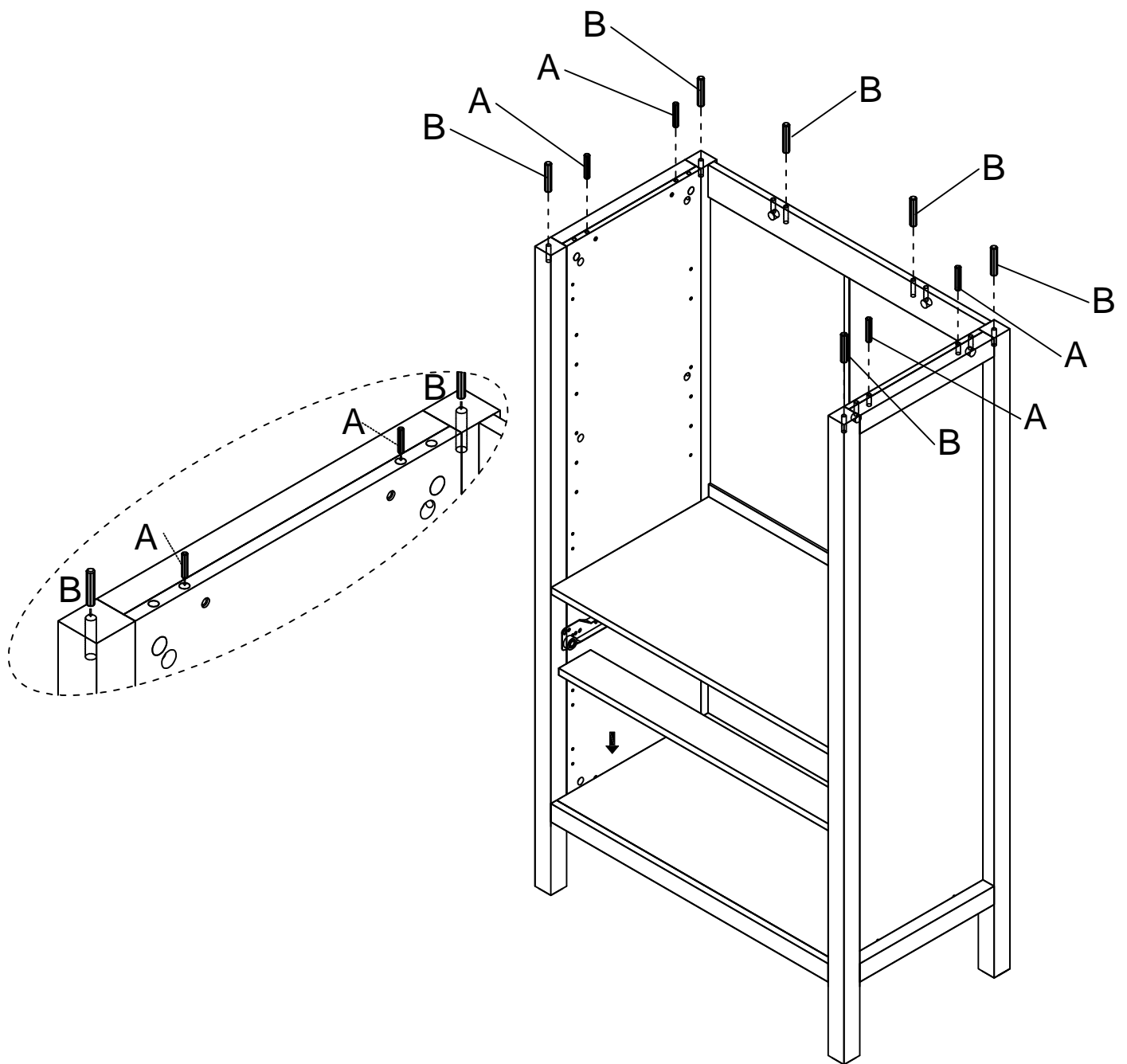
STEP44

	D X6
	R X1
	Q X2





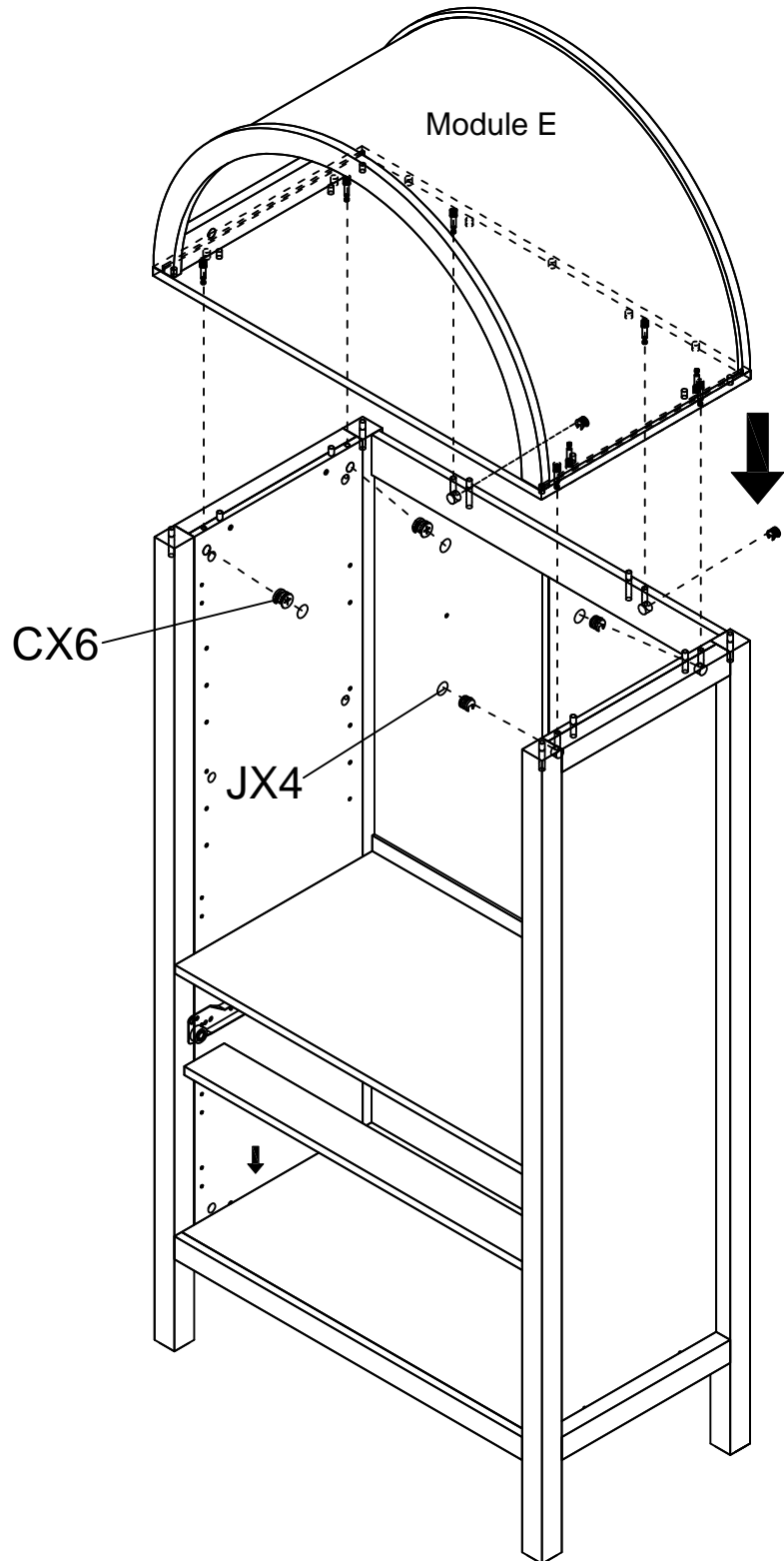
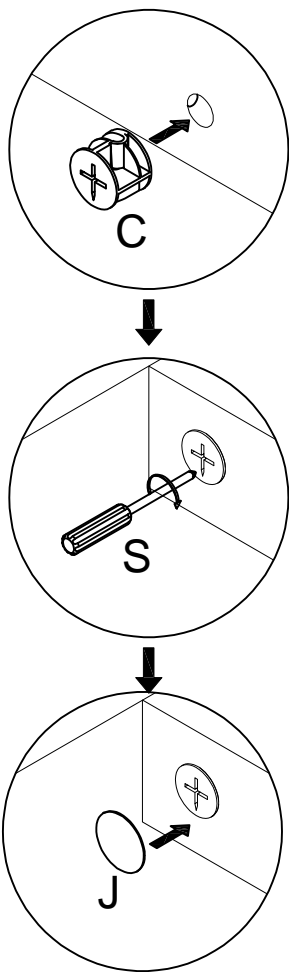
STEP45

	A X4
	B X6



STEP46

	C X6
	J X4



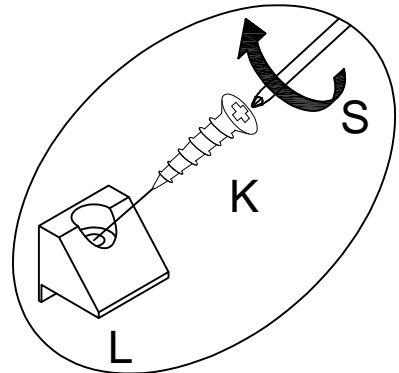
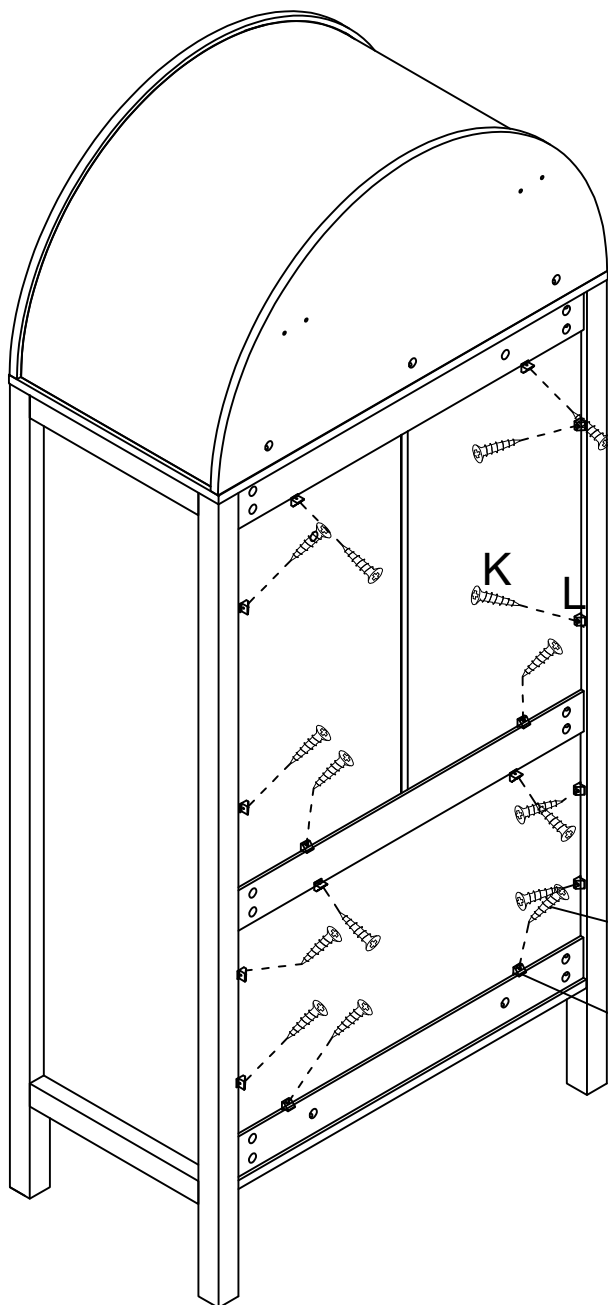
STEP47



K X16



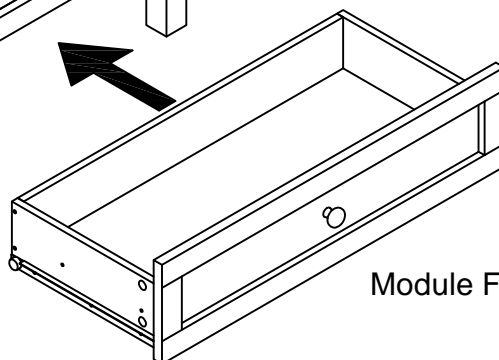
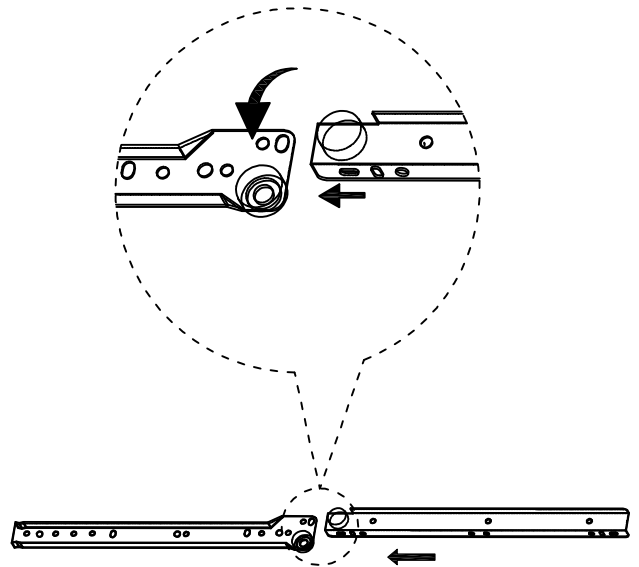
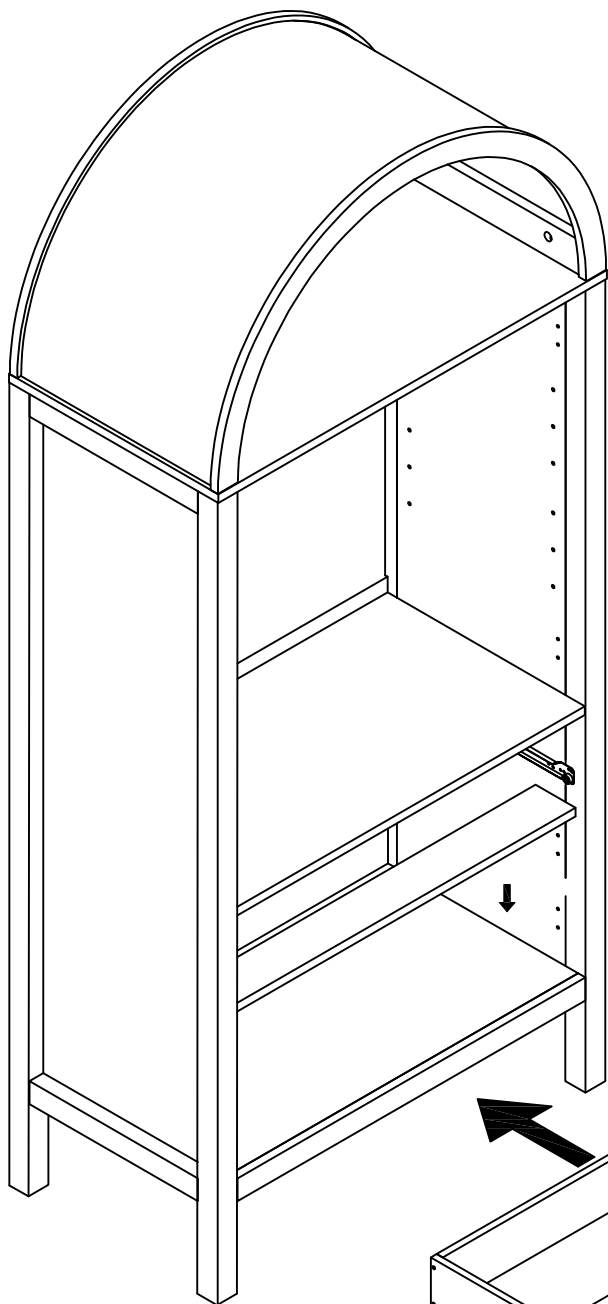
L X16



K X16

L X16

STEP48

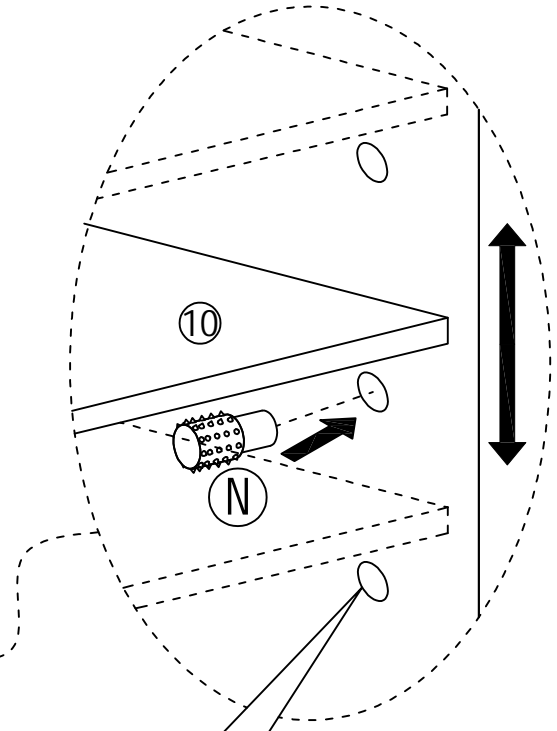
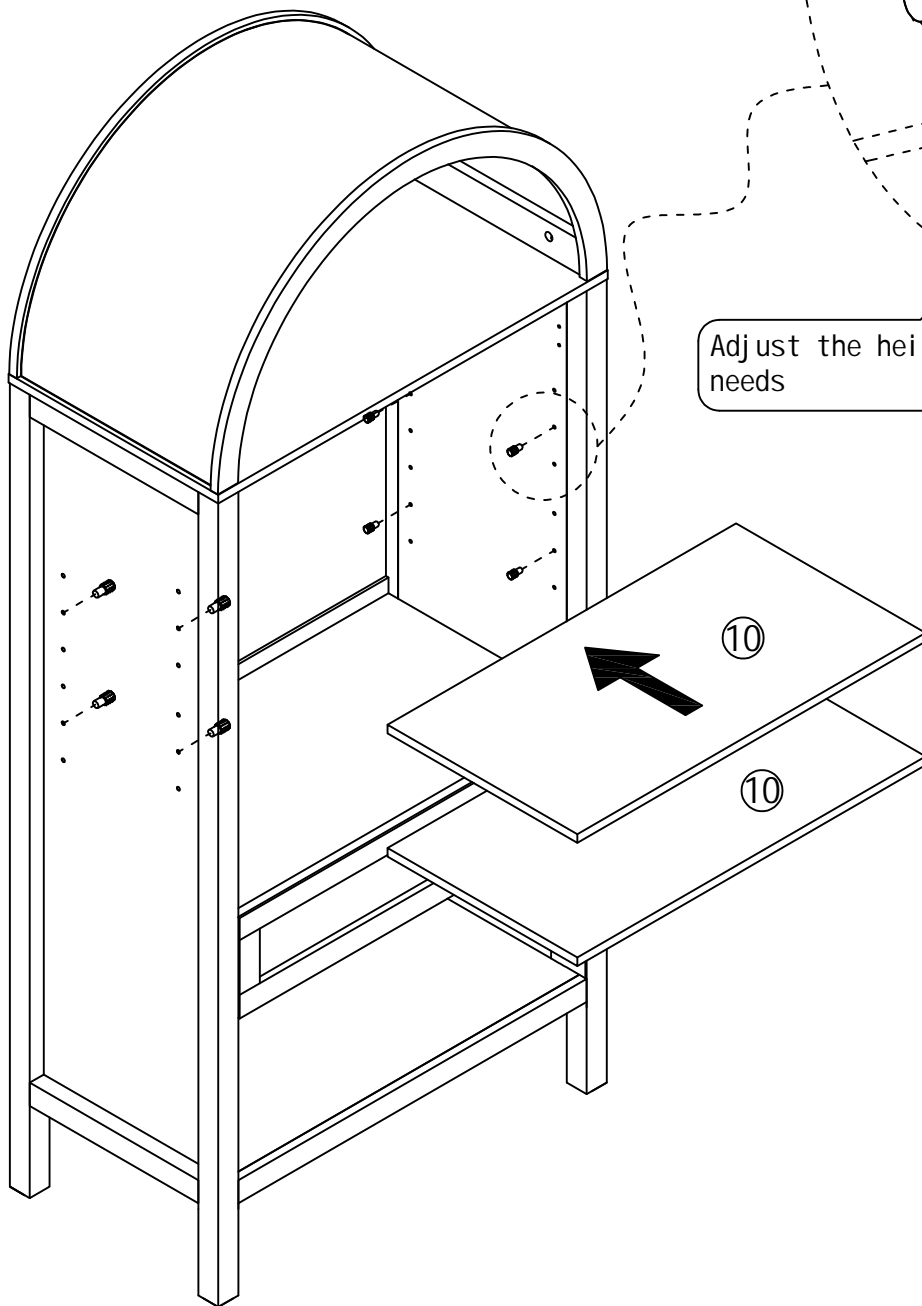


Module F

STEP49



N X8

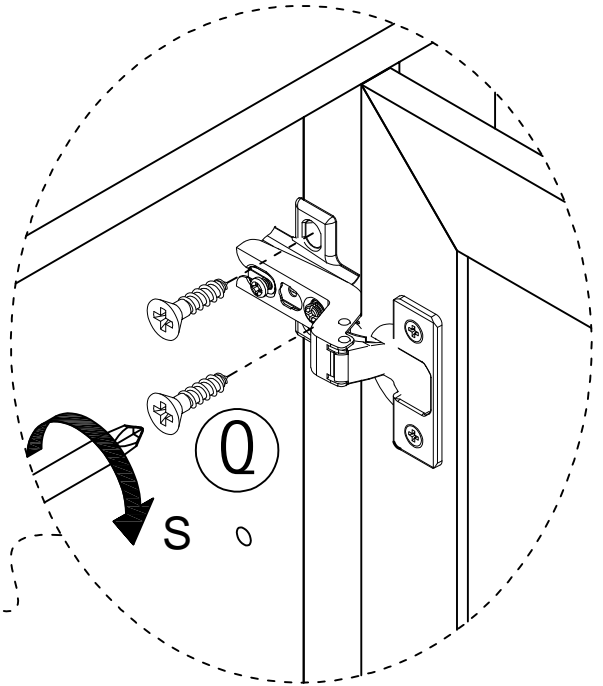
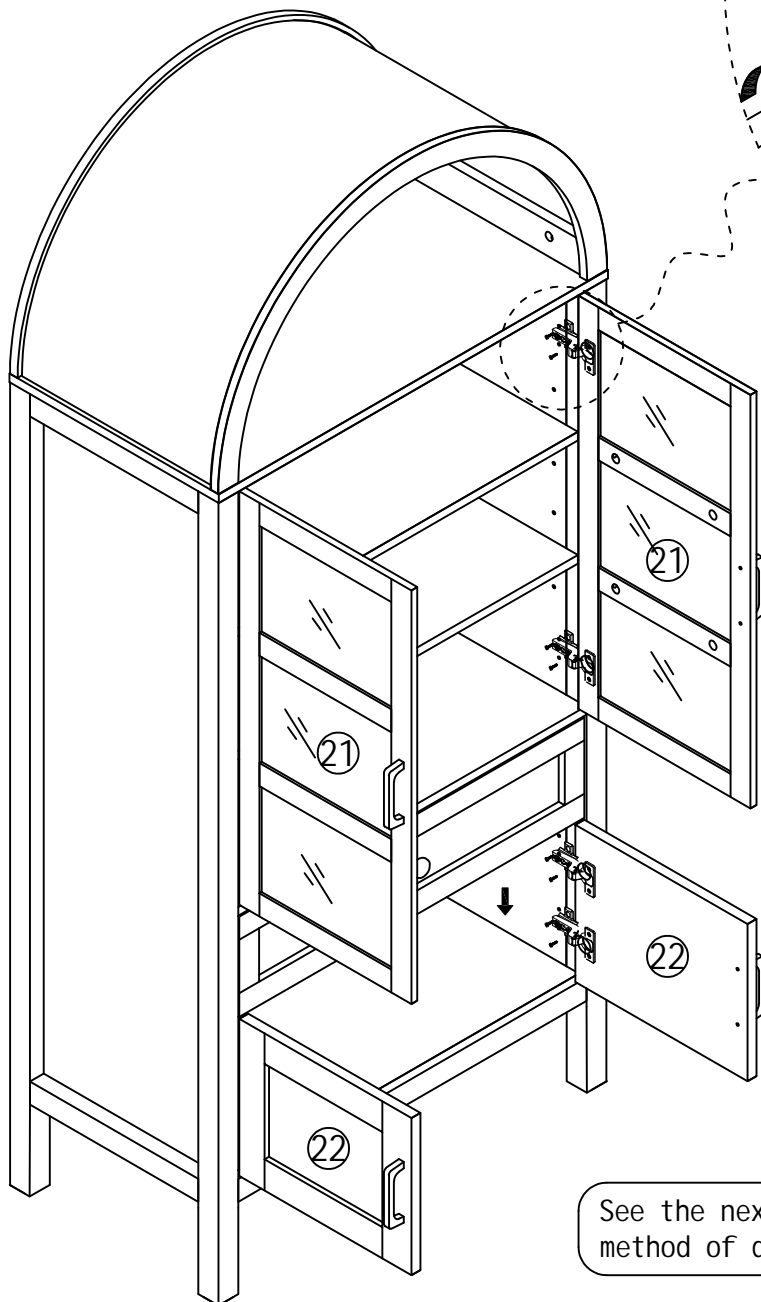


Adjust the height according to your needs

STEP50

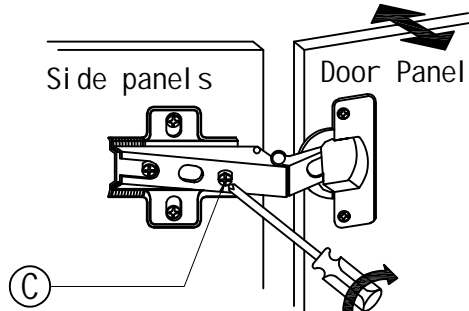
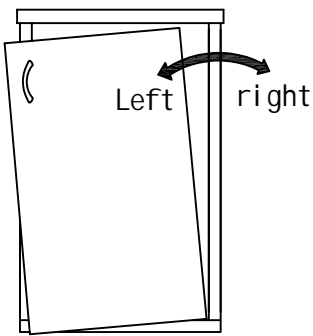


Q X16



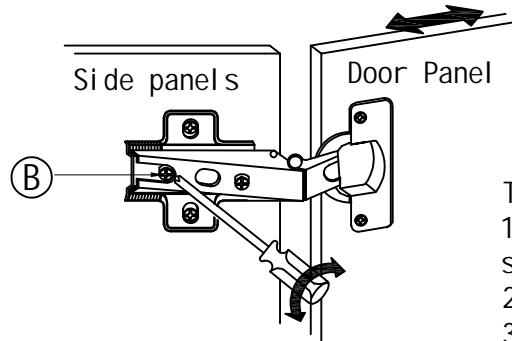
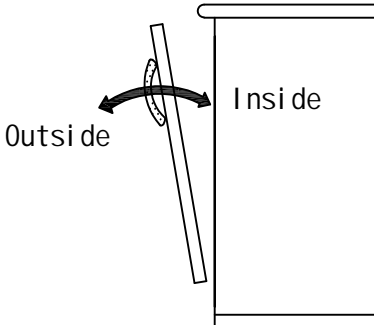
See the next page for the specific adjustment method of door hinge

Method 1:



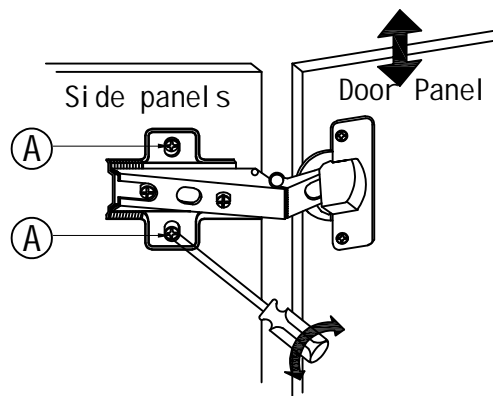
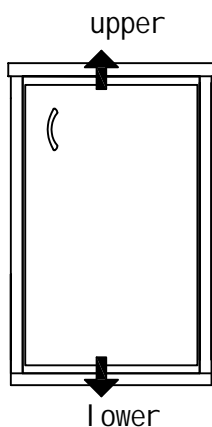
Move the door left or right:
 1. Rotate the C screw with a screwdriver clockwise to move the door panel to the left
 2. Rotate the C screw counterclockwise with a screwdriver to adjust the door panel to move to the right

Method 2:



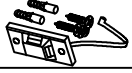
To move the door in or out:
 1. Loosen screw B using a screwdriver, as shown in Figure
 2. Move door to proper position
 3. Tighten the screws again

Method 3:

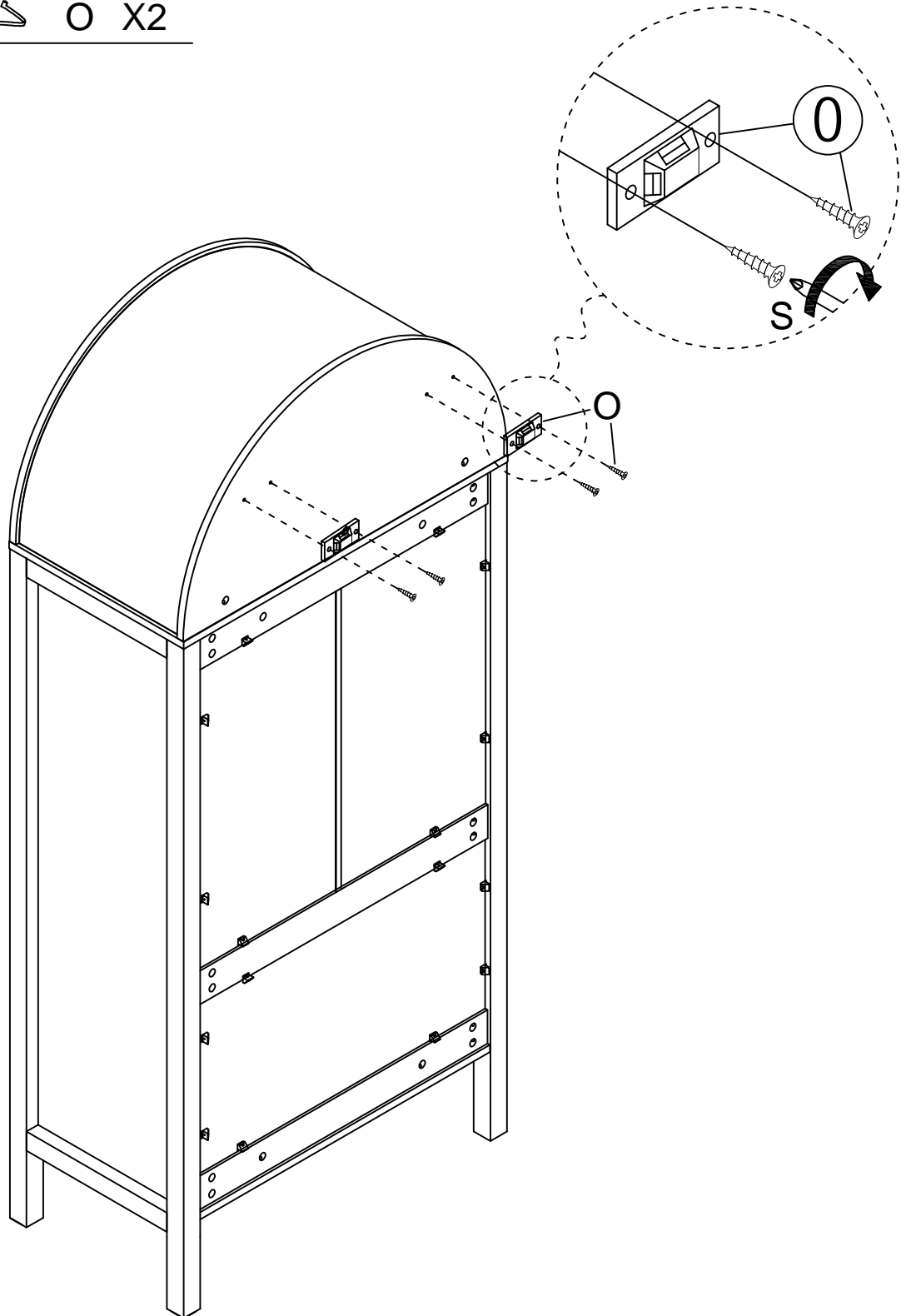


Move the door up and down:
 1. Loosen the top and bottom screws A using a screwdriver, as shown in Figure
 2. Move the door to the proper position and align the door
 3. Tighten the screws again

STEP51



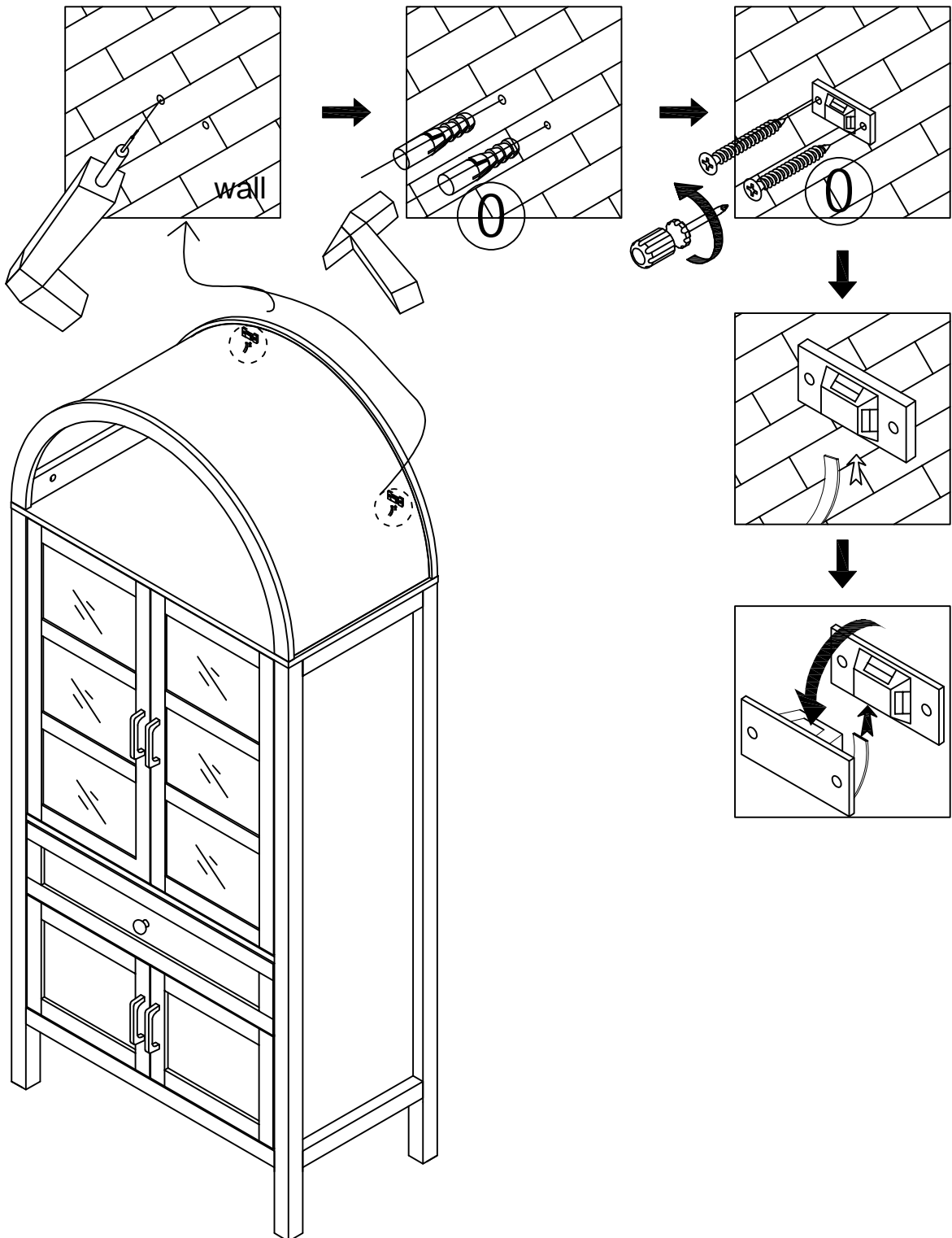
O X2



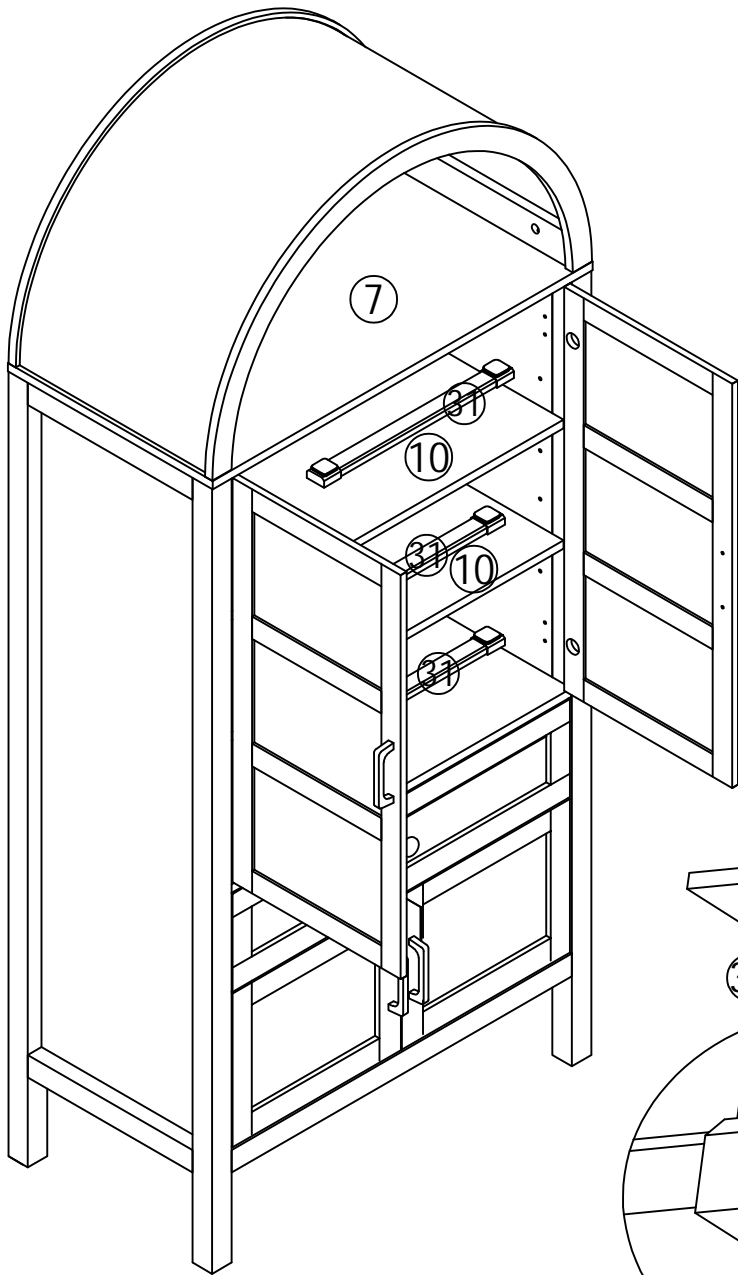
STEP 52



O X2



STEP53



①

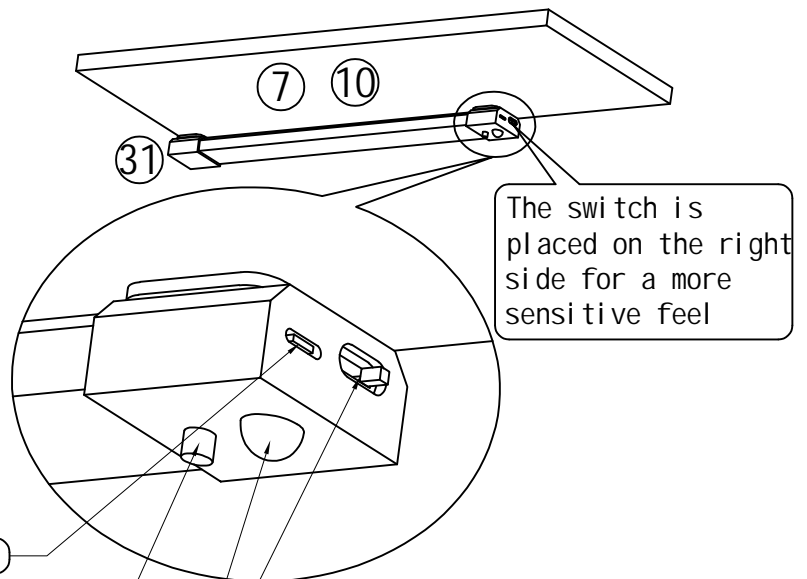
Align the metal sheet with 3M adhesive and place it on the strong magnetic adsorption position of the lamp base:

②

Tear off the 3M adhesive protective paper

③

Stick the product on the location where it needs to be installed and press it hard.

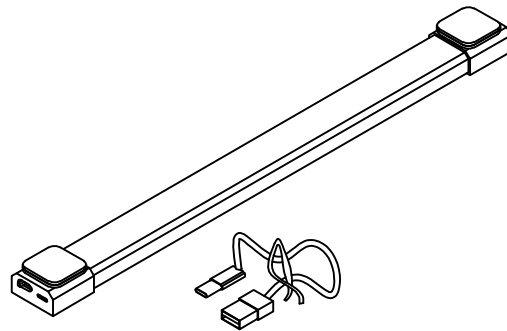


USB charging hole

Stepless Dimming

Human sensor head

Switch Adjustment
 1st gear: Off (default)
 2nd gear: Always on
 3rd gear: Night sensing mode
 4th gear: All-day sensing mode



Switch Definitions	Switch Description	Silicone keys	<p>Short press: cycle switch white light, warm light, neutral light</p> <p>Long press: when the light is on, press the button and don't release it to turn on the brightness adjustment, release the button to lock the brightness. (With brightness memory function)</p>
		Toggle key	<p>Switch Adjustment</p> <p>1st gear: Off (Initial state)</p> <p>2nd gear: Always on</p> <p>3rd gear: Night sensing mode</p> <p>4th gear: All-day sensing mode</p>
Range & Charging	Induction mode (Full power state, calculated by sensing the light 5-8 times per day)	$\geq 30d$	
	Normal light mode (full power state)	$\geq 3h$	
	Charging time	$\leq 4h$	