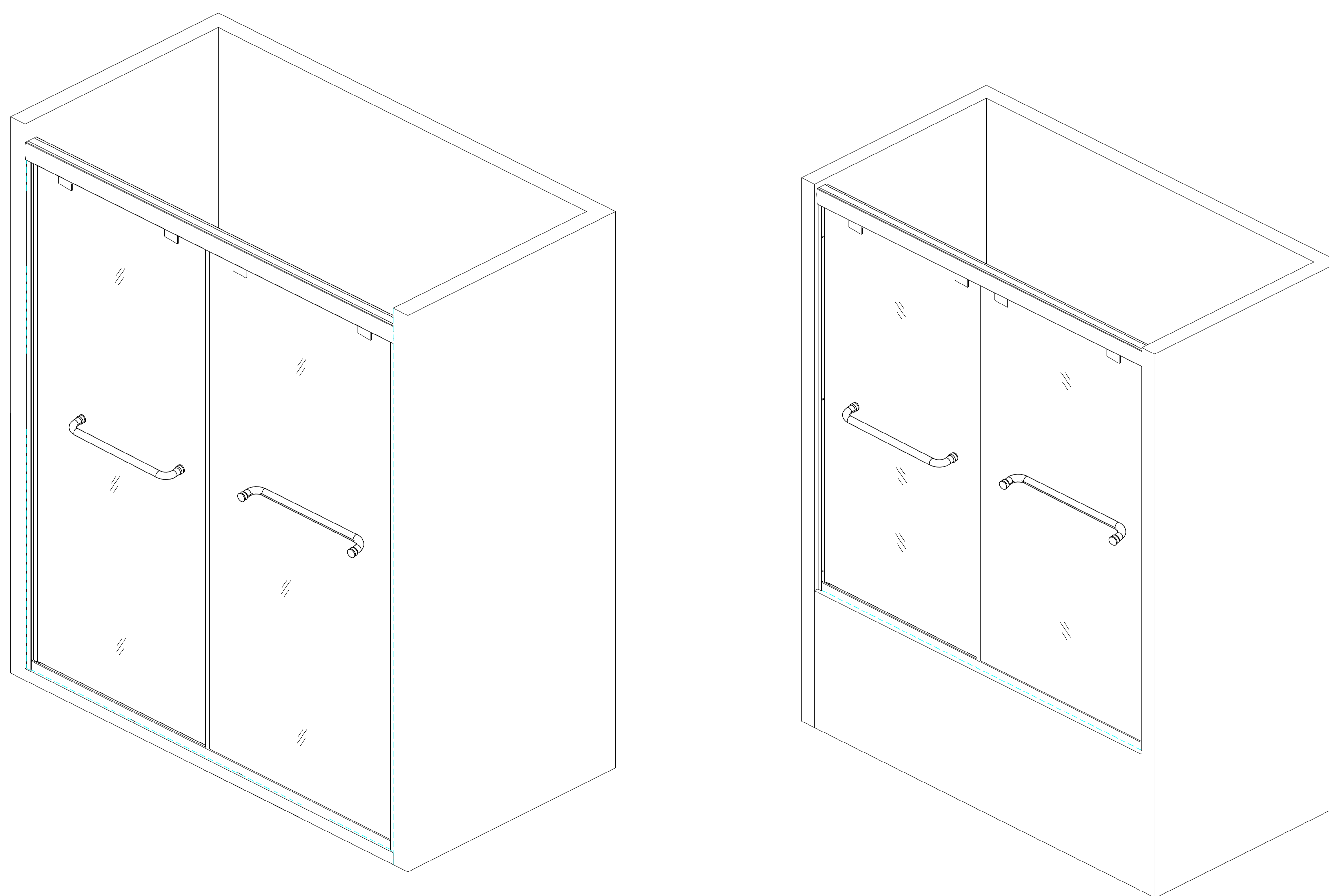


Shower Door
5/16" glass (8mm)
1/4" glass(6mm)

S0102B566072/S0102N566072 INSTALLATION GUIDE

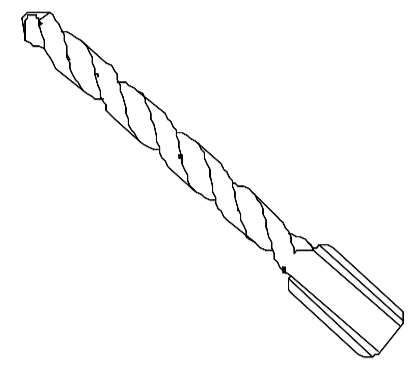
CAUTION: To reduce the risk of breakage, keep corner protectors on glass while installing. Keep corner protectors for use in case future adjustments are needed. Consult your local plumbing codes prior to installation



CAUTION:
Report glass breakage upon deliver!
Free replacement guaranteed.

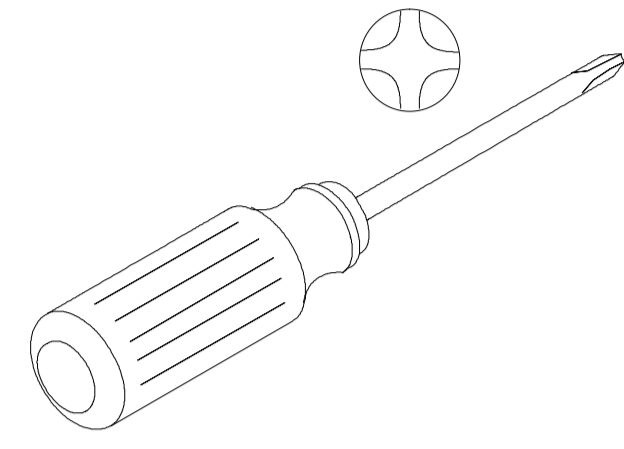
TOOLS REQUIRED

Drill Bits

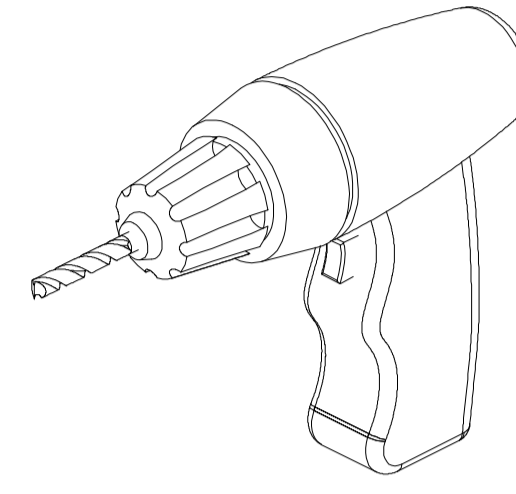


Ø1/4" (6mm) & Ø1/8" (3mm) dia.
HSS

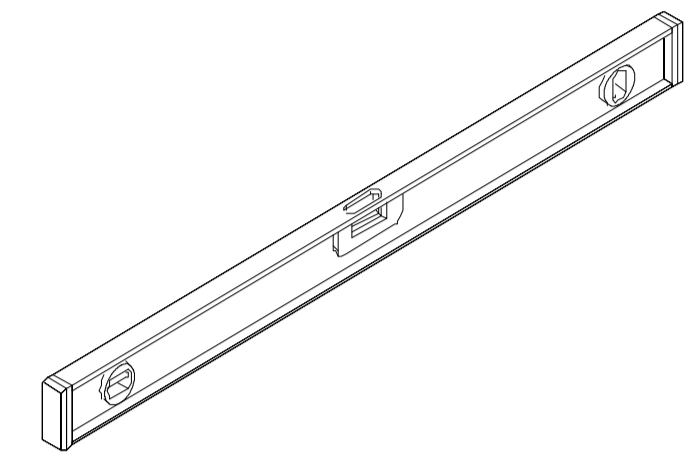
Screw Driver



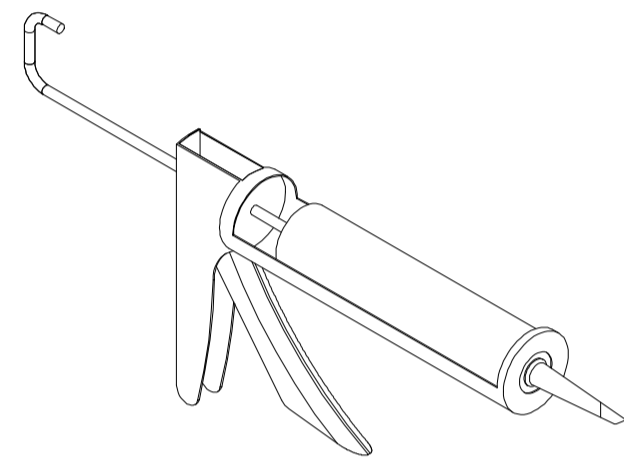
Drill



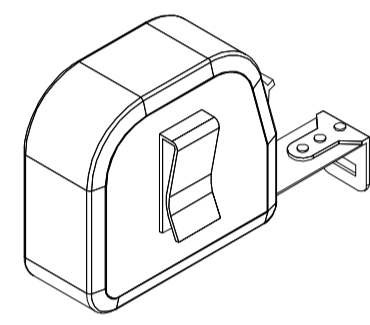
Level



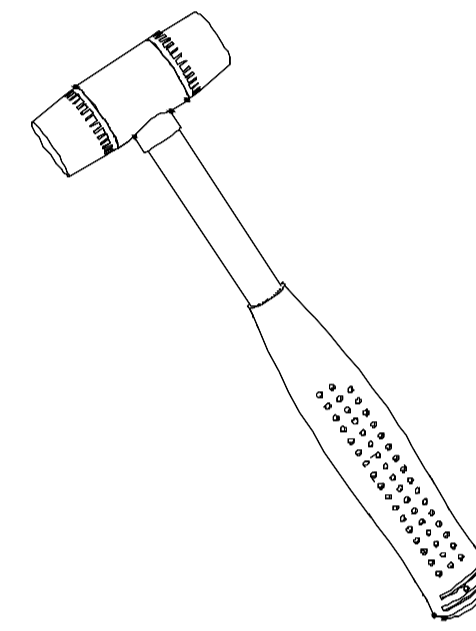
Silicone



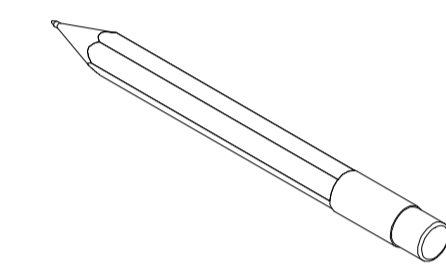
Measuring Tape



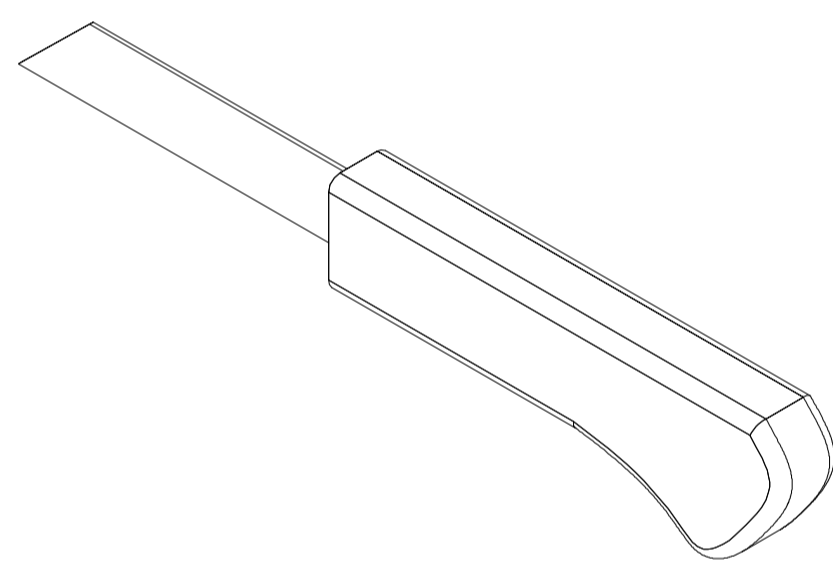
Soft Head Hammer



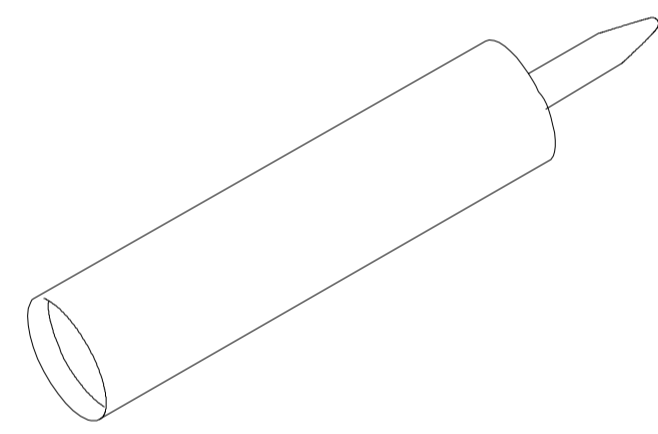
Pencil



Knife



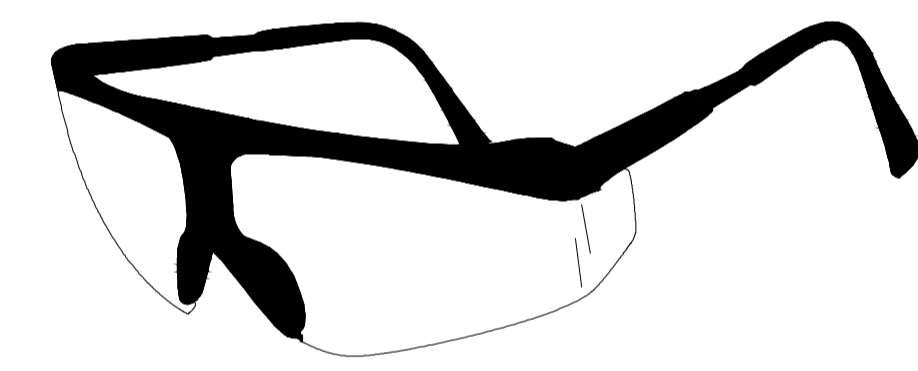
Sealant



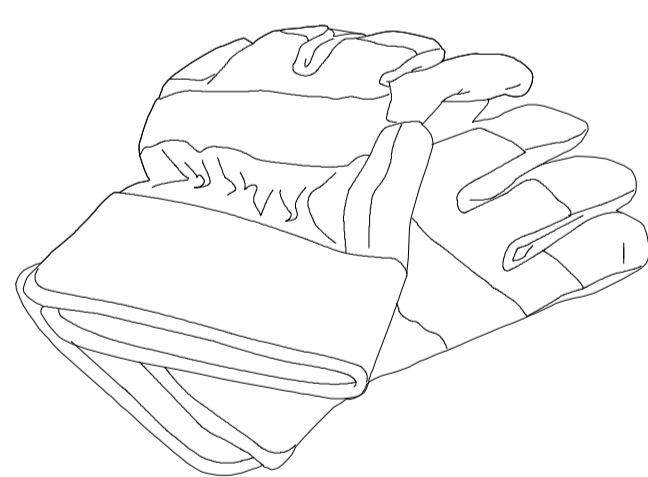
MASONRY DRILL BIT FOR TILE Ø6mm



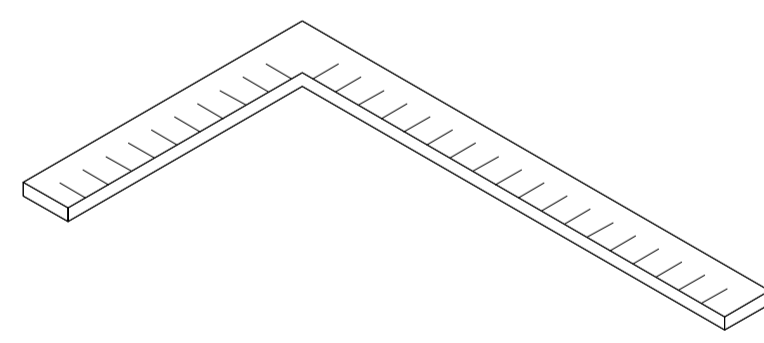
Safety Glasses



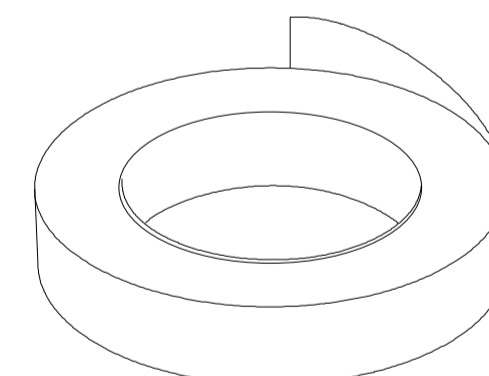
Glove



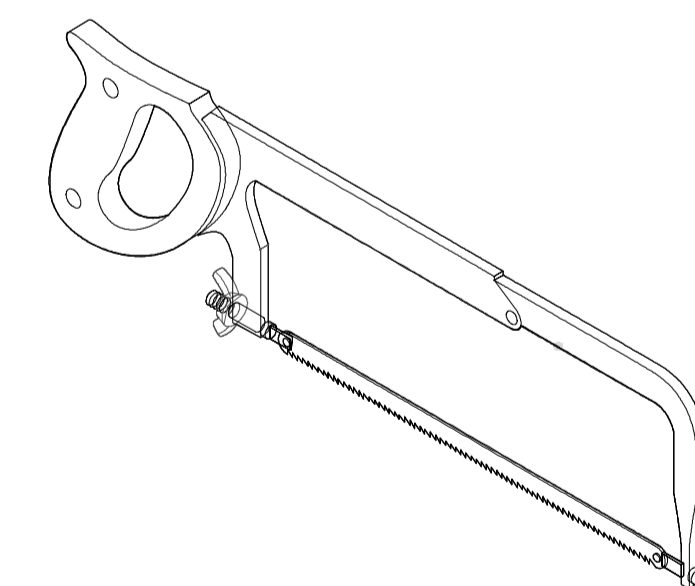
Carpenter's Squarer



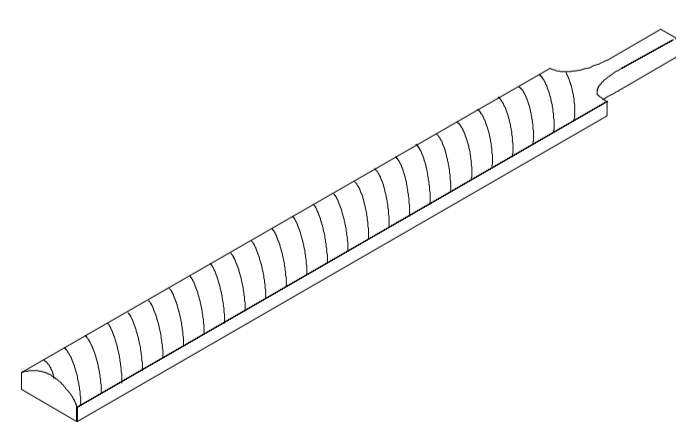
Masking or painter's tape



Hack Saw



Metal File



CAUTION: When cutting or drilling metal components or when handling glass, to reduce the risk of personal injury, protective eye wear, gloves, and closed-toe shoes are required.

SAFETY INFORMATION

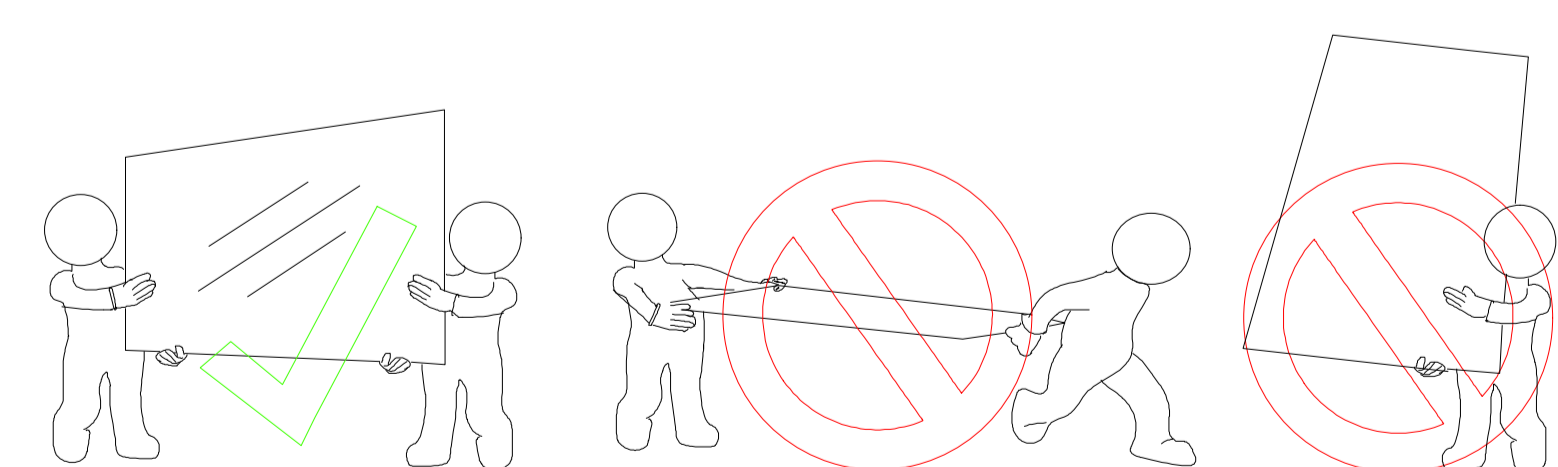
CAUTION

Please carefully read the following important safety information before handling or installing this shower door . There is a risk of serious injury while handling this product.

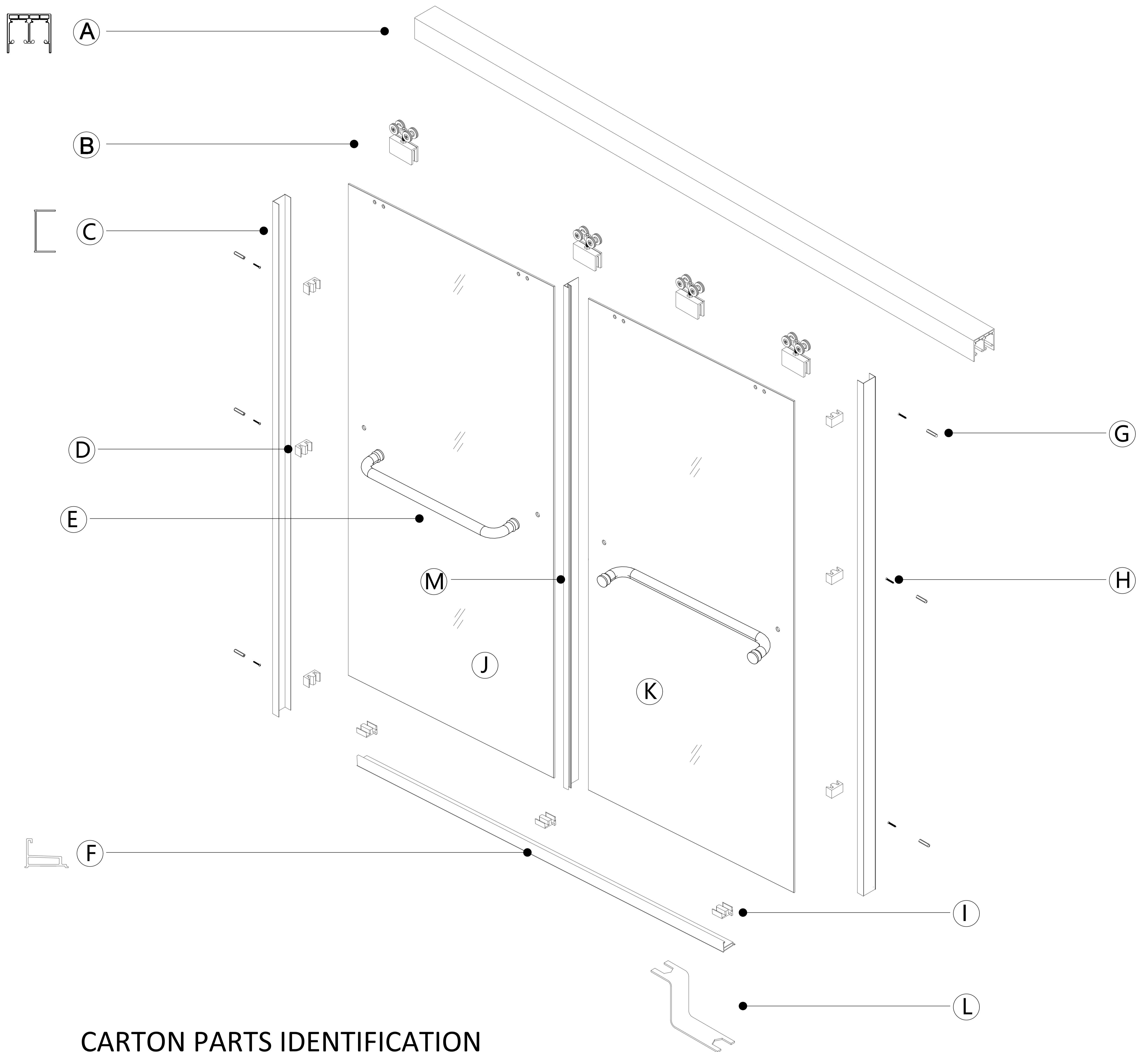
To minimize these risks, please note:

- Always wear safety glasses and gloves while handling.
- Always follow the installation instructions.
- Inspect glass for damage before installation.
- Extreme caution should be taken while handling the glass during installation as the tempered glass may shatter if in contact with a hard surface.
- Do not cut or modify the tempered glass as it will shatter if cut.
- Carefully remove product from packaging and keep packaging until installation is complete.
- Inspect all parts for damage or missing; if there is damage or part missing to the unit prior to installation, please contact customer service at the number provided in this guide.
- Cover the drain with tape to prevent the loss of small parts.
- The shower base and finished walls should be installed before beginning the shower door installation.
- During the installation,protect the shower floor with a drop cloth to avoid damage.
- This product should be installed by two people who are familiar with construction requirements.Professional installation is recommended!
- Keep this installation manual for future reference.

NOTE: Two people should perform this installation.



DOOR ASSEMBLY



CARTON PARTS IDENTIFICATION

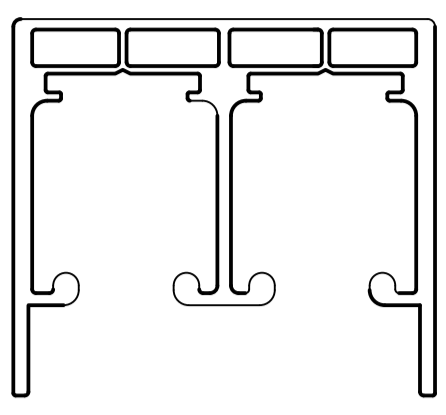
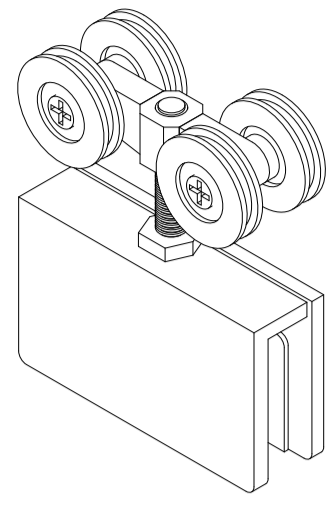
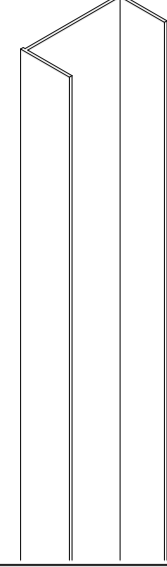
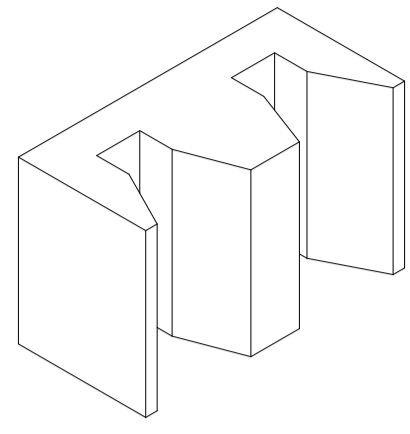
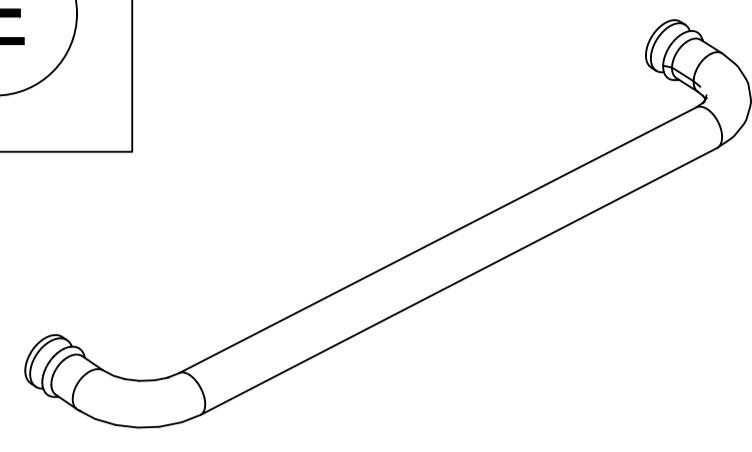
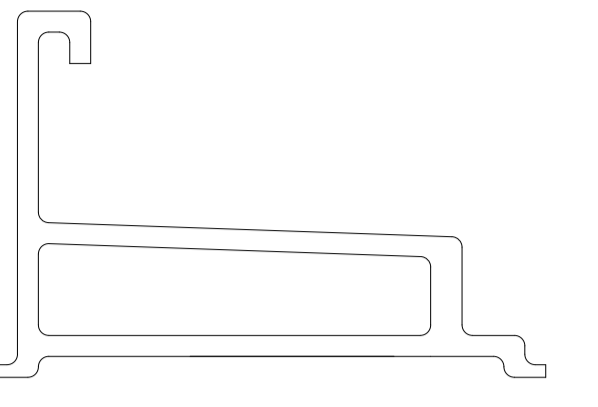
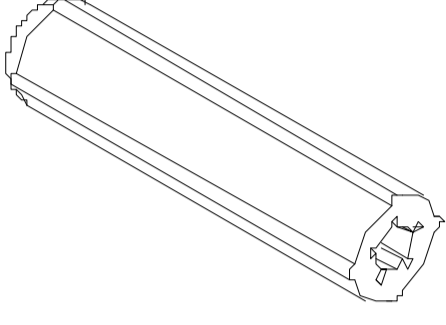
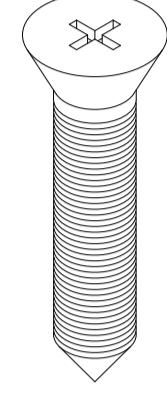
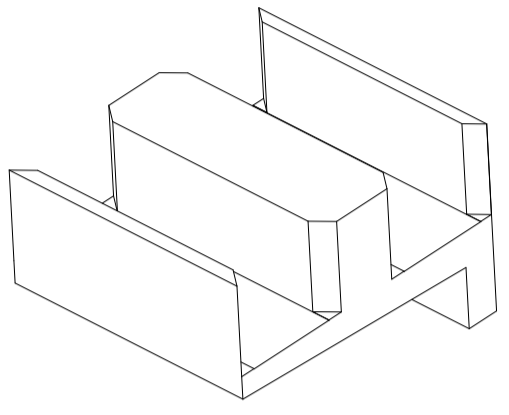
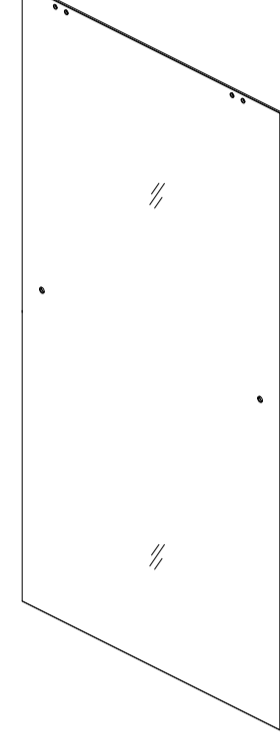

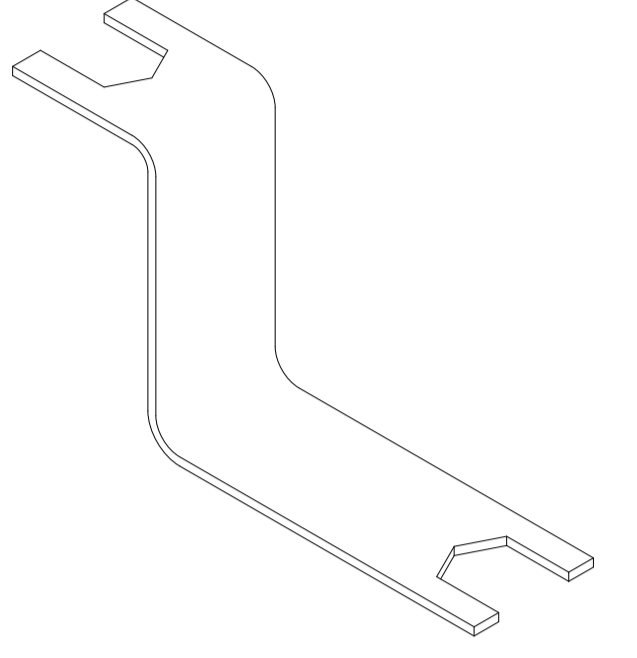
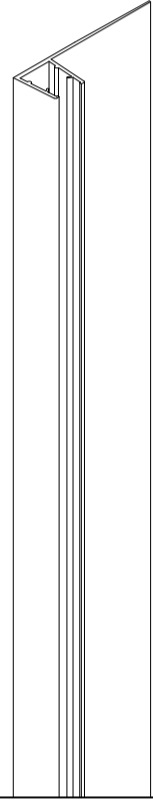
See following pages for detailed component diagrams

PART#	DESCRIPTION	QTY
A	Top Rail	1
B	Roller set	4
C	Wall Jamb	2
D	Bumper	6
E	Handle	2
F	Bottom Rail	1

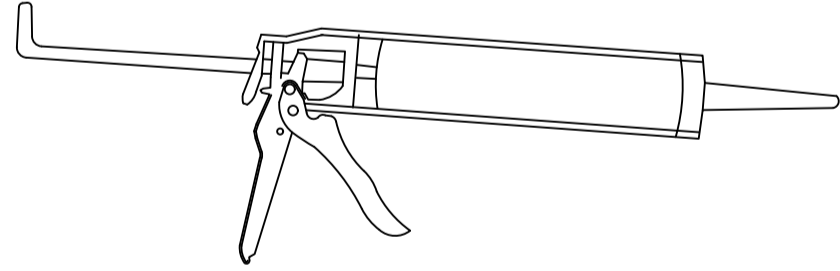
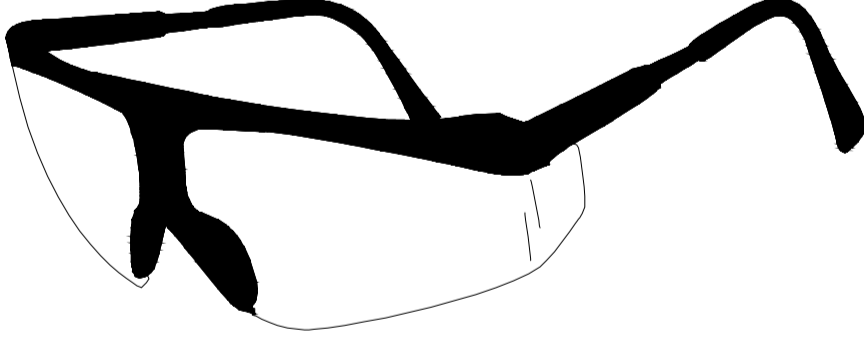
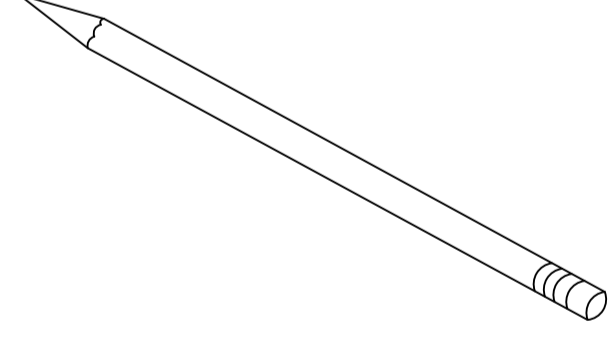
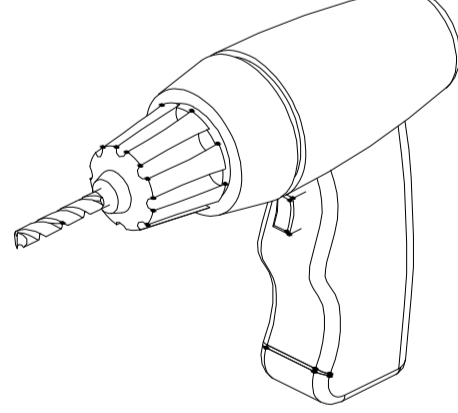
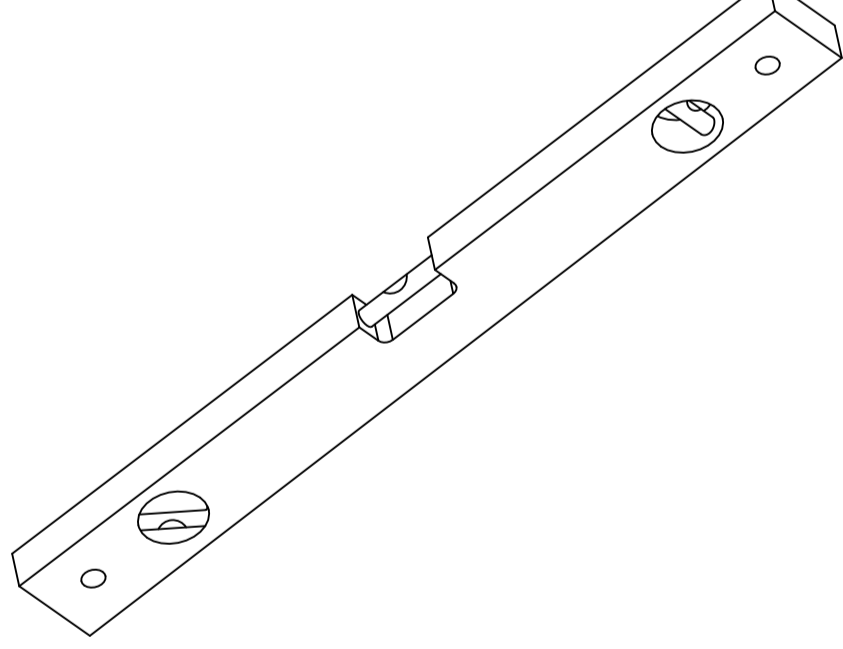
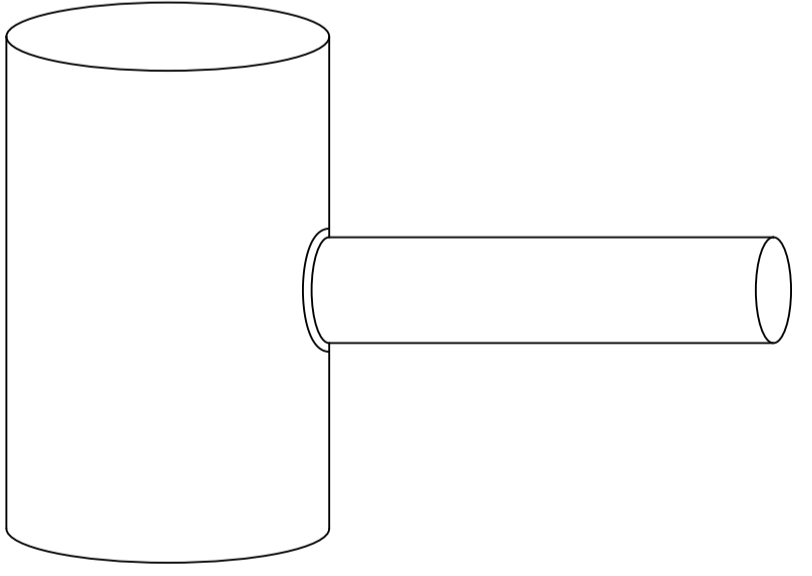
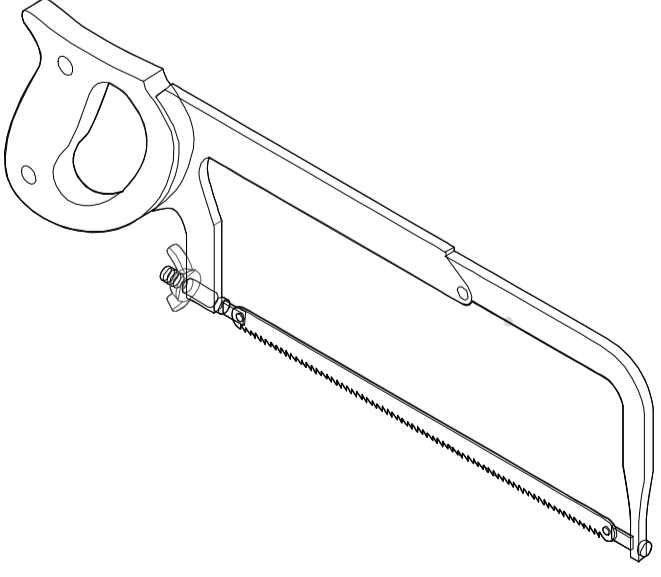
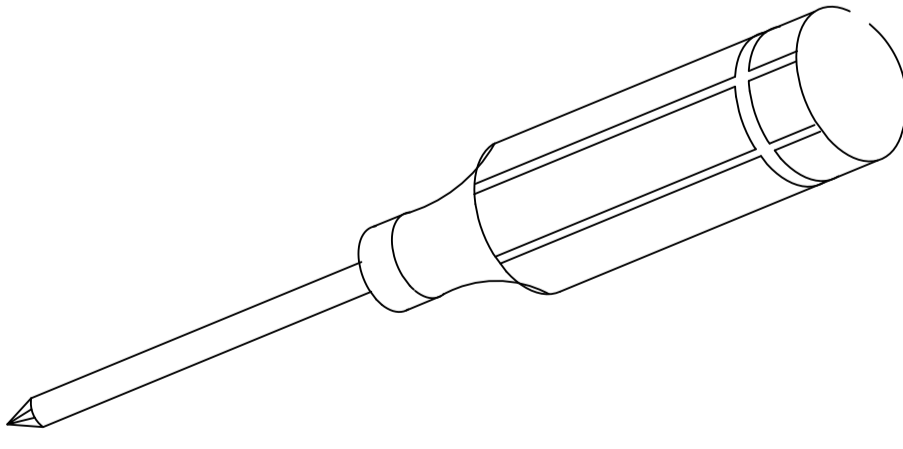

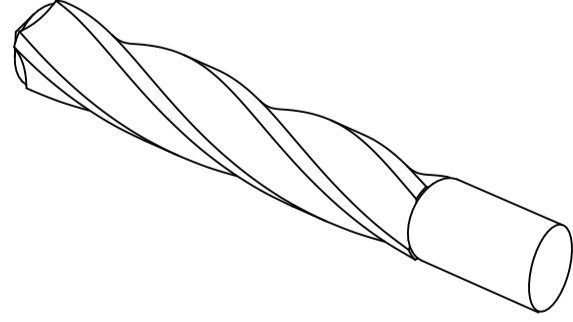
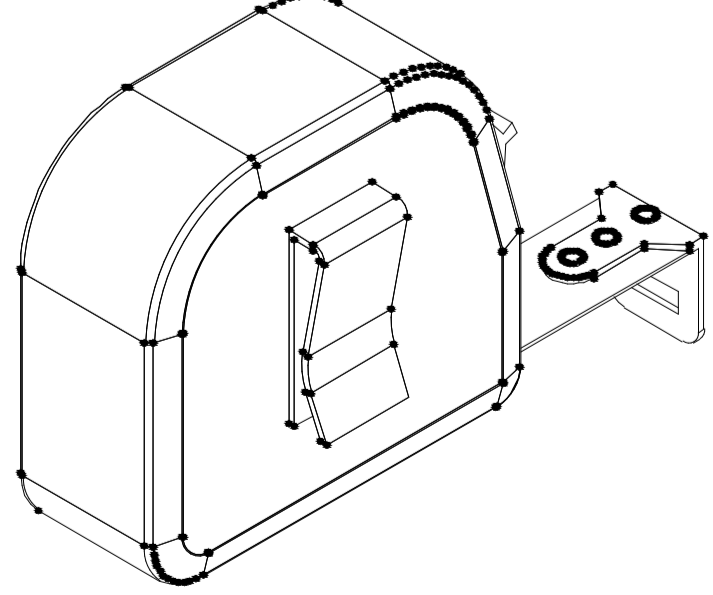
PART#	DESCRIPTION	QTY
G	Wall anchor Ø6	7
H	Metric Screw ST4.0X35	7
I	Bottom guide	3
J	DOOR PANEL	1
K	DOOR PANEL	1
L	Wrench	1
M	Water-Retaining Gasket	1

PARTLIST

Check all parts according to the list before assembly

					
Top Rail(1pc)	Roller set(4pcs)	Wall Jamb(2pcs)	Bumper (6pcs)	Handle(2pcs)	Bottom Rail(1pc)
					
Wall anchor Ø6(7pcs)	Metric Screw ST4.0X35(7pcs)	Bottom guide(3pcs)	DOOR PANEL(1pc)	DOOR PANEL(1pc)	Wrench(1pc)
					
Water-Retaining Gasket (1pc)					

Recommended Tools

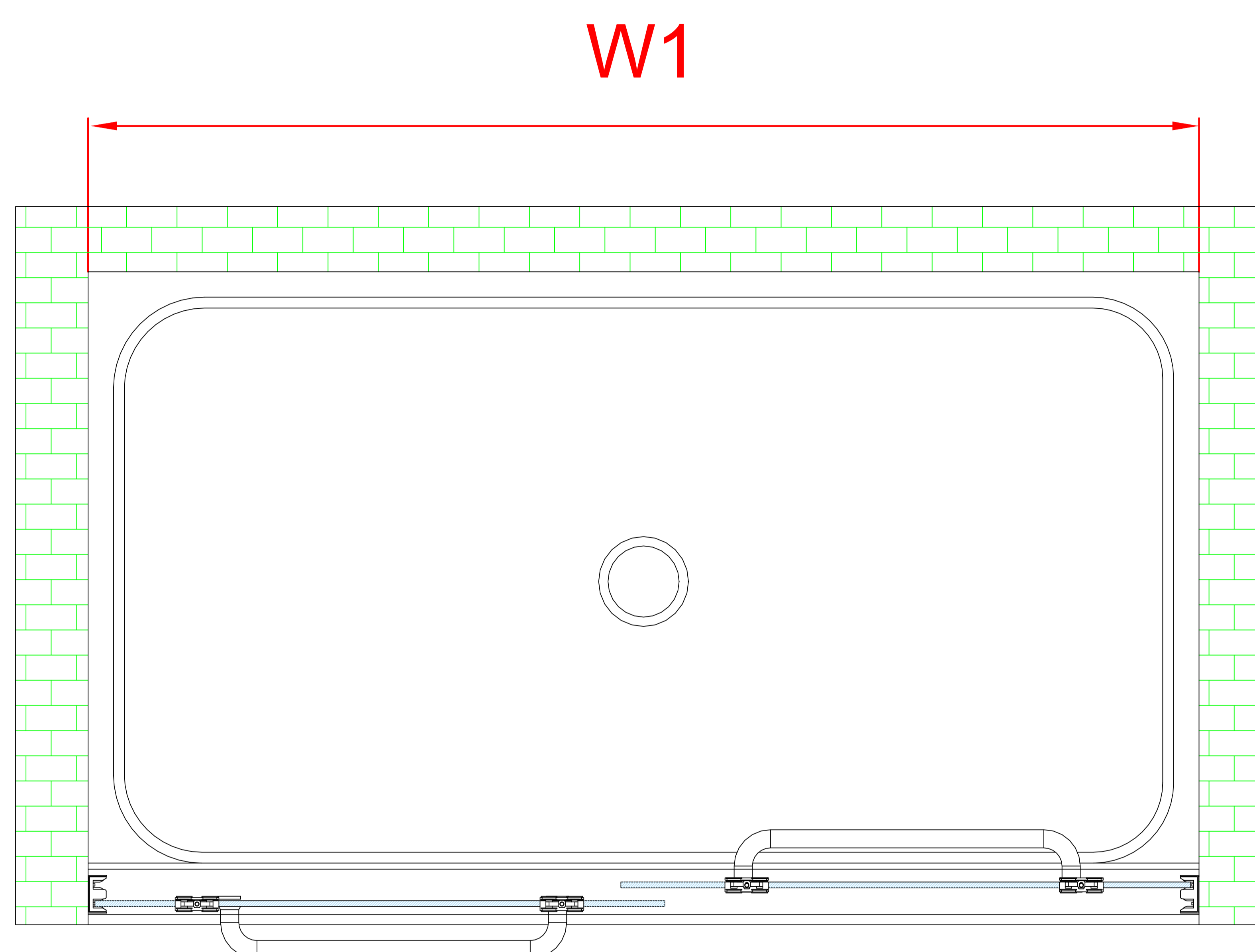
					
Silicone	Safety Glass	Pencil	Drill	Level	Rubber Hammer
					
Hacksaw	Screw Driver	Safety Gloves	1/4" Drill Bit	Tape Measure	

Model Specific Preparation

Left Hand Assembly

STEP 1

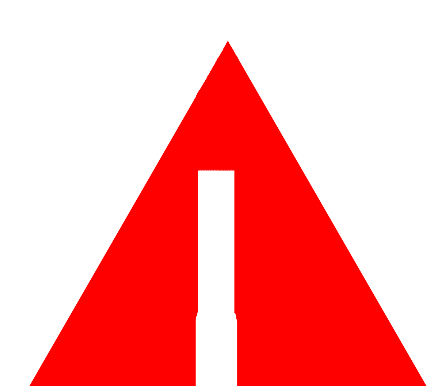
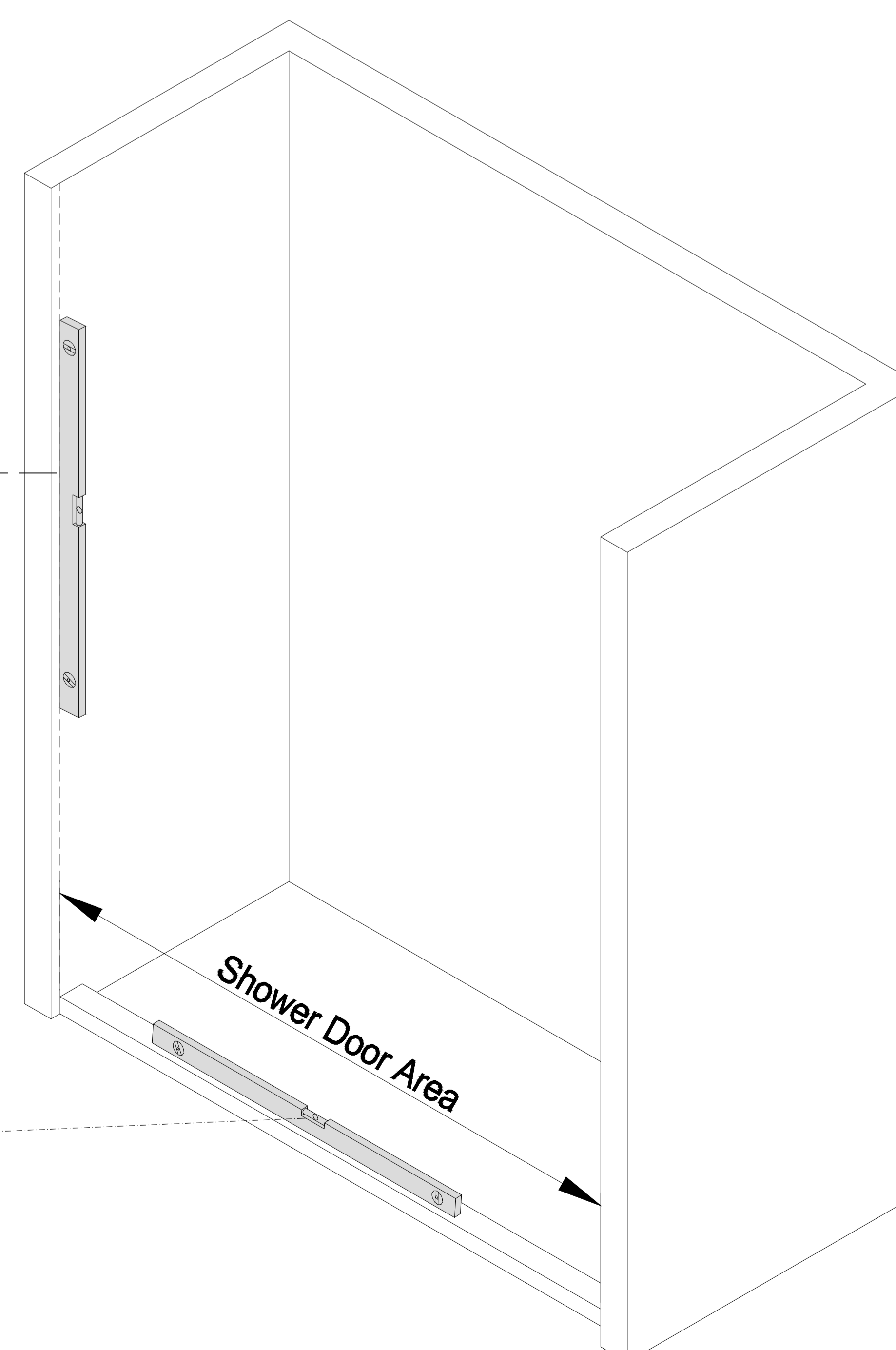
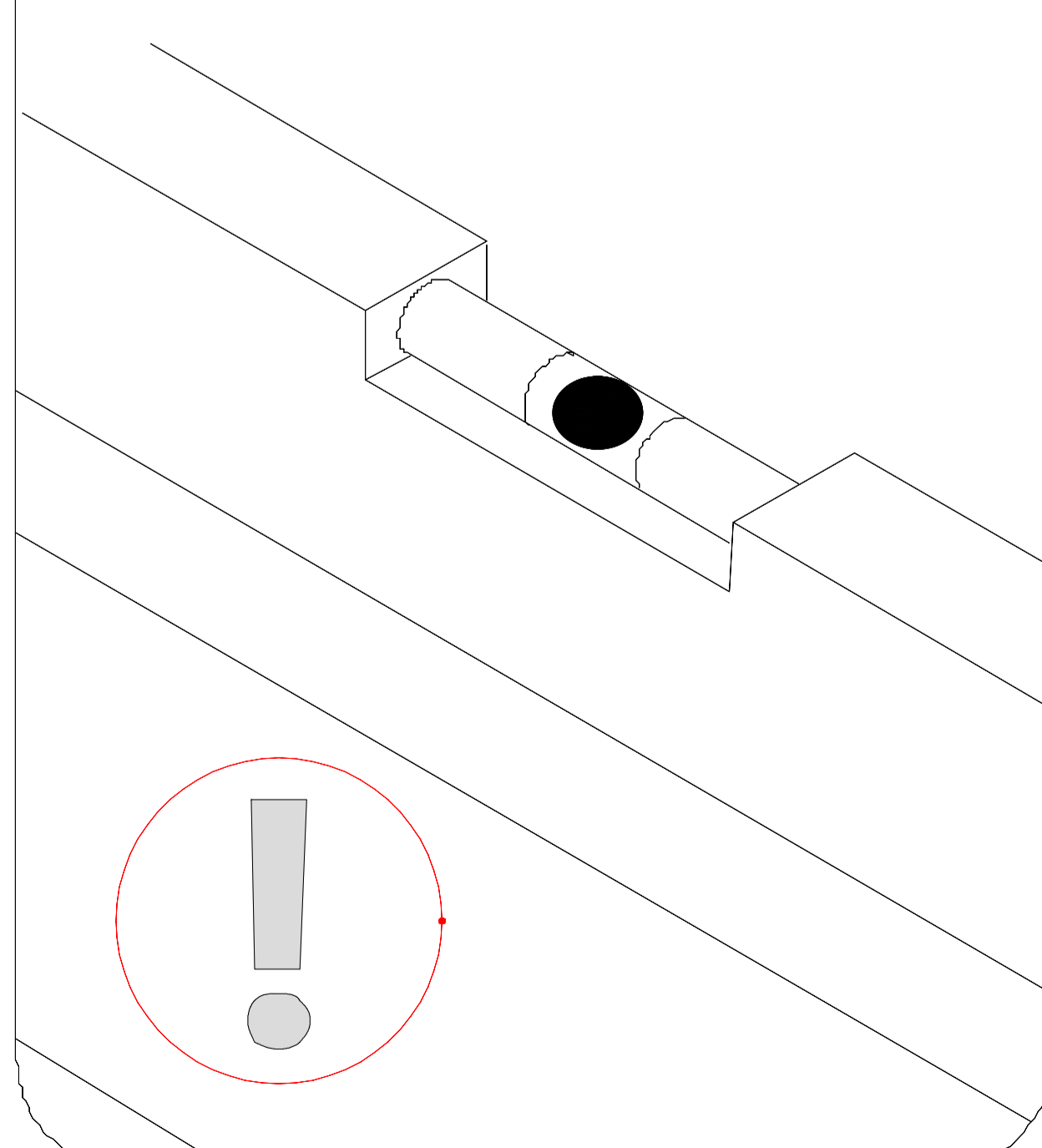
1. Measure the opening for the correct Shower Door distance " W1".
2. For 48" Shower Door, the opening should be **44-48"** between the lines.
4. For 60" Shower Door, the opening should be **56-60"** between the lines.



REQUIRED:

Verify threshold and wall with a level.

Threshold must be level.

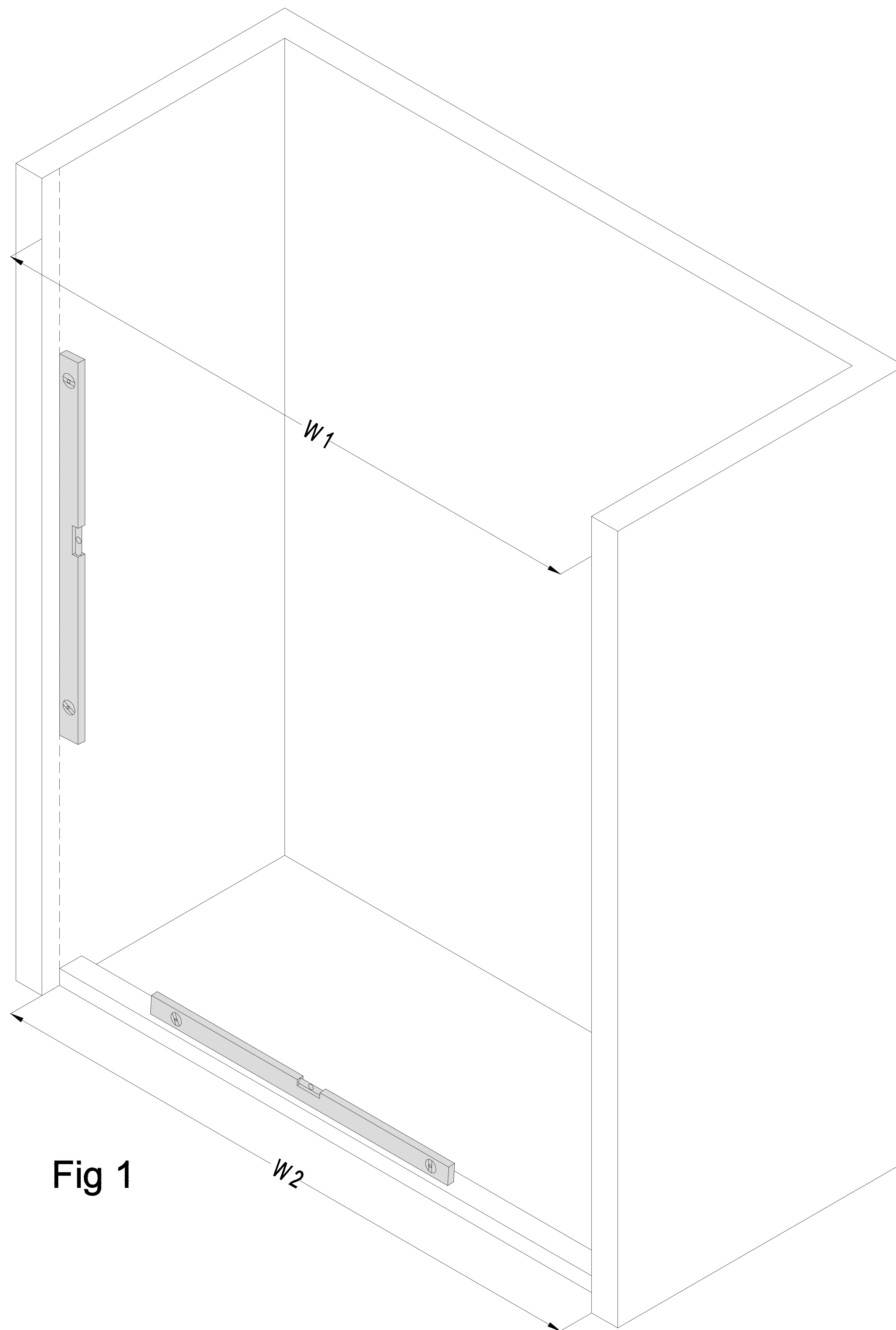


Please choose the product that fits your size

1. Measure the finished opening width.

NOTE

1. Measure the finished opening width at the bottom and at the model height. Use these dimensions as "W1" (top) and "W2" (bottom) in step #2.
2. Also check the threshold for level and the walls for plumb. (Fig 1)

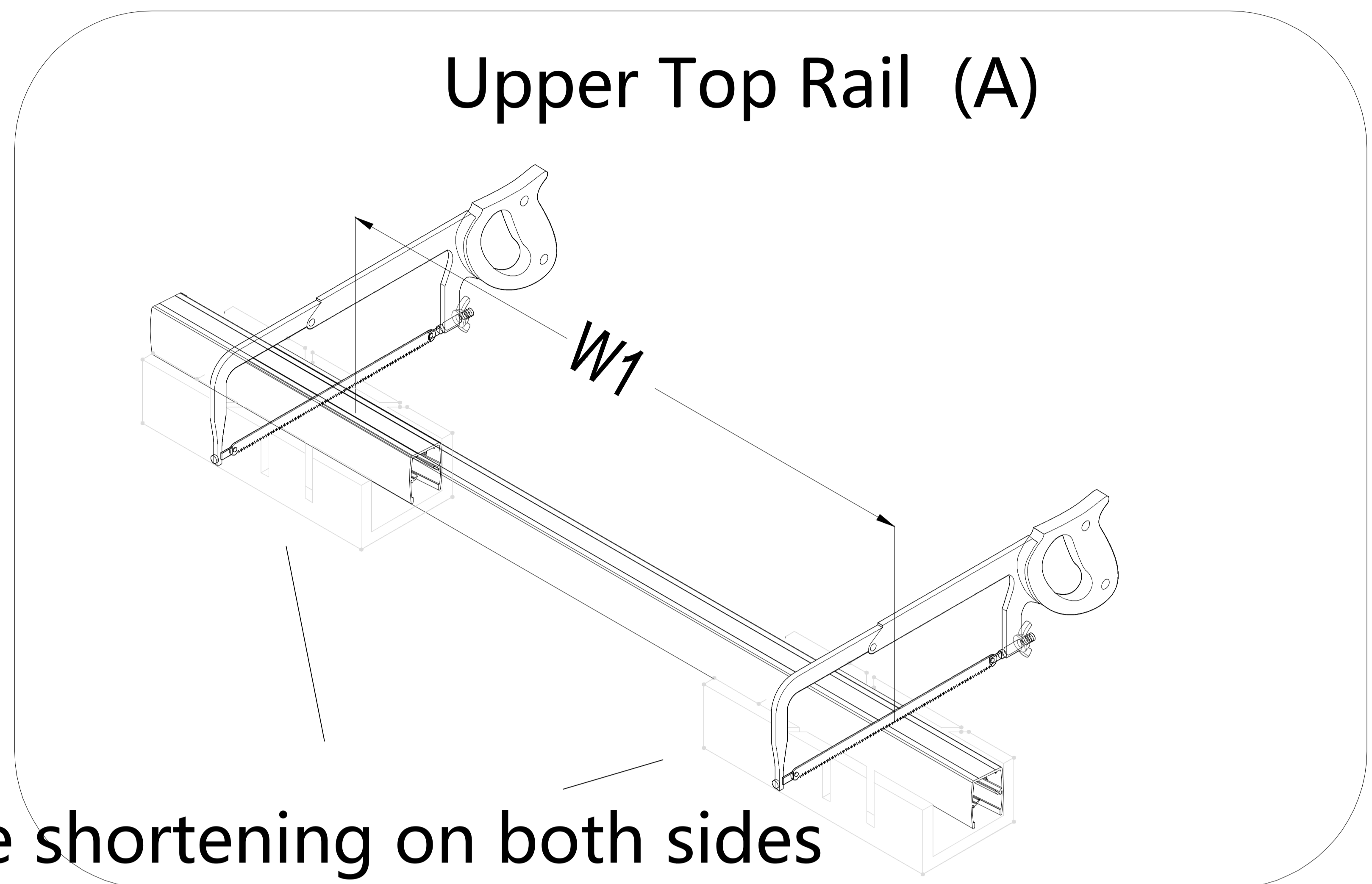


_____ Finished opening top (W1)

_____ Finished opening bottom (W2)

2. Cut the Upper Top Rail (A) and the Bottom Rail (F) to fit your finished opening using either a miter saw or a hacksaw

Cut the Upper Top Rail (M) to: "W1"



Cut the Bottom Rail (B) to: "W2"

Use a metal file to remove any burrs from the cut ends.

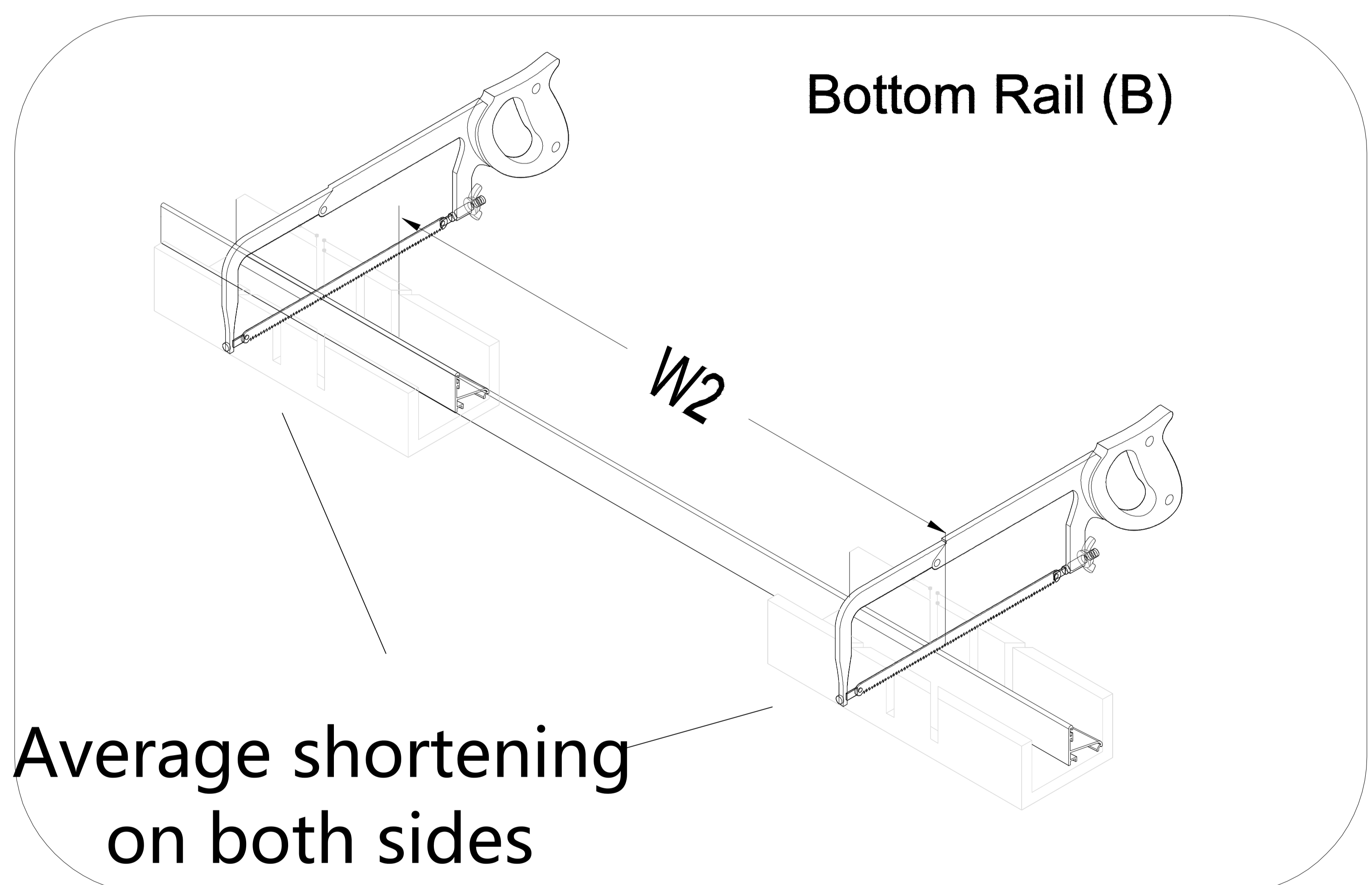
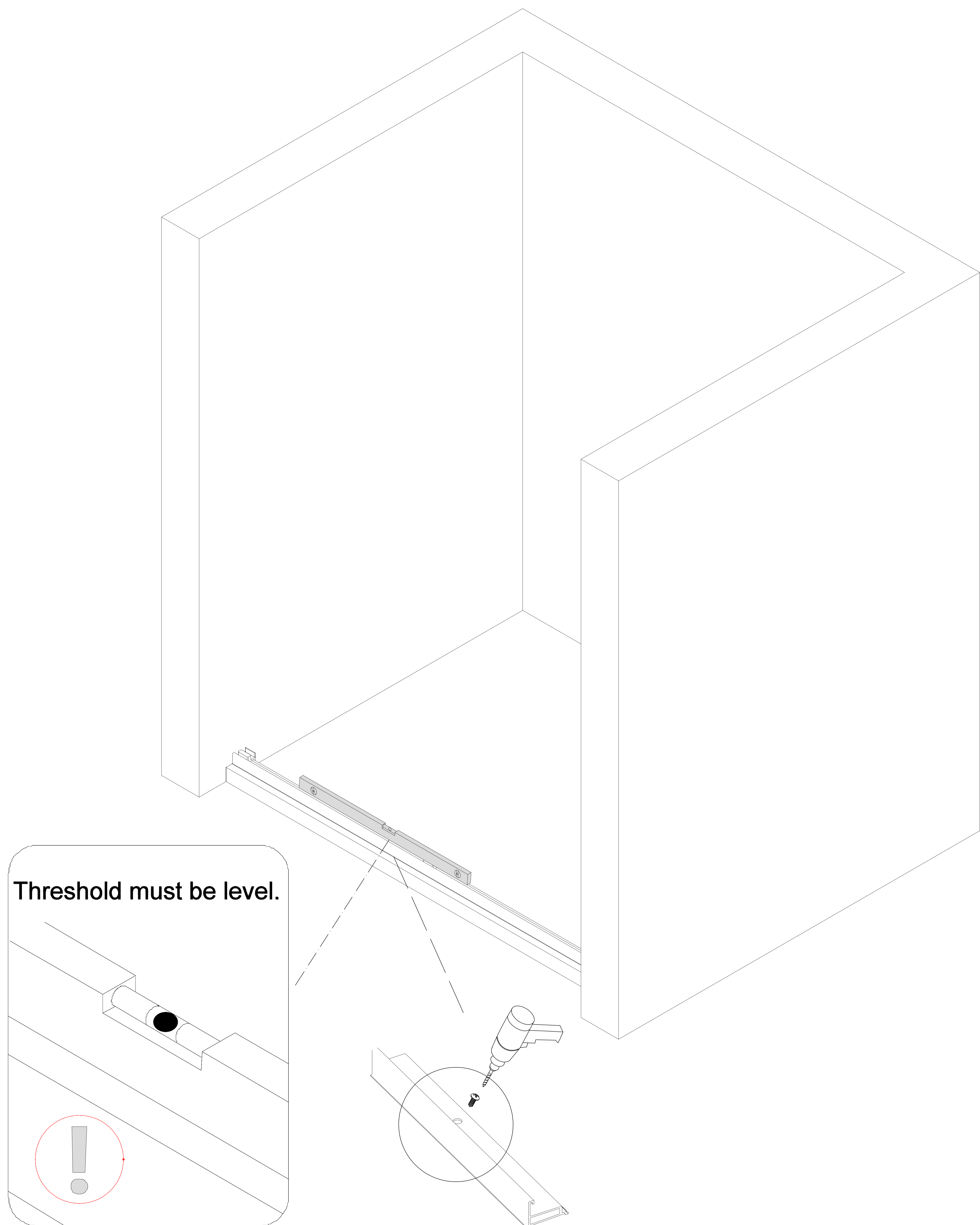


Fig 2

The product with a width of 60" is installed into a width of 58", i.e. $(60" - 58") / 2 = 1"$, each side is shortened by an average of 1".

3. Install Bottom Rail (F). Threshold must be level.



4. Install Wall Jamb (C), Threshold must be level as Fig.a

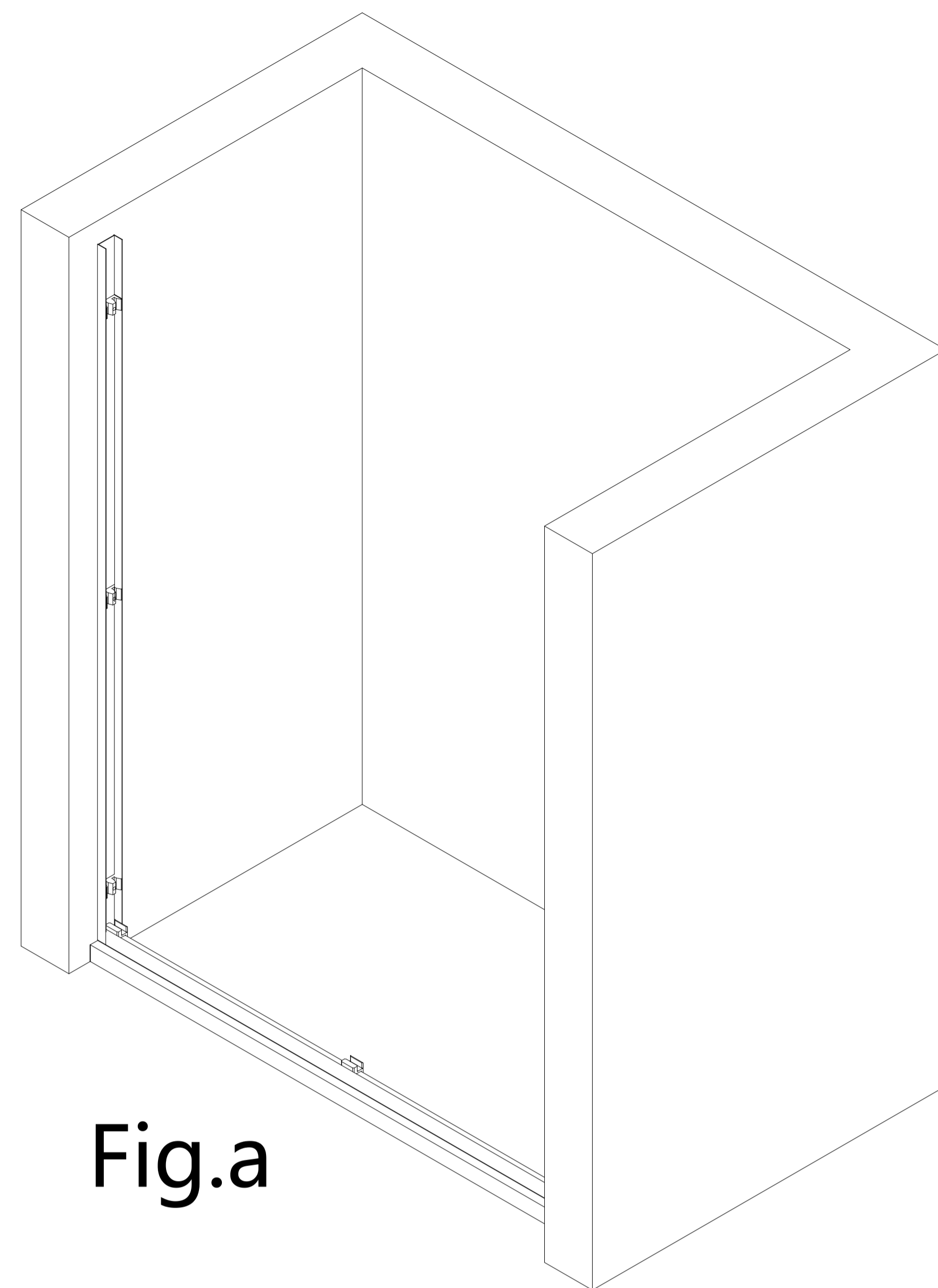


Fig.a

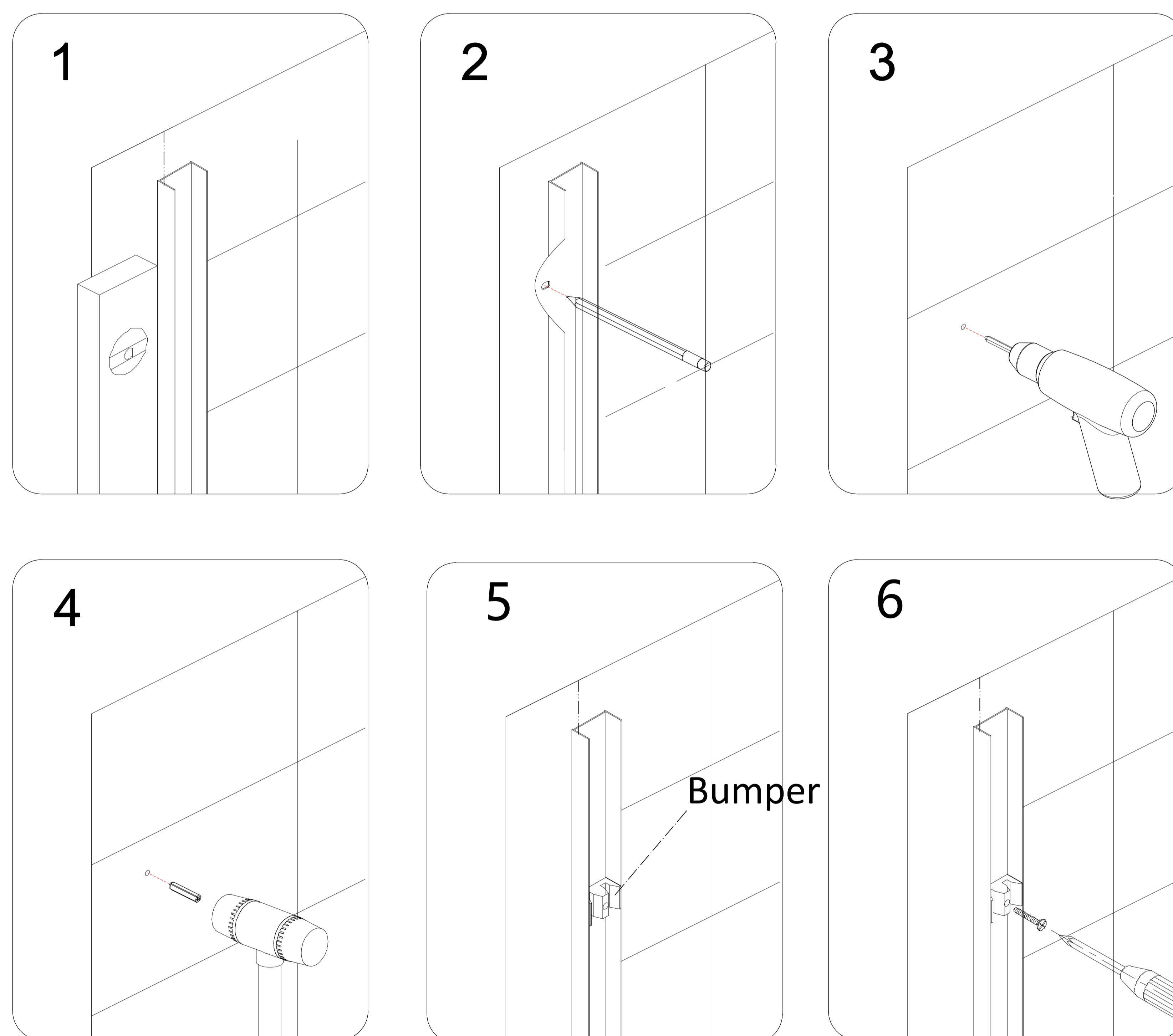
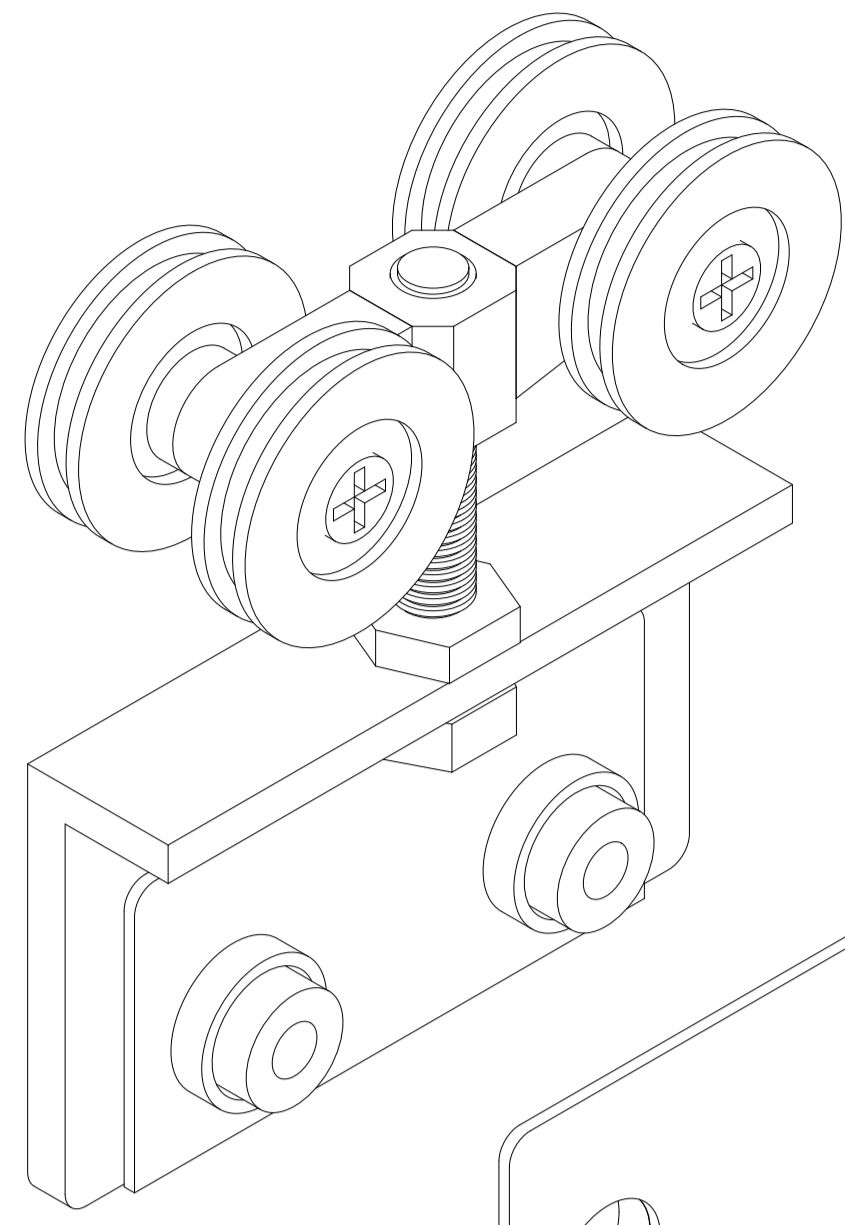


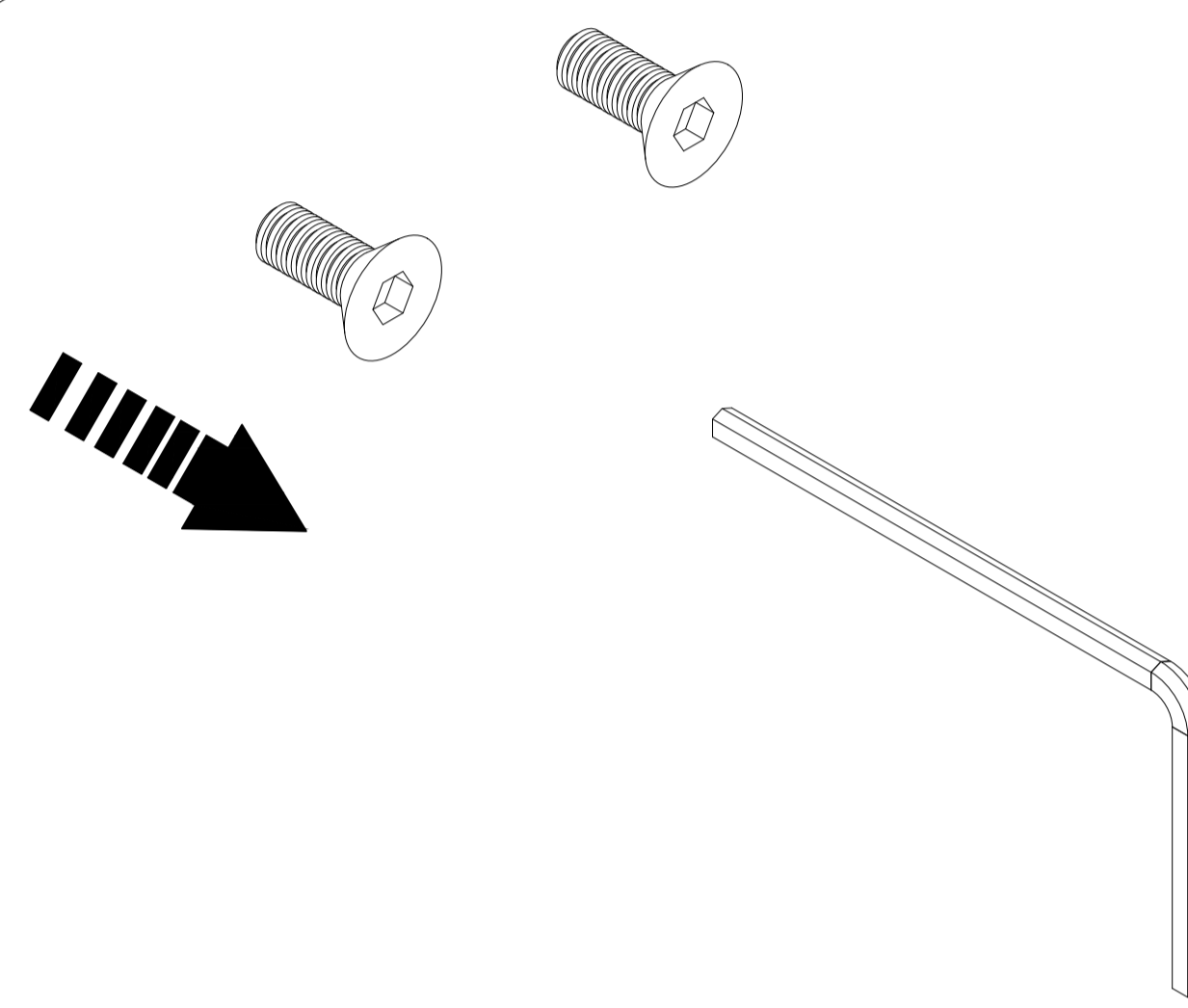
Fig 4

1. Make sure each Wall Jamb (C) is plumb.(Fig 4.1)
2. Mark the holes for drilling on the wall through the predrilled holes in the Wall Jamb (C).(Fig 4.2)
3. Drill the holes.(Fig 4.3,4.4)
- 4.Clamp the Bumper (D) into the wall Jamb (C) and align it with the wall hole (Fig 4.5)
5. Attach the Wall Jamb (C) to the wall using the Screws ST4.0*35 Fig 4.6)

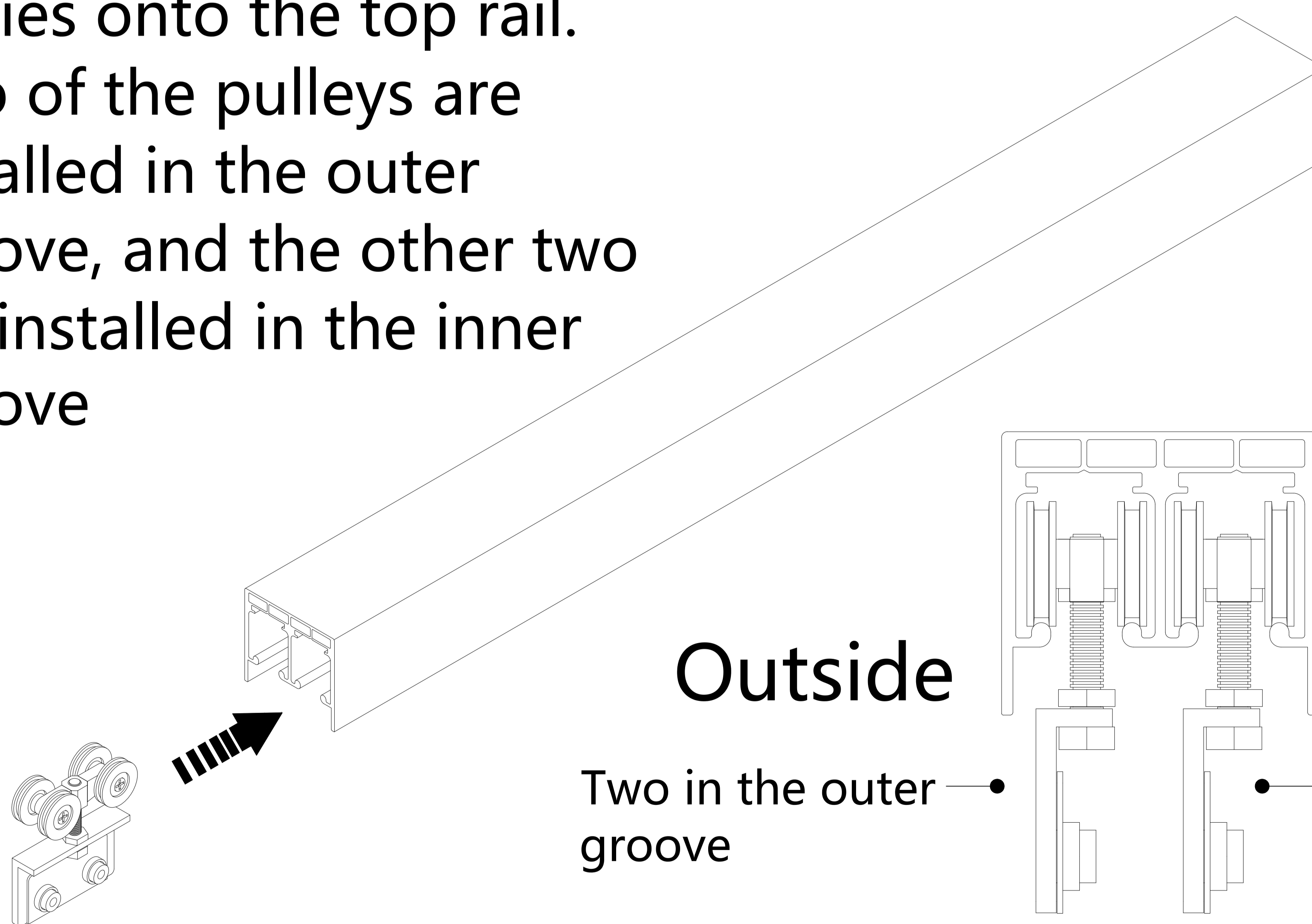
5. Install pulleys on the top rail



Use a hexagonal key to disassemble the pulley system



Install the four pulley bodies onto the top rail. Two of the pulleys are installed in the outer groove, and the other two are installed in the inner groove



The side with screw holes on the top rail faces inside the shower room

Outside

Inside

Two in the outer groove

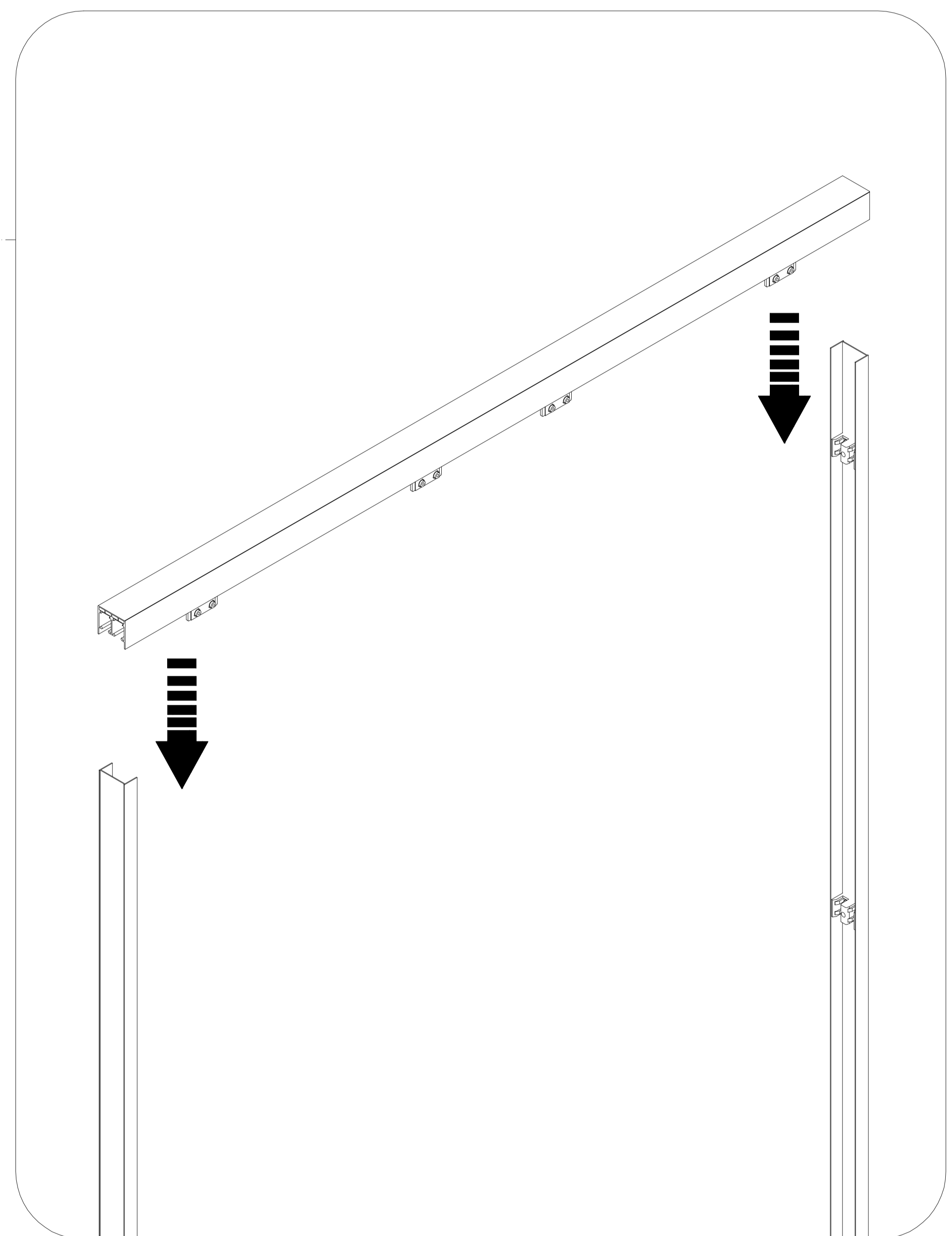
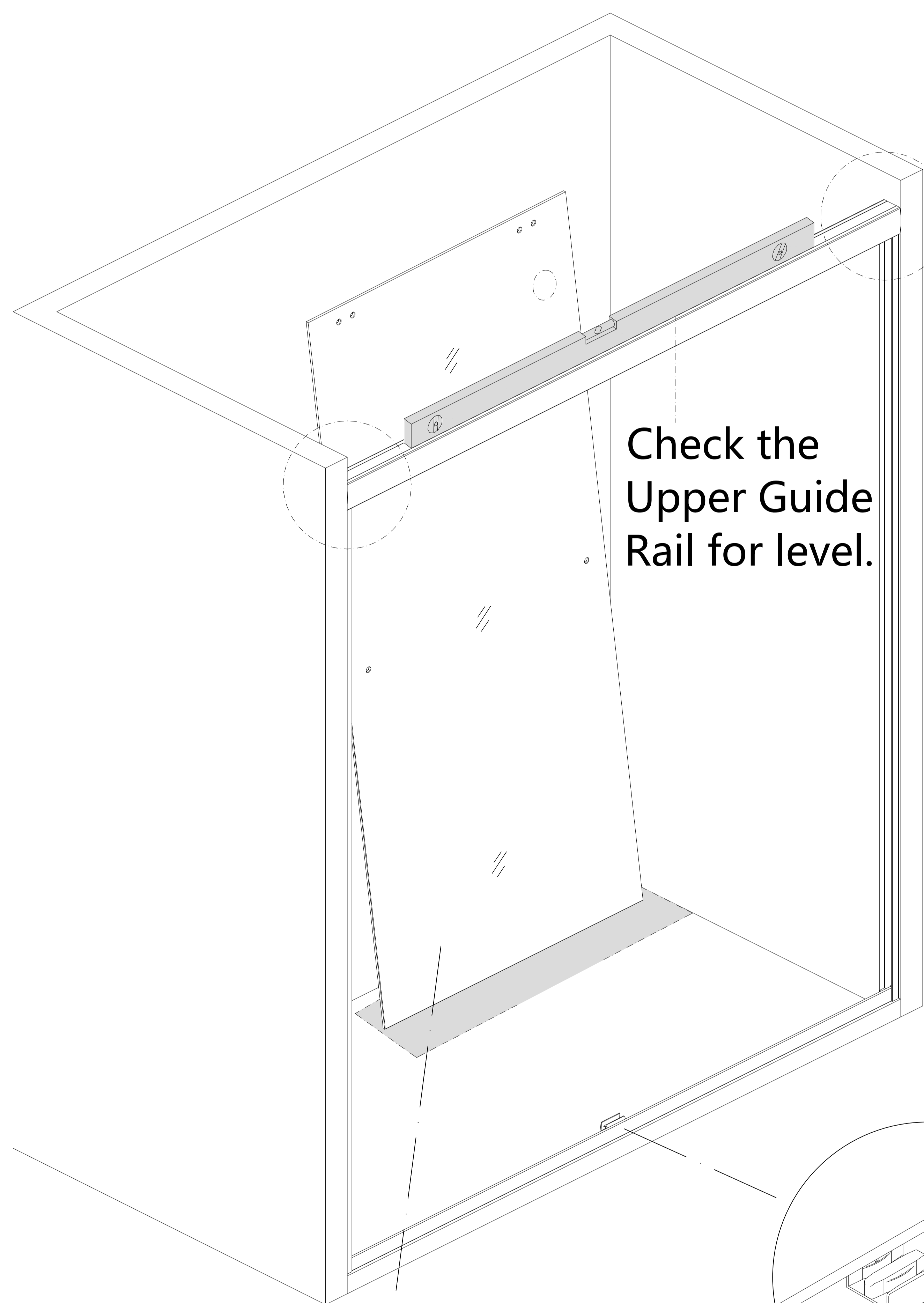
Two in the inner groove

6. Upper Top Rail (A) Installation

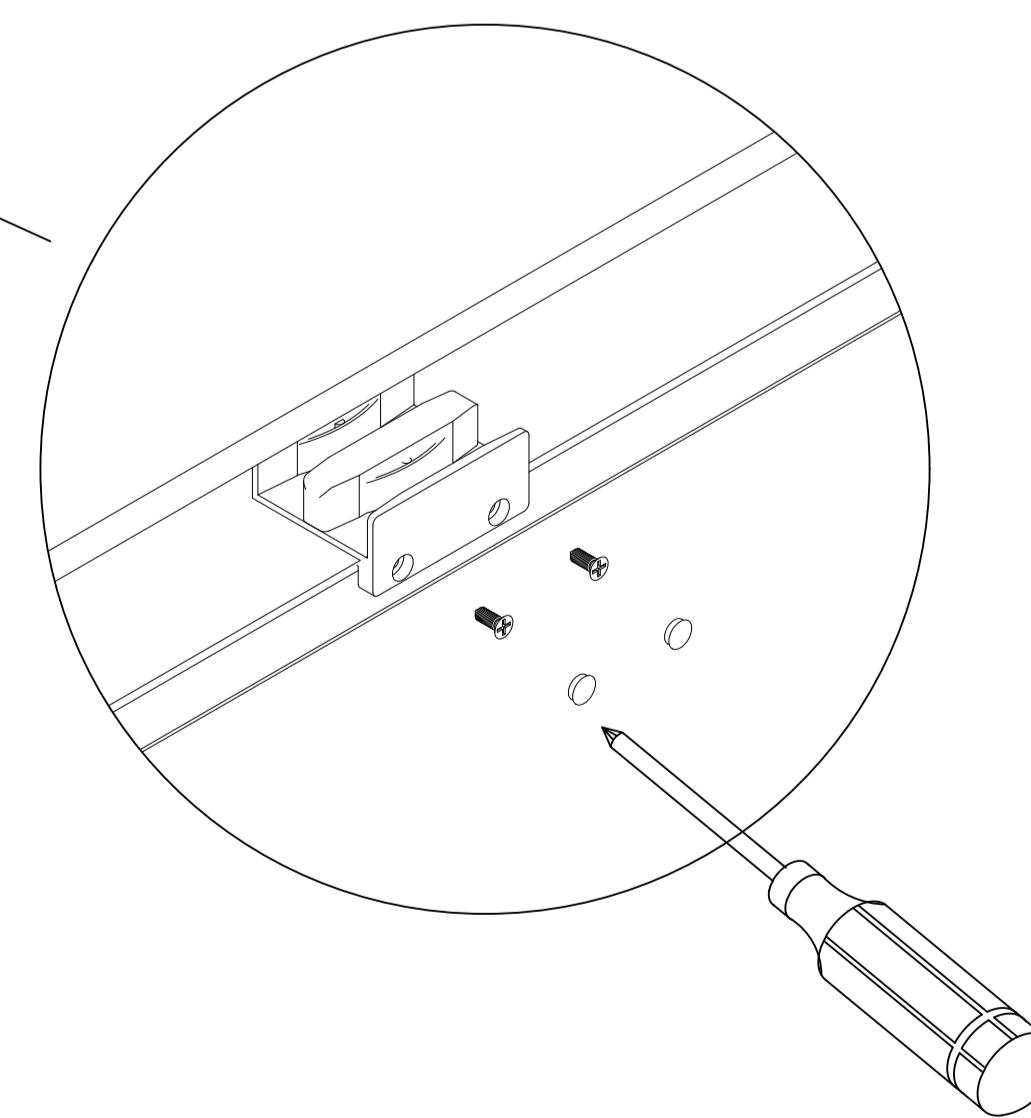
NOTE

Put Inside Glass Panel inside the shower place before install the Upper Top Rail(A)

Insert the Upper Top Rail(A) into the installed Wall Jamb(C).



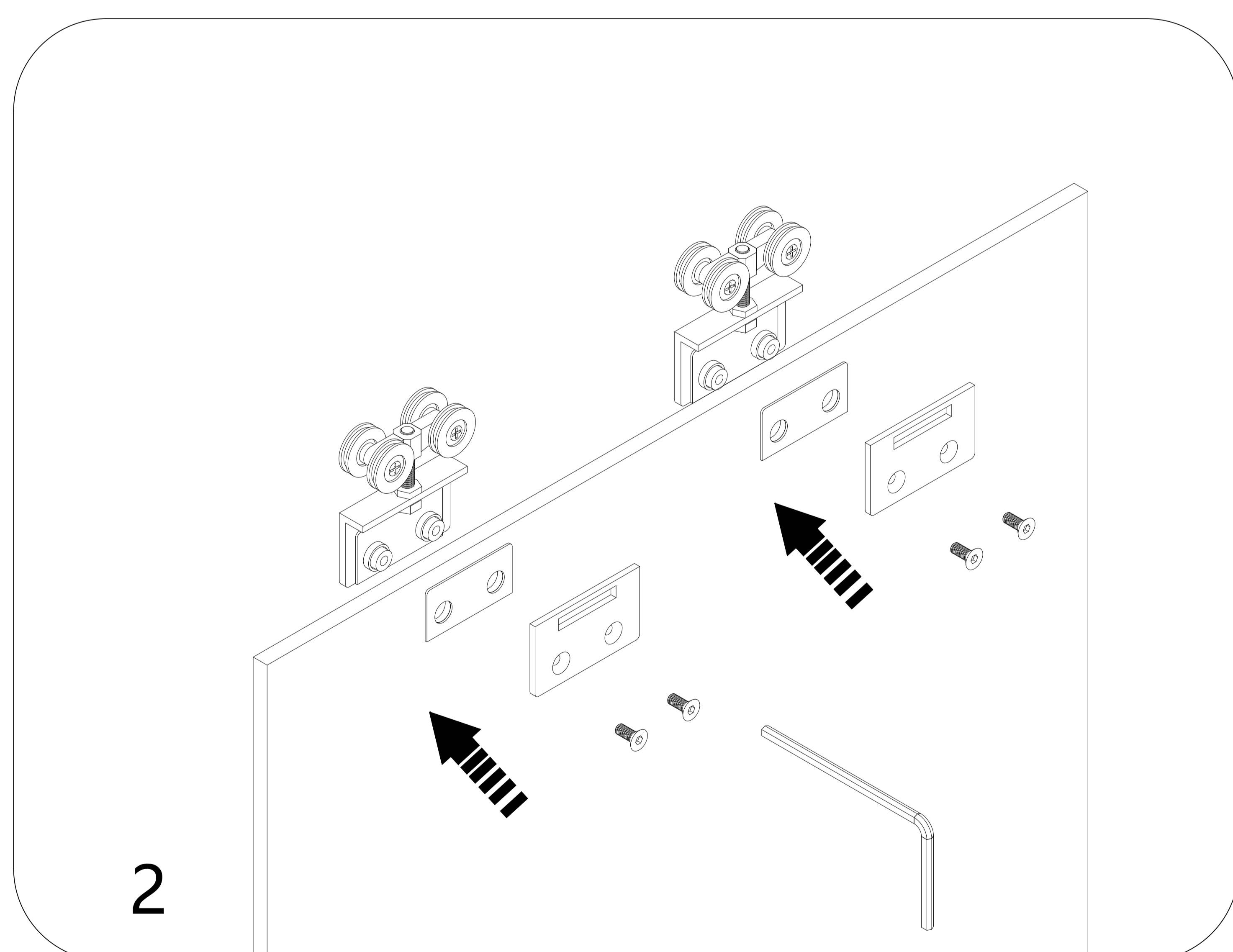
Lay the glass on a soft padded surface!



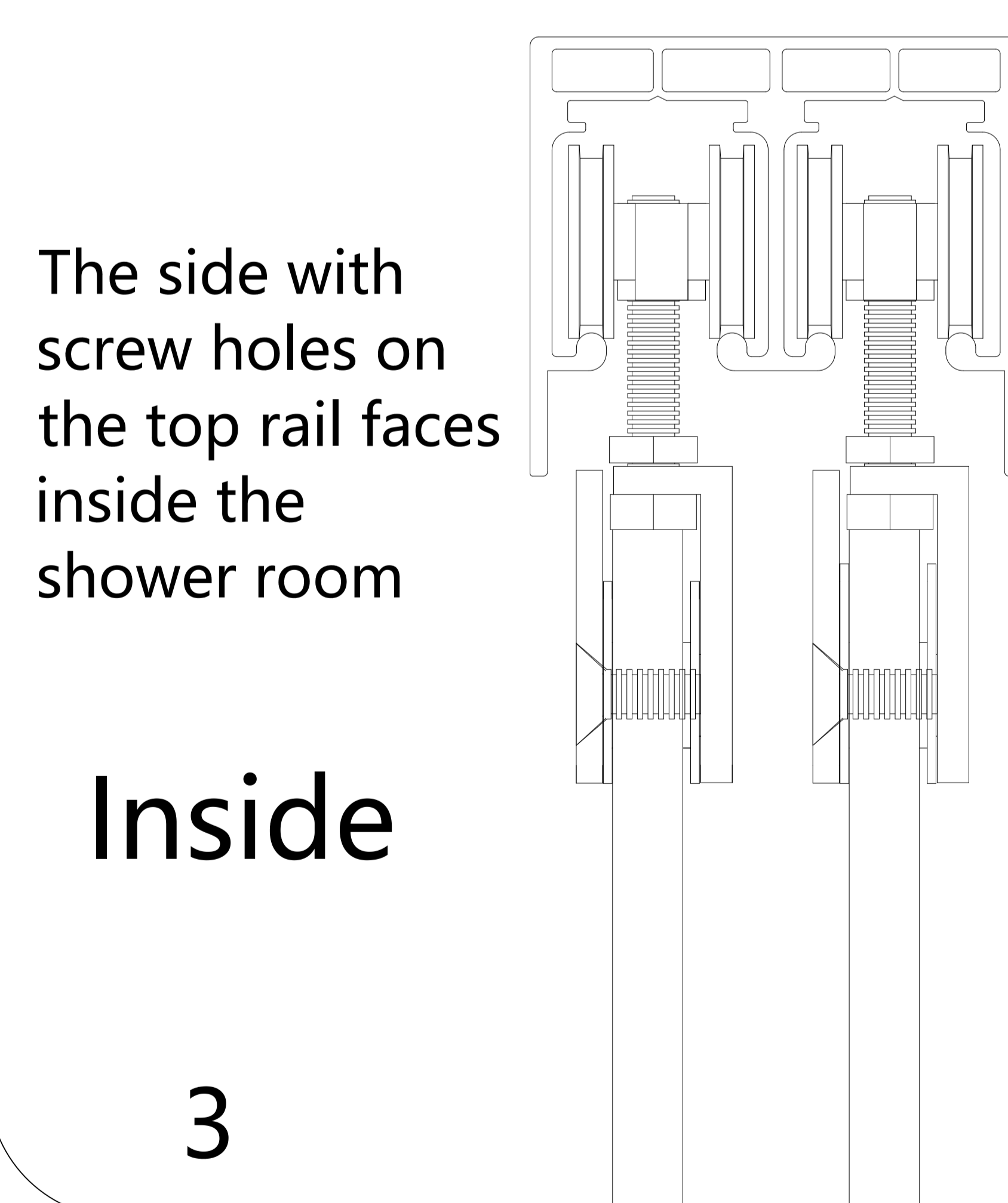
Install slider block in the middle of the track.

7. Install sliding glass door

Hang the sliding glass door
on the corresponding pulley

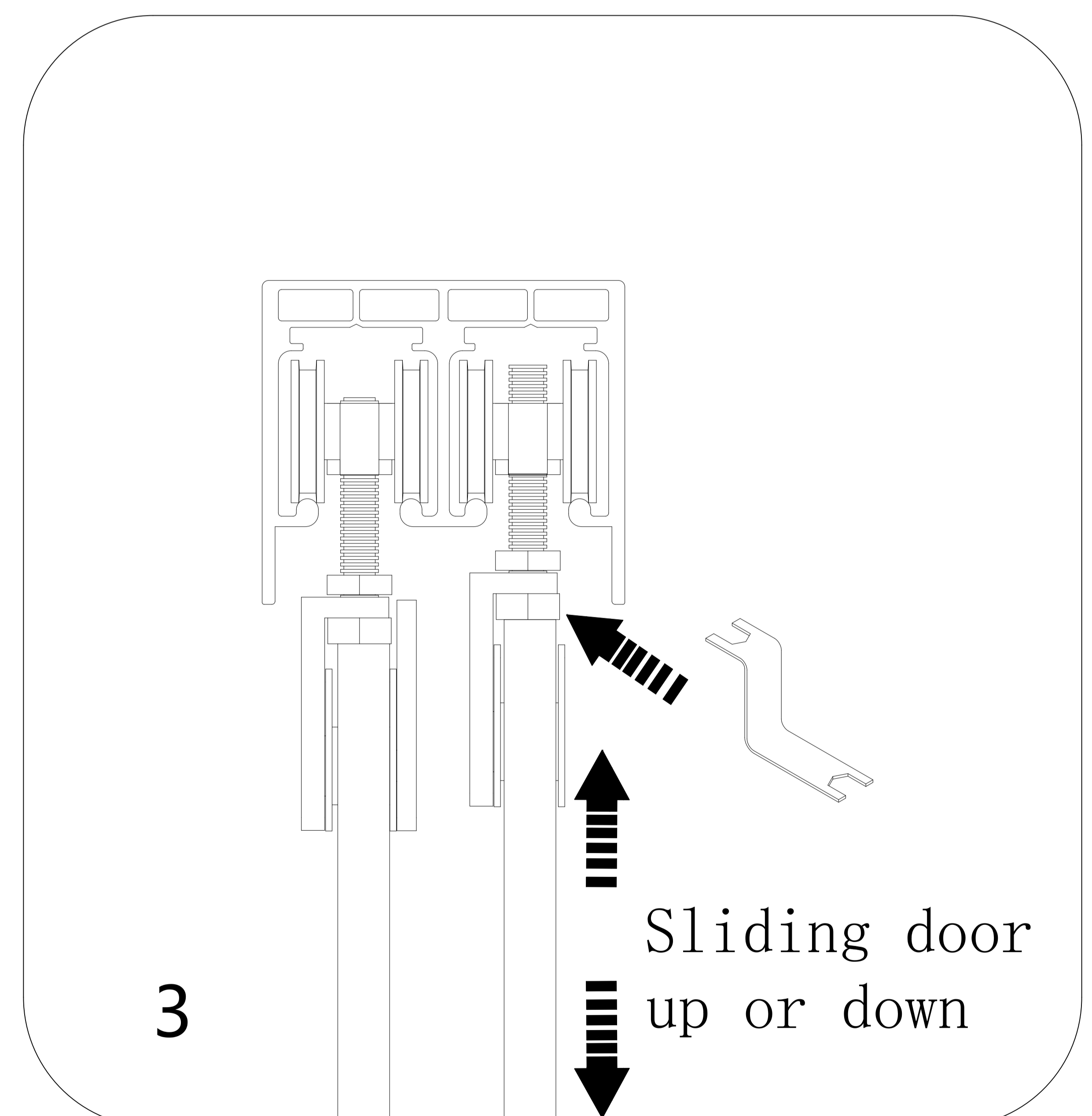
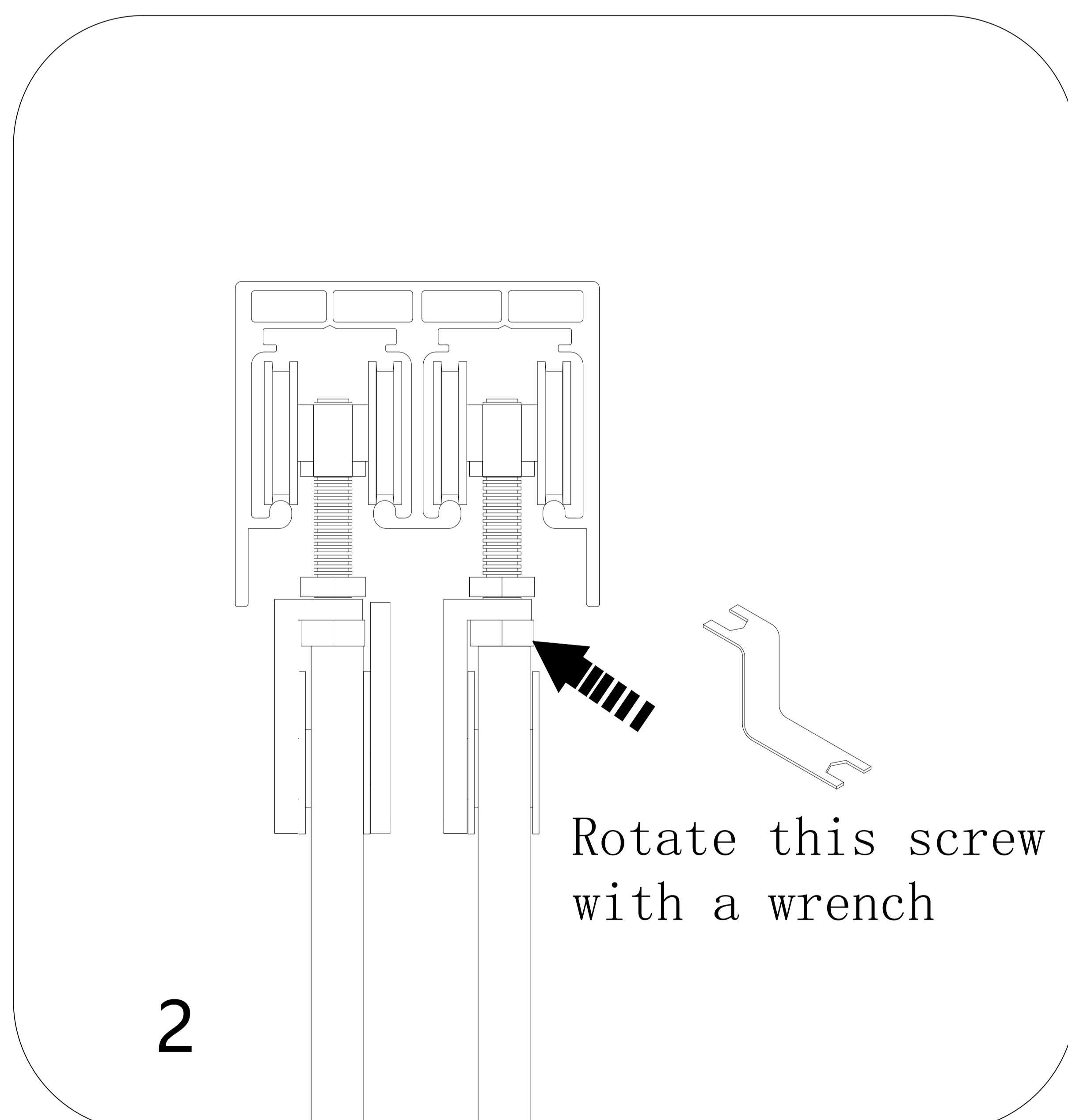
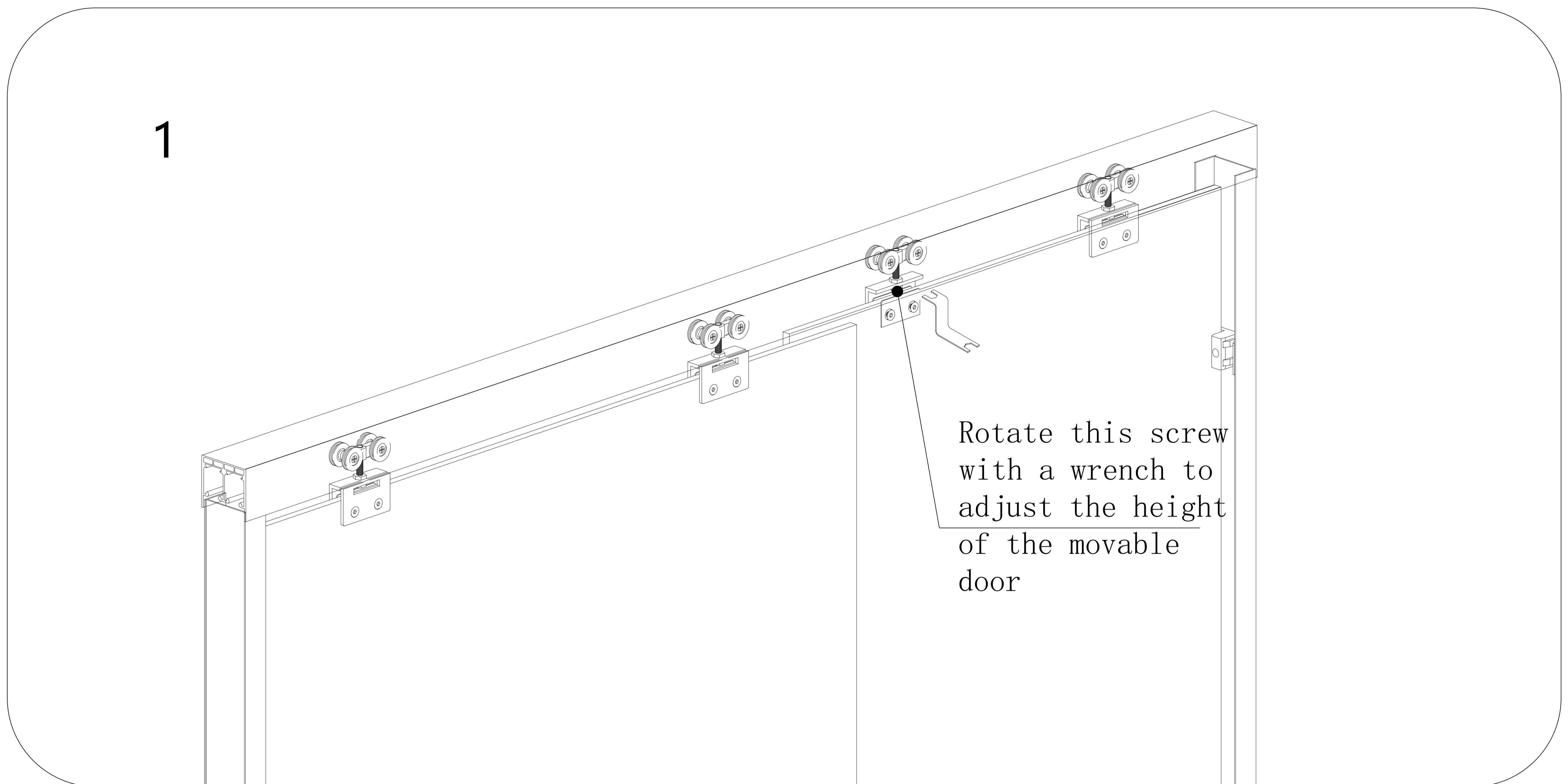


Tighten the pulley
with a hexagonal key



Install another door using the
same method on the
corresponding other two pulleys

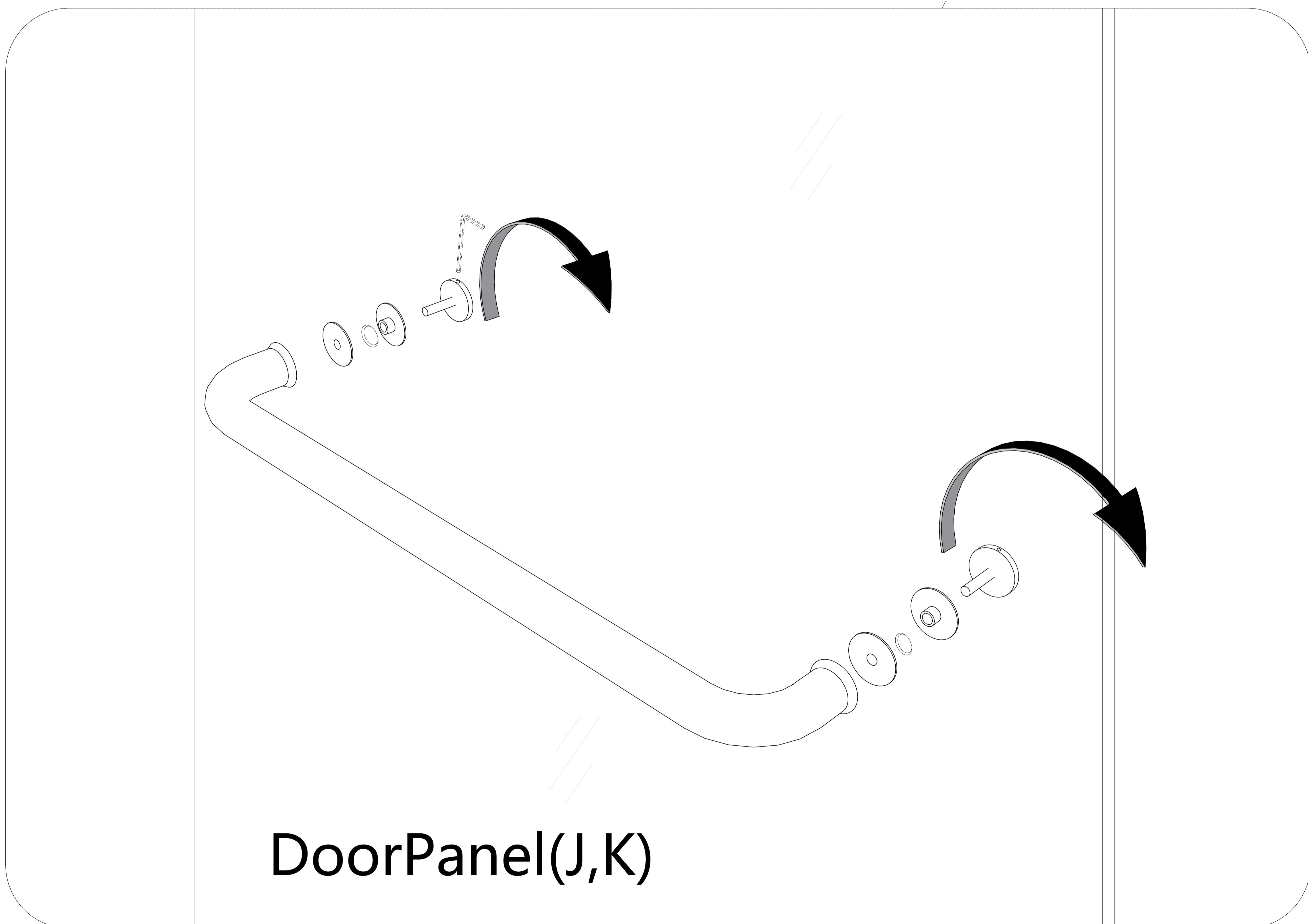
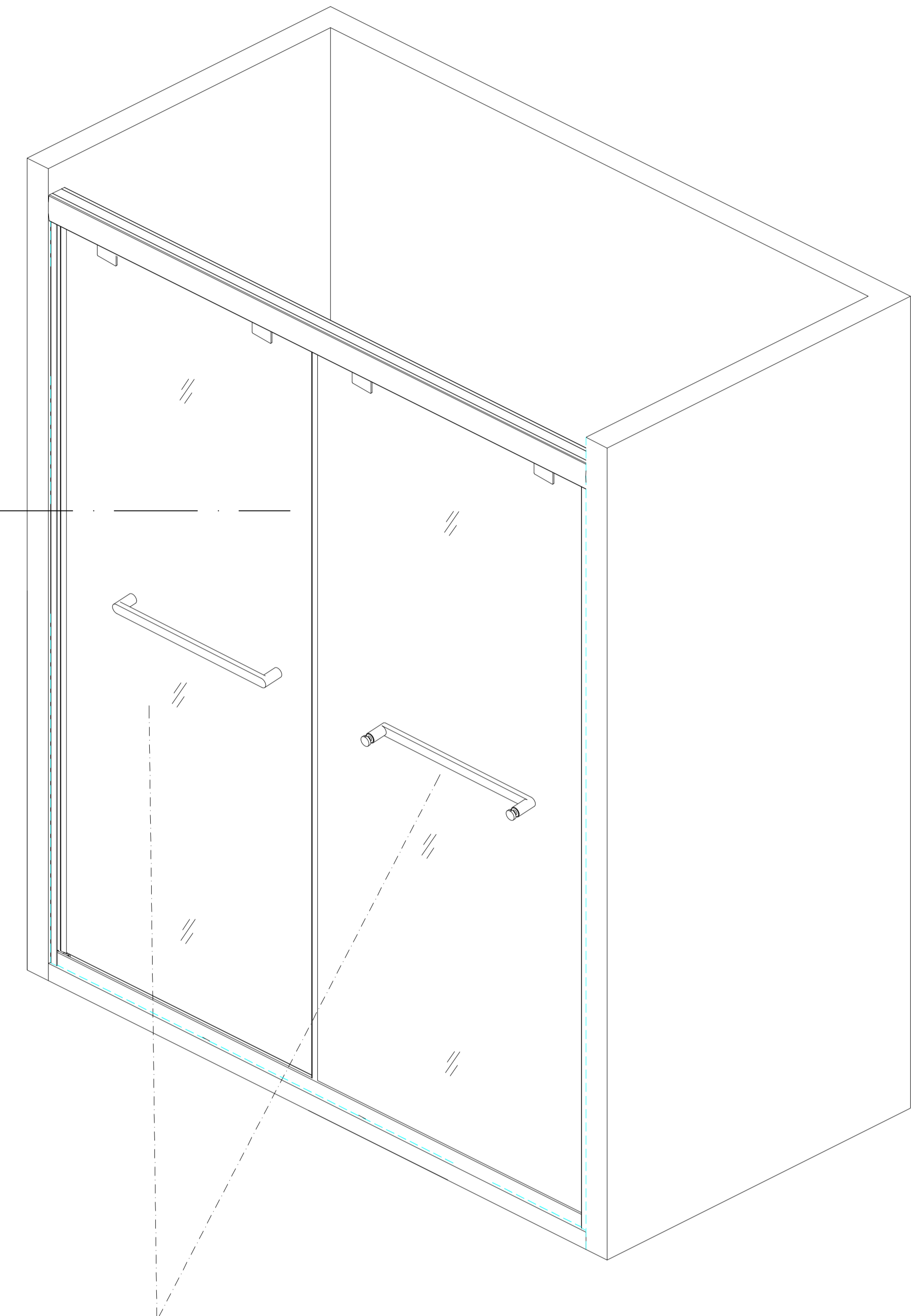
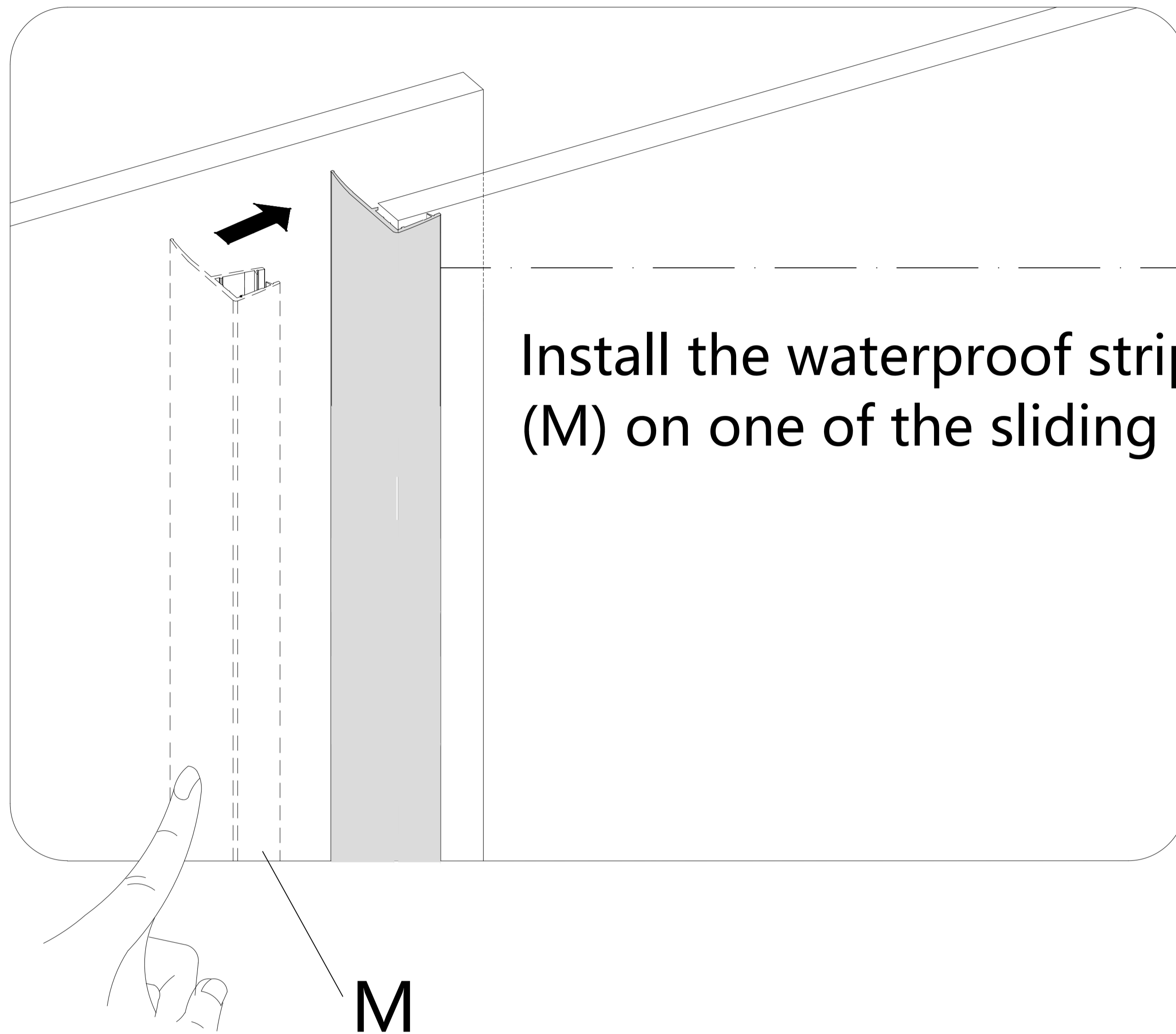
8. Adjust the left and right height of the sliding door



9. Handle (E) and Waterproof strip (M) Installation

NOTE

Attach the Handle (E) to the Door Panel(J,K) . Be sure to use all of the supplied rubber gaskets to protect the glass.



10. SEALING

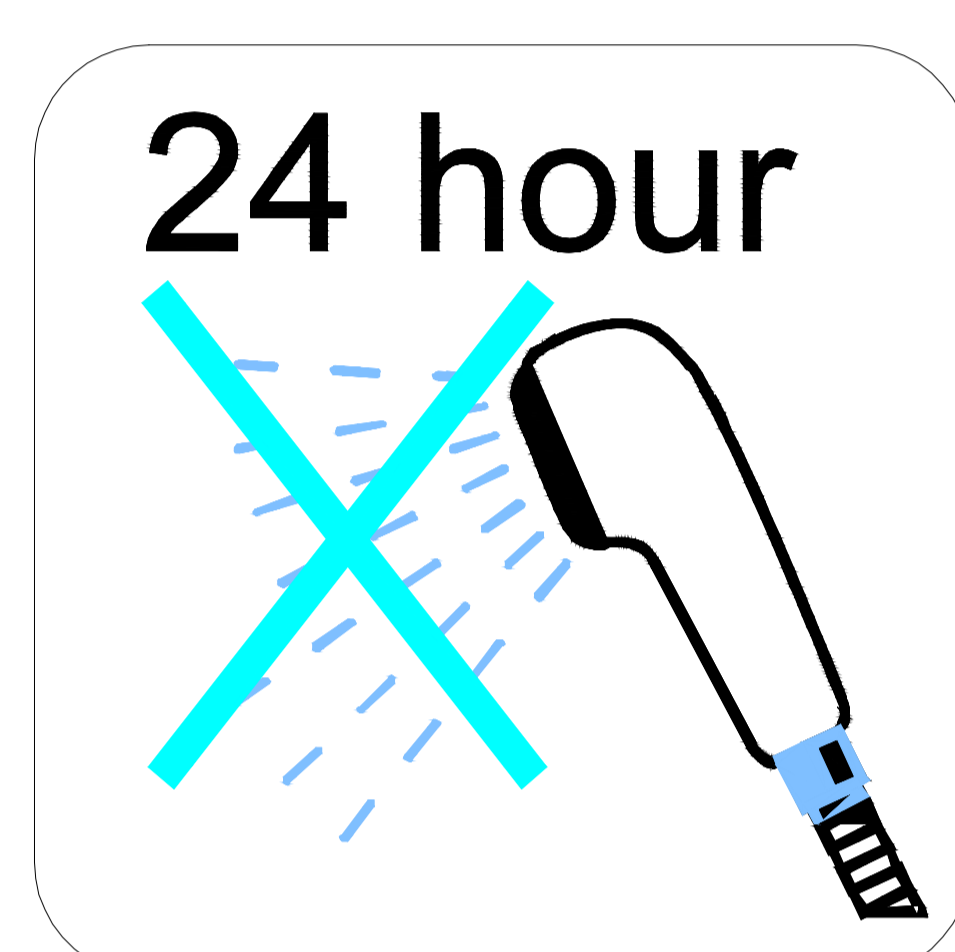
NOTE

The surfaces need to be clean and free of debris before applying silicone sealant.

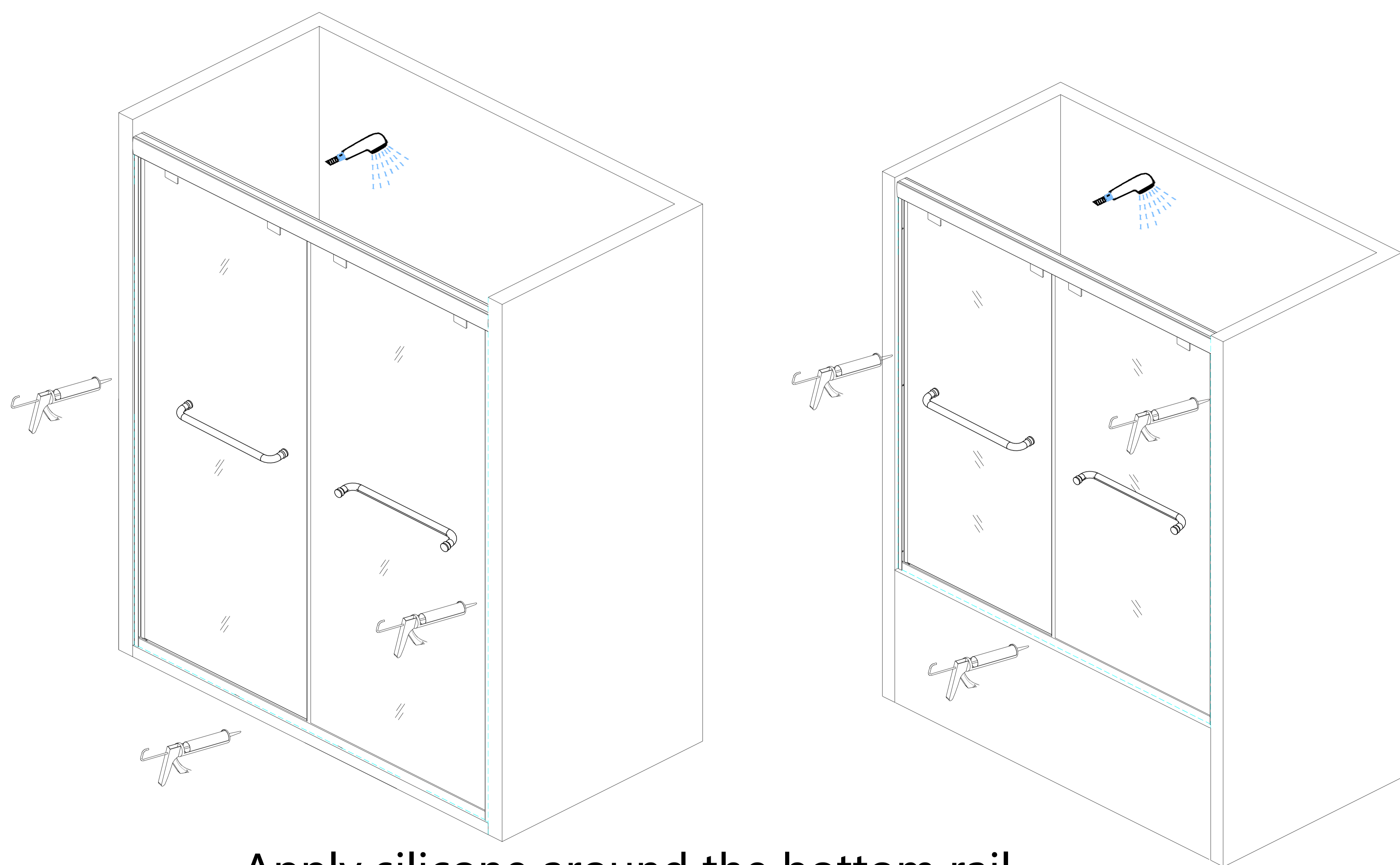
NOTE

Ensure that the Shower door closes tightly and opens smoothly.
Apply a good quality silicone sealant along the wall Jamb(C) and Bottom Rail(F).

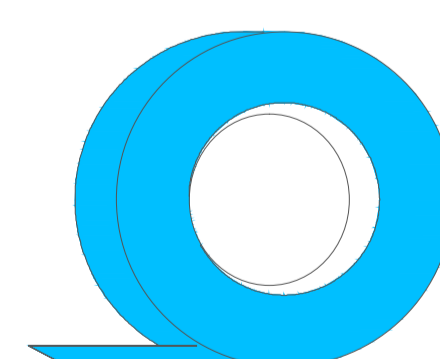
Allow 24 hours for the silicone to cure before using the shower.



Apply Silicone Sealant,(not supplied)



Apply silicone around the bottom rail.



Use Painter's Tape to hold the water seal tight in position while the silicone cures.