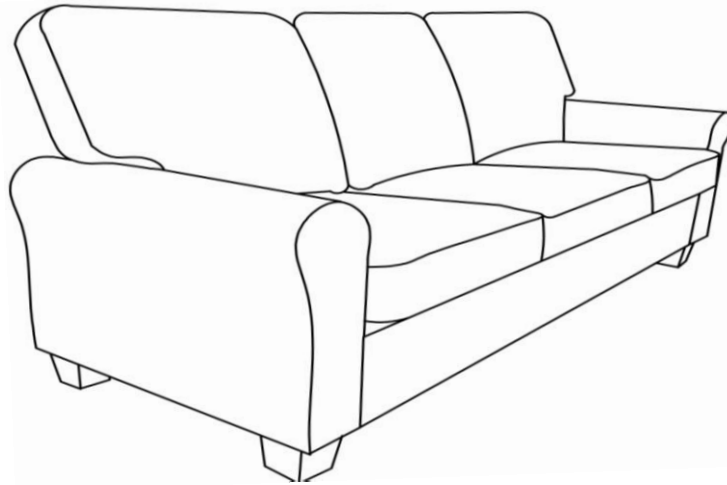


# Assembly Instructions

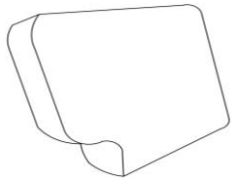
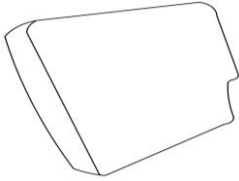
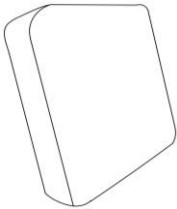
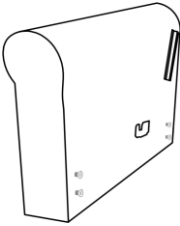
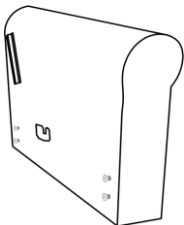



**Caution: You must read this before you proceed**


## Sofa



### Part List

Label	Picture	Description	QTY
A	A line drawing of a rectangular seat base. It has two metal loops on the front edge, one near each corner, which are used for attaching the seat cushions.	Seat Base	1
B	A line drawing of a rectangular backrest. It has three horizontal slots on the top edge, which are used for attaching the backrest to the seat base.	Backrest	1
C	A line drawing of a square seat cushion.	Seat Cushion	3

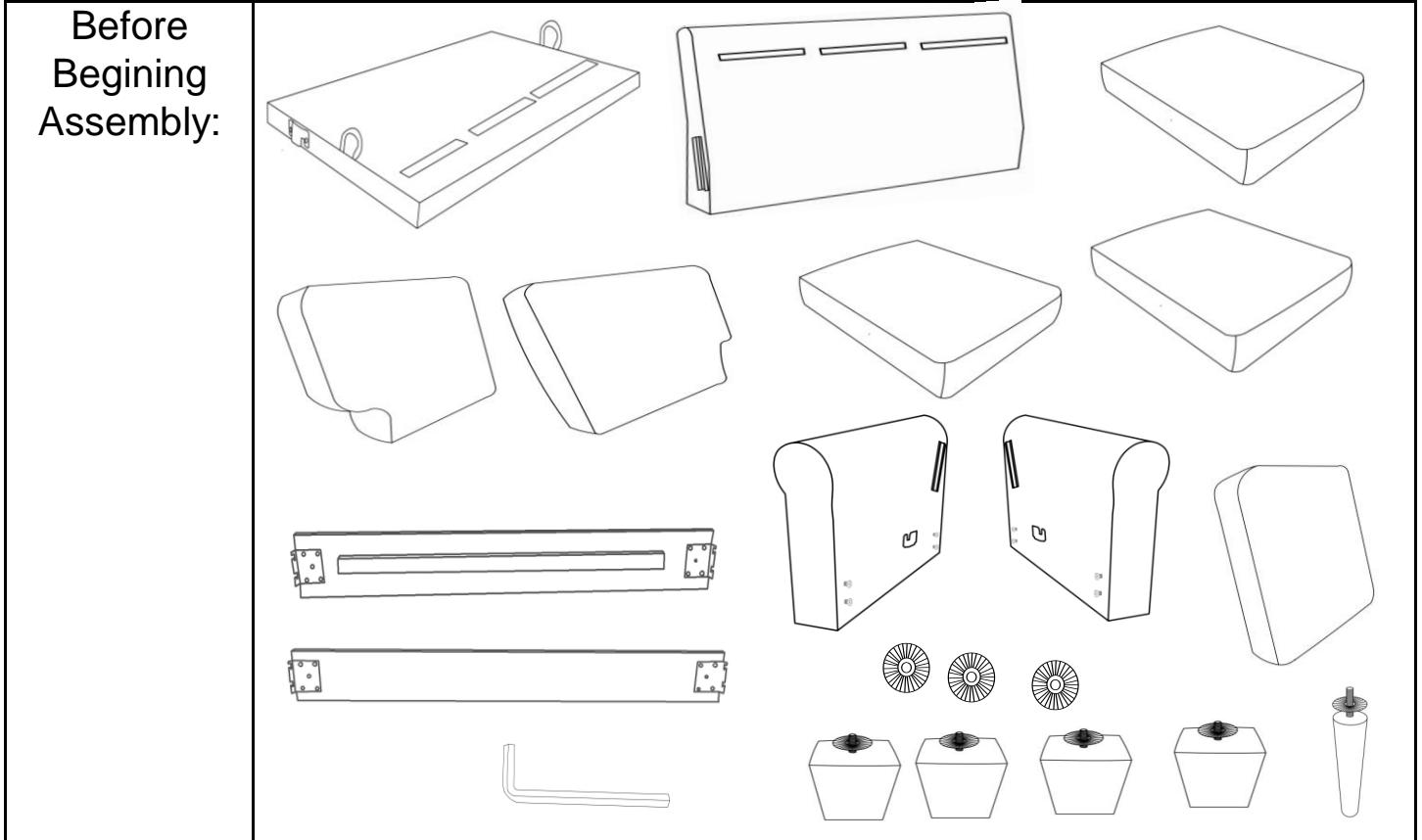
D		Left Back Cushion	1
E		Right Back Cushion	1
F		Middle Back Cushion	1
G		Left Arm	1
H		Right Arm	1
I		Front Seat Board	1
J		Back Seat Board	1
K		Wood Leg (with Gasket)	4






L		Middle Leg (with Gasket)	1
---	---	-----------------------------	---

## Hardware

Label	Picture	Description	QTY
①		Gasket	3
②		Allen Key	1

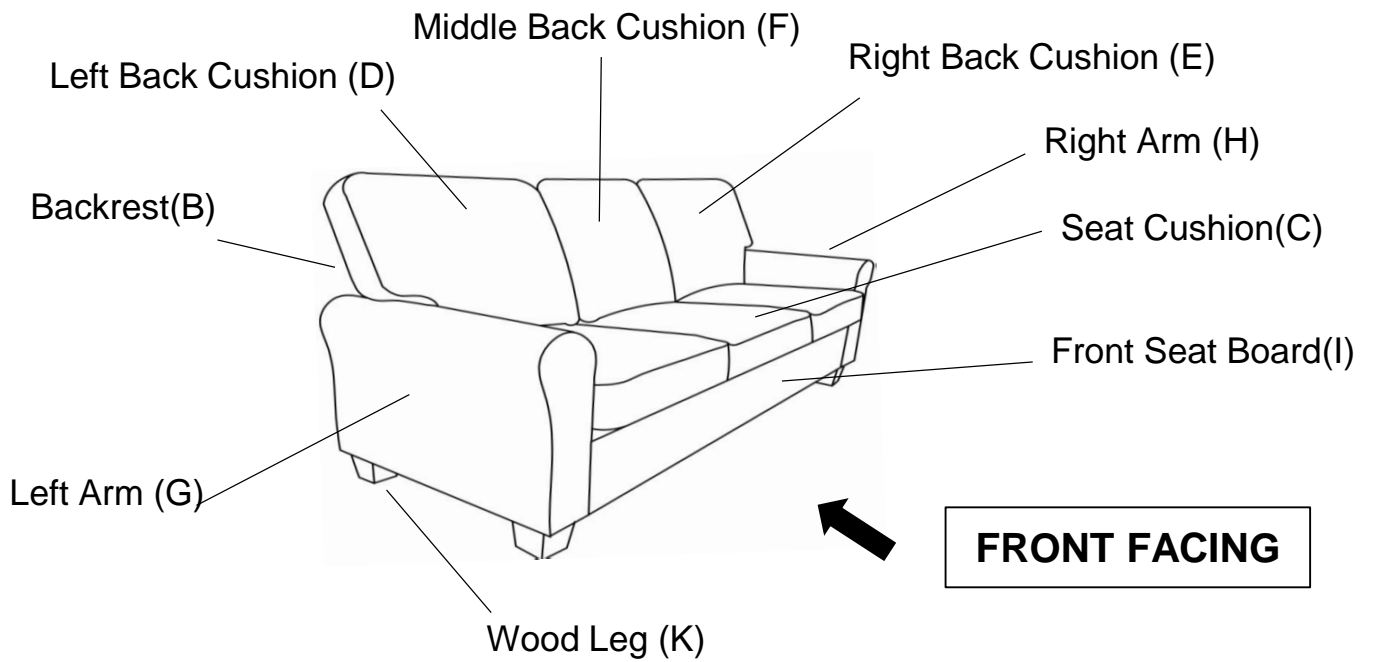
## Assembly Preparation



-  • Read instructions, cover to cover-
-  • Have 2 adults on hand for assembly-
-  • Do not assemble on flooring or carpet-
-  • Assemble on a clean non-marring surface (packing foam)-
-  • Save all packaging until finished-

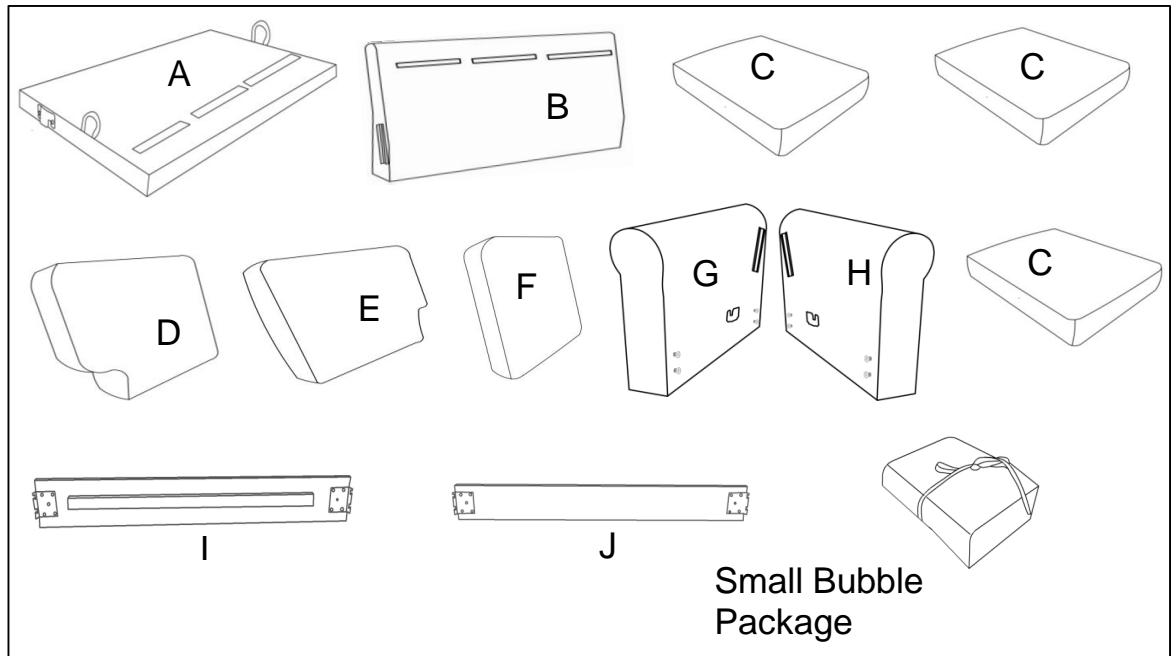
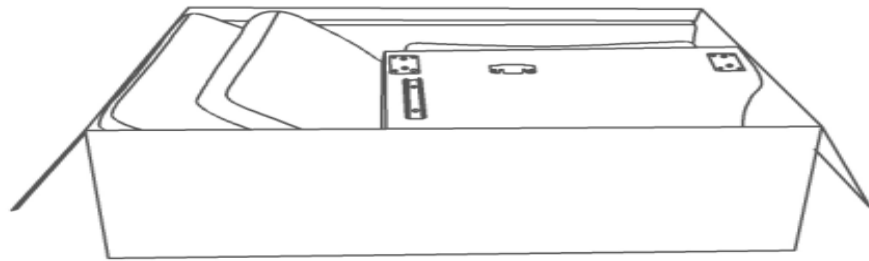
# Assembly Steps

## Overview



This Sofa has multiple parts and may require about 30 minutes to assemble. To give you an overview of the Sofa parts, the above picture is to help you put the various parts into perspective. Please read through the instructions below to familiarise yourself with the parts and steps before assembly.

## Step 1

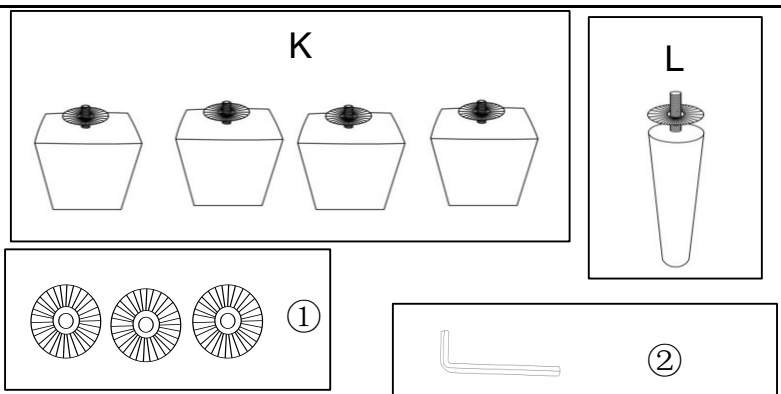


Take the Seat Base(A), Backrest(B), Seat Cushions(C), Left Back Cushion(D), Right Back Cushion(E), Left Arm(G), Right Arm (H), Front Seat Board(I), Back Seat Board(J) and Small Bubble Package out of the carton and place them on a clean, non-marring surface.

## Step 2

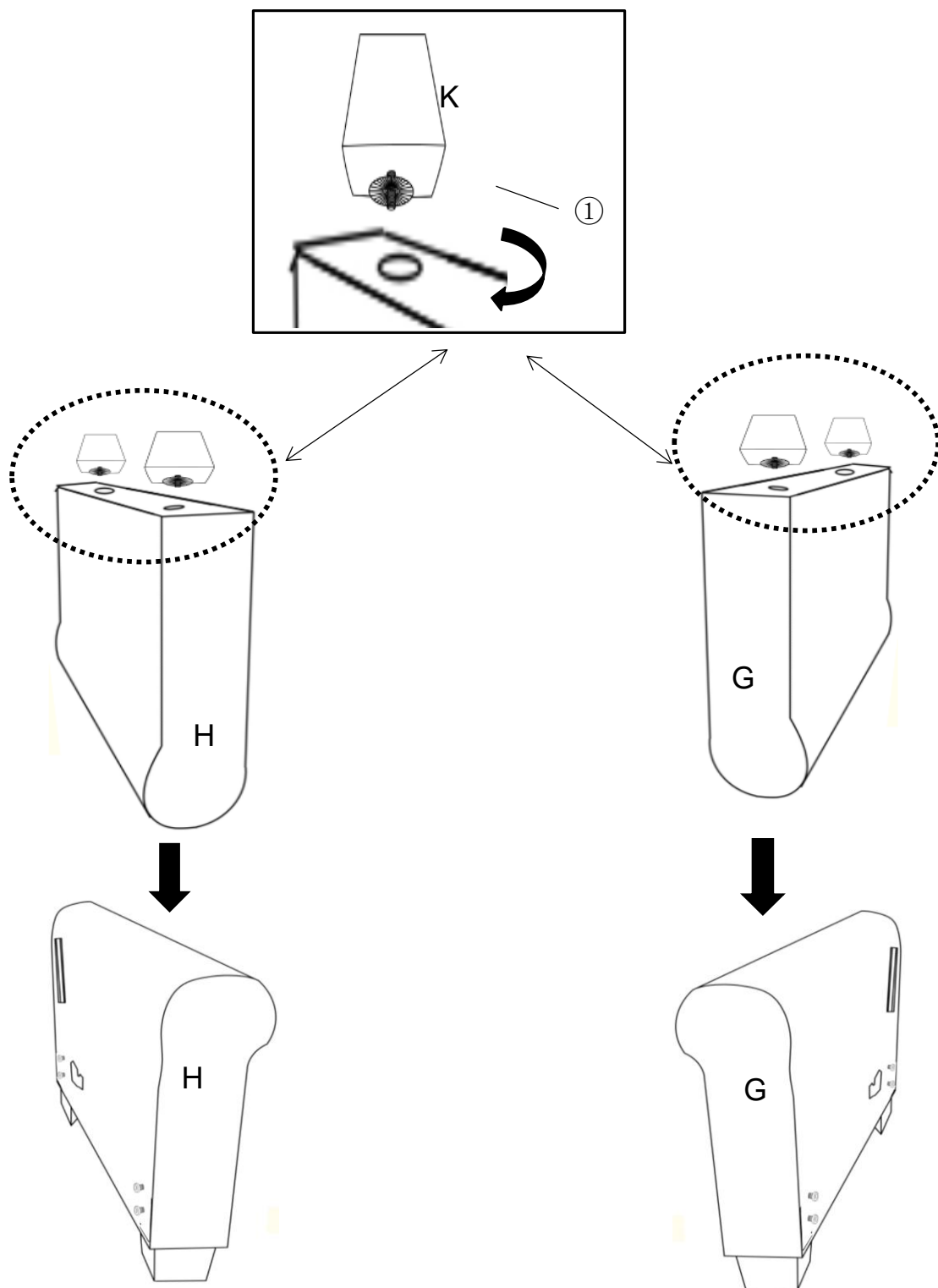


Small Bubble Package



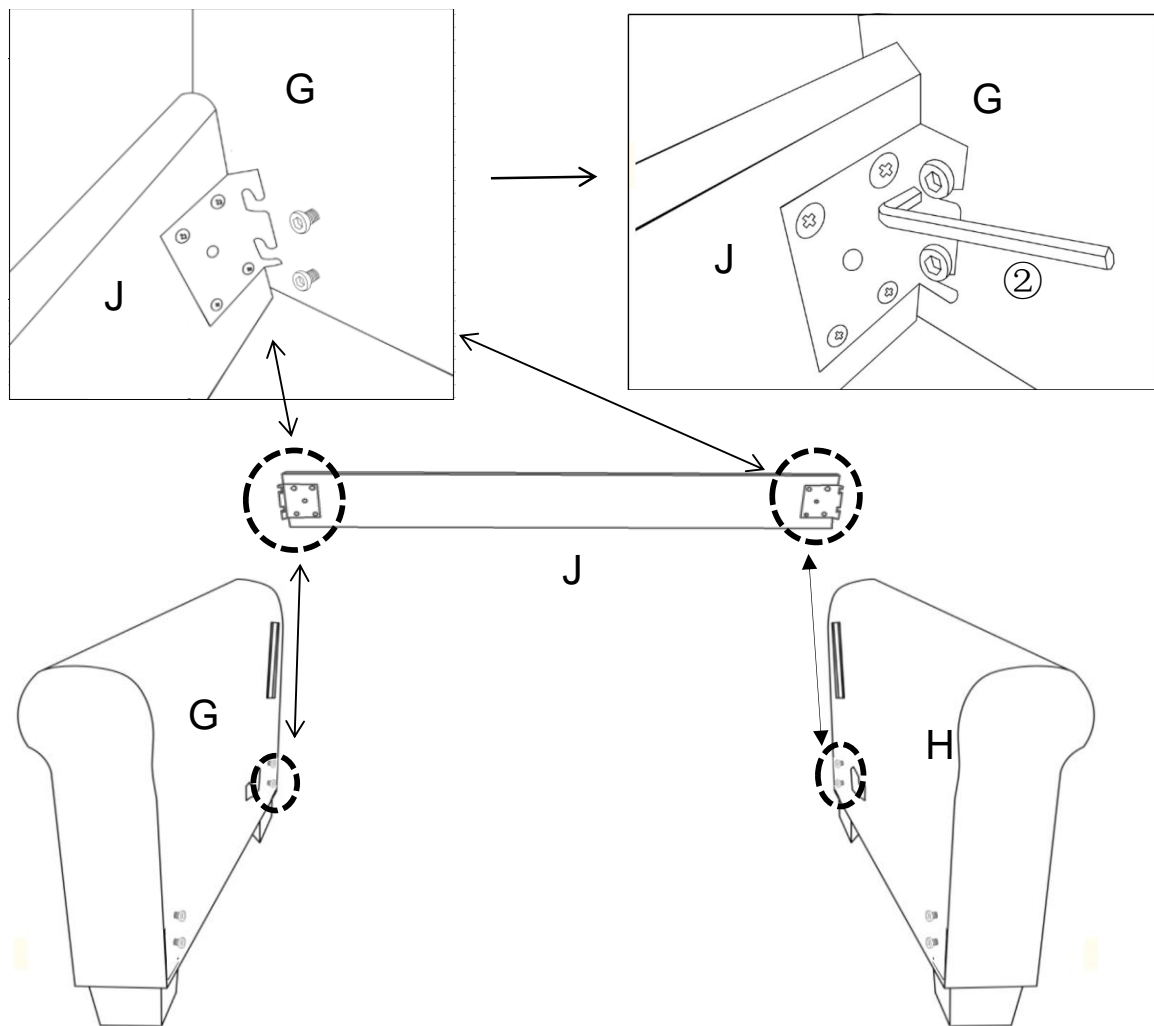
Open the Small Bubble Package to take out the Wood Legs(K), Middle Leg(L), Gaskets(①) and Allen Key(②).

### Step 3



Turn the Left Arm(G) and Right Arm(H) facedown as pictured.  
Install the Wood Legs(K) at the bottom of the Left Arm(G) and Right Arm(H).  
Insert threaded stem into the mounting positions at the bottom of Left Arm(G) and Right Arm(H). Tighten by turning the Leg clockwise.  
**Note: The use of Gaskets are OPTIONAL and are especially useful to help alleviate slight wobbles. Some Legs may need more than one gasket whilst some Legs may not need any.**

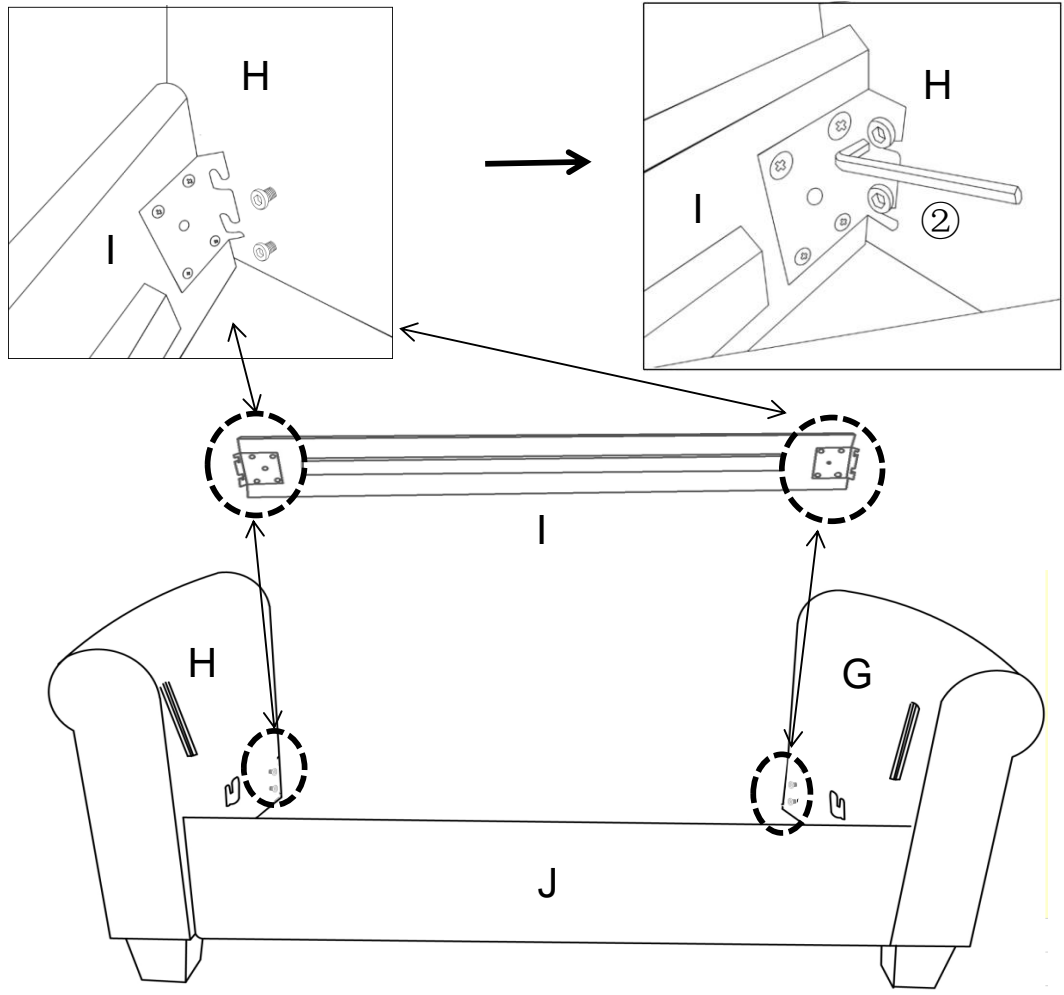
## Step 4



With assistance from your adult partner, position the Left Arm(G) and Right Arm(H) as pictured, align the Back Seat Board(J) between both Arms. Then place the hooks on the ends of the Back Seat Board(I) onto the two raised Bolts on the Left Arm(G) and Right Arm(H) and tighten with Allen Key(2).

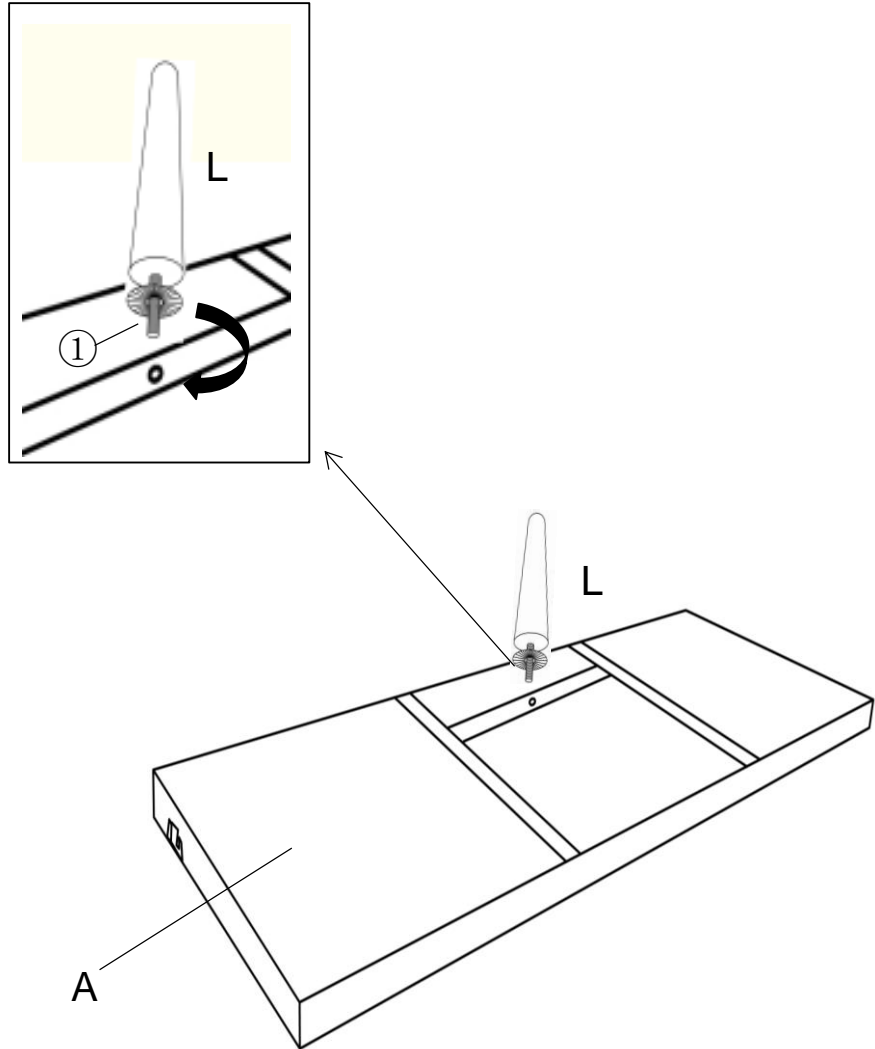
**Note: The Bolts on the arms shouldn't be removed but may need to be loosened to fit the hooks.**

**Step 4**



Repeat the same process from **Step 3**, to assemble the Front Seat Board(J).

## Step 5

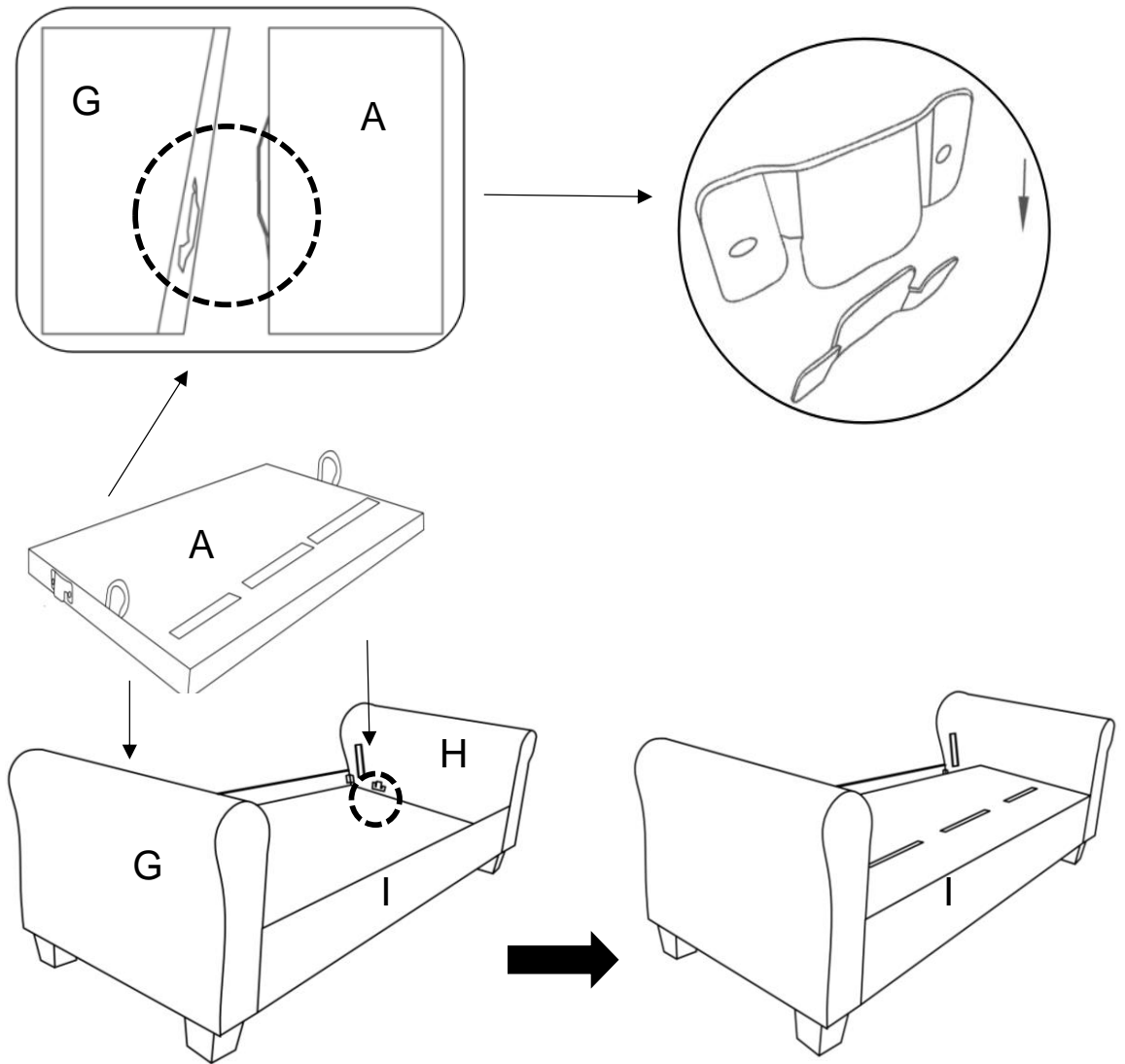


Install the Middle Leg(L) at the bottom of the Seat Base(A).

Insert threaded stem into the mounting position at the bottom of the Seat Base(A), tighten by turning the Leg clockwise.

**Note: The use of Gaskets are OPTIONAL and are especially useful to help alleviate slight wobbles. Some Legs may need more than one gasket whilst some Legs may not need any.**

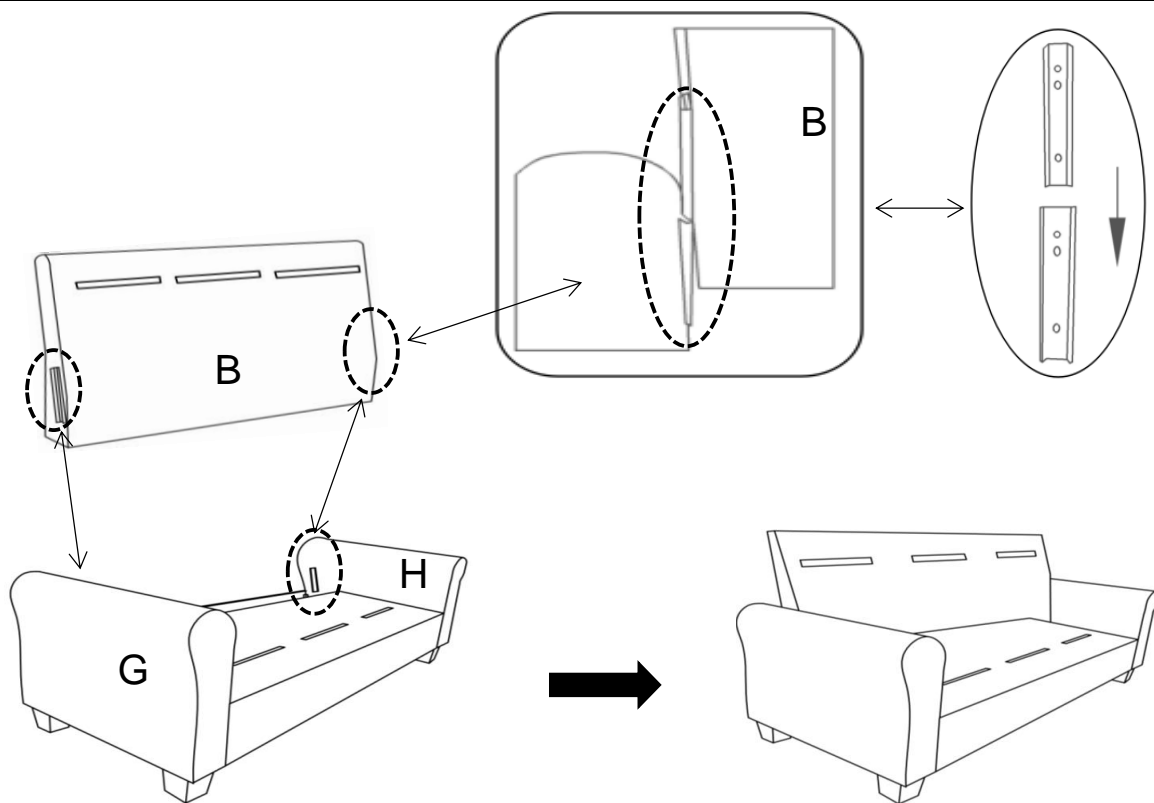
## Step 6



With assistance from your adult partner, hold up the Seat Base(A) and align it to the Sofa Base.

Intersect the Mounting Brackets on the Seat Base(A) with those on the Left Arm(G) and Right Arm(H), then push firmly down on the Seat Base(A) until it locks into position.

## Step 7

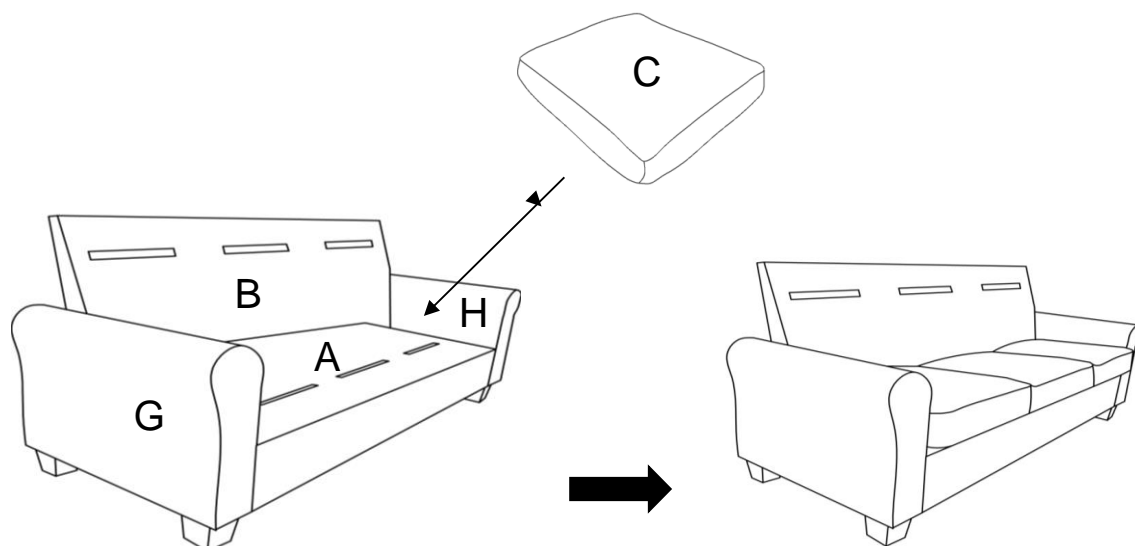


With assistance from your adult partner, hold up the Backrest(B), while standing behind the Sofa Base.

Align the mounting brackets on both sides of the Backrest(B) with those on the Left Arm(G) and Right Arm(H).

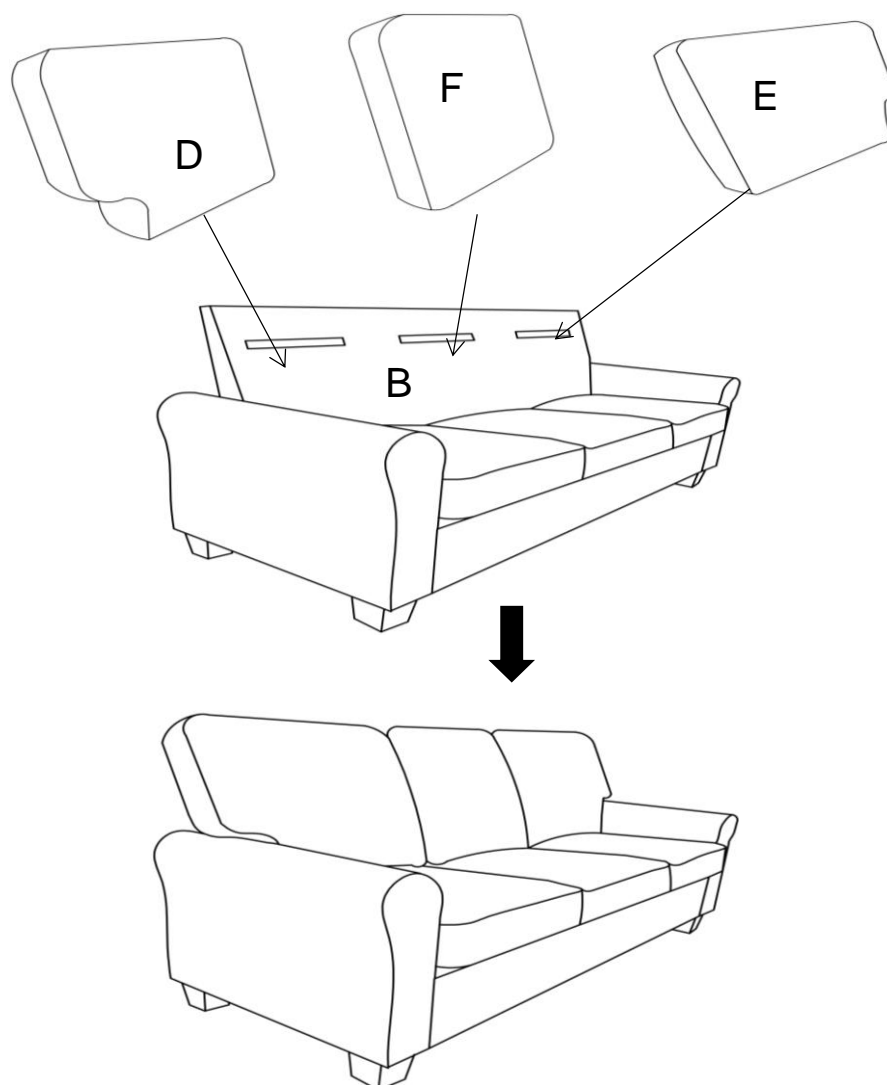
Then slide Backrest(B) downward to make sure it locks into place as pictured

## Step 8



Put the three Seat Cushions(C) on the Seat Base(A).

## Step 9













Place Left Back Cushion(D), Middle Back Cushion(E) and Right Back Cushion(F) on the Backrest(B).

Your Sofa is ready for use.

**This Sofa can only be used on a flat, level surface.**

## Care & Maintenance

-  Do not put hot items directly on furniture surface
  -  Do not clean furniture with harsh cleansers or polish.
  -  Do not place furniture under direct sunlight.
  -  Do not place furniture near heating or cooling vents.
  -  Do not write on furniture without a padded barrier to protect the surface.
  -  Do not place furniture outside . For indoor use only .
  -  Not for commercial use. For residential use only .
  -  Stains may be removed with mild soap solution and damp cloth.
  -  Children should not climb or jump on the furniture.
- 
-  Dust and pick-up spills using a clean, non-colored, lint-free cloth .

### Questions & Answers about Proposition 65

#### • What is Proposition 65?

Proposition 65 requires businesses to provide warnings to Californians about significant exposures to chemicals that cause cancer, birth defects or other reproductive harm. These chemicals can be in the products that Californians purchase, in their homes or workplaces, or that are released into the environment. By requiring that this information be provided, Proposition 65 enables Californians to make informed decisions about their exposures to these chemicals.

Proposition 65 also prohibits California businesses from knowingly discharging significant amounts of listed chemicals into sources of drinking water.

Proposition 65 requires California to publish a list of chemicals known to cause cancer, birth defects or other reproductive harm. This list, which must be updated at least once a year, has grown to include approximately 900 chemicals since it was first published in 1987.

#### • What types of chemicals are on the Proposition 65 list?

The list contains a wide range of naturally occurring and synthetic chemicals that include additives or ingredients in pesticides, common household products, food, drugs, dyes, or solvents. Listed chemicals may also be used in manufacturing and construction, or they may be byproducts of chemical processes, such as motor vehicle exhaust.

#### • What does a warning mean?

If a warning is placed on a product label or posted or distributed at a workplace, a business, or in rental housing, the business issuing the warning is aware or believes that it is exposing individuals to one or more listed chemicals.

By law, a warning must be given for listed chemicals unless the exposure is low enough to pose no significant risk of cancer or is significantly below levels observed to cause birth defects or other reproductive harm.

#### • Where can I get more information on Proposition 65?

If you have specific questions on the administration or implementation of Proposition 65, you can contact OEHHA's Proposition 65 program at [P65.Questions@oehha.ca.gov](mailto:P65.Questions@oehha.ca.gov), or by phone at (916) 445-6900.