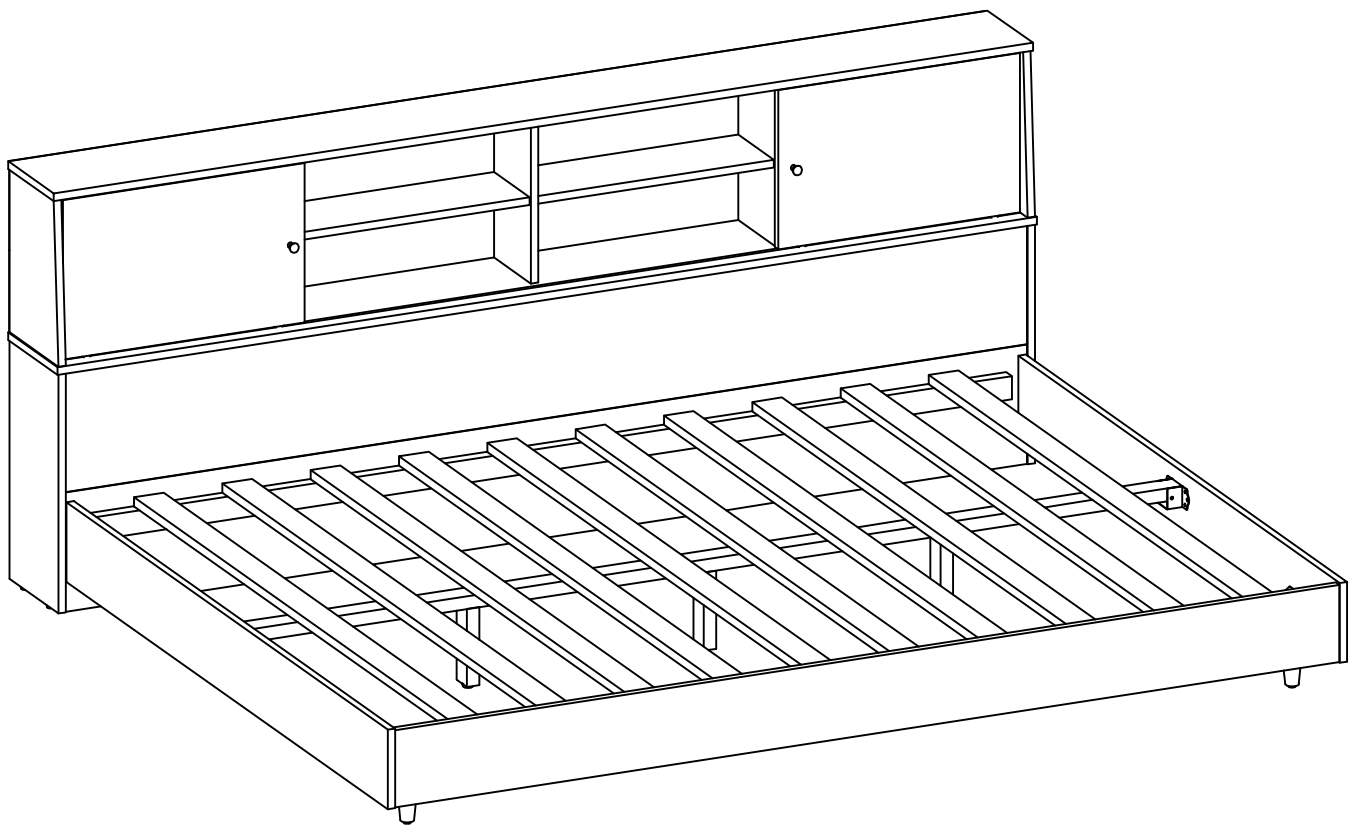
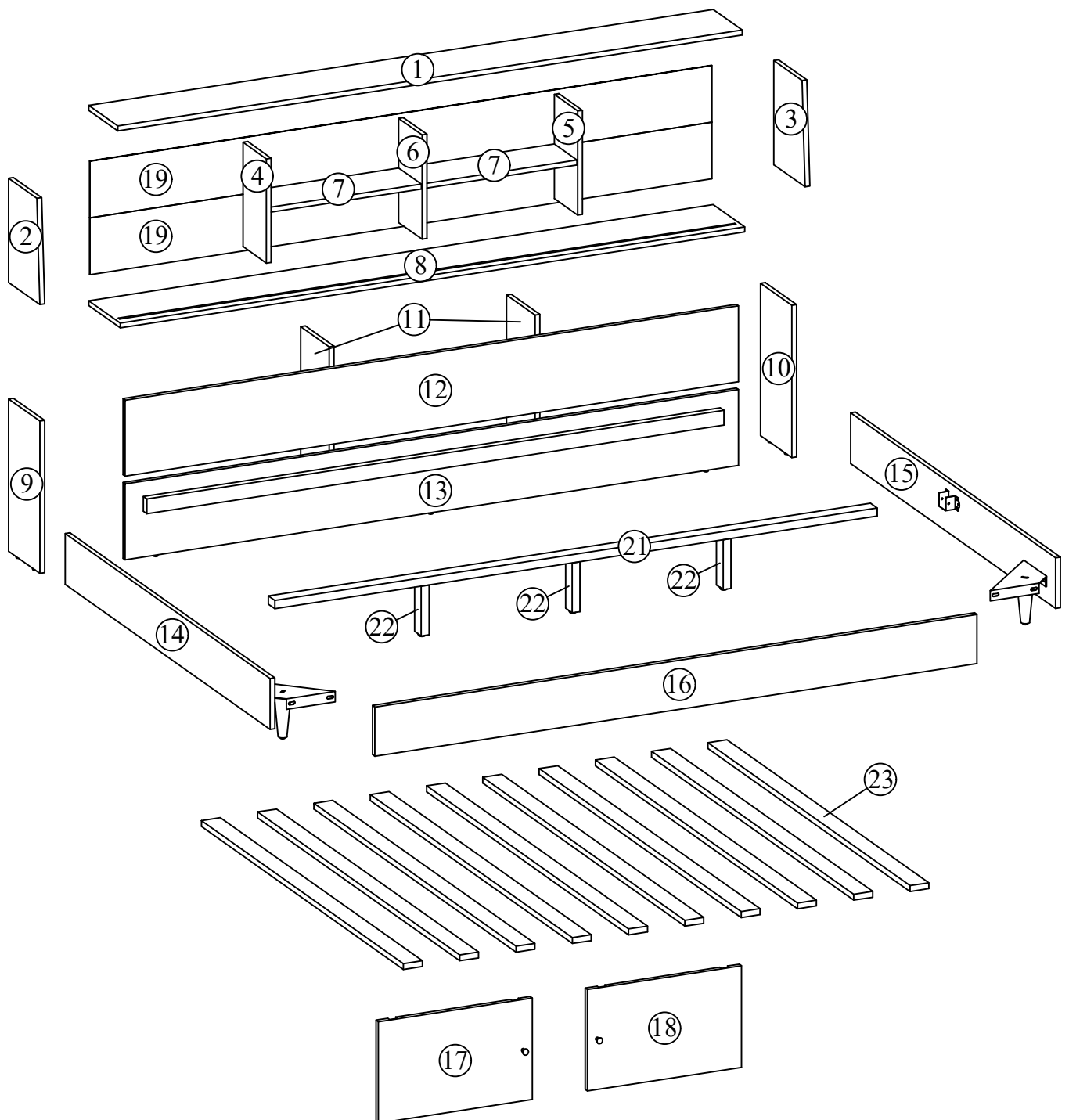


ASSEMBLY INSTRUCTIONS





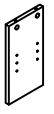
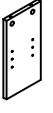

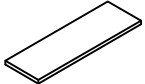



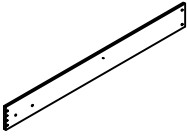
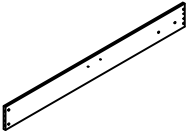
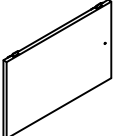
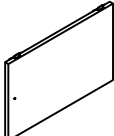
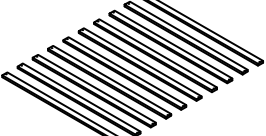
WF316727/WF316728

ASSEMBLY INSTRUCTIONS















WF316727/WF316728












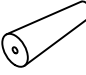
Part List - WF316727

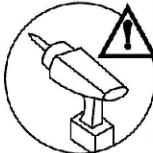
<p>2</p>  <p>Left Side Panel (Upper) = 1pc</p>	<p>3</p>  <p>Right Side Panel (Upper) = 1pc</p>	<p>4</p>  <p>Shelf Support Panel (Left) = 1pc</p>
<p>5</p>  <p>Shelf Support Panel (Right) = 1pc</p>	<p>6</p>  <p>Shelf Support Panel (Center) = 1pc</p>	<p>7</p>  <p>Shelf Panel = 2pcs</p>
<p>9</p>  <p>Left Side Panel (Lower) = 1pc</p>	<p>10</p>  <p>Right Side Panel (Lower) = 1pc</p>	<p>11</p>  <p>Back Support Panel = 2pcs</p>
<p>14</p>  <p>Bed Left Side Panel = 1pc</p>	<p>15</p>  <p>Bed Right Side Panel = 1pc</p>	<p>17</p>  <p>Left Door = 1pc</p>
<p>18</p>  <p>Right Door = 1pc</p>	<p>23</p>  <p>LVL Bed Slat = 10pcs</p>	

Hardware List - WF316727

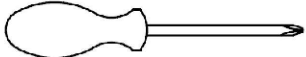
<p>A</p>  <p>Wood Dowel M6 x 25mm 20pcs</p>	<p>B</p>  <p>Cam Nut 15mm 41pcs</p>	<p>C</p>  <p>Cam Bolt 33pcs</p>	<p>D</p>  <p>PVC Nail 13pcs</p>	<p>E</p>  <p>Steel Nut M6 8pcs</p>	<p>F</p>  <p>JCBC Screw M6 x 50mm 8pcs</p>
<p>G</p>  <p>Wood Dowel M8 x 50mm 4pcs</p>	<p>H</p>  <p>Double End Bolt 7mm 4pcs</p>	<p>I</p>  <p>Triangle Plate 1.4 2pcs</p>	<p>J</p>  <p>JCN M6 x 12mm 8pcs</p>	<p>K</p>  <p>JCBC Screw M6 x 12mm 8pcs</p>	<p>L</p>  <p>JCBC Screw M6 x 25mm 2pcs</p>

Hardware List - WF316727

<p>M</p>  <p>Slat Bracket HC 021 2pcs</p>	<p>N</p>  <p>Glider M6 x 20mm 3pcs</p>	<p>O</p>  <p>CSK Screw M3.5 x 16mm 16pcs</p>	<p>P</p>  <p>CSK Screw M4 x 25mm 2pcs</p>	<p>Q</p>  <p>CSK Screw M4 x 38mm 20pcs</p>	<p>R</p>  <p>CSK Screw M4 x 45mm 6pcs</p>
<p>S</p>  <p>CSK Screw M4 x 65mm 6pcs</p>	<p>T</p>  <p>Handle VK-48 PVC 2pcs</p>	<p>U</p>  <p>Metal Shelf Support 8pcs</p>	<p>V</p>  <p>Nail 28pcs</p>	<p>W</p>  <p>Allen Key M6 2pcs</p>	<p>X</p>  <p>Rubber Wood Leg 50/25 x 135 + M6 Insert Nut 2pcs</p>

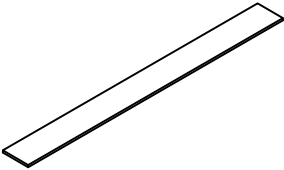
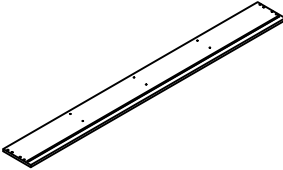
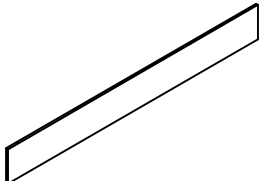
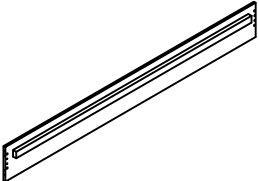
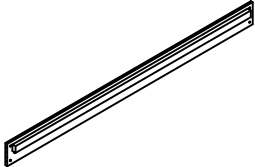
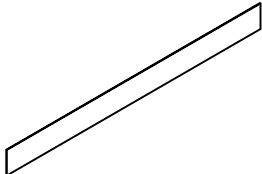
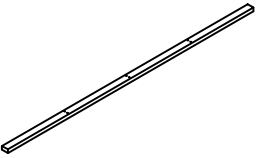



ASSEMBLY TOOLS REQUIRED (NOT INCLUDED)

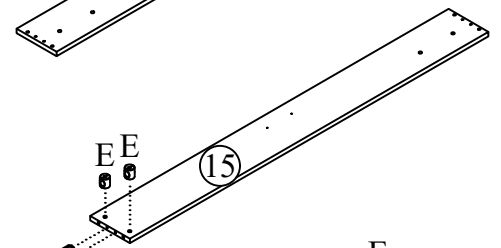
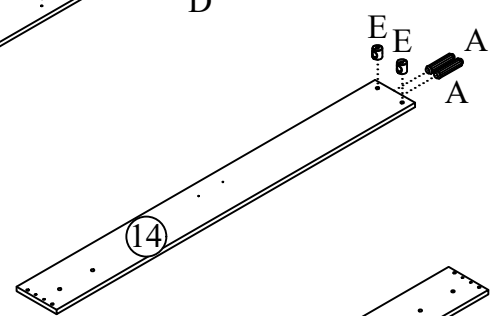
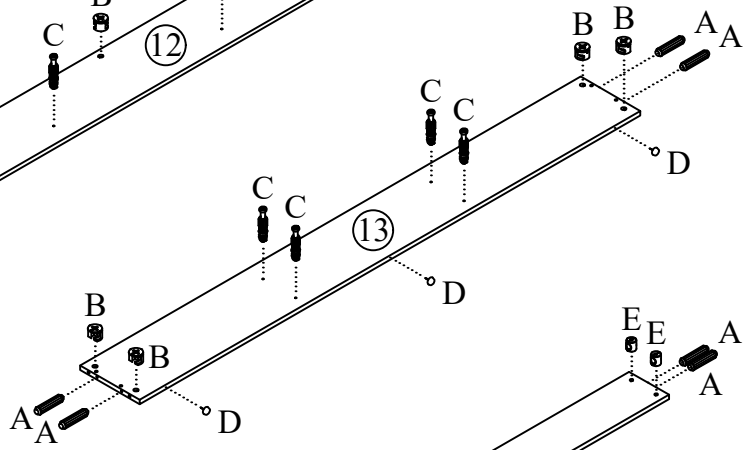
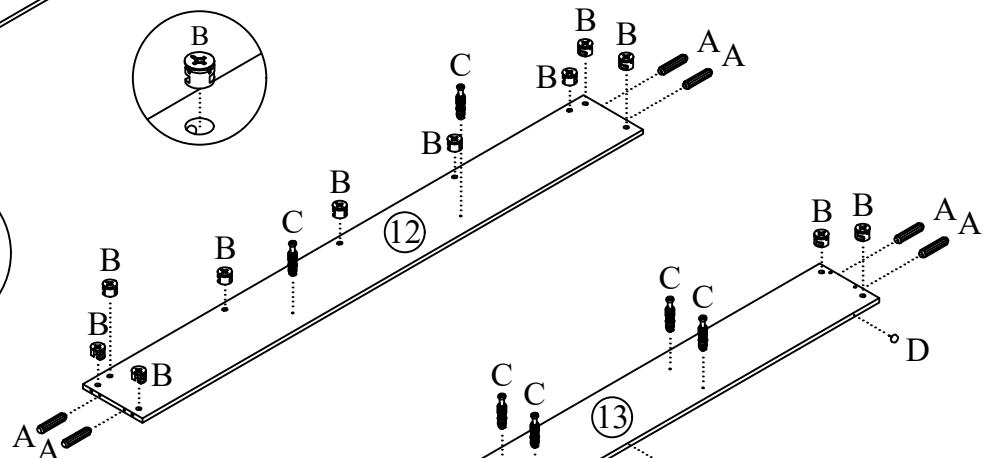
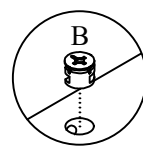
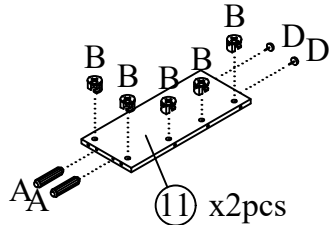
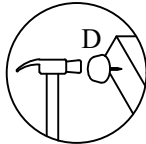
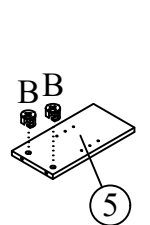
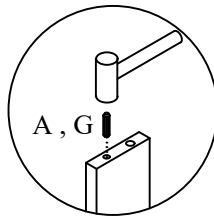
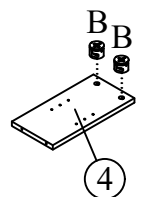
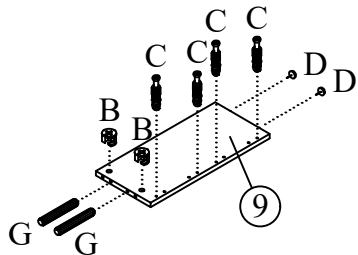
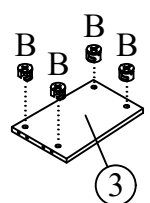
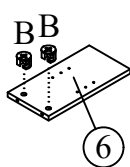
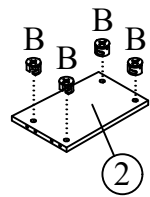
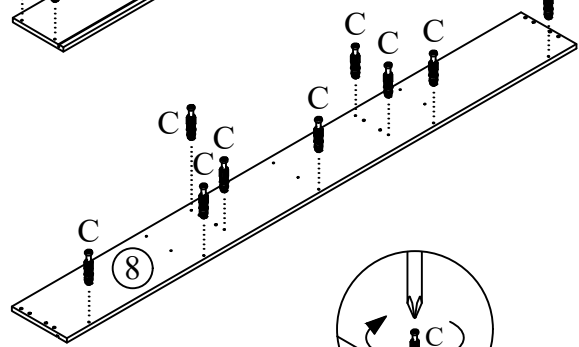
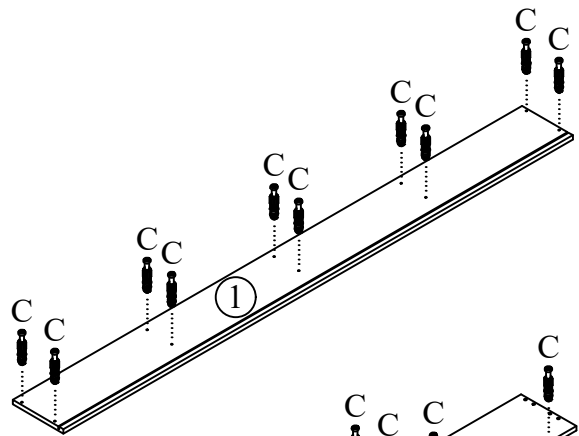








PLEASE BE CAREFULL DO NOT DAMAGE THE HOLE POSITION WHEN YOU USE POWER TOOLS !

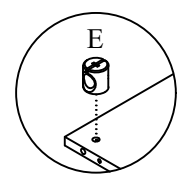
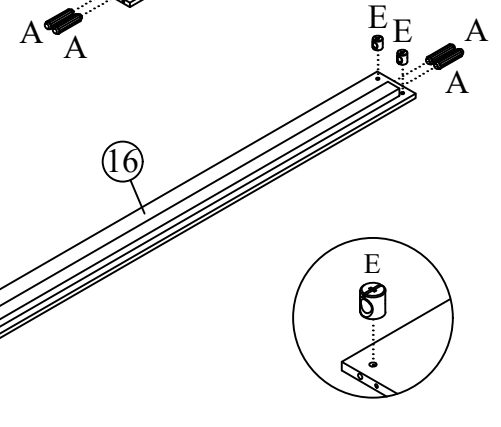
Part List - WF316728

<p>1</p>  <p>Shelf Top Panel = 1pc</p>	<p>8</p>  <p>Shelf Bottom Panel = 1pc</p>	<p>12</p>  <p>Bed Back Panel (Upper) = 1pc</p>
<p>13</p>  <p>Bed Back Panel (Lower) = 1pc</p>	<p>16</p>  <p>Bed Front Panel = 1pc</p>	<p>19</p>  <p>Back Panel = 2pcs</p>
<p>21</p>  <p>Center Support LVL = 1pc</p>	<p>22</p>  <p>Support Leg LVL = 3pcs</p>	

STEP 1



<p>A</p>  <p>Wood Dowel M6 x 25mm 20pcs</p>	<p>B</p>  <p>Cam Nut 15mm 41pcs</p>	<p>C</p>  <p>Cam Bolt 33pcs</p>
<p>D</p>  <p>PVC Nail 11pcs</p>	<p>E</p>  <p>Steel Nut M6 8pcs</p>	<p>G</p>  <p>Wood Dowel M8 x 50mm 4pcs</p>

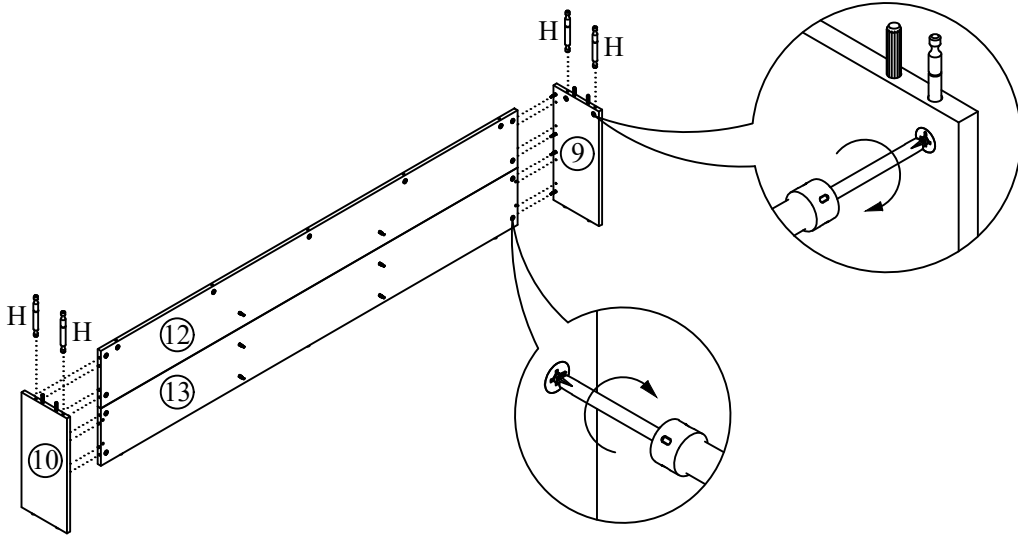


STEP 2

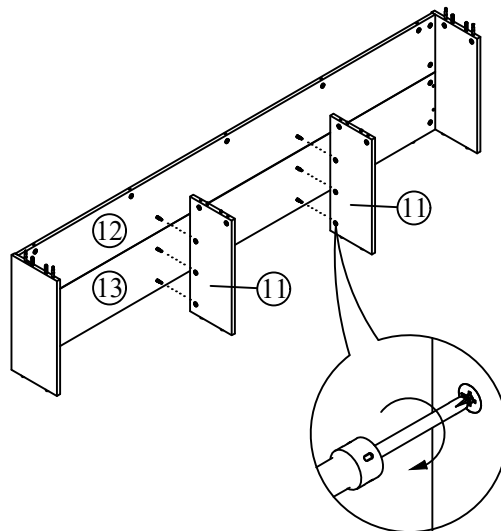
H



Double End
Bolt 7mm
4pcs



STEP 3

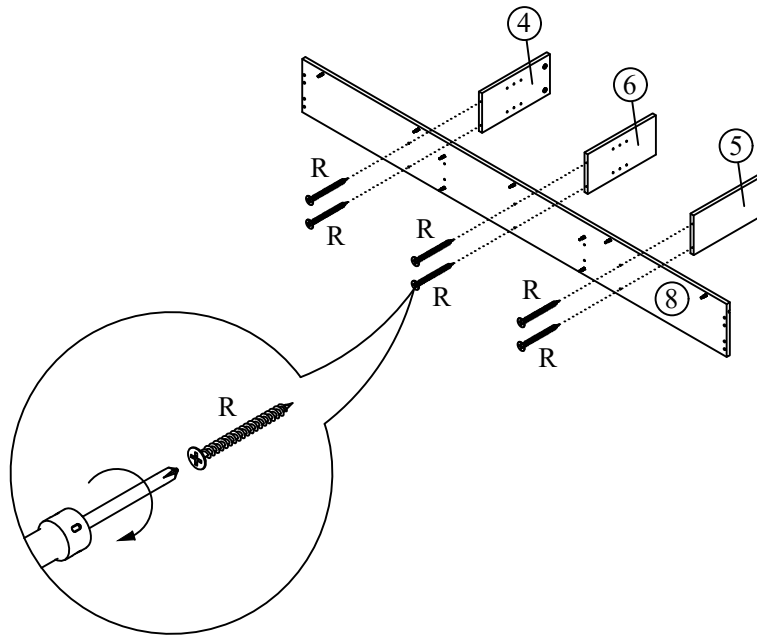


STEP 4

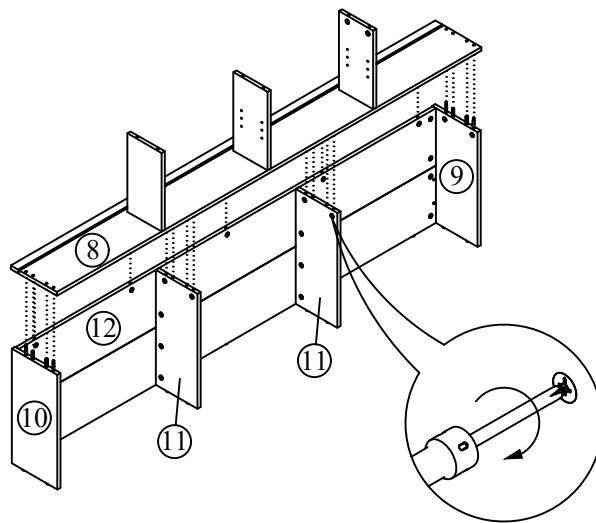
R



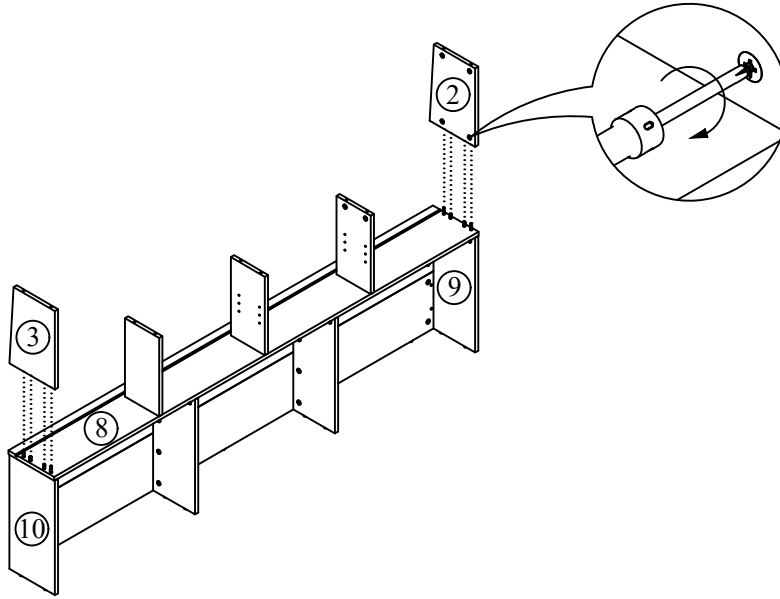
CSK Screw
M4 x 45mm
6pcs



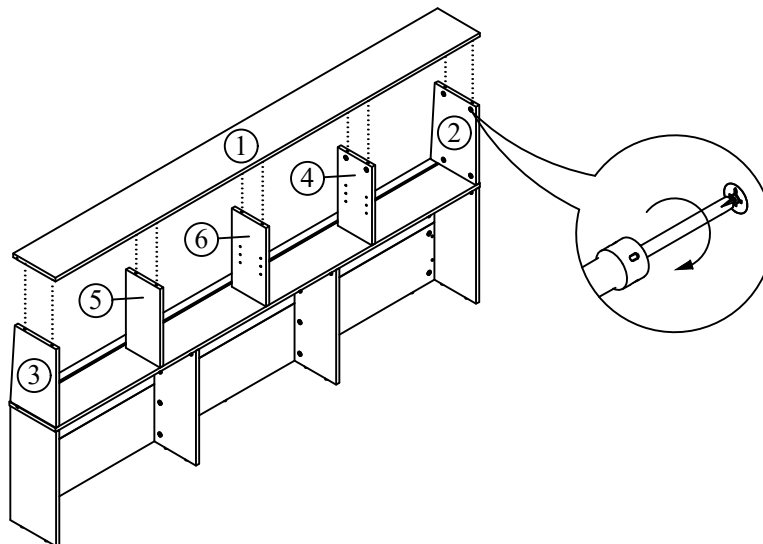
STEP 5




STEP 6

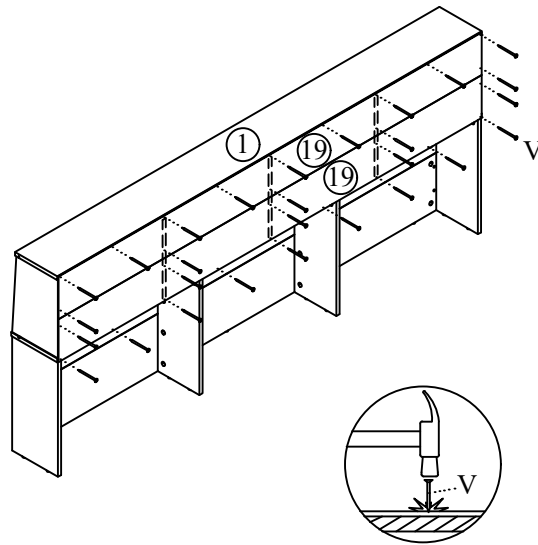


STEP 7


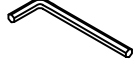


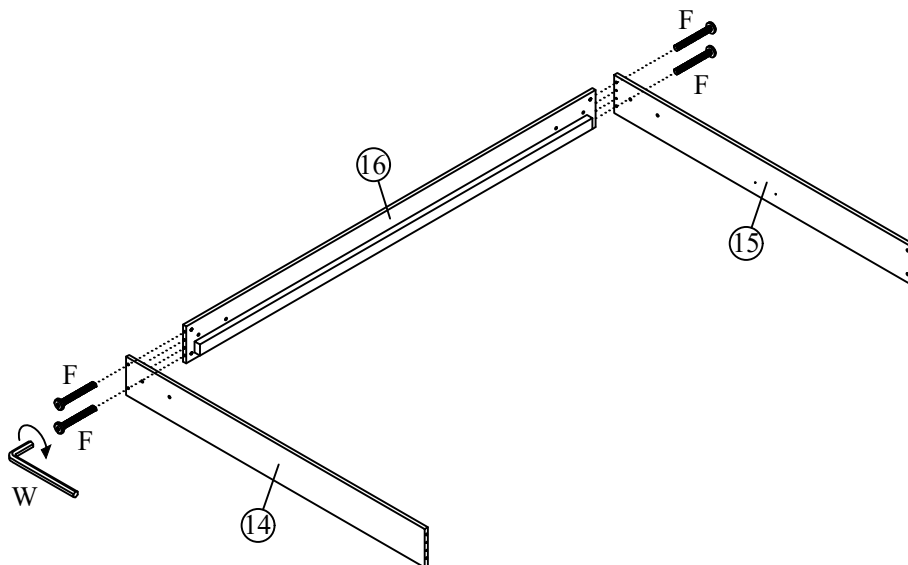
STEP 8

V

Nail
28pcs







STEP 9

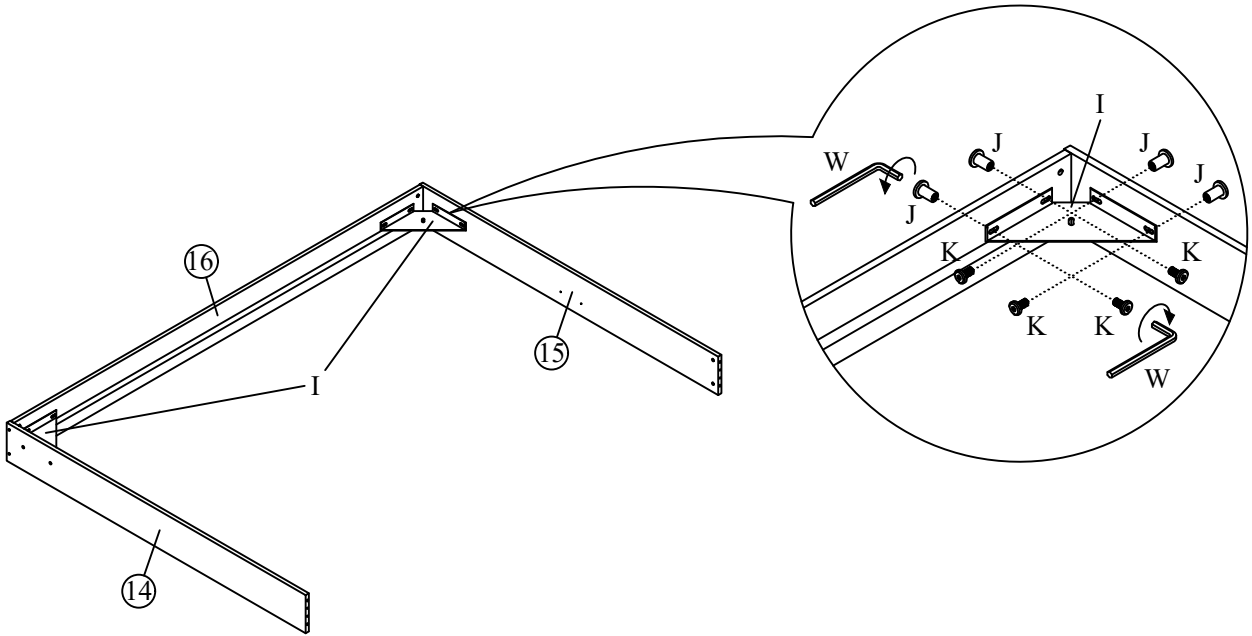
F		W	
	JCBC Screw M6 x 50mm 4pcs		Allen Key M6 1pc





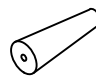
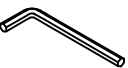
WF316727/WF316728

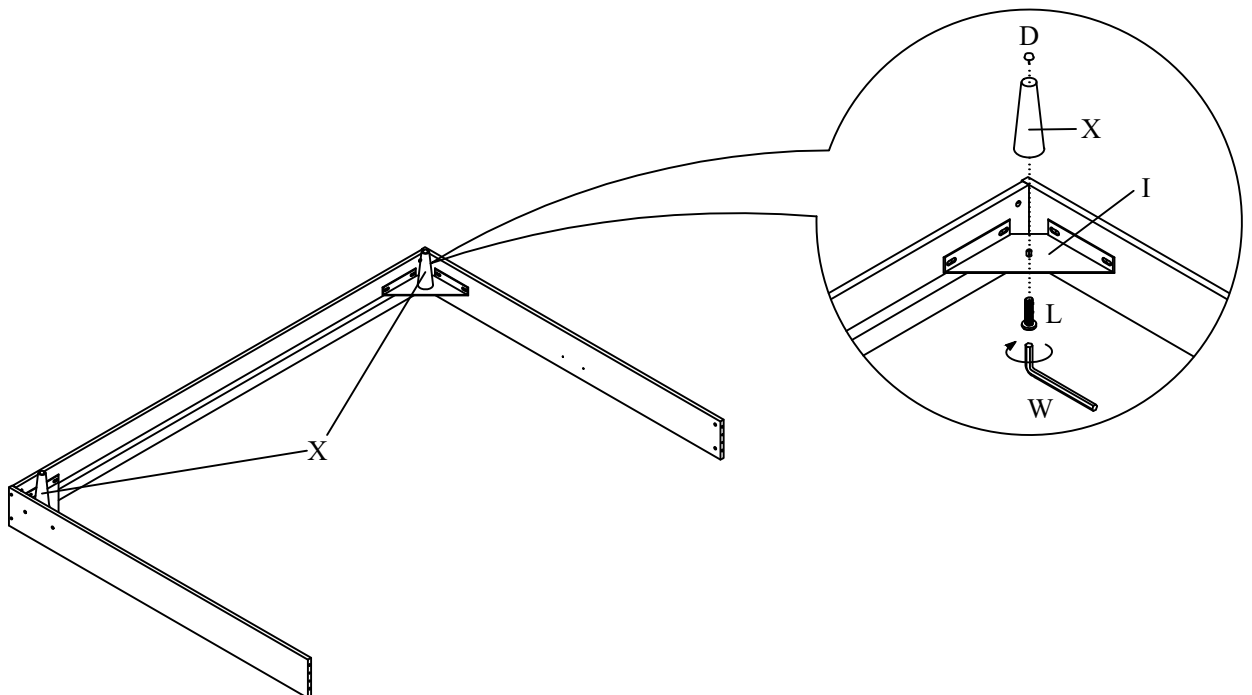
STEP 10

<p>I</p>  <p>Triangle Plate 1.4 2pcs</p>	<p>J</p>  <p>JCNC M6 x 12mm 8pcs</p>	<p>K</p>  <p>JCBC Screw M6 x 12mm 8pcs</p>	<p>W</p>  <p>Allen Key M6 2pcs</p>
--	--	--	--





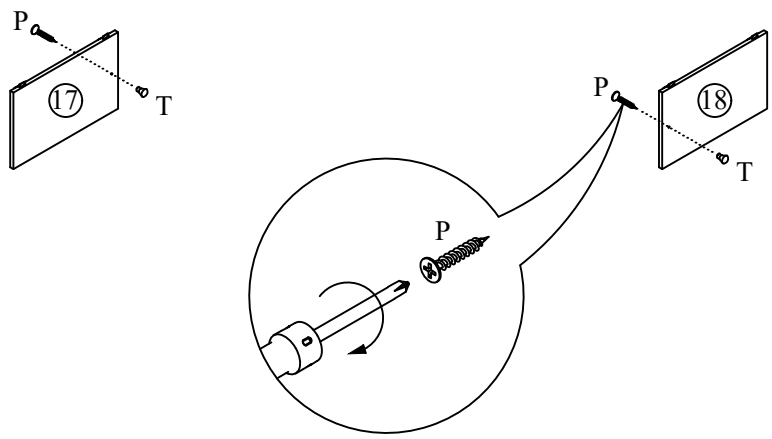
STEP 11

<p>D</p>  <p>PVC Nail 2pcs</p>	<p>L</p>  <p>JCBC Screw M6 x 25mm 2pcs</p>	<p>X</p>  <p>Rubber Wood Leg 50/25 x 135 + M6 Insert Nut 2pcs</p>	<p>W</p>  <p>Allen Key M6 1pc</p>
--	--	---	---




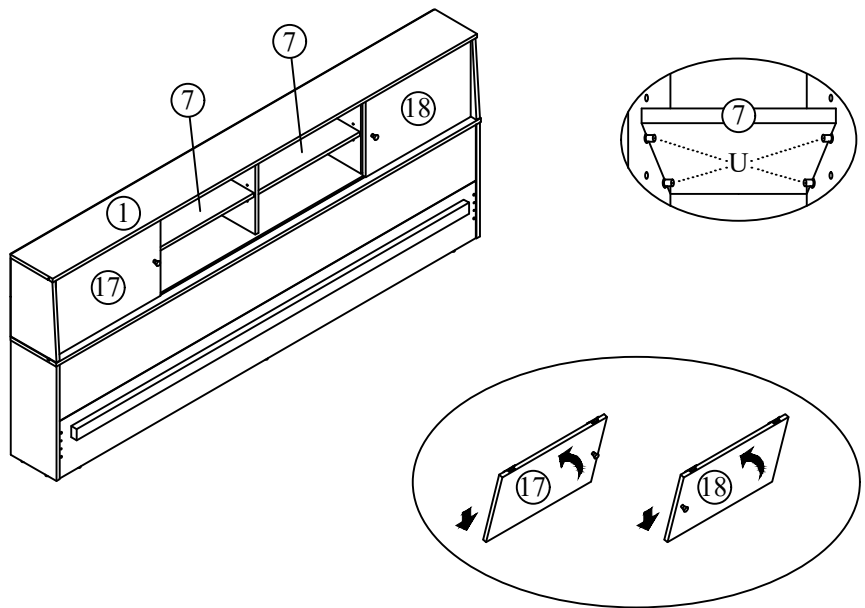
STEP 12

<p>P</p>  <p>CSK Screw M4 x 25mm 2pcs</p>	<p>T</p>  <p>Handle VK-48 PVC 2pcs</p>
---	--





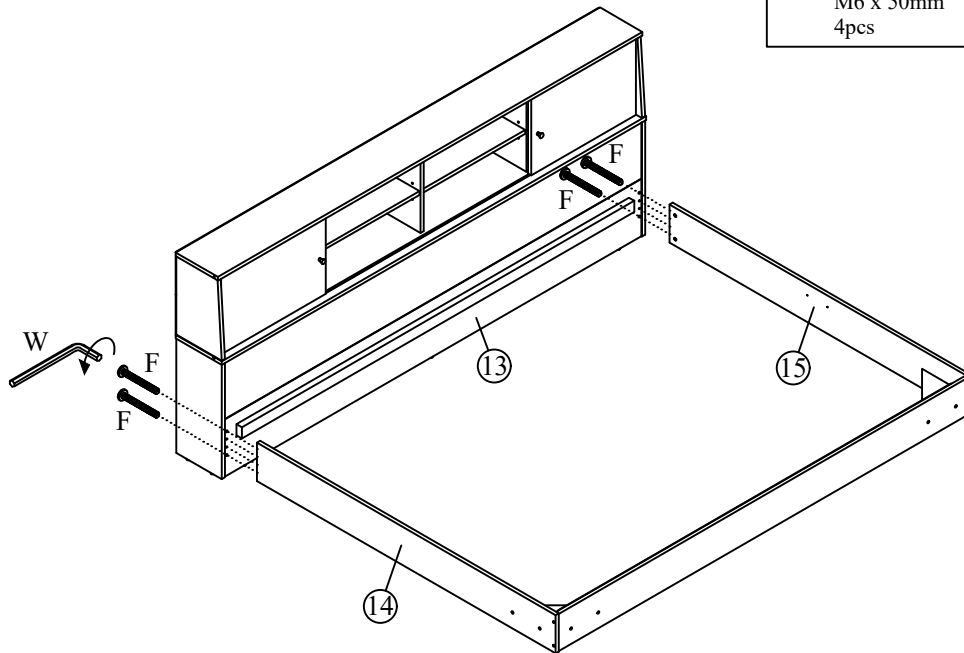
STEP 13

<p>U</p>  <p>Metal Shelf Support 8pcs</p>



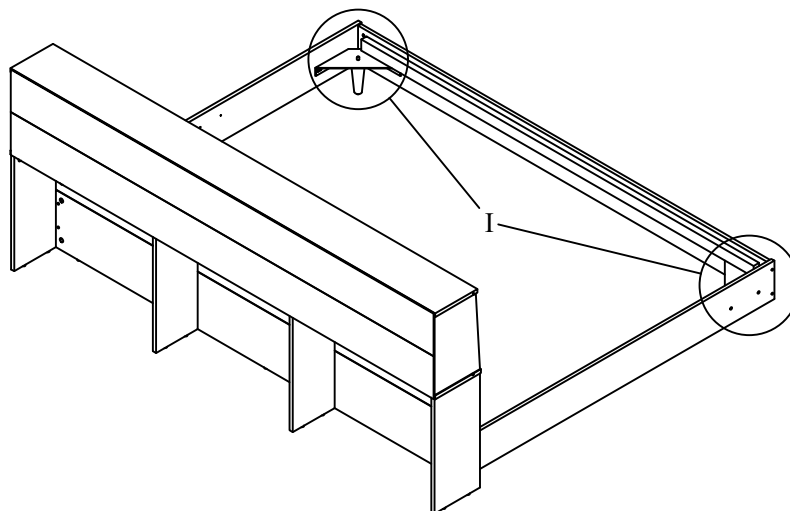
STEP 14

F		W	
	JCBC Screw M6 x 50mm 4pcs		Allen Key M6 1pc





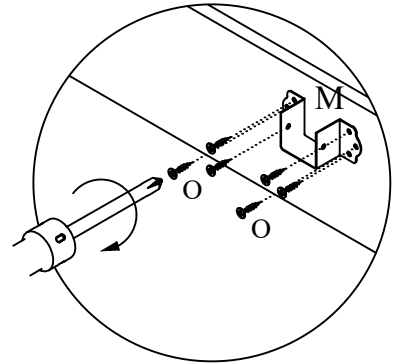
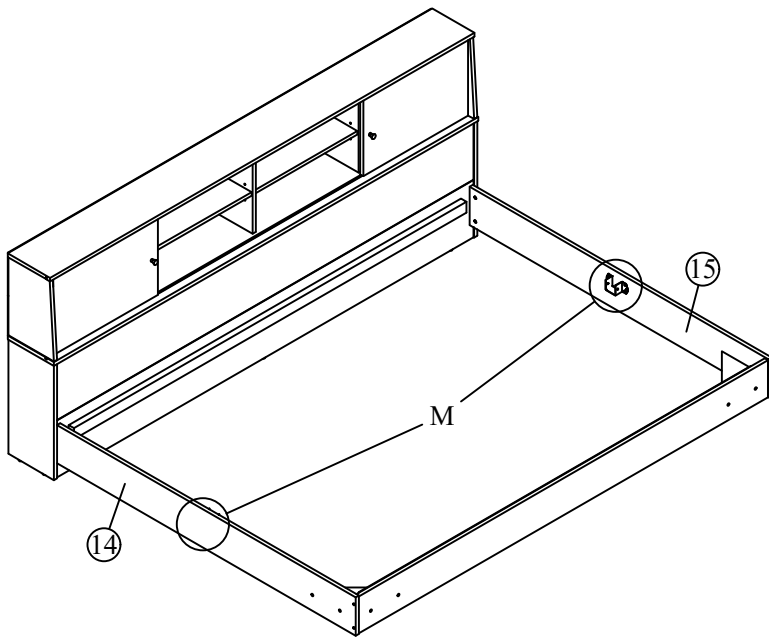
STEP 15

Adjust Hardware I up or down to make sure the height of 4 sides is balance.





STEP 16

<p>M</p>  <p>Slat Bracket HC 021 2pcs</p>	<p>O</p>  <p>CSK Screw M3.5 x 16mm 12pcs</p>
---	--



STEP 17

<p>N</p>  <p>Glider M6 x 20mm 3pcs</p>	<p>S</p>  <p>CSK Screw M4 x 65mm 6pcs</p>
--	---

