

# AT-LP70X

**Quick Start Guide**  
Automatic Belt-Drive Turntable

**Guide de démarrage rapide**  
Automaattinen hinnakäyttöinen levysoitin

**Kurzanleitung**  
Automatischer riemenbetriebener Plattenspieler

**Guida rapida**  
Giradischi automatico a trasmissione cinghia

**Guía de inicio rápido**  
Giradiscos automático de transmisión por correa

**Guia de início rápido**  
Toca-discos automático acionado por correa

**Краткое руководство по установке**  
Автоматический проигрыватель с ремennым приводом

**快速启动指南**  
自动皮带传动唱盘机

**快速入門指南**  
全自動皮帶式驅動黑膠唱盤機

**간편 사용 설명서**  
오토매틱 벨트 드라이브 턴테이블

Audio-Technica Corporation  
2-46-1 Nishi-naruse, Machida, Tokyo 194-8666, Japan  
www.audio-technica.com  
©2024 Audio-Technica Corporation  
Global Support Contact: www.at-globalsupport.com

351709390-01-01

ver.1 2024.02.01

## User Manual (Online Manual)

<https://www.audio-technica.co.jp/document/AT-LP70X/Default.html>



### Support

For more information on how to use this product and troubleshoot any problems, refer to the user manual on the Audio-Technica website.

### Support

Pour plus d'informations sur l'utilisation de ce produit et la résolution des problèmes, reportez-vous au manuel de l'utilisateur sur le site Web d'Audio-Technica.

### Unterstützung

Weitere Informationen zum Gebrauch dieses Produkts und zur Behebung eventueller Probleme entnehmen Sie bitte der Bedienungsanleitung auf der Website von Audio-Technica.

### Assistenza

Per maggiori informazioni sull'utilizzo del presente prodotto e per la risoluzione di eventuali problemi, fare riferimento al manuale dell'utente sul sito Audio-Technica.

### Asistencia

Para más información sobre el uso de este producto y la resolución de problemas, consulte el manual de usuario en el sitio web de Audio-Technica.

### Suporte

Para obter mais informações sobre como usar este produto e solucionar qualquer problema, consulte o manual do usuário no site da Audio-Technica.

### Техническая поддержка

Для получения дополнительной информации о том, как использовать этот продукт и устранять любые неисправности, обратитесь к руководству пользователя на веб-сайте Audio-Technica.

### 支持信息

关于如何使用本产品及解决各种问题的详细信息, 请参阅“铁三角”网站上的用户手册。

### 支援資訊

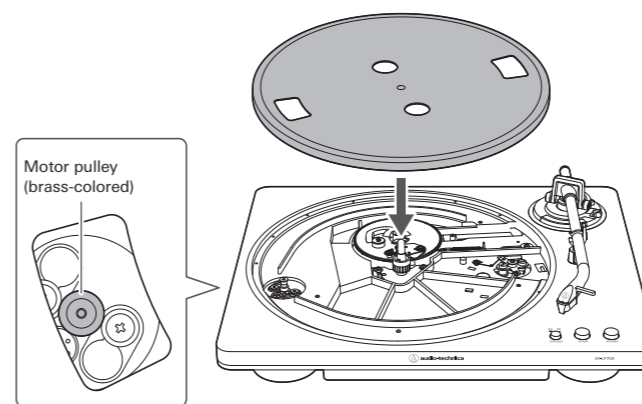
有關本產品的使用方法以及各種問題的故障排除方法, 請參閱「鐵三角」網站上的使用說明書。

### 지원

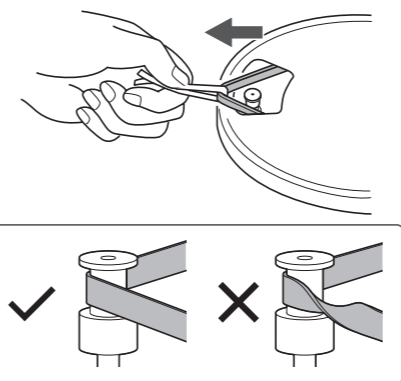
본 제품의 사용법 및 문제 해결에 관한 자세한 사항은 Audio-Technica 웹사이트의 사용자 설명서를 참조하십시오.

## Preparation

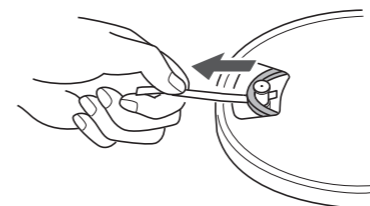
### 1 Set the platter.



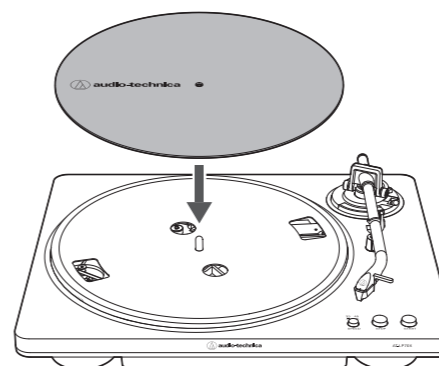
### 2 Attach the drive belt to the motor pulley (brass-colored).



### 3 Remove the red ribbon from the drive belt.



### 4 Set the felt mat.

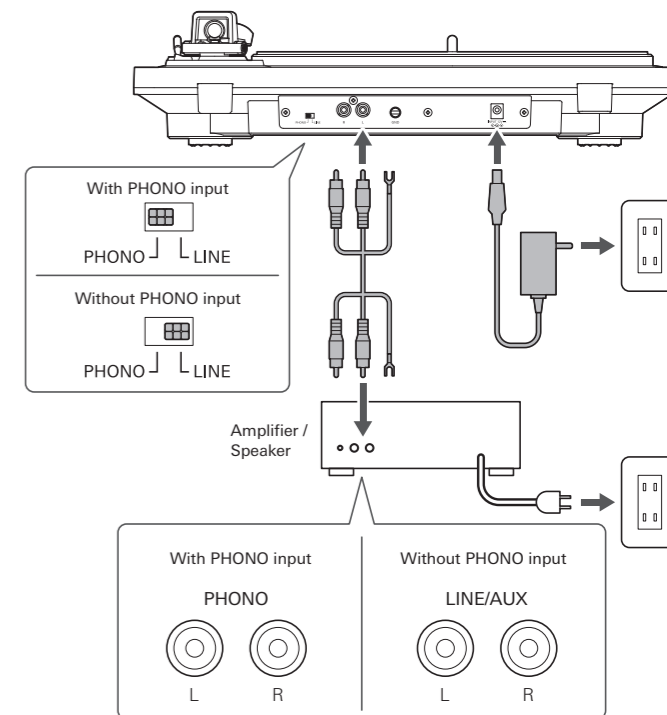


### 5 Mount the product on a level surface.

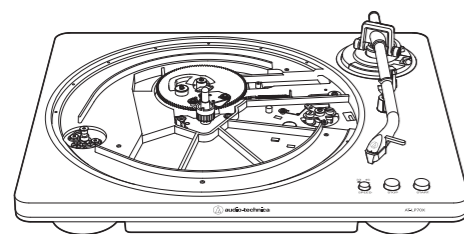


## Connection

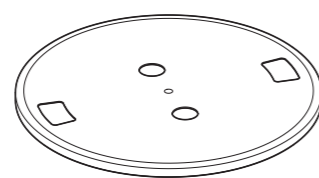
This product has a built-in phono equalizer function. You can use the product, even if you do not have a phono amplifier or connectable equipment with a built-in phono amplifier, by connecting an active speaker, etc. Use the pre-amplifier selector switch to set the output.



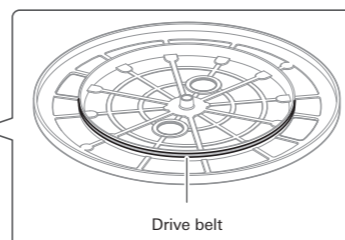
## Contents



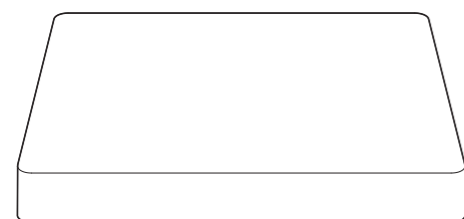
Turntable body



Platter (with drive belt)



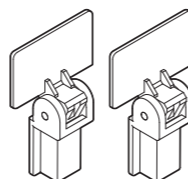
Drive belt



Dust cover



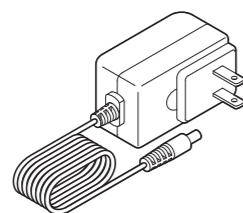
Felt mat



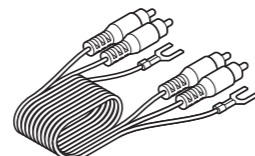
Dust cover hinges



45 RPM adapter



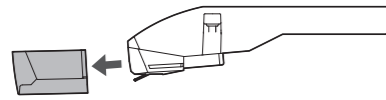
AC adapter



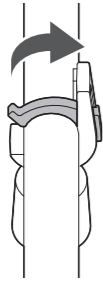
RCA audio cable

## Play

1 Remove the cartridge's protector.

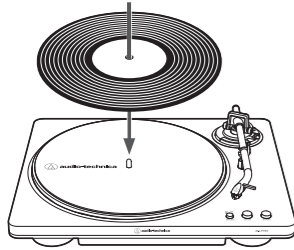


2 Remove the clamp of the tonearm rest.

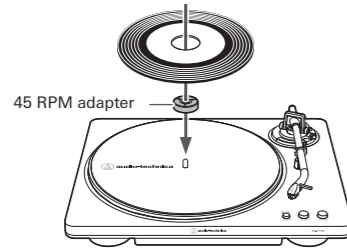


3 Place a record on the felt mat.

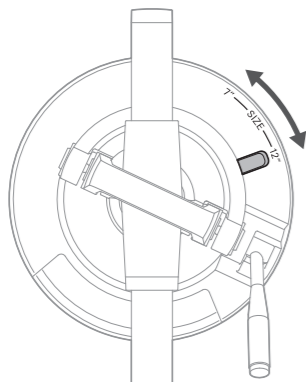
At 33-1/3 RPM



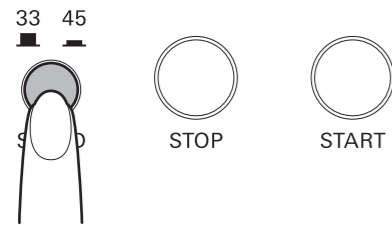
At 45 RPM



4 Select the record size.

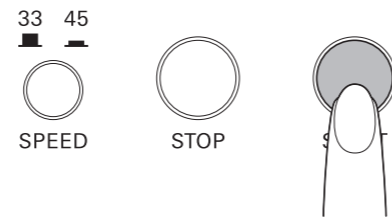


5 Select the speed with the SPEED button.



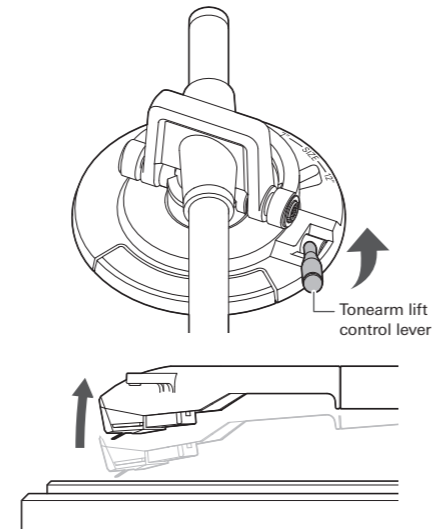
## Auto

1 Press the START button.

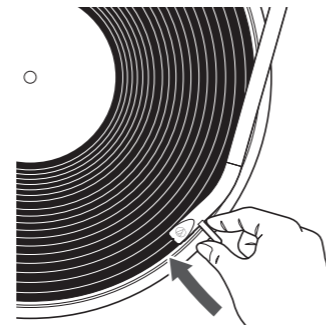


## Manual

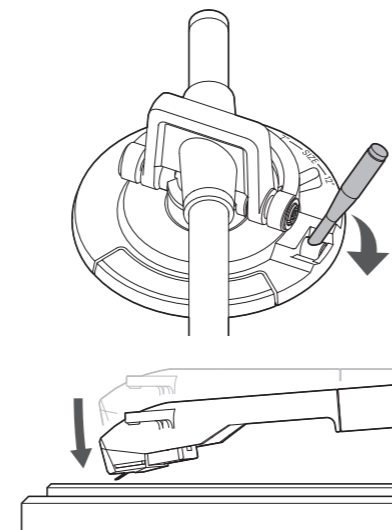
1 Raise the tonearm by lifting the tonearm lift control lever to the UP position.



2 Position the tonearm over the desired location (groove) on the record.

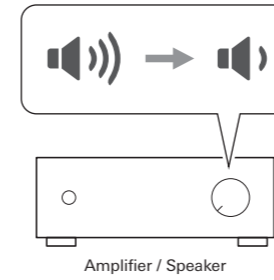


3 Lower the tonearm by moving the tonearm lift control lever to the DOWN position.

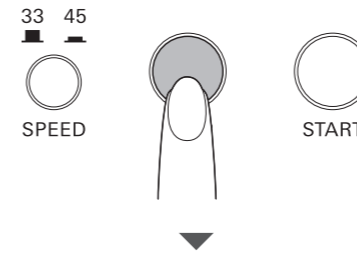


## Stop

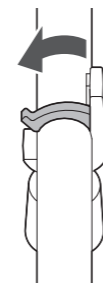
1 Lower the volume of the connected device (amplifier, etc.).



2 Press the STOP button.

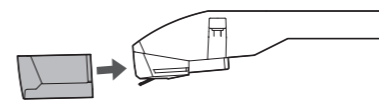


3 Attach the clamp of the tonearm rest.



! Make sure the tonearm lift control lever is lowered before attaching the clamp.

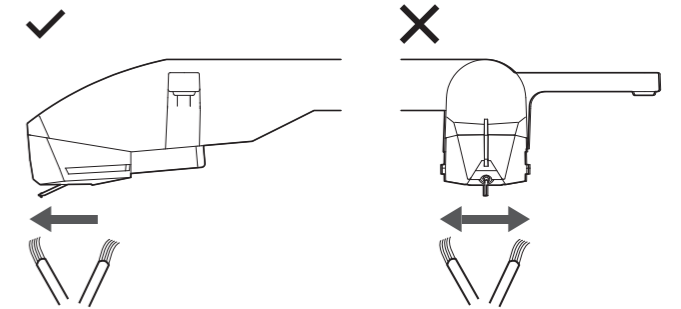
4 Attach the cartridge's protector.



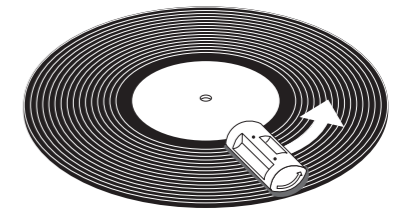
## Cleaning

After unplugging the AC adapter from the outlet, clean the turntable as necessary. For details about turntable and cartridge care accessories, visit <https://www.audio-technica.com>.

## Stylus



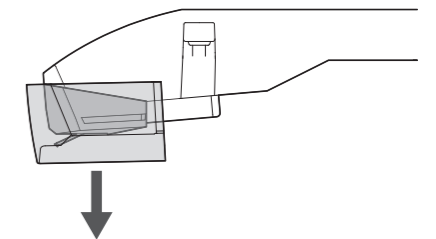
## Record



## Replacing the stylus

### Removing the stylus

1 With the protector attached, pull the replacement stylus in the direction of the arrow to remove it.



### Installing a new replacement stylus

2 Align the position of the replacement stylus's protrusion and push it into place in the direction of the arrow.

