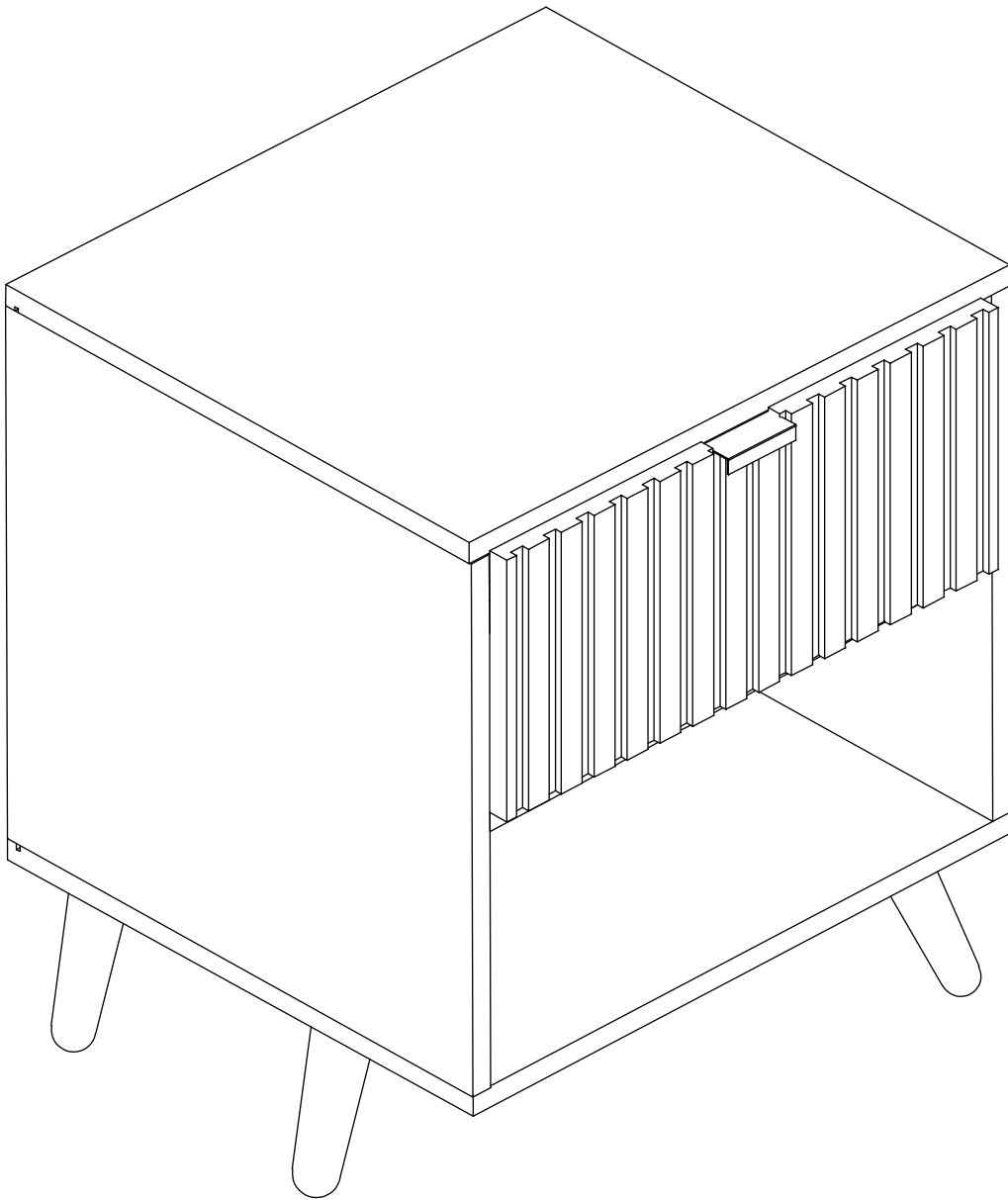


# OWNER'S MANUAL

---



# Contact Us

If you have any questions,  
Please contact customer service.

**Email: [service@cozfurn.com](mailto:service@cozfurn.com)**

Scan the QR code to watch the installation video.



# SAFETY PRECAUTIONS

---

## Before You Start

- ★ Please take the time to carefully read through the whole of these instructions before you commence.
  - ★ Unpack, inspect and check off all of the contents. If there are any defective or missing parts after unpacking, please cease assembly and get in contact with us immediately.
  - ★ Separate and count all your parts and hardware.
  - ★ Have the following tools: Flat Head Screwdriver, #2 Phillips Head Screwdriver and Hammer
- 

## **WARNING**

- ★ Do not stand or sit on the product.
  - ★ Children and pets should be kept from your assembly area if possible. Supervise children and pets if they are in the assembly area.
  - ★ Never touch with sharp objects or corrosive chemicals, which may damage the surface of the item.
  - ★ Do not expose product to direct sunlight or rain; and do not put it in a humid place.
- 

## **CAUTION**

- ★ This item is heavy. Please handle with care. Two or more people are required for this assembly.
- ★ It would be sensible to lay a sheet or blanket on the floor where you intend to work to avoid scratching this product and to protect your floor.
- ★ Assemble the product as close to its intended final position in the room as possible.
- ★ There may be some odour after unpacking the parcel, please put this item in a ventilated place for a few days and the odour will dissipate.
- ★ If using a power drill or power screwdriver for screwing, please be aware of to slow down and stop when screw is tight.
- ★ Failure to do so may result in stripping the screw.

# PRODUCT WARRANTY INSTRUCTION

---



## Free Warranty Period:

The free warranty period starts from the product receipt date and lasts one year.



## Coverage during the Free Warranty Period:

1. If any components of the purchased product are damaged due to non-human-induced reasons natural wear and tear excluded corresponding new parts will be replaced free of charge.

2. If the entire purchased product is damaged due to non-human-induced reasons natural wear and tear excluded and cannot be further used, corresponding parts or a brand-new product will be replaced free of charge.



## Coverage after the Free Warranty Period:

After the warranty period expires, replacement components will be provided to customers at cost price for continued service.



## Additional Services:

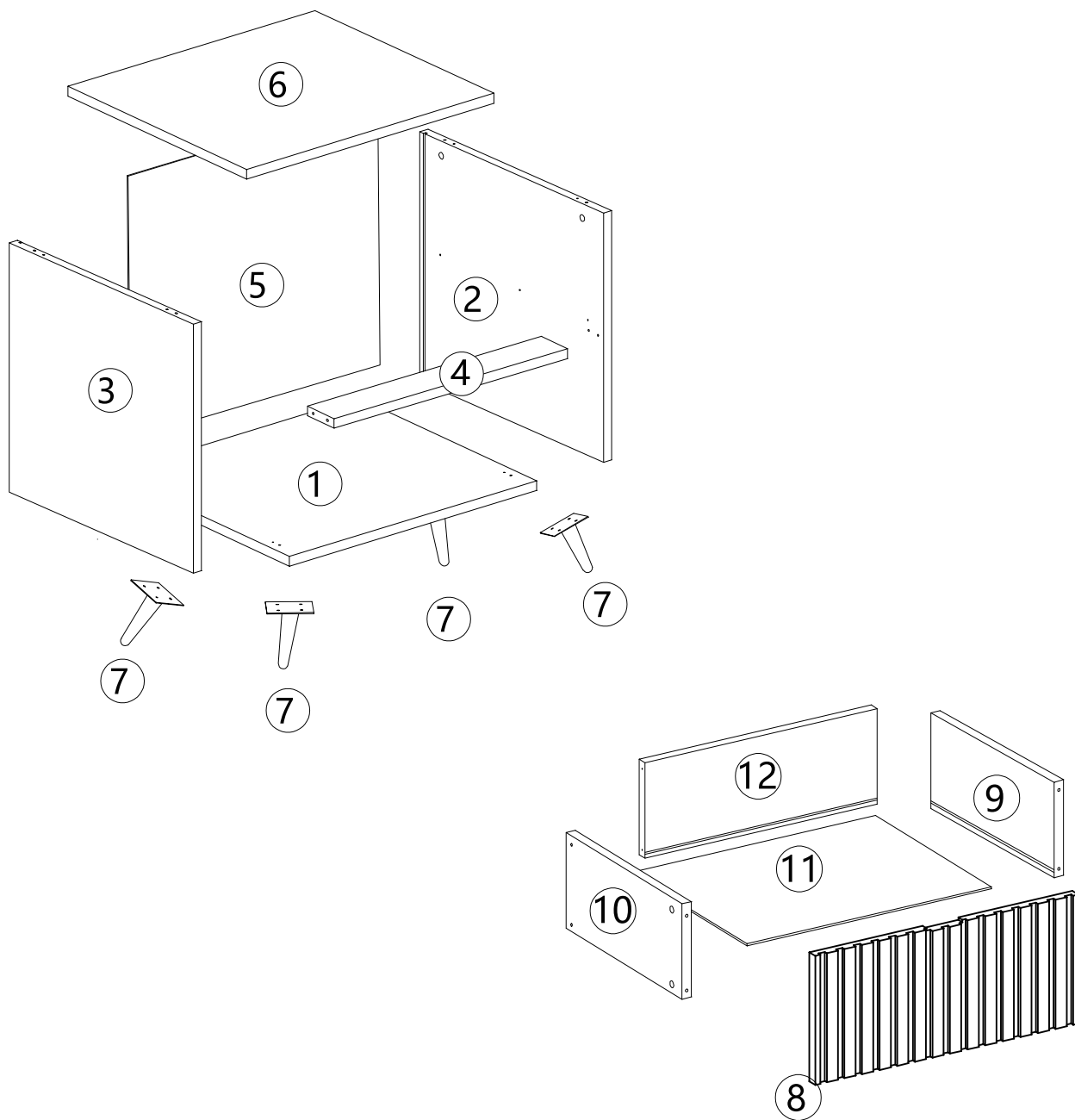
After purchasing the product, customers can consult our staff for any product-related inquiries.

















**Contact Email :** [Service@cozfurn.com](mailto:Service@cozfurn.com)

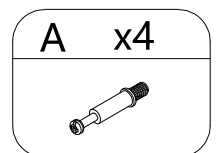
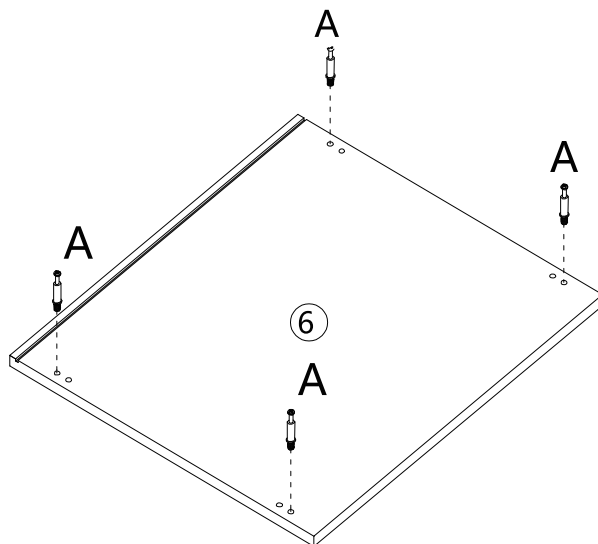
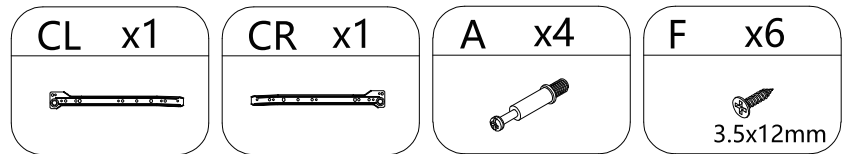
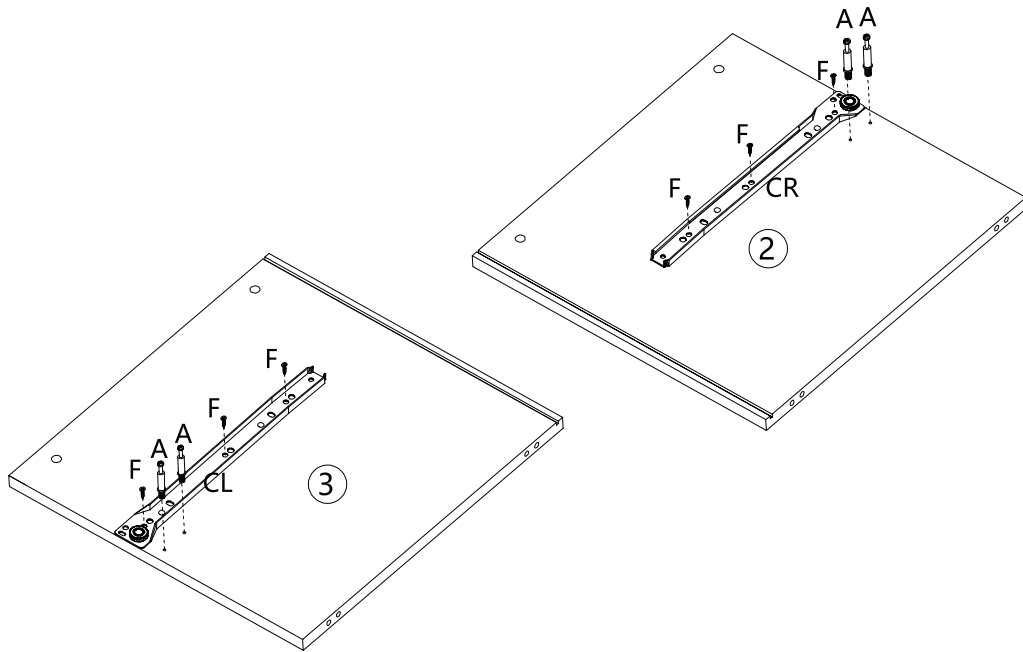
---

# ACCESSORIES DISPLAY

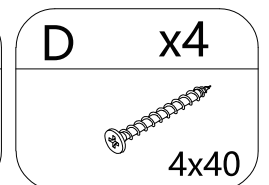
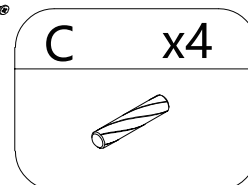
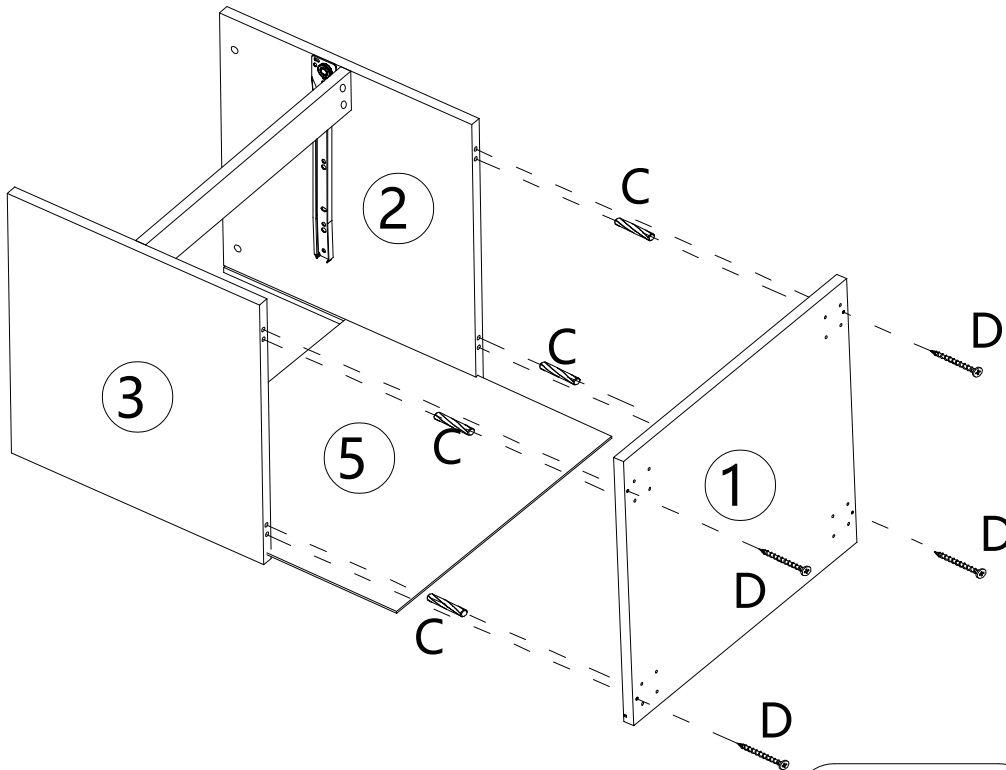
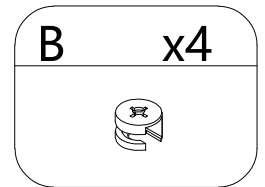
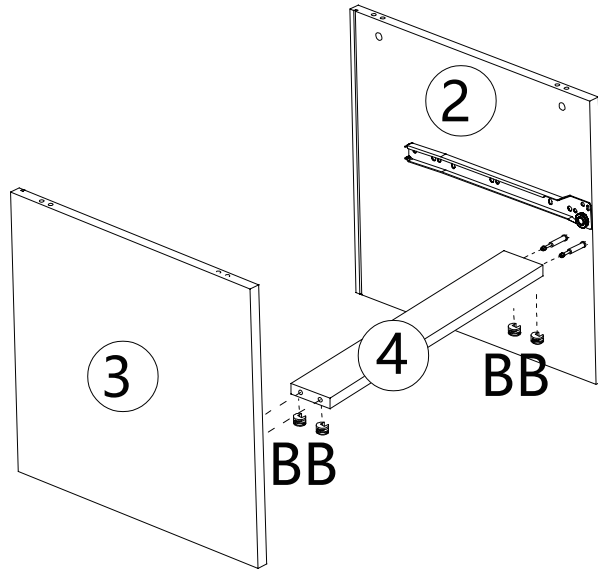


A x12	B x12	C x8	D x4	E x4	F x14	G x4
			 4x40	 4x30	 3.5x12mm	 3x14
H x4	I x1	J x16	CL x1	CR x1	DL x1	DR x1
		 4x12				

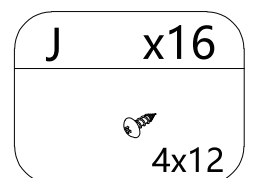
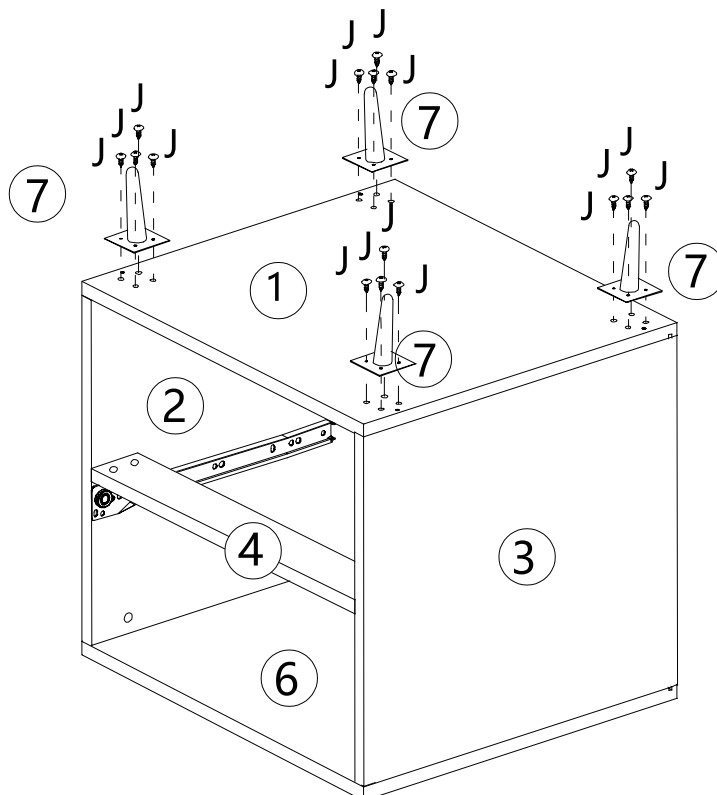
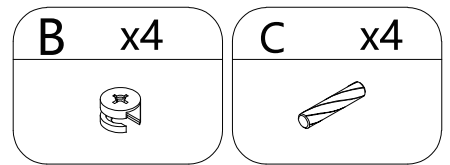
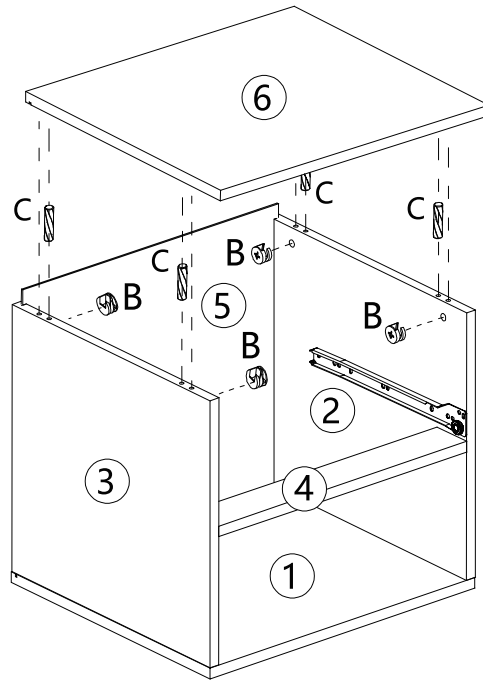
# PRODUCT ASSEMBLY



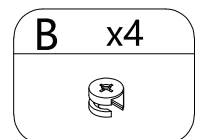
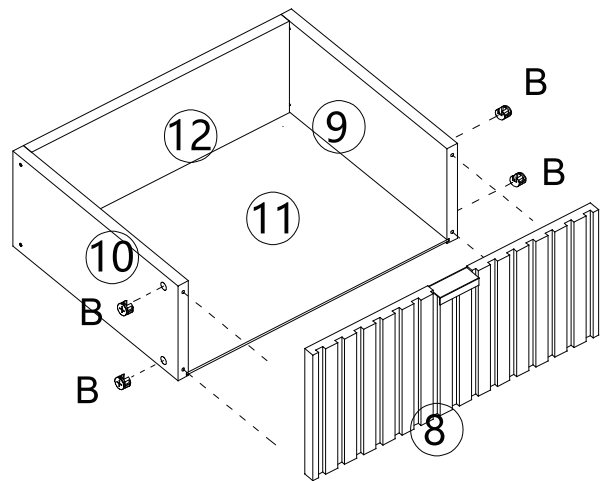
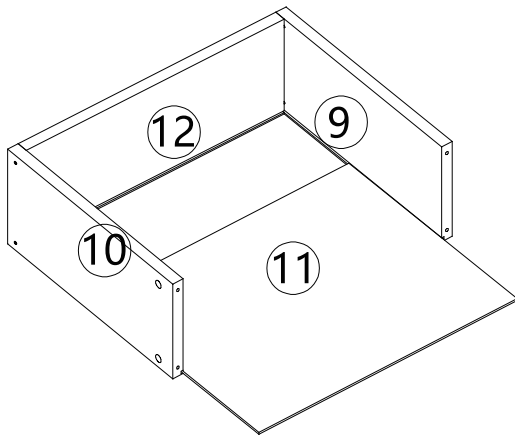
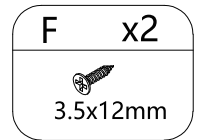
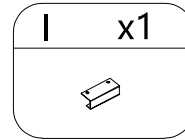
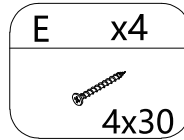
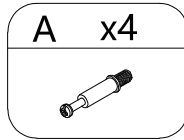
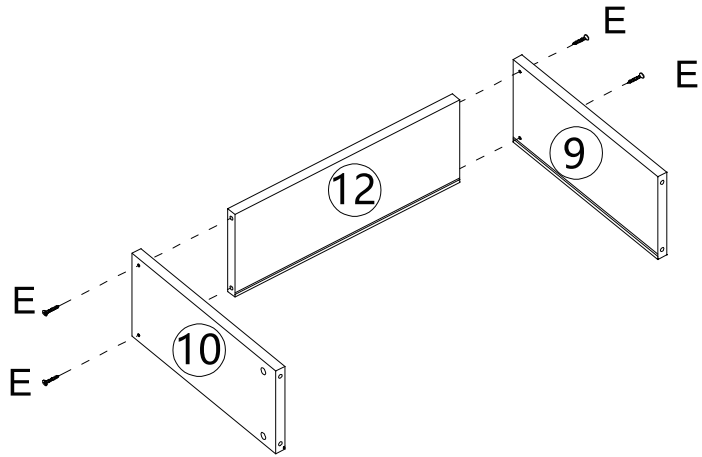
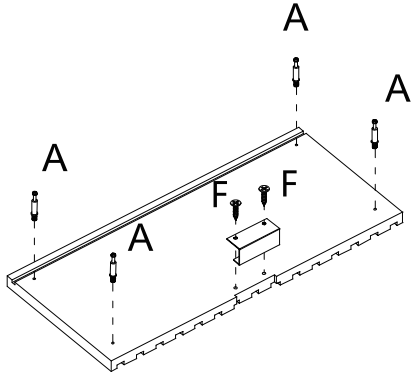
# PRODUCT ASSEMBLY



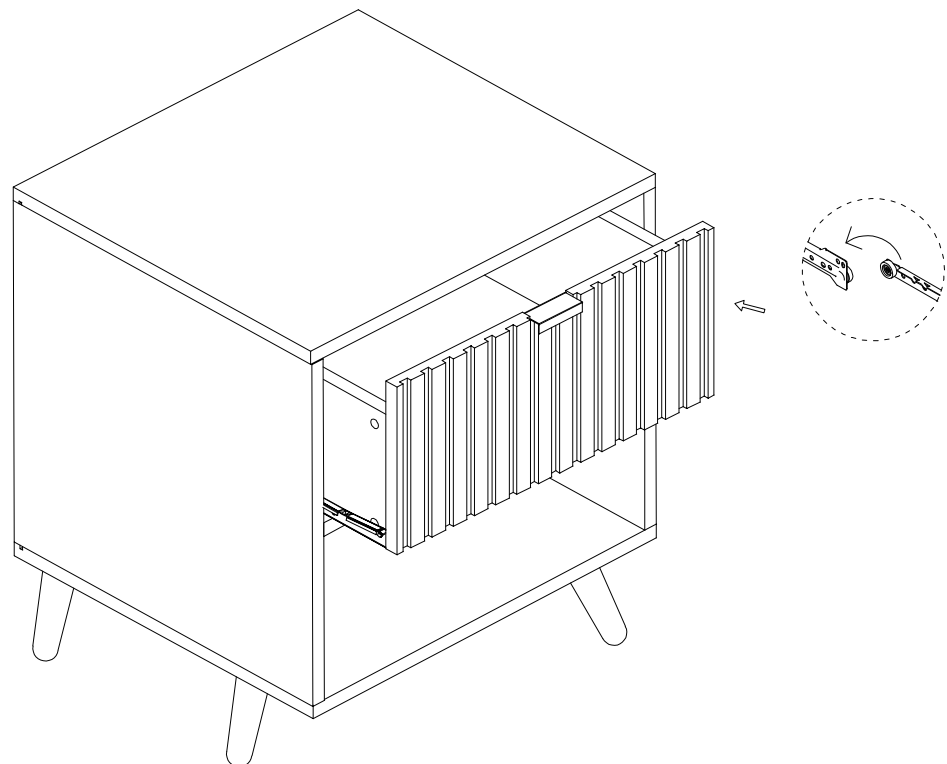
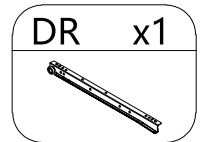
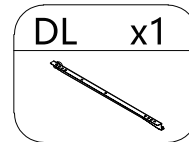
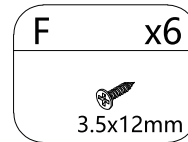
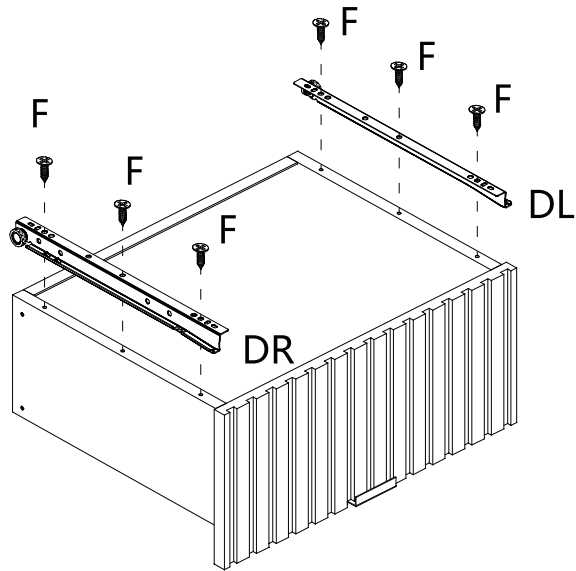
# PRODUCT ASSEMBLY



# PRODUCT ASSEMBLY



# PRODUCT ASSEMBLY



# PRODUCT ASSEMBLY

