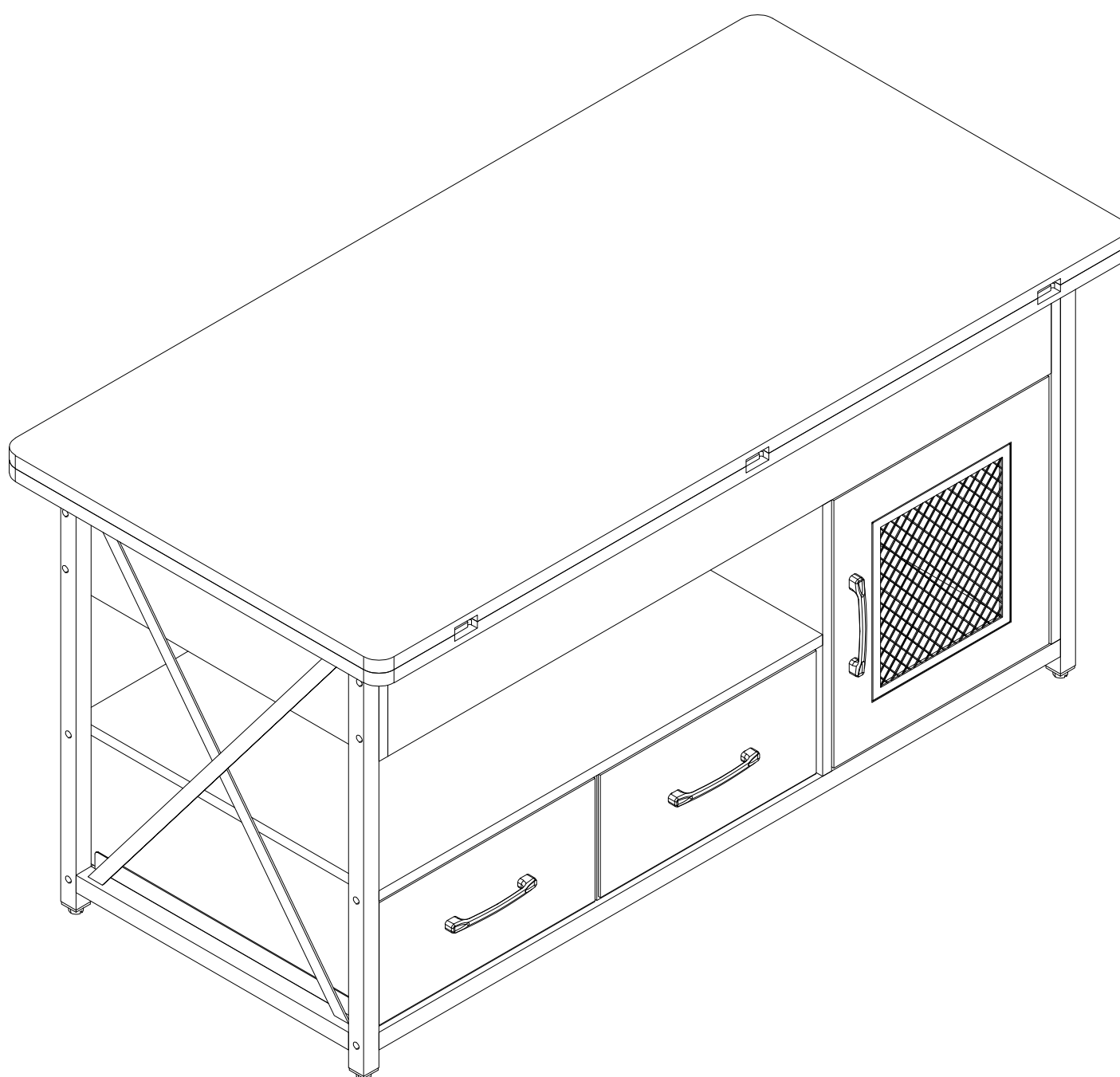
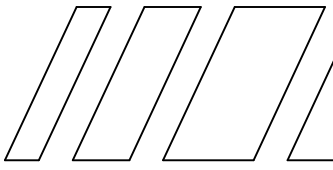
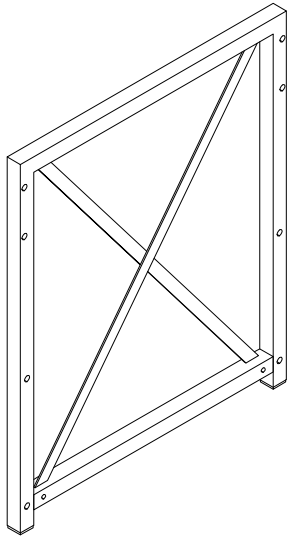


COFFEE TABLE

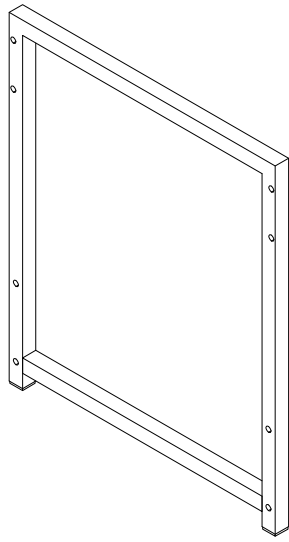




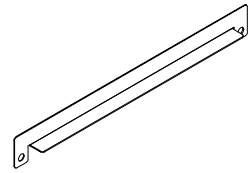
1



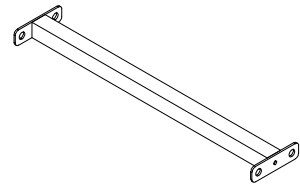
2



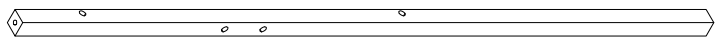
3



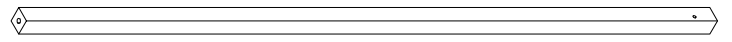
4



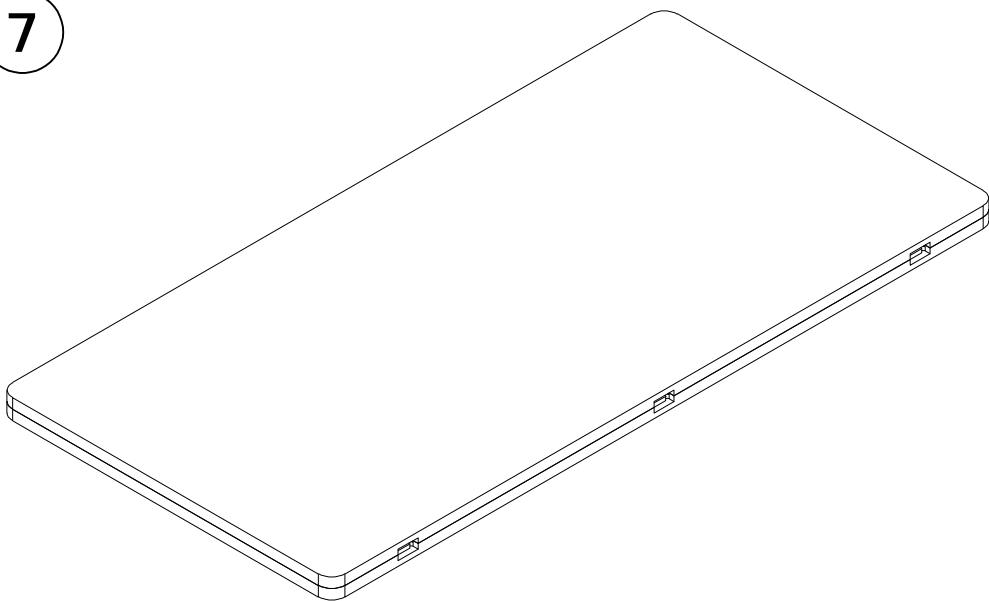
5



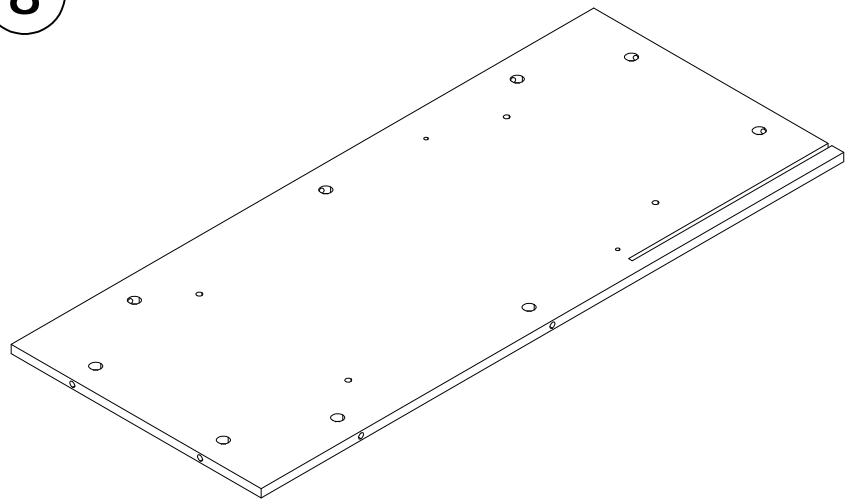
6



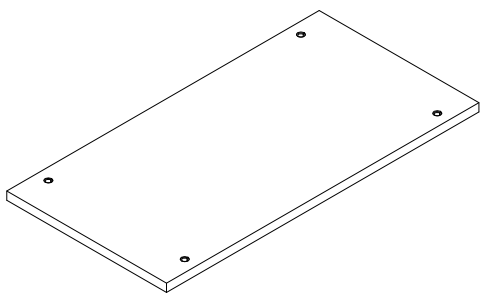
7



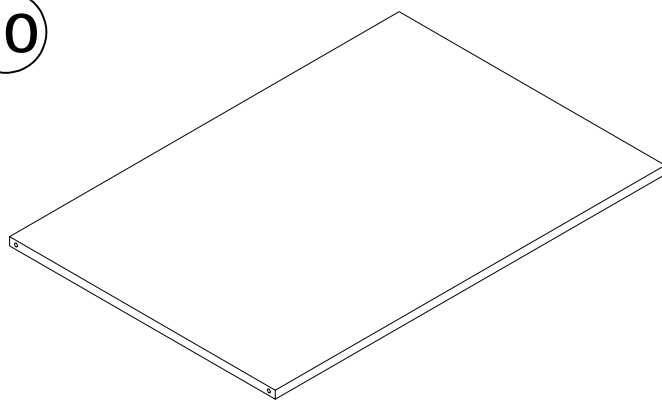
8



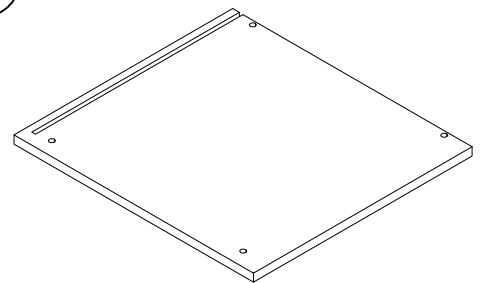
9



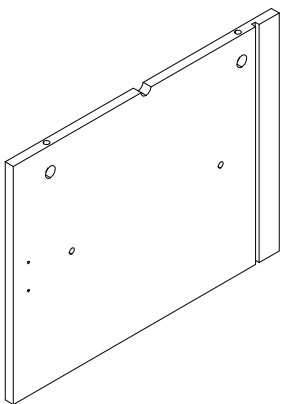
10



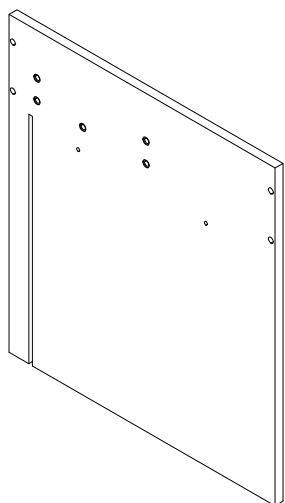
11



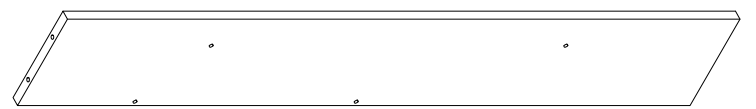
12



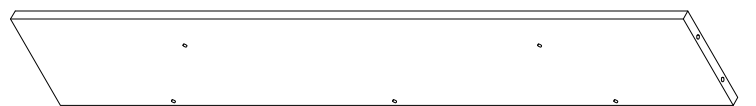
13

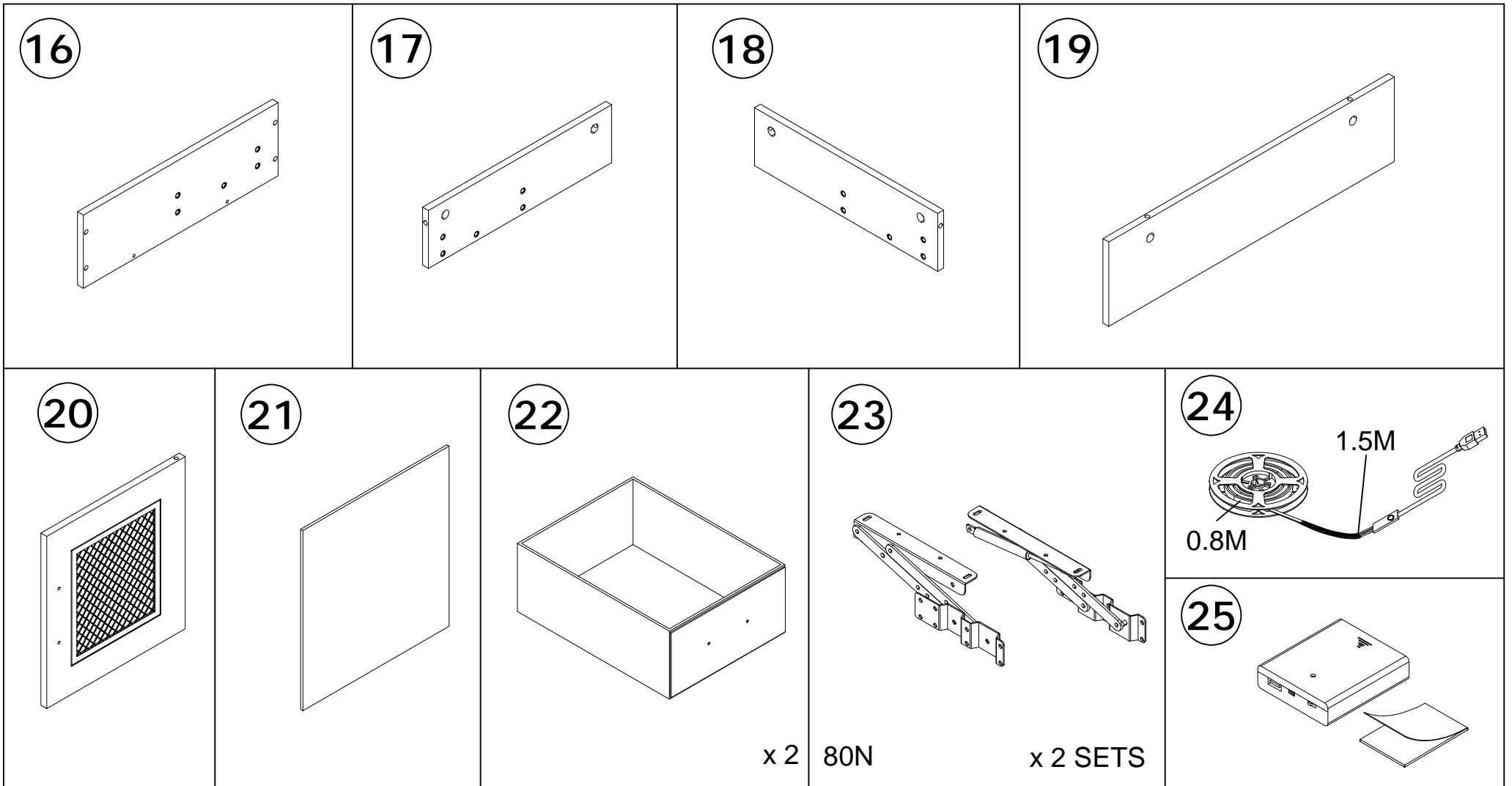


14



15

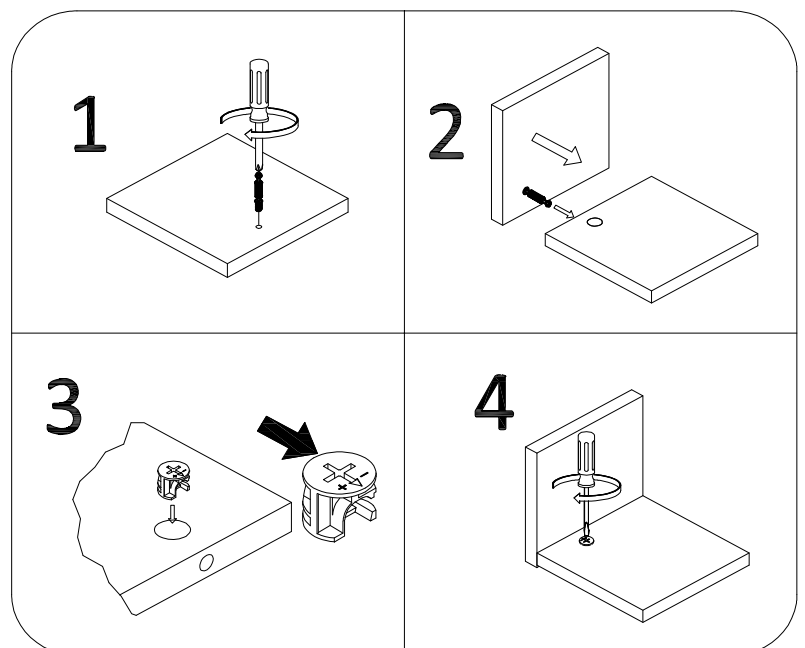
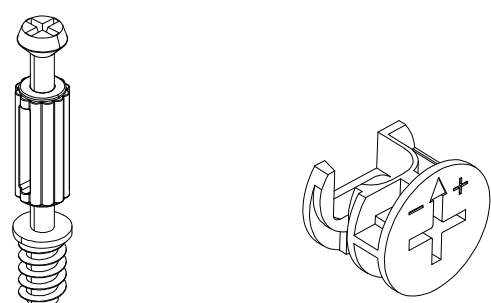




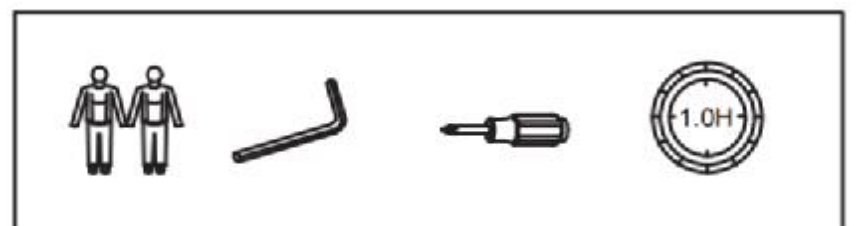
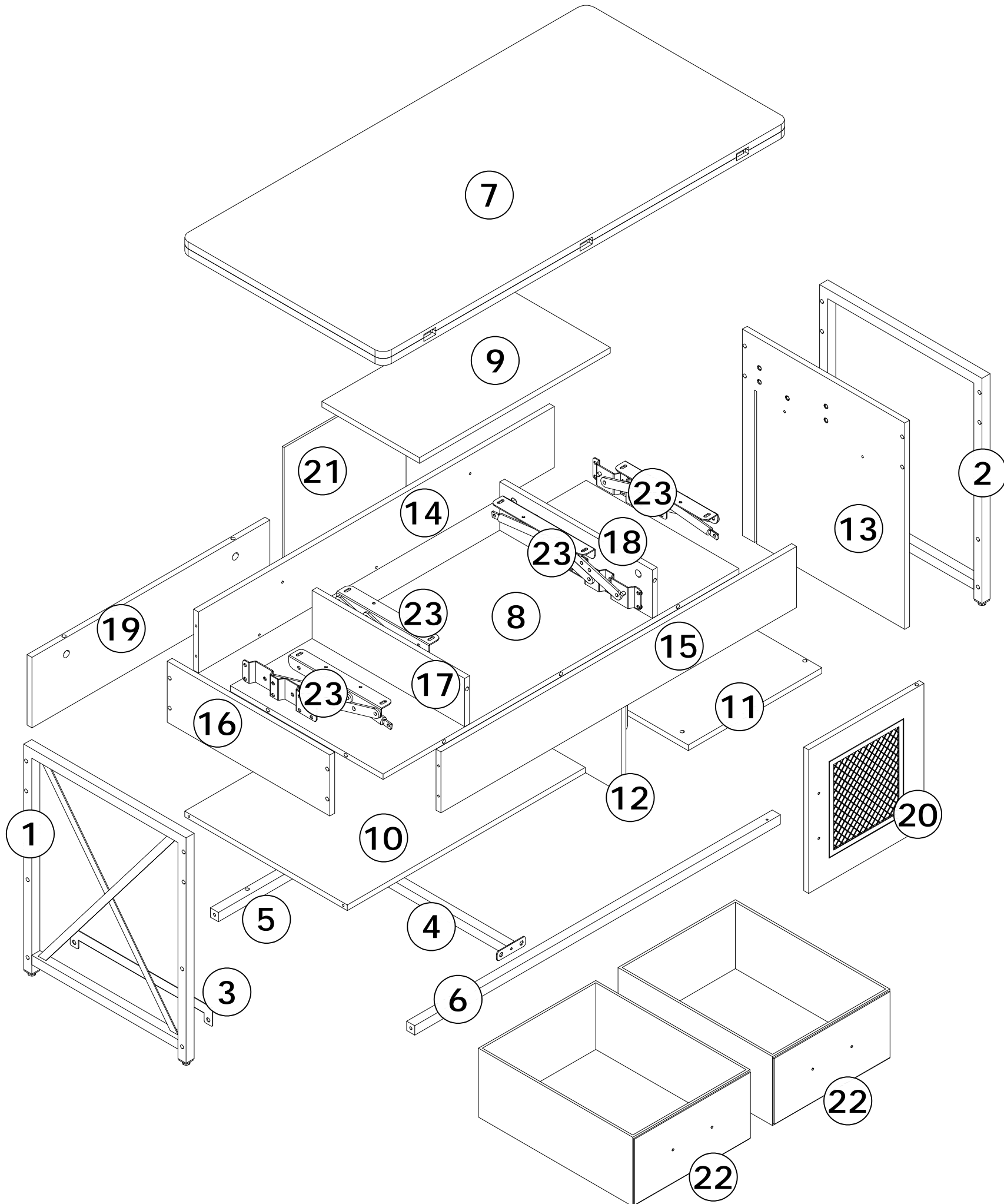
A M5x42 17 PCS	B Ø15x10 17 PCS	C M7x50 22 PCS	D M3.5x14 4 PCS	E M5x10 28 PCS	F M6x12 6 PCS	G M6x28 2 PCS	H M6XØ28 4 PCS	I 1 PCS	J Ø4x63 1 PCS
K 2 PCS	L M4x10 4 PCS	M 8335-96 3 PCS	N M6x40 4 PCS	O M4x16 2 PCS	P 4 PCS	Q Ø15x3 6 PCS	4# 1 PCS	 1 PCS	

Cam Lock Fastening System

This Cam Lock Fastening System will be used throughout the assembly process

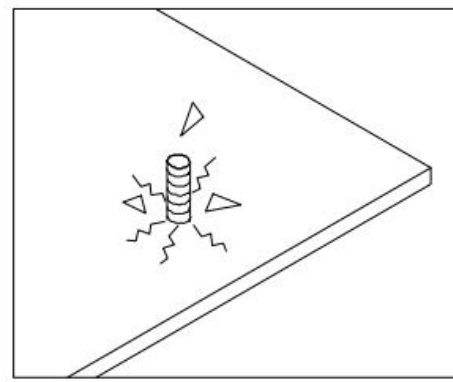
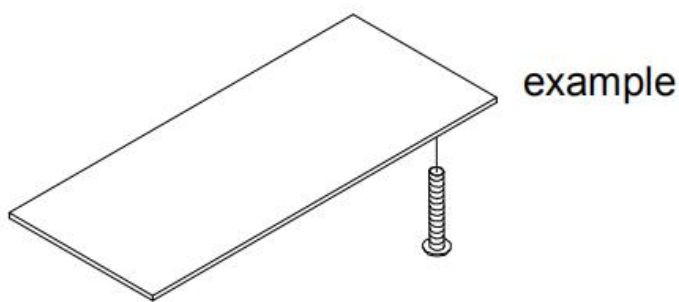


GAUTION: When tightening the screws, tighten sequentially.
Do not tighten any screws fully and then towards the next one.
When every part is OK, then tighten all the screws



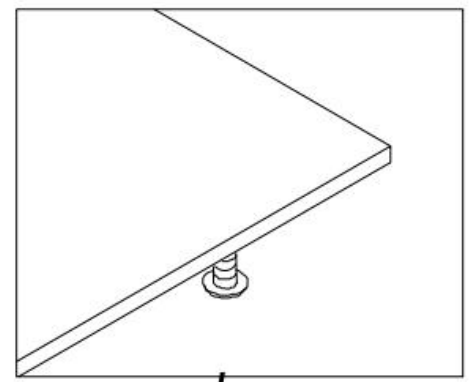
1. Matters needing attention

Be sure to use the proper screws to avoid damaging the parts



✘

Wrong screws can cause the plank to crack

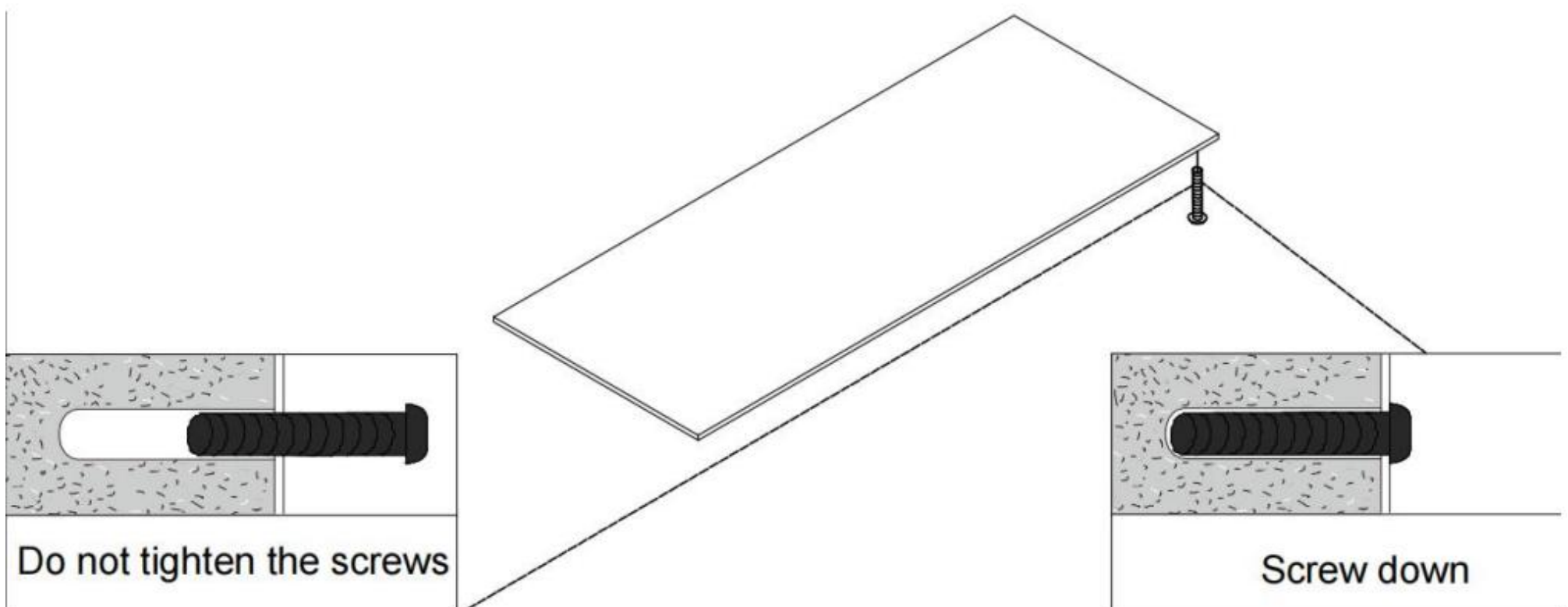


✔

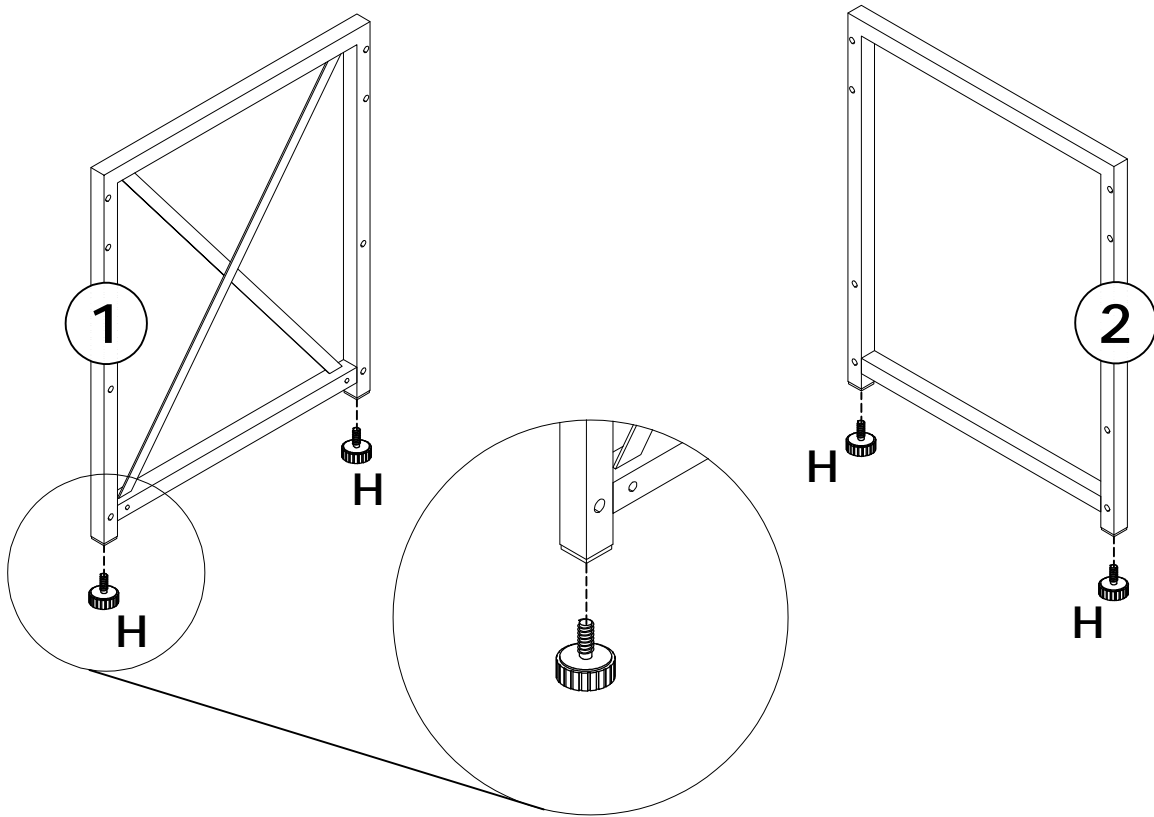
The right screw is the right size

2. Matters needing attention

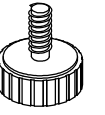
- (1) When installing the screws in the installation step, the screws do not need to be tightened. After this installation step is confirmed and the holes are aligned, then tighten all the screws.
- (2) If the screws are tightened during the installation process, it will cause problems such as misalignment of the screw holes and misalignment of the board in subsequent installations.



1

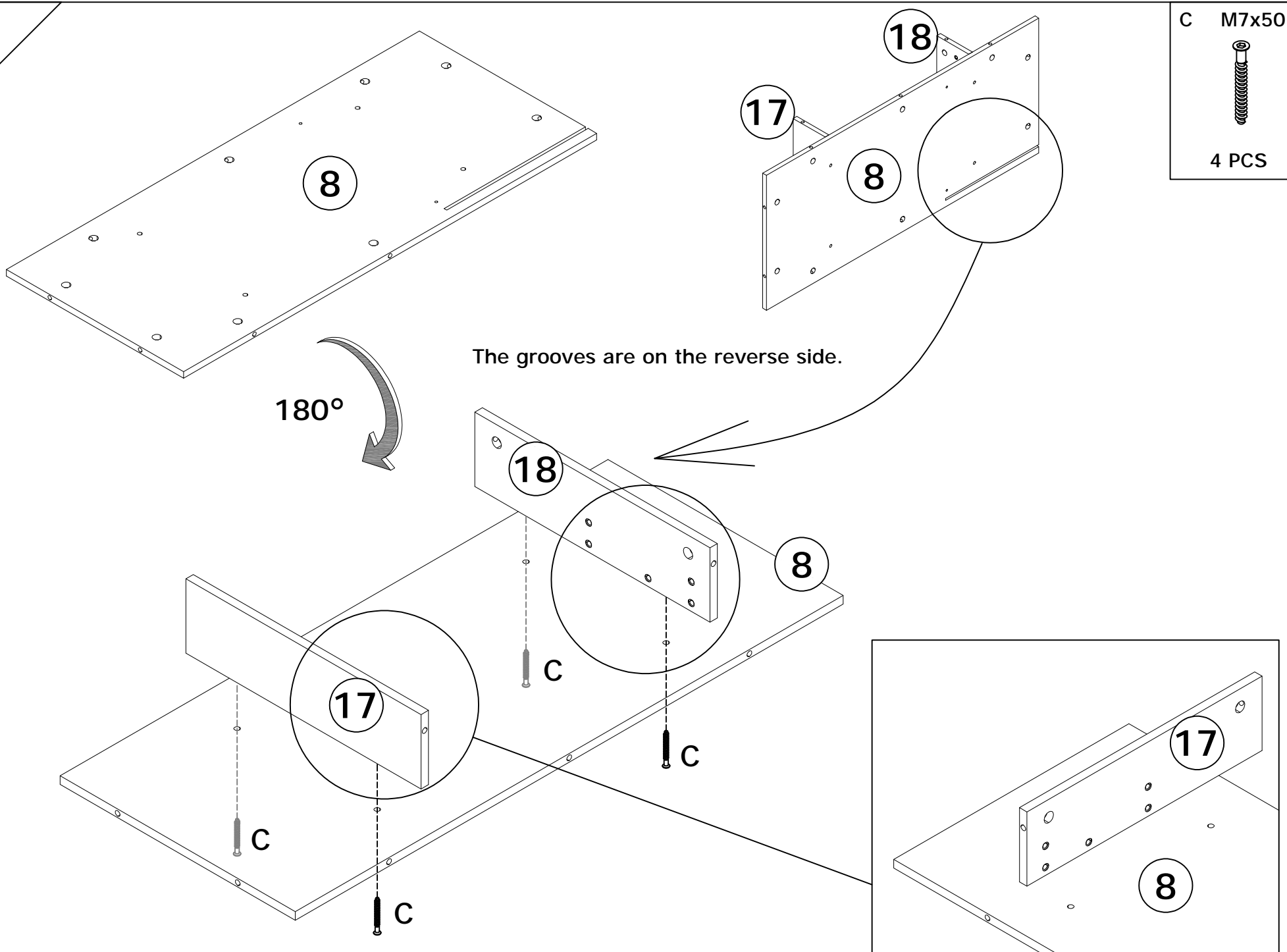


H M6XØ28



4 PCS

2



C M7x50

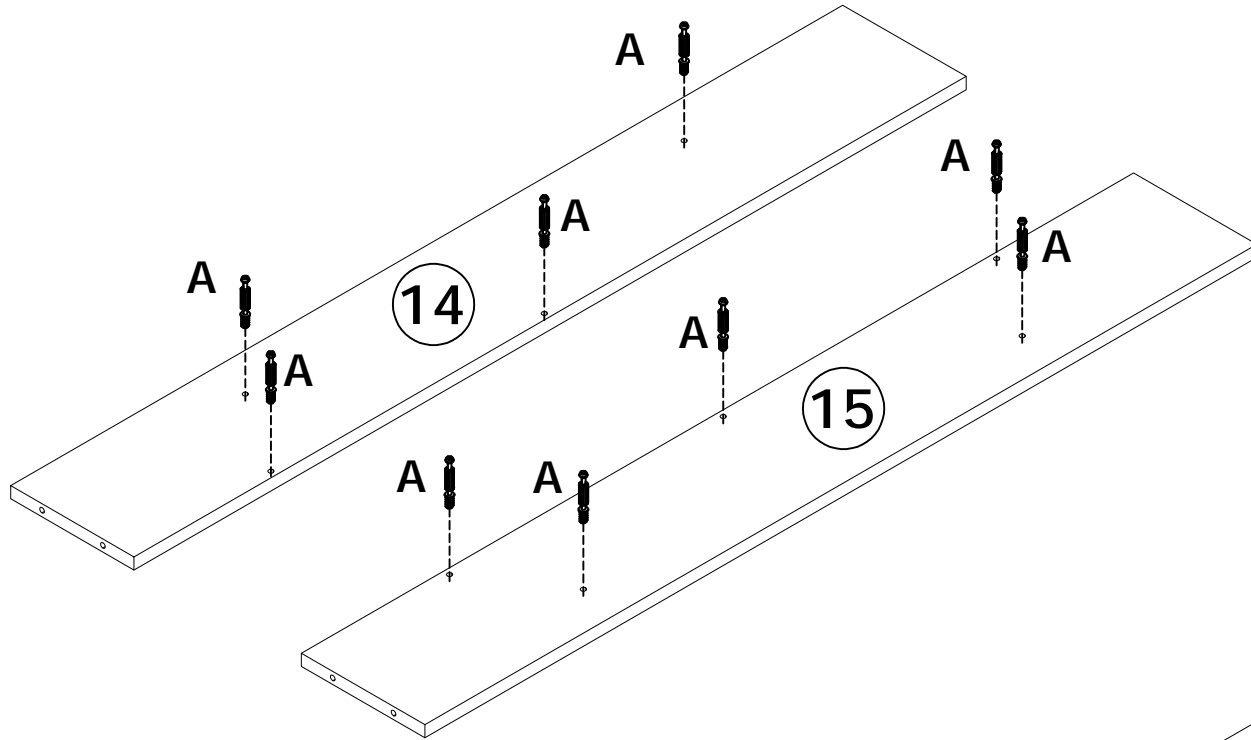


4 PCS

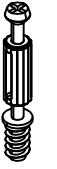
The grooves are on the reverse side.

Pay attention to the direction of the holes during installation.

3



A M5x42

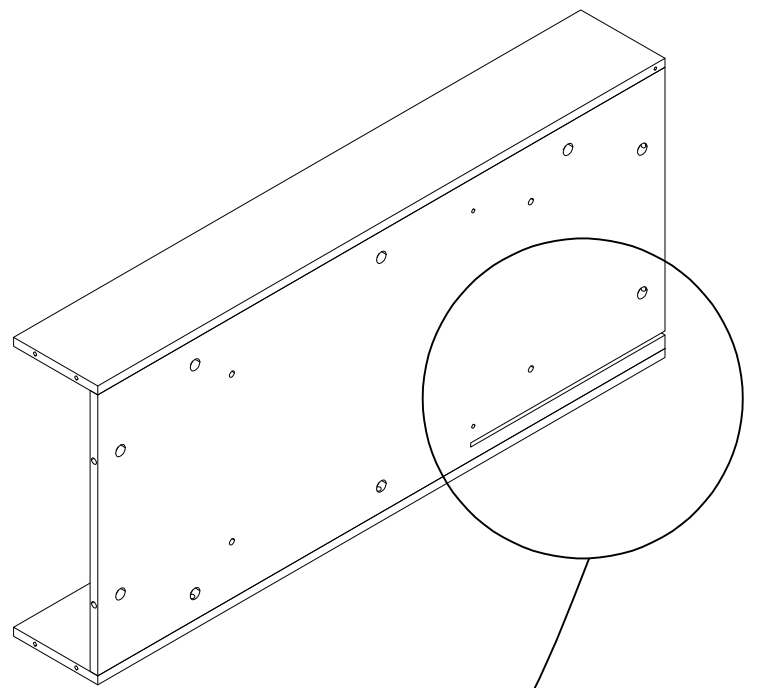


9 PCS

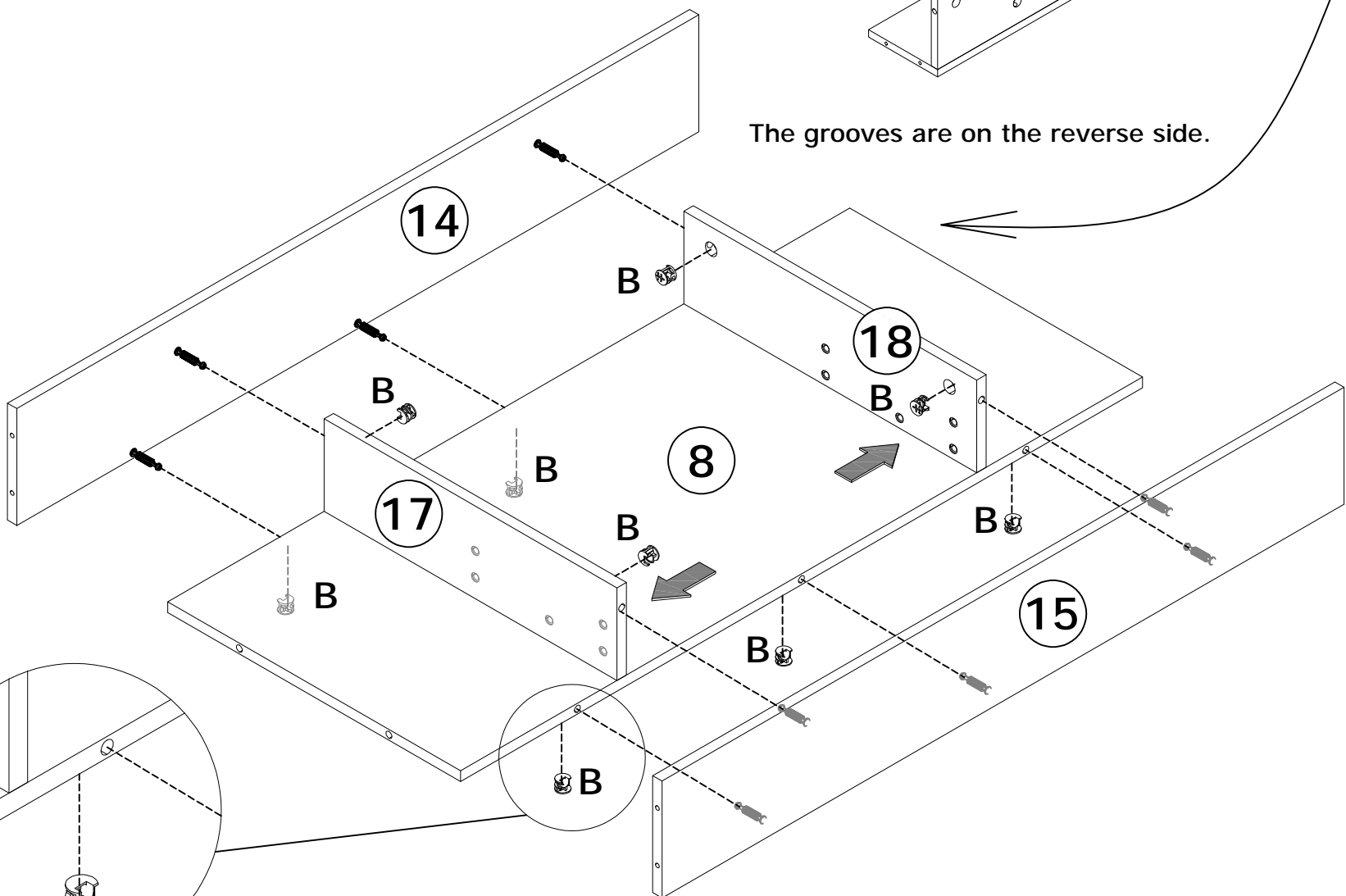
B Ø15x10



9 PCS



The grooves are on the reverse side.



4

A M5x42

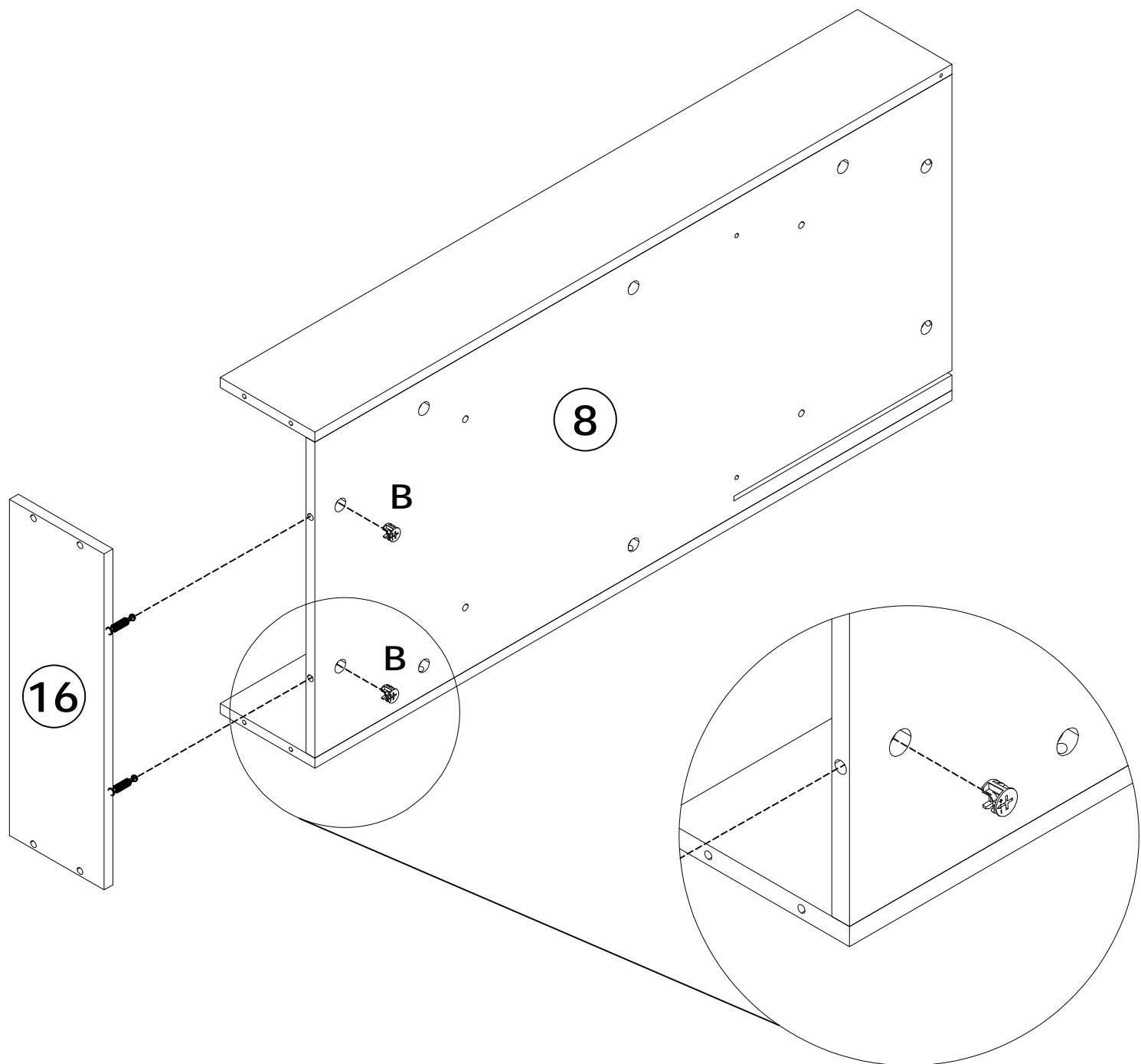
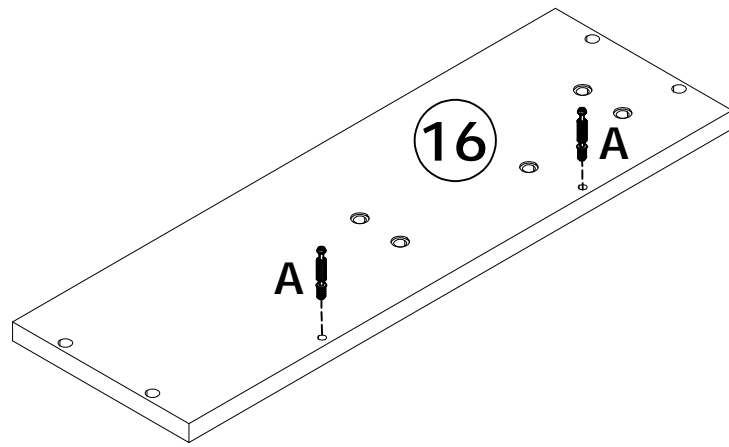


2 PCS

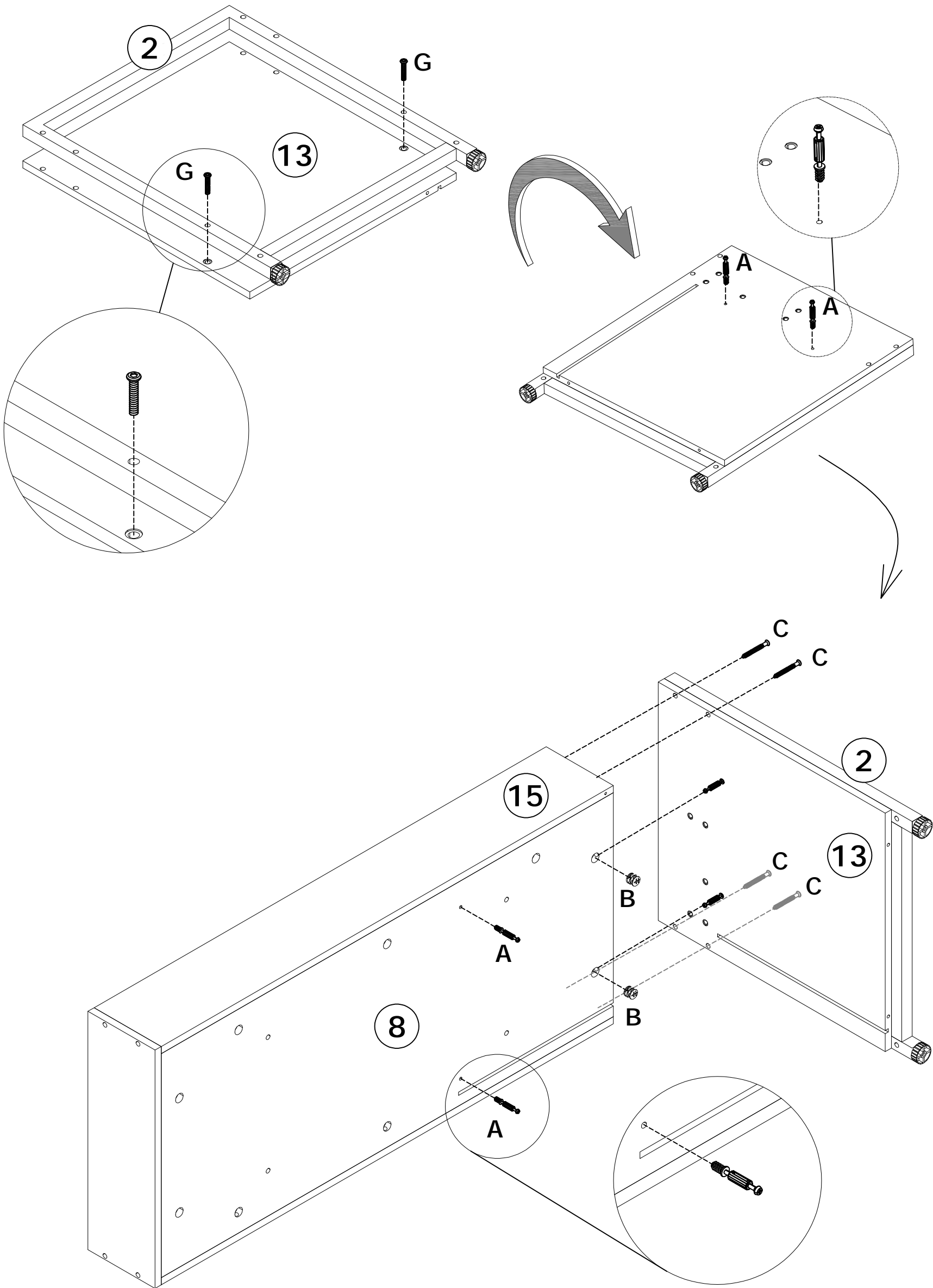
B Ø15x10



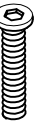
2 PCS



5



G M6x28



2 PCS

A M5x42



4 PCS

C M7x50



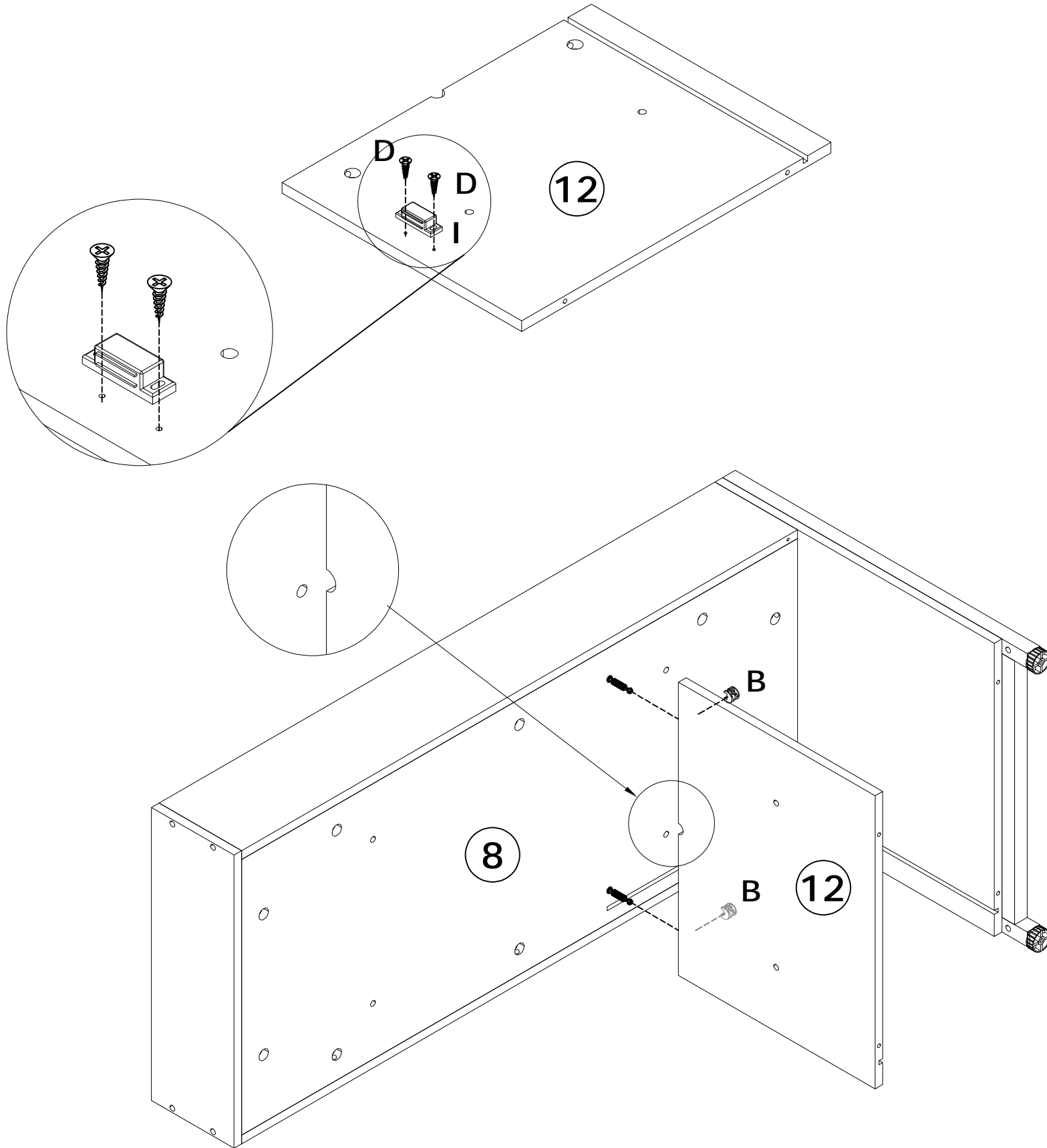
4 PCS

B Ø15x10



2 PCS

6



D M3.5x14



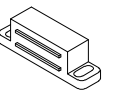
2 PCS

B Ø15x10



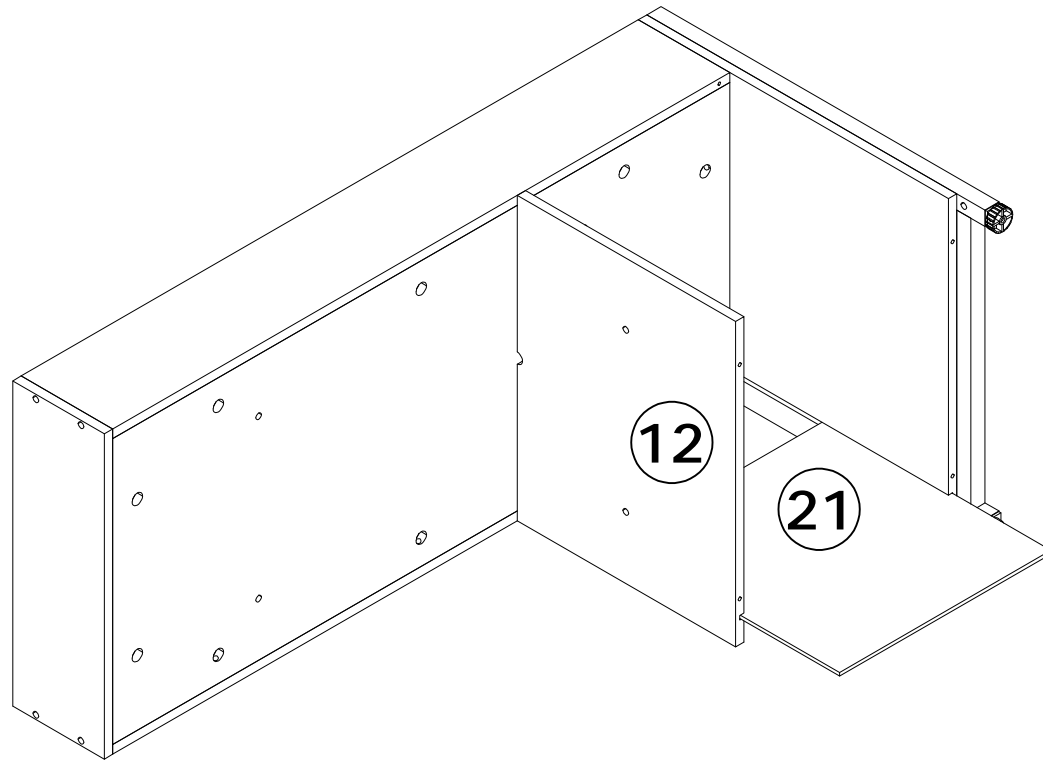
2 PCS

I



1 PCS

7



C M7x50

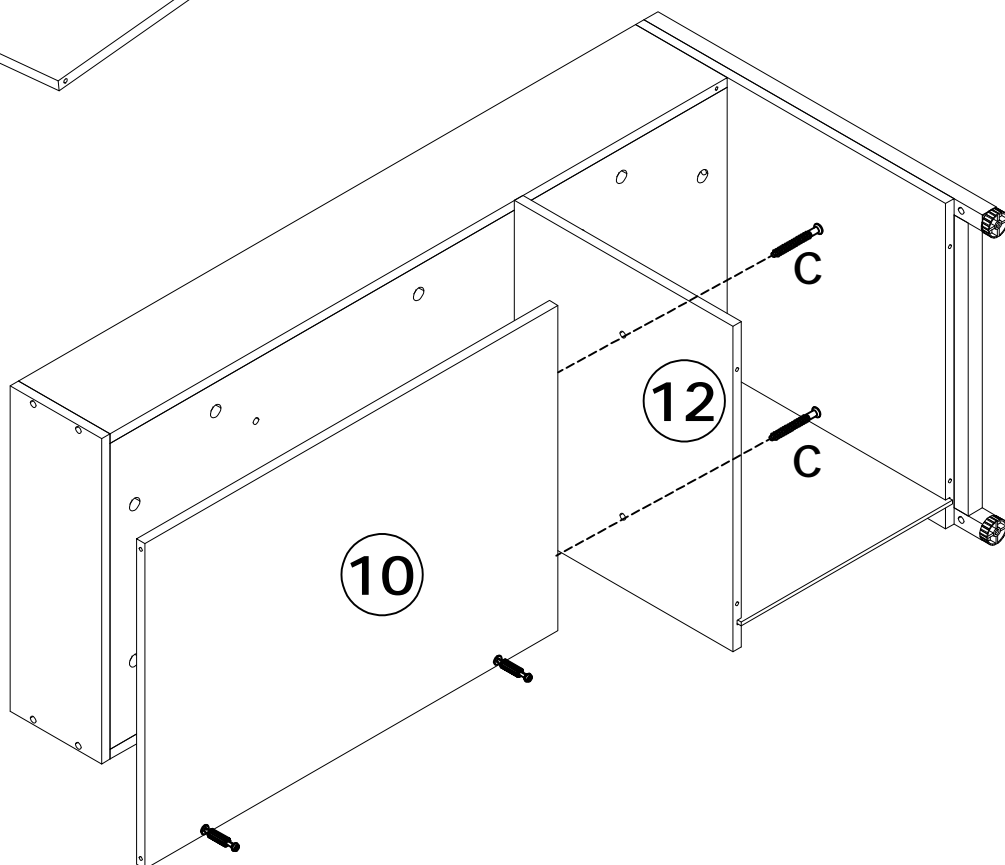
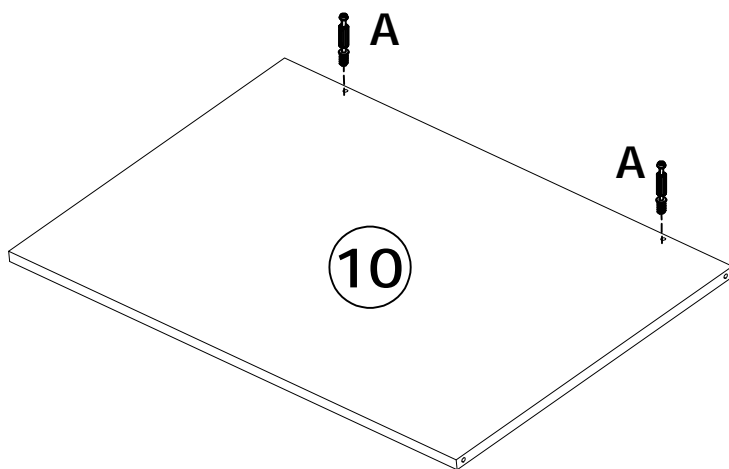


2 PCS

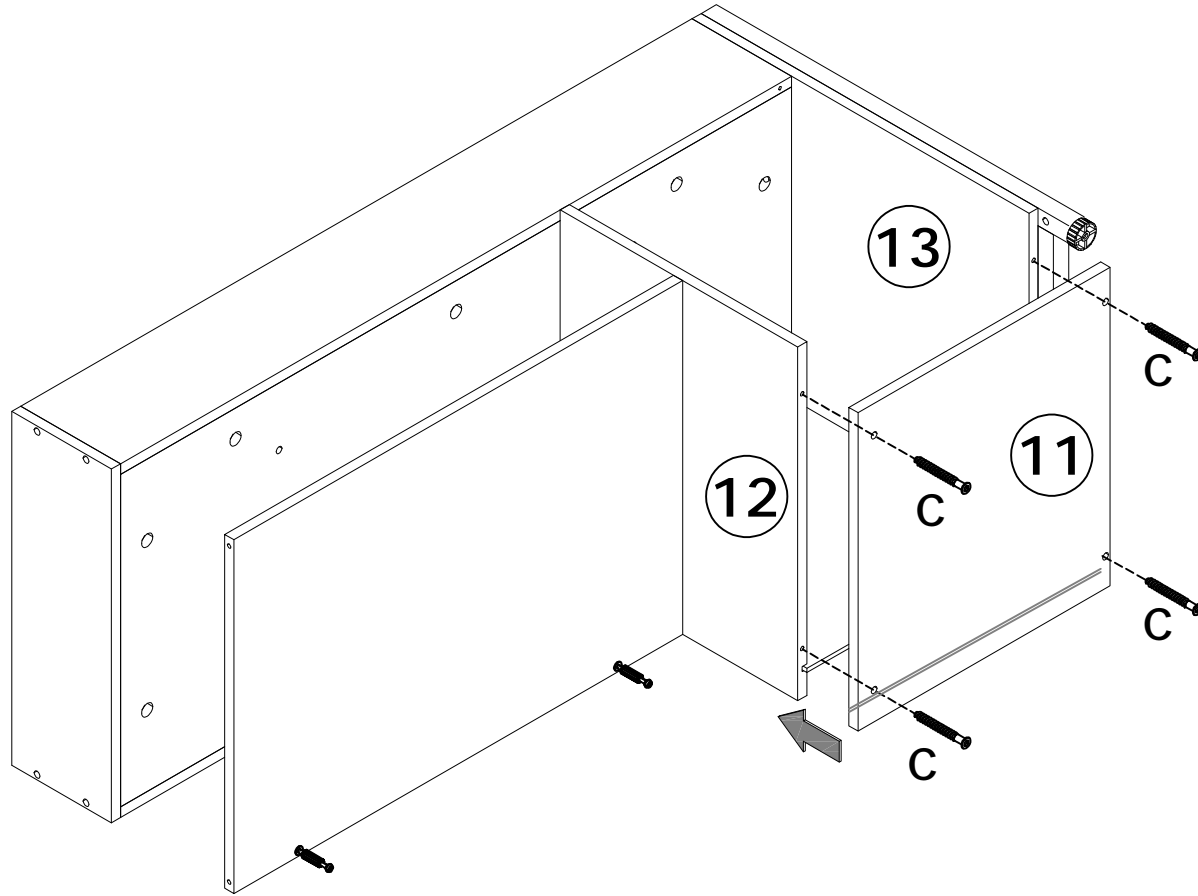
A M5x42



2 PCS



8

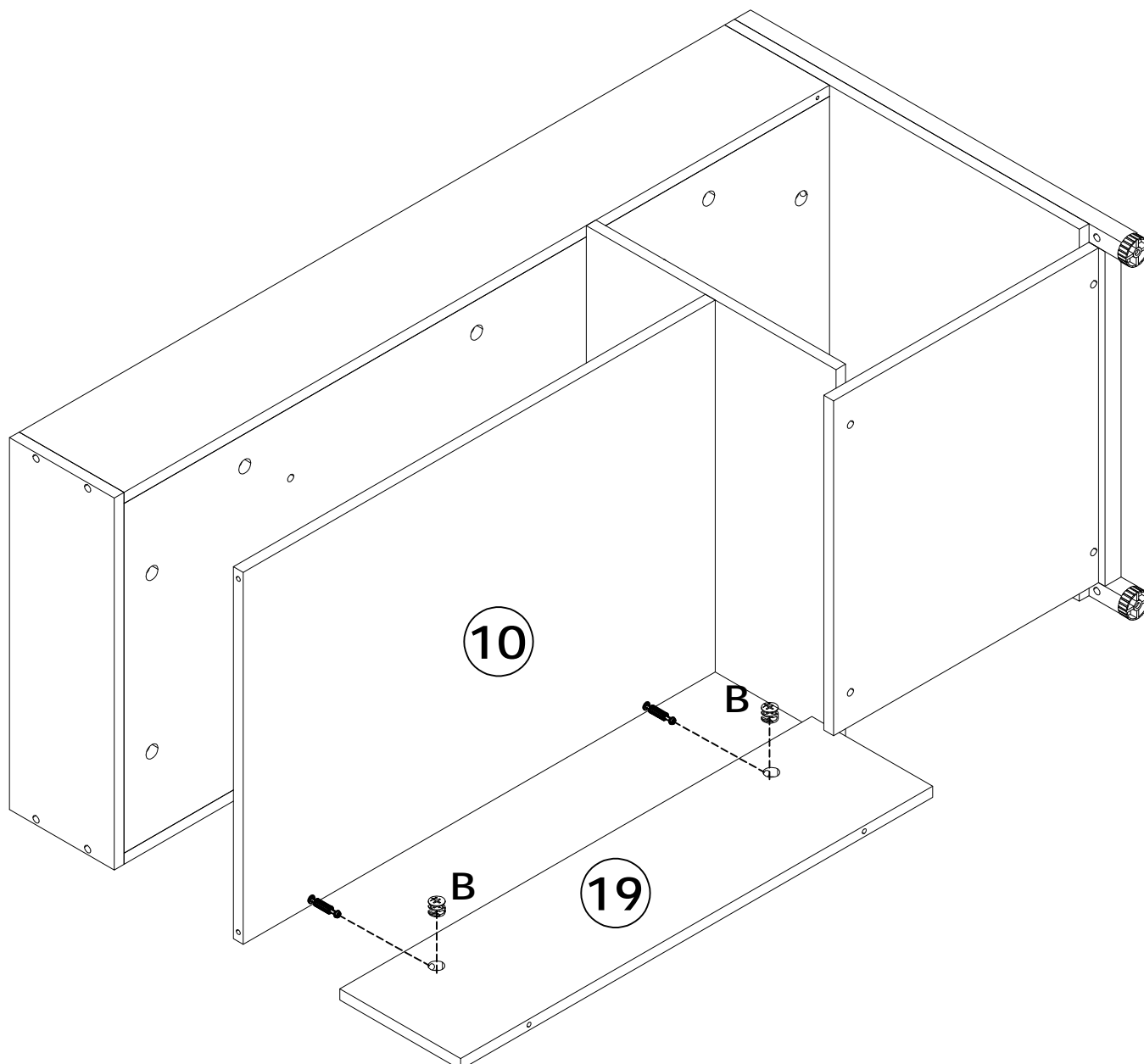


C M7x50



4 PCS

9



B Ø15x10



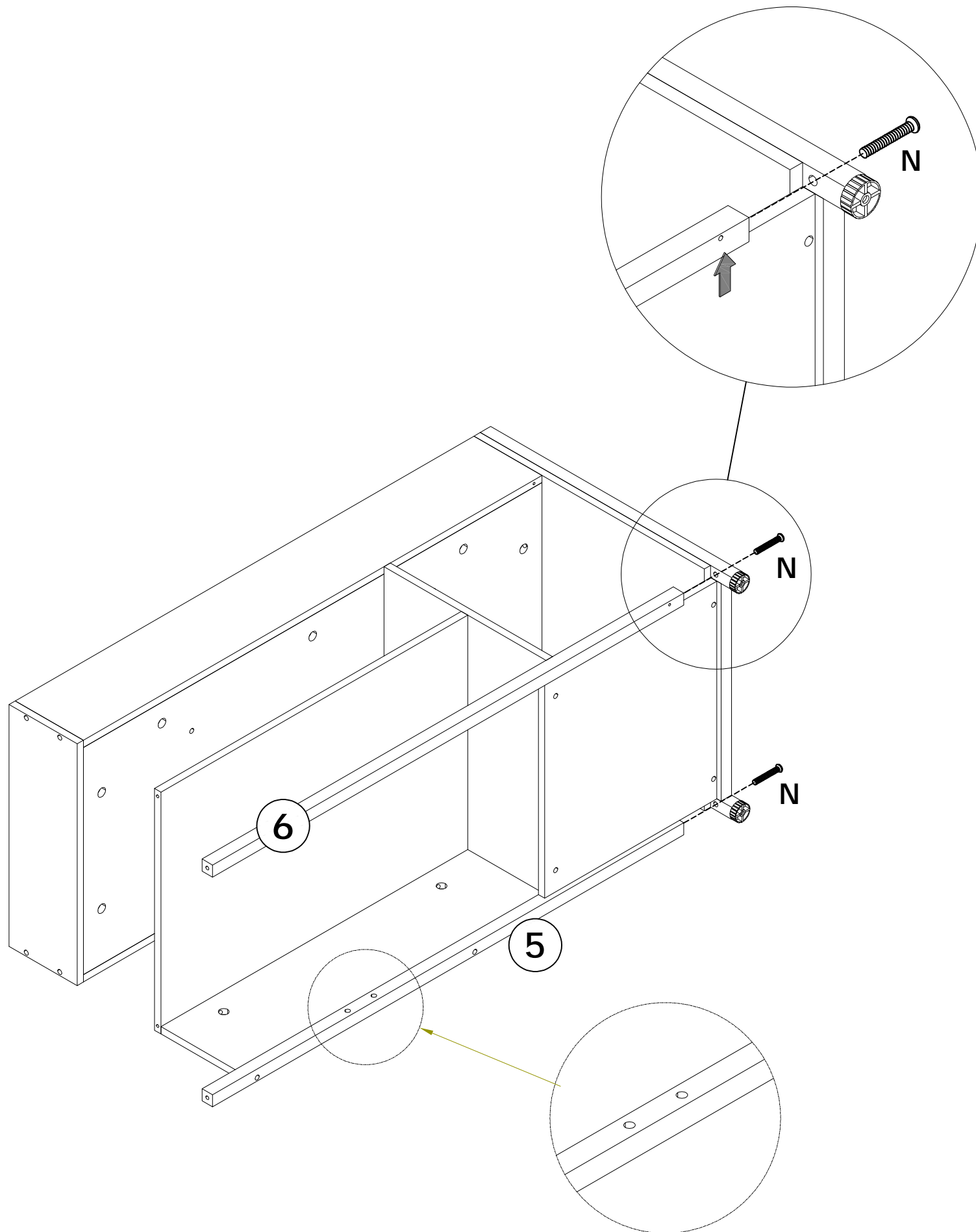
2 PCS

10

N M6x40



2 PCS



11

C M7x50

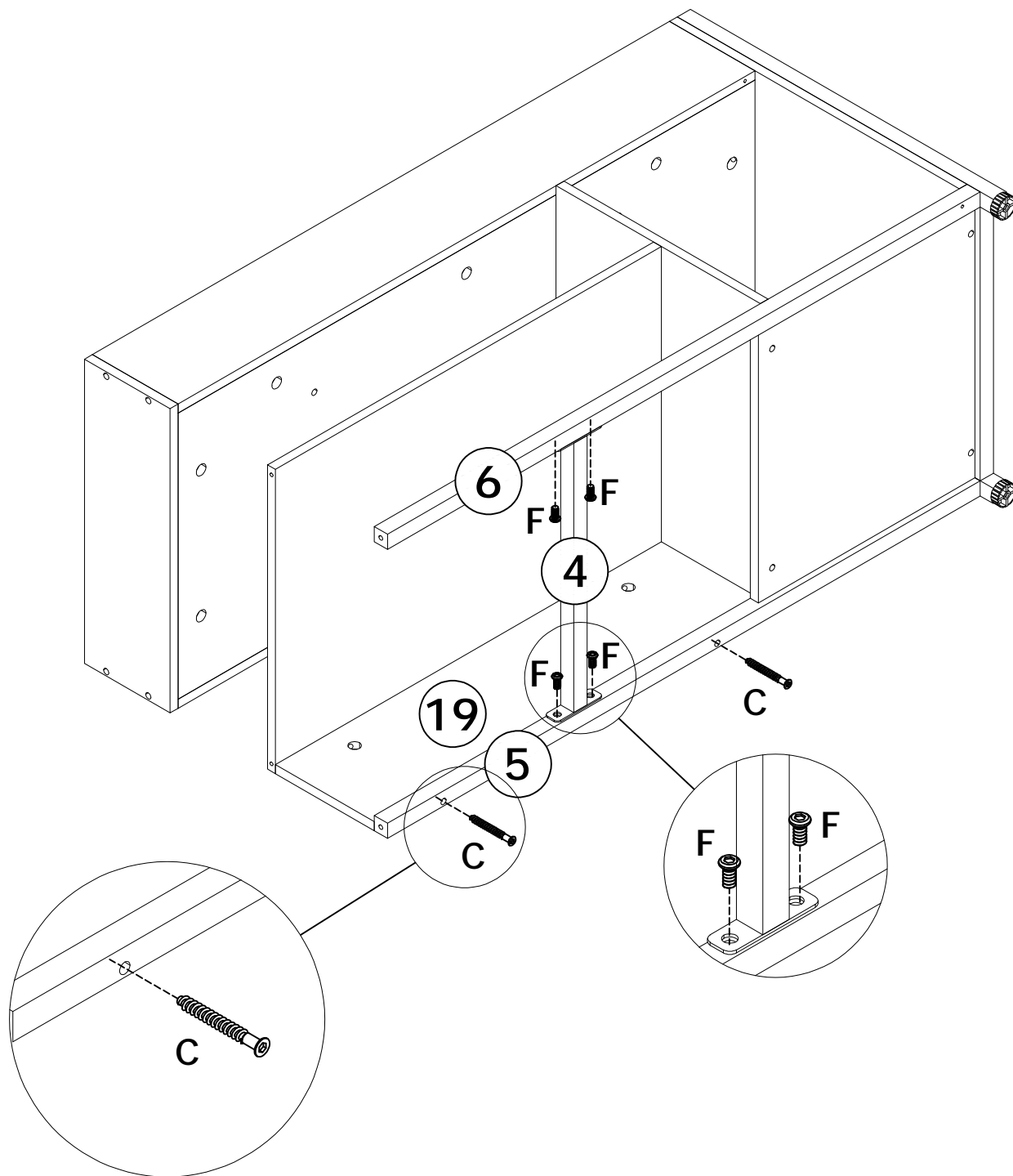


2 PCS

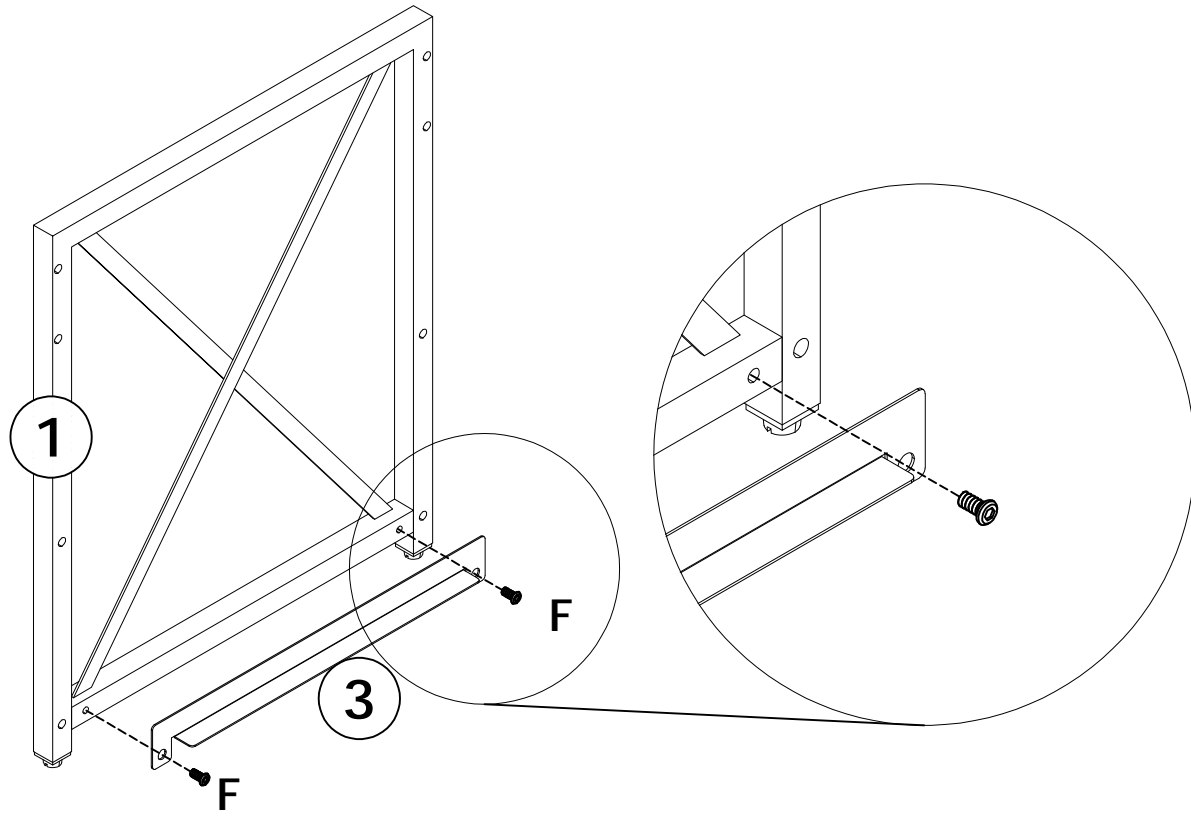
F M6x12



4 PCS



12

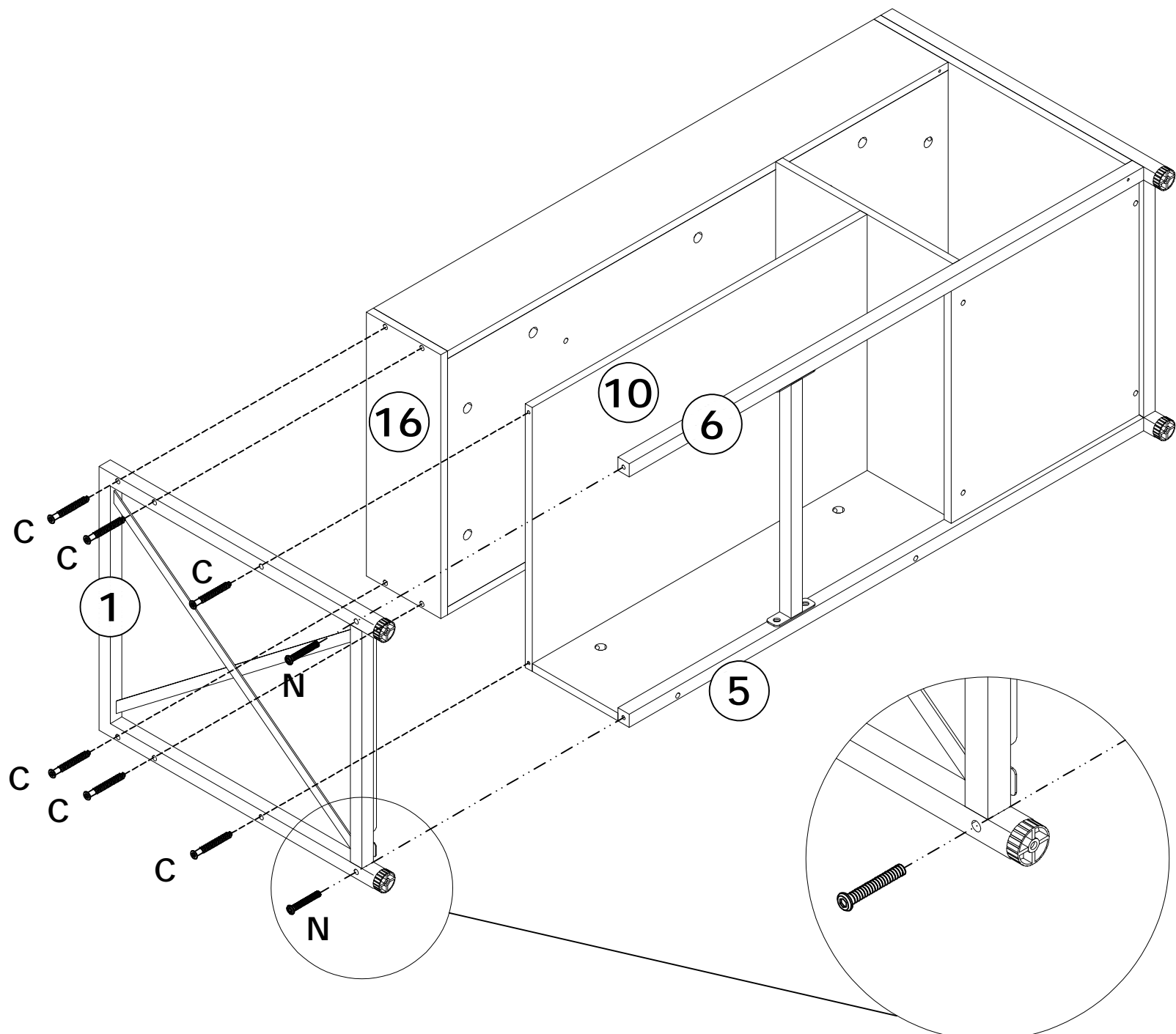


F M6x12

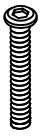


2 PCS

13



N M6x40



2 PCS

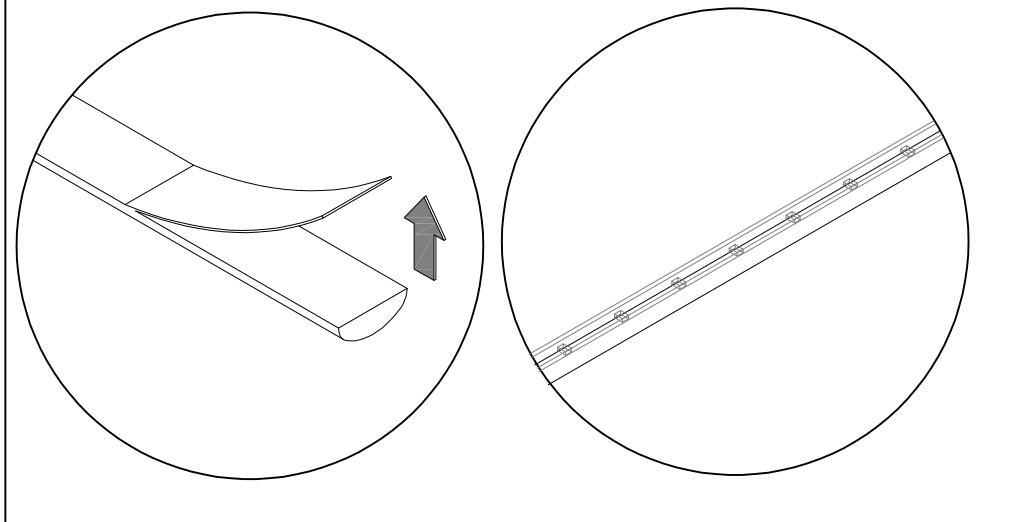
C M7x50



6 PCS

14

Tear off the tape and apply it to the plate, Then press it firmly with your hand



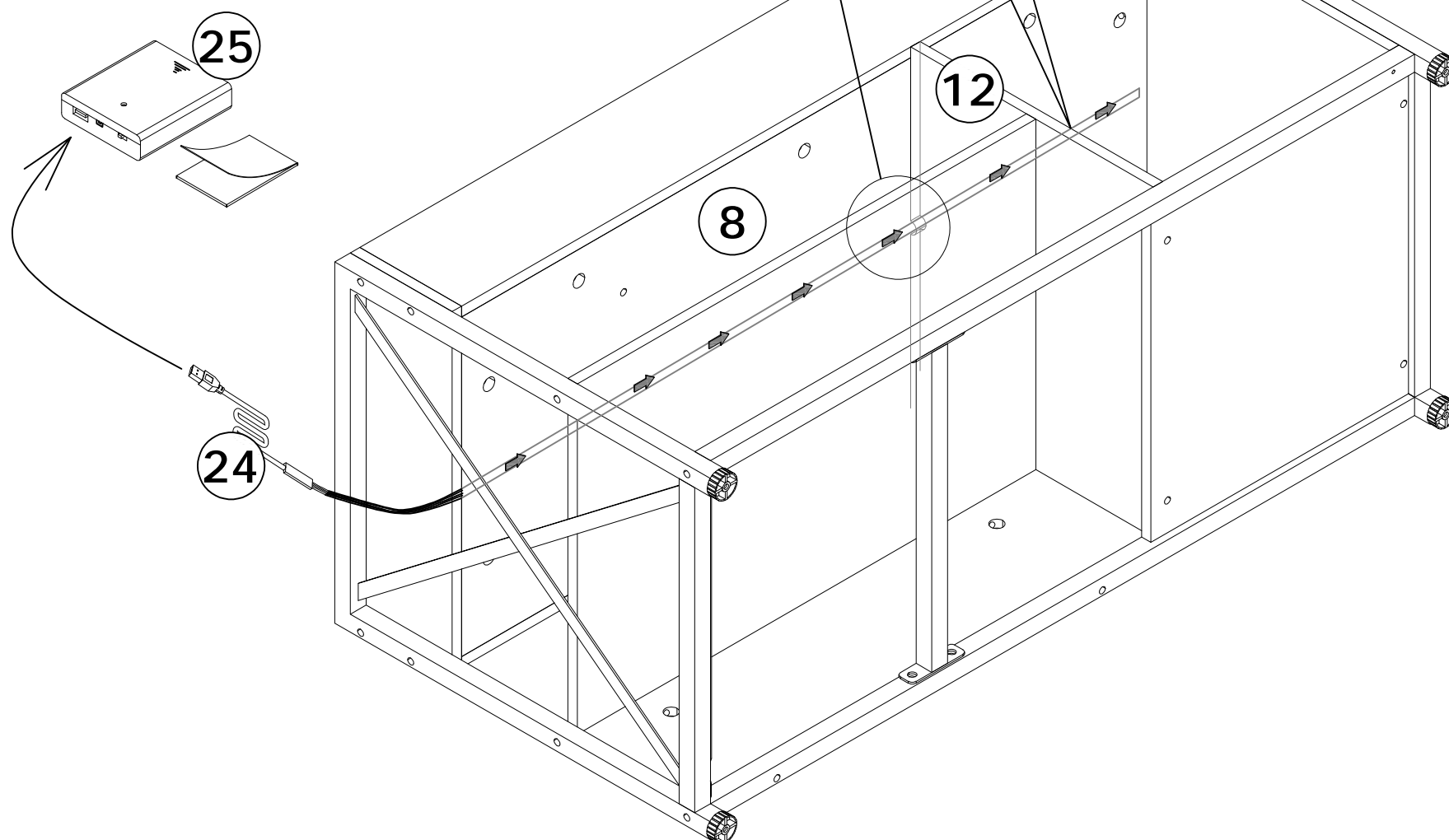
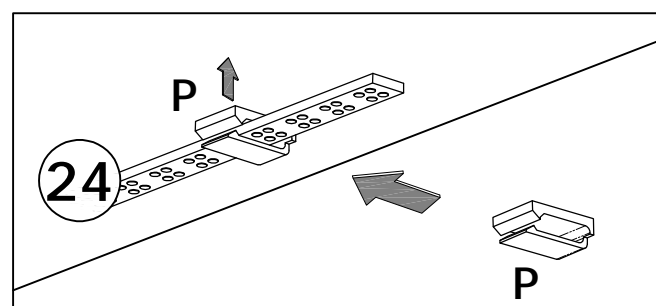
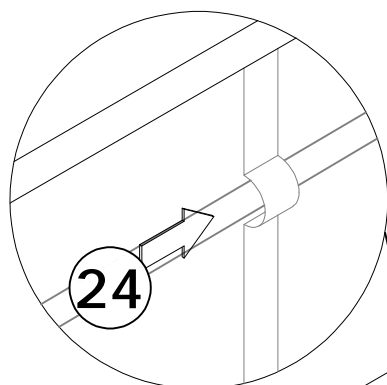
P



4 PCS

"The buckle of this lamp belt can be installed or not."

Need to put in the battery to use.

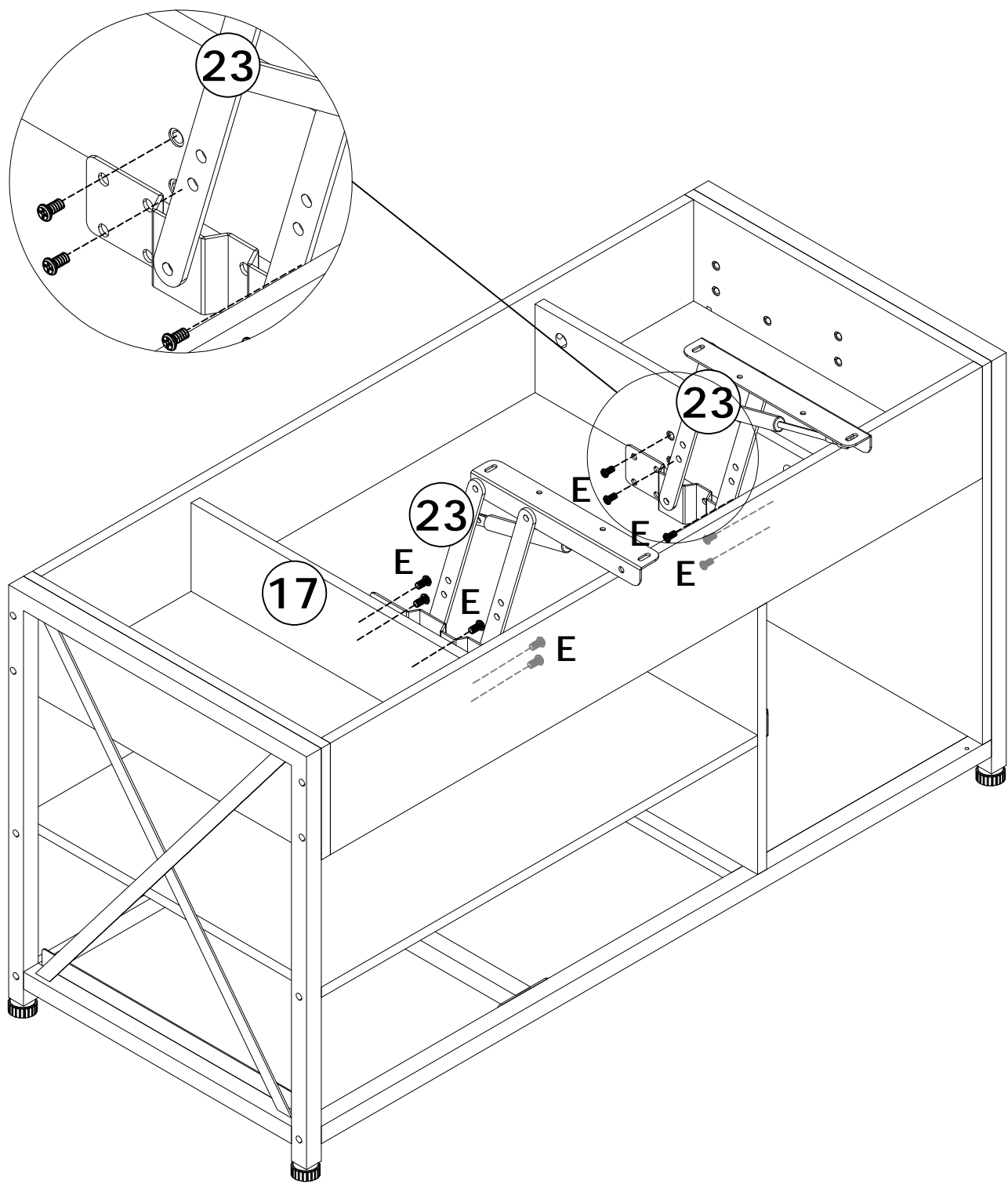


15

E M5x10



10 PCS

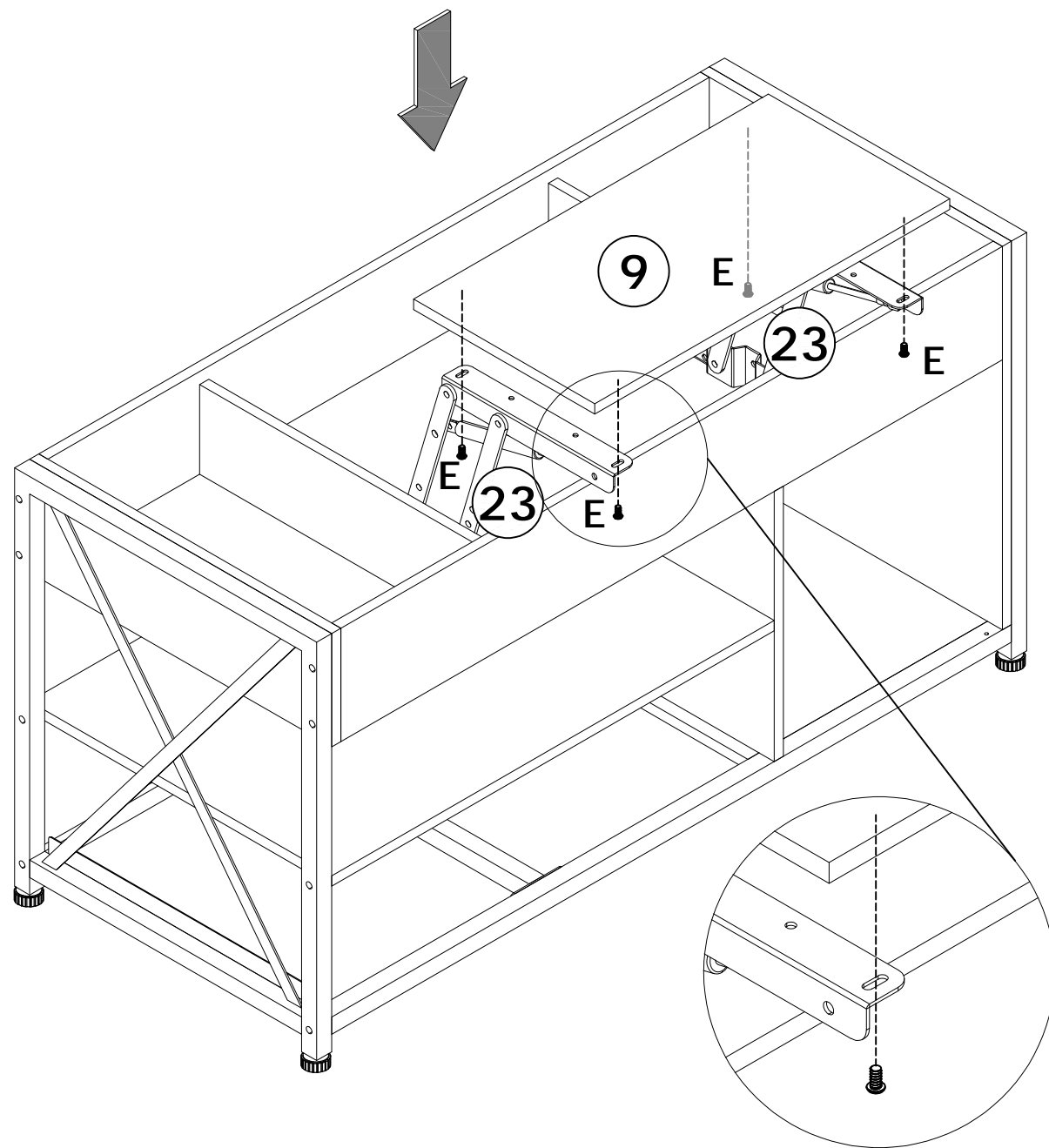


16

E M5x10



4 PCS



17

E M5x10

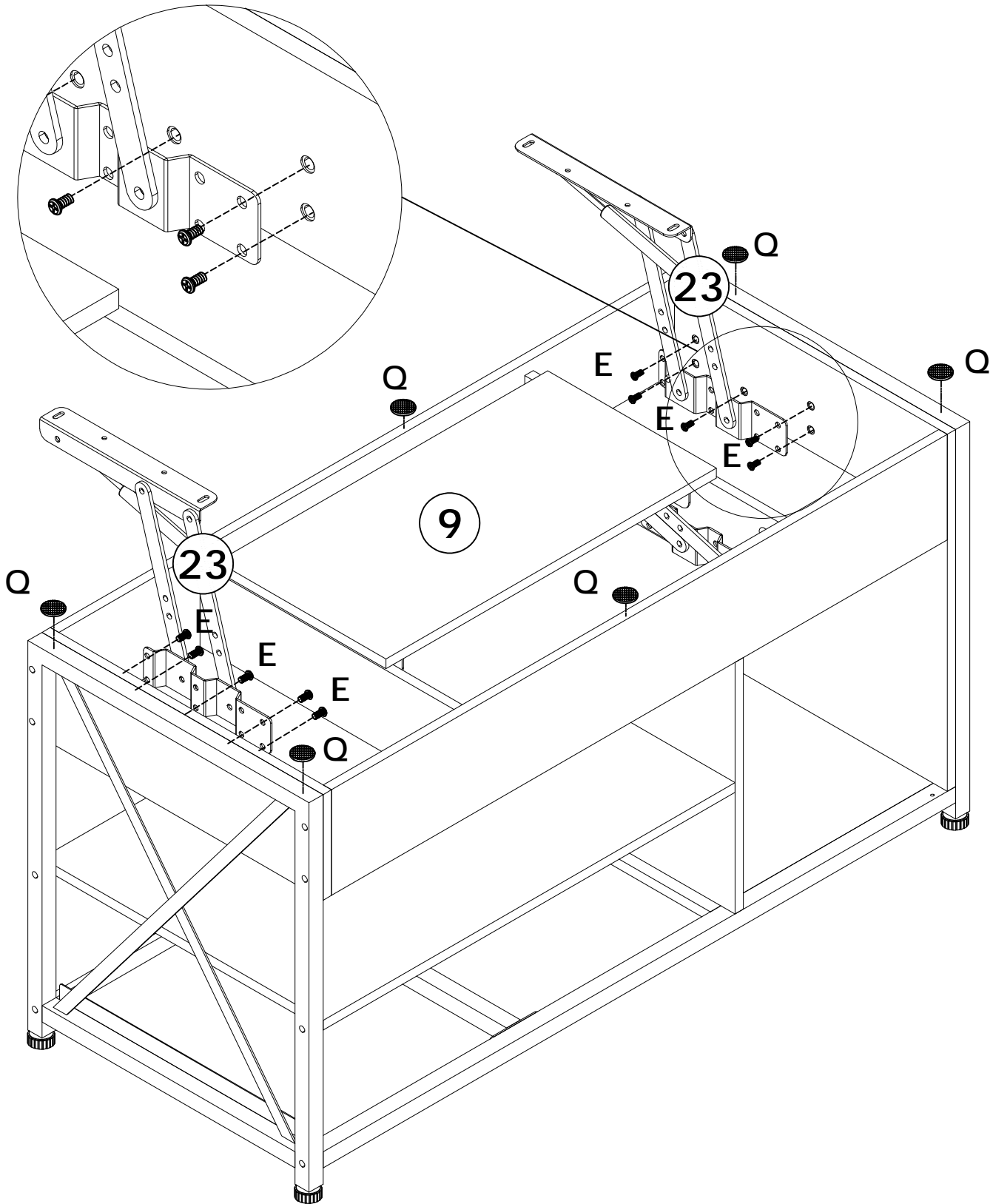


10 PCS

Q Ø15x3



6 PCS

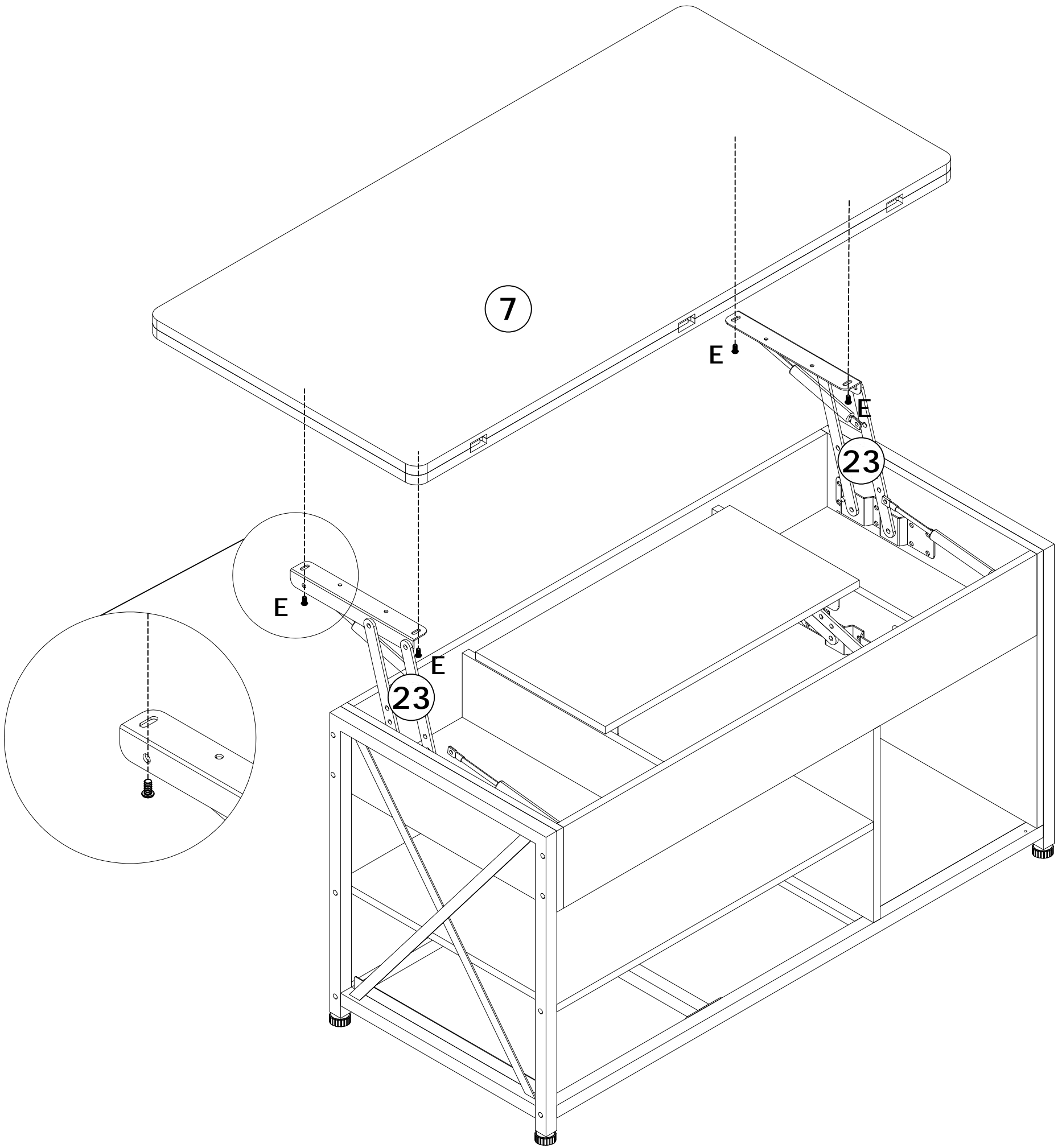


18

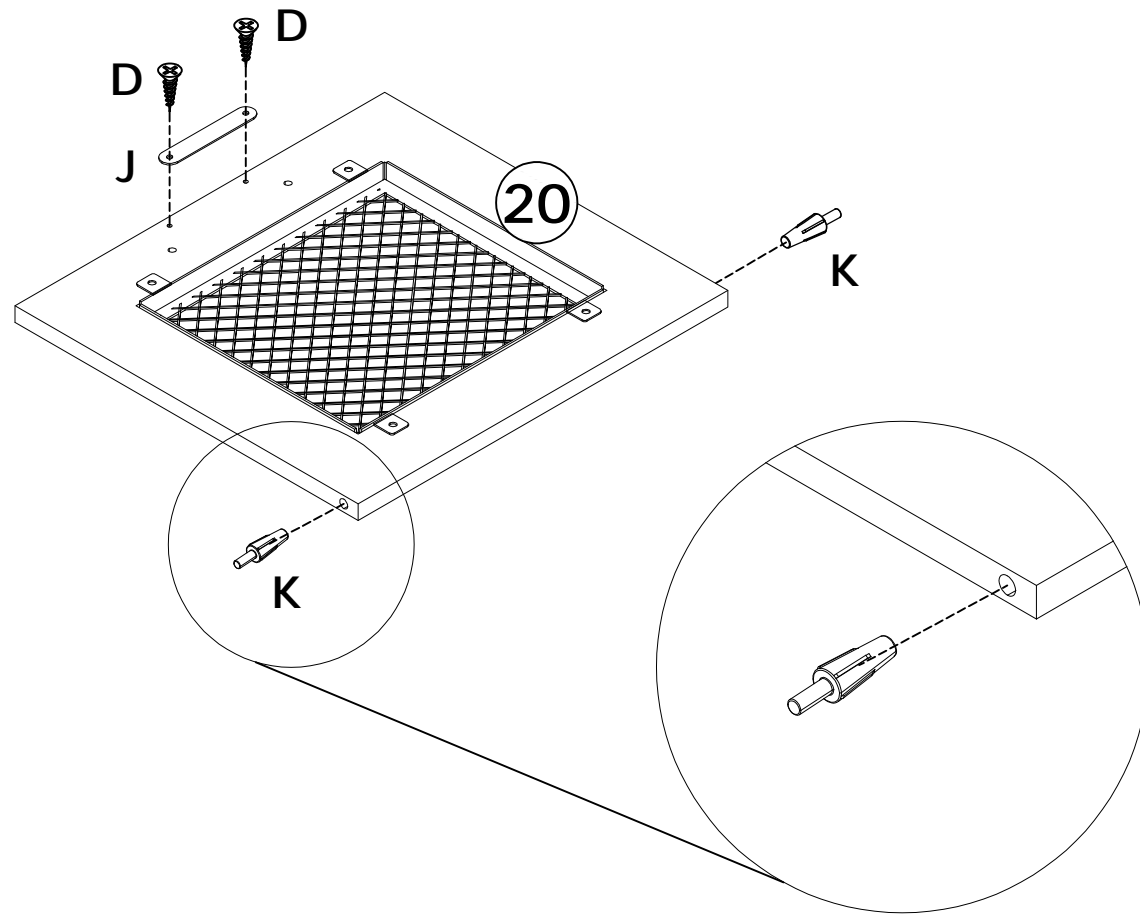
E M5x10



4 PCS



19

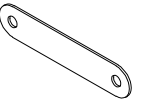


D M3.5x14



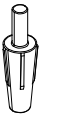
2 PCS

J Ø4x63



1 PCS

K



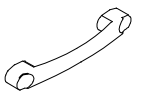
2 PCS

O M4x16

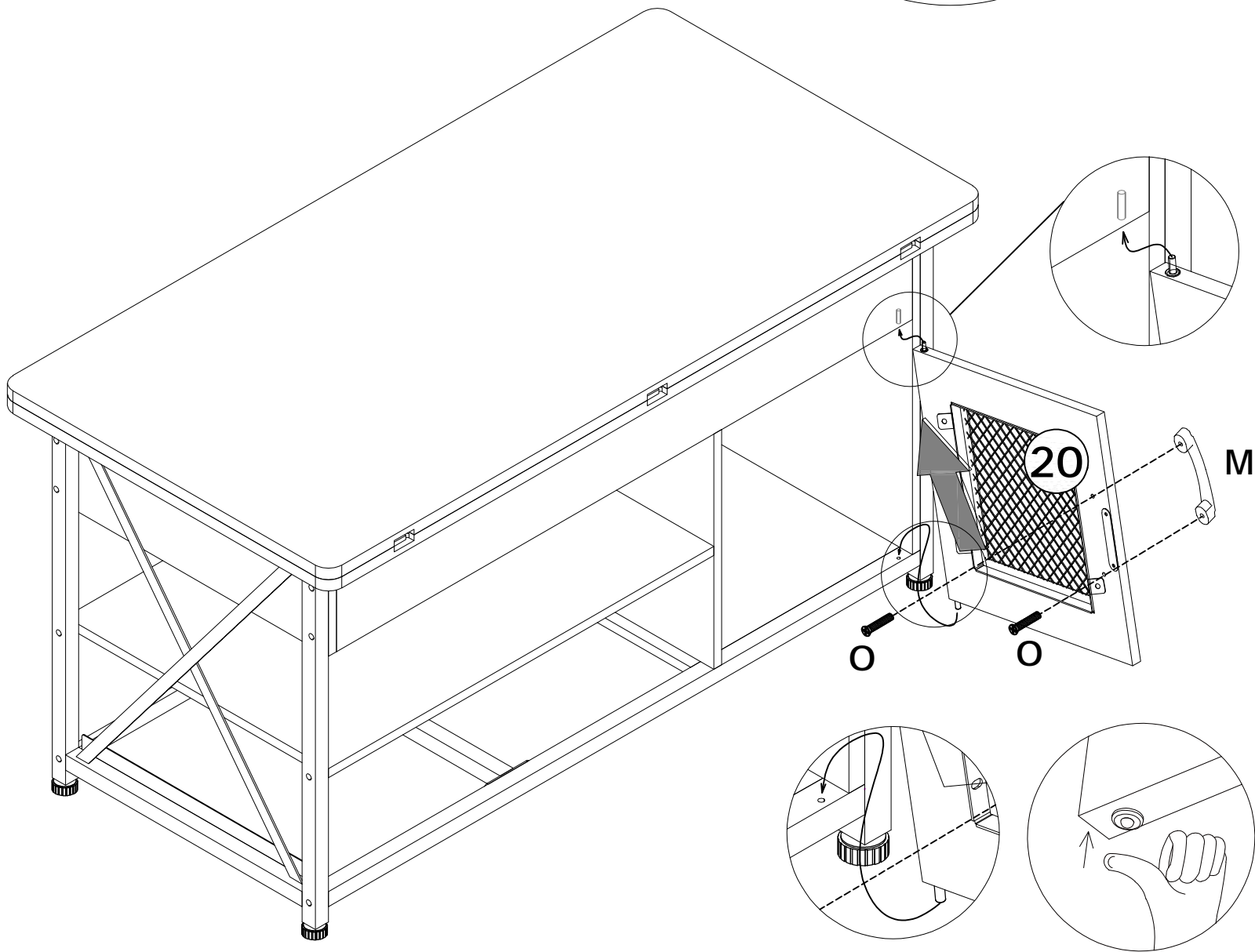


2 PCS

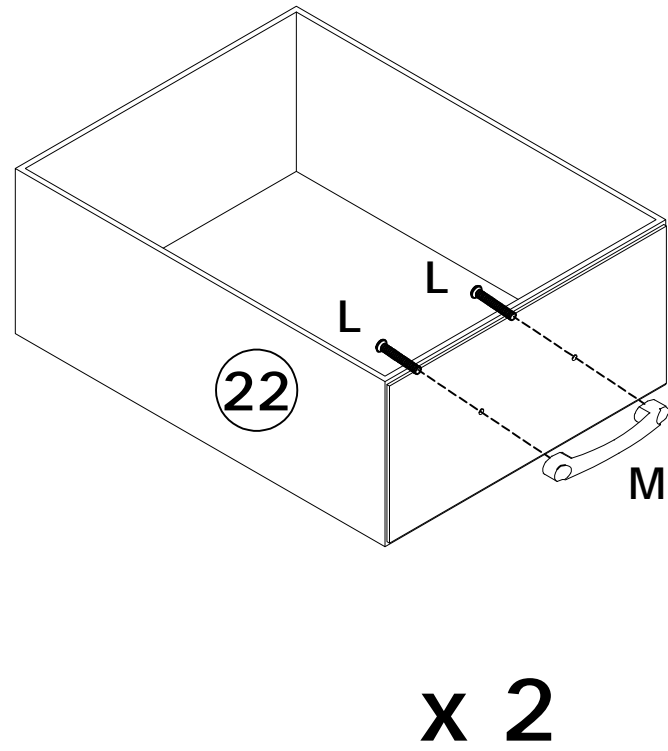
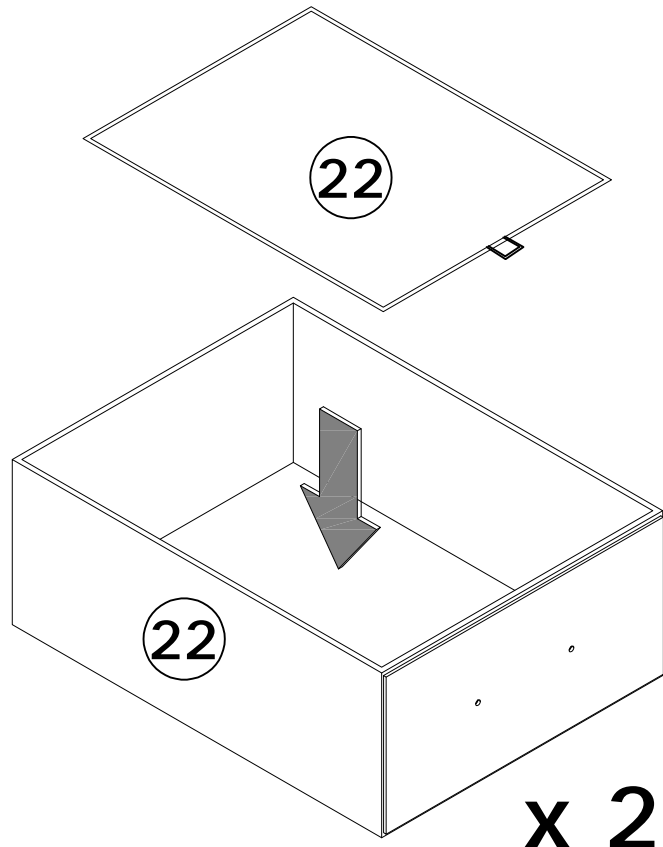
M 8335-96



1 PCS



20

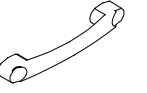


L M4x10

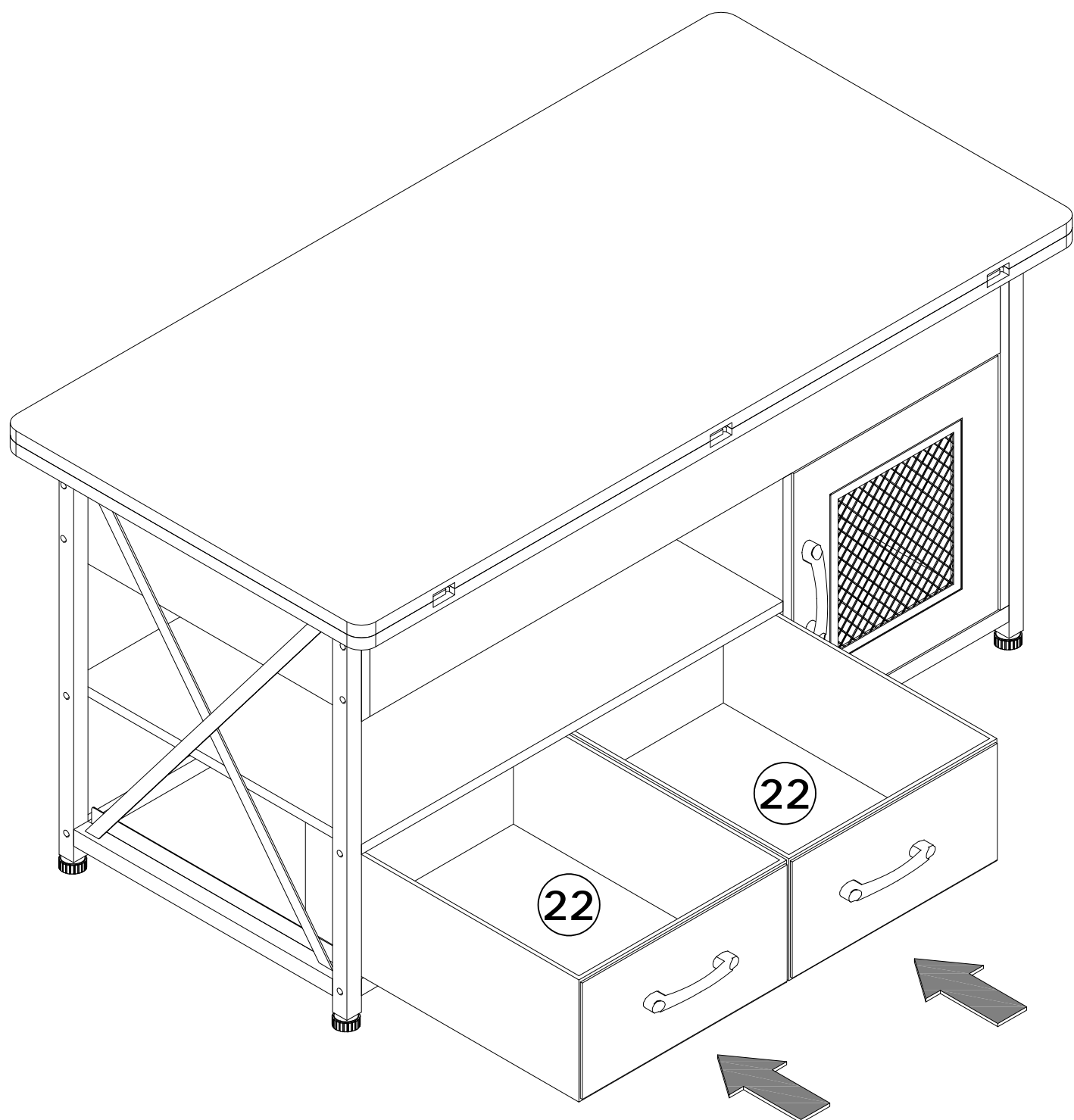


4 PCS

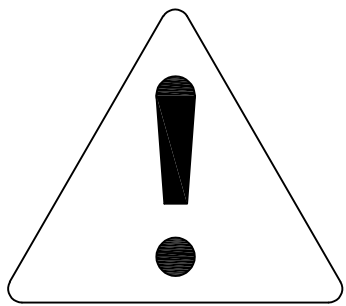
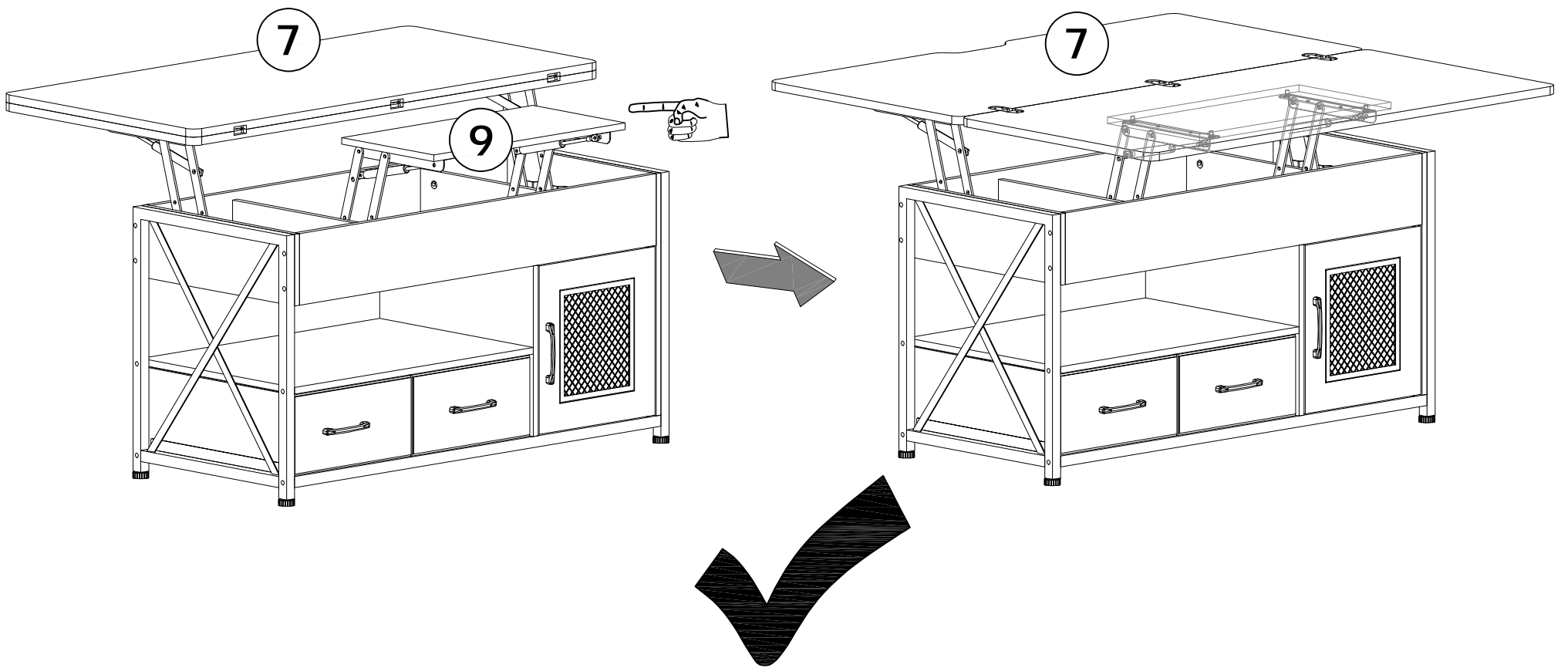
M 8335-96



2 PCS



21



Note: Before You Open the top of Table No.7, you should raise table No.9 as a support, otherwise, table No.7 will be out of balance and the hinge position will be damaged!

