

INSTALLATION INSTRUCTION

HSK-WC-002

Dimension: 80.8×96.1×15.7inch


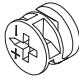

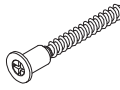
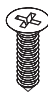



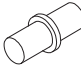


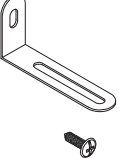
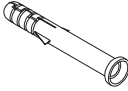
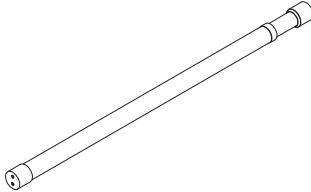
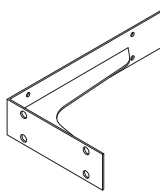


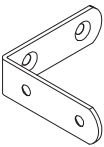
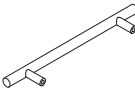

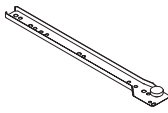
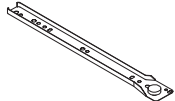
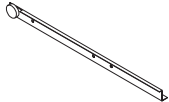
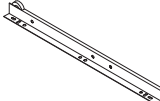
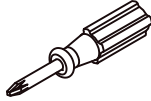

Notice:

1. Follow the installation instructions. Please confirm all accessories are preset before installation.
2. Do not fully tighten the screws during initial assembly. Fully tighten screws only once all pieces which are correctly assembled.
3. If you have any problems during installation, refer to two solutions: Follow the installation video tutorial on the Amazon product page or contact our customer service.

Return Policy:

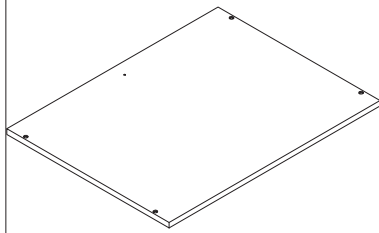
We believe you will absolutely love your new item. But if for some reason you want to return, please contact us directly before you decide to return your product. Our customer service team can answer most concerns and assist you with any questions you may have about your new item, please email us firstly at:

Servicehomelovers@hotmail.com

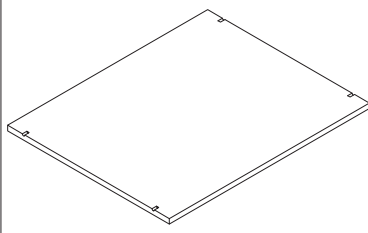
		 Ø6*30	 M5*40	 M3*12	
A×12	B×22	C×10	D×32	E×36	F×4
 M3.5*30	 Ø20				 M3.5*10
G×12	H×54	I×8	J×6	K×10	L×1
 M4*35			 O1×2pcs	 O2×8pcs	 M3.5*12 O3×8pcs
M×19	N×3		O×3		
	 M4*10	 M3.5*12			
P×12	Q×3	R×36	CL×3	CR×3	DL×3
					
DR×3	TOOL				
 5PCS	Spare parts for Pre-inserted Nuts, which are used for fastening "A" screw in case of missing inserting nuts by workers.				

Accessories List

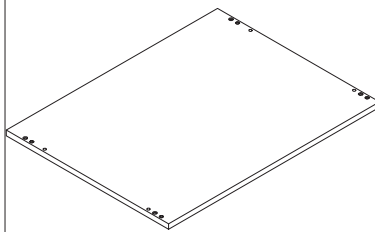
1



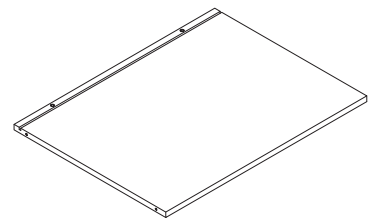
2



3

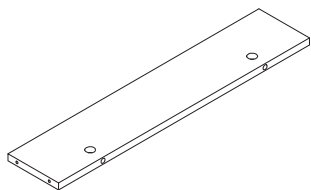


4

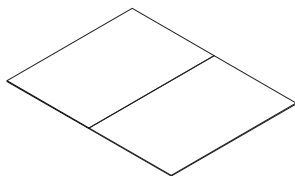


2 PCS

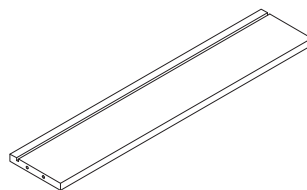
5



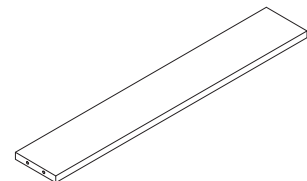
6



7

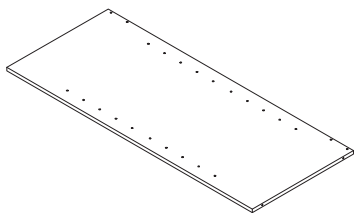


8

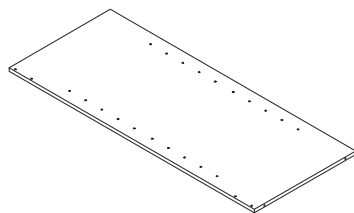


3 PCS

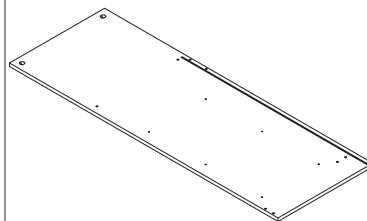
9



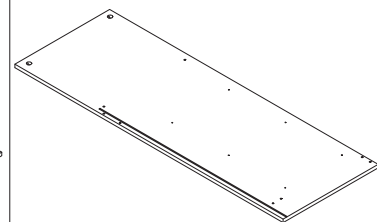
10



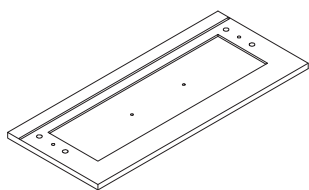
11



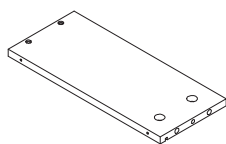
12



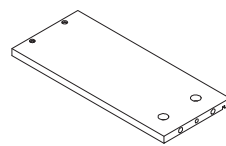
13



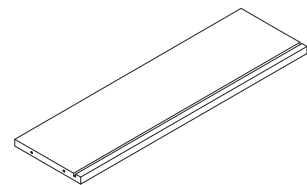
14



15



16



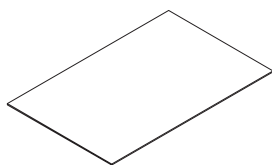
3 PCS

3 PCS

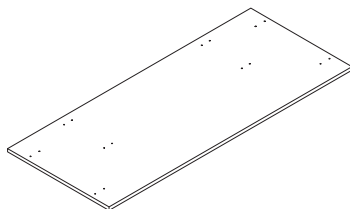
3 PCS

3 PCS

17

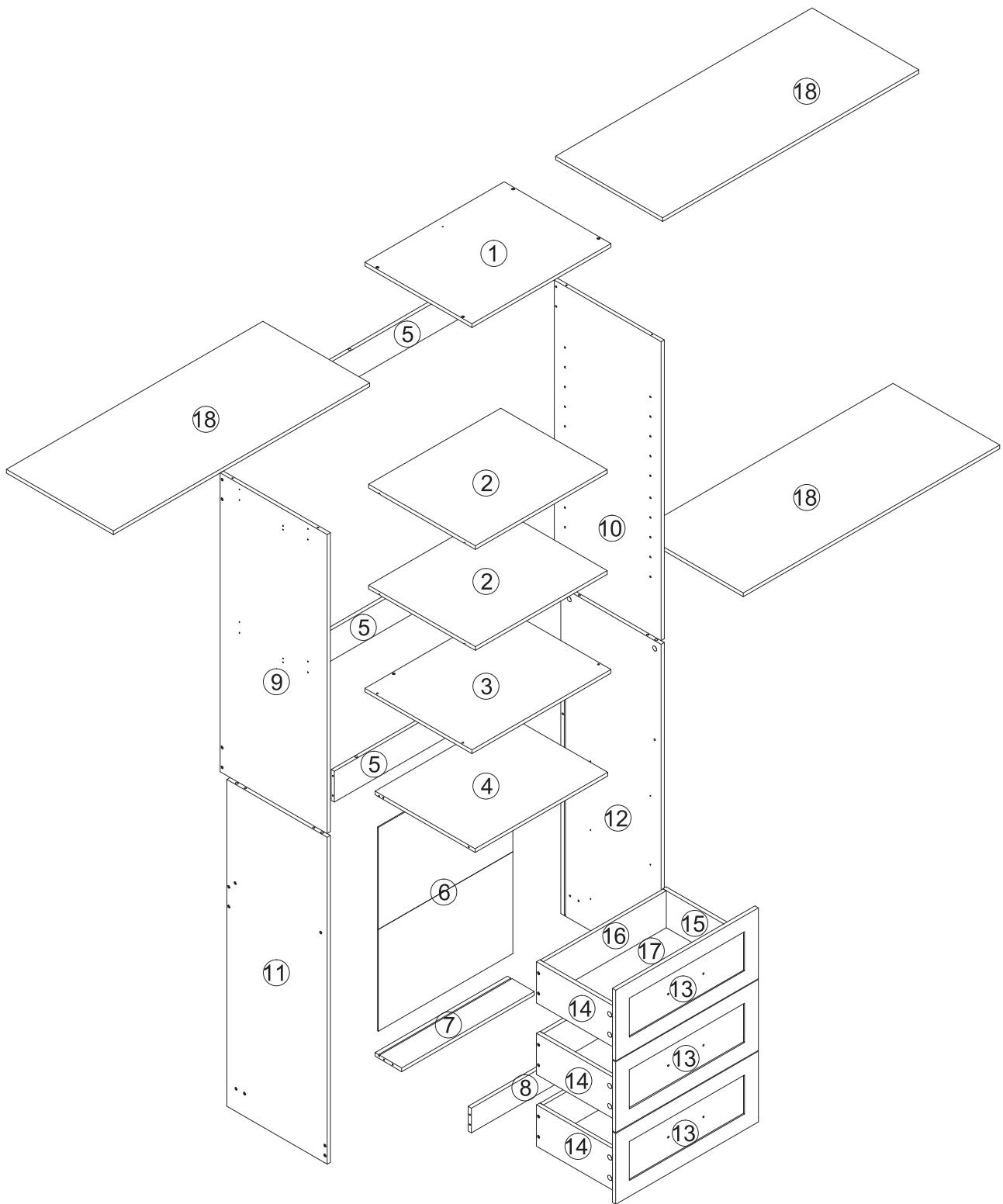


18



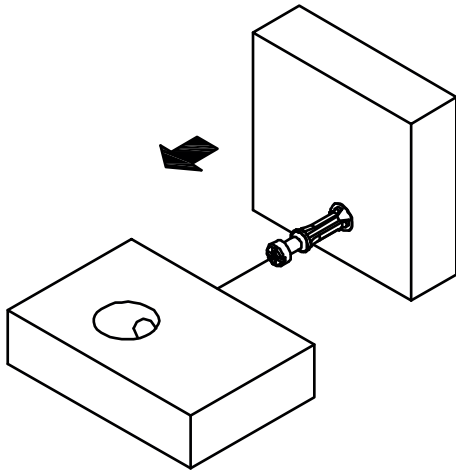
3 PCS

3 PCS

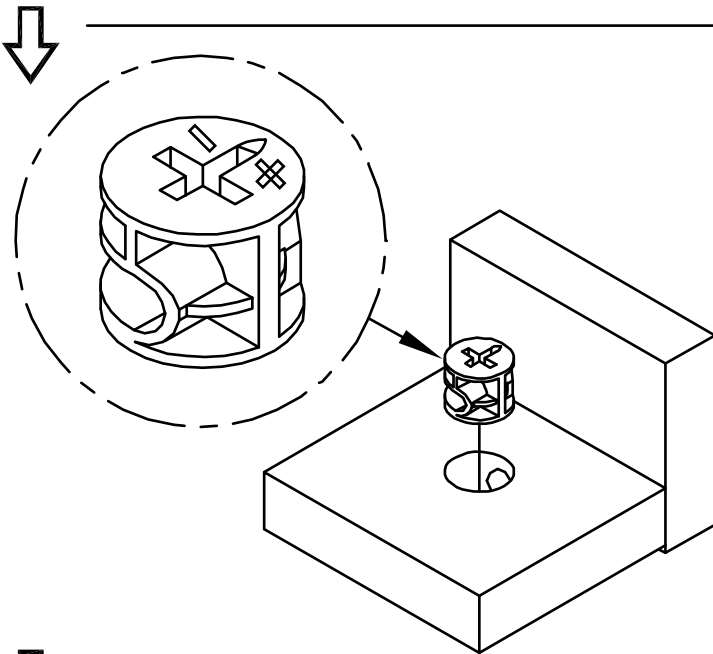


Explosive View

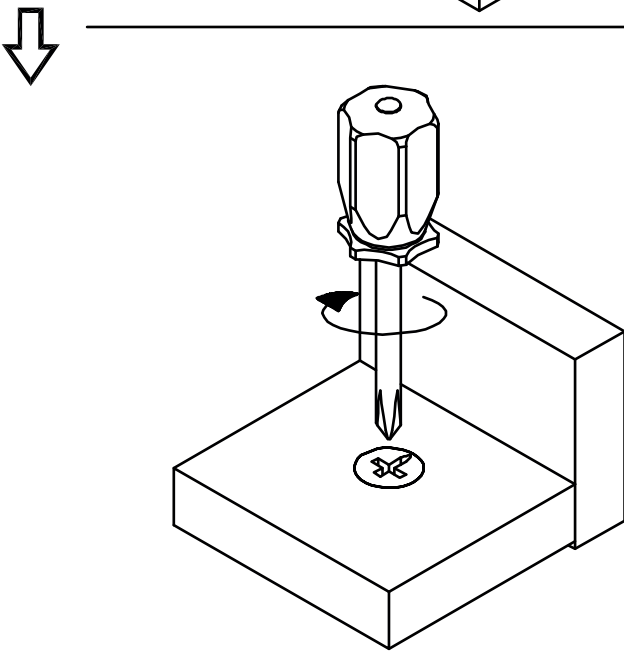
Cam Lock Fastening System



1. Connect the two boards -Insert the long screw "A" into the holes on the other board.

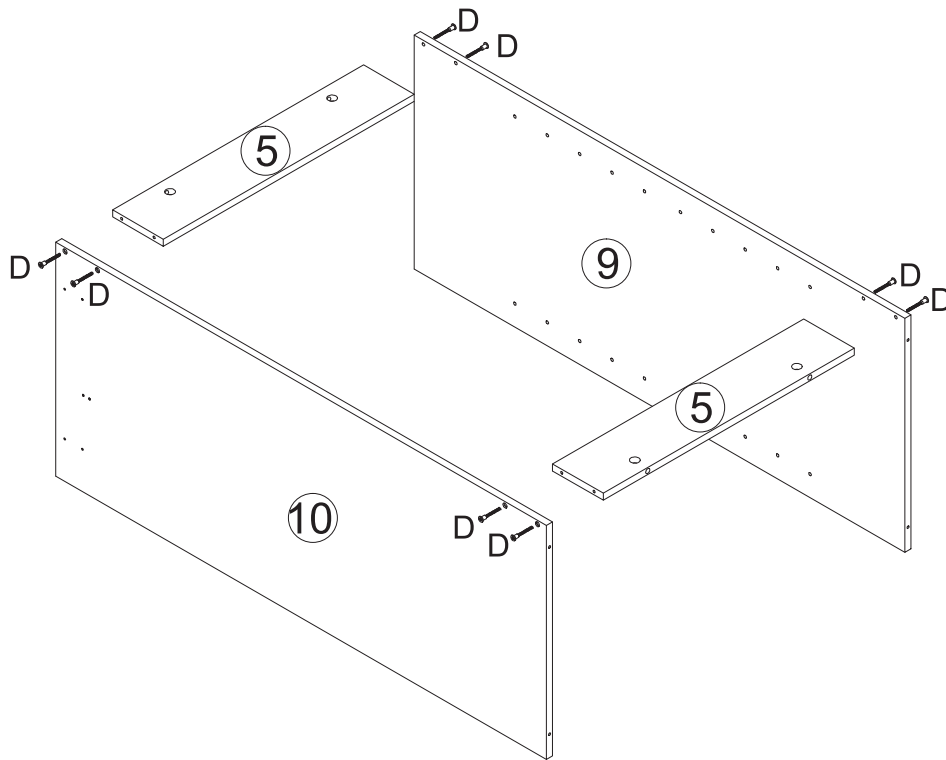


2. You can see the triangle "△" between "△" on hardware "B", insert the "B" as the image shows, please kindly note the direction of "△".



3. Use the tool to lock it.

1

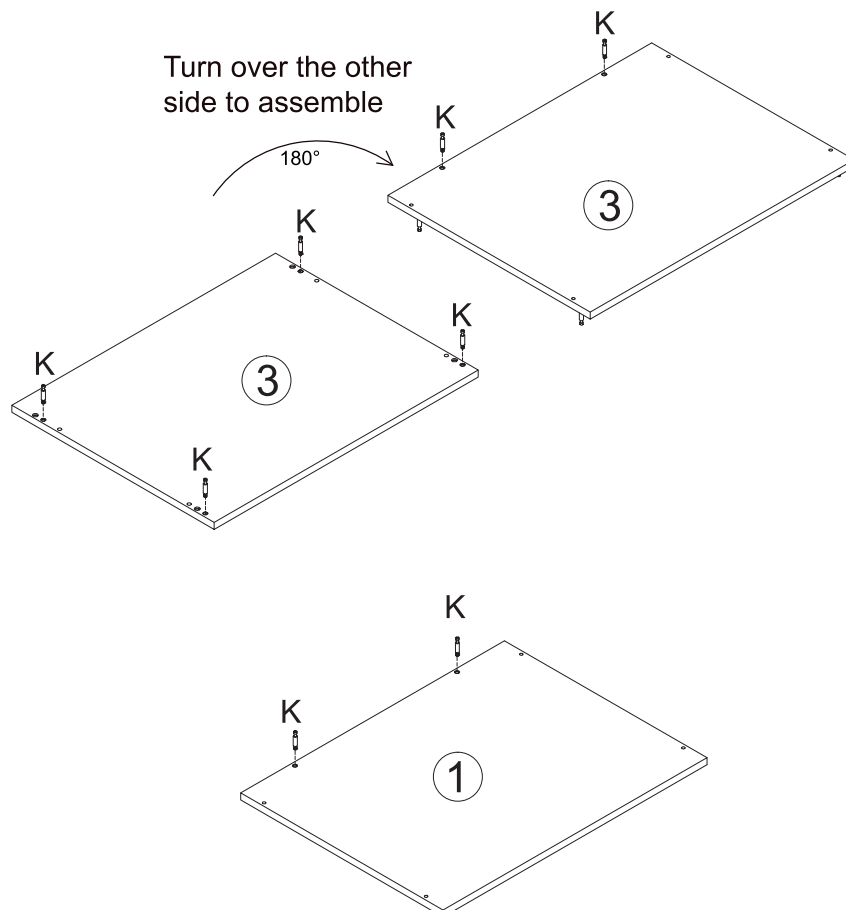
**D**

M5*40



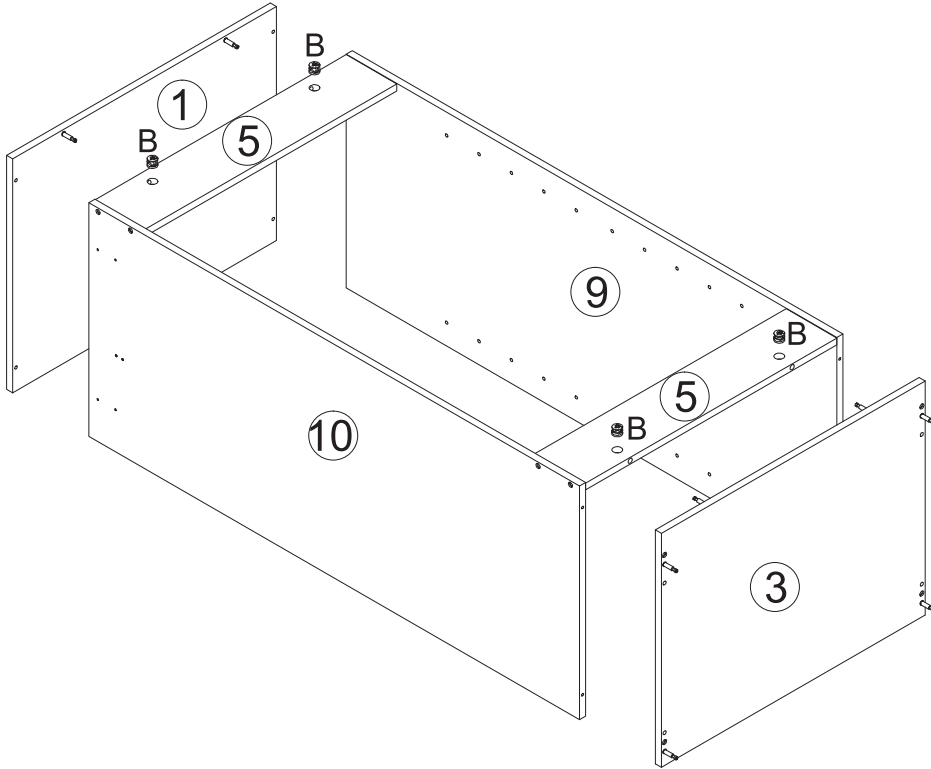
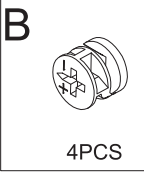
8PCS

2

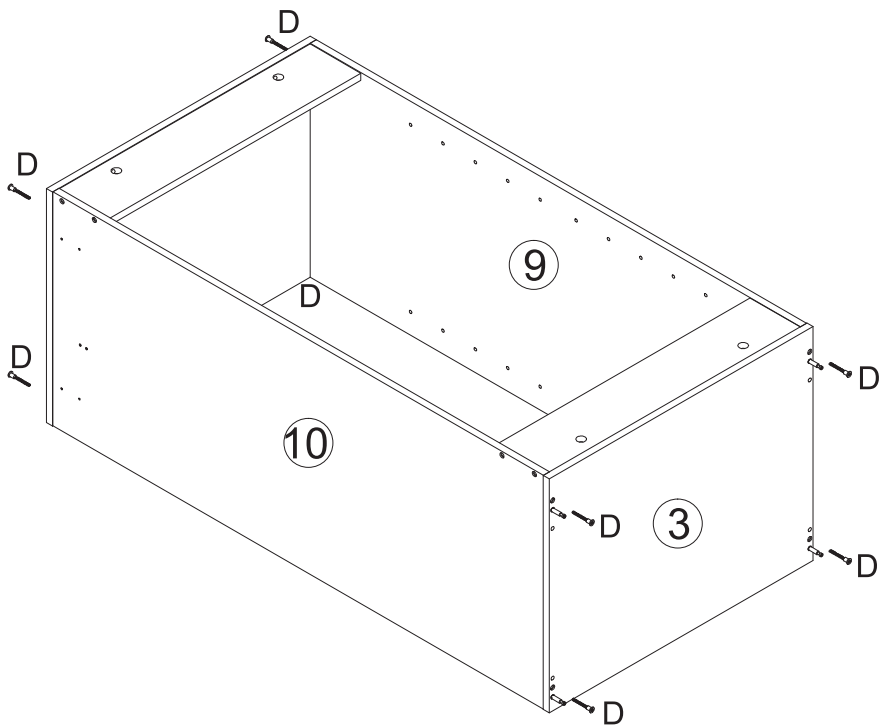
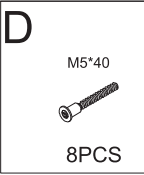
**K**

8PCS

3



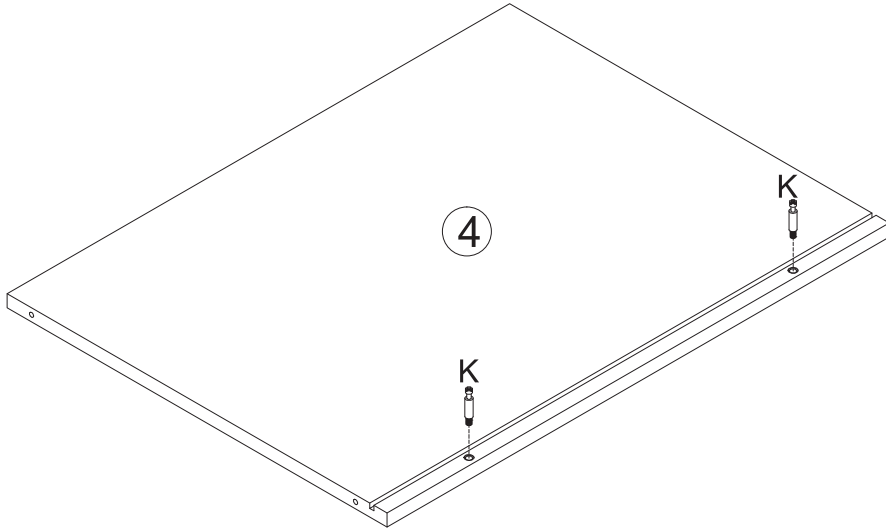
4



5

K

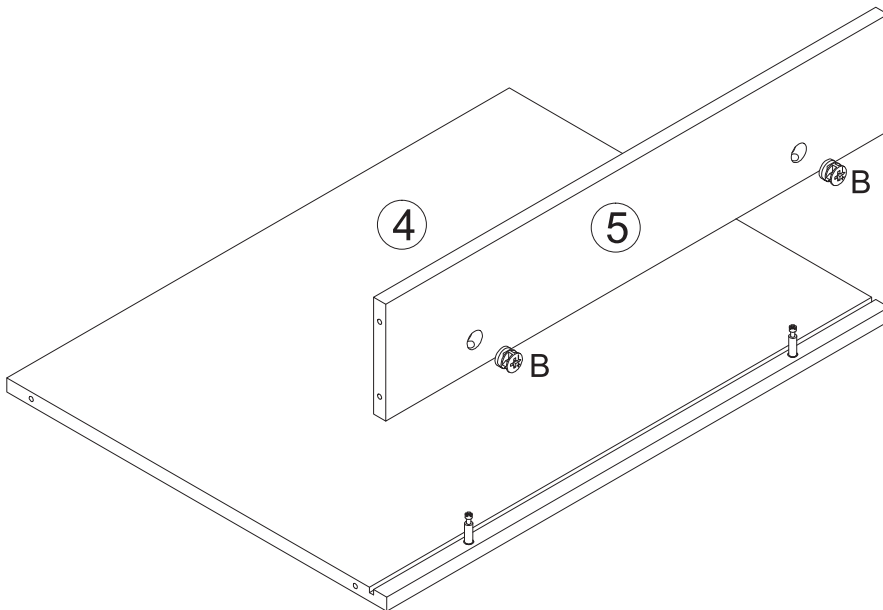
2PCS



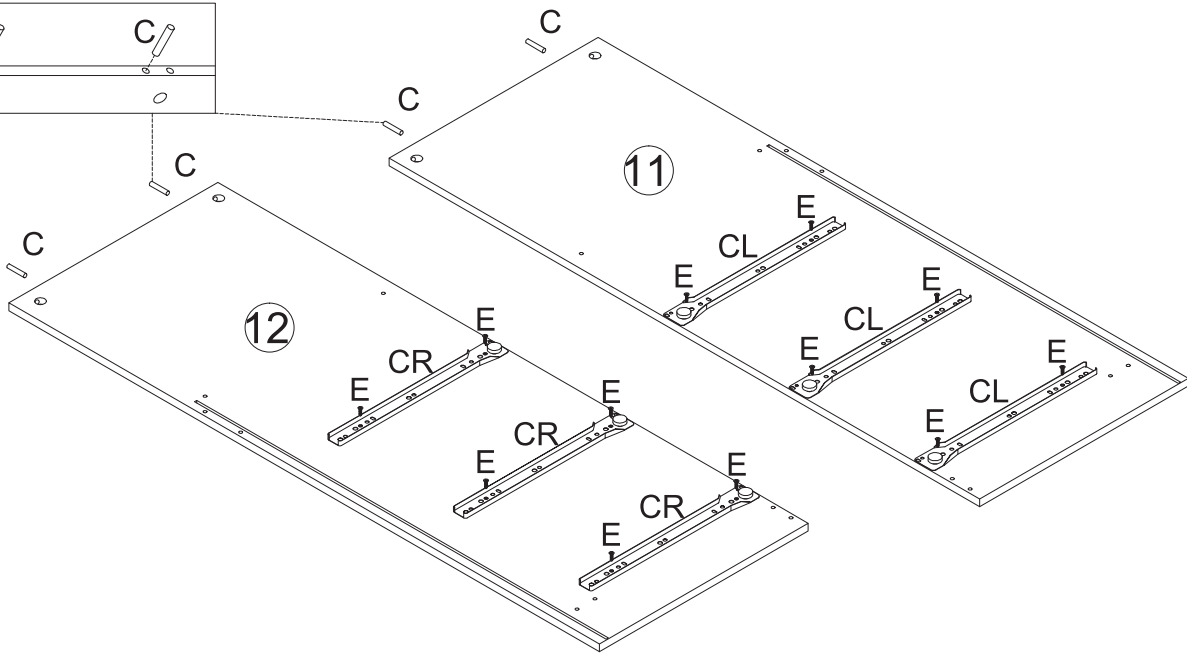
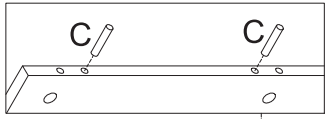
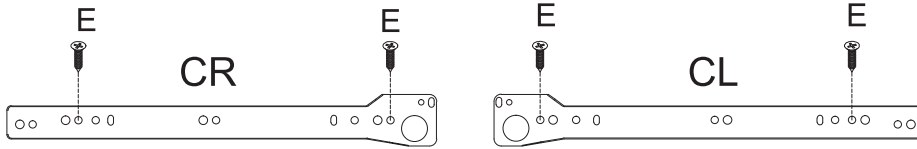
6

B

2PCS



7



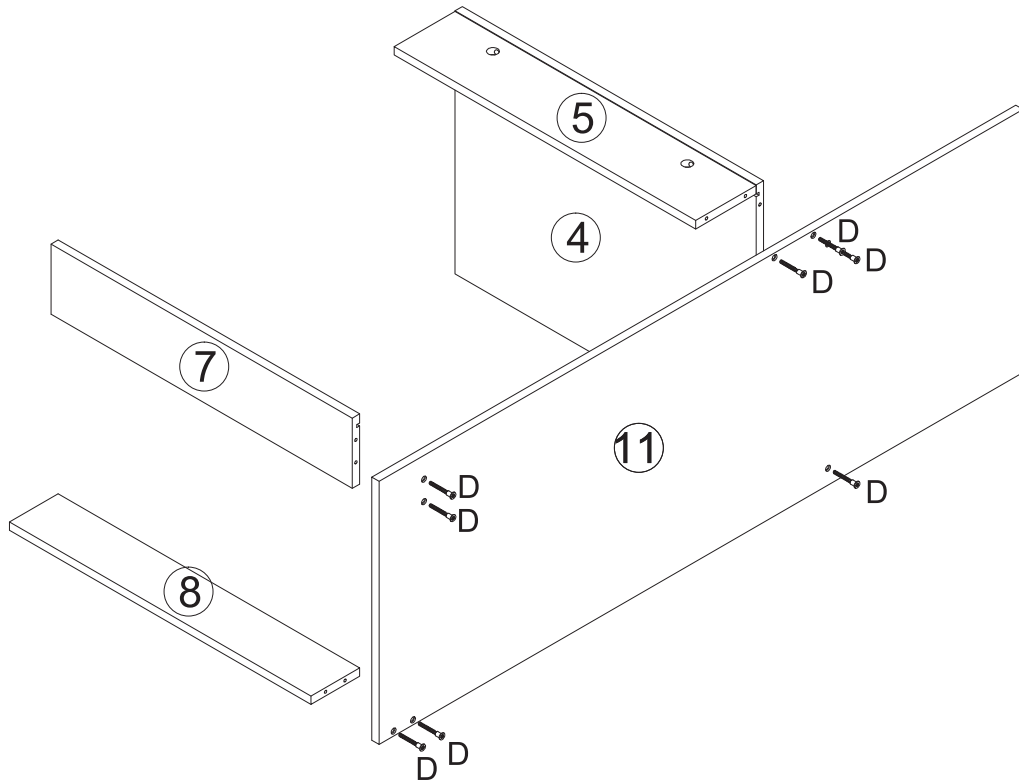
C Ø6*30
4PCS

E M3*12
12PCS

CL
3PCS

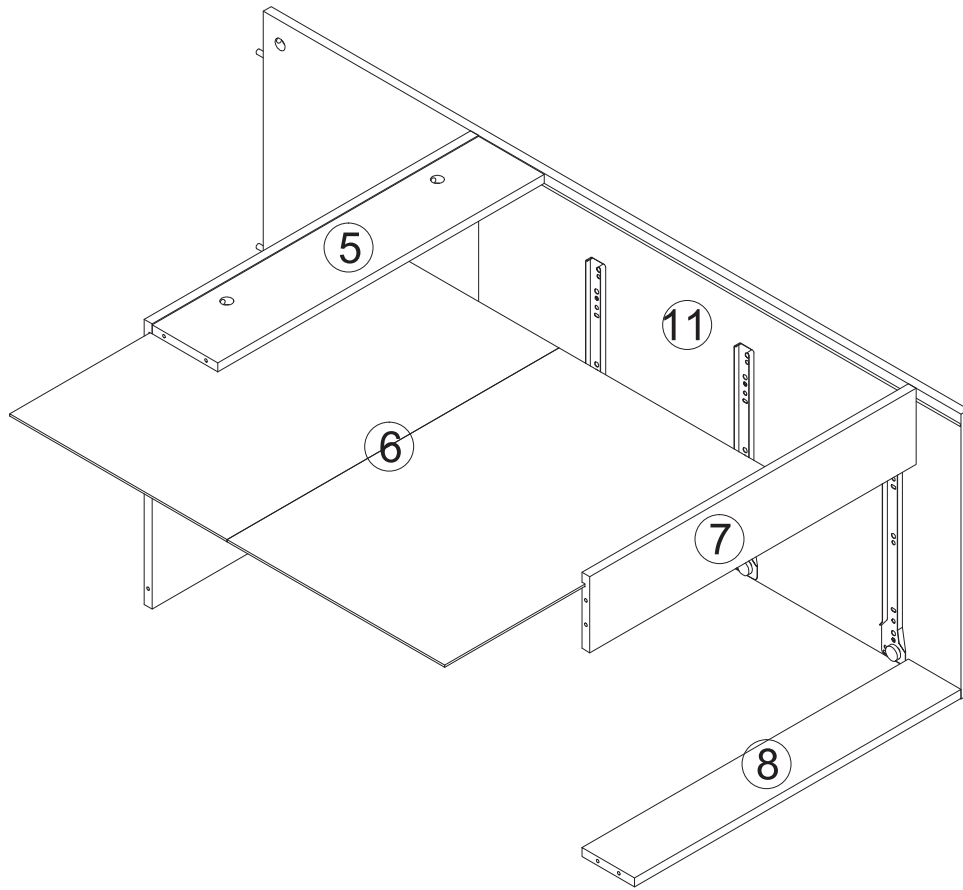
CR
3PCS

8

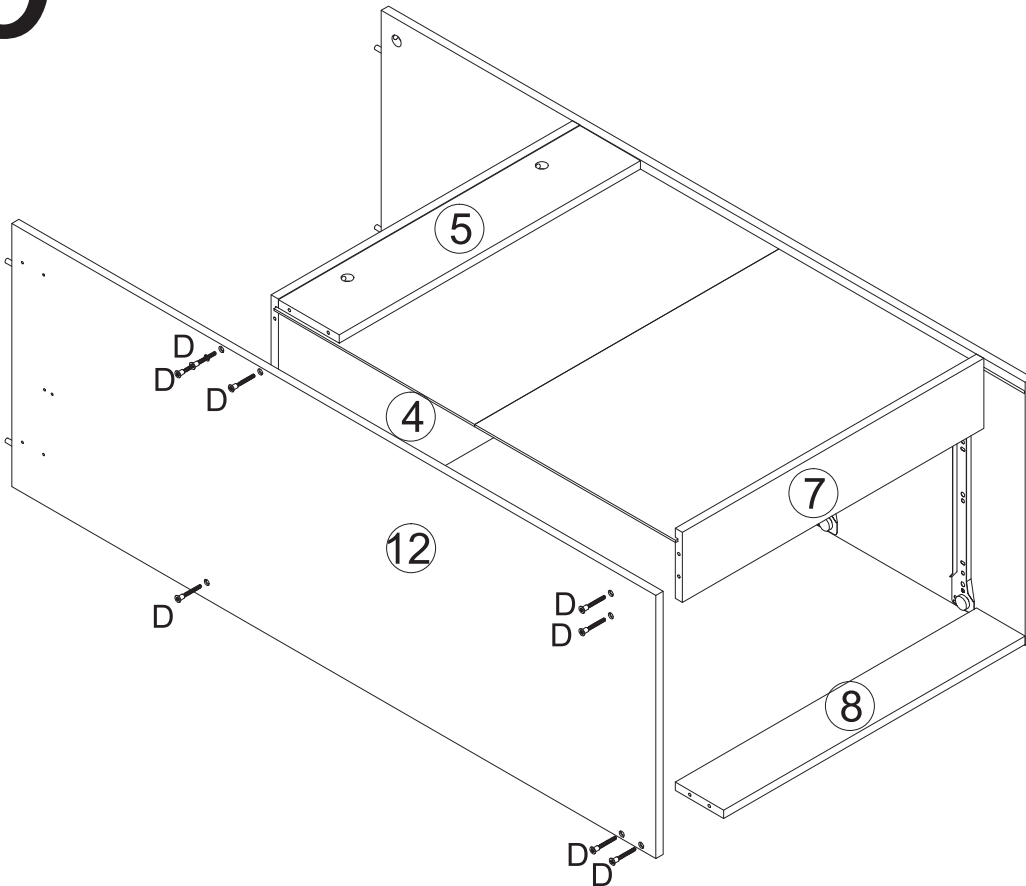


D M5*40
8PCS

9



10



D

M5*40



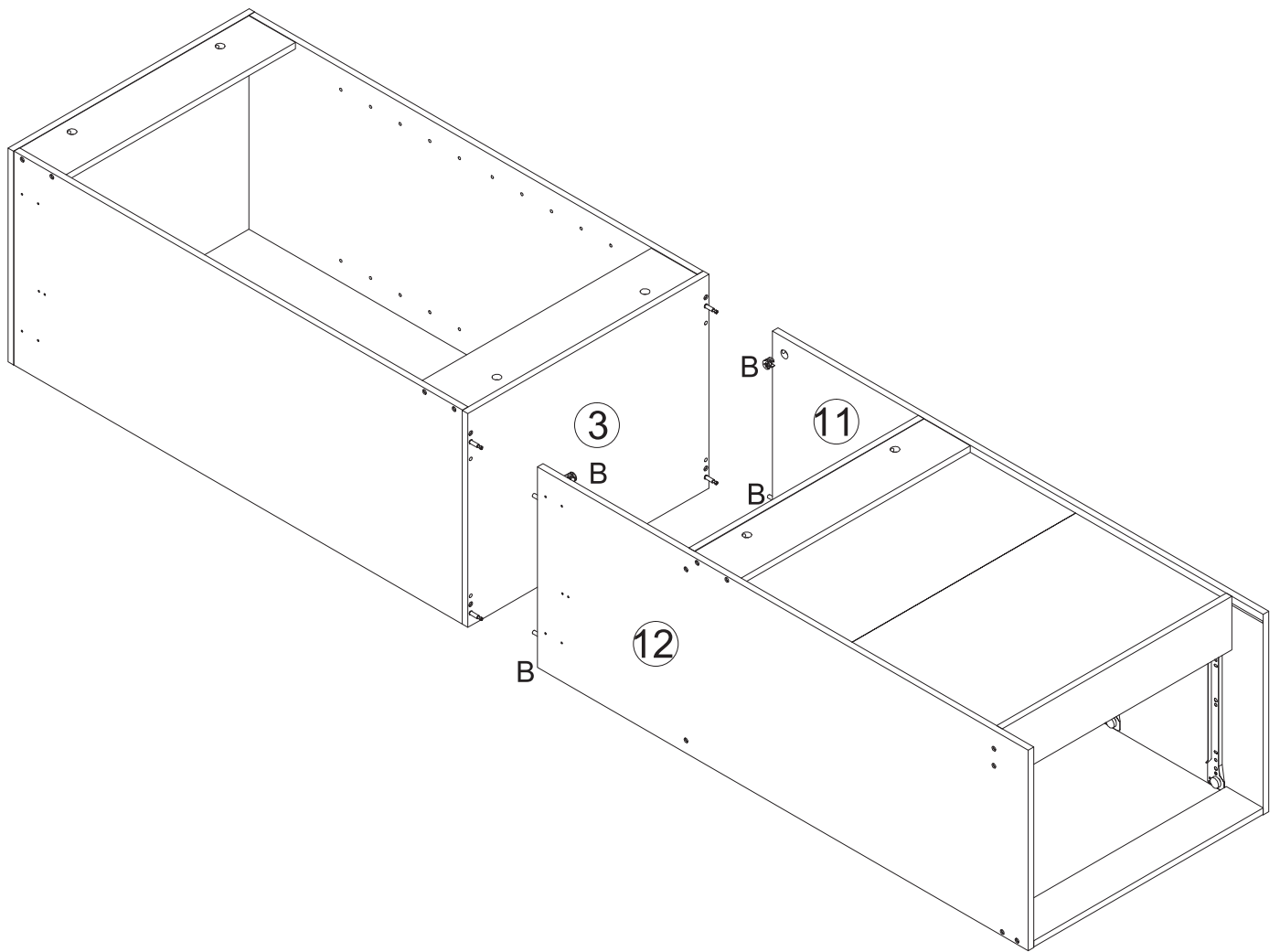
8PCS

11

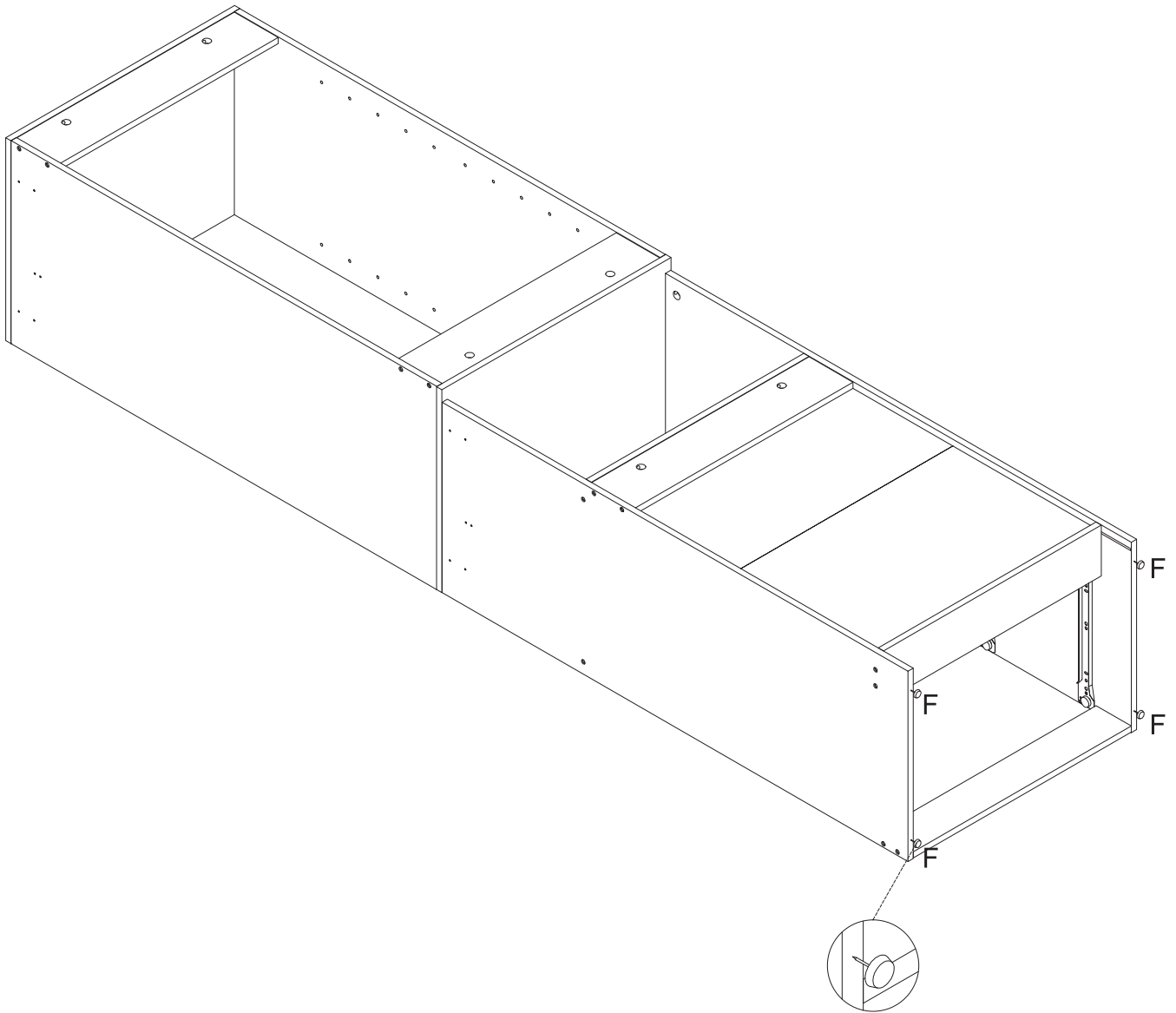
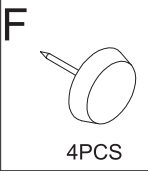
B



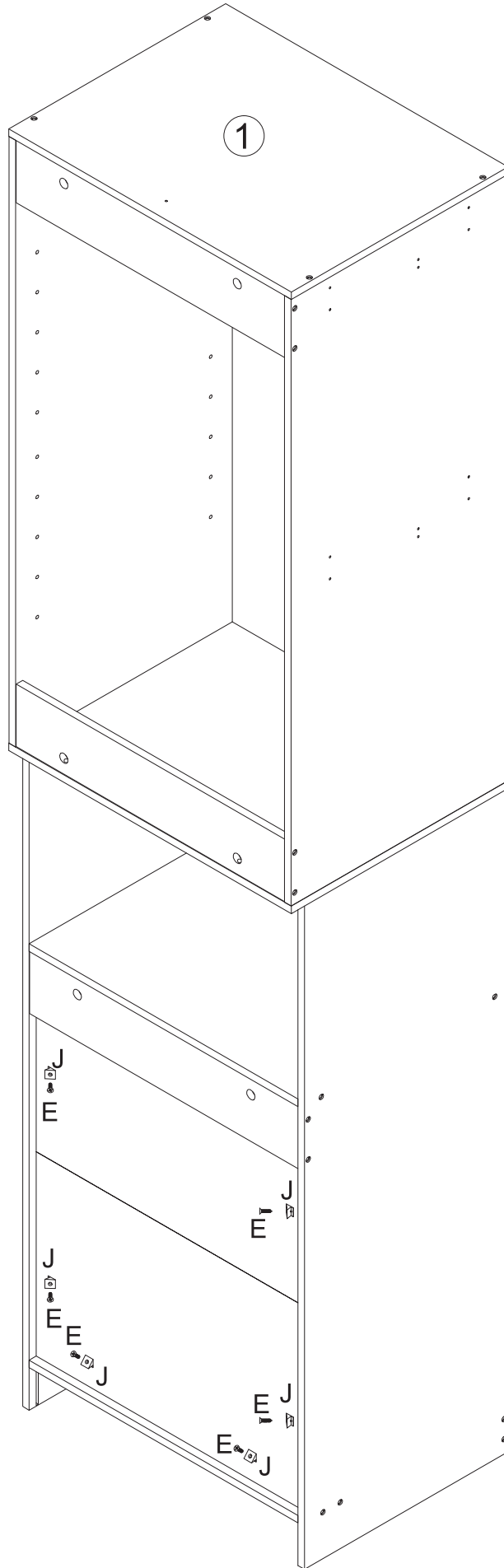
4PCS



12



13



E

M3*12



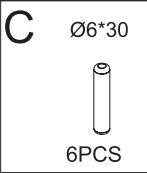
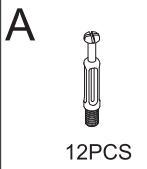
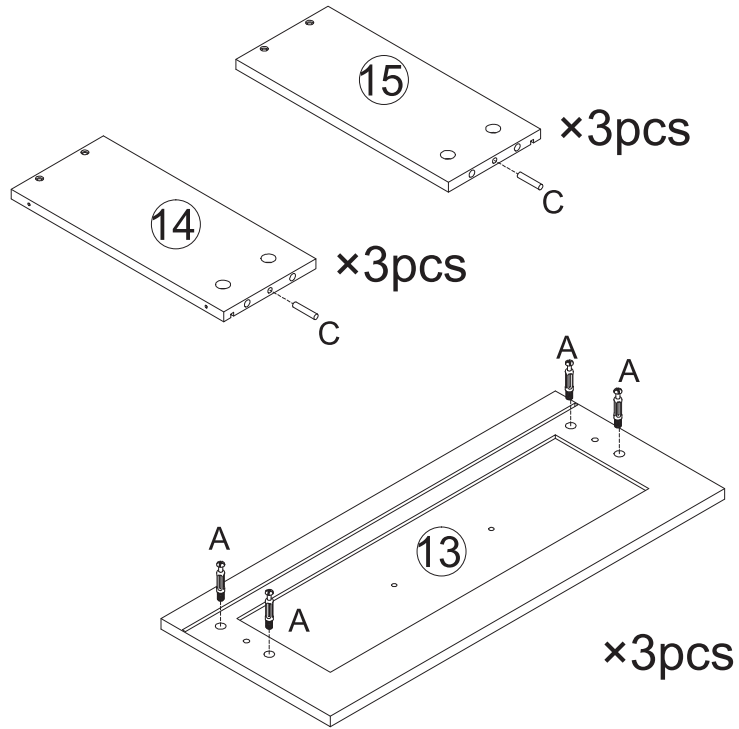
6PCS

J

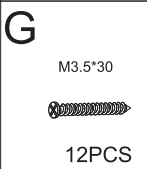
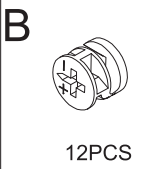
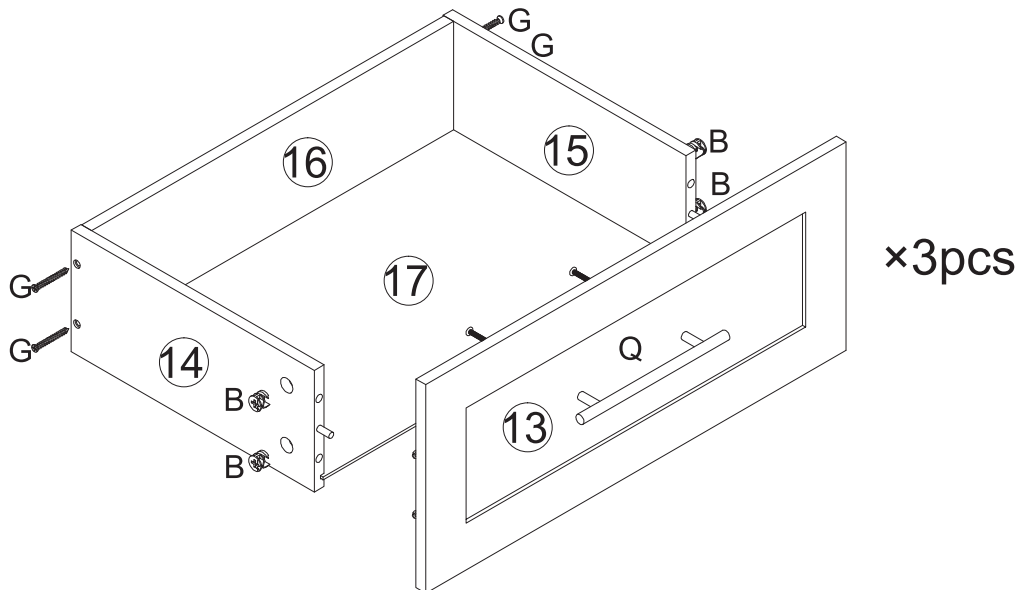


6PCS

14

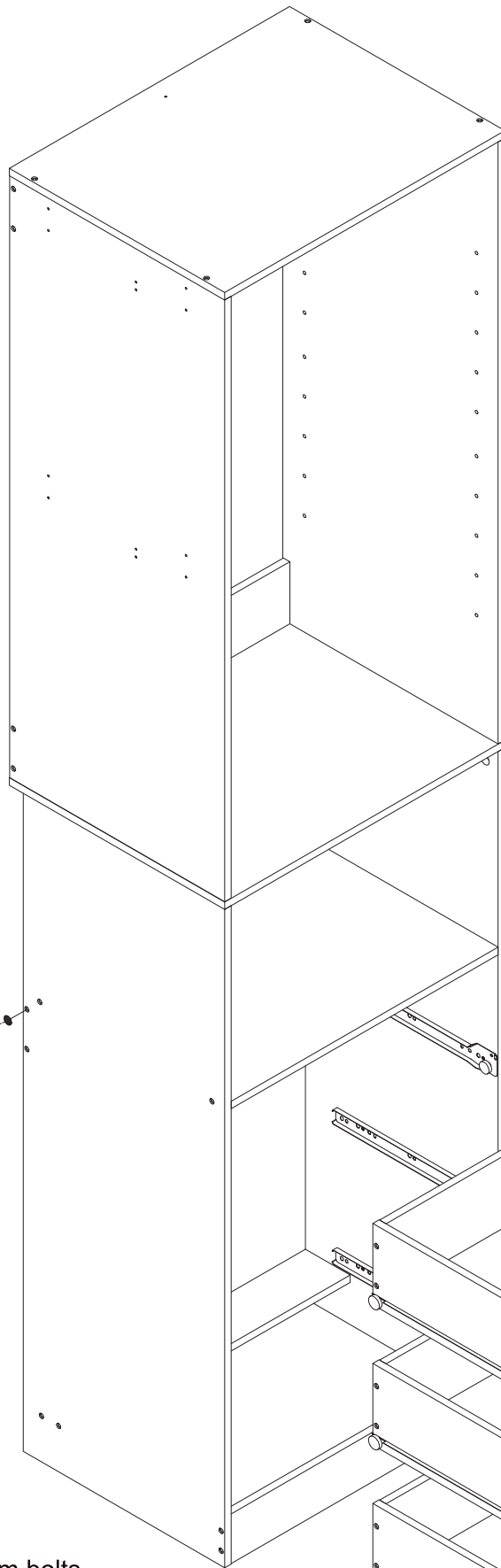


15

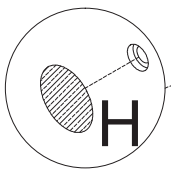
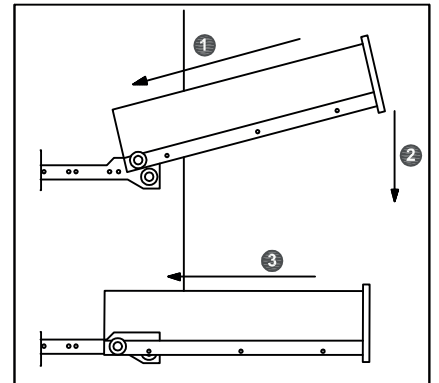


17

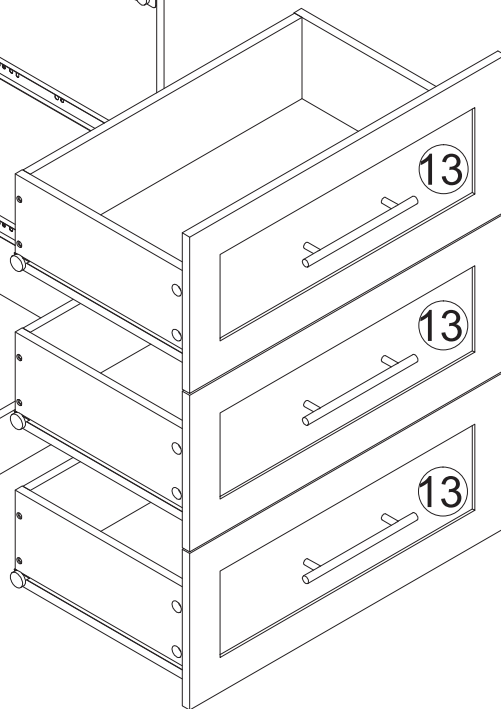
H
Ø20
54PCS



Insert the drawers obliquely



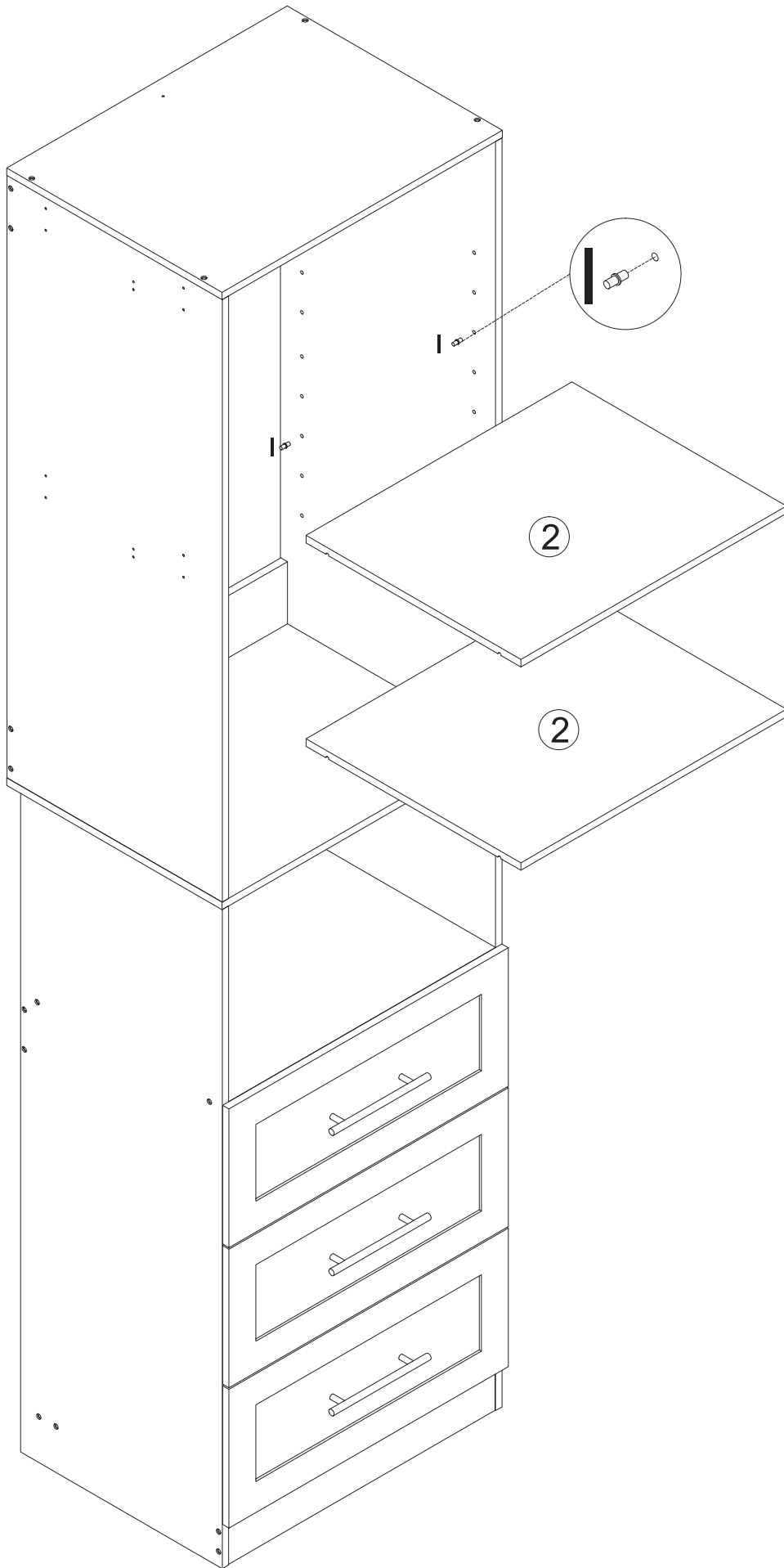
Sticking O sticker on all cam bolts makes this vanity set perfect.



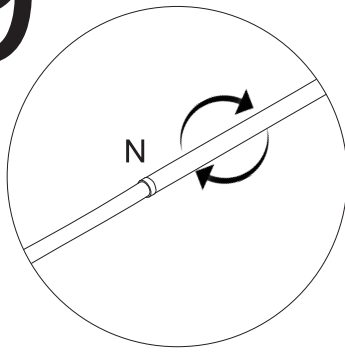
18



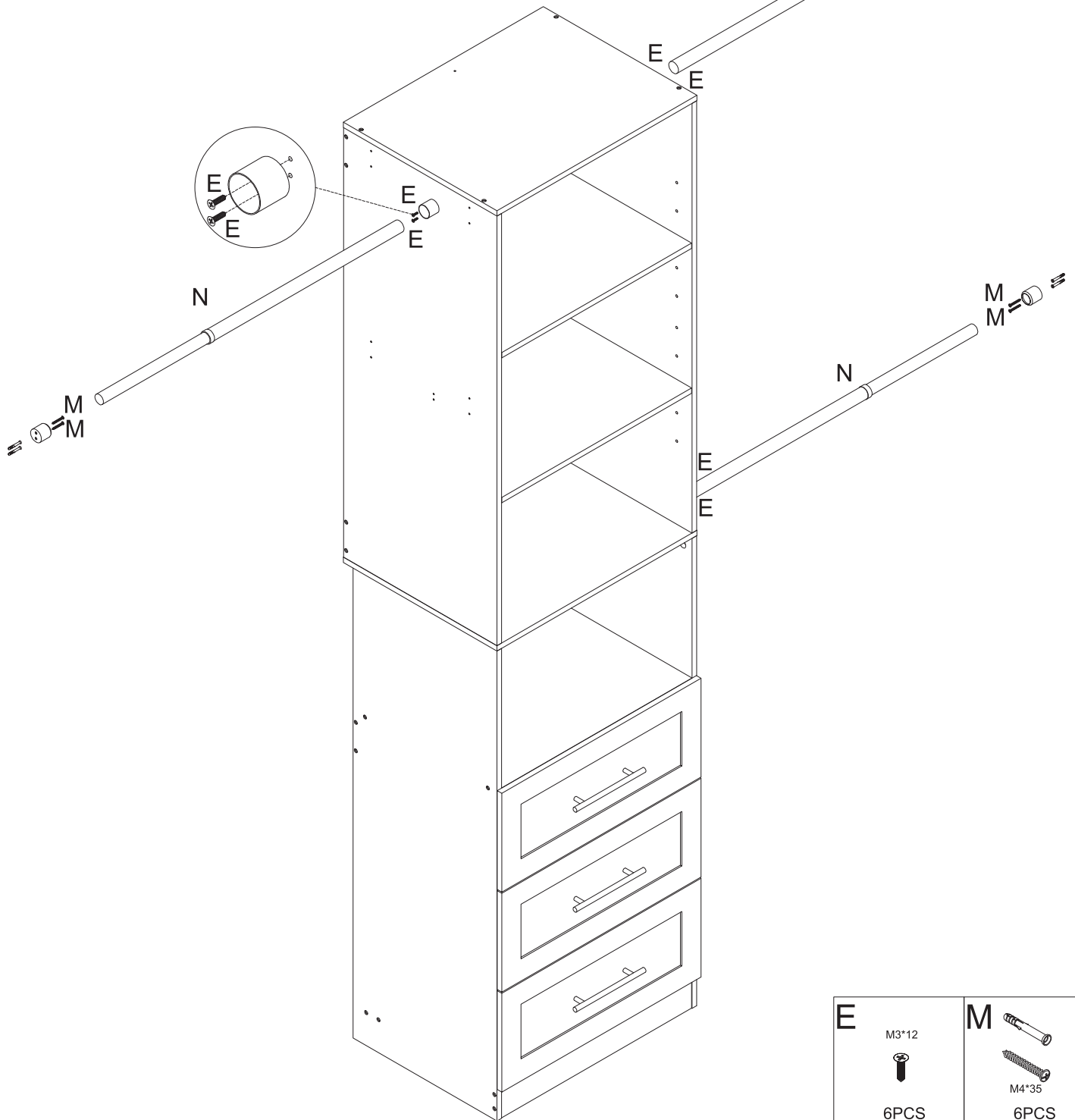
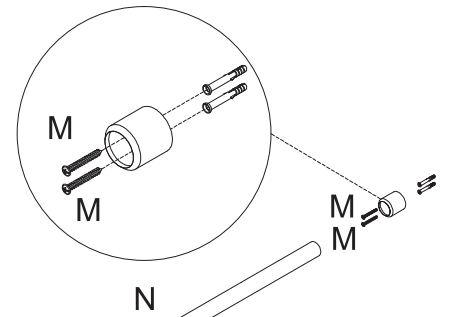
8PCS






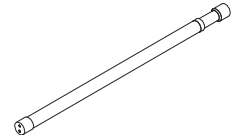
19



Rotate the rod clockwise to secure it, and rotate it counterclockwise to loosen it.




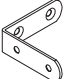


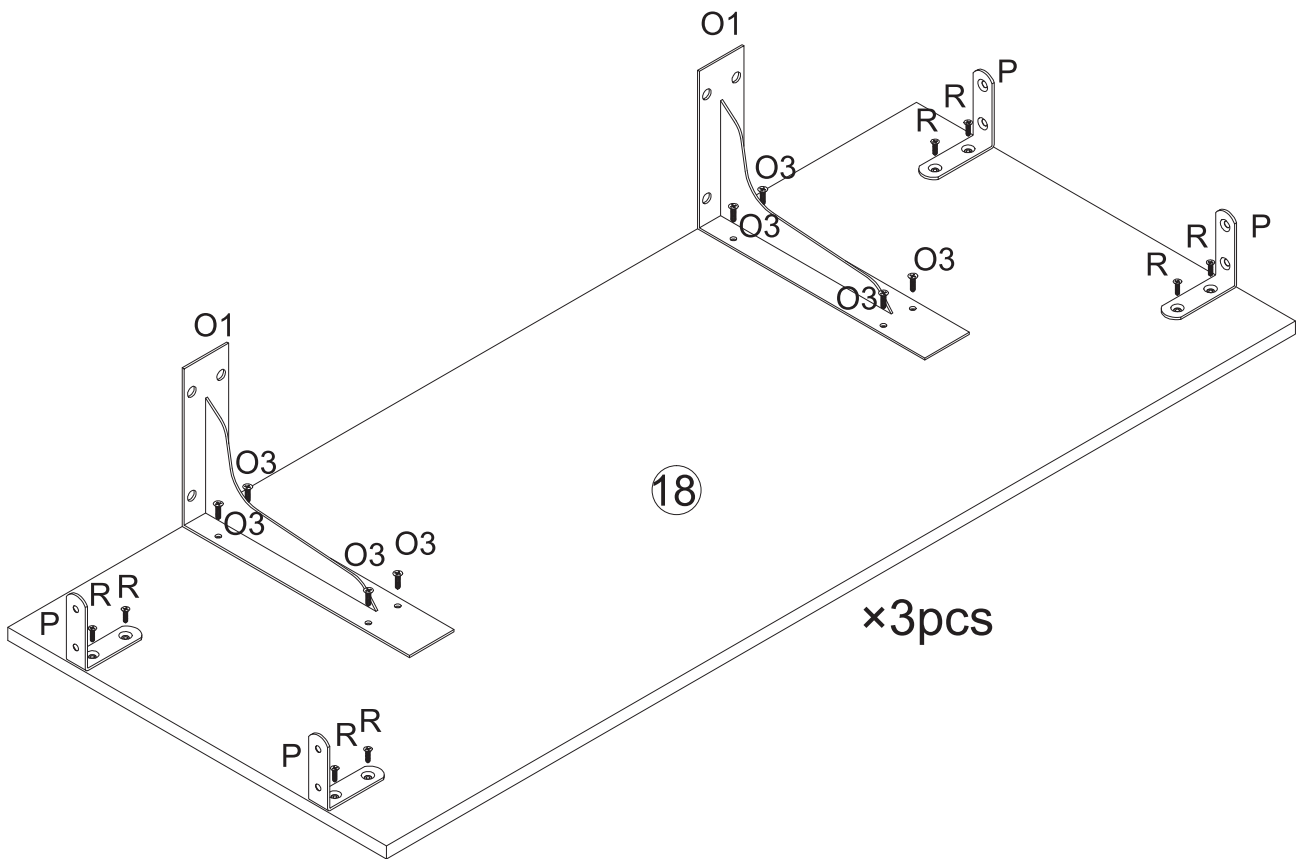
IMPORTANT: When using the adjustable closet rod, do not extend it to its maximum length. Always keep an overlap of at least 2.5 - 3.9 inches; otherwise, its load-bearing capacity will be reduced.

E M3*12  6PCS	M   M4*35 6PCS
N  3PCS	

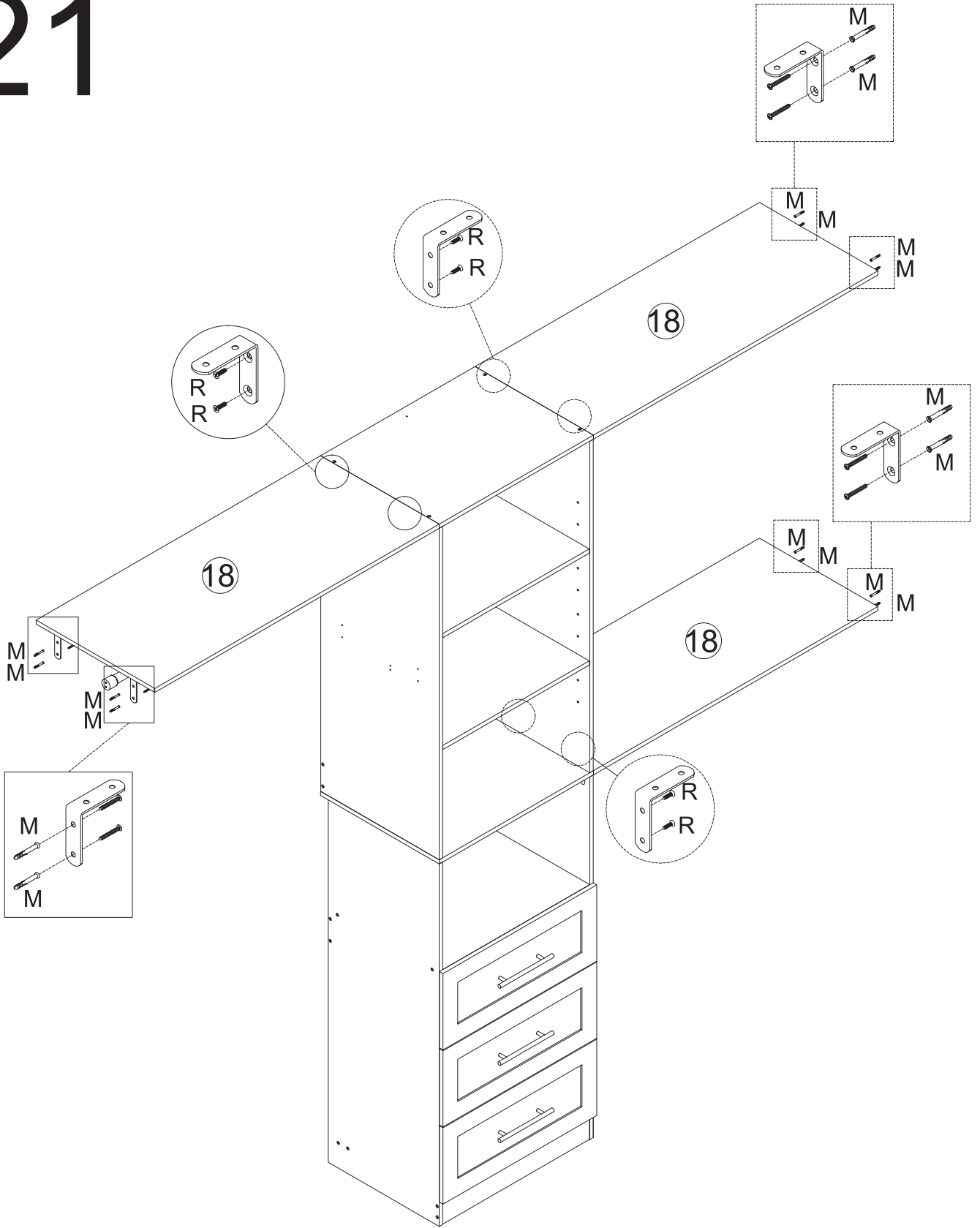
20



Before installing No.18 board, please measure the width of the closet space. This will help you cut the panel to the right size for a perfect fit.

R	M3.5*12  24PCS
O1	 6PCS
O3	M3.5*12  24PCS
P	 12PCS



21



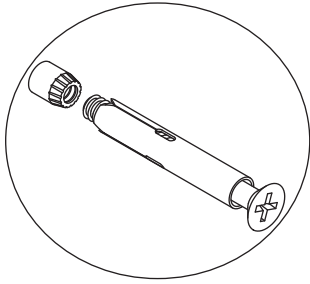
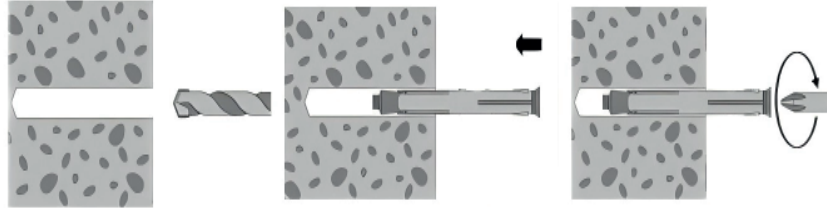
R	M3.5*12  12PCS
M	 M4*35 12PCS

22

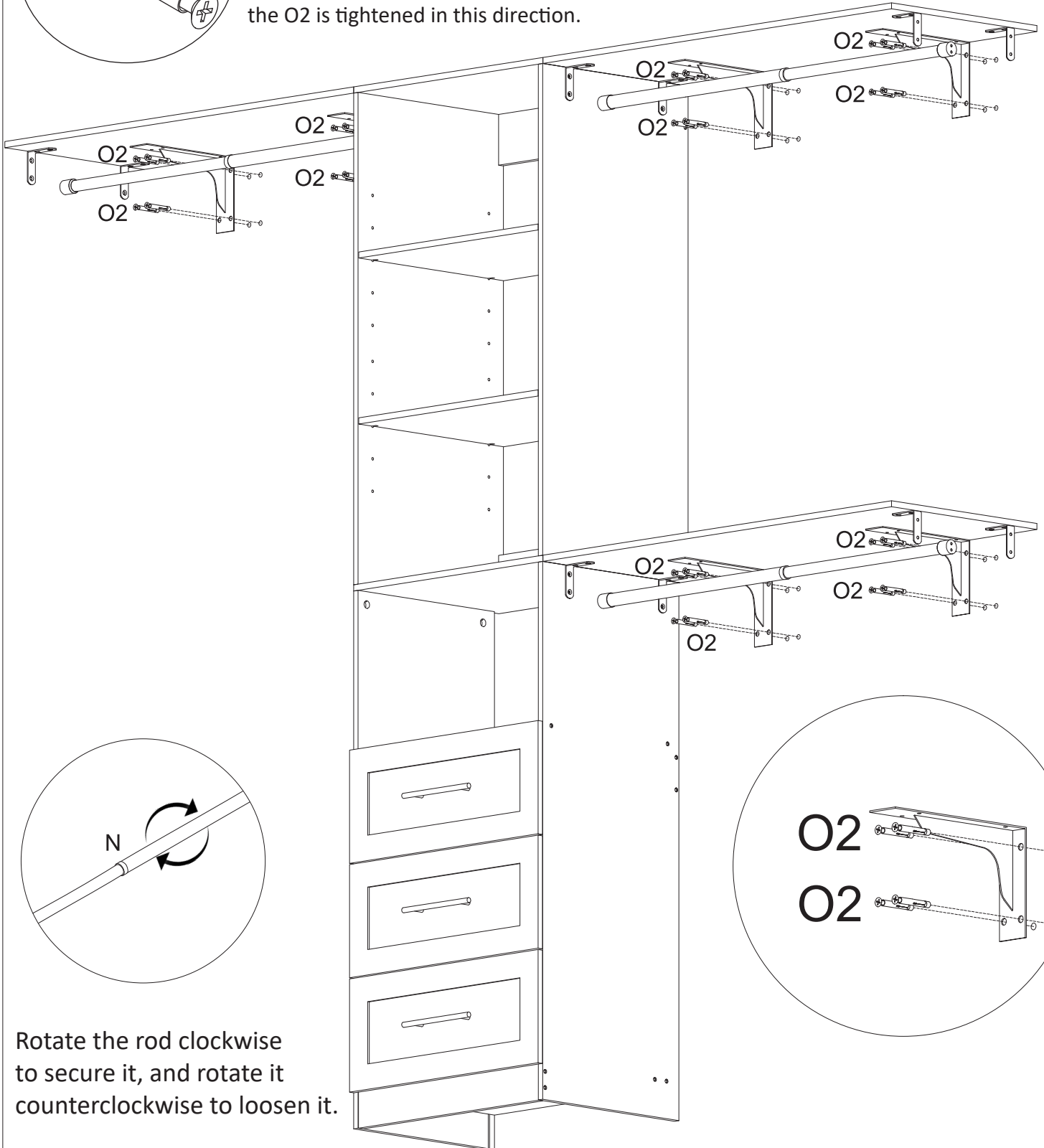
O2



24PCS



Before installation, please ensure that the O2 is tightened in this direction.

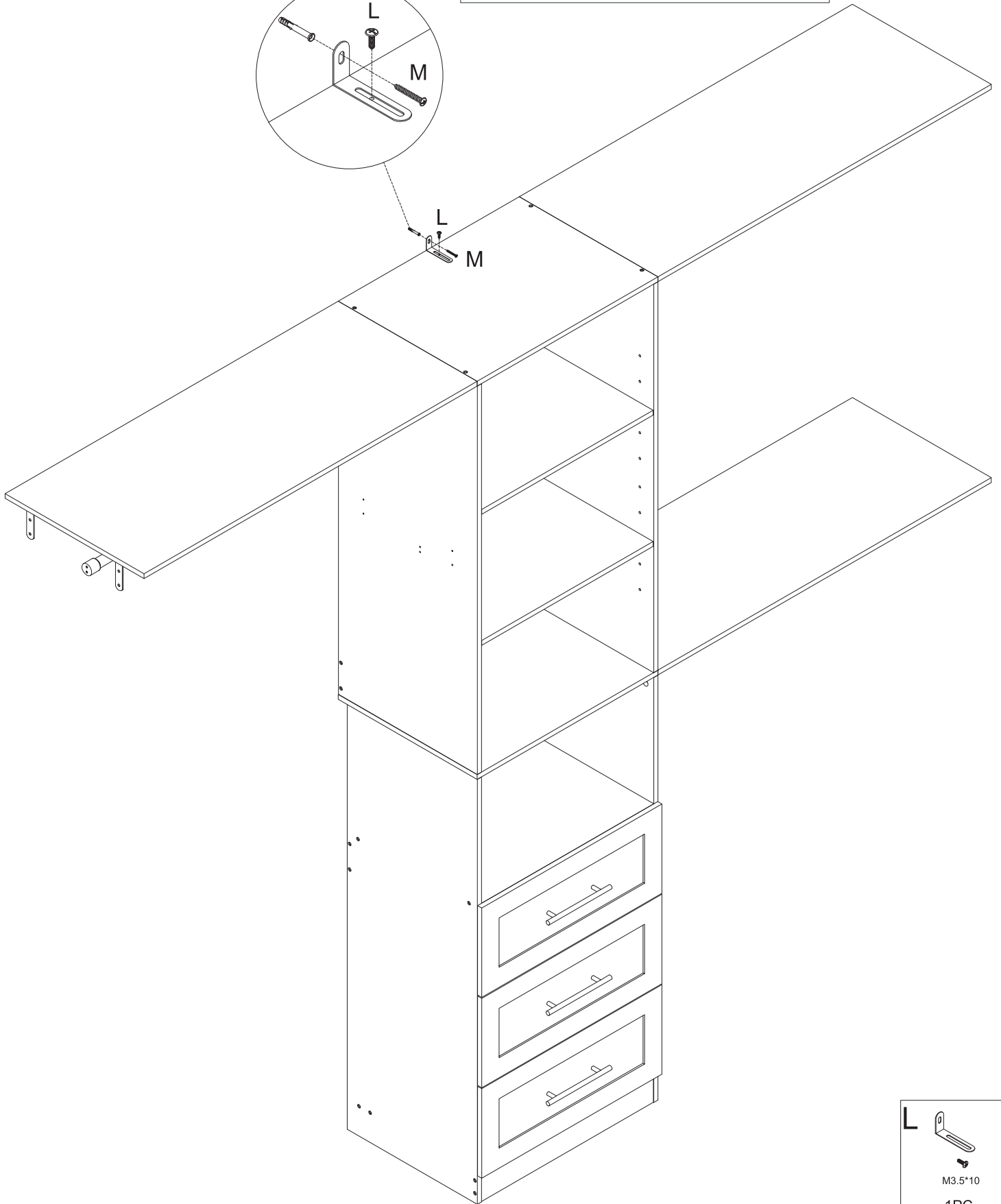
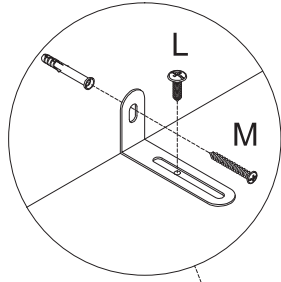


Rotate the rod clockwise to secure it, and rotate it counterclockwise to loosen it.

23



Attention: For safety and stability, we suggest you have to secure the anti-tip accessories to the wall to prevent tipping, injury, and property damage.



L	
	M3.5*10 1PC
M	
	M4*35 1PC