

# ASSEMBLY INSTRUCTIONS



## TOOLS REQUIRED



Allen Wrench  
(Included)



Phillips  
Screwdriver  
(Not Included)



3 - People  
Recommended

## ASSEMBLY RATING



EASY —————> DIFFICULT

The Assembly Rating is a 5-point system showing the level of effort needed to assemble a specific product.



## **CHECK BEFORE STARTING**

### **Are you missing anything?**

Double-check all parts, hardware and accessories listed on Page 6 are accounted for.

### **Check out our Quick Tips!**

We recommend reviewing the pre-assembly handouts. Even experts need a refresher now and then!

### **Should we send any replacements?**

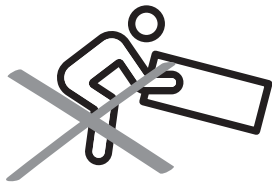
Are there any irregularities or flaws in the parts? We can send replacements!

### **Prep Time!**

Please review the assembly instructions and all diagrams prior to assembling. Arrange parts as recommended on Page 7 and group identical hardware together to make assembling easier.

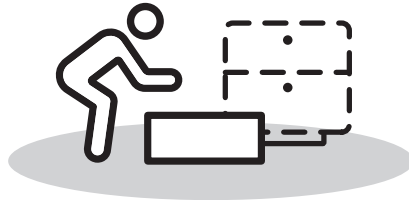
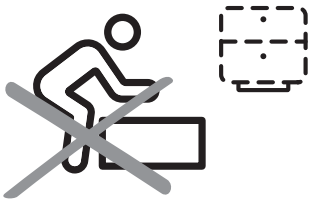
# PRE ASSEMBLY INTRODUCTION

We understand building ready-to-assemble furniture can be a challenging experience for some. To help avoid confusion, we have provided some helpful tips that may speed up the process.



## Teamwork

ALWAYS have at least two people to help with transporting and assembling the product to avoid potential injury and/or damage.



## Suitable Location

Assembling near the area of the intended location is highly recommended.



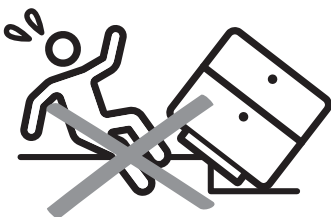
## Sufficient Space

Make sure you have enough space to move around during the assembly.



## Avoid Scratches

Use cardboard, blankets or a carpeted area while assembling furniture to prevent scratches.



## Flat Surface

Make sure the furniture rests on a flat and level surface with each leg evenly touching the floor.

# ASSEMBLY AND CARE ADVICE



**FAILURE TO FOLLOW THE GUIDELINES BELOW MAY RESULT IN INJURY AND/OR PROPERTY DAMAGE.**



Position each part correctly and insert screws or bolts into their respective holes.



Use the appropriate hand tools or power tools for assembly. Select steps, such as tightening screws and/or bolts, may require hand tools to avoid causing damage during assembly.



Turn clockwise to tighten and only tighten when step is completed or when instructed to do so.



Save the instructions and store any supplied tools for later maintenance.



After two weeks, check and tighten any loose hardware and repeat again every six months thereafter.

**IT IS THE USER'S RESPONSIBILITY TO MAINTAIN THE FURNITURE. THE HARDWARE MAY LOOSEN OVER TIME AND MAY CAUSE THE FURNITURE TO BE WOBBLY AND UNABLE TO SUPPORT ITS INTENDED WEIGHT CAPACITY. THIS MAY LEAD TO COLLAPSE AND MAY CAUSE SERIOUS INJURY.**

# BUNKBED

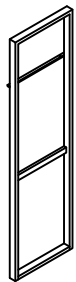


- Please keep instructions for future reference.
- Check the quantity and irregularity of parts and hardware before you start.



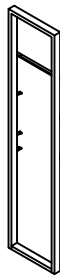
## PARTS

#1 1pc



Left Front Panel

#2 1pc



Left Back Panel

#3 1pc



Right Front Panel

#4 1pc



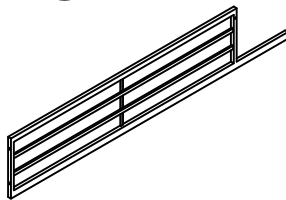
Right Back Panel

#5 1pc



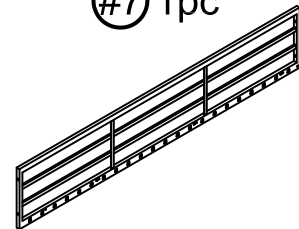
Back Middle Post

#6 1pc



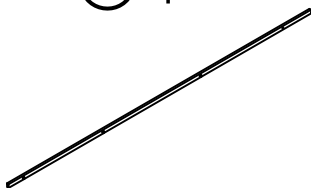
Upper Front Guardrail

#7 1pc



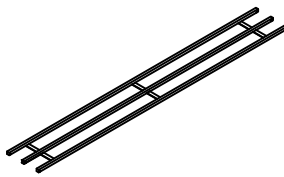
Upper Back Guardrail

#8 2pcs



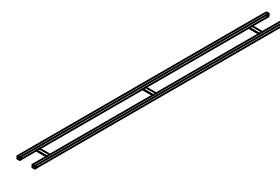
Rail

#9 6pcs



Bed Slat 1

#10 2pcs



Bed Slat 2

# BUNKBED

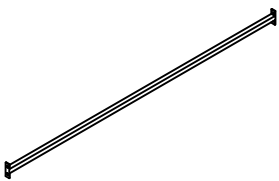


- Please keep instructions for future reference.
- Check the quantity and irregularity of parts and hardware before you start.



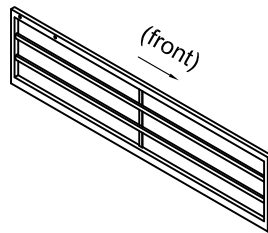
## PARTS

#11 1pc



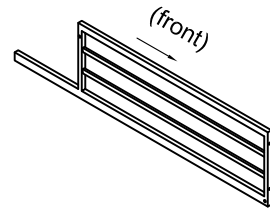
Down Back Cross Rail

#12 1pc



Left Side Frame

#13 1pc



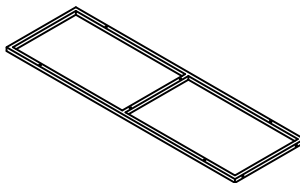
Right Side Frame

#14 1pc



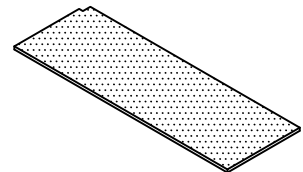
Down Right Cross Rail

#15 1pc



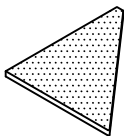
Desk support frame

#16 1pc



Desk Top

#17 2pcs



Shelf

#18 1pc



Tray

# BUNKBED

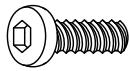


- Please keep instructions for future reference.
- Check the quantity and irregularity of parts and hardware before you start.



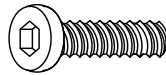
## HARDWARE

#A 18pcs



Bolt 1/4" x 3/8"

#B 8pcs



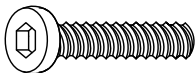
Bolt 1/4" x 1"

#C 14pcs



Bolt 1/4" x 1-1/4" (White)

#D 8pcs



Bolt 1/4" x 1-1/4" (Black)

#E 2pcs



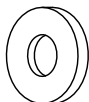
Bolt 1/4" x 1-3/4"(White)

#F 2pcs



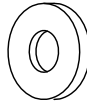
Bolt 3/16" x 3/4"

#G 16pcs



Flat Washer  $\phi$ 16mm (White)

#H 34pcs



Flat Washer  $\phi$ 16mm (Black)

#I 2pcs



Flat Washer  $\phi$ 12mm

#J 1pc



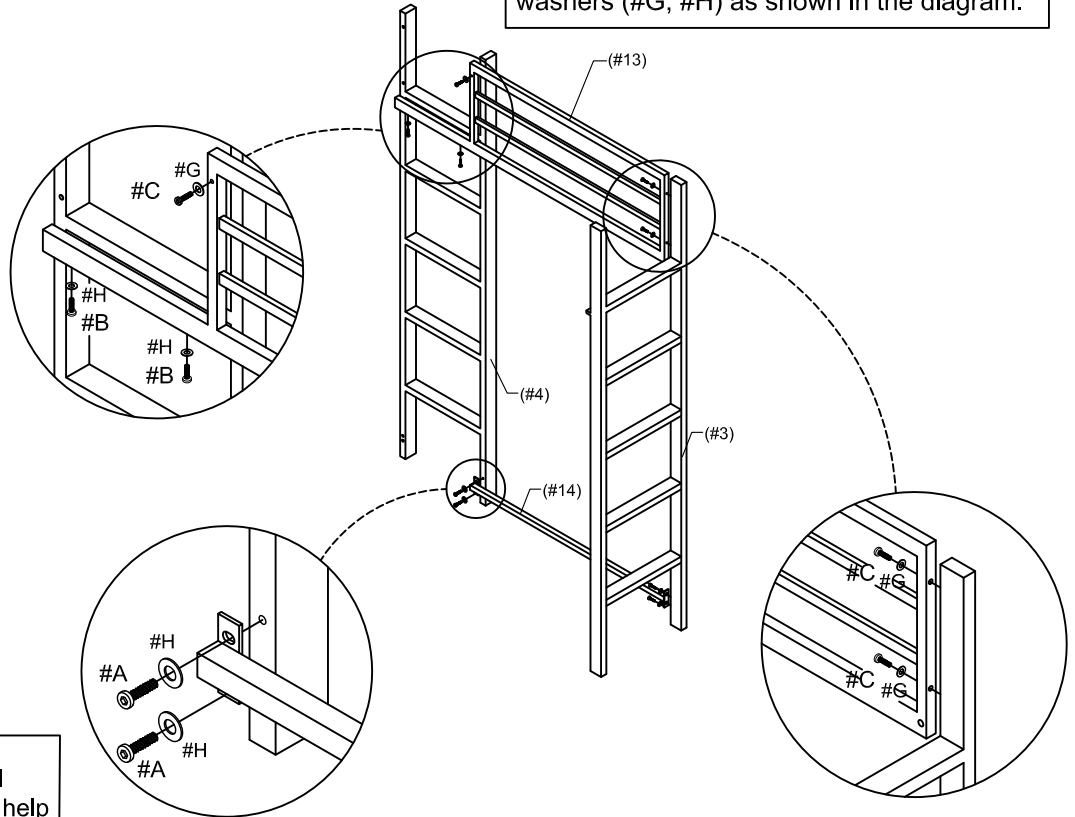
Allen Wrench M4

# ASSEMBLY INSTRUCTIONS

## 1

- Part #3 x1pc
- Part #4 x1pc
- Part #13 x1pc
- Part #14 x1pc
- Hardware #A x4pcs
- Hardware #B x2pcs
- Hardware #C x3pcs
- Hardware #G x3pcs
- Hardware #H x6pcs
- Hardware #J x1pc

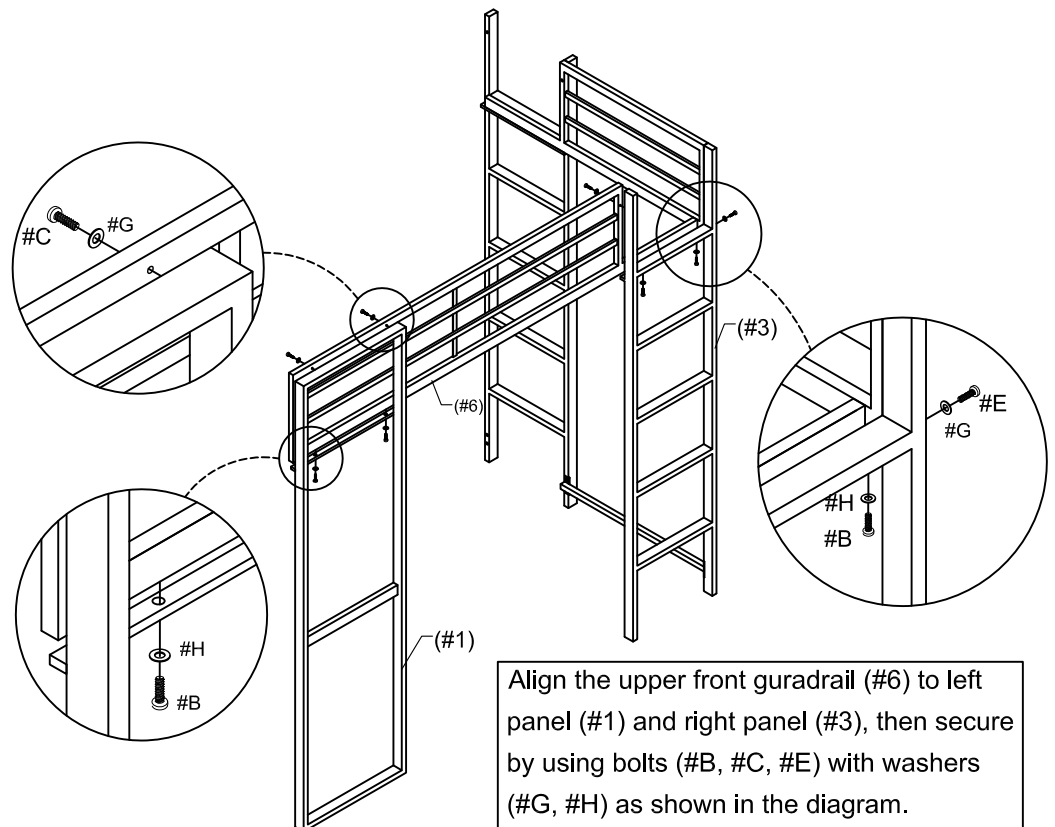
Align the right side frame (#13), down right cross rail (#14) to right panel (#3,#4), then secure by using bolts (#A, #B, #C) with washers (#G, #H) as shown in the diagram.



Note:  
Do not fully tighten all bolts until assembly is complete. This will help all parts to assemble properly.

## 2

- Part #1 x1pc
- Part #6 x1pc
- Hardware #B x4pcs
- Hardware #C x3pcs
- Hardware #E x1pc
- Hardware #G x4pcs
- Hardware #H x4pcs
- Hardware #J x1pc

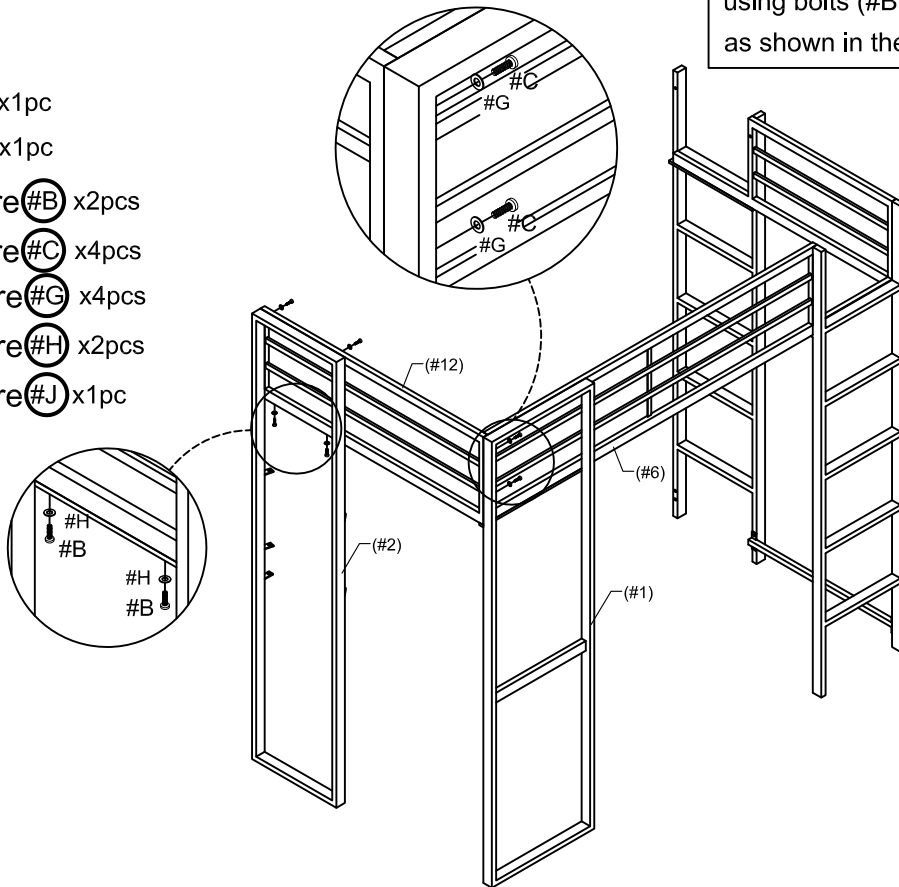


Align the upper front guardrail (#6) to left panel (#1) and right panel (#3), then secure by using bolts (#B, #C, #E) with washers (#G, #H) as shown in the diagram.

# ASSEMBLY INSTRUCTIONS

## 3

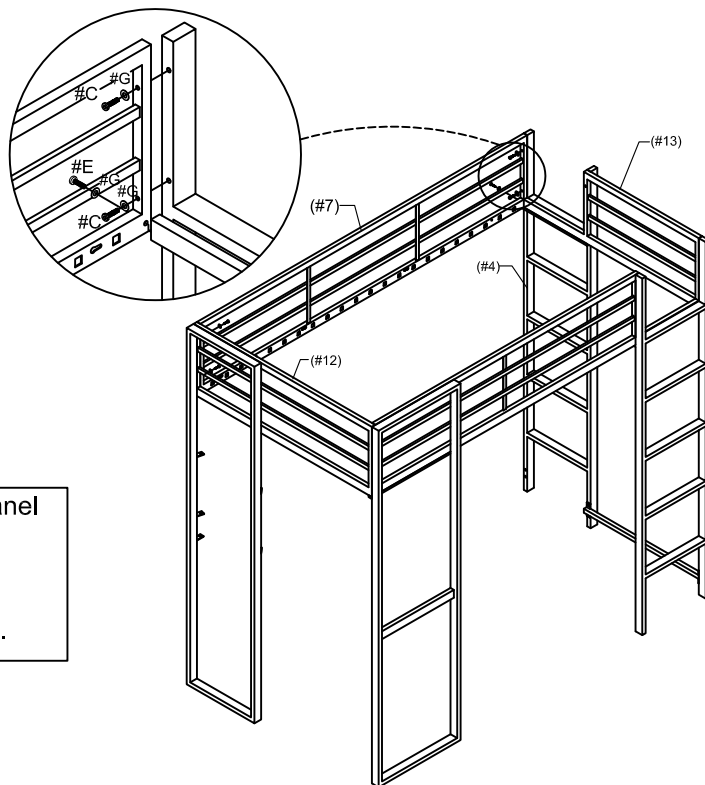
- Part #2 x1pc
- Part #12 x1pc
- Hardware #B x2pcs
- Hardware #C x4pcs
- Hardware #G x4pcs
- Hardware #H x2pcs
- Hardware #J x1pc



Align the left side frame (#12) to left panel (#1) and front guardrail (#6), then secure by using bolts (#B, #C) with washers (#G, #H) as shown in the diagram.

## 4

- Part #7 x1pc
- Hardware #C x4pcs
- Hardware #E x1pc
- Hardware #G x5pcs
- Hardware #J x1pc



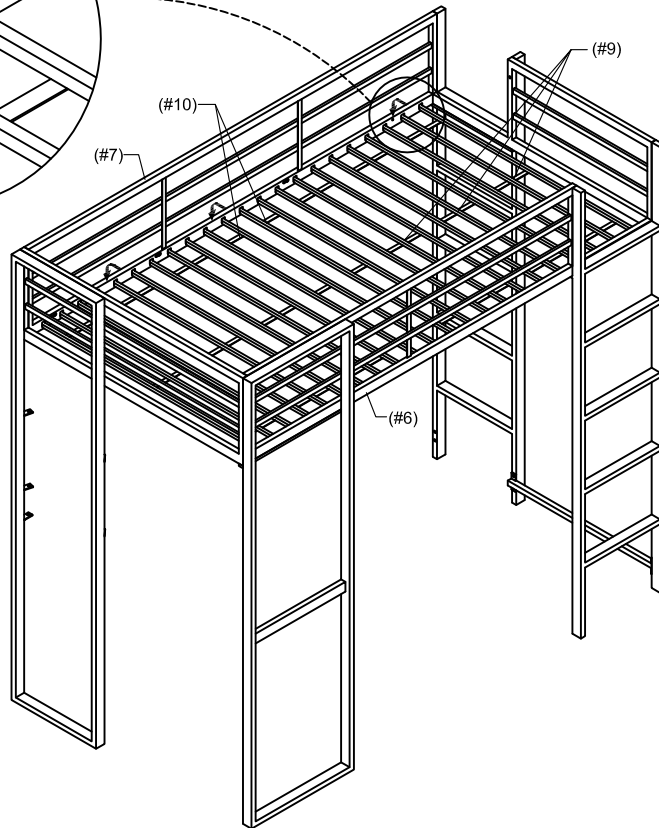
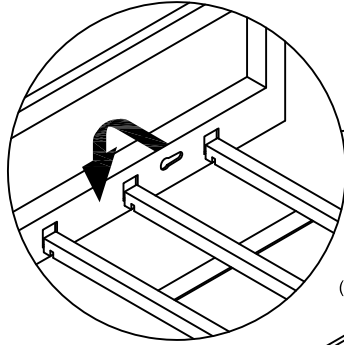
Align the back guardrail (#7) to right panel (#4) and side frames (#12, #13), then secure by using bolts (#C, #E) with washers (#G) as shown in the diagram.

# ASSEMBLY INSTRUCTIONS

5

Part #9 x6pcs

Part #10 x2pcs



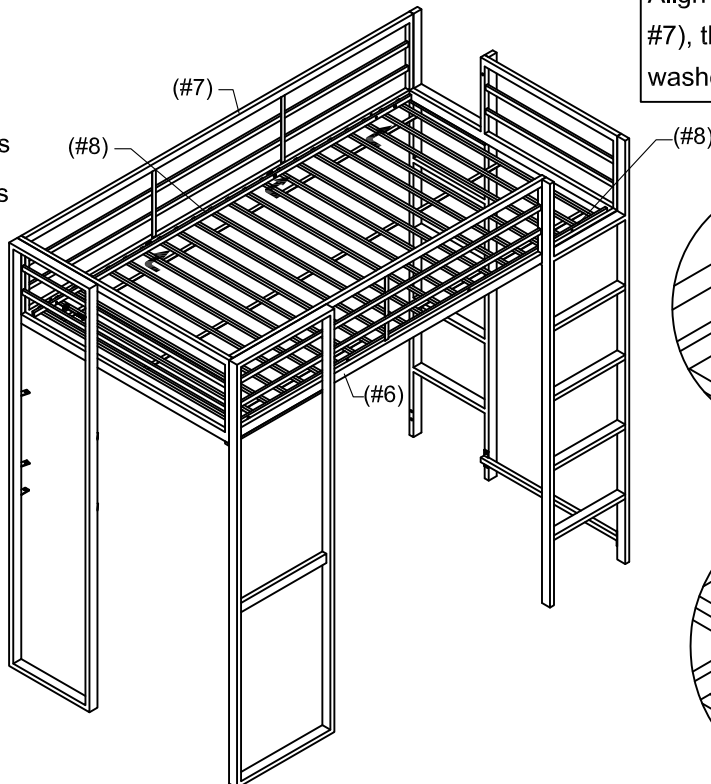
Align the bed slats (#9, #10) to upper guardrail (#6, #7) as shown in the diagram.

6

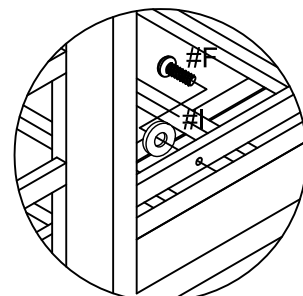
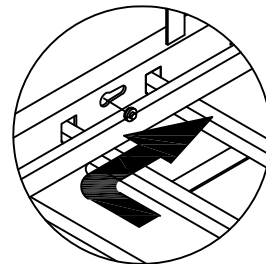
Part #8 x2pcs

Hardware #F x2pcs

Hardware #I x2pcs



Align the rails (#8) to upper guardrail (#6, #7), then secure by using bolts (#F) with washers (#I) as shown in the diagram.

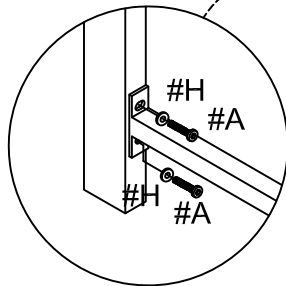
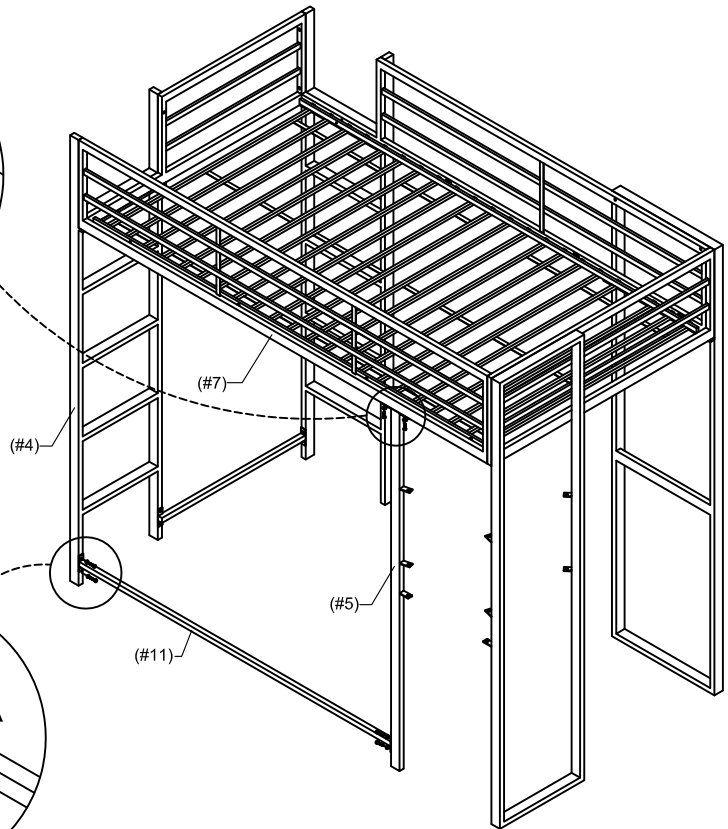
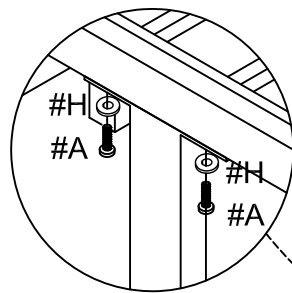


# ASSEMBLY INSTRUCTIONS

## 7

- Part #5 x1pc
- Part #11 x1pc
- Hardware #A x6pcs
- Hardware #H x6pcs
- Hardware #J x1pc

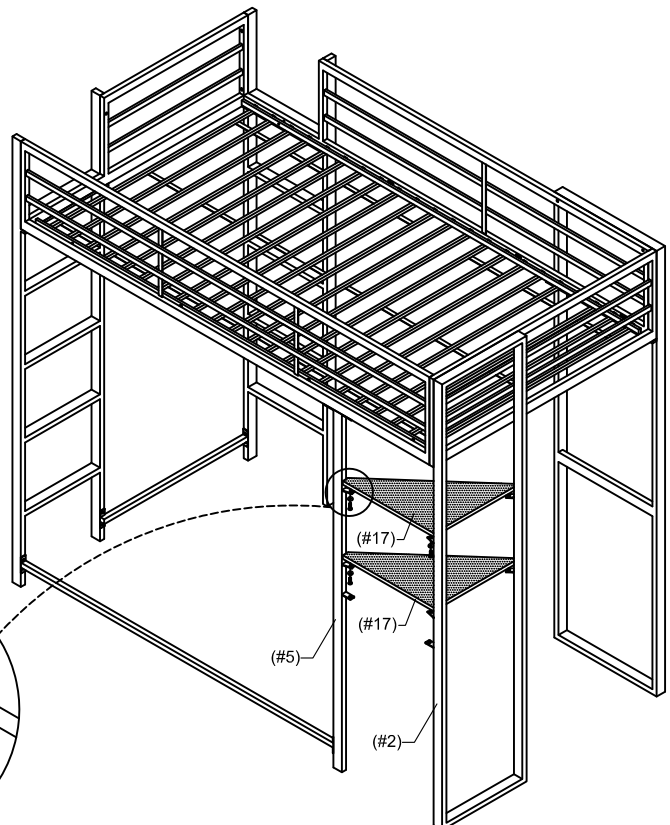
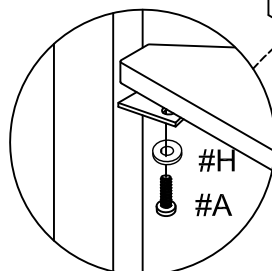
Align the back middle post (#5) and the down back cross rail (#11) to right panel (#4) and back guardrail (#7), then secure by using bolts (#A) with washers (#H) as shown in the diagram.



## 8

- Part #17 x2pcs
- Hardware #A x6pcs
- Hardware #H x6pcs
- Hardware #J x1pcs

Align the shelves (#17) to back middle post (#5) and left panel (#2), then secure by using bolts (#A) with washers (#H) as shown in the diagram.

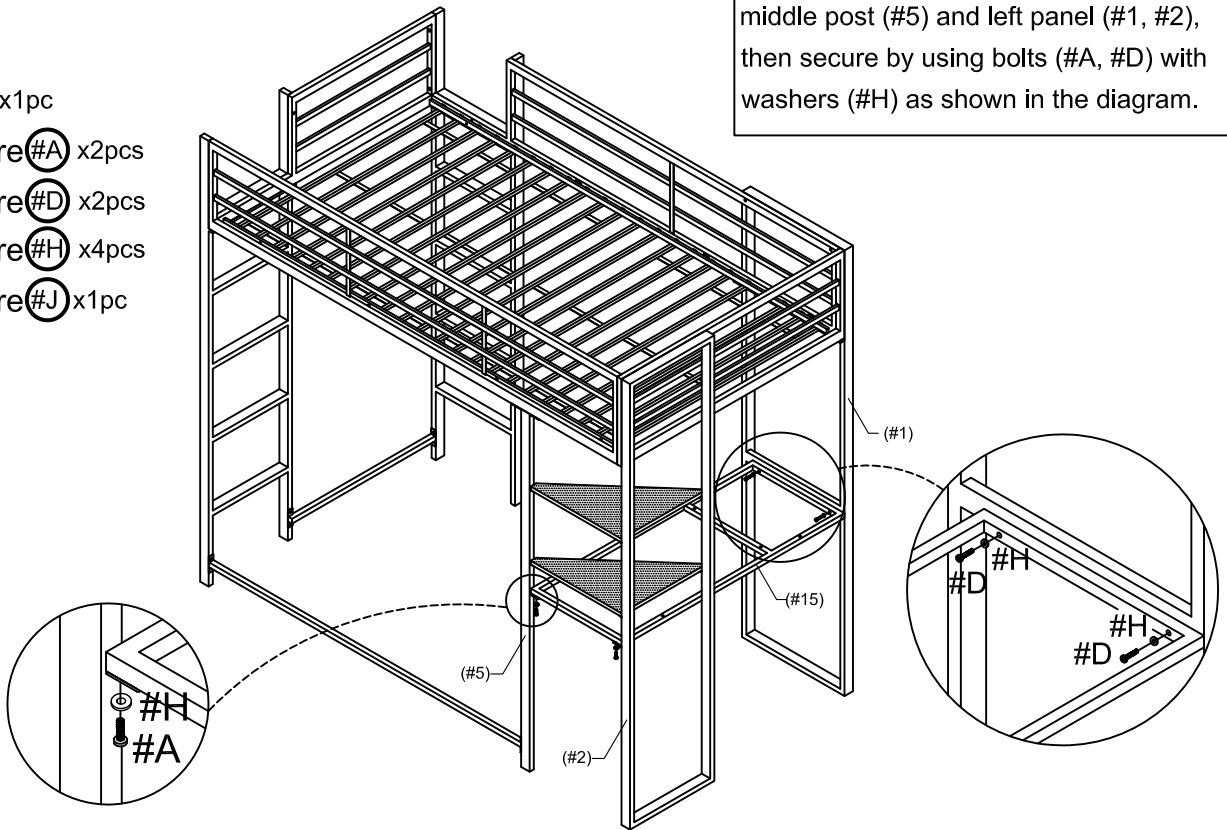


# ASSEMBLY INSTRUCTIONS

## 9

- Part #15 x1pc
- Hardware #A x2pcs
- Hardware #D x2pcs
- Hardware #H x4pcs
- Hardware #J x1pc

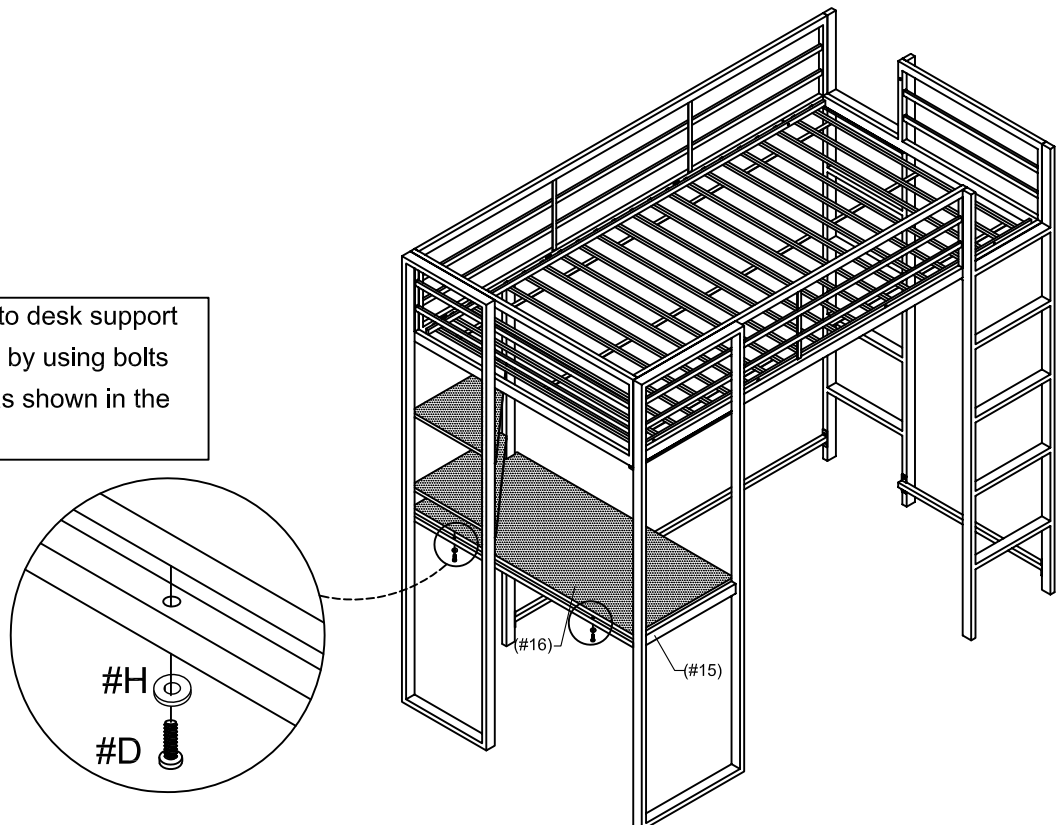
Align the desk support frame (#15) to back middle post (#5) and left panel (#1, #2), then secure by using bolts (#A, #D) with washers (#H) as shown in the diagram.



## 10

- Part #16 x 1pc
- Hardware #D x6pcs
- Hardware #H x6pcs
- Hardware #J x1pcs

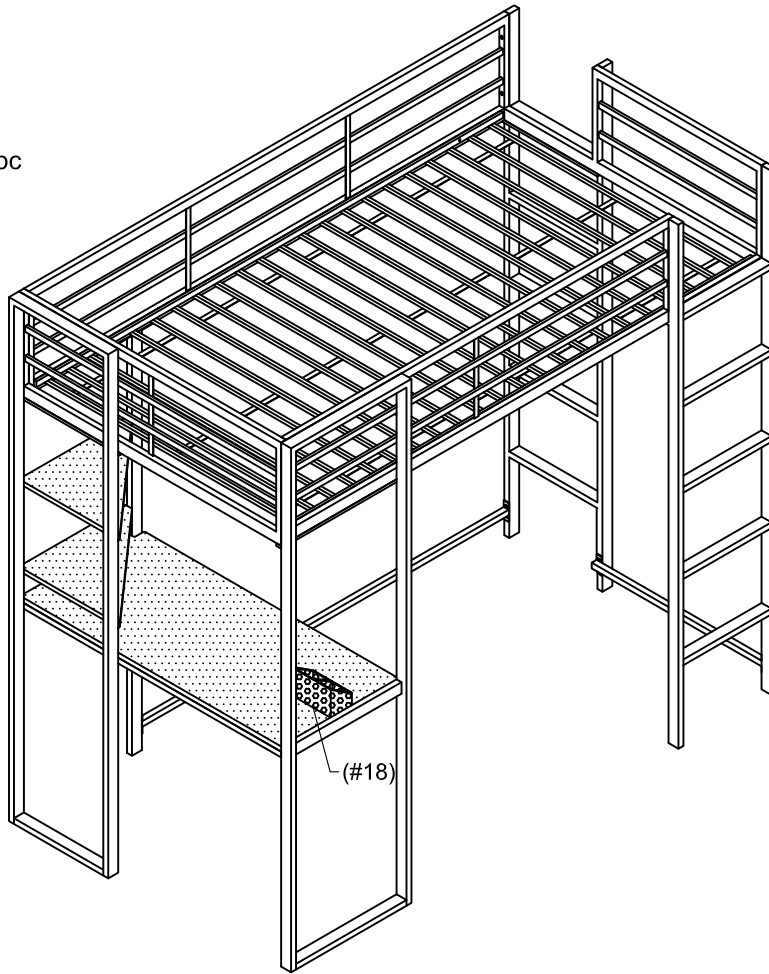
Align the desk top (#16) to desk support frame (#15), then secure by using bolts (#D) with washers (#H) as shown in the diagram.



# ASSEMBLY INSTRUCTIONS

# 11

Part  #19 x1pc



## ASSEMBLY COMPLETED



Please ensure the furniture rests on an even and flat surface. If the product wobbles or feels loose, double-check all bolts and/or screws are properly tightened and secured.



### Keep this handy!

Please retain this instruction manual and any order-related information for future reference.



### Lift, don't drag!

To avoid damage to product please always LIFT the product when transporting or adjusting the placement.

## Safety Warnings

1. Follow the information on the warnings appearing on the upper bunk end structure and on the carton. Do not remove warning label from bed.
2. Always use the recommended size mattresses or mattress supports, or both, to help prevent the likelihood of entrapment or falls.
3. Surface of mattress must be at least 5 in. (127mm) below the upper edge of guardrails.
4. Do not allow children under 6 years of age to use the upper bunk.
5. Periodically check and ensure that the guardrail, ladder, and other components are in their proper position, free from damage, and that all connectors are tight.
6. Do not allow horseplay on or under the bed and prohibit jumping on the bed.
7. Always use the ladder for entering and leaving the upper bunk.
8. Do not use substitute parts. Contact the manufacturer or dealer for replacement parts.
9. Use of a night light may provide added safety precaution for a child using the upper bunk.
10. Always use guardrails on both long sides of the upper bunk. If the bunk bed will be placed next to the wall, the guardrail that runs the full length of the bed should be placed against the wall to prevent entrapment between the bed and wall.
11. The use of water or sleep flotation mattresses is prohibited.
12. Keep these instructions for future reference.
13. Use only mattress which is (74"-75")X(37 $\frac{1}{2}$ "-38 $\frac{1}{2}$ ")X6" on upper bunk.
14. Prohibit more than one person on upper bunk.
15. Maximum total weight is not to exceed 400 lbs on the upper bunk.

### STRANGULATION HAZARD:

Never attach or hang items to any part of the bunk bed that are not designed for use with the bed; for example, but not limited to, hooks, belts and jump ropes.