

# *ASSEMBLY INSTRUCTIONS*



## ***ACCENT CABINET***

# ASSEMBLY INSTRUCTIONS

## ASSEMBLY TIPS:

1. Remove hardware from box and sort by size.
2. Please check to see that all hardware and parts are present prior to start of assembly.
3. Please follow attached instructions in the same sequence as numbered to assure fast & easy assembly.



### WARNING!

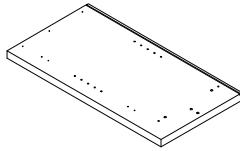
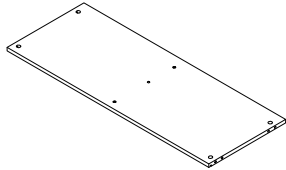
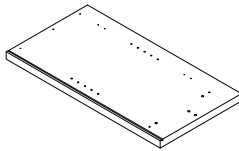
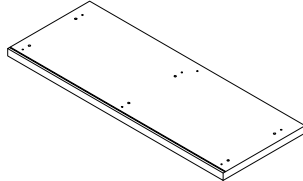
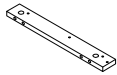
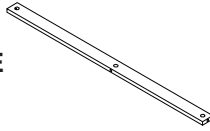
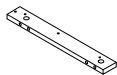
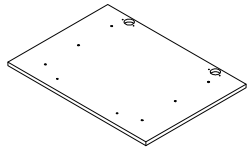
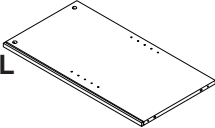
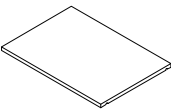
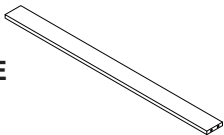
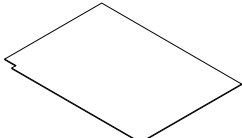
1. Don't attempt to repair or modify parts that are broken or defective. Please contact the store immediately.
2. This product is for home use only and not intended for commercial establishments.



ASSEMBLY TIME

40 MINUTES

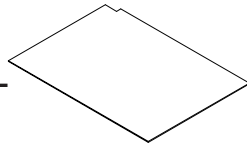
## PARTS IDENTIFICATION

(A) LEFT SIDE PANEL		1 PC	(G) BOTTOM PANEL		1 PC
(B) RIGHT SIDE PANEL		1 PC	(H) TOP PANEL		1 PC
(C) LEFT CROSS BRACE		1 PC	(I) UPPER CROSS BRACE		1 PC
(D) RIGHT CROSS BRACE		1 PC	(J) DOOR		2 PCS
(E) MIDDLE DIVIDER PANEL		1 PC	(K) ADJUSTABLE SHELF		2 PCS
(F) LOWER CROSS BRACE		1 PC	(L) LEFT BACK PANEL		1 PC

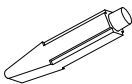
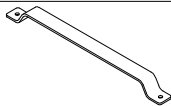
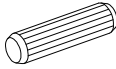

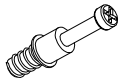


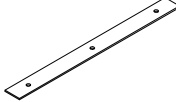



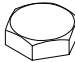

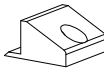
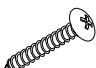

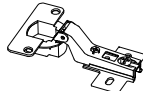
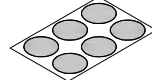

### NOTE:

Phillips head screw driver is required in the assembly process; however, manufacturer does not provide this item.

(M) RIGHT BACK PANEL



1 PC

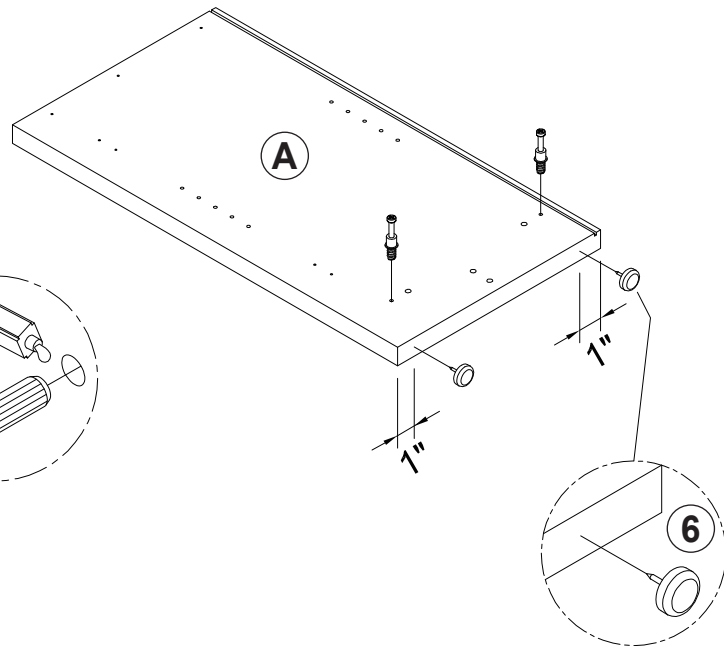
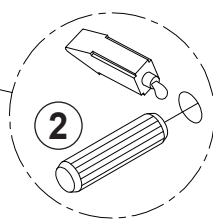
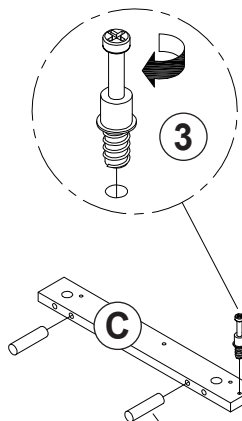
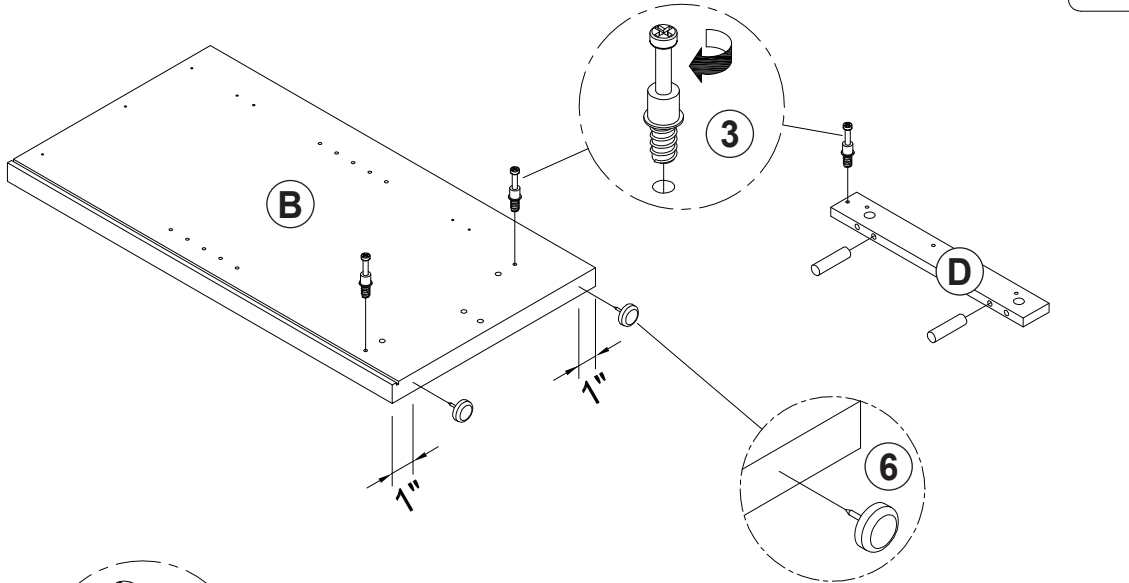
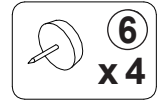
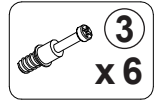
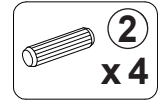
Z		HARDWARE IDENTIFICATION					
NO	DESCRIPTION	FIGURE	Q'TY	NO	DESCRIPTION	FIGURE	Q'TY
1	GLUE 15g		1 PC	11	HANDLE		2 PCS
2	WOODEN DOWEL Ø 8x30mm		17 PCS	12	HANDLE BOLT M5x25mm		4 PCS
3	CAM BOLT Ø 7x35.5mm		13 PCS	13	NUT M5		4 PCS
4	CAM LOCK Ø 15x12mm		13 PCS	14	PANEL 400mm		4 PCS
5	SCREW Ø4.5x42mm		2 PCS	15	BOLT M6x23.5mm		12 PCS
6	PLASTIC FEET Ø 15mm		5 PCS	16	NUT M6		12PCS
7	PIN Ø 4.9x8mm		8 PCS	17	FIXER		6 PCS
8	SCREW Ø 4x28mm		6 PCS	18	FIXER SCREW Ø 3x19mm		6 PCS
9	HINGE		4 PCS	19	STICKER Ø 20mm		3 PCS
10	HINGE SCREW Ø 4x15mm		16 PCS				

Z9,Z11,Z12,Z13,Z14,Z15,Z16 not included in blister packaging.

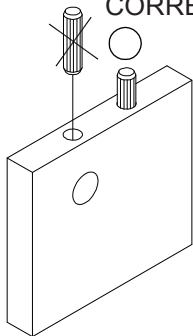
**NOTE:**

Phillips head screw driver is required in the assembly process; however, manufacturer does not provide this item.

# STEP 1



INCORRECT CORRECT



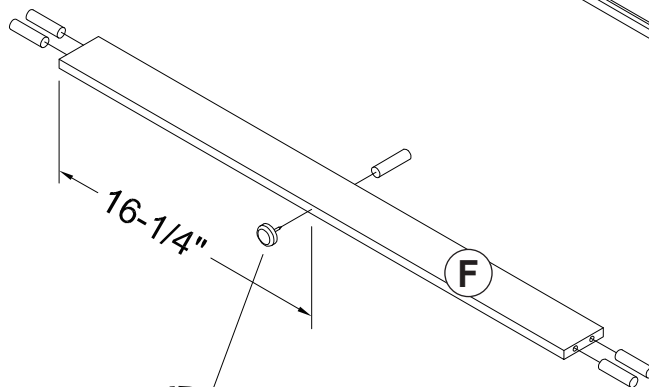
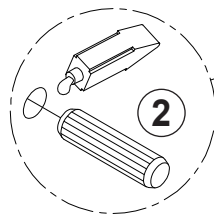
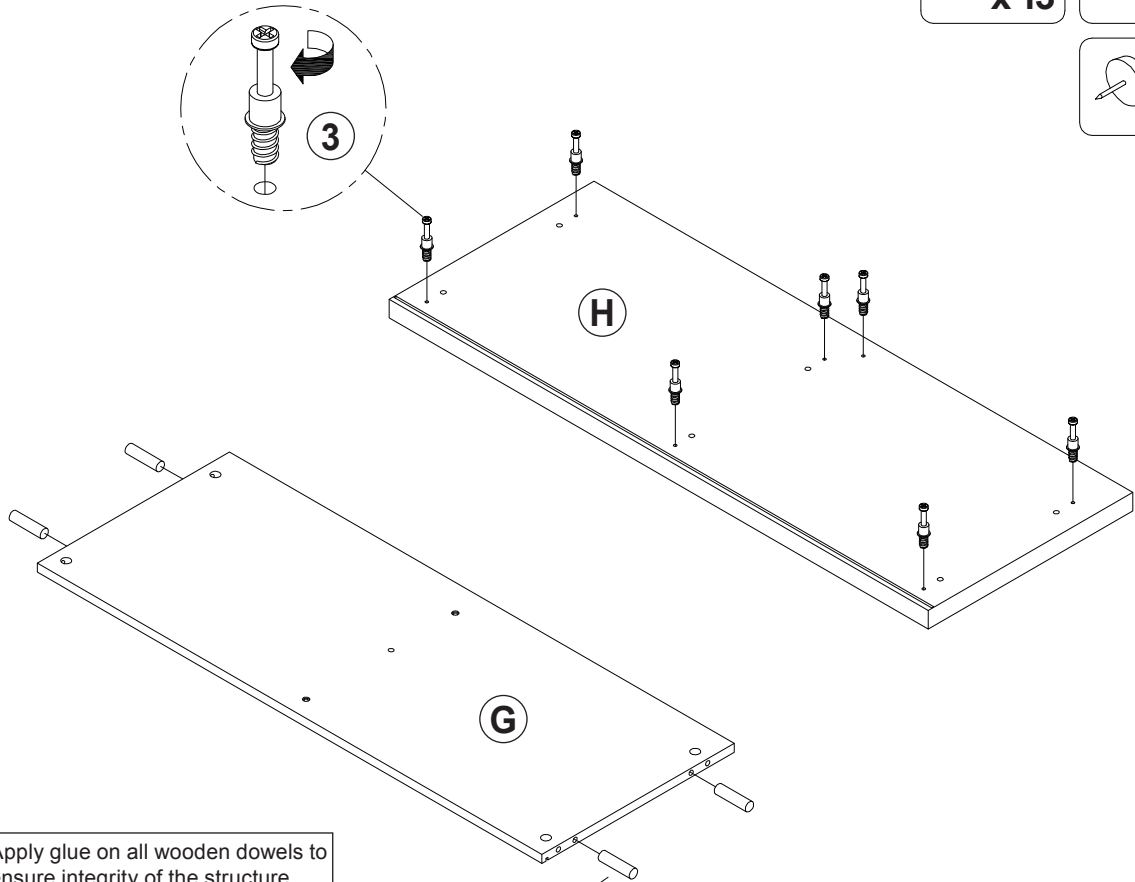
Apply glue on all wooden dowels to ensure integrity of the structure.

# STEP 2

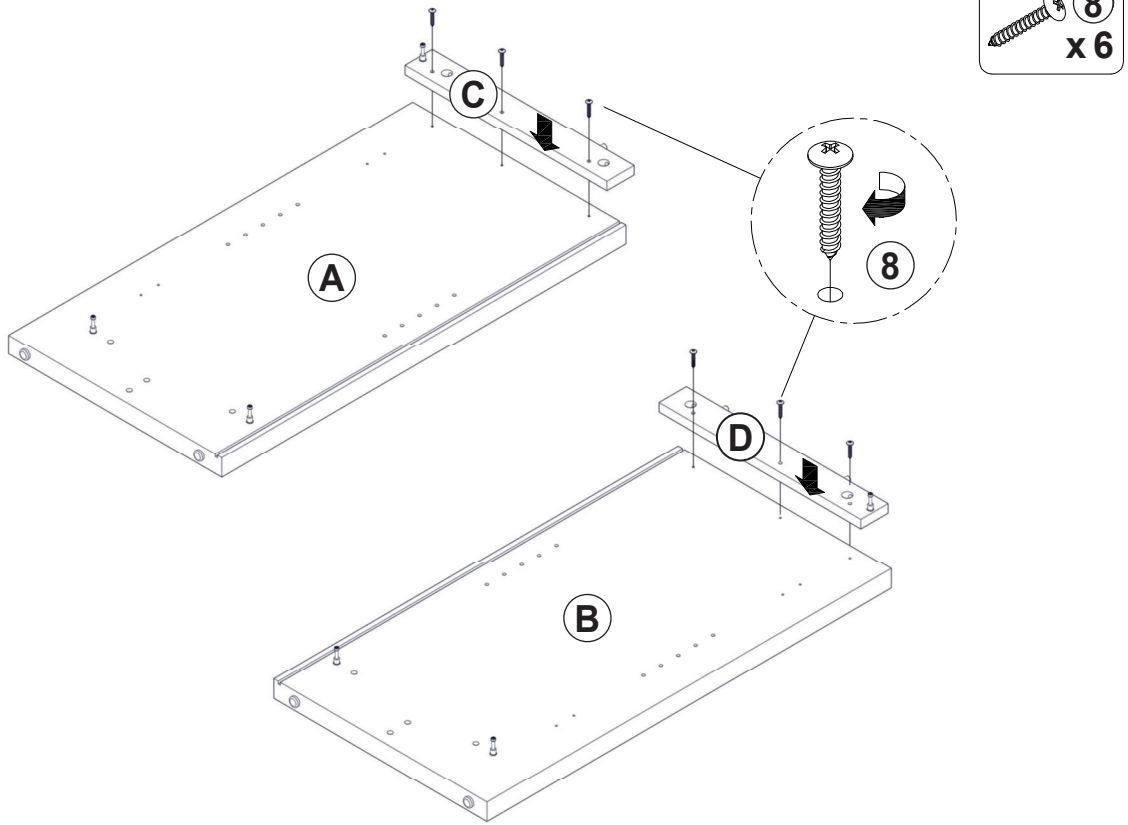
**2**  
x 13

**3**  
x 7

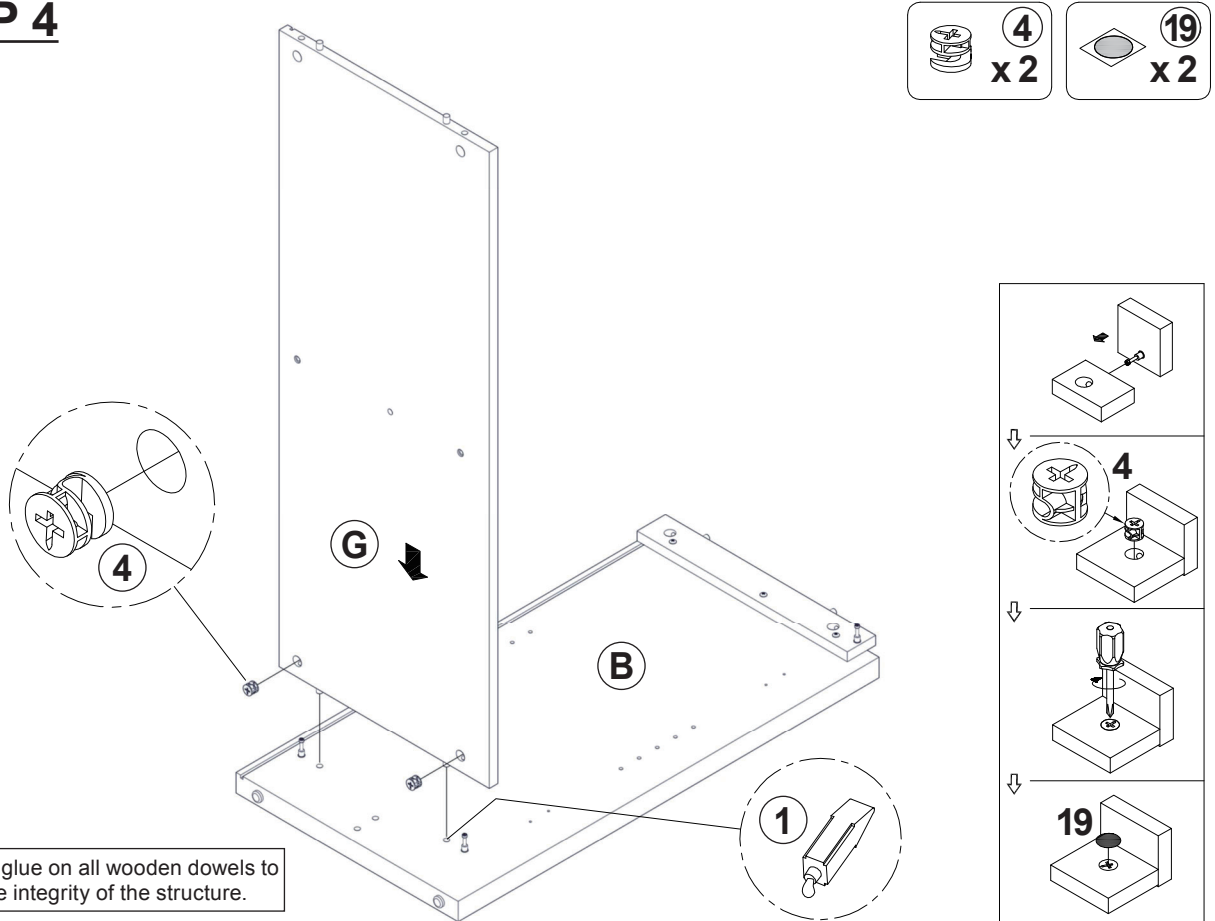
**6**  
x 1



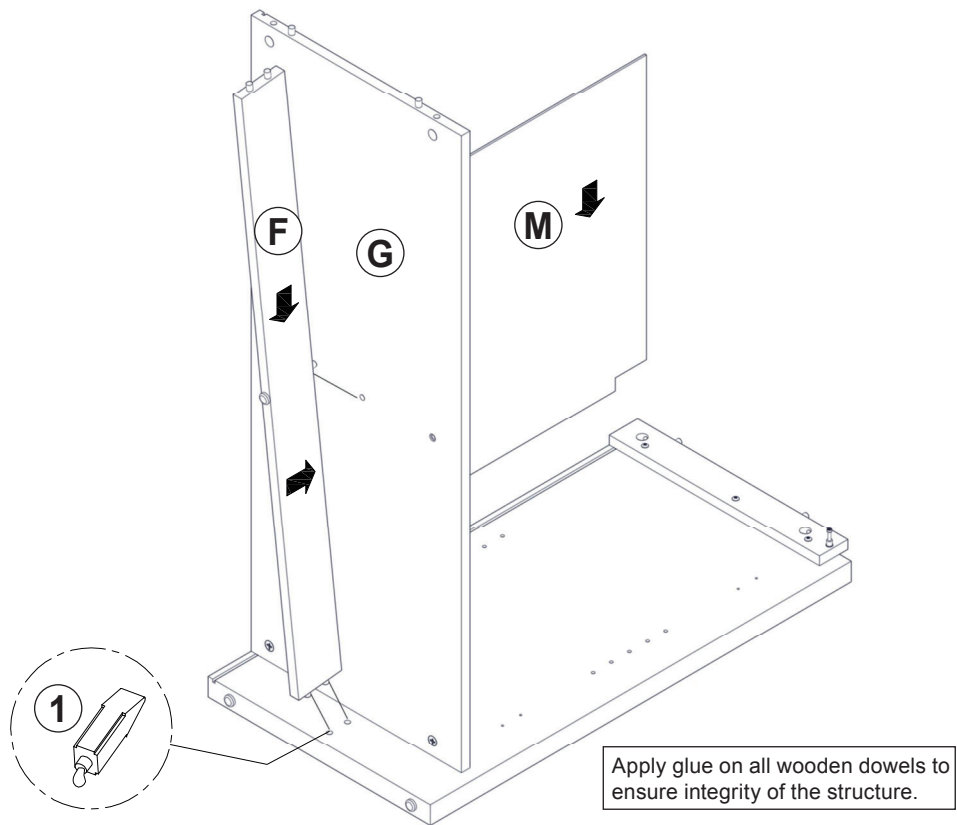
# STEP 3



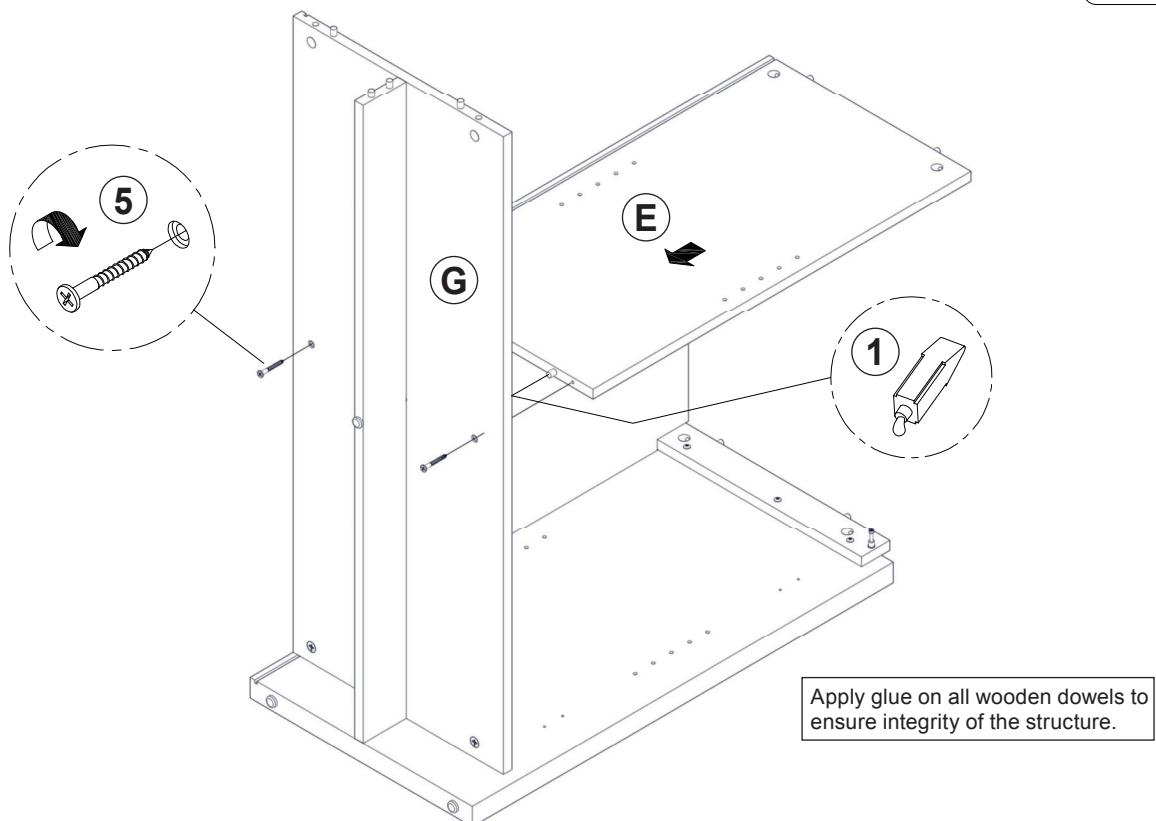
# STEP 4



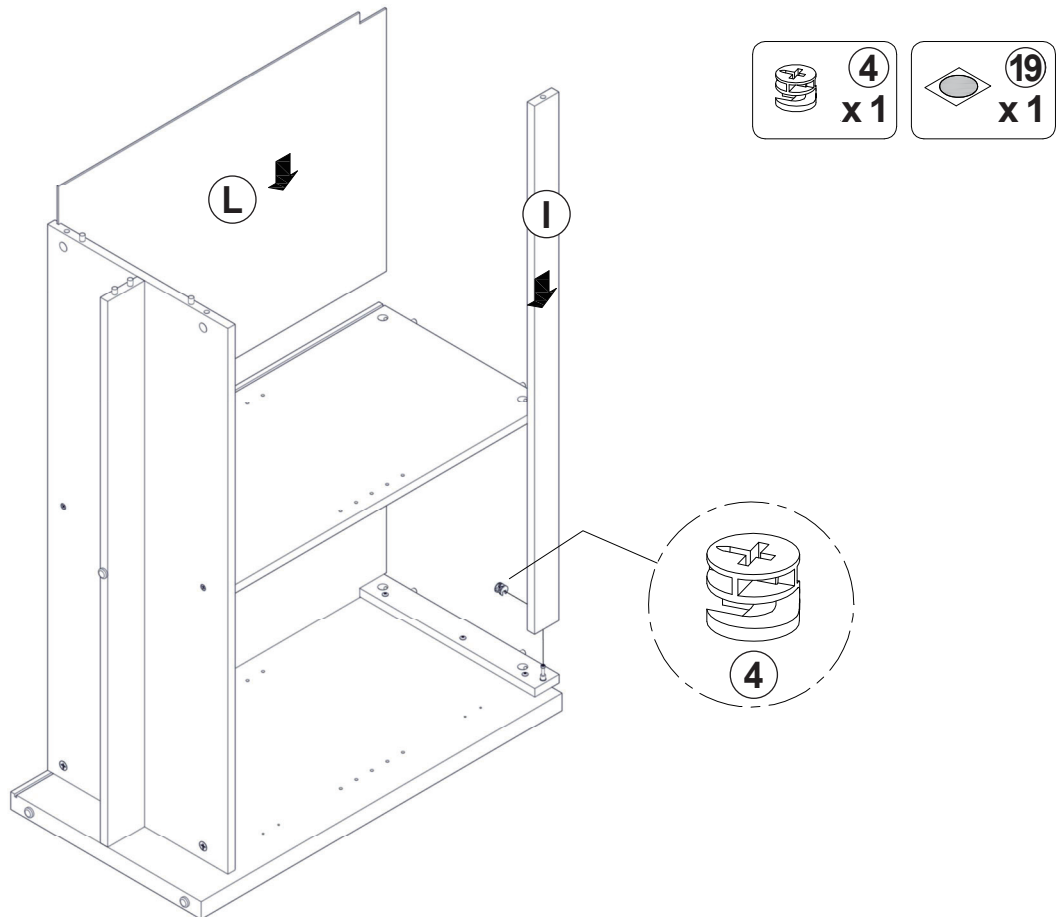
## STEP 5



## STEP 6

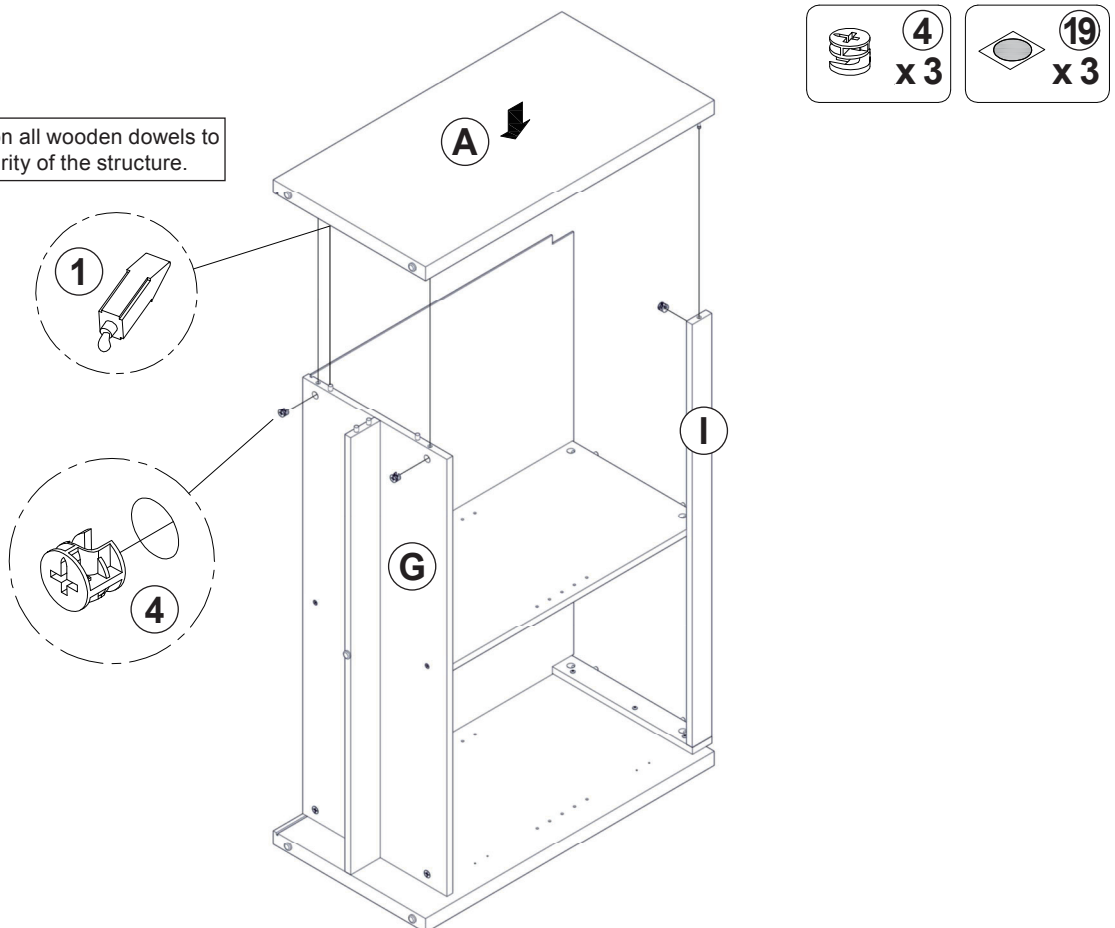


## STEP 7

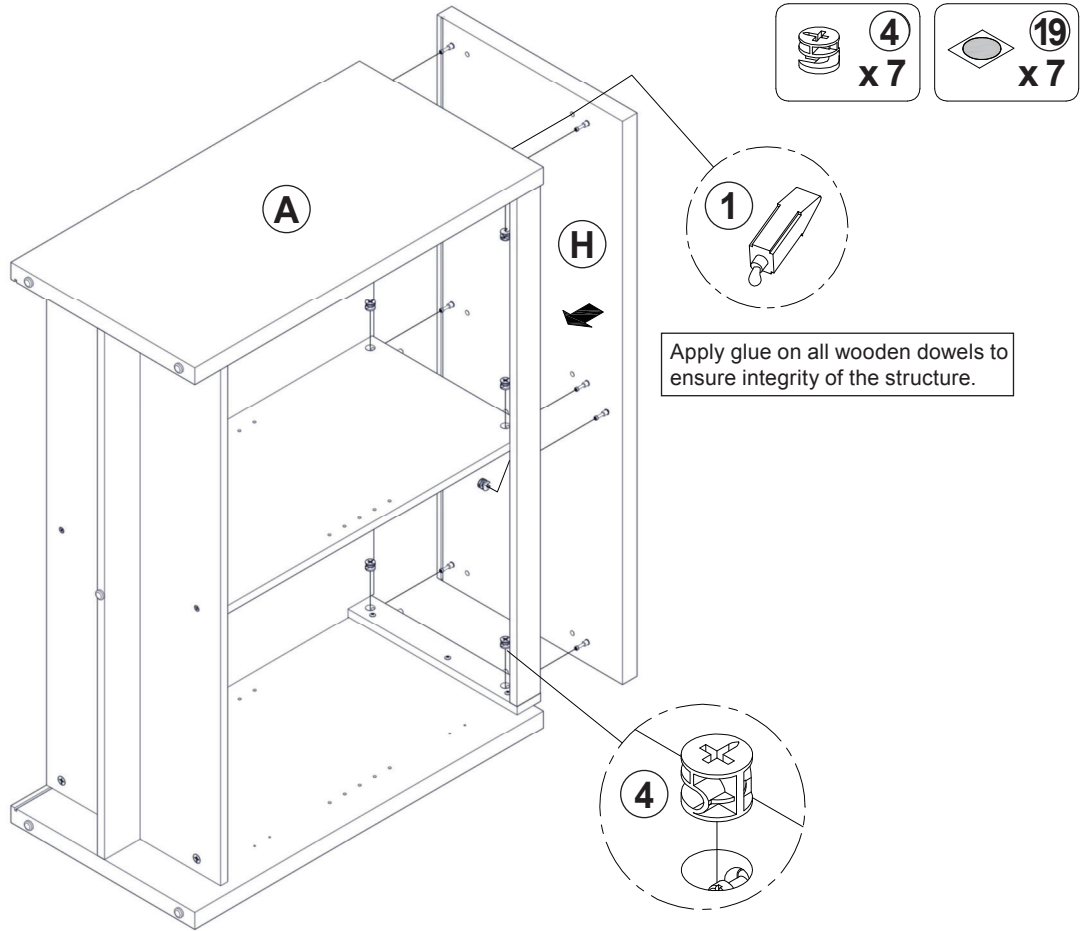


## STEP 8

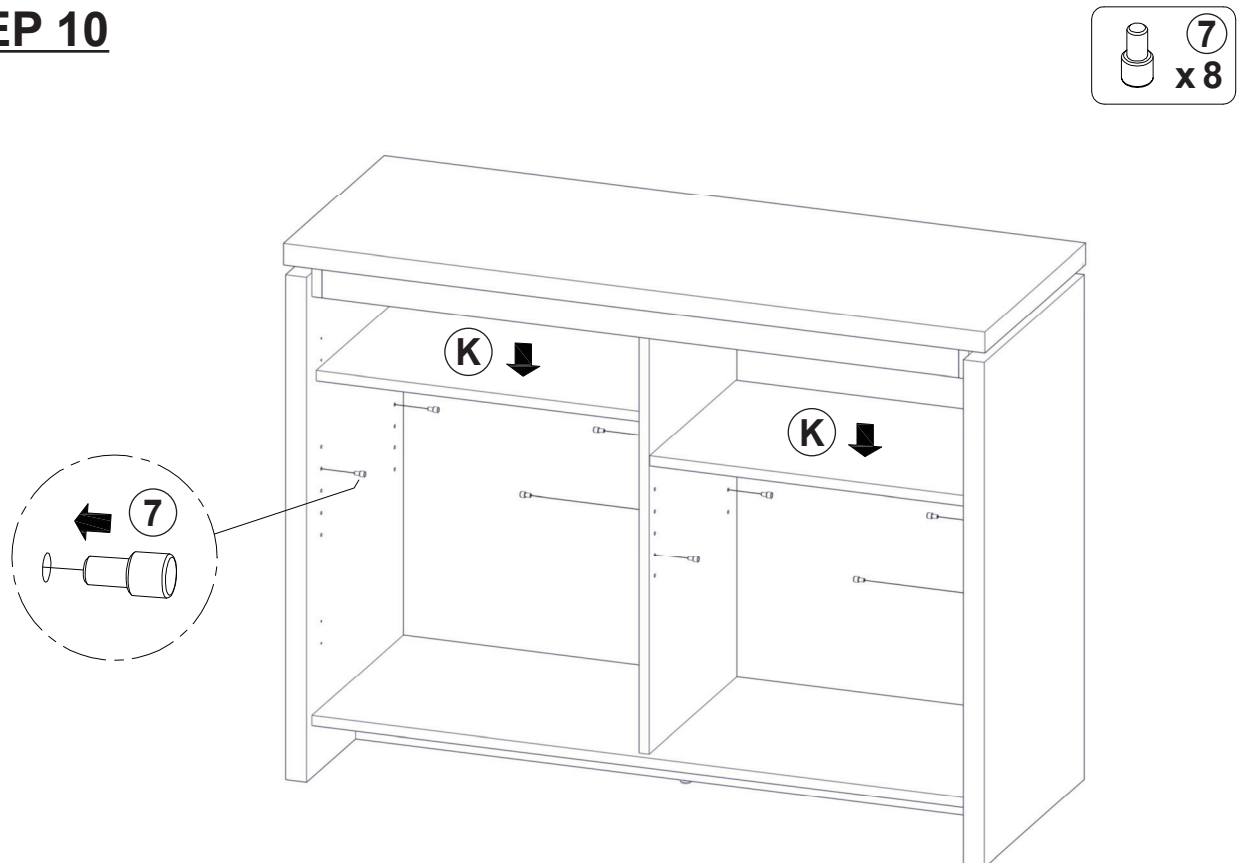
Apply glue on all wooden dowels to ensure integrity of the structure.



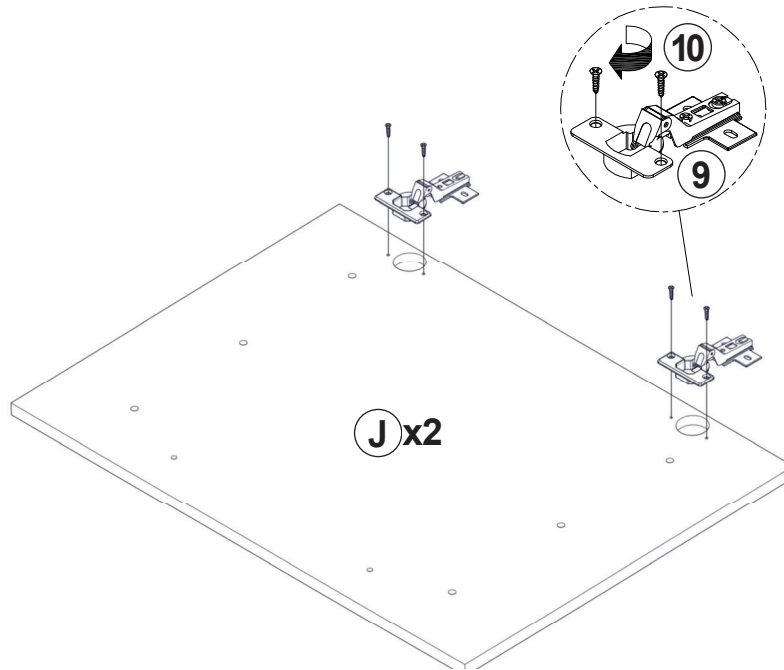
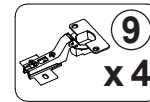
## STEP 9



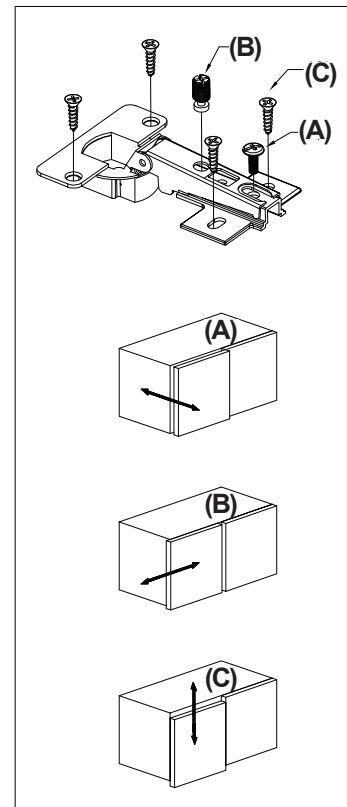
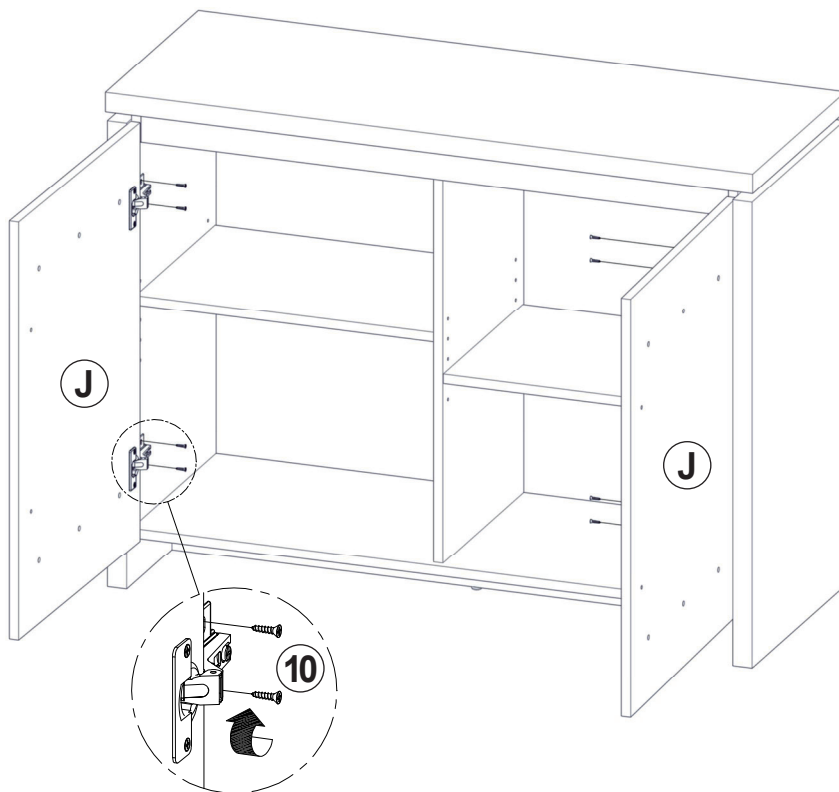
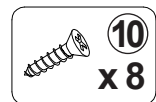
## STEP 10



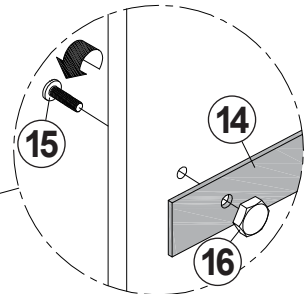
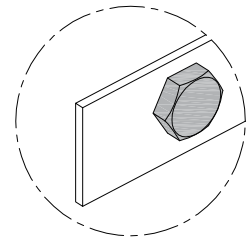
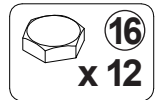
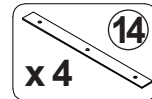
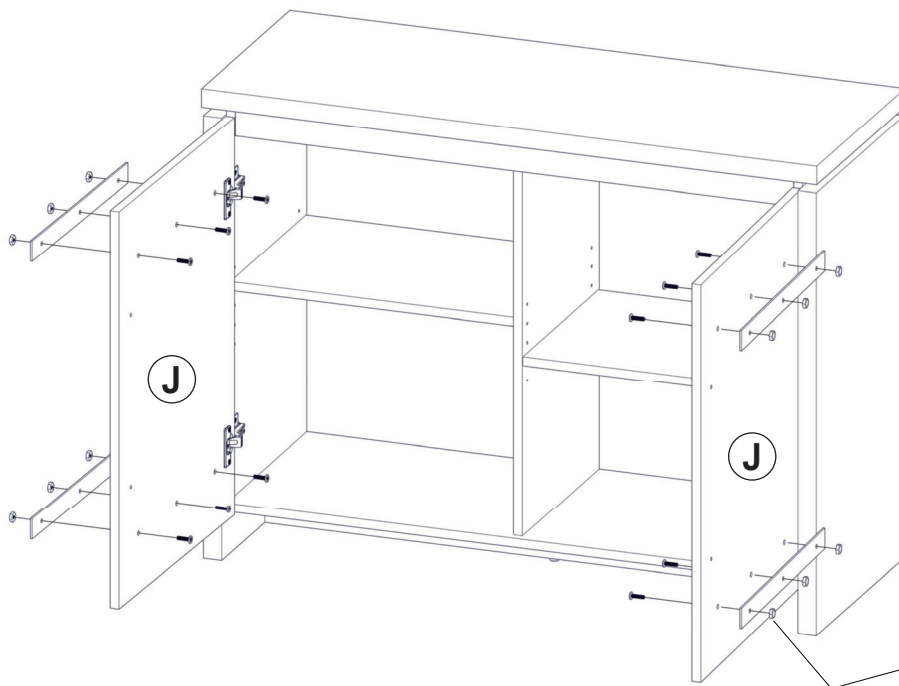
# STEP 11



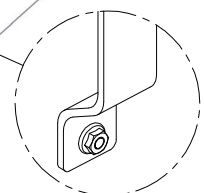
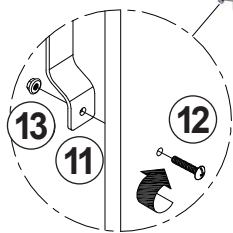
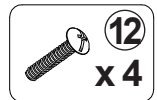
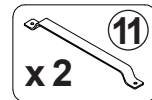
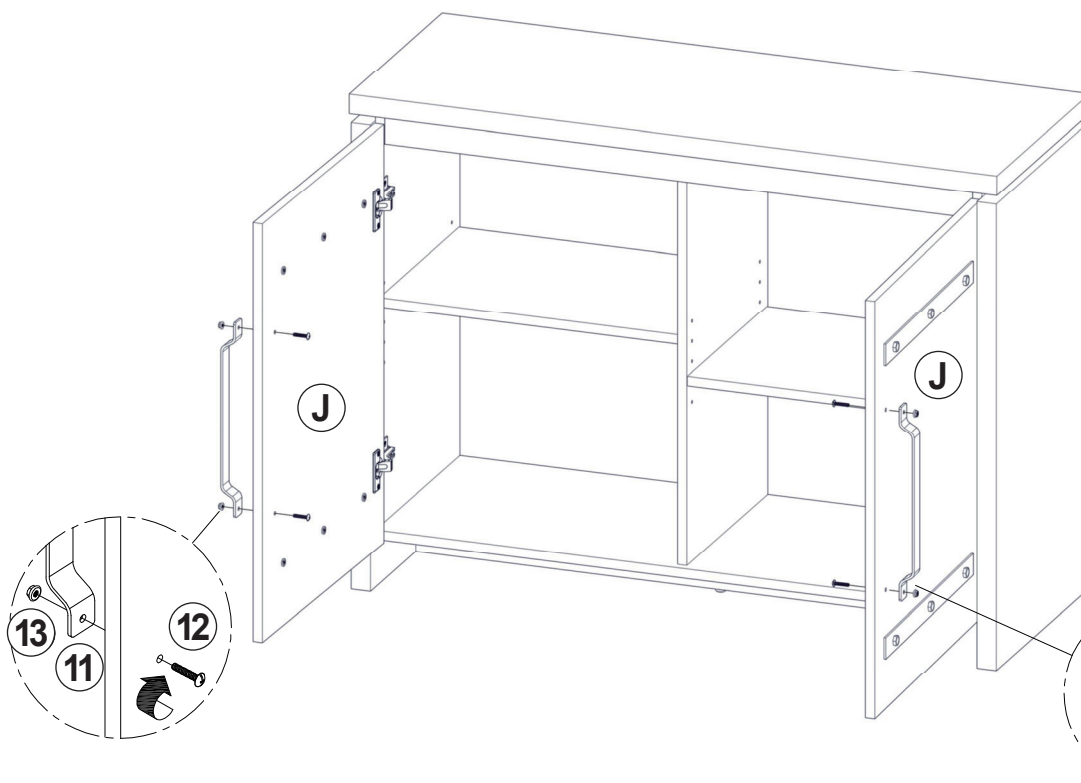
# STEP 12



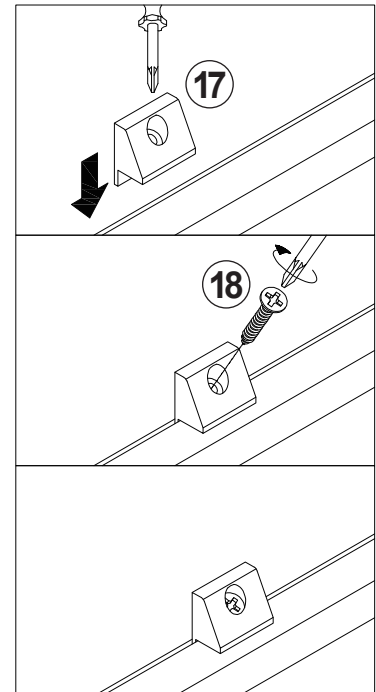
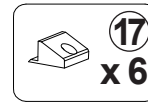
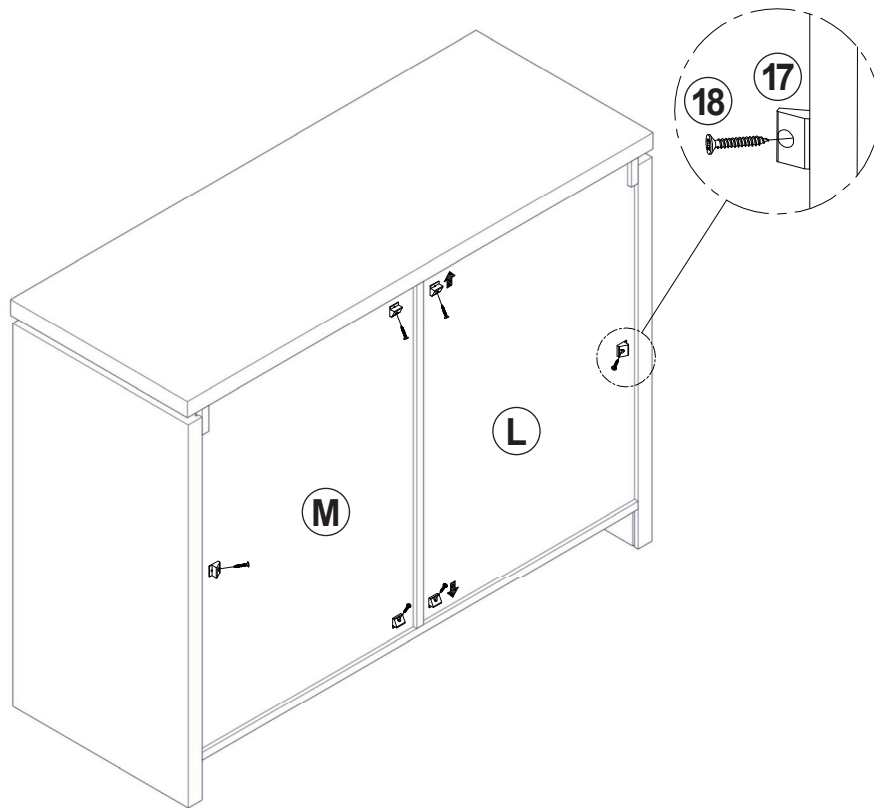
## STEP 13



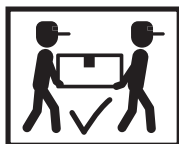
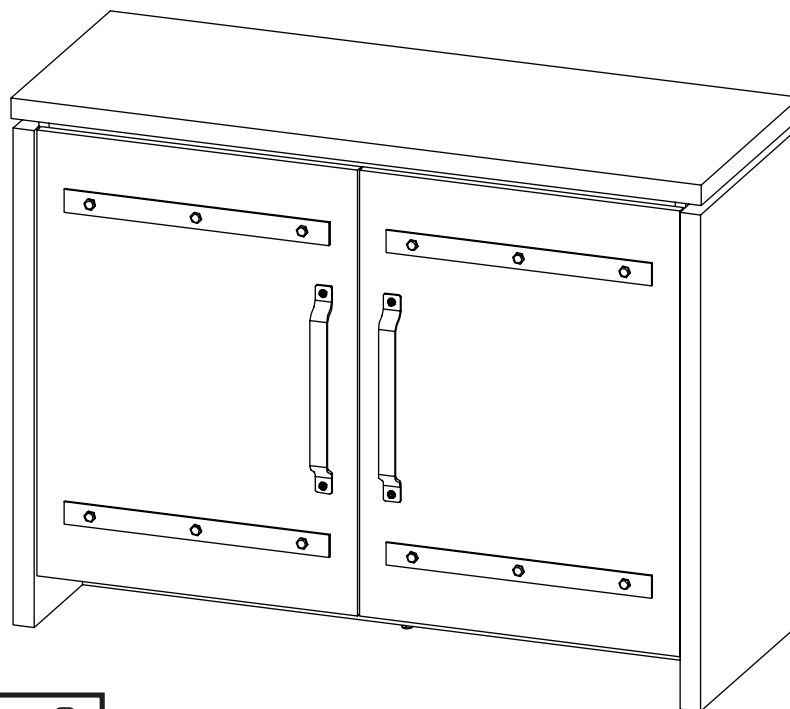
## STEP 14

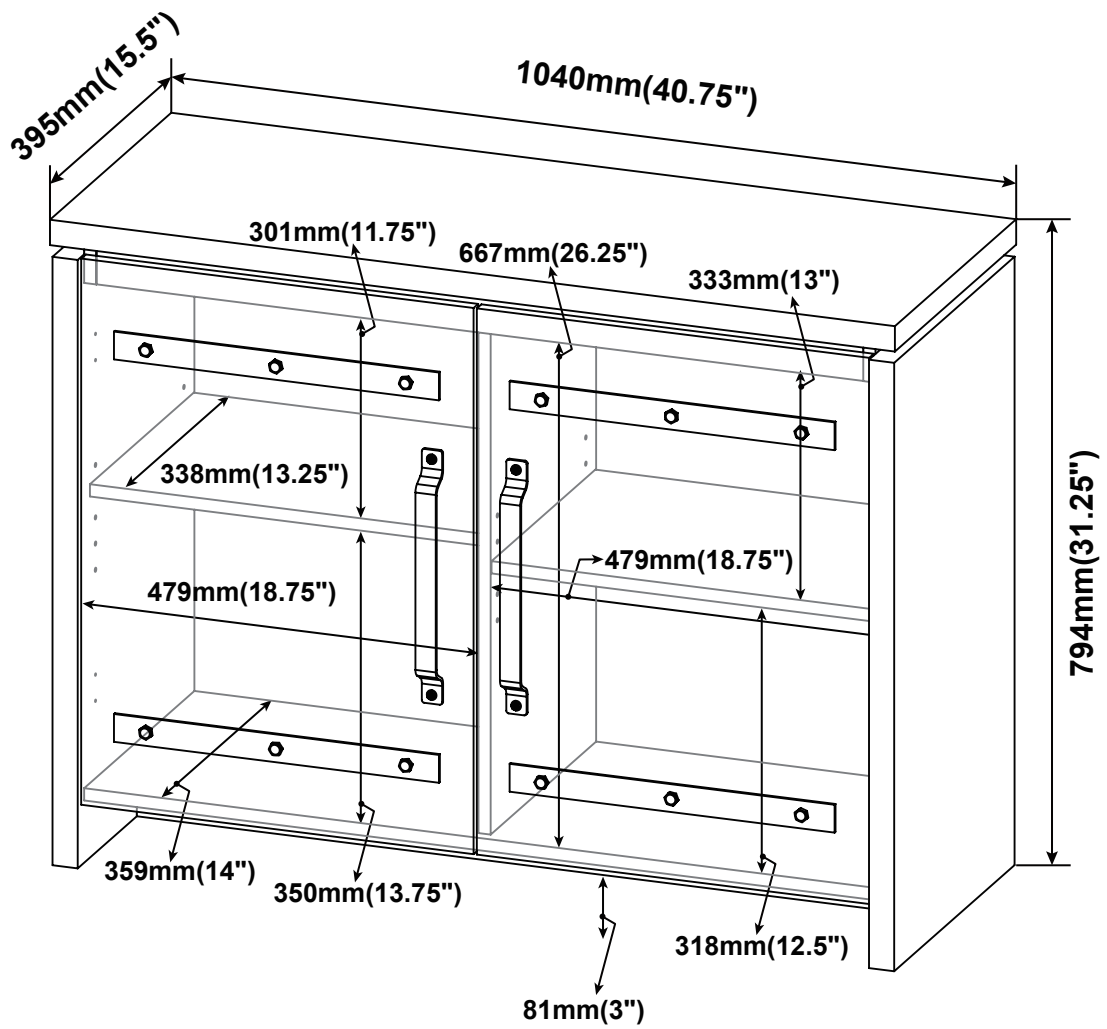


## STEP 15



## STEP 16 COMPLETE





Note : Dimension tolerance  $\pm 5\%$

# ANTI-TIPPING INSTALLMENT INSTRUCTIONS

## FURNITURE TIPPING RESTRAINT

### WARNING

Injury may result from tipping furniture.  
This restraint may protect against tipping furniture.  
Do not allow children to climb on furniture.  
This restraint is not a substitute for proper adult supervision.  
Failure to detach this restraint before moving the furniture  
may result in injury and damage.

1. To attach the anti-tip strap, securely mount one end to the top of the case piece with the 5/8" screw.
2. Position the case piece against the wall in the desired location.
3. Pull the anti-tip strap taut and mark the position of where you will secure the other end on the wall.
4. Drill a 1-1/4" hole in the spot you marked.
5. Tap in plastic wall plug.
6. Fasten anti-tip strap with wall screw provided.

**(Please install the anti-tipping kit in the middle of the case piece if only have one set of anti-tipping kit.)**

